

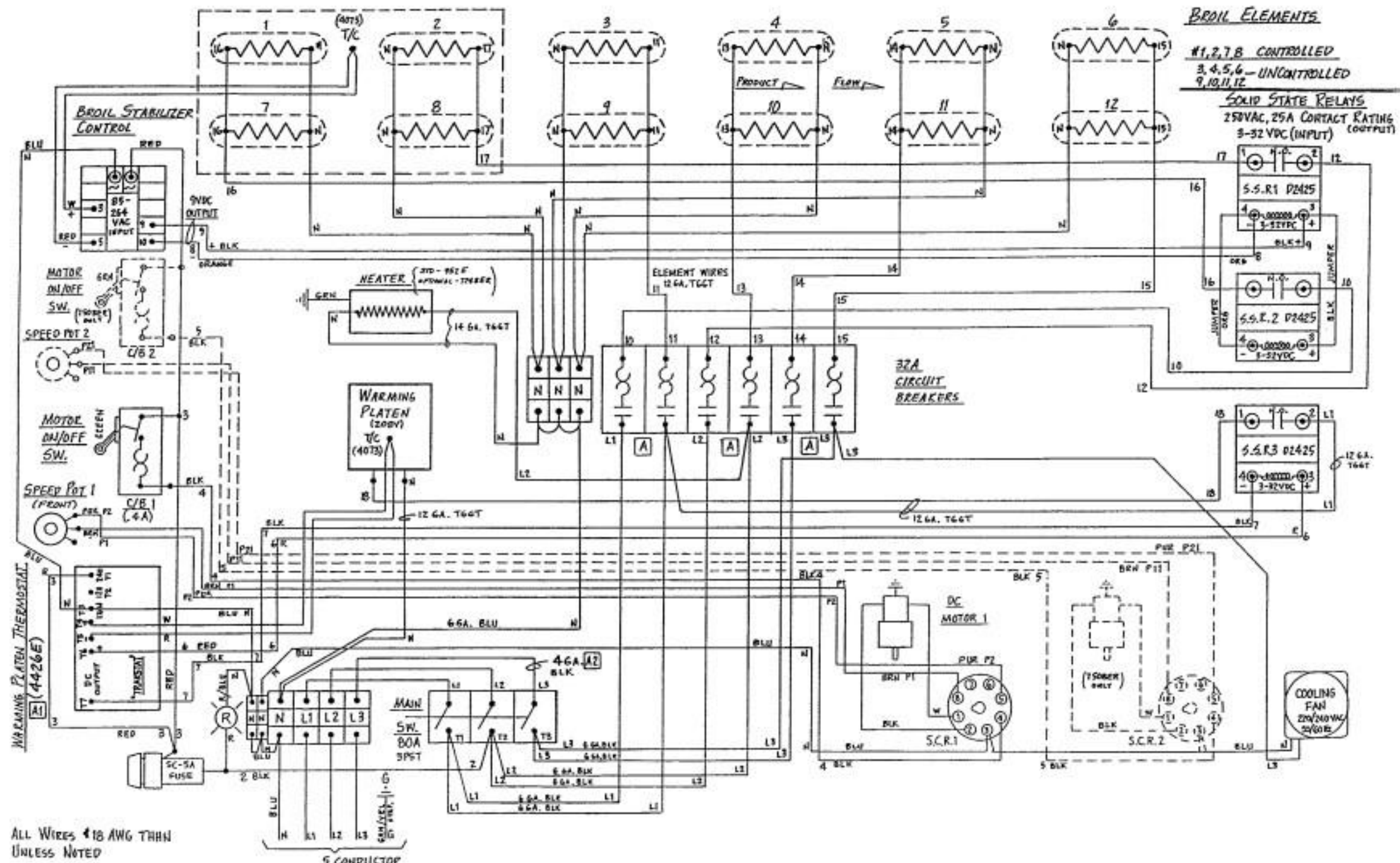
BROIL ELEMENTS
 #1,2,7,8 CONTROLLED
 3,4,5,6 - UNCONTROLLED
 9,10,11,12

SOLID STATE RELAYS
 250V, 25A CONTACT RATING
 3-32VDC INPUT

ALL WIRES #18 AWG THIN UNLESS NOTED

ELEMENT P/N 4081, 240V, 2200 W → 200V √ 120V, 3 φ, 50/60 HZ, 66A
 • P/N 4075, 250V, 2200 W → 230V √ 120V, 3 φ, 50/60 HZ, 66A

A NEW PLATEN THERMOSTAT, DELETE C/B JUMPERS, INCREASE WIRE SIZE. WAS (1) P/N 4011-P24RC (2) 6GA. 11-7-95 PZ



BROIL ELEMENTS
 #1,2,7,8 CONTROLLED
 3,4,5,6 - UNCONTROLLED
 9,10,11,12

SOLID STATE RELAYS
 250VAC, 25A CONTACT RATING
 3-32VDC (INPUT)

ALL WIRES #18 AWG THIN UNLESS NOTED

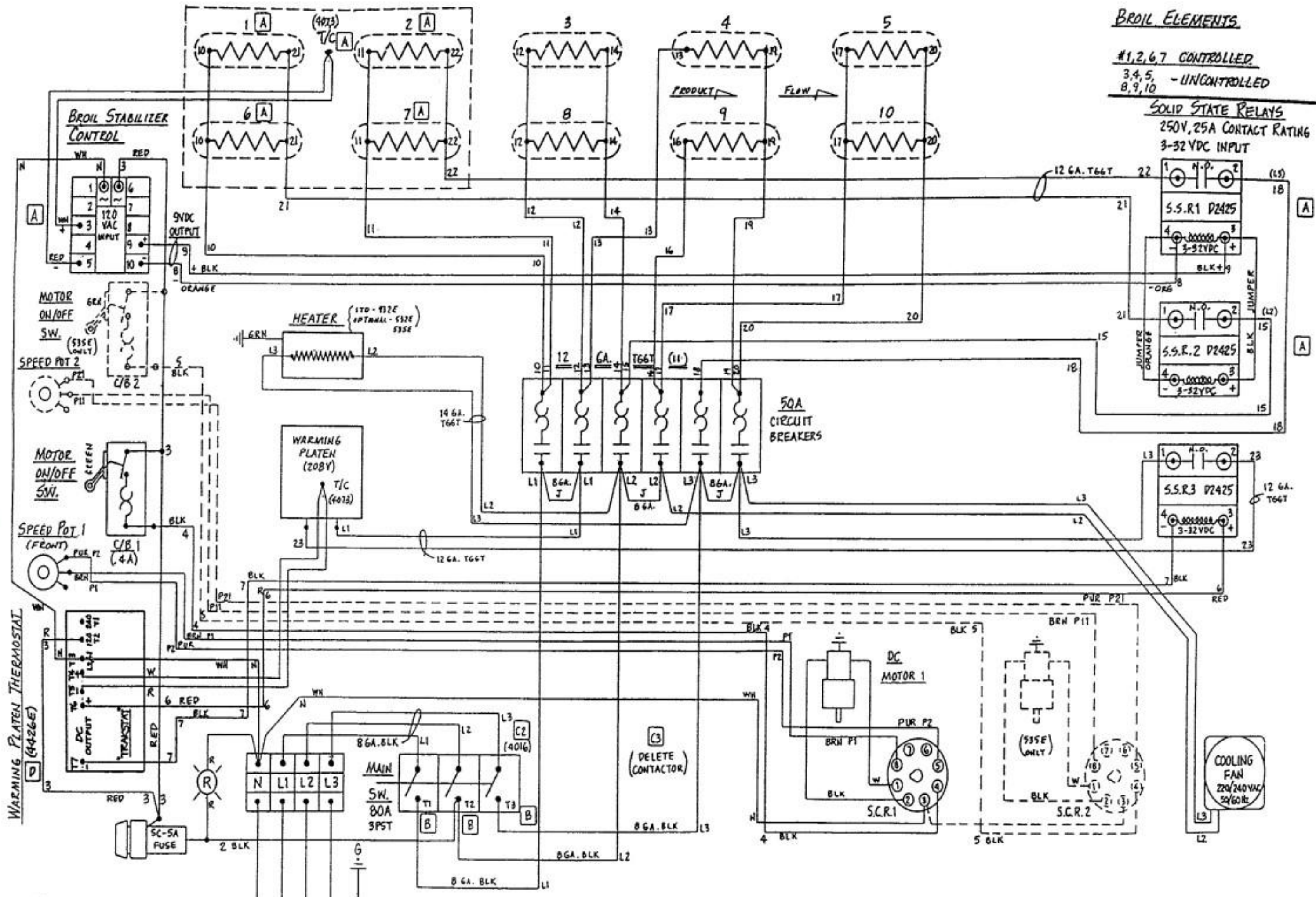
ELEMENTS
 #4075, 250V, 2200 W → 380V/220V, 3 P, 50/60 HZ, 39 A
 #4076, 265V, 2200 W → 415V/240V, 3 P, 50/60 HZ, 39 A

A NEW PLATEN THERMOSTAT, DELETE C/D JUMPERS, INCREASE WIRE SIZE. WWS1 1) PH 4471-P244C 2) 6 GA. 11-7-93 P2

Broil Elements

#1,2,6,7 CONTROLLED
 3,4,5,8,9,10 - UNCONTROLLED

SOLID STATE RELAYS
 250V, 25A CONTACT RATING
 3-32VDC INPUT



17

ALL WIRES #18 AWG THHN
 UNLESS NOTED

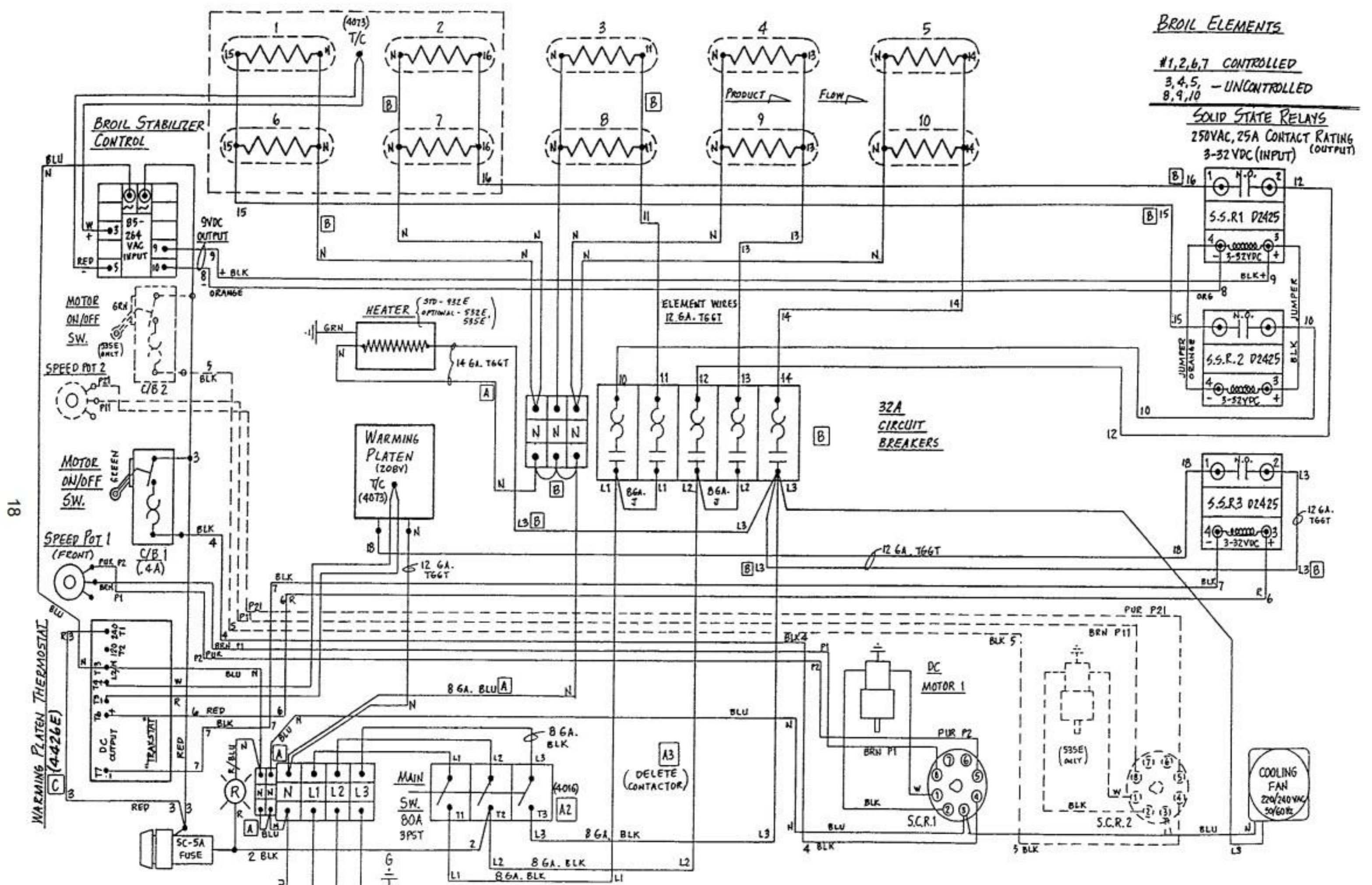
ELEMENT P/N 4081, 240V, 2200 W → 208V Y120V, 3R, 50/60HZ, 55A
 * P/N 4075, 250V, 2200 W → 230V Y120V, 3R, 50/60HZ, 56A

D	NEW PLATEN THERMOSTAT, WAS P/N 4077-2240C	11-7-95	DZ
C	CHANGE PLATEN ATC, MAIN SW., DELETE CONTACTOR, ADD 2ND SCR. WAS: [1] 44073C [2] 4059 [3] 4067	5-10-95	DZ
B	RE-LABEL CONTACTOR FOR U.L.	9-16-94	DZ
A	RE-ORGN. WAS: (6) ELEMENTS, (1) ATC, (1) SSR, (1) T/C	7-14-93	DZ

BROIL ELEMENTS

#1,2,6,7 CONTROLLED
 3,4,5, - UNCONTROLLED
 8,9,10

SOLID STATE RELAYS
 250VAC, 25A CONTACT RATING
 3-32VDC (INPUT) (OUTPUT)



18

ALL WIRES #18 AWG THIN UNLESS NOTED

ELEMENTS
 #4075, 250V, 2200 W → 380V Y 220V, 3 φ, 50/60 HZ, 31 A
 #4076, 265V, 2200 W → 415 V Y 240V, 3 φ, 50/60 HZ, 30A

C	NEW PLATEN THERMOSTAT. WAS 4071-P24DC	11-7-95	DZ
B	OMIT (1) C/B, ADD (1) "N" BLOCK	6-20-95	DZ
MODIFY "NEUTRAL" CIRCUITS FOR C.E APP'L, CHANGE MAIN SW., DELETE CONTACTOR			
A	WAS: [1] 4403-DC [2] 4-059 [3] 4067	5-10-95	DZ