

OPERATING INSTRUCTIONS

PRINCE CASTLE INC. 
WORLDWIDE

Grill Wiper Model No. 233-71

Redi-Gril®



Prince Castle's 233-71 Grill Wiper is perfect for removing excess grease from the griddle or Teflon® coverings on topside cookers. The silicone rubber blade prevents damage of surfaces, and is reversible for long-life. Designed to withstand temperatures up to 450° F (232° C), the grill wiper features a heat resistant handle for operator safety.

LIMITED WARRANTY

This product is warranted to be free from defects in material and/or workmanship for a period of one (1) years from date of original installation, not to exceed 30 months from date of shipment from our factory.

Any component which proves to be faulty in material and/or workmanship will be replaced or repaired (at the option of Prince Castle, Inc.) without cost to the customer for parts or labor.

This warranty is subject to the following exceptions/conditions:

- Any use of non-genuine Prince Castle replacement spare parts voids this warranty. All genuine Prince Castle replacement spare parts are warranted for ninety (90) days from date of purchase.
- Damage caused by carelessness, neglect, and/or abuse (e.g., dropping, tampering or altering parts), equipment damaged in shipment, by fire, flood or an act of God is not covered under this warranty.

PRINCE CASTLE INC. 
WORLDWIDE

355 East Kehoe Blvd. • Carol Stream, IL 60188

Tel: (630) 462-8800 • Fax: (630) 462-1460

Toll Free: 1-800-PCASTLE

After you have removed the Grill Wiper from the carton, inspect the unit for signs of damage. If there is damage to the unit:

- Notify carrier within 24 hours after delivery.
- Save carton and packing materials for inspection purposes.
- Contact the Prince Castle Customer Service Department at 1-800-722-7853 to arrange for a replacement to be sent.

Verify that all parts have been received.

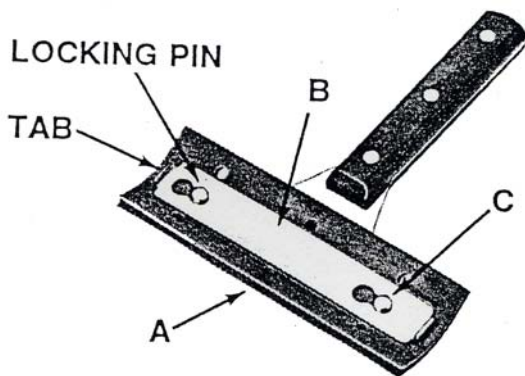
WIPER BLADE ROTATION OR REPLACEMENT PROCEDURE

The model number 233-71 is designed to tightly retain the wiper strip during use and to be disassembled without tools or small loose fasteners. The following procedure should be used to rotate the wiper strip to provide a new edge or to replace it completely.

IMPORTANT: The grill wipers should be rotated on a daily basis to ensure a longer life.

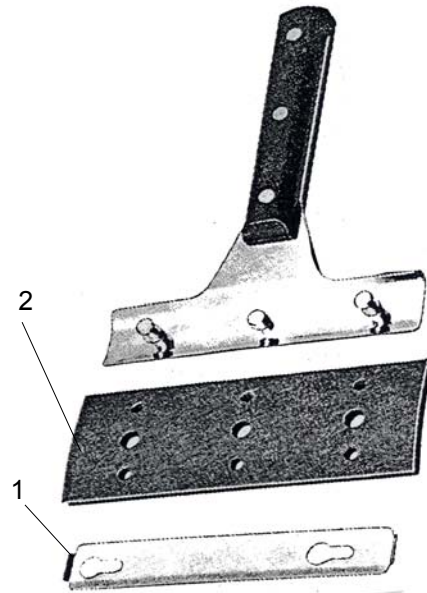
1. Soften the wiper strip "A" by squeezing the two long edges together several times. (Soaking in hot soapy water aids disassembly.) See figure 1.

figure 1



3. Remove locking strip "B" to free wiper blade and rotate and replace as required.;
4. Before reassembling, soften wiper strip "A" by squeezing the two long edges together several times. Lubricated underside of locking strip "B" with shortening.
5. Place wiper strip "A" over locking pins "C". Squeeze strip edges together while pressing down over the pins.
6. Replace locking strip "B" over locking pins, firmly press down and slide locking strip over pins to the lock position.

PARTS LIST



ITEM	PART NO.	DESCRIPTION
1	233-82	Locking Strip
2	233-86	Wiper Strip (Pkg of 4)

2. Place grill wiper on table or flat surface, press down firmly on locking strip "B" and slide sideways.

IMPORTANT: If slide cannot be moved, use pliers to facilitate disassembly by gripping over tab closest to the key-hole slot and the nearest locking pin. Squeezing the pliers moves the locking slide so the locking pin is released through the larger portion of the key-slot.