

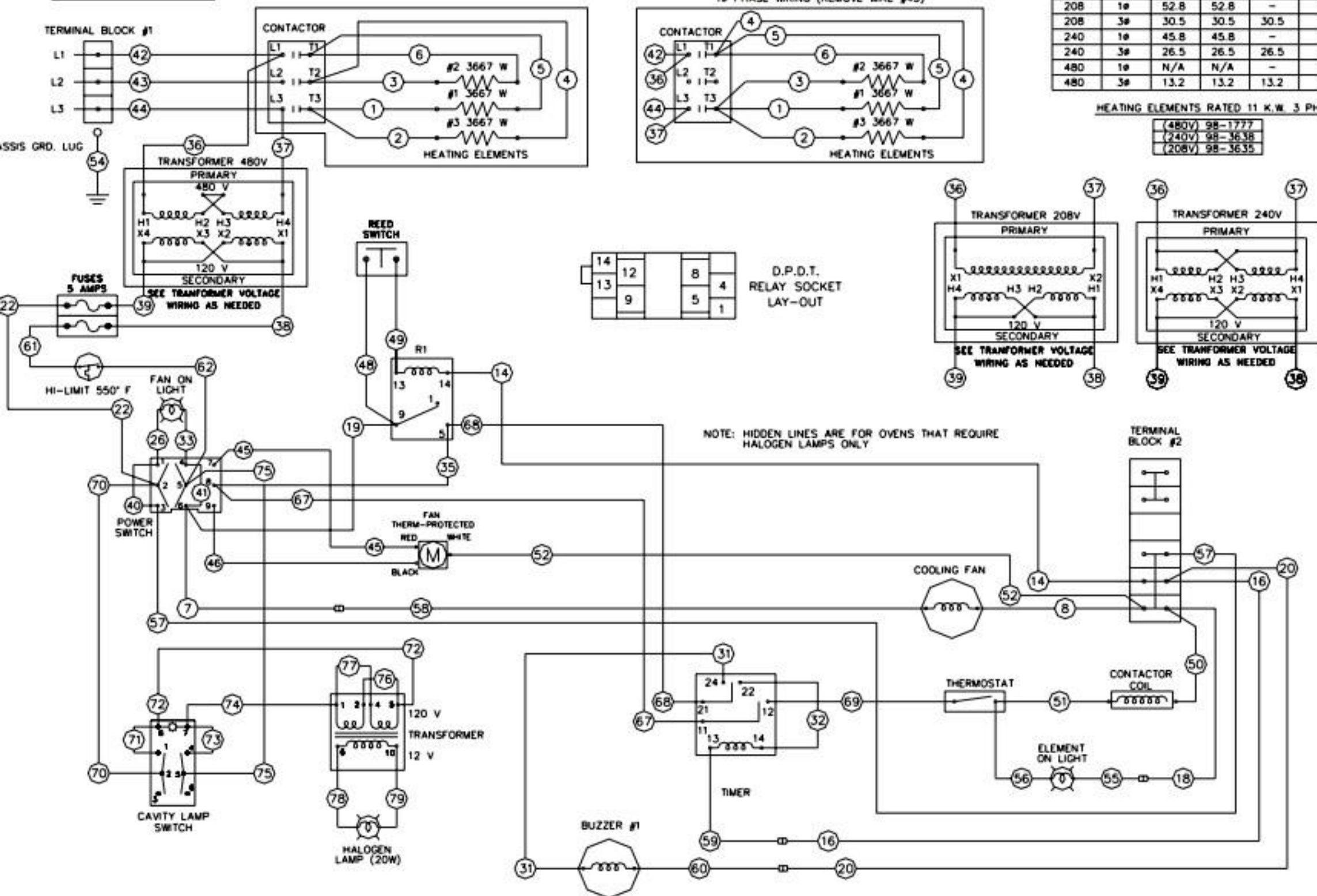
3ø PHASE WIRING

1ø PHASE WIRING (REMOVE WIRE #43)

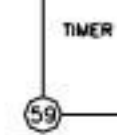
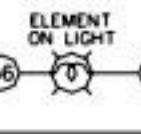
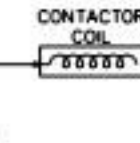
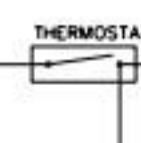
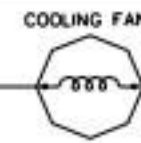
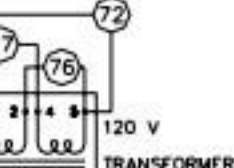
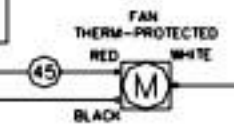
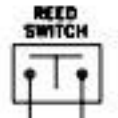
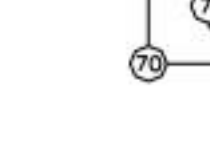
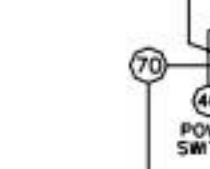
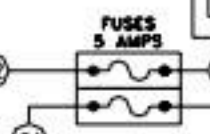
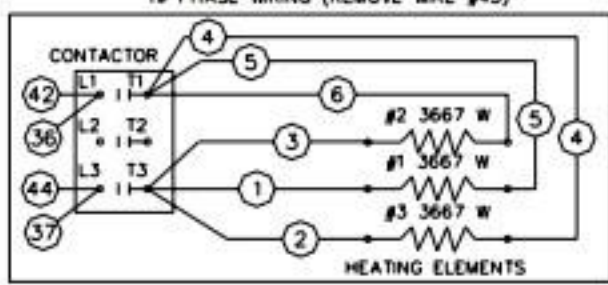
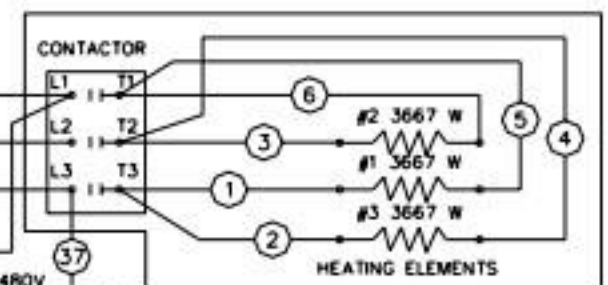
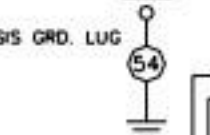
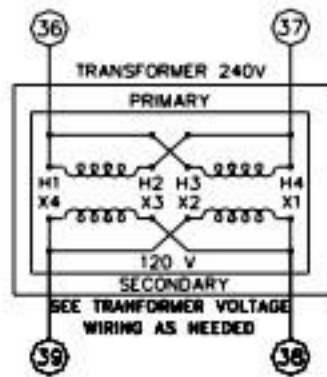
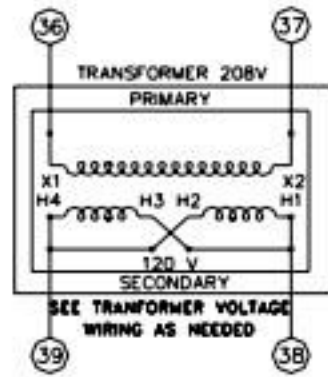
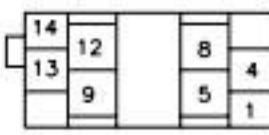
VOLTS 60 HZ	PHASE	AMPS PER LINE WIRE			KW
		L1	L2	L3	
208	1ø	52.8	52.8	-	11
208	3ø	30.5	30.5	30.5	11
240	1ø	45.8	45.8	-	11
240	3ø	26.5	26.5	26.5	11
480	1ø	N/A	N/A	-	11
480	3ø	13.2	13.2	13.2	11

HEATING ELEMENTS RATED 11 K.W. 3 PH.

(480V) 98-1777
(240V) 98-3638
(208V) 98-3635



NOTE: HIDDEN LINES ARE FOR OVENS THAT REQUIRE HALOGEN LAMPS ONLY



TERMINAL BLOCK #2