

EIGHT PACK EGG COOKER W/COVER

WARRANTY

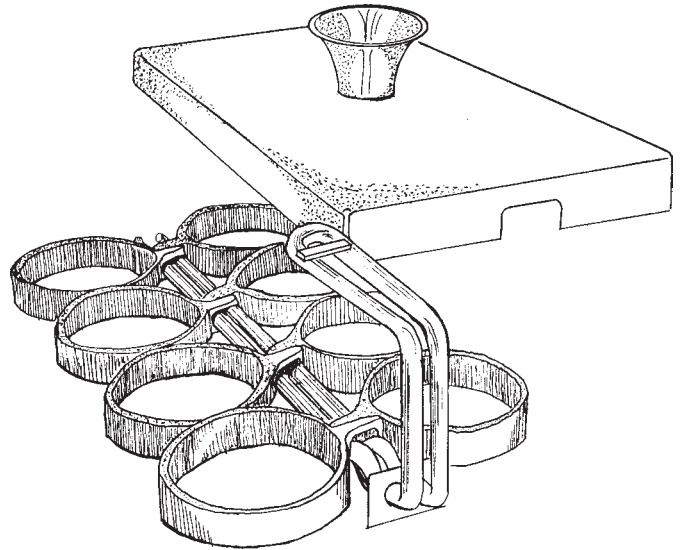
This product is warranted to be free from defects in material and/or workmanship for a period of one year from date of original purchase or 18 months from date of shipment from our factory. Any component which proves faulty in material and/or workmanship within the warranty period will be replaced or repaired (at the option of Prince Castle, Inc.) without cost to the customer for parts or labor.

This warranty is subject to the following exception/conditions:

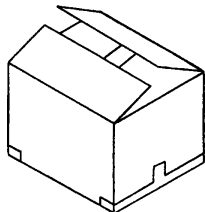
Damage caused by carelessness, neglect, and/or abuse and misuse (e.g., dropping, tampering with or improper maintenance) is not covered. Equipment damaged in shipment, by fire, flood or an act of God is not covered.

Any use of non-genuine Prince Castle replacement spare parts voids this warranty. All genuine Prince Castle replacement spare parts are warranted for ninety (90) days from date of purchase.

Model No 261-EC



INSPECT CARTON



Remove product from carton.....

If damaged:

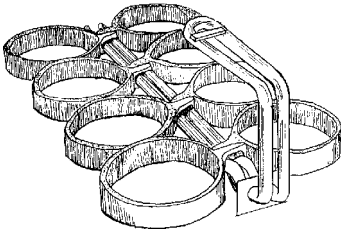
- Notify carrier within 24 hours.
- Save carton and packing material.
- Prince Castle can assist with freight claims and arranging for a replacement unit if field repair is impossible. Contact your Dealer, Distributor or Prince Castle.
- If you find a part, or parts missing call 1-800-722-7853 and ask for the Customer Sales Department. If you have a question with operation ask for the Service Department.

PARTS

- 1 Always refer to the Parts List in this manual. You will then have a part number for reference when ordering.
2. All replacement parts should be purchased from your local Prince Castle Service Center (See Enclosed List). Outside the U.S.A contact your local Prince Castle Distributor.
3. RETURNS: All inoperable warranty parts must be returned to the Service Center.

HOW TO USE

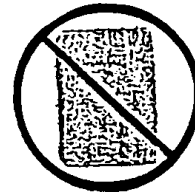
1. Slide egg rings on Ring Holder by alternating left and right side.
2. Set the **Egg Cooker** on a **Flat Grill** making sure egg rings are sitting flat against the grill. **NOTE: If egg rings are not flat against the grill the eggs will leak out the bottom.**
3. Break eggs into egg rings and place the cover on top of the cooking eggs. Pour warm water into cup on top of the cover. **CAUTION: Do not overfill cup.**
4. Temperature of grill should be set at 265 - 275 degrees depending on if your grill is electric or gas. Recommended Cook time is 2 minutes and 30 seconds



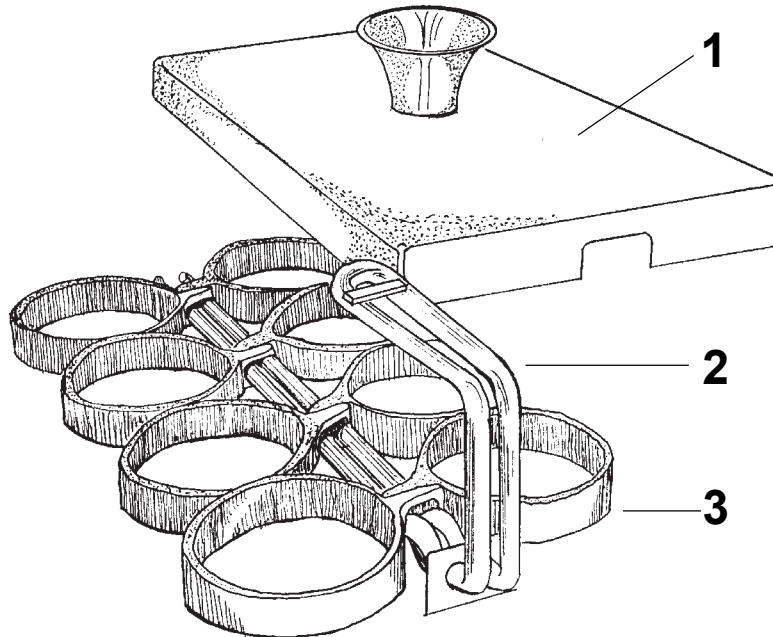
HOW TO CLEAN

Remove Egg Rings from Ring Holder by sliding off one at a time alternating left and right side, this procedure should be followed when re installing the Egg Rings. Wash Cover and Egg Rings with mild soap and water. A green colored scouring pad can be used to clean the cover and frame.

IMPORTANT: Do not use abrasive materials (scotch brite pads, cleansers, steel wool) on egg rings as this can cause damage



EXPLODED VIEW



PARTS LIST

ITEM	PART NO.	DESCRIPTION
1	261-23	COVER WITH WATER CUP
2	261-22	RING HOLDER
3	261-24	EGG RING