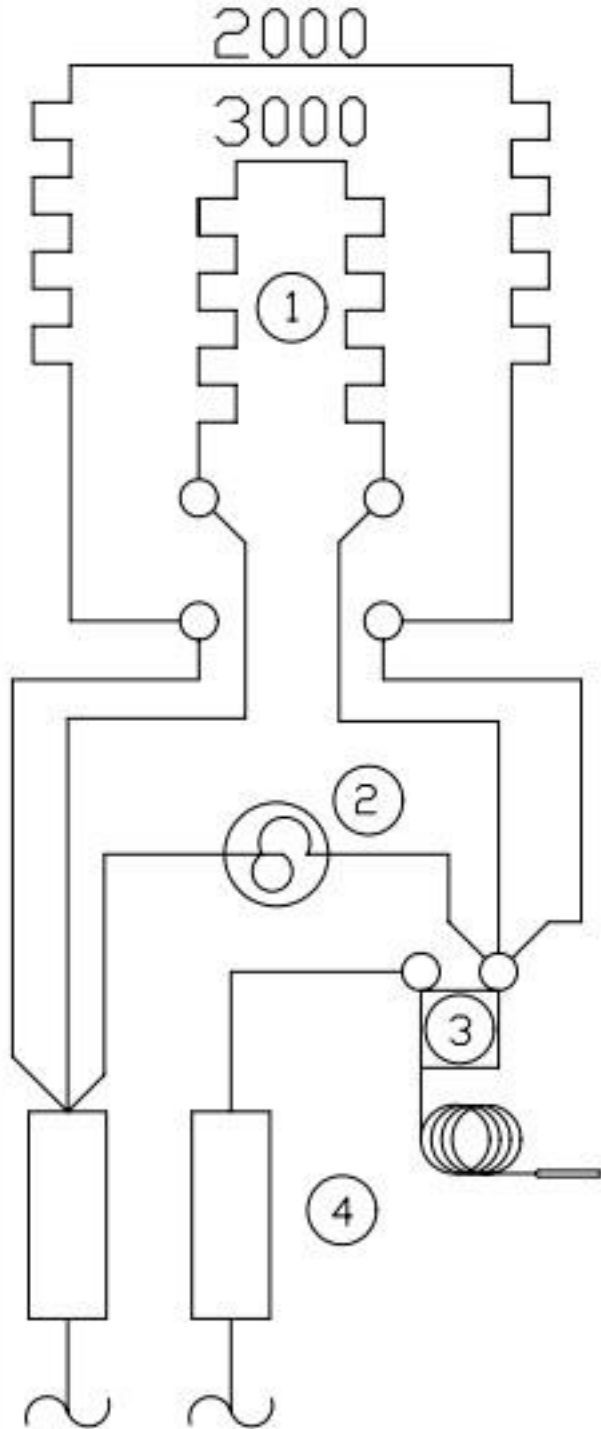


C

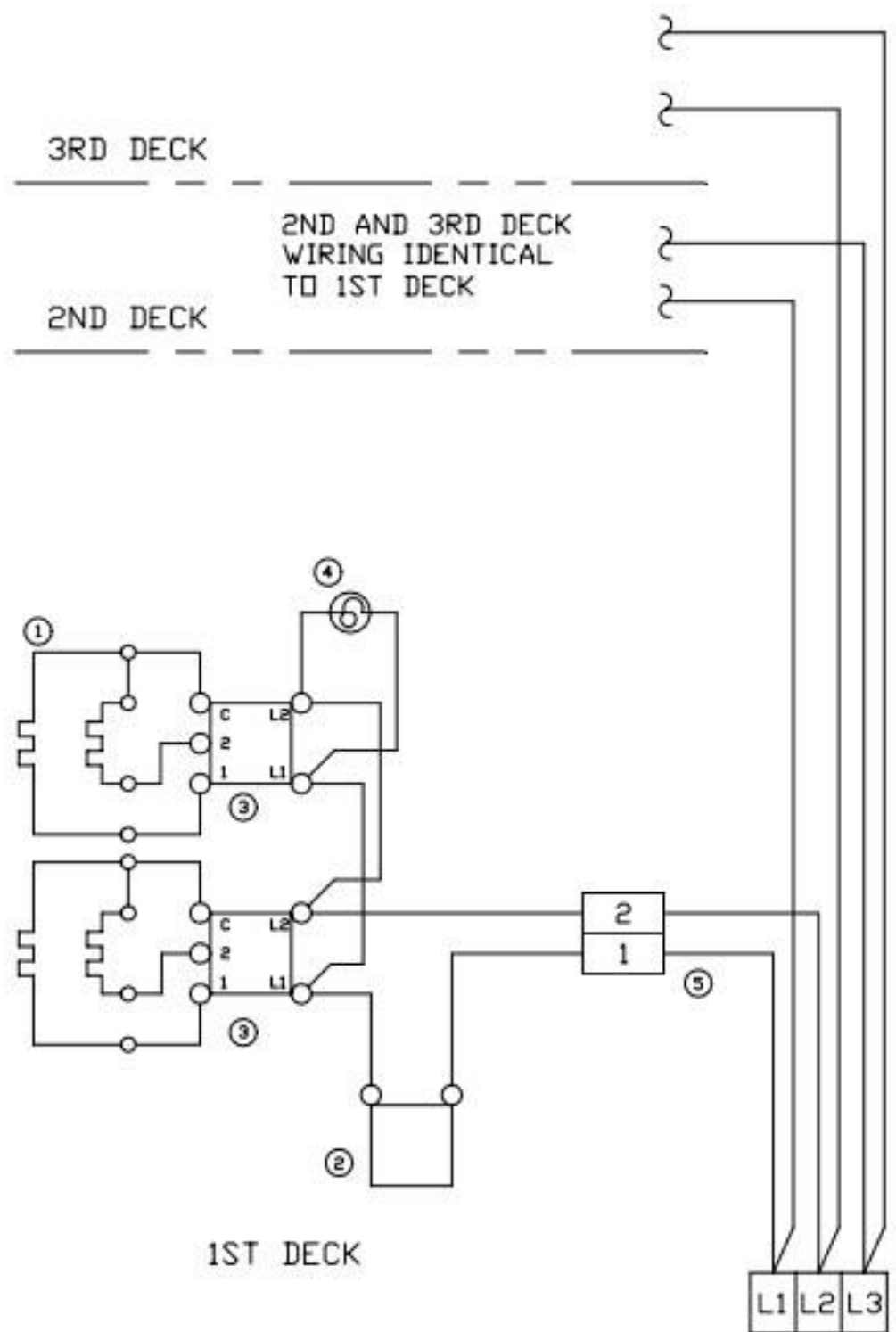
SPEED UNITS



A

GRILL

OVEN WIRING



2ND AND 3RD DECK WIRING IDENTICAL TO 1ST DECK

1ST DECK

TERMINAL BLOCK

MODEL DESIGNATION	TOP ARRANGEMENT			TOP SECTION WIRE DIAGRAMS					
	SEC-1	SEC-2	SEC-3	A	B	C			
36S-0	A	A	C						
36S-2	B	B	B						
36S-3A	B	B	C						
36S-10	A	A	A						
36S-20	C	C	C						
				A	GRILL	B	HOT TOP	C	SPEED UNITS

CONNECT WIRES FROM RANGE TOP OR ADDITIONAL DECKS TO LOWER OVEN TERMINAL BLOCK AS SHOWN AT RIGHT

ELECTRICAL CONNECTIONS

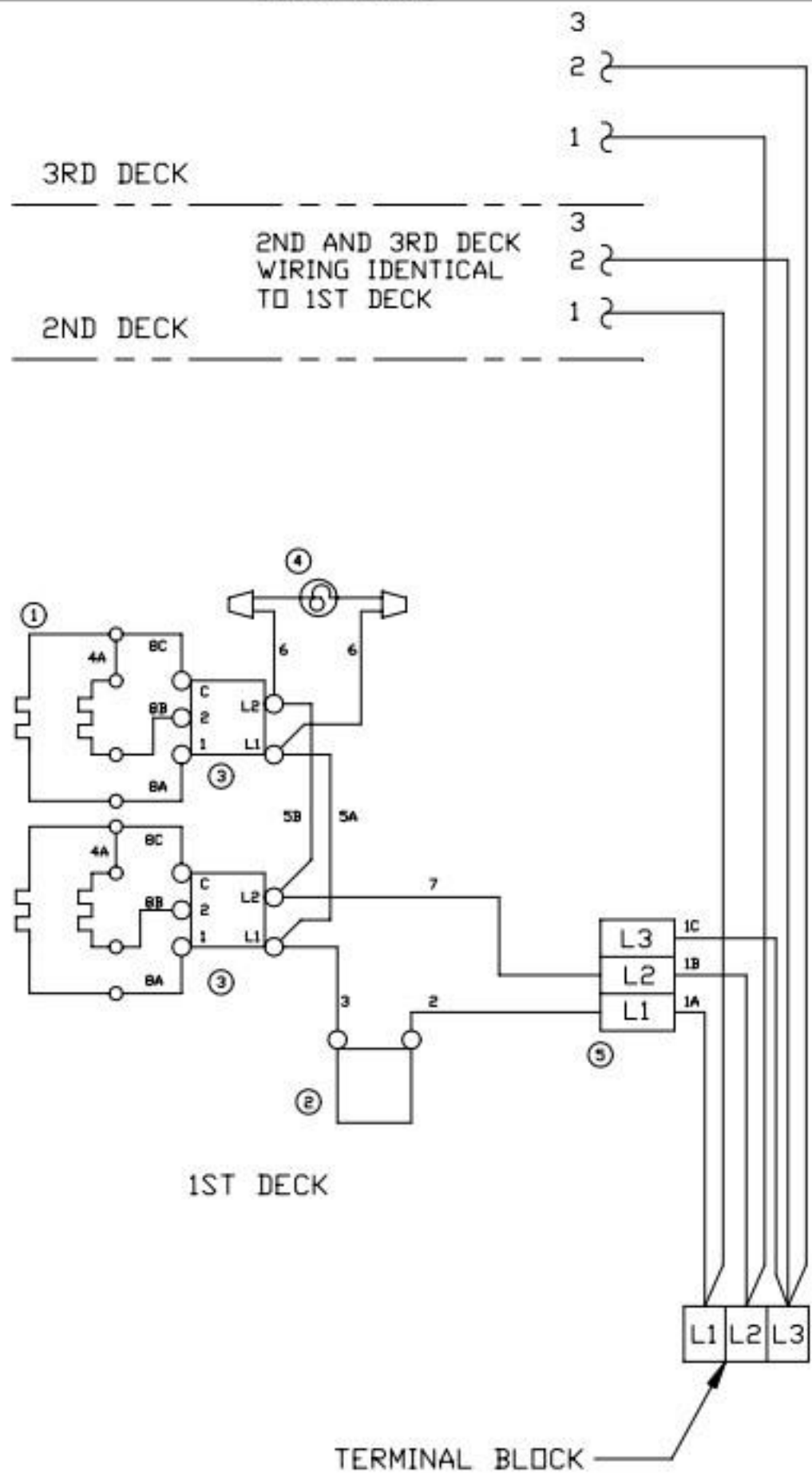
POWER SUPPLY	TERMINAL BLOCK	RANGE TOP	OVEN		
			1st DECK	2nd DECK	3rd DECK
SINGLE PHASE	L1	1-3-5	1	1	1
	L2	2-4-6	2	2	2
THREE PHASE	L1	3	1	1	-
	L2	1-5	2	-	1
	L3	2-4-6	-	2	2

ELECTRICAL DATA

MODEL NUMBER	LOADING					KW TOTAL	THREE PHASE AMPS						SINGLE PHASE AMPS	
	KW PER PHASE						208 VOLT			240 VOLT			208V	240V
	L1	L2	L2	L3	L3		L1	L2	L3	L1	L2	L3		
36S RANGE	6.0	10.0	10.0	5.0	5.0	21.0	45.8	66.7	62.5	39.7	57.8	54.2	101.0	87.5
LA-136S OVEN	6.0	0.0	0.0	0.0	0.0	6.0	28.8	28.8	0.0	25.0	25.0	0.0	28.8	25.0
LA-236S	6.0	0.0	0.0	6.0	6.0	12.0	50.0	28.8	28.8	43.3	25.0	25.0	57.7	50.0
LA-336S	6.0	6.0	6.0	6.0	6.0	18.0	50.0	50.0	50.0	43.3	43.3	43.3	86.5	75.0

USE ON ALL E SERIAL NUMBERS

OVEN WIRING



2ND AND 3RD DECK WIRING IDENTICAL TO 1ST DECK

1ST DECK

TERMINAL BLOCK

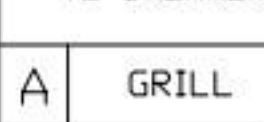
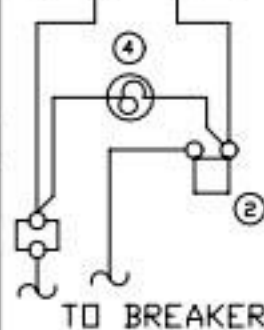
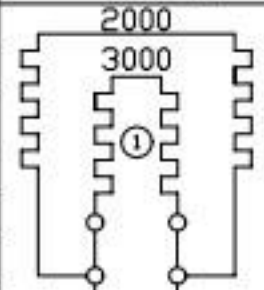
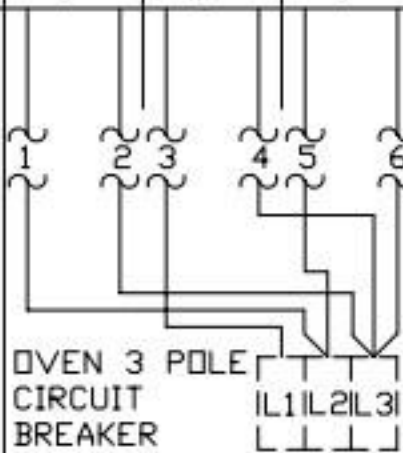
MODEL DESIGNATION

TOP ARRANGEMENT

TOP SECTION WIRE DIAGRAMS

MODEL DESIGNATION	TOP ARRANGEMENT		
	SEC-1	SEC-2	SEC-3
36S-0	A	A	C
36S-2	B	B	B
36S-3A	B	B	C
36S-10	A	A	A
36S-20	C	C	C

- ① HEAT ELEMENT
- ② THERMOSTAT
- ③ 3 HEAT SWITCH
- ④ PILOT LAMP
- ⑤ CIRCUIT BREAKER
- ⑥ SPEED UNITS
- ⑦ 6 HEAT SWITCH



A GRILL B HOT TOP C SPEED UNITS

ELECTRICAL CONNECTIONS

CONNECT WIRES FROM RANGE TOP TO OVEN CIRCUIT BREAKER. CONNECT WIRES FROM ADDITIONAL DECKS TO LOWER OVEN TERMINAL BLOCK

POWER SUPPLY	RANGE TOP CONNECT TO OVEN CIRCUIT BREAKER	UPPER OVENS CONNECT TO BOTTOM DECK TERMINAL BLOCK			
		1st DECK	2nd DECK	3rd DECK	
THREE PHASE	L1	3	1	1	-
	L2	1-5	2	-	1
	L3	2-4-6	-	2	2

ELECTRICAL DATA

MODEL NUMBER	LOADING						KW TOTAL	AMPS		
	KW PER PHASE							480 VOLT		
	L1	L2	L2	L3	L3	L1		L1	L2	L3
36S RANGE	6.0	10.0	5.0	21.0	19.9	28.9	27.1			
LA-136 OVEN	6.0	0.0	0.0	6.0	12.5	12.5	0.0			
LA-236S	6.0	0.0	6.0	12.0	21.7	12.5	12.5			
LA-336S	6.0	6.0	6.0	18.0	21.7	21.7	21.7			

USE ON ALL E SERIAL NUMBERS