

OPERATING INSTRUCTIONS

Lettuce Witch® Model No. 912-C



Get all the bite size lettuce you need with Prince Castle's fast, and easy Lettuce Witch®. Cuts a whole carton of lettuce in just minutes with no bruising or tearing. Designed for use in commercial kitchens, this slicer features precision stainless steel cutting blades, and durable cast aluminum construction for long reliable service.

SPECIFICATION

912-C (1" square cut)	Dimensions
Width	13 ⁵ / ₈ " (34.6 cm)
Depth	18 ¹ / ₄ " (43.3 cm)
Height	30" (76.2 cm)
Shipping Weight	30lbs. (13.6 kg.)

TABLE OF CONTENTS	PAGE
Installation	2
Operating	2
Cleaning	3
Maintenance	3
Parts List.....	4

LIMITED WARRANTY

This Product is warranted to be free from defects in material and / or workmanship for a period of (2) years from date of original installation not to exceed 30 months from date of shipment from our factory, **with the exception of blades**. Blades are warranted to be free from defects at time of delivery only.

Any component which proves to be faulty in material and/or workmanship will be replaced or repaired (at the option of Prince Castle, Inc.) without cost to the customer for parts or labor.

This warranty is subject to the following exceptions/ conditions:

- Use of any non-genuine Prince Castle parts voids this warranty. All genuine Prince Castle replacement spare parts are warranted for ninety (90) days from date of purchase.
- This equipment is portable; charges for on location service (e.g., trip charges, mileage) are not included in the provisions of this warranty.
- Damage caused by carelessness, neglect, and/or abuse (e.g., dropping, tampering or altering parts), equipment damaged in shipment, by fire, flood or an act of God is not covered under this warranty.

INSTALLATION


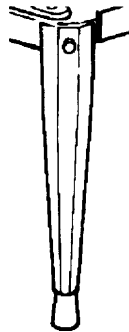
1. After you have removed the Lettuce Witch® from the carton, inspect the unit for signs of damage. If there is damage to the unit:
 - Notify carrier within 24 hours after delivery.
 - Save carton and packing materials for inspection purposes.
 - Contact your Prince Castle Dealer for replacement or the Prince Castle Customer Sales Department at 1-800-722-7853 if purchased directly.
2.  Verify that all parts have been received.
CAUTION: Blades are extremely sharp.
3. Attach the four legs to the main frame using the (4) 1/4-20 screws provided.

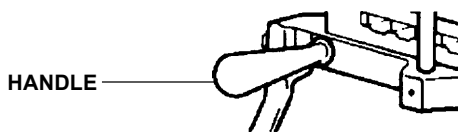
figure 1

APPLY ONE DROP OF PROVIDED ADHESIVE TO EACH LEG RETAINING SCREW PRIOR TO INSTALLATION.



4. Attach handle to hole located on the left side of the frame.

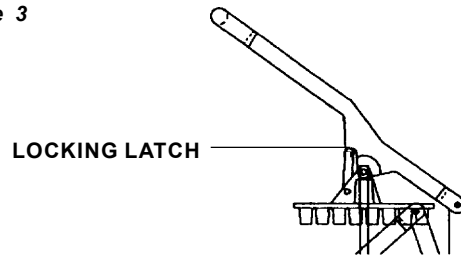
figure 2



OPERATION

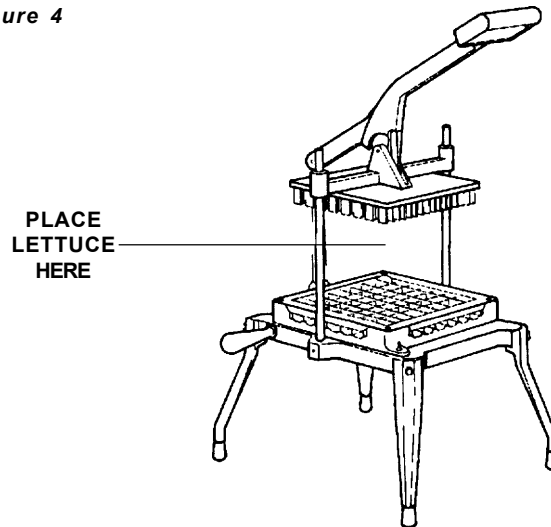
1. Remove core prior to cutting.
2. Release locking latch which holds handle in up position. See figure 3.

figure 3



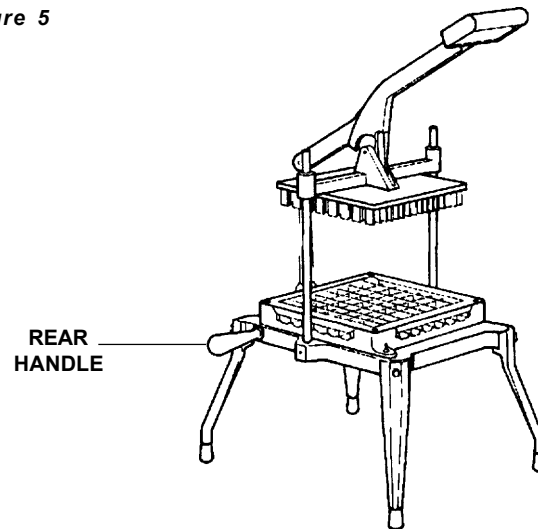
3. With handle in upright position place lettuce on top of blades with the core side down.

figure 4



4. Grasp the rear handle with your left hand. Using your right hand, quickly lower the pusher head with one firm, rapid stroke.

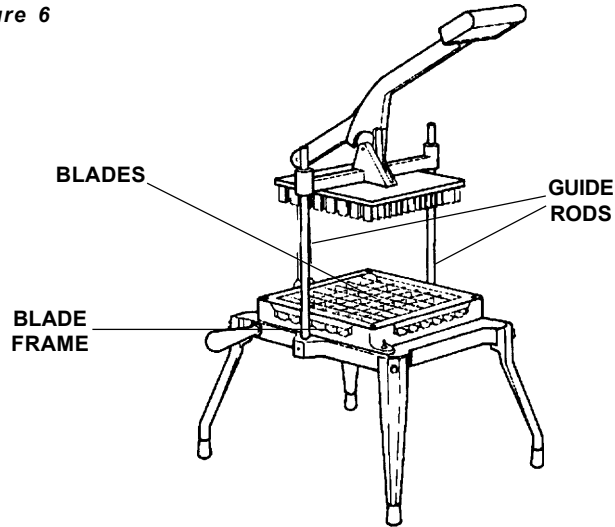
figure 5



MAINTENANCE TIPS

1. Lubricate guide rods daily.
2. Check blades for damage daily before use.

figure 6

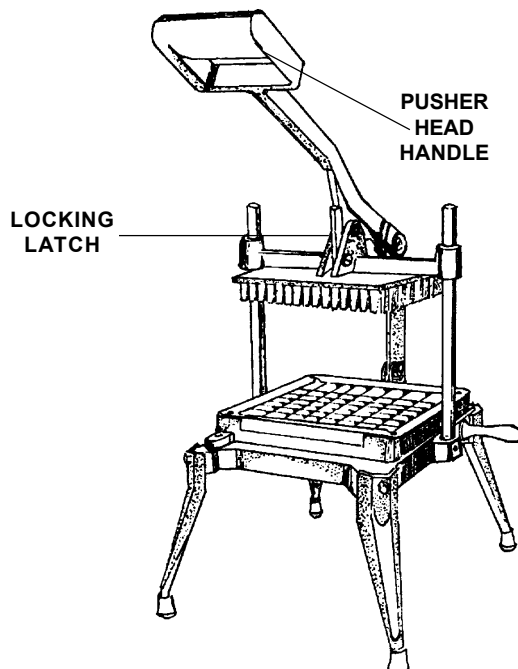


3. Bent, nicked or dull blade sets must be replaced immediately. See parts list for correct number.

CLEANING

1. Lift the pusher head handle to upright position, and flip the locking latch. This locks the handle into the upright position.

figure 7

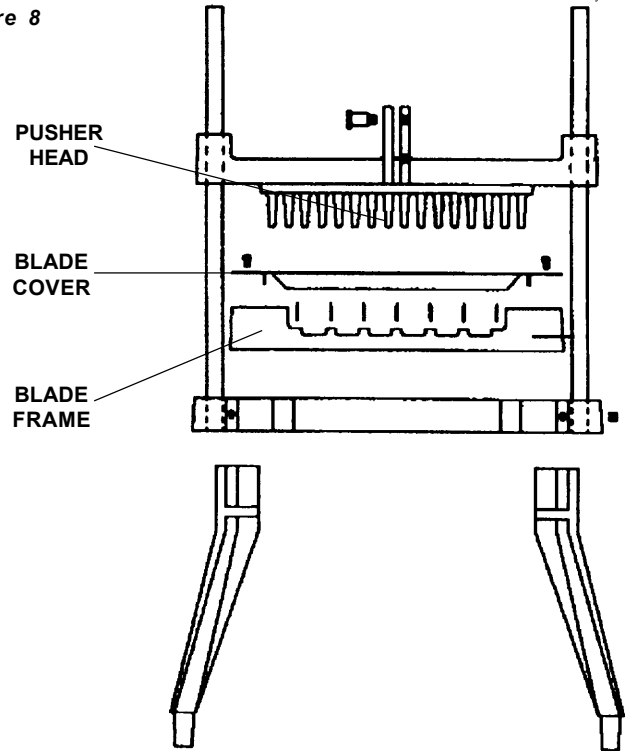


2. Loosen the (4) screws which hold the blade cover to the blade frame. Remove frame and carefully lift the blade set out.



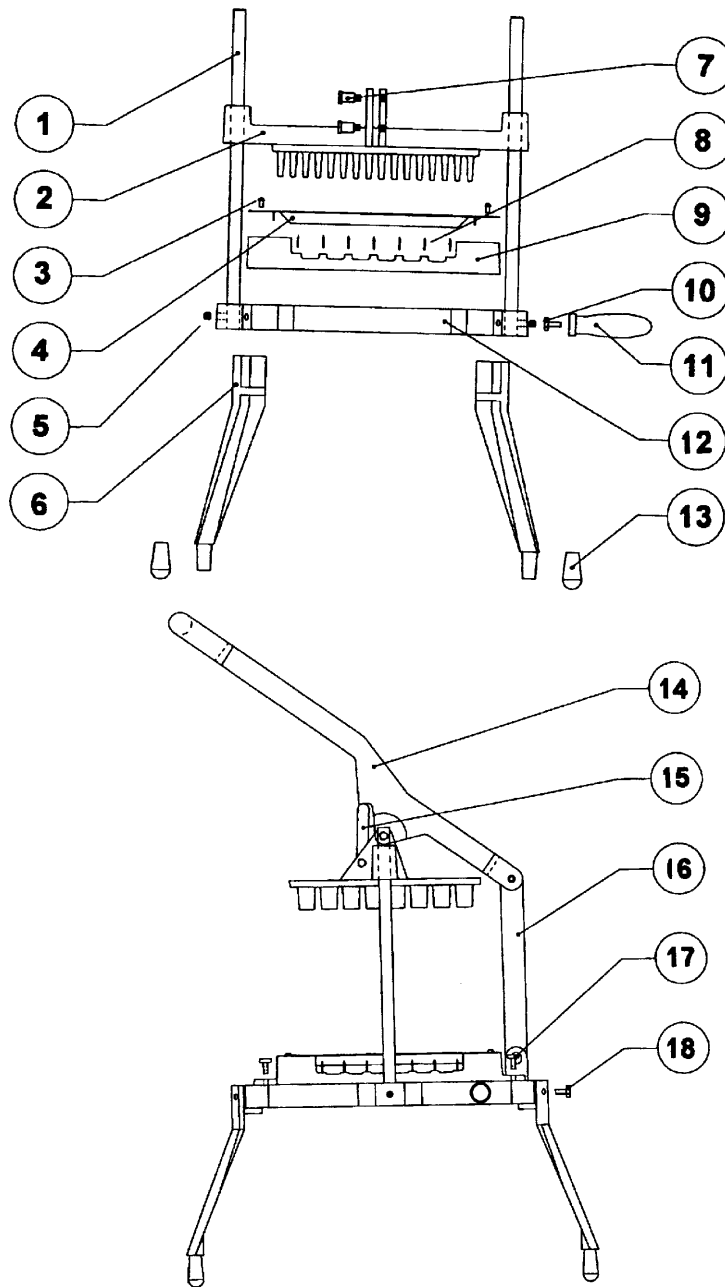
CAUTION: Blades are very sharp.

figure 8



3. Immerse blades and unit into hot soapy water. (Use a cleaning spray if available.)
4. Rinse thoroughly.
5. Use the pot cleaning brush provided to clean blades from the reverse side.
6. Let air dry.

EXPLODED VIEW



PARTS LIST

ITEM	PART NO.	DESCRIPTION	ITEM	PART NO.	DESCRIPTION
1	912-9	Guide Rod	11	911-25	Rear Handle
2	912-135	Pusher Head	12	912-131	Frame
3	76-445	Screw	13	89-959S	Rubber Foot (Pkg. of 4)
4	912-151	Blade Cover	14	912-137	Arm
5	76-602	Set Screw	15	912-144	Locking Latch
6	912-133	Leg	16	912-145	Pivot Link
7	912-148	Shoulder Screw	17	76-582	Thumb Screw
8	912-156	Replacement Blades	18	76-190	Head Hex Screw
9	912-153	Blade Frame	19	73-029	Acorn Nut (Not Shown)
10	76-311	Bolt			