

AccuTemp[®]
INNOVATIVE COOKING EQUIPMENT SOLUTIONS

ACCUSTEAM[™]
HIGH PRODUCTION GRIDDLE

G2 EGF ELECTRIC GRIDDLE PARTS MANUAL



ACCUTEMP PRODUCTS INC
11919 John Adams Dr. New Haven, IN 46774
www.accutemp.net Email: parts@accutemp.net
1-800-480-0415

 **WARNING**

The State of California enacted the California Safe Drinking Water and Toxic Enforcement Act of 1986, (Prop. 65), which “prohibits any person in the course of doing business from knowingly and intentionally exposing any individual to a chemical known to the State of California to cause cancer or reproductive toxicity without first giving clear and reasonable warning to such individuals.”

The Governor’s Scientific Advisory Panel added Carbon Monoxide to the list of hazardous chemicals known to cause reproductive harm.

In order to establish full compliance with Proposition 65, a yellow warning label has been attached to each gas fired unit manufactured by AccuTemp Products, Inc. Carbon monoxide would not be present in concentrations that would pose a “significant risk” to the consumer when the equipment is installed, operated and maintained as follows:

1. Installed in accordance with all local codes, or in the absence of local codes, with the current National Fuel Gas Code Z223.1, latest addenda.
2. Installed under a properly designed and operating exhaust hood.
3. Connected to the type of gas for which the unit is equipped.
4. Proper appliance pressure regulator installed on the gas supply line and adjusted for the manifold pressure marked on the rating plate.
5. Adequate air supply to the unit and adequate clearance around the flue.
6. The equipment is operated in the manner intended using the proper utensil for that type of appliance.
7. Keep the equipment clean and have it checked periodically.
8. Burner air adjustments, mechanical maintenance and repairs should be performed by qualified service personnel.

WARNING SYMBOL DEFINITIONS

SYMBOL DEFINITIONS

Symbols are used to attract your attention to possible dangers. They are only effective if the operator uses proper accident prevention measures. Some of the symbols are boxed text; while others maybe just picture icons. Please give this information the respect they deserve for safe operation.

Symbol Icons

Below are definitions of the symbol icons used in this manual.



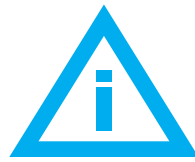
DANGER

Indicates an imminently hazardous situation; which, if unchanged, will result in death or serious injury.



CAUTION

Indicates a potentially hazardous situation; which, if unchanged, will result in minor or moderate injury.



NOTE

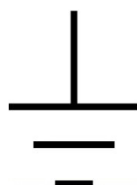
Advises the reader of information or instructions, vital to the operation or maintenance of the equipment.



CAUTION - HOT SURFACE



DANGEROUS VOLTAGE



EARTH GROUND

SAFETY PRECAUTIONS



ELECTRICAL SHOCK HAZARD WHILE WORKING ON ENERGIZED EQUIPMENT.

Unplug equipment prior to removing any components effected by electricity.

BURN HAZARD WHILE WORKING ON STEAM PRODUCING EQUIPMENT.

When accessing the cooking chamber, be sure to always stand back while slowly opening the door to allow the chamber to vent off the steam. Never reach into the cooking chamber before it has completely vented off the steam.

Never reach into the cooking chamber or handle hot items without wearing the proper heat protective gloves. Steam coming out of the holes on the right side of the cooking chamber is invisible and can cause severe burns.

Water inside the steam chamber, creating steam, has a temperature of 212°F and will cause burns if touched or spilled on the skin.

PERSONNEL INJURY HAZARD WHILE PICKING UP OR MOVING HEAVY EQUIPMENT.

Always use 2 people and proper lifting techniques when picking-up, moving, or inverting heavy equipment.

SLIP & FALL HAZARD WHILE WORKING ON WATER HOLDING EQUIPMENT.

Keep the floor in front of the equipment clean and dry. If spills occur, clean them up immediately to avoid potential injuries.

Table of Contents

G2 ELECTRIC GRIDDLE MODELS EGF 24" 36" 48"

Fig: 1.1 Control Panel Assembly - Page 6

Fig: 1.2 Chassis Module, Electric - Page 7 & 8

Fig: 1.3 Grease Tray Assembly - Page 9

Fig: 1.4 Top & Bottom Chamber - Page 10

Fig: 1.5 Frame Assembly - Page 11

Fig: 1.6 Electrical Components - Page 12

Fig: 1.7 Electrical Components - Page 13

Fig: 1.8 Electrical Components S/N 24934 & Down - Page 14

Fig: 1.9 Electrical Components S/N 24935 & Up - Page 15

Fig: 2.0 Parts Quick Reference List - Page 16

MODELS

EGFXXXA24XX-XX

EGFXXXA36XX-XX

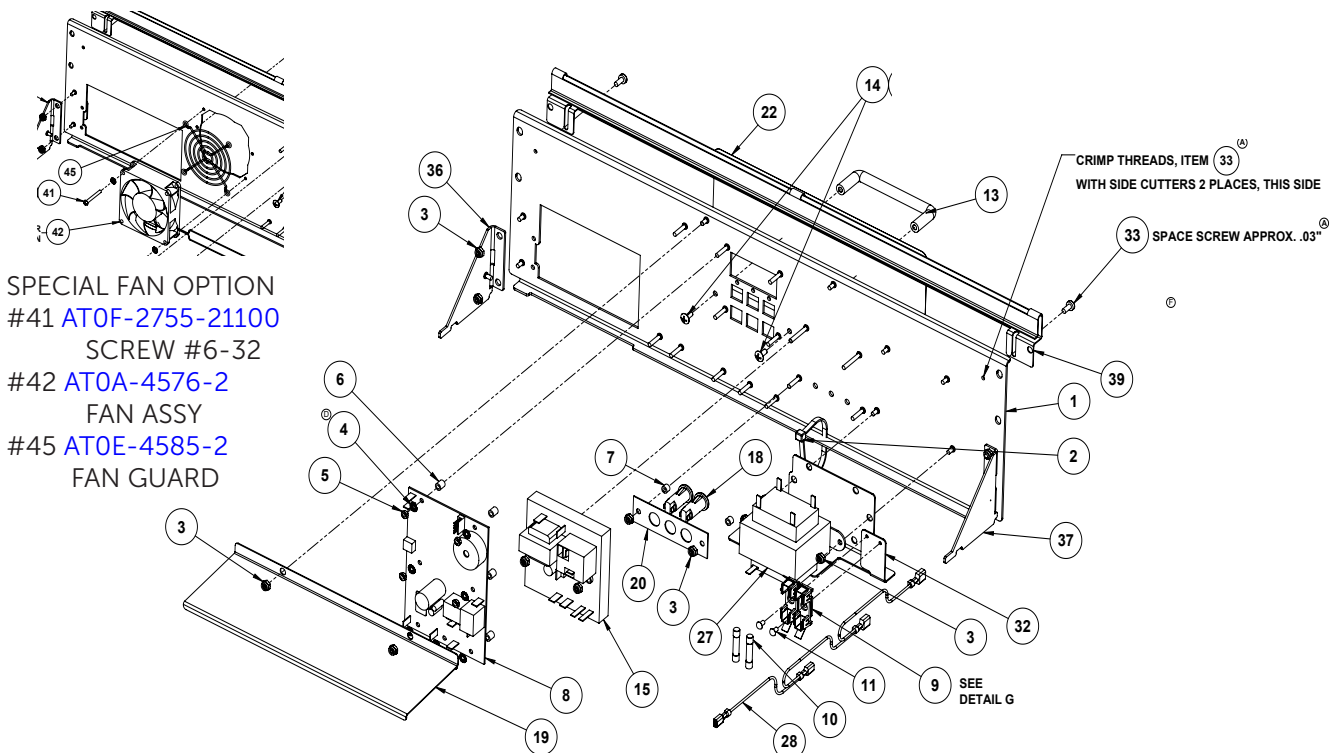
EGFXXXA48XX-XX

EGFXXXB24XX-XX

EGFXXXB36XX-XX

EGFXXXB48XX-XX

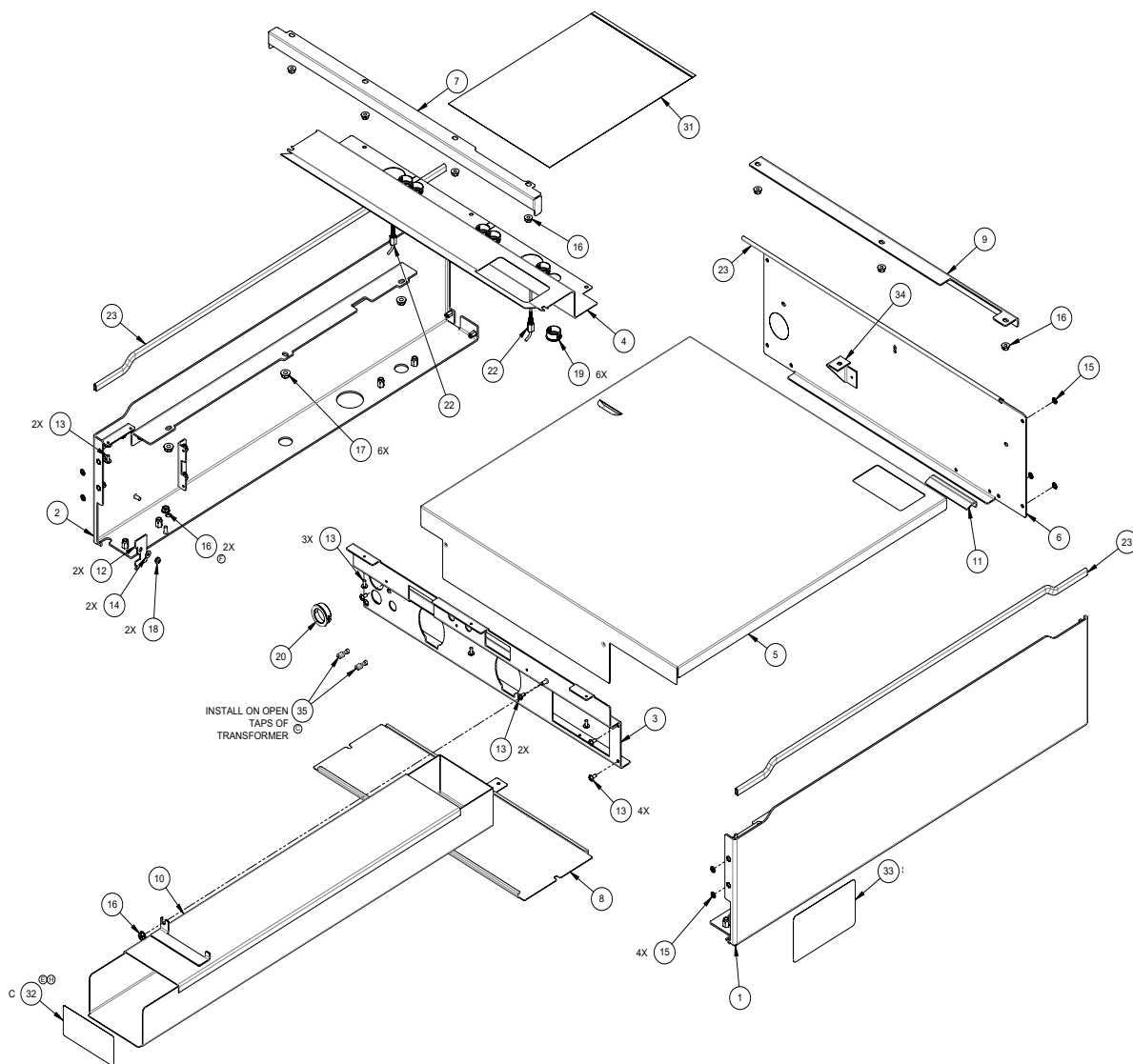
Fig 1.1 Control Panel Assembly



ITEM #	PART NUMBER	DESCRIPTION
#1	AT2A-5021-X	WELD ASSY, CONTROL PANEL
#2	AT0E-2580-1	CABLE TIE
#3	AT0F-2691-21002	NUT, #6-32 NYLOC
#4	AT0F-2666-21000	LOCKWASHER, SS #6 EXTERNAL TOOTH
#5	AT0F-3621-1	NUT, HEX #6-32UNC-2B
#6	AT0H-3623-1	SPACER, ROUND CLEAR HOLE
#7	AT0H-3623-2	SPACER, ROUND CLEAR HOLE
#8	CONTACT ACCUTEMP	CONTROLLER, CIRCUIT BOARD*
#8-1	AT0E-5062-1	PROBE, SENSOR, RTD
#9	AT0E-2708-1	3AG OMNI-BLOK FUSE BLOCK 2 POS
#10	AT0E-2731-2	FUSE 1¼ AMP 250V
#11	AT0F-2755-21020	SCREW, #6-32UNC X 1/4 PHILIPS
#13	AT0H-4105-5	HANDLE, PULL
#14	AT0F-1046-31030	SCREW, #8-32 x 3/8 PHLP TRUSS HEAD
#15	AT0E-3880-2	HIGH LIMIT CONTROLLER
#15-1	AT0E-5062-1	PROBE, SENSOR, RTD
#18	AT0E-1800-2	INDICATOR LAMP RED LED 28V
#19	AT2M-4893-1	SHIELD, SPLASH
#20	AT1M-3607-1	BRACKET, INDICATOR LAMP
#22	AT2L-4557-2	OVERLAY, CONTROL PANEL
#27	AT0E-2662-7	TRANSFORMER
#28	AT2A-4454-XX	ASSEMBLY, G2 HARNESS SETS*
#32	AT2M-4801-1	GUARD, TRANSFORMER
#33	AT0F-1046-31030	SCREW, #8-32 x 3/8 PHLP TRUSS HEAD
#36	AT2A-4962-2	ASSY, HINGE SUPPORT WELD
#37	AT2A-4962-1	ASSY, HINGE SUPPORT WELD
#39	AT2M-5029-X	SHIELD, DEFLECTOR 24" GRIDDLE*

*CONTACT ACCUTEMP SERVICE PARTS AT 1-800-480-0415 OR EMAIL parts@accutemp.net

Fig 1.2 Chassis Module, Electric



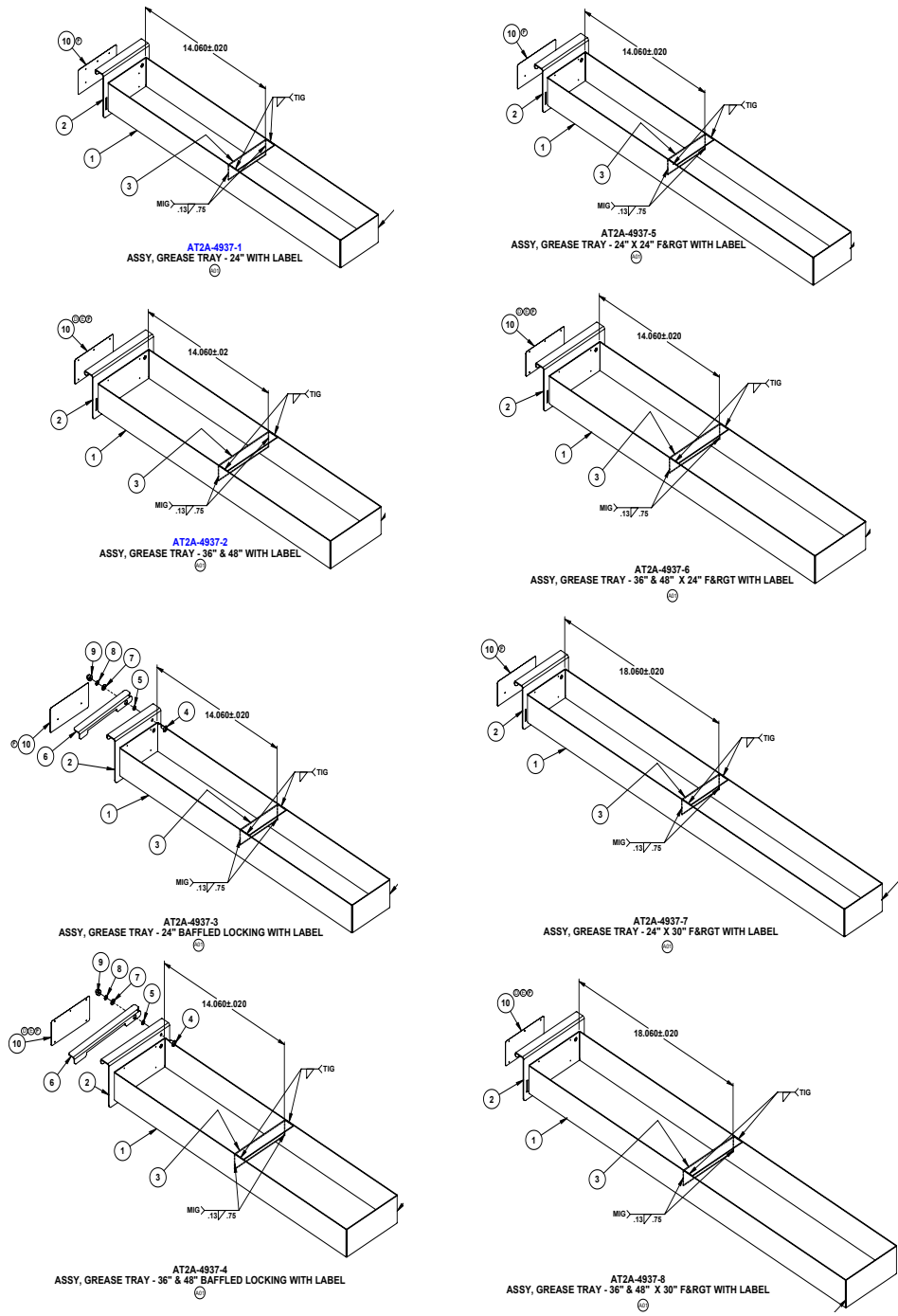
ITEM #	PART NUMBER	DESCRIPTION
#1	AT2A-5004-8	ASSY, SIDE SUPPORT-LH 30" F&RGT
#1-1	AT2A-5004-5	ASSY, SIDE SUPPORT-RH 24" F&RGT
#2	AT2A-5004-7	ASSY, SIDE SUPPORT-RH 30" F&RGT
#2-1	AT2A-5004-6	ASSY, SIDE SUPPORT-LH 24" F&RGT
#3	AT2A-5012-1	SUPPORT ASSEMBLY, CENTER - 24"
#3-1	AT2A-5012-2	SUPPORT ASSEMBLY, CENTER - 36"
#3-2	AT2A-5012-3	SUPPORT ASSEMBLY, CENTER - 48"
#4	AT2M-5008-1	SHIELD, HEAT - 24"
#4-1	AT2M-5008-2	SHIELD, HEAT - 36"
#4-2	AT2M-5008-3	SHIELD, HEAT - 48"
#5	AT2M-5013-10	COVER, INSUL, ELEC - 24" X 30" F&RGT
#5-1	AT2M-5013-7	COVER, INSUL, ELEC - 24" X 24" F&RGT
#5-2	AT2M-5013-11	COVER, INSUL, ELEC - 36" X 30" F&RGT
#5-3	AT2M-5013-8	COVER, INSUL, ELEC - 36" X 24" F&RGT
#5-4	AT2M-5013-12	COVER, INSUL, ELEC - 48" X 30" F&RGT
#5-5	AT2M-5013-9	COVER, INSUL, ELEC - 48" X 24" F&RGT
#6	AT2M-5019-7	PANEL, REAR - 24" F&RGT

Fig 1.2 Chassis Module, Electric

ITEM #	PART NUMBER	DESCRIPTION
#6-1	AT2M-5019-8	PANEL, REAR - 36" F&RGT
#6-2	AT2M-5019-9	PANEL, REAR - 48" F&RGT
#7	AT2M-5018-1	SHIELD, GREASE - 24"
#7-1	AT2M-5018-2	SHIELD, GREASE - 36"
#7-2	AT2M-5018-3	SHIELD, GREASE - 48"
#8	AT2M-4897-1	PANEL, ENCLOSURE BOTTOM - 24"
#8-1	AT2M-4897-2	PANEL, ENCLOSURE BOTTOM - 36"
#8-2	AT2M-4897-3	PANEL, ENCLOSURE BOTTOM - 48"
#9	AT2M-5040-1	BRACKET, GASKET - 24"
#9-1	AT2M-5040-2	BRACKET, GASKET - 36"
#9-2	AT2M-5040-3	BRACKET, GASKET - 48"
#10	AT2A-4885-5	GREASE CAN ASSY - 24" X 30" F&RGT
#10-1	AT2A-4885-3	GREASE CAN ASSY - 24" X 24" F&RGT
#10-2	AT2A-4885-6	GREASE CAN ASSY - 36 & 48" X 30" F&RGT
#10-3	AT2A-4885-4	GREASE CAN ASSY - 36 & 48" X 24" F&RGT
#11	AT2M-5023-2	SUPPORT, GREASE TRAY ENCLOSURE
#12	AT2M-4787-1	LOCK, HINGE
#13	AT0F-1046-31030	SCREW, #8-32 x 3/8 PHLP TRUSS HEAD
#14	AT0F-1052-21002	WASHER #6 TYPE B PLAIN
#15	AT0F-2666-40000	WASHER, SS #10 INTERNAL TOOTH LOCK
#16	AT0F-1017-41002	NUT, #10-24UNC HEX SERRATED
#17	AT0F-1017-51002	NUT, 1/4-20UNC HEX SERRATED
#18	AT0F-2691-21002	NUT, #6-32 NYLOC
#19	AT0H-2576-1	GROMMET, 7/8" NYLON
#20	AT0H-2576-2	GROMMET, 1 1/4" NYLON
#22	AT0E-5062-1	PROBE, SENSOR, RTD
#23	AT0G-5033-1	SEAL, GASKET, BULB (SOLD PER FOOT)
#31	AT2A-4987-X	LOOSE PIECES, GRIDDLE*
#32	AT0L-6466-1	FRONT OVERLAY, GREASE TRAY
#33	AT0L-2798-1	OVERLAY, WARNING, ELECTRICAL
#34	AT2M-4948-1	BRACKET, REAR PANEL
#35	AT0E-2699-1	TERMINAL, QDISC, INSULATED FEM-18-22AWG

*CONTACT ACCUTEMP SERVICE PARTS AT 1-800-480-0415 OR EMAIL parts@accutemp.net

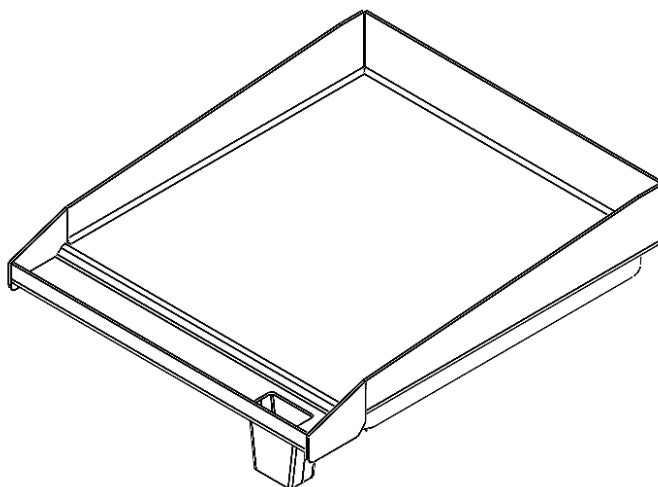
Fig 1.3 Grease Tray Assembly



ITEM #	PART NUMBER	DESCRIPTION
#1	AT2M-4939-X	GREASE TRAY ASSEMBLY*
#2	AT2M-4938-X	PLATE, FACE, GREASE TRAY*
#3	AT2M-3006-8	BAFFLE
#4	ATOF-1046-41030	SCREW, #10-24 x 3/8 PHLP TRUSS HEAD
#5	ATOF-3012-1	SPACER, ROUND
#6	AT2M-3008-1	LEVER, GREASE PAN
#7	ATOF-1052-43010	WASHER, #10 TYPE B CUSTOM
#8	ATOF-1922-40000	WASHER, #10 SS HELICAL SPRING LOCK
#9	ATOF-2632-41001	NUT, #10-24 LOW CROWN ACORN
#10	ATOL-6466-1 1	OVERLAY, GREASE TRAY

*CONTACT ACCUTEMP SERVICE PARTS AT 1-800-480-0415 OR EMAIL parts@accutemp.net

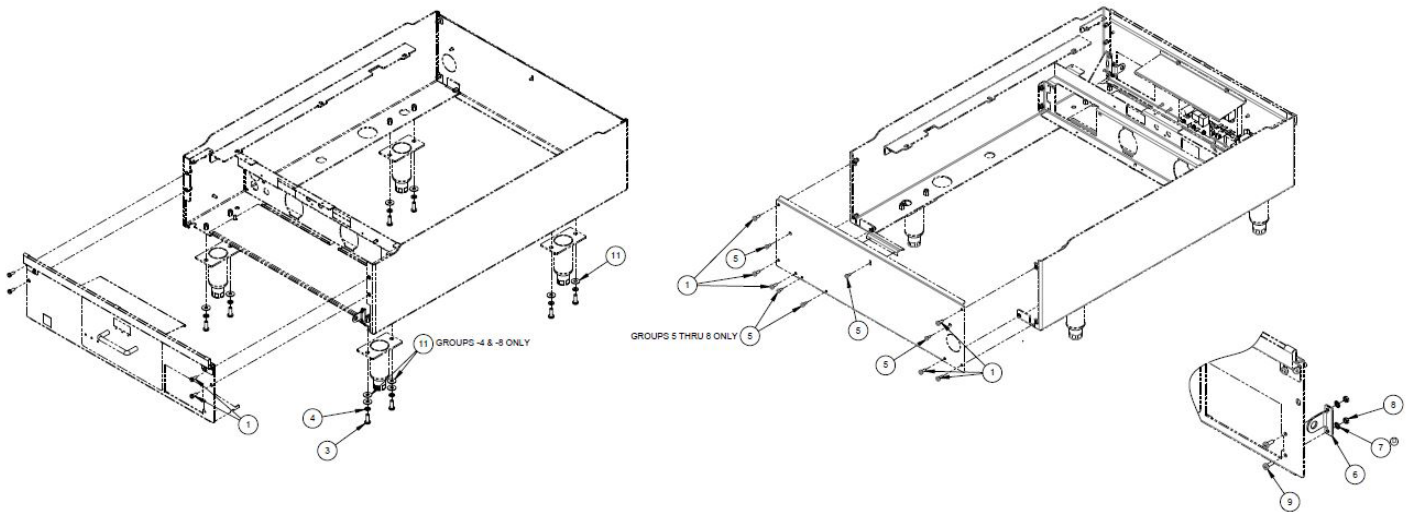
Fig 1.4 Top & Bottom Chamber



ITEM #	PART NUMBER	DESCRIPTION
#1	AT2A-3563-X	CHAMBER TOP WELD ASSY*
#2	AT2M-3021-7	CHAMBER BOTTOM*
#5	AT2M-2122-1	RUPTURE DISC
#6	AT2P-1152-1	COUPLER, STEPPED, 1/8 NPT
#7	AT0P-3024-3	PLUG COUNTERSUNK HEX HEAD
#8	AT2P-1445-1	CAP
#9	AT0E-2884-1	THERMOWELL, REPLACEABLE
#10	AT0F-1016-51060	1/4-20 x 3/4 FL STUD THD
#11	AT0F-1016-41030	#10-24 x 3/8 FL STUD THD
#15	AT0H-3013-3	SPACER, CHAMBER
#16	AT2E-3885-X	ELEMENT, HEATER, GRIDDLE*
#17	AT2M-4417-X	RETAINER, HEATER*
#18	AT2M-4423-X	CLIP, HEATER RETAINER*
#19	AT2A-4945-1	EXTENSION ASSEMBLY, GREASE SPOUT
#20	AT2M-5007-1	FRONT END CAP

*CONTACT ACCUTEMP SERVICE PARTS AT 1-800-480-0415 OR EMAIL parts@accutemp.net

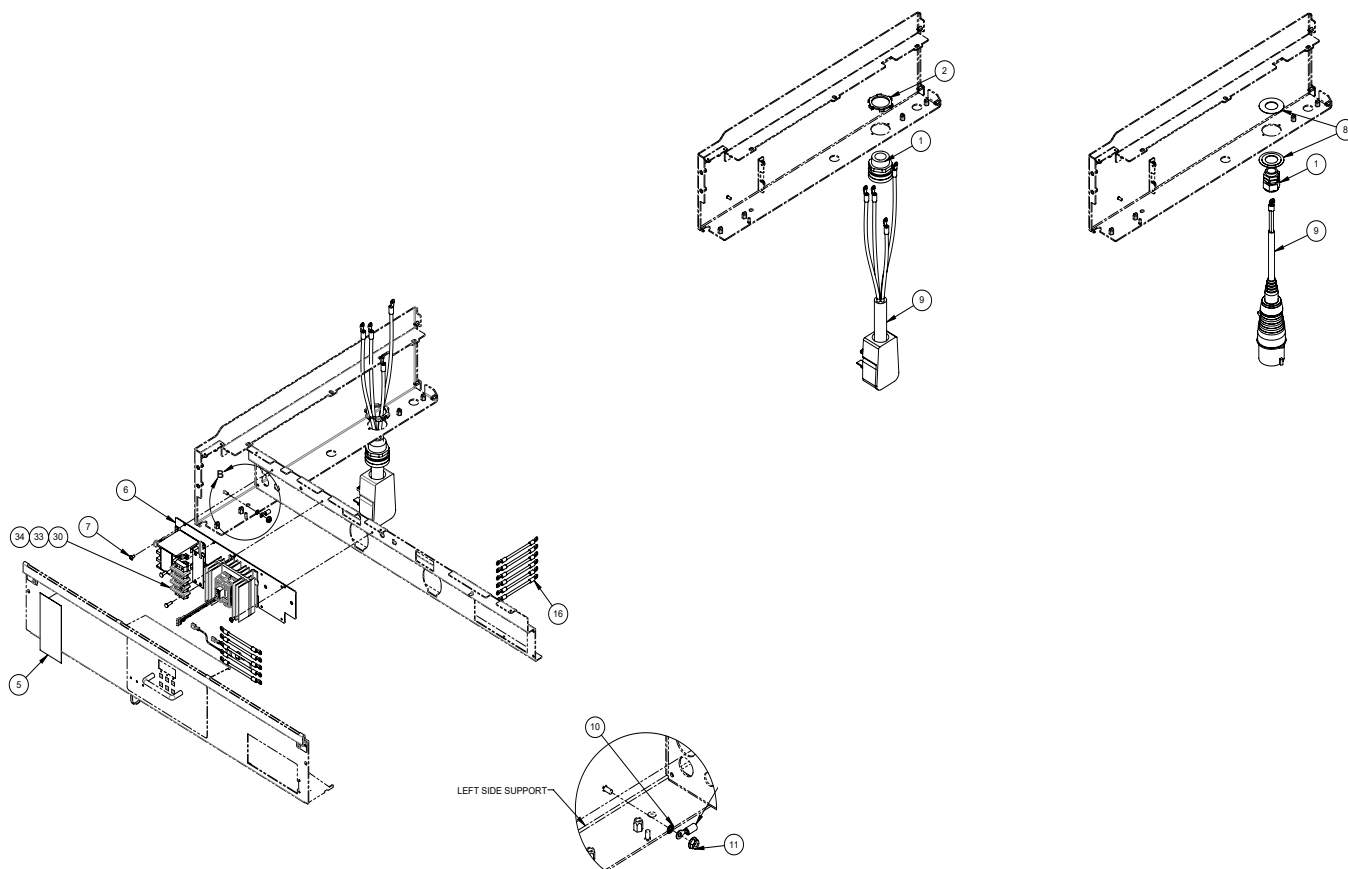
Fig 1.5 Frame Assembly



ITEM #	PART NUMBER	DESCRIPTION
#1	ATOF-2755-41040	SCREW, #10-24UNC X 1/2 PHILIPS ROUND
#1-1	ATOF-3448-41046	SCREW, #10-24 X 1/2" TAMPER PROOF
#3	ATOF-2875-51050	SCREW, 1/4-20UNC X 5/8 HEX HEAD
#3-1	ATOF-3448-51066	SCREW, 1/4-20 X 3/4" TAMPER PROOF
#4	ATOF-1922-50000	WASHER, 1/4" HELICAL SPRING LOCK
#5	ATOF-1046-31030	SCREW, #8-32 x 3/8 PHLP TRUSS HEAD
#5-1	ATOF-3448-31036	SCREW, #8-32 X 3/8" TAMPER PROOF
#6	AT2M-4736-1	EYE, PADLOCK
#7	ATOF-2666-21000	WASHER, SS #6 TOOTH LOCK
#8	ATOF-3621-1	NUT, #6-32UNC-2B UNDERSIZE SCREW HEX
#9	ATOF-3448-21030	SCREW, #6-32 X 3/8" TAMPER PROOF
#11	ATOF-1052-51000	WASHER 1/4 TYPE B PLAIN STAINLESS STEEL
#12	ATOF-2061-41060	SCREW, #10-24 x 3/4" FLAT HD MACHINE

**FOR GRIDDLE BOTTOM FEET OPTIONS PLEASE
CONTACT ACCUTEMP SERVICE PARTS AT 1-800-480-0415 OR EMAIL parts@accutemp.net**

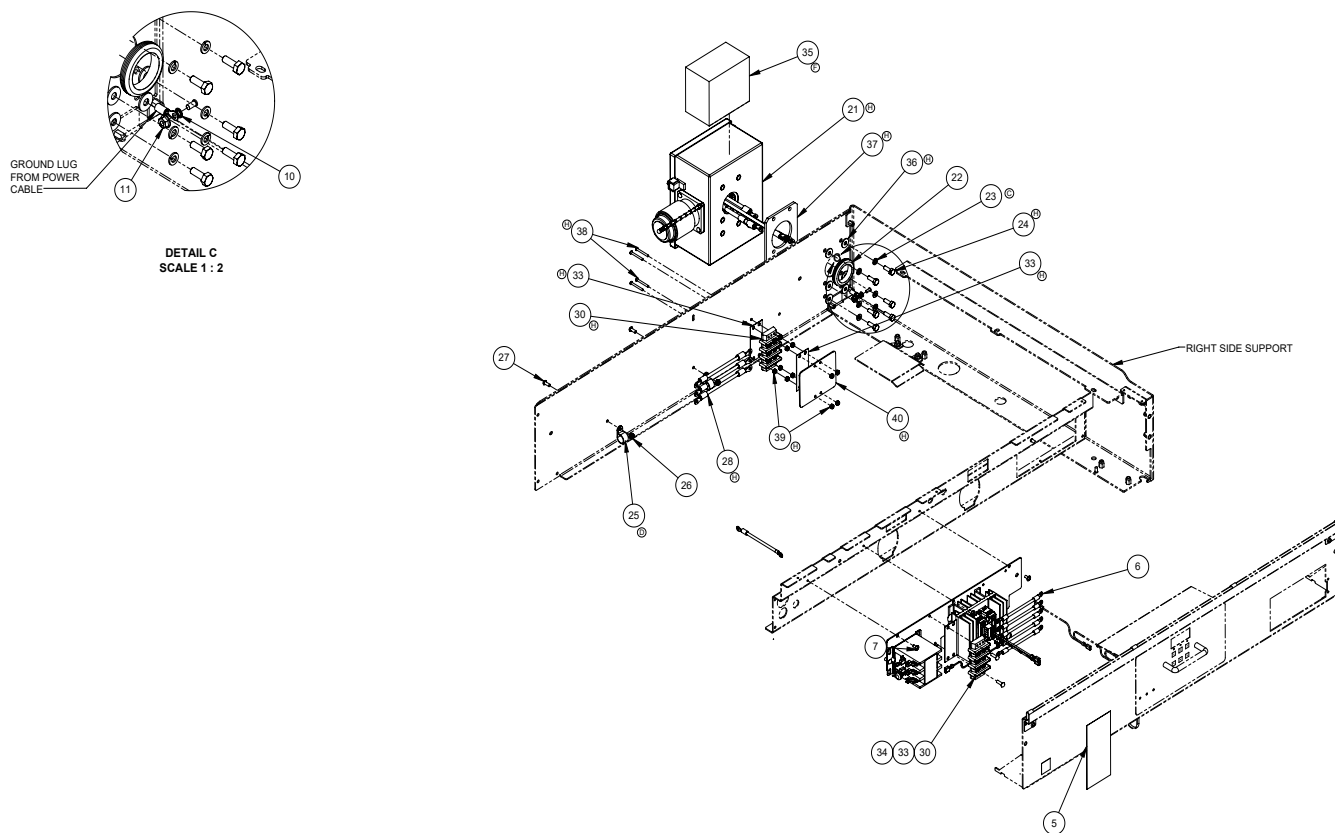
Fig 1.6 Electrical Components



ITEM #	PART NUMBER	DESCRIPTION
#1	AT0E-1049-1	STRAIN RELIEF 1 1/4" HUB CABLE RANGE
#1-1	AT0E-1049-2	STRAIN RELIEF 3/4" HUB CABLE RANGE
#2	AT0E-2086-X	CORD GRIP LOCKNUT*
#5	AT2L-3725-1	DATA TAG, ELECTRIC GRIDDLE
#6	AT2A-4628-1	COMPONENT ASSY, ELECTRICAL (See Fig: 1.8 & 1.9)
#7	AT0F-1046-31030	SCREW, #8-32 x 3/8 PHLP TRUSS HEAD
#8	AT0H-3641-2	WASHER, 1 1/4 x 3/4 REDUCING
#9	AT0A-2788-XX	POWER CABLE ASSY*
#10	AT0F-2666-40000	WASHER, SS #10 INTERNAL TOOTH LOCK
#11	AT0F-1017-41002	NUT, #10-24UNC HEX SERRATED
#16	AT2A-4454-XX	ASSEMBLY, G2 HARNESS SETS*
#30	AT0E-1134-3	3 POSITION TERMINAL BLOCK
#33	AT0E-3025-3	INSULATOR STRIP, 3 POSITION DOUBLE ROW
#34	AT0F-2755-40050	SCREW, #10-32UNF X 5/8 PHILIPS

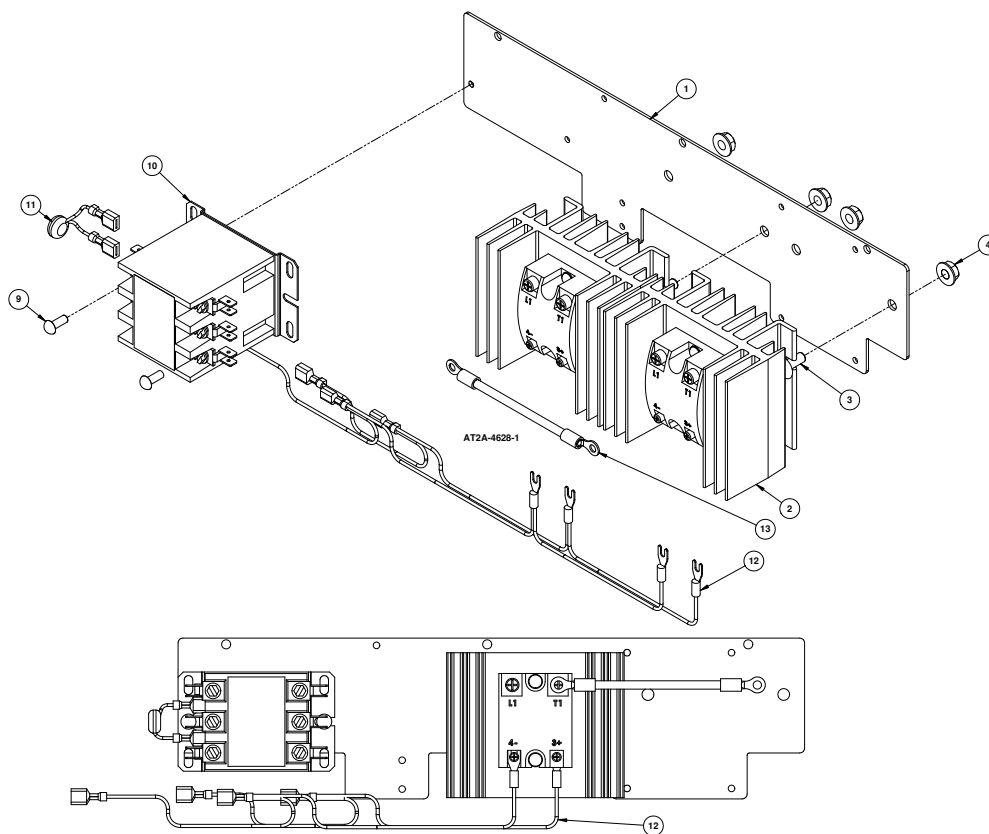
*CONTACT ACCUTEMP SERVICE PARTS AT 1-800-480-0415 OR EMAIL parts@accutemp.net

Fig 1.7 Electrical Components



ITEM #	PART NUMBER	DESCRIPTION
#5	AT2L-3725-1	DATA TAG, ELECTRIC GRIDDLE
#6	AT2A-4628-1	COMPONENT ASSY, ELECTRICAL (See Fig: 1.8 & 1.9)
#7	ATOF-1046-31030	SCREW, #8-32 x 3/8 PHLP TRUSS HEAD
#10	ATOF-2666-40000	WASHER, SS #10 INTERNAL TOOTH LOCK
#11	ATOF-1017-41002	NUT, #10-24UNC HEX SERRATED
#21	ATOA-6279-2	ASSEMBLY, POWER PACK
#22	ATOH-3150-1	GROMMET, RUBBER
#23	ATOF-1922-50000	WASHER, 1/4" HELICAL SPRING LOCK
#24	ATOF-2875-51061	SCREW, 1/4-20UNC X 3/4 HEX HEAD
#25	ATOE-5001-9	CLAMP, CABLE - 5/8 DIA
#26	ATOF-2691-41002	NUT, #10-24 NYLOC
#27	ATOF-2755-41040	SCREW, #10-24UNC X 1/2 PHILIPS
#28	ATOA-4084-5	HARNESSES, WIRING
#30	ATOE-1134-3	3 POSITION TERMINAL BLOCK
#30-1	ATOE-1134-4	4 POSITION TERMINAL BLOCK
#33	ATOE-3025-3	INSULATOR STRIP, 3 POSITION DOUBLE ROW
#33-1	ATOE-3025-2	INSULATOR STRIP, 4 POSITION DOUBLE ROW
#34	ATOF-2755-40050	SCREW, #10-32UNF X 5/8 PHILIPS
#35	AT2S-5054-1	BLOCK, SHIPPING
#36	ATOF-1052-51000	WASHER 1/4 TYPE B PLAIN STAINLESS
#37	ATOM-5104-2	PLATE, ADAPTER
#38	ATOF-2755-21100	SCREW, #6-32UNC X 1 1/4 PHILIPS
#39	ATOF-2691-21001	NUT, #6-32 NYLOC
#40	A2M-6338-1	GUARD, TERMINAL

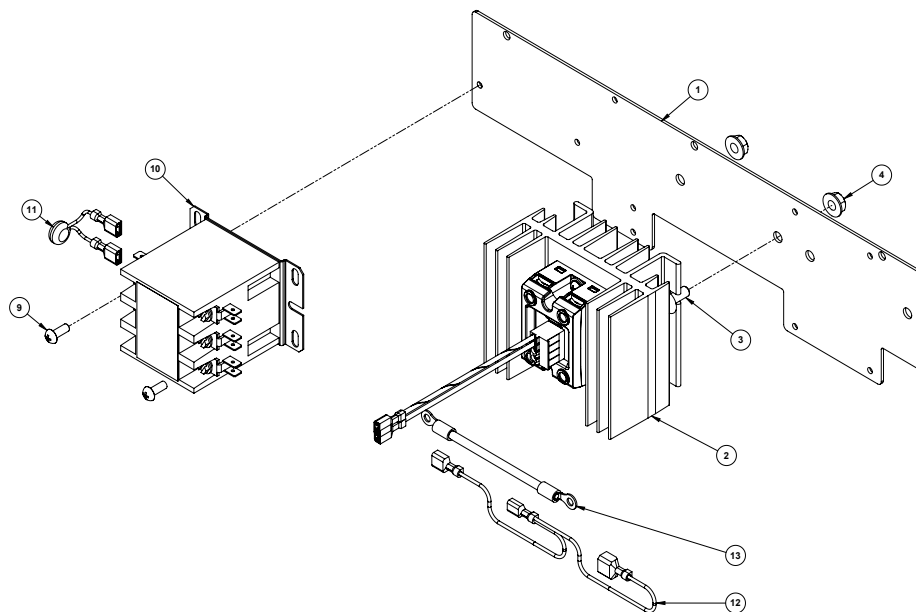
Fig 1.8 Electrical Components S/N 24934 & Down



ITEM #	PART NUMBER	DESCRIPTION
#1	AT2M-4894-1	PANEL, RELAY MOUNTING
#2	AT1A-3707-2	HEAT SINK ASSY, SINGLE SSR
#2-1	AT0E-2059-3	SINGLE POLE SOLID STATE RELAY
#3	AT0F-1921-51051	BOLT, 316SS 1/4-20 UNC 2A X 5/8" CARRIAGE
#4	AT0F-1017-51002	NUT, 1/4-20UNC HEX SERRATED
#9	AT0F-2755-40040	SCREW, #10-32UNF X 1/2 PHILIPS
#10	AT0E-1587-4	3 POLE CONTACTOR
#11	AT0A-2736-8	MOV- TERMINALS ASSEMBLY
#12	AT2A-4454-XX	ASSEMBLY, G2 HARNESS SETS*
#13	AT2A-4454-XX	ASSEMBLY, G2 HARNESS SETS*

*CONTACT ACCUTEMP SERVICE PARTS AT 1-800-480-0415 OR EMAIL parts@accutemp.net

Fig 1.8 Electrical Components S/N 24935 & Up



ITEM #	PART NUMBER	DESCRIPTION
#1	AT2M-4894-1	PANEL, RELAY MOUNTING
#2	AT0A-6262-1	HEAT SINK ASSY, SINGLE SSR
#2-1	AT0E-6259-1	DUAL POLE SOLID STATE RELAY
#3	ATOF-1921-51051	BOLT, 316SS 1/4-20 UNC 2A X 5/8" CARRIAGE
#4	ATOF-1017-51002	NUT, 1/4-20UNC HEX SERRATED
#9	ATOF-2755-40040	SCREW, #10-32UNF X 1/2 PHILIPS
#10	AT0E-1587-6	3 POLE CONTACTOR
#11	AT0A-2736-8	MOV- TERMINALS ASSEMBLY
#12	AT2A-4454-XX	ASSEMBLY, G2 HARNESS SETS*
#13	AT2A-4454-XX	ASSEMBLY, G2 HARNESS SETS*

*CONTACT ACCUTEMP SERVICE PARTS AT 1-800-480-0415 OR EMAIL parts@accutemp.net

Fig 2.0 Parts Quick Reference List

PART NUMBER	DESCRIPTION
CONTACT ACCUTEMP	MAIN CONTROLLER, CIRCUIT BOARD*
AT0E-5062-1	RTD TEMPERATURE / HIGH LIMIT PROBE
AT0E-3880-2	HIGH LIMIT CONTROL BOARD
AT0E-2059-3	SINGLE SSR S/N: 24934 & DOWN
AT0E-1587-4	3 POLE CONTACTOR S/N: 24934 & DOWN
AT0E-6259-1	DUAL POLE SSR S/N: 24935 & UP
AT0E-1587-6	3 POLE CONTACTOR S/N: 24935 & UP
AT0E-2662-7	TRANSFORMER W/ MOUNTING BRACKET
AT0E-2731-2	SLO-BLOW FUSE 1.25 AMP/250 VOLT
AT2A-5043-1	24" GRAB HANDLE KIT
AT2A-5043-2	36" GRAB HANDLE KIT
AT2A-5043-3	48" GRAB HANDLE KIT
AT2M-4797-1	RH BRACKET; COMDIMENT BOARD
AT2M-4797-2	LH BRACKET; COMDIMENT BOARD

*CONTACT ACCUTEMP SERVICE PARTS AT 1-800-480-0415 OR EMAIL parts@accutemp.net



LIFETIMETM
SERVICE & SUPPORT
1-800-480-0415 | service@accutemp.net