

Effective: April 24, 2023



# ADC-44 Tall L-R/R-L

**ADS CONVEYOR DISHWASHER**

**PARTS MANUAL**



If you have questions, call 800-922-2178 or visit  
our website at  
[www.americandish.com](http://www.americandish.com)

## **American Dish Service**

900 Blake Street | Edwardsville, Kansas 66111  
Phone: 913.422.3700 | Toll-Free: 800.922.2178 | Fax: 913.422.6630  
[orders@americandish.com](mailto:orders@americandish.com) | [americandish.com](http://americandish.com)

Rev 1.0 © 5/2023

The American Dish Service part numbers contained in this publication are replacement parts for equipment listed with governmental and regulatory agencies and are specified to maintain the regulatory mark and certification. These parts must only be replaced by those who are trained in the operation and service of commercial dishmachines. Aftermarket parts or modified parts are not compliant or listed with the standards of governmental and regulatory agencies; aftermarket parts are not authorized by ADS for replacement repairs. ADS will not be responsible for any liability if parts are used in the repair of the machine that are not ADS-specified, by those installing non-certified replacement parts or attempts to change the machine's cycle or operation other than as designed and certified. **Read the warnings and cautions provided below before working on or replacing parts on any ADS equipment.**



**DANGER**

**The installation of electrical parts contained in this publication require the following precautions:**

**The electrical power supplied to this machine is an imminent hazard to life that could result in severe bodily injury or death if not properly installed or connected correctly.** When working in the control box or on electrical parts, always disconnect power and perform the appropriate lock-out/tag-out procedure before servicing. Replace the cover to the control box and other protective covers when finished with servicing this equipment before returning the machine to normal operation.

**LOOSE ELECTRICAL CONNECTIONS:** Damage to the equipment can occur if the following precautions are not observed. Before connecting power to the machine, check all electrical terminals in the control box. Screws can loosen in transit. Loose connections on high amp load terminals such as the pump motor and tank heaters will cause wire burning and component damage during operation and will not be covered under ADS warranty.

**"CLEAN CIRCUIT"** means the electrical circuit breaker for the dishmachine supplies no other outlets, machines, or lights. GFCI outlets are not recommended for commercial dishmachines; ADS recommends that a single-rack machine be installed with the wire connection (hard-wired) directly from the circuit breaker. All high temp and conveyor equipment must be hard wired. If a plug and socket are used to provide electrical power to a dishmachine in a commercial kitchen, then according to electrical code it must be a GFCI, but not all GFCIs are the same. They must be rated for the Amp draw for the designed circuit.

**For Reference: The NEC Article 210.8 regarding GFCI Protection (B) Other Than Dwelling Units (2) Commercial and Institutional Kitchens. All 15 and 20A, 125V receptacles installed in kitchens, even those that do not supply the countertop surface, must be GFCI protected.**



**WARNING**

**The chemical feeders and controls contained in this publication require the following precautions:**

**READ Manufacturer's Manual before Using this Product. For your safety read and observe all warnings in these instructions.** While performing installation of parts described in this booklet, wear approved Personal Protective Equipment, including chemically resistant gloves and Safety Eye-Wear.

**CHEMICALS:** There are potentially hazardous situations when working with industrial cleaning chemicals for dishmachines. See chemical manufacturer's safe practices and SDS or MSDS sheets for handling and installing chemicals and supply containers.

Chemicals can damage or corrode plumbing and stainless parts of the dishmachine. Do not run chemical lines over controls or plumbing. Always secure chemical lines and check regularly for leaks. **If not properly handled, chemicals can cause serious bodily injury. In the event of chemical contact to skin or eyes; wash immediately with fresh water and seek medical attention.**

**DE-LIMING THE MACHINE:** Because of potential hazards resulting from the combination of chlorine with acid solution, only authorized trained individuals must be allowed to de-lime a commercial dishmachine.

**CONTAINERS:** The ADS chemical delivery system is designed for 5 gallon pails of industrial low-energy chemical products. Always use chemical resistant safety gloves and safety goggles (indirect-vented or non-vented) when changing chemical buckets. Immediately report spills and refer to your chemical suppliers SDS safety data sheet or MSDS material safety data sheet for information if chemical comes in contact with skin or eyes.

Any modifications to the chemical delivery system for smaller containers must include Closed Loop Chemical Containers (spill proof bottles) in a secured racking system. It is the responsibility of the user of the machine to purchase chemicals in spill proof containers. **FAILURE CAN RESULT IN SERIOUS INJURY.** Never place chemicals in open containers or containers that can be easily tipped over when moving or changing product. Failure to do so will void your ADS warranty.

Chemical supplies must be kept in closed delivery containers to avoid spills or contamination. Do not place chemical solutions in open containers or containers that can be easily tipped over in moving or changing.

Do not open the doors while the machine is in operation. Doing so could result in serious bodily injury from spraying hot water and chemicals.



The door lever arm parts in this publication are installed under spring tension and caution is needed whenever parts are changed. Wear safety glasses when working on the doors and lever. Care should be taken when moving, installing, or replacing any door lever arm parts. Use the ADS lever arm tool to unload the door spring during replacement or adjustment. The spring tension suddenly released can result in pinch or blunt trauma, and puncture wounds. If a wound occurs from the release of spring tension, wash the wound area immediately because of the soils that can accumulate on the metal parts and seek medical attention.

## NOTICE

**BEFORE YOU BEGIN:** American Dish Service provides this information as a service to our customers. **Keep all instructions for future reference.** ADS reserves the right to alter or update this information at any time. Should you desire to make sure that you have the most up-to-date information, we would direct you to the appropriate document on our web site: [www.americandish.com](http://www.americandish.com). **It is your obligation as the customer to ensure that the replacement parts for the machine are installed safely and properly, and when completed, the machine is left in proper and safe working order.** Electrical, Plumbing, and Chemical hookup must be performed by a qualified professional who will ensure that the equipment is installed in accordance with all applicable Codes, Ordinances, and Safety requirements. Failure to follow the installation instructions will void the warranty. **ADS assumes no liability or control over the installation of the equipment or replacement parts. Product failure due to improper installation is not covered under the ADS Warranty.**

### Plumbing Parts:

When working on the water inlet manifold, first relieve the water line pressure by turning off the water supply to the machine then energize the machine's fill valve. By doing this the manifold will empty of water. Turn off the electrical power and lock out/tag out the machine. It will then be safe to open the plumbing inlet manifold.

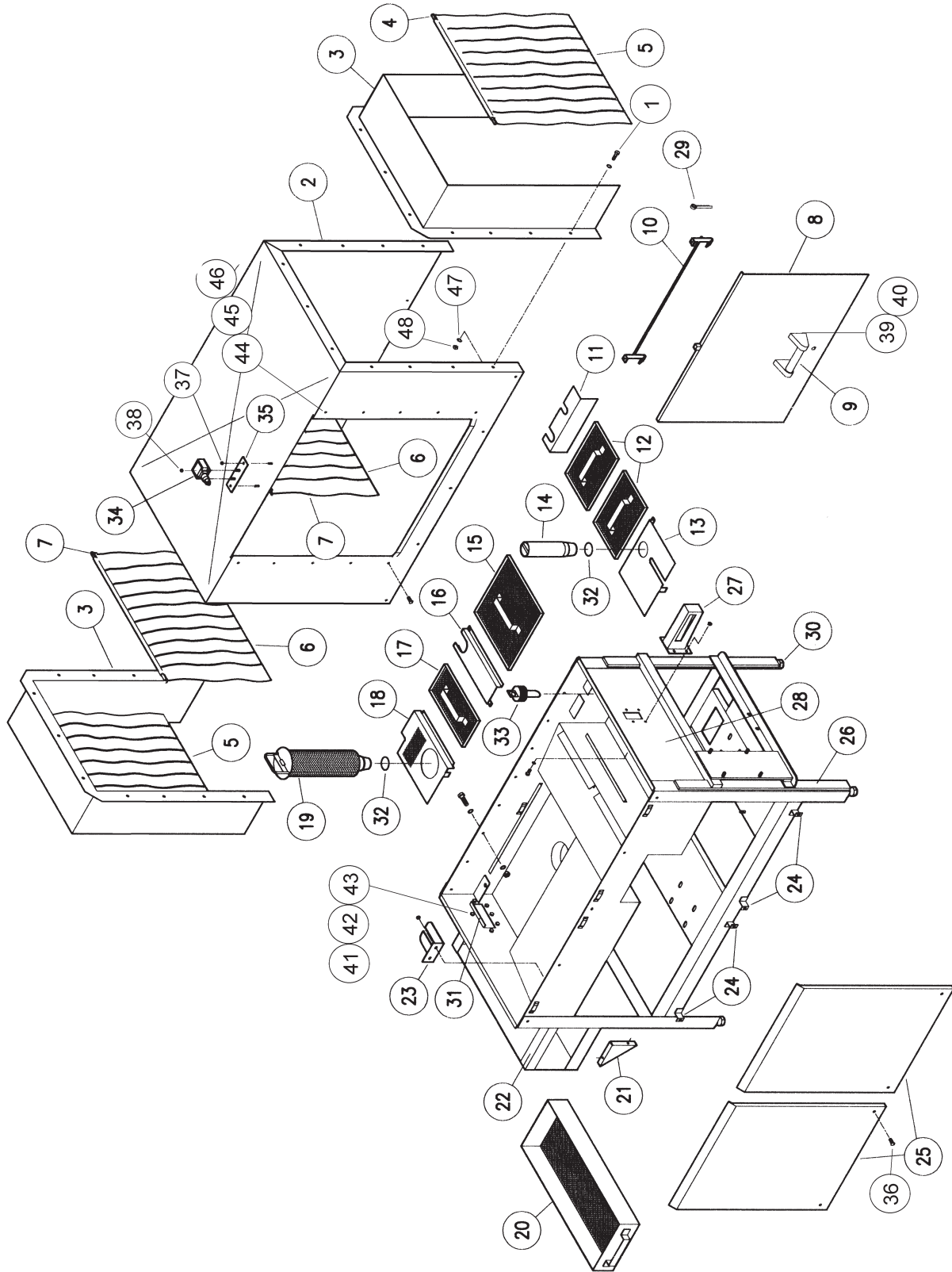
**TANKLESS WATER HEATERS** have shown to be problematic for commercial dishmachines. It has been the experience of ADS that tankless supply systems require multiple units plumbed in sequence with a recirculation loop to achieve proper pressure and temperature.

**Check with the tankless water heater manufacturer, they may recommend a storage tank to guarantee proper flow and line pressure to the machine. Failure to provide adequate water quantity, pressure and temperature to the machine will cause the machine to function improperly and is not the responsibility of ADS. Improperly installing ADS equipment or parts in this manner could void the warranty. All costs associated with providing an adequate water supply to the machine is the sole responsibility of the user.**

**Drain replacement parts should not be reduced in size, all drain lines should remain the same size as it exits the dishmachine or larger.** If you have questions, call 800-922-2178 or visit our website at [www.americandish.com](http://www.americandish.com).

# Cabinet Assembly

## ADC-44 L-R Tall



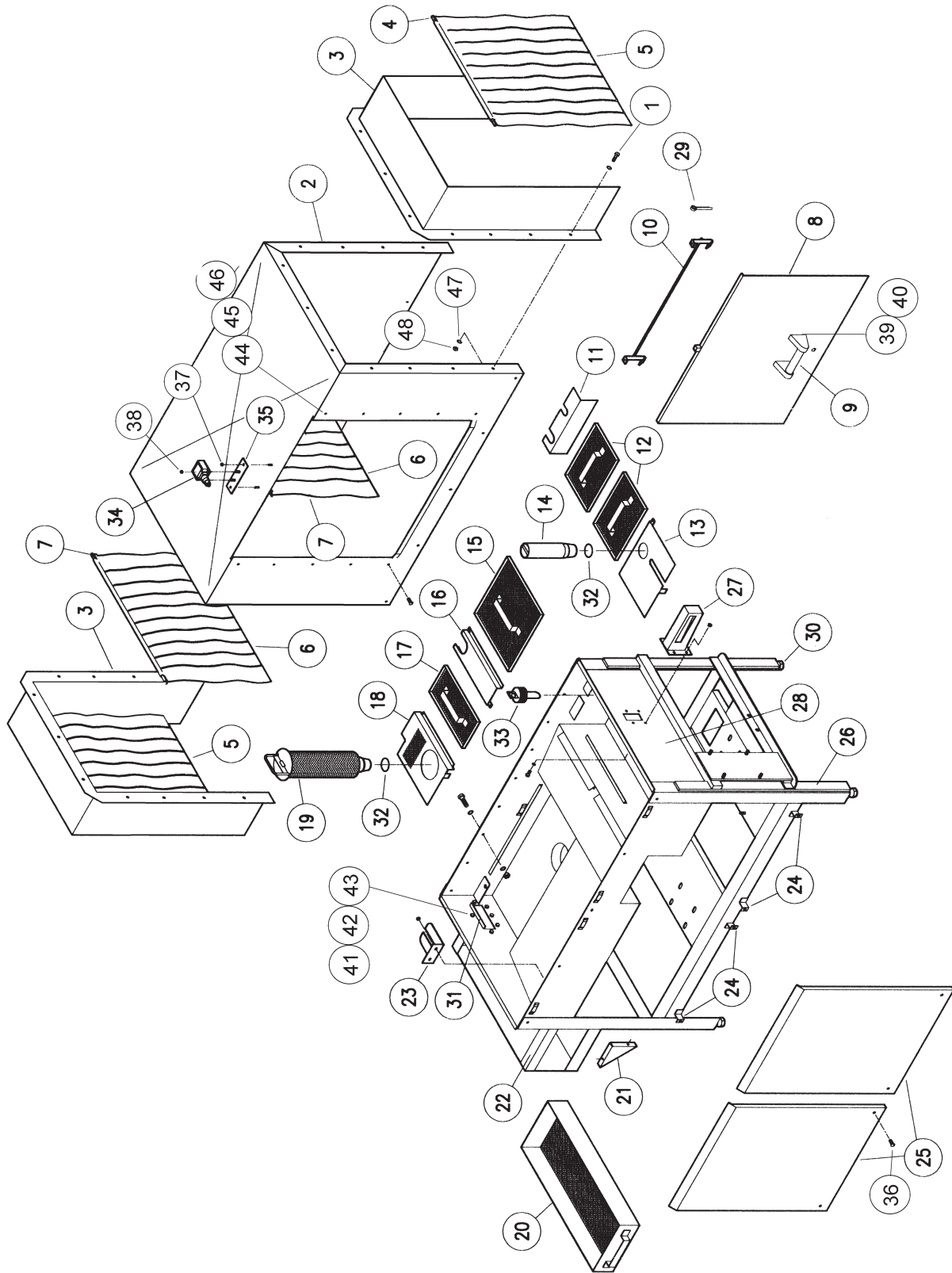
# Cabinet Assembly

## ADC-44 L-R Tall

Ref. No.	Part No.	No. Req.	Description
1	<a href="#">098-1423</a>	9	Bolt, 1/4"-20 x 1/2" HH SS (Per End Shield)
2	285-6263	1	Hood Weldment, L- Tall
3	285-6265	2	Hood End Shield Weldment, Cowl Tall
N/S	<a href="#">285-6116</a>	Opt. 2	Vent Weldment, Hood End Shield (4" Tall)
4	<a href="#">284-6122</a>	2	Rod, Curtain 5/17" x 20.5" Long
5	<a href="#">299-1012</a>	2	Curtain 21" Wide x 25" Tall (End Curtains)
6	<a href="#">299-1002</a>	2	Curtain 23" Wide x 11" Tall
7	<a href="#">284-6121</a>	2	Rod, Curtain 5/16" x 24" Lg
8	285-6266	1	Door Weldment Tall, Front Access, Less Handle
N/S	287-6223	2	Door Guide Tall, SS
9	<a href="#">285-6139</a>	1	Handle Weldment, Front Access Door
10	<a href="#">285-6125</a>	1	Latch Weldment, Door
11	<a href="#">285-6152</a>	1	Cover Weldment, Rinse Float, L-R
12	<a href="#">285-6123</a>	2	Screen Weldment, Rinse Tank (9-3/4" x 7")
13	<a href="#">286-6200</a>	1	Plate, Rinse Stand Tube, L-R
14	<a href="#">281-6210</a>	1	Drain Stand Tube, with O-Ring, Rinse Tank
15	<a href="#">285-6145</a>	1	Screen Weldment, Wash Tank Large L-R (10-3/4" x 10-3/4")
16	<a href="#">286-6179</a>	1	Cover, Wash Manifold
17	<a href="#">285-6122</a>	1	Screen Weldment, Wash Small (10-3/4" x 5-3/8")
18	<a href="#">286-6197</a>	1	Plate, Wash Pump Filter L-R
19	<a href="#">281-6211</a>	1	Filter, Wash Pump with O-Ring
20	<a href="#">289-9109</a>	1	Tray, Scrap Trap, Complete
21	<a href="#">289-9114</a>	1	Support, Scrap Trap
22	<a href="#">289-9111</a>	1	Scrap Trap (Box Only) L-R
23	<a href="#">286-6182</a>	1	Guard, Wash Magnet
24	<a href="#">285-6151</a>	4	Mount Weldment, Lower, Front Panel
25	<a href="#">285-6120</a>	2	Panel Weldment, Front
26	<a href="#">285-6150</a>	1	Frame Weldment, L-R
27	<a href="#">285-6119</a>	1	Drip Chute Weldment
N/S	<a href="#">289-6601</a>	1	Gasket, Drip Chute
28	<a href="#">285-6182</a>	1	Pan Weldment, L-R
29	<a href="#">098-8008</a>	2	Cotter Pin, 3/32" x 1" SS
30	<a href="#">099-1024</a>	4	Bullet Feet, SS
31	<a href="#">285-6132</a>	1	Spacer Weldment, Scrap Trap

# Cabinet Assembly

## ADC-44 L-R Tall



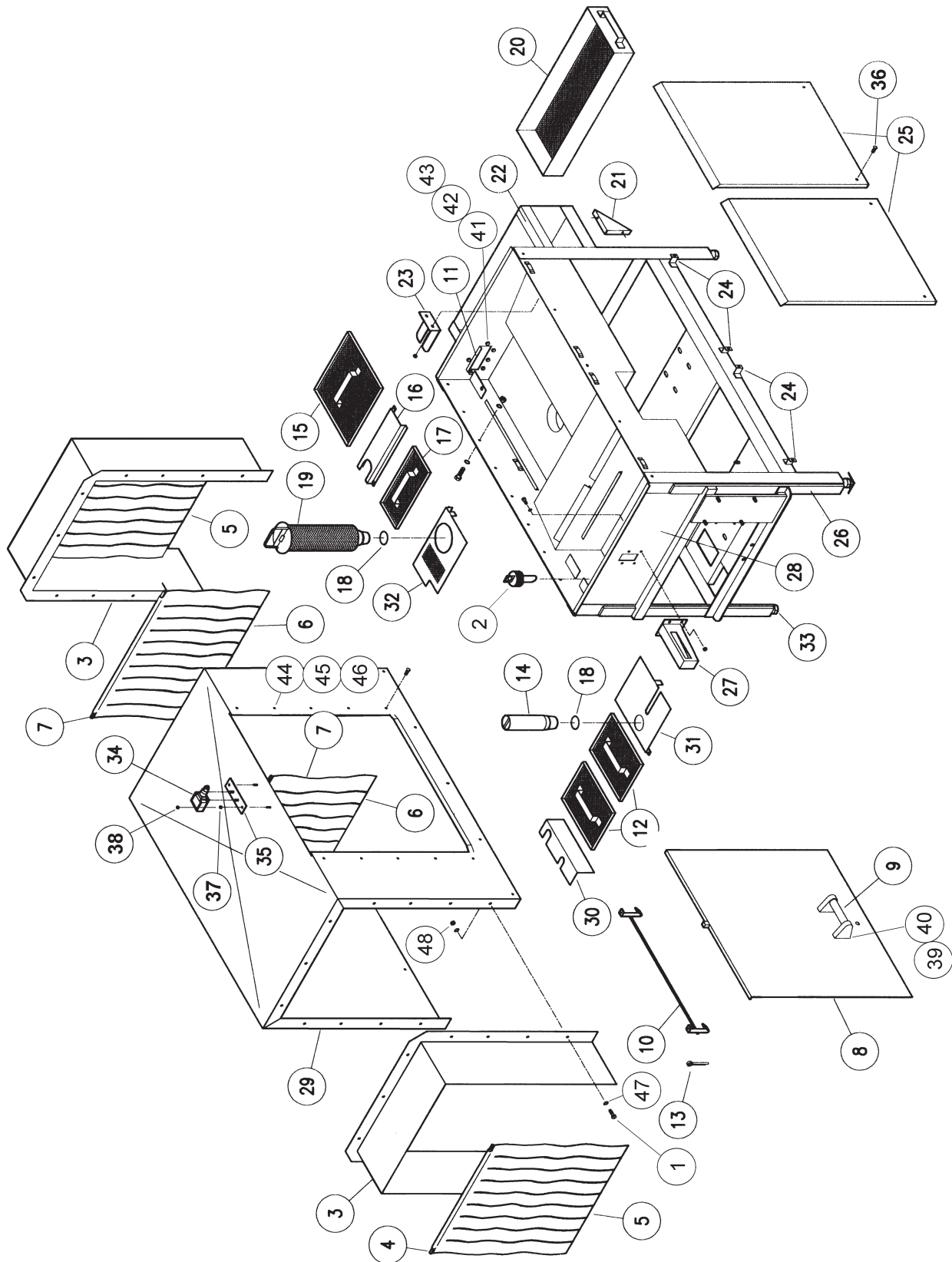
# Cabinet Assembly

## ADC-44 L-R Tall

Ref. No.	Part No.	No. Req.	Description
N/S	<a href="#">289-6623</a>	2	Gasket, Scrap Trap Spacer, Teflon
32	<a href="#">289-6611</a>	2	Gasket, 'O' Ring Wash/Rinse Taper
33	<a href="#">285-6162</a>	1	Filter Screen Weldment, Rinse Pump
34	<a href="#">099-4502</a>	1	Switch, Door Cut-Off
35	<a href="#">285-6103</a>	1	Bracket, Door Cut-Off (Holds Switch)
N/S	<a href="#">285-6146</a>	1	Cover, Transfer Chute Weldment L-R
36	<a href="#">098-1414</a>	4	Bolt, 1/4"-20 x 1/2", TH, SS
37	<a href="#">098-2507</a>	2	Locknut, 1/4"-20, SS
38	<a href="#">098-2301</a>	2	Locknut, 10-32, SS
N/S	<a href="#">285-6258</a>	Opt	Vent Weldment, 8"
N/S	<a href="#">285-6244</a>	Opt	Vent Extension (Fits 4" x 16" Vents-16OA, Can be cut with a sawz-all)
N/S	<a href="#">289-9116</a>	Rep	Scrap Accumulator, L-R Complete
N/S	<a href="#">288-1076</a>	Tool	Kit, Pallet Removal
N/S	<a href="#">286-6276</a>	Rep	Catch, Door Safety (Catch Only)
N/S	<a href="#">288-1065</a>	Opt	Plug, Probe + Injection Hole (Two per Machine)
N/S	<a href="#">285-6275</a>	1	Base, Door Safety Latch, Tall Conveyor
39	<a href="#">098-1414</a>	4	Screw, 1/4"-20 x 1/2" TH, SS (Door Handle)
40	<a href="#">098-2416</a>	4	Washer, 1/4" Flat, SS (Door Handle)
41	<a href="#">098-2507</a>	10	Locknut, 1/4"-20 w/nylon Insert, SS (Scrap Trap)
42	<a href="#">098-1426</a>	8	Bolt, 1/4"-20 x 3/4", HH, SS (Scrap Trap)
43	<a href="#">098-2416</a>	8	Washer, 1/4" Flat, SS (Scrap Trap)
44	<a href="#">098-1414</a>	4	Screw, 1/4"-20 x 1/2", TH, SS (Per Door Guide)
45	<a href="#">098-2507</a>	4	Locknut, 1/4"-20 w/nylon Insert, SS (Per Door Guide)
46	<a href="#">098-2416</a>	4	Washer, 1/4" Flat, SS (Per Door Guide)
47	<a href="#">098-2416</a>	18	Washer, 1/4" Flat, SS (Per End Shield)
48	<a href="#">098-2507</a>	9	Locknut, 1/4"-20 W/Nylon Insert (Per End Shield)

# Cabinet Assembly

## ADC-44 L-R Tall



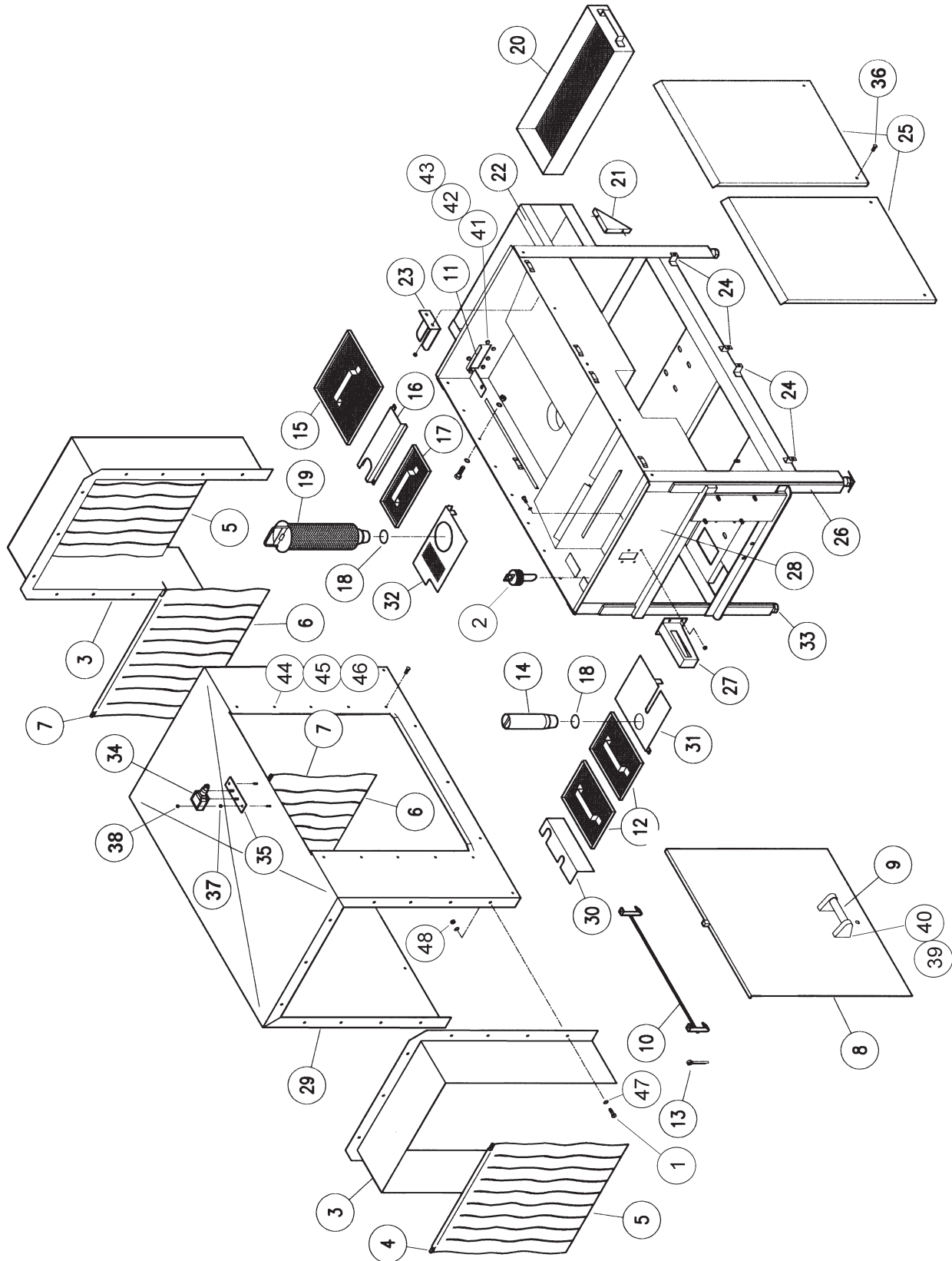
# Cabinet Assembly

## ADC-44 L-R Tall

Ref. No.	Part No.	No. Req.	Description
1	<a href="#">098-1423</a>	9	Bolt, 1/4"-20 x 1/2" HH, SS (Per End Shield)
2	<a href="#">285-6162</a>	1	Filter Screen Weldment, Rinse Pump
3	<a href="#">285-6265</a>	2	Hood End Shield Weldment, Cowl Tall
N/S	<a href="#">285-6116</a>	Opt-2	Vent Weldment, Hood End Shield (4" Tall)
4	<a href="#">284-6122</a>	2	Rod, Curtain 5/16" x 20.5" Lg
5	<a href="#">299-1012</a>	2	Curtain 21" Wide x 25" Tall (End Curtains)
6	<a href="#">299-1002</a>	2	Curtain 23" Wide x 11" Tall
7	<a href="#">284-6121</a>	2	Rod, Curtain 5/16" x 24" Lg
8	<a href="#">285-6266</a>	1	Door Weldment Tall, Front Access Less Handle
N/S	<a href="#">287-6223</a>	2	Door Guide Tall, SS
9	<a href="#">285-6139</a>	1	Handle Weldment, Front Access Door
10	<a href="#">285-6125</a>	1	Latch Weldment, Door
11	<a href="#">285-6132</a>	1	Spacer Weldment, Scrap Trap
N/S	<a href="#">289-6623</a>	2	Gasket, Scrap Trap Spacer, Teflon
12	<a href="#">285-6123</a>	2	Screen, Weldment Tank, Rinse Tank (9-3/4" x 7")
13	<a href="#">098-8008</a>	2	Cotter Pin, 3/32" x 1" SS
14	<a href="#">281-6210</a>	1	Drain Stand Tube with O-Ring, Rinse Tank
15	<a href="#">285-6121</a>	1	Screen Weldment, Wash R-L, Large (10-3/4" x 8-3/8")
16	<a href="#">286-6179</a>	1	Cover, Wash Manifold
17	<a href="#">285-6122</a>	1	Screen Weldment, Wash Small (10-3/4" x 5-3/8")
18	<a href="#">289-6611</a>	2	Gasket, 'O' Ring Wash/Rinse Taper
19	<a href="#">281-6211</a>	1	Filter, Wash Pump with O-Ring
20	<a href="#">289-9109</a>	1	Tray, Scrap Trap, Complete
21	<a href="#">289-9114</a>	1	Support, Scrap Trap
22	<a href="#">289-9110</a>	1	Scrap Trap (Box Only), R-L
23	<a href="#">286-6182</a>	1	Guard, Wash Magnet
24	<a href="#">285-6151</a>	4	Front Panel Mount Weldment, Lower
25	<a href="#">285-6120</a>	2	Panel Weldment, Front
26	<a href="#">285-6118</a>	1	Frame Weldment, R-L
27	<a href="#">285-6119</a>	1	Drip Chute Weldment
N/S	<a href="#">289-6601</a>	1	Gasket, Drip Chute
28	<a href="#">285-6117</a>	1	Pan Weldment, R-L With Wash Float Cover
29	<a href="#">285-6264</a>	1	Hood Weldment Tall, R-L
30	<a href="#">285-6126</a>	1	Cover Weldment, Rinse float, R-L

# Cabinet Assembly

## ADC-44 L-R Tall



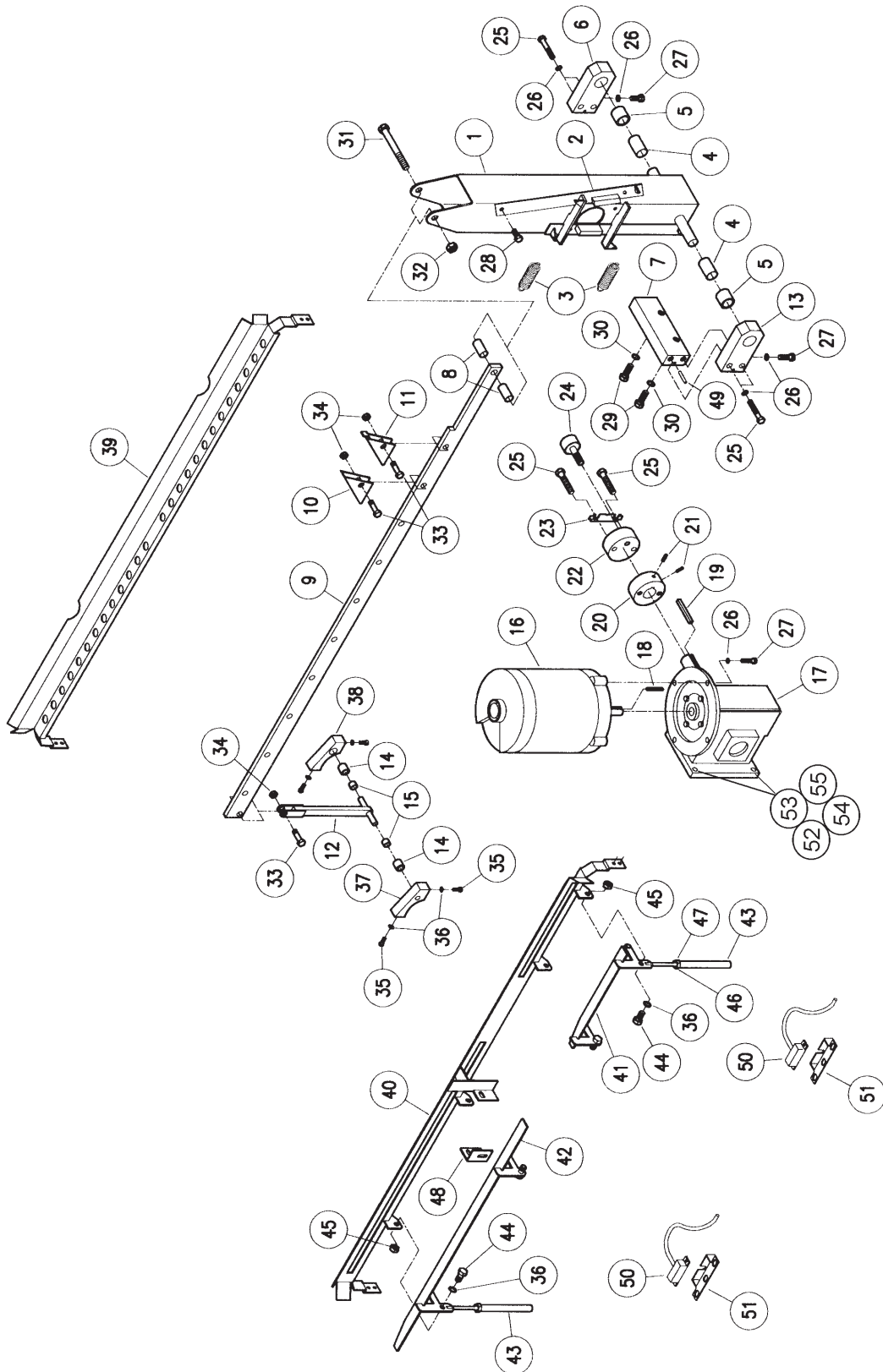
# Cabinet Assembly

## ADC-44 L-R Tall

Ref. No.	Part No.	No. Req.	Description
31	<a href="#">286-6176</a>	1	Plate, Rinse Stand Tube, R-L
32	<a href="#">286-6174</a>	1	Plate, Wash Pump Filter, R-L
33	<a href="#">099-1024</a>	4	Bullet Feet, SS
34	<a href="#">099-4502</a>	1	Switch, Door Cut-Off
35	<a href="#">285-6103</a>	1	Bracket, Door Cut-Off, "Holds Switch"
N/S	<a href="#">285-6131</a>	1	Cover, Transfer Chute, Weldment R-L
36	<a href="#">098-1414</a>	4	Bolt, 1/4"-20 x 1/2", TH, SS
37	<a href="#">098-2507</a>	2	Locknut, 1/4"-20, SS
38	<a href="#">098-2301</a>	2	Locknut, 10-32, SS
N/S	<a href="#">286-6305</a>	Rep	Cover, Float Bolt-On R-L
N/S	<a href="#">285-6258</a>	Opt	Vent Weldment 8"
N/S	<a href="#">285-6244</a>	Opt	Vent Extension (fits 4" x 16" Vents, 16" OA can be cut with a sawz-all)
N/S	<a href="#">289-9117</a>	Rep	Scrap Accumulator, Complete R-L
N/S	<a href="#">285-6275</a>	1	Base, Door Safety Latch, Tall Conveyor
N/S	<a href="#">286-6276</a>	Rep	Catch, Door Safety (Catch Only)
N/S	<a href="#">288-1076</a>	Tool	Kit, Pallet Removal
N/S	<a href="#">288-1065</a>	Opt	Plug, Probe, & Injection Hole (2 Per Machine)
N/S	<a href="#">098-2308</a>	2	Wingnut, 1/4"-20, Lock (For Float Cover)
39	<a href="#">098-1414</a>	4	Screw, 1/4"-20 x 1/2" TH, SS (Door Handle)
40	<a href="#">098-2416</a>	4	Washer, 1/4" Flat, SS (Door Handle)
41	<a href="#">098-2507</a>	10	Locknut With Nylon Insert, SS (Scrap Trap)
42	<a href="#">098-1426</a>	8	Bolt, 1/4"-20 x 3/4" HH, SS (Scrap Trap)
43	<a href="#">098-2416</a>	8	Washer, 1/4" Flat, SS (Scrap Trap)
44	<a href="#">098-1414</a>	4	Screw, 1/4"-20 x 1/2" TH, SS (Per Door Guide)
45	<a href="#">098-2507</a>	4	Locknut With Nylon Insert, SS (Per Door Guide)
46	<a href="#">098-2416</a>	4	Washer, 1/4" Flat, SS (Per Door Guide)
47	<a href="#">098-2416</a>	18	Washer, 1/4" Flat, SS (Per End Shield)
48	<a href="#">098-2507</a>	9	Locknut With Nylon Insert, SS (Per End Shield)

# Conveyor Drive & Tray Track Control

## ADC-44 L-R Tall



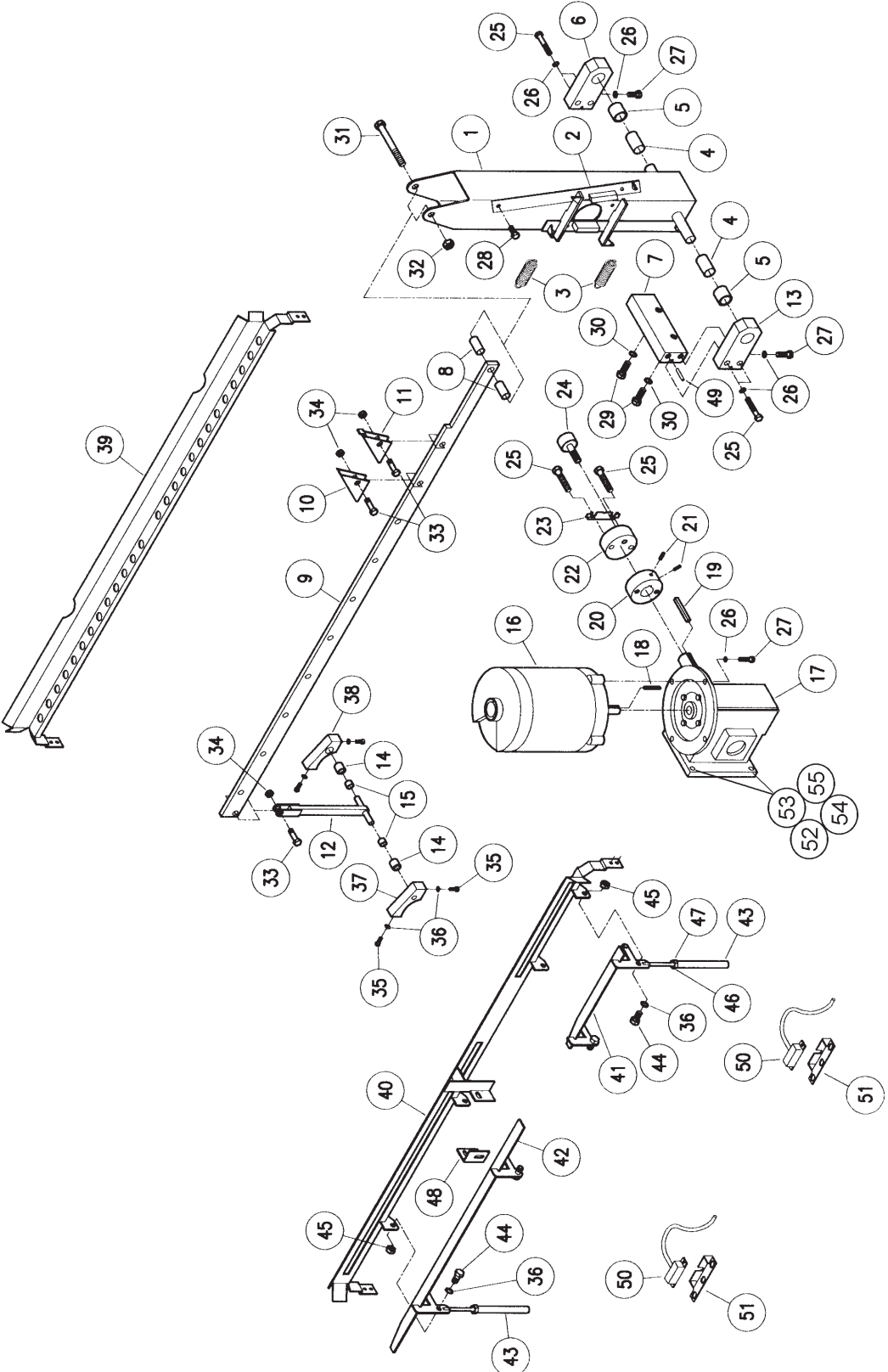
# Conveyor Drive & Tray Track Control

## ADC-44 L-R Tall

Ref. No.	Part No.	No. Req.	Description
1	<a href="#">285-6133</a>	1	Rocker Arm Weldment
2	<a href="#">285-6134</a>	2	Slip Clutch Bar Weldment (Rubbing Block)
3	<a href="#">298-3001</a>	2	Spring, Slip Clutch
4	<a href="#">284-6142</a>	2	Spacer, Rocker Arm
5	<a href="#">298-4001</a>	2	Bushing, Rocker Arm, 1" OD x 3/4" ID x 7/8" Lg
6	<a href="#">284-6141</a>	1	Block, Pillow Bushing, RH
7	<a href="#">284-6139</a>	1	Block, Base, Pillow Bushing
8	<a href="#">284-6149</a>	2	Spacer, Conveyor Connecting Bolt
9	<a href="#">284-6138</a>	1	Bar, Conveyor, Approximately 47" Long, Less Dogs
N/S	<a href="#">284-6187</a>	Opt.	Bar, Side Loader Conv., Approx, 69" Long, Less Dogs
N/S	<a href="#">285-6187</a>	Opt.	Guide Weldment, Side Loader Bar, "Rubbing Block"
10	<a href="#">285-6136</a>	6	Dog Weldment, Conveyor
11	<a href="#">285-6137</a>	4	Exit Dog Weldment, Conveyor
N/S	<a href="#">285-6138</a>	Opt.	Side Loader Dog Weldment, Conveyor
12	<a href="#">285-6135</a>	1	Idler Arm Weldment
13	<a href="#">284-6140</a>	1	Block, Pillow Bushing LH
14	<a href="#">298-4002</a>	2	Bushing, Idler Arm, 5/8" OD x 3/8" ID x 5/8" Lg
15	<a href="#">284-6143</a>	2	Spacer, Idler Arm, 5/8" OD x 3/8" ID x 3/8" Lg
16	<a href="#">291-1003</a>	1	Motor 1/3 HP, 3PH
N/S	<a href="#">291-1007</a>	Opt.	Motor 1/3 HP, 1PH
N/S	<a href="#">299-1008</a>	1	Cover, Conveyor Drive Motor w/Screws
17	<a href="#">291-1004</a>	1	Gear Box (53:1) (Reducer)
18	<a href="#">284-6201</a>	1	Key, Conveyor Drive Motor
19	<a href="#">284-6137</a>	1	Key, Cam Block (For Cam Block A)
20	<a href="#">284-6134</a>	1	Cam Block (A) Gear Box Side
21	<a href="#">098-1441</a>	2	Screw, Set, 1/4"-20 x 1/2" Lg (For Cam Block A)
22	<a href="#">284-6135</a>	1	Cam Block (B) Cam Follower Side
23	<a href="#">286-6189</a>	1	Bolt Lock, Cam Follower
24	<a href="#">281-6201</a>	1	Bearing, Cam Follower
25	<a href="#">098-1611</a>	6	Bolt, 3/8"-16 x 2 Lg, HH, SS
26	<a href="#">098-2710</a>	10	Washer, 3/8", Split, SS
27	<a href="#">098-1614</a>	6	Bolt, 3/8" x 1", HH, SS
28	<a href="#">098-1506</a>	2	Bolt, 5/16"-18 x 3/4" Lg, HH, SS
29	<a href="#">098-1802</a>	2	Bolt, 1/2"-13 x 1-1/4" Lg, HH, SS
30	<a href="#">098-2802</a>	2	Washer, 1/2", Split, SS

# Conveyor Drive & Tray Track Control

## ADC-44 L-R Tall



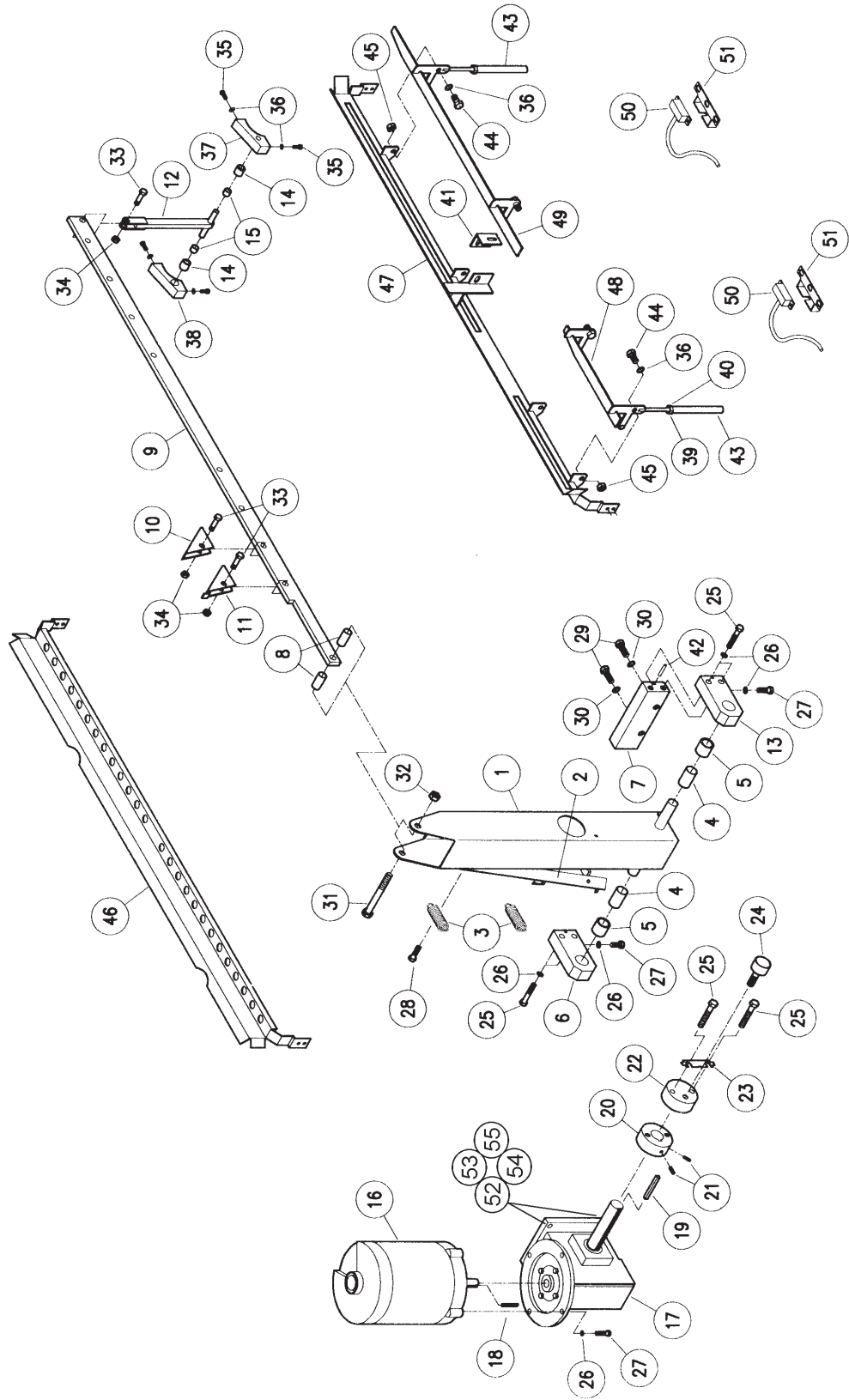
# Conveyor Drive & Tray Track Control

## ADC-44 L-R Tall

Ref. No.	Part No.	No. Req.	Description
31	<a href="#">098-1801</a>	1	Bolt, 1/2"-13 x 4" Lg, HH, SS
32	<a href="#">098-2801</a>	1	Locknut, 1/2"-13
33	<a href="#">098-1612</a>	11	Dog Bolt, 3/8"-16 x 1-1/8" with 3/4" Shoulder
34	<a href="#">098-2708</a>	11	Locknut, 3/8"-16 SS
35	<a href="#">098-1424</a>	4	Bolt, 1/4"-20 x 3/8" Lg, HH, SS
36	<a href="#">098-2416</a>	12	Washer, 1/4", SS
37	<a href="#">284-6130</a>	1	Bushing Mount, Idler Arm (A) L-R
38	<a href="#">284-6131</a>	1	Bushing Mount, Idler Arm (B) L-R
39	<a href="#">285-6113</a>	1	Tray Track Weldment, Rear, L-R & R-L
40	<a href="#">285-6112</a>	1	Tray Track Weldment, Front L-R
41	<a href="#">285-6108</a>	1	Tray Track Sequence Bar Weldment, Rinse L-R
42	<a href="#">285-6107</a>	1	Tray Track Sequence Bar Weldment, Wash L-R
43	<a href="#">285-6109</a>	2	Magnet Weldment, Tray Track Sequence Bar
44	<a href="#">098-1428</a>	4	Bolt, 1/4"-20 x 1-1/8" Lg , HH, SS
45	<a href="#">098-2507</a>	4	Locknut, 1/4"-20, SS, W/Nylon Insert
46	<a href="#">098-2506</a>	2	Washer, 5/16" Split, SS
47	<a href="#">098-2502</a>	2	Nut, 5/16"-18, SS
48	<a href="#">286-6178</a>	2	Bracket, Tray Track Mount
49	<a href="#">098-8009</a>	2	Dowel Pin 3/16" x 1" Lg, SS
50	<a href="#">291-3011</a>	2	Switch, Reed
51	<a href="#">286-6113</a>	2	Bracket, Reed Switch
52	<a href="#">098-1438</a>	2	Bolt, 3/8"-16 x 1-1/4" Lg, HH, SS (For Gear Box)
53	<a href="#">098-2708</a>	2	Locknut, 3/8"-16, SS (For Gear Box)
54	<a href="#">098-2710</a>	2	Lockwasher, 3/8", Split, SS (For Gear Box)
55	<a href="#">098-1614</a>	2	Bolt, 3/8"-16 x 1" Lg, HH, SS (For Gear Box)
N/S	<a href="#">288-1047</a>	Rep	Conveyor Drive Motor and Gear Box Assembly, 3 Ph
N/S	<a href="#">288-1053</a>	Tool	Tool, Conveyor Clutch Spring
N/S	<a href="#">288-1072</a>	Rep	Conveyor Drive motor and Gear Box Assembly, 1 Ph

# Conveyor Drive & Tray Track Control

## ADC-44 L-R Tall



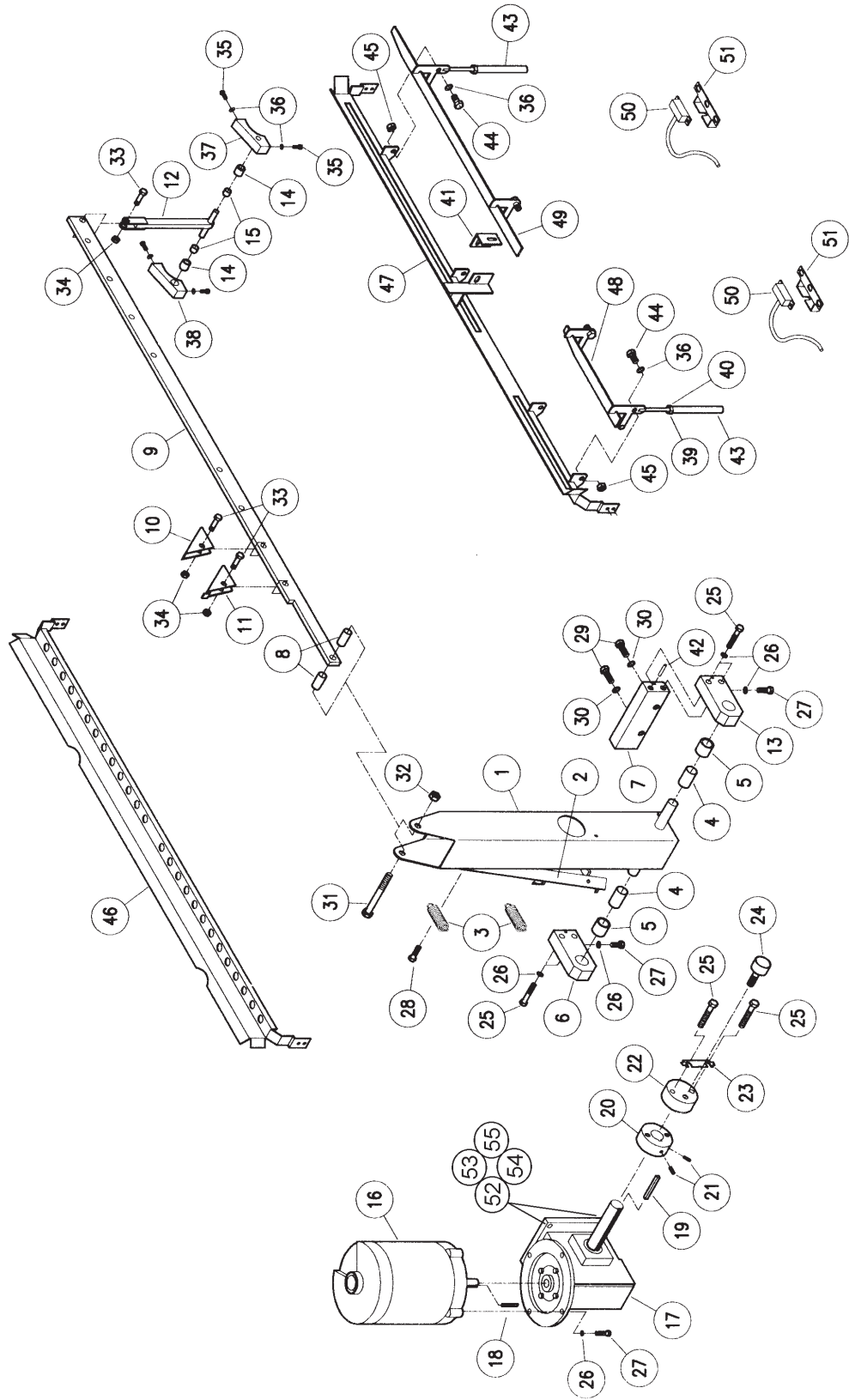
# Conveyor Drive & Tray Track Control

## ADC-44 L-R Tall

Ref. No.	Part No.	No. Req.	Description
1	<a href="#">285-6133</a>	1	Rocker Arm Weldment
2	<a href="#">285-6134</a>	2	Slip Clutch Bar Weldment (Rubbing Block)
3	<a href="#">298-3001</a>	2	Spring, Slip Clutch
4	<a href="#">284-6142</a>	2	Spacer, Rocker Arm
5	<a href="#">298-4001</a>	2	Bushing, Rocker Arm, 1" OD x 3/4" ID x 7/8" Lg
6	<a href="#">284-6140</a>	1	Block, Pillow Bushing, LH
7	<a href="#">284-6139</a>	1	Block, Base, Pillow Bushing
8	<a href="#">284-6149</a>	2	Spacer, Conveyor Connecting Bolt
9	<a href="#">284-6138</a>	1	Bar, Conveyor, Approximately 47" Long, Less Dogs
N/S	<a href="#">284-6187</a>	Opt.	Bar, Side Loader Conv., Approx. 69" Long, Less Dogs
N/S	<a href="#">285-6187</a>	Opt.	Guide Weldment, Side Loader Bar, "Rubbing Block"
10	<a href="#">285-6136</a>	6	Dog Weldment, Conveyor
11	<a href="#">285-6137</a>	4	Exit Dog Weldment, Conveyor
N/S	<a href="#">285-6138</a>	Opt.	Side Loader Dog Weldment, Conveyor
12	<a href="#">285-6135</a>	1	Idler Arm Weldment
13	<a href="#">284-6141</a>	1	Block, Pillow Bushing RH
14	<a href="#">298-4002</a>	2	Bushing, Idler Arm, 5/8" OD x 3/8" ID x 5/8" Lg
15	<a href="#">284-6143</a>	2	Spacer, Idler Arm, 5/8" OD x 3/8" ID x 3/8" Lg
16	<a href="#">291-1003</a>	1	Motor 1/3 HP, 3PH
N/S	<a href="#">291-1007</a>	Opt.	Motor 1/3 HP, 1PH
N/S	<a href="#">299-1008</a>	1	Cover, Conveyor Drive Motor w/Screws
17	<a href="#">291-1004</a>	1	Gear Box (53:1) (Reducer)
18	<a href="#">284-6201</a>	1	Key, Conveyor Drive Motor
19	<a href="#">284-6137</a>	1	Key, Cam Block (For Cam Block A)
20	<a href="#">284-6134</a>	1	Cam Block (A) Gear Box Side
21	<a href="#">098-1441</a>	2	Screw, Set, 1/4"-20 x 1/2" Lg (For Cam Block A)
22	<a href="#">284-6135</a>	1	Cam Block (B) Cam Follower Side
23	<a href="#">286-6189</a>	1	Bolt Lock, Cam Follower
24	<a href="#">281-6201</a>	1	Bearing, Cam Follower
25	<a href="#">098-1611</a>	6	Bolt, 3/8"-16 x 2" Lg, HH, SS
26	<a href="#">098-2710</a>	10	Washer, 3/8", Split, SS
27	<a href="#">098-1614</a>	6	Bolt, 3/8" x 1", HH, SS
28	<a href="#">098-1506</a>	2	Bolt, 5/16"-18 x 3/4" Lg, HH, SS
29	<a href="#">098-1802</a>	2	Bolt, 1/2"-13 x 1-1/4" Lg, HH, SS
30	<a href="#">098-2802</a>	2	Washer, 1/2", Split, SS

# Conveyor Drive & Tray Track Control

## ADC-44 L-R Tall



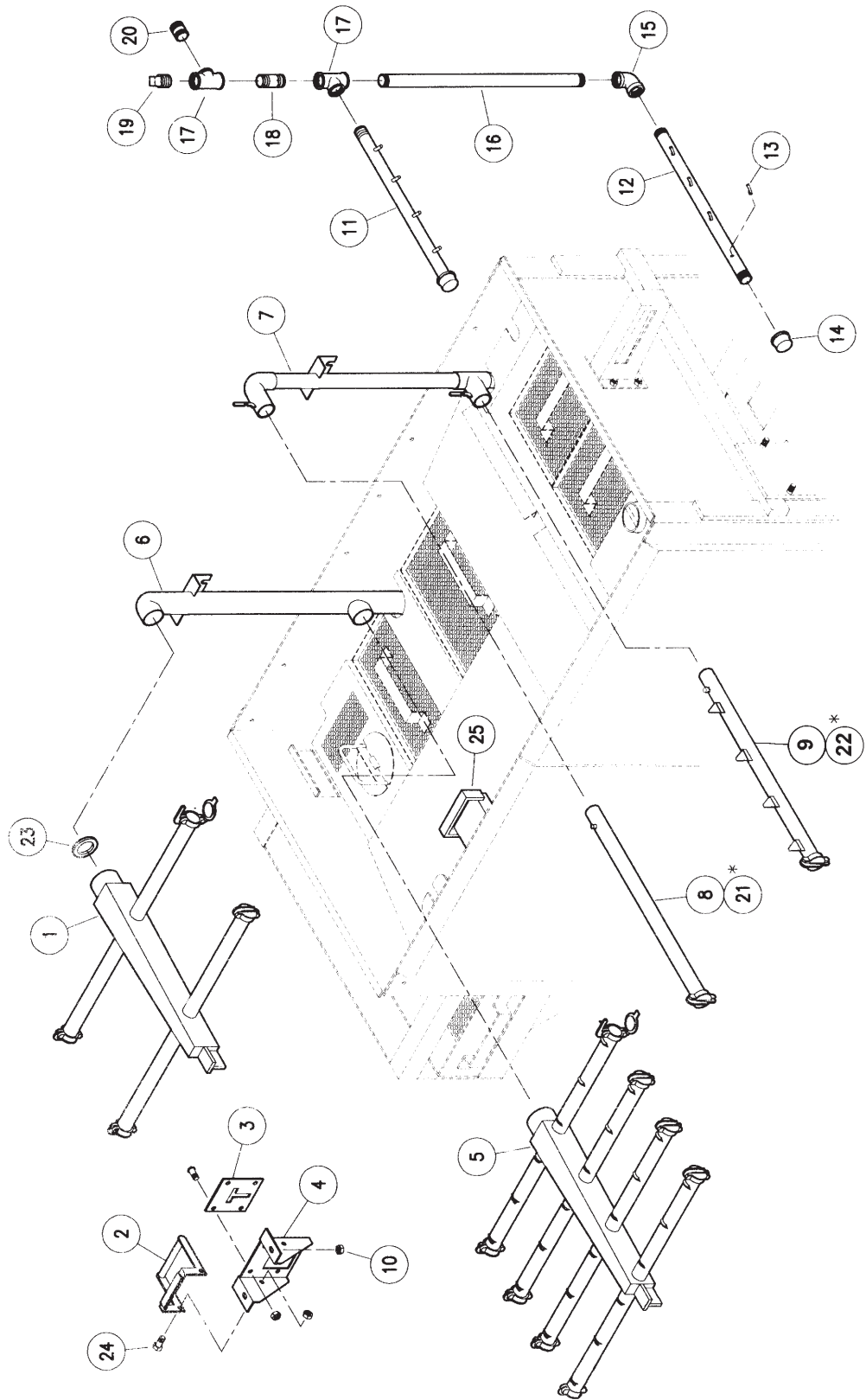
# Conveyor Drive & Tray Track Control

## ADC-44 L-R Tall

Ref. No.	Part No.	No. Req.	Description
31	<a href="#">098-1801</a>	1	Bolt, 1/2"-13 x 4" Lg, HH, SS
32	<a href="#">098-2801</a>	1	Locknut, 1/2"-13
33	<a href="#">098-1612</a>	11	Dog Bolt, 3/8"-16 x 1-1/8" with 3/4" Shoulder
34	<a href="#">098-2708</a>	11	Locknut, 3/8"-16 SS
35	<a href="#">098-1424</a>	4	Bolt, 1/4"-20 x 3/8" Lg, HH, SS
36	<a href="#">098-2416</a>	12	Washer, 1/4", SS
37	<a href="#">284-6132</a>	1	Bushing Mount, Idler Arm (C) R-L
38	<a href="#">284-6133</a>	1	Bushing Mount, Idler Arm (D) R-L
39	<a href="#">098-2506</a>	2	Washer, 5/16" Split, SS
40	<a href="#">098-2502</a>	2	Nut, 5/16"-18, SS
41	<a href="#">286-6178</a>	2	Bracket, Tray Track Mount
42	<a href="#">098-8009</a>	2	Dowel Pin 3/16" x 1" Lg, SS
43	<a href="#">285-6109</a>	2	Magnet Weldment, Tray Track Sequence Bar
44	<a href="#">098-1428</a>	4	Bolt, 1/4"-20 x 1-1/8" Lg, HH, SS
45	<a href="#">098-2507</a>	4	Locknut, 1/4"-20, SS, W/Nylon Insert
46	<a href="#">285-6113</a>	1	Tray Track Weldment, Rear, L-R & R-L
47	<a href="#">285-6110</a>	1	Tray Track Weldment, Front R-L
48	<a href="#">285-6106</a>	1	Tray Track Sequence Bar Weldment, Rinse R-L
49	<a href="#">285-6105</a>	1	Tray Track Sequence Bar Weldment, Wash R-L
50	<a href="#">291-3011</a>	2	Switch, Reed
51	<a href="#">286-6113</a>	2	Bracket, Reed Switch
52	<a href="#">098-1438</a>	2	Bolt, 3/8"-16 x 1-1/4" Lg, HH, SS (For Gear Box)
53	<a href="#">098-2708</a>	2	Locknut, 3/8"-16, SS (For Gear Box)
54	<a href="#">098-2710</a>	2	Lockwasher, 3/8", Split, SS (For Gear Box)
55	<a href="#">098-1614</a>	2	Bolt, 3/8"-16 x 1" Lg, HH, SS (For Gear Box)
N/S	<a href="#">288-1047</a>	Rep	Conveyor Drive Motor and Gear Box Assembly, 3 Ph
N/S	<a href="#">288-1053</a>	Tool	Tool, Conveyor Clutch Spring
N/S	<a href="#">288-1072</a>	Rep	Conveyor Drive motor and Gear Box Assembly, 1 Ph

# Spray System Assemblies

## ADC-44 L-R Tall



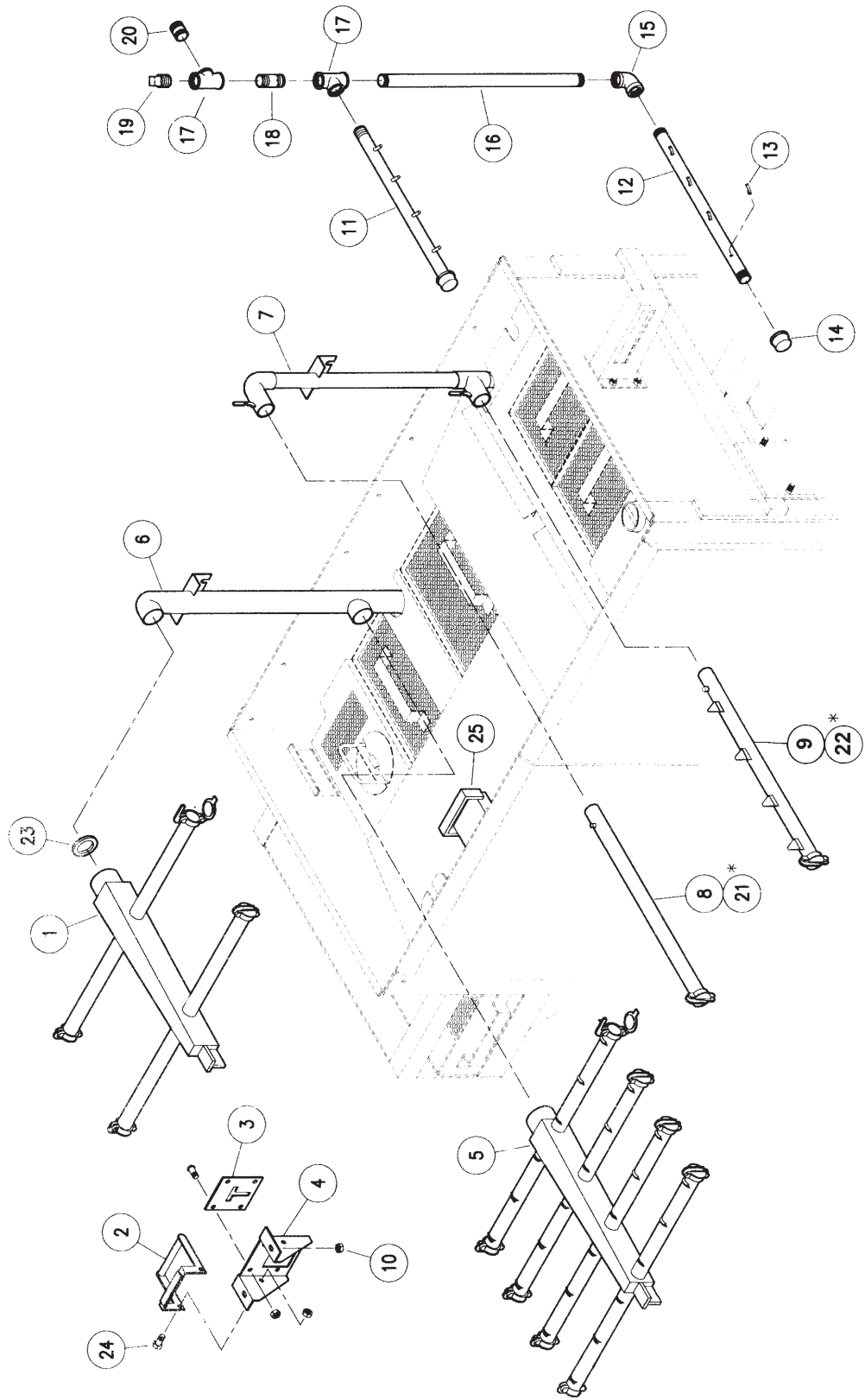
# Spray System Assemblies

## ADC-44 L-R Tall

Ref. No.	Part No.	No. Req.	Description
1	<a href="#">285-6159</a>	1	Upper Wash Arm Weldment Assembly
2	<a href="#">285-6129</a>	1	Handle Weldment, Upper Wash Arm Mount
3	<a href="#">285-6128</a>	1	Tee Plate Weldment, Upper Wash Arm
4	<a href="#">286-6177</a>	1	Bracket, Upper Wash Arm Mount
5	<a href="#">285-6156</a>	1	Lower Wash Arm Weldment Assembly
6	<a href="#">285-6268</a>	1	Manifold Weldment, Inside Wash Tall
7	<a href="#">285-6269</a>	1	Manifold Weldment, Inside Pumped Rinse Tall
8	<a href="#">285-6168</a>	1	Spray Arm Weldment, Pumped Rinse Upper, L-R
9	<a href="#">285-6167</a>	1	Spray Arm Weldment, Pumped Rinse Lower, L-R
10	<a href="#">098-2507</a>	8	Locknut, 1/4"-20, SS
N/S	<a href="#">285-6158</a>	14	Spray Arm Endcap Weldment (Welded to Arm)
11A	<a href="#">281-6208</a>	1	Spray Arm, Final Rinse, Upper, L-R, SS Jets
11B	<a href="#">281-6206</a>		Spray Arm, Final Rinse, Upper, L-R, Poly Jets
11C	<a href="#">281-6204</a>		Spray Arm, Final Rinse, Upper, R-L, SS Jets
11D	<a href="#">281-6202</a>		Spray Arm, Final Rinse, Upper, R-L, Poly Jets
12A	<a href="#">281-6209</a>	1	Spray Arm, Final Rinse, Lower, L-R, SS Jets
12B	<a href="#">281-6207</a>		Spray Arm, Final Rinse, Lower, L-R, Poly Jets
12C	<a href="#">281-6205</a>		Spray Arm, Final Rinse, Lower, R-L, SS Jets
12D	<a href="#">281-6203</a>		Spray Arm, Final Rinse, Lower, R-L, Poly Jets
13A	<a href="#">284-6146</a>	8	Jets, Final Rinse Spray Arm, SS
13B	<a href="#">284-6145</a>		Jets, Final Rinse Spray Arm, Poly
14	<a href="#">292-1011</a>	2	Cap, 1/2" FPT, SS
15	<a href="#">292-1003</a>	1	Fitting, 1/2" FPT, 90° Elbow, SS
16	<a href="#">292-3016</a>	1	Nipple, 1/2" x 27.625" Lg, SS
17	<a href="#">292-1002</a>	2	Fitting, 1/2" x 1/2" x 1/2" Tee, SS
18	<a href="#">292-3010</a>	1	Nipple, 1/2" x 3" SS
19	<a href="#">292-1012</a>	1	Plug, 1/2" MPT, SS
20	<a href="#">292-3014</a>	1	Nipple, 1/2" x 2" Lg, SS
21	<a href="#">285-6170</a>		Spray Arm, Pumped Rinse, Upper, R-L
22	<a href="#">285-6169</a>		Spray Arm, Pumped Rinse, Lower, R-L

# Spray System Assemblies

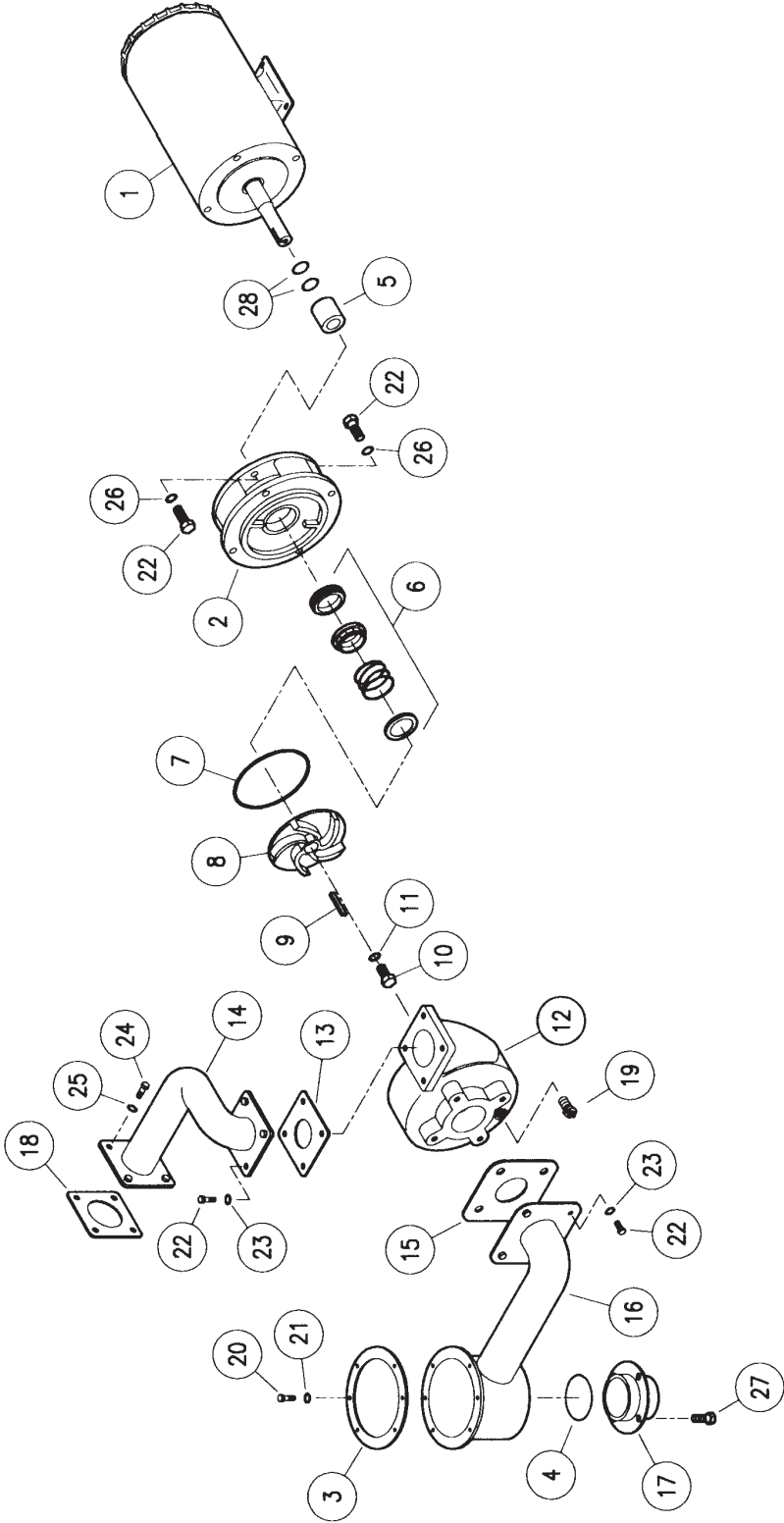
## ADC-44 L-R Tall





# Wash Pump Assembly

## ADC-44 L-R Tall



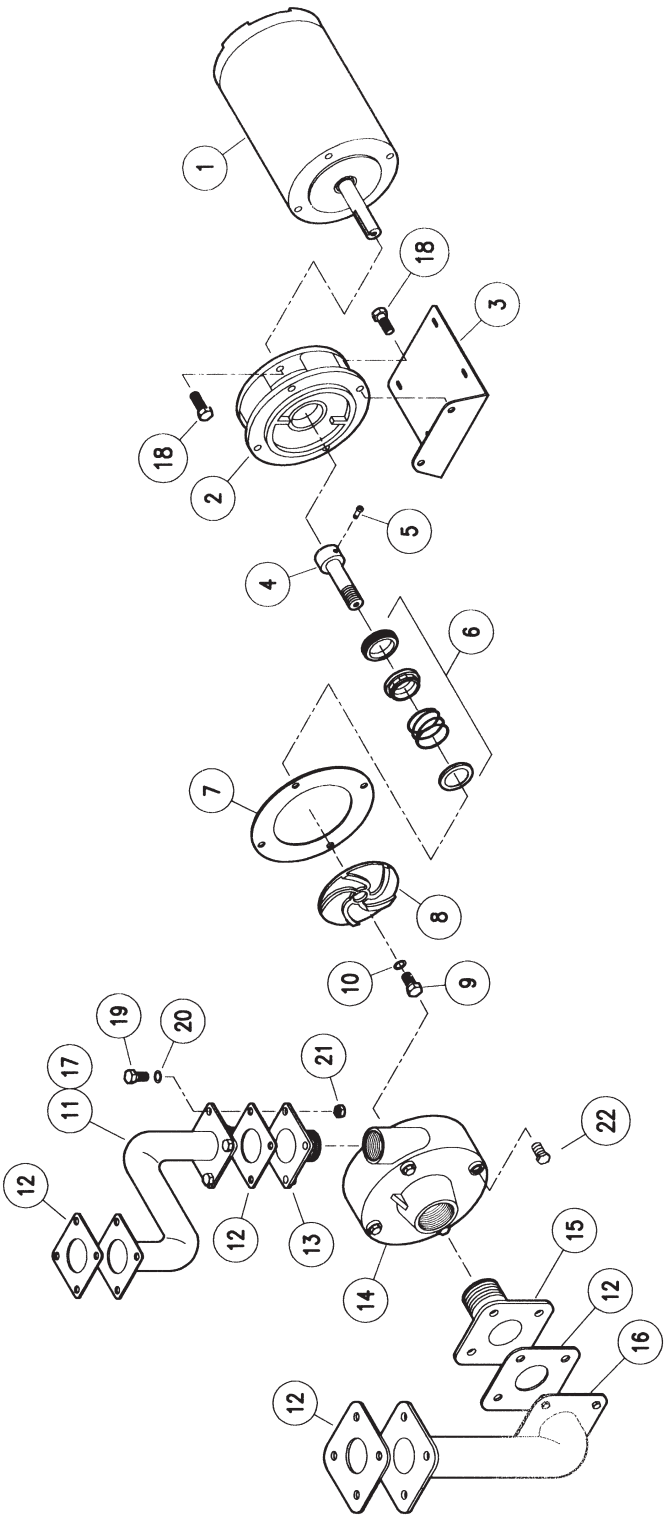
# Wash Pump Assembly

## ADC-44 L-R Tall

Ref. No.	Part No.	No. Req.	Description
1	<a href="#">291-1002</a>	1	Motor, 3HP, 3 Phase w/Sleeve
	<a href="#">291-1006</a>		Motor, 3HP, 1 Phase w/Sleeve
2	<a href="#">282-6301</a>	1	Housing, Rear, Wash
3	<a href="#">289-6621</a>	1	Gasket, Sump, Teflon
4	<a href="#">289-6606</a>	1	Gasket, O-Ring, Drain Socket Flange
5	<a href="#">284-6203</a>	1	Sleeve, Wash Pump Shaft
6	<a href="#">292-2001</a>	1	Seal, Wash Pump
7	<a href="#">289-6603</a>	1	Gasket, Wash Pump O-Ring
8	<a href="#">282-6303</a>	1	Impeller, Wash Pump
9	<a href="#">284-6151</a>	1	Key, Wash Pump Impeller
10	<a href="#">098-1613</a>	1	Bolt, 3/8"-16 x 1" Lg, HH, SS, w/Lock Strip
11	<a href="#">098-2711</a>	1	Washer, 3/8" ID x 1" OD x .103 Thick, SS
12	<a href="#">282-6302</a>	1	Cover, Wash Pump
13	<a href="#">289-6604</a>	1	Gasket, Wash Pump Discharge Flange
14	<a href="#">285-6153</a>	1	Discharge Tube Weldment, Wash Pump
15	<a href="#">289-6605</a>	1	Gasket, Wash Pump Intake Flange
16	<a href="#">285-6154</a>	1	Intake Tube, Sump Weldment, Wash Pump
17	<a href="#">285-6157</a>	1	Drain Socket Weldment, Wash
18	<a href="#">289-6622</a>	2	Gasket, Wash Tank Flange, Teflon
19	<a href="#">092-1158</a>	1	Plug, 1/4" MPT, HH
20	<a href="#">098-1423</a>	6	Bolt, 1/4"-20 x 1/2" Lg, HH, SS
21	<a href="#">098-2416</a>	6	Washer, 1/4" SS
22	<a href="#">098-1614</a>	16	Bolt, 3/8"-16 x 1" Lg, HH, SS
23	<a href="#">098-2711</a>	8	Washer, 3/8" ID x 1" OD x .103 Thick, SS
24	<a href="#">098-1510</a>	4	Bolt, 5/16"-18 x 1-1/4" Lg, HH, SS
25	<a href="#">098-2509</a>	8	Washer, 5/16", SS
26	<a href="#">098-2710</a>	8	Washer, 3/8" Split, SS
27	<a href="#">098-1502</a>	4	Bolt, 5/16"-18 x 1/2", HH, SS
N/S	<a href="#">288-1048</a>	Rep	Pump Assy. Less Cover, Wash, 3HP, 3 Phase
N/S	<a href="#">288-1056</a>	Rep	Pump Assy. Less Cover, Wash, 3HP, 1 Phase
28	<a href="#">289-6618</a>	2	O-Ring, Wash Pump Shaft Sleeve
N/S	<a href="#">098-2510</a>	4	Washer, 5/16" SS Neobond (For Inside of Pump Discharge)

# Rinse Pump Assembly

## ADC-44 L-R Tall



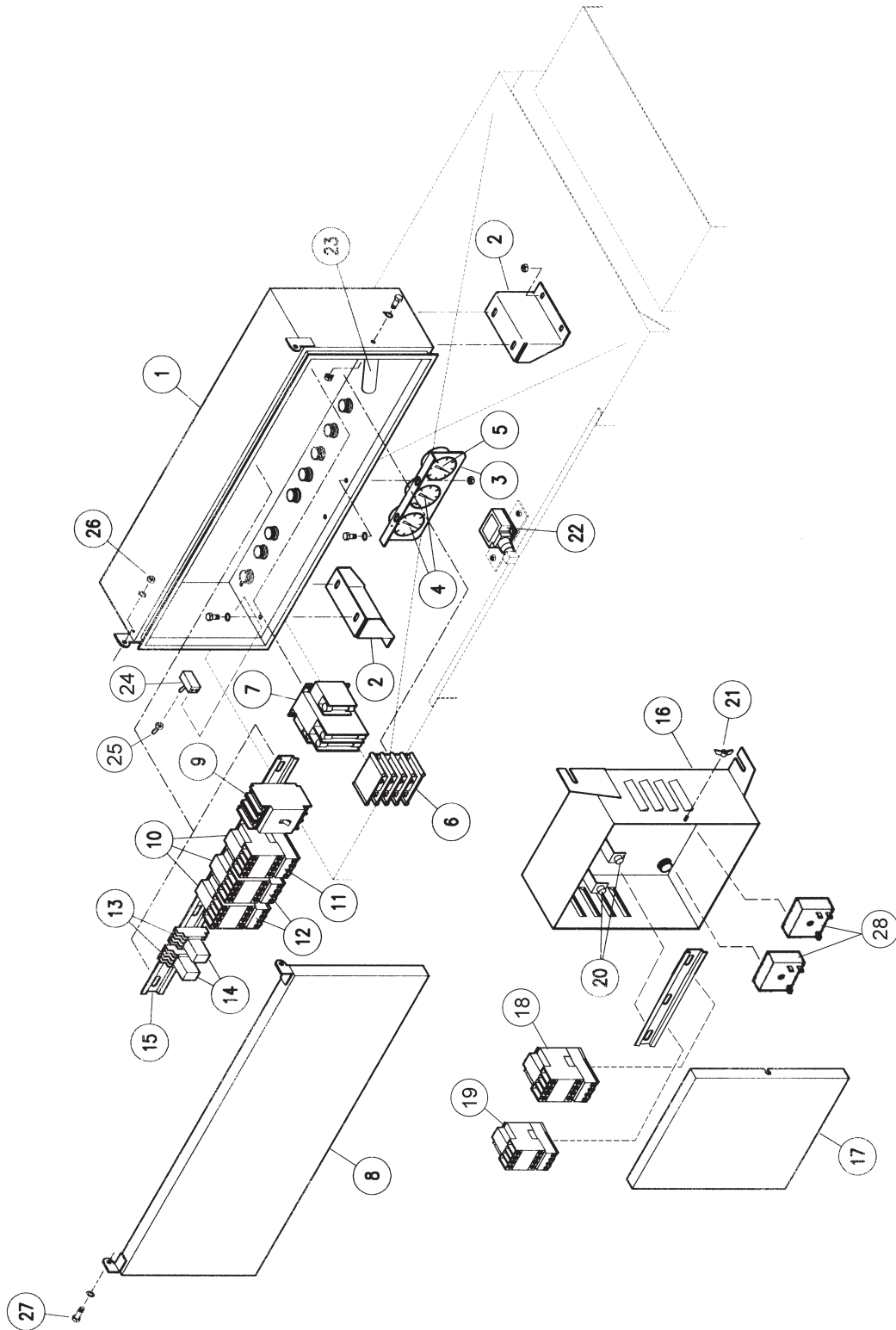
# Rinse Pump Assembly

## ADC-44 L-R Tall

Ref. No.	Part No.	No. Req.	Description
1	<a href="#">291-1003</a>	1	Motor, 1/3 HP, 3 Phase
	<a href="#">291-1007</a>		Motor, 1/3 HP, 1 Phase
2	<a href="#">282-6307</a>	1	Housing, Pumped Rinse Rear
3	<a href="#">286-6250</a>	1	Plate, Pump Rinse Motor Support, w/Pad
4	<a href="#">284-6163</a>	1	Pump Shaft, Pumped Rinse, Auxiliary
5	<a href="#">098-1442</a>	2	Set Screw, 1/4"-20 x 3/8" Lg, Rinse Pump Shaft
6	<a href="#">292-2002</a>	1	Seal, Pumped Rinse Pump
7	<a href="#">289-6609</a>	1	Gasket, Pumped Rinse Pump
8	<a href="#">282-6308</a>	1	Impeller, Pumped Rinse Pump
9	<a href="#">098-1443</a>	1	Bolt, 1/4"-28 x 3/8" Lg HH, SS
10	<a href="#">098-2413</a>	1	Washer, 285 ID x .625 OD x .086 Thick, SS
11	<a href="#">285-6164</a>	1	Discharge Tube Weldment L-R
12	<a href="#">289-6624</a>	4	Gasket, Pumped Rinse Pump Flange, Teflon
13	<a href="#">285-6165</a>	1	Discharge Flange Assembly Weldment
14	<a href="#">282-6306</a>	1	Cover, Pumped Rinse Pump
15	<a href="#">285-6161</a>	1	Intake Flange Weldment Assembly
16	<a href="#">285-6160</a>	1	Intake Tube Weldment
17	<a href="#">285-6163</a>	1	Discharge Tube Weldment R-L
18	<a href="#">098-1607</a>	8	Bolt, 3/8"-16 x 7/8" HH, SS
19	<a href="#">098-1426</a>	16	Bolt, 1/4"-20 x 3/4" HH, SS
20	<a href="#">098-2416</a>	32	Washer, 1/4", SS
21	<a href="#">098-2507</a>	16	Locknut, 1/4"-20, SS, W/Nylon Insert
22	<a href="#">092-1158</a>	1	Plug, 1/4" MPT, SS
N/S	<a href="#">288-1040</a>	Rep	Kit, Rinse Pump Seal (Includes Ref # 6, 7, 9 & 10)
N/S	<a href="#">288-1049</a>	Rep	Pump Assy. Less Cover, Rinse, 1/3HP, 3 Phase
N/S	<a href="#">288-1061</a>	Rep	Pump Assy. Less Cover, Rinse, 1/3HP, 1 Phase

# Control System Assembly

## ADC-44 L-R Tall



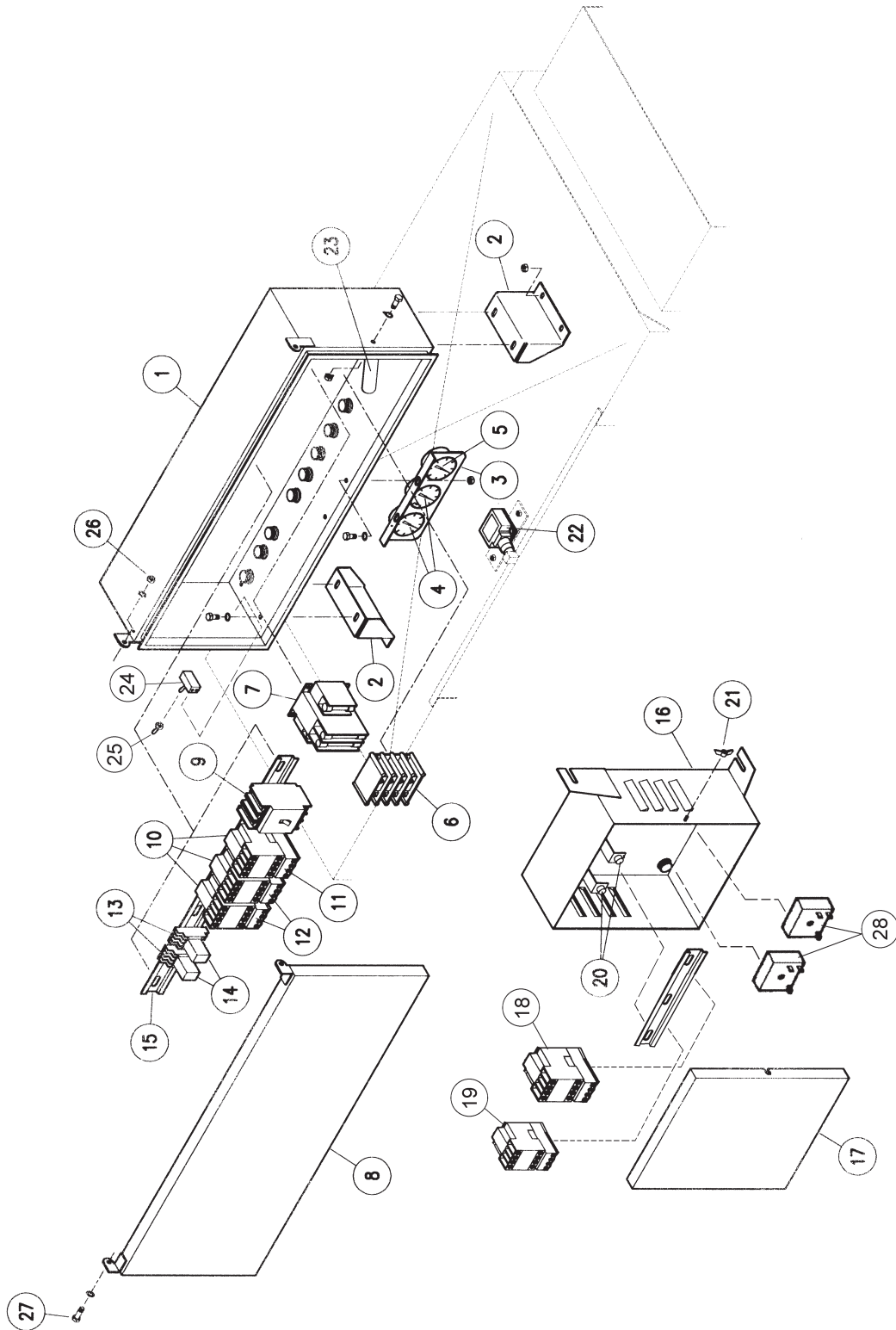
# Control System Assembly

## ADC-44 L-R Tall

Ref. No.	Part No.	No. Req.	Description
1	<a href="#">285-6101</a>	1	Control Box Weldment
2	<a href="#">285-6293</a>	2	Control Box Mounts
3	<a href="#">286-6180</a>	1	Bracket, Temperature Gauge
4	<a href="#">299-1005</a>	2	Gauge, Temperature, Wash & Rinse Tank (6' Capillary)
5	<a href="#">299-1004</a>	1	Gauge, Temperature, Final Rinse (3' Capillary)
6A	<a href="#">291-5101</a>	1	Terminal Block (Main 4 Pole)
6B	<a href="#">391-5105</a>	Opt.	Terminal Block (Main 2 Pole Single Phase)
7	<a href="#">291-3004</a>	1	Transformer w/Jumper Wires
N/S	<a href="#">291-9101</a>	2	Fuse, 3 amp, Primary
N/S	<a href="#">291-9102</a>	1	Fuse, 1 6/10 amp, Secondary
8	<a href="#">285-6102</a>	1	Cover Weldment, Control Box
9A	<a href="#">291-3010</a>	1	Circuit Breaker, 50 amp, 3 Pole, Three Phase
9B	<a href="#">391-3003</a>	Opt.	Circuit Breaker, 20 amp, 2 Pole, Single Phase Rinse
9C	<a href="#">391-3004</a>	Opt.	Circuit Breaker, 60 amp, 2 Pole, Single Phase Wash
10	<a href="#">291-3001</a>	3	Contactor, 110 Volt
11A	<a href="#">291-3002</a>	1	Overload, 3HP, 3 Phase
11B	<a href="#">291-3017</a>	Opt.	Overload, 3HP, 1 Phase
12A	<a href="#">291-3003</a>	2	Overload, 1/3HP, 3 Phase
12B	<a href="#">291-3018</a>	Opt.	Overload, 1/3HP, 1 Phase
13	<a href="#">291-3009</a>	3	Socket, Relay
14	<a href="#">291-3005</a>	3	Relay, 110V, Double Pole
15	<a href="#">291-9104</a>	1	Din Rail, 18" Lg
16	<a href="#">285-6104</a>	1	Power Box Weldment, L-R
16B	<a href="#">285-6238</a>	1	Power Box Weldment, R-L
17	<a href="#">285-6294</a>	1	Cover, Power Box
18	<a href="#">291-3032</a>	1	Contactor, Wash Heater, 110 Volt
19	<a href="#">291-3001</a>	1	Contactor, Rinse Heater, 110 Volt
20	<a href="#">091-7006</a>	2	Light, Heater, 110 Volt
21	<a href="#">098-2308</a>	2	Wingnut, 1/4"-20, SS
22	<a href="#">099-4502</a>	1	Switch, Door Cut-Off
23	<a href="#">284-6101</a>	1	Bar, Control Box Safety
24	<a href="#">091-3008</a>	1	Switch, Master
25	<a href="#">291-9105</a>	1	Boot, Master Switch Cover
N/S	<a href="#">291-7101</a>	1	Light, Indicator, 110 Volt

# Control System Assembly

## ADC-44 L-R Tall



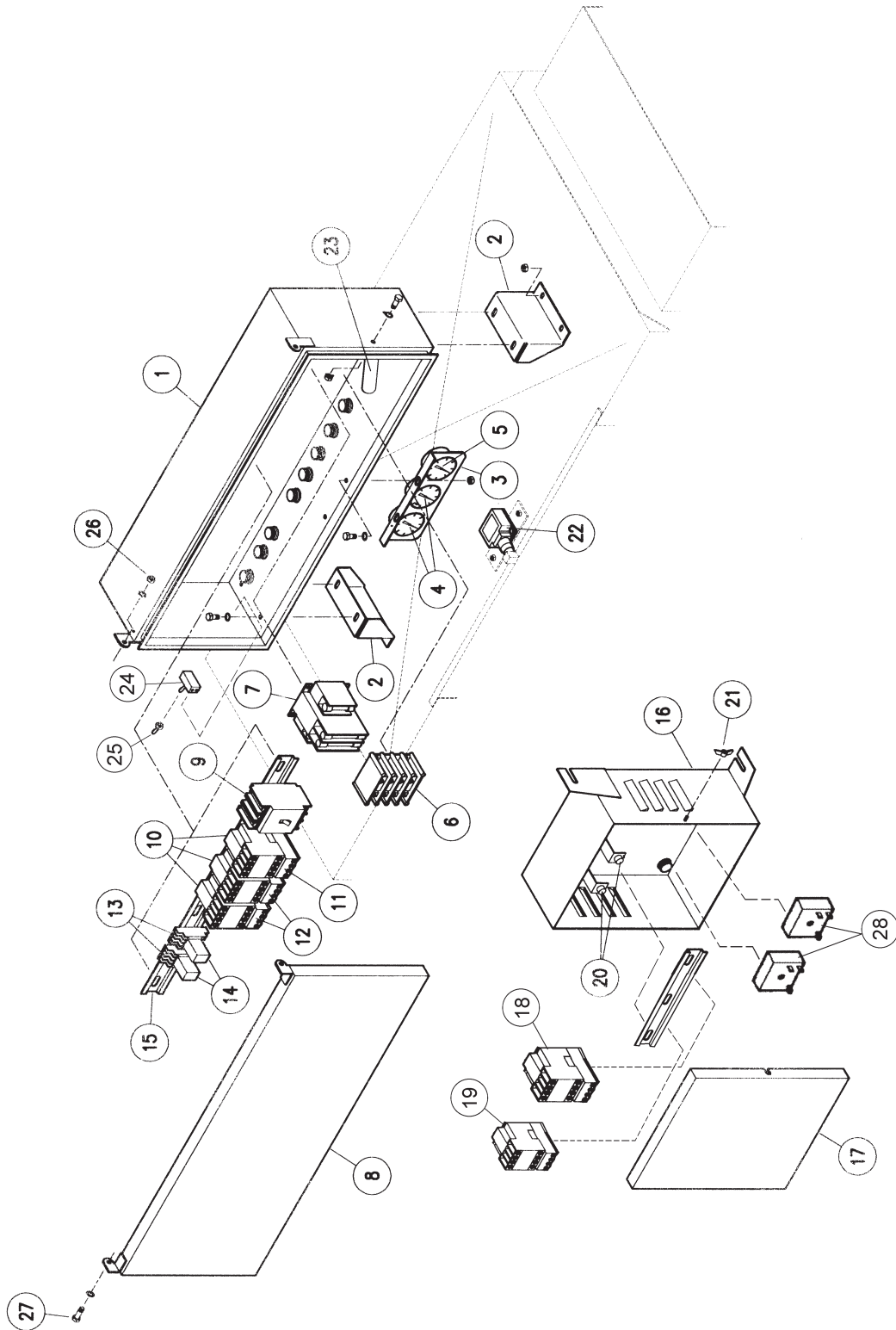
# Control System Assembly

## ADC-44 L-R Tall

Ref. No.	Part No.	No. Req.	Description
26	<a href="#">098-2507</a>	13	Locknut, 1/4"-20 W/nylon insert, SS
27	<a href="#">098-1423</a>	2	Bolt, 1/4"-20 x 1/2" HH, SS
28	<a href="#">291-3027</a>	2	Relay, Heater Contactor Delay, 110 Volt
N/S	<a href="#">291-5103</a>	1	Wire Harness, 3 Phase
N/S	<a href="#">291-3011</a>	2	Switch, Reed
N/S	<a href="#">291-5102</a>	1	Ground Lug
N/S	<a href="#">286-6107</a>	1	Plate, 110v Terminal Block
N/S	<a href="#">291-5104</a>	2	Block, Terminal, Chemical Dispenser, 2 Pole
N/S	<a href="#">091-5010</a>	1	Block, Terminal, 6 Pole (White Wires)
N/S	<a href="#">291-5106</a>	1	Block, Terminal, 6 Pole (Black Wires)
N/S	289-0001	1	Nameplate, ADS
N/S	<a href="#">289-6617</a>	1	Gasket Material, Control Box, 78" (Cut from <a href="#">289-6615</a> )
N/S	<a href="#">289-9204</a>	1	Decal, NSF (244 Racks)
N/S	<a href="#">289-9301</a>	1	Wall Chart, Cleaning, ADS
N/S	<a href="#">289-9209</a>	1	Decal, Wiring Diagram
N/S	<a href="#">291-9108</a>	3	Shield for Contactor Overload (Anti-Tamper)
N/S	<a href="#">096-1002</a>	1	Control Box Lock
N/S	<a href="#">096-1008</a>	1	Control Box Dummy Lock
N/S	<a href="#">091-4152</a>	1	Bell Box
N/S	<a href="#">091-4004</a>	1	Bell Box Cover
N/S	<a href="#">286-6181</a>	1	Bracket, Conduit (Rear of Machine)
N/S	<a href="#">289-9201</a>	1	Decal, Label Set (Blue & Gray) (Temp. Gauge Bracket)
N/S	<a href="#">289-9202</a>	1	Decal, Label Set (Yellow & Black, Inside Control Box)
N/S	<a href="#">289-9206</a>	1	Decal, Temp Gauge, Final Rinse, 180°
N/S	<a href="#">289-9217</a>	Rep.	Decal Set, ADC-44 (Replacement Part)
N/S	<a href="#">299-1010</a>	Rep:	Temp Gauge Cover, Screw-On
N/S	<a href="#">288-1044</a>	Opt.	Kit, Table Limit Switch
N/S	<a href="#">288-1077</a>	Opt.	Kit, Table Limit, For Sheet Pan Racks
N/S	<a href="#">291-3015</a>	Opt.	Switch Only, Table Limit
N/S	<a href="#">291-5107</a>	Opt.	Wire Harness, 1 Phase
N/S	<a href="#">288-1071</a>	Opt.	Kit, Drain Water Tempering
N/S	<a href="#">388-1007</a>	Opt.	Kit, Vent Fan "Signal Only"

# Control System Assembly

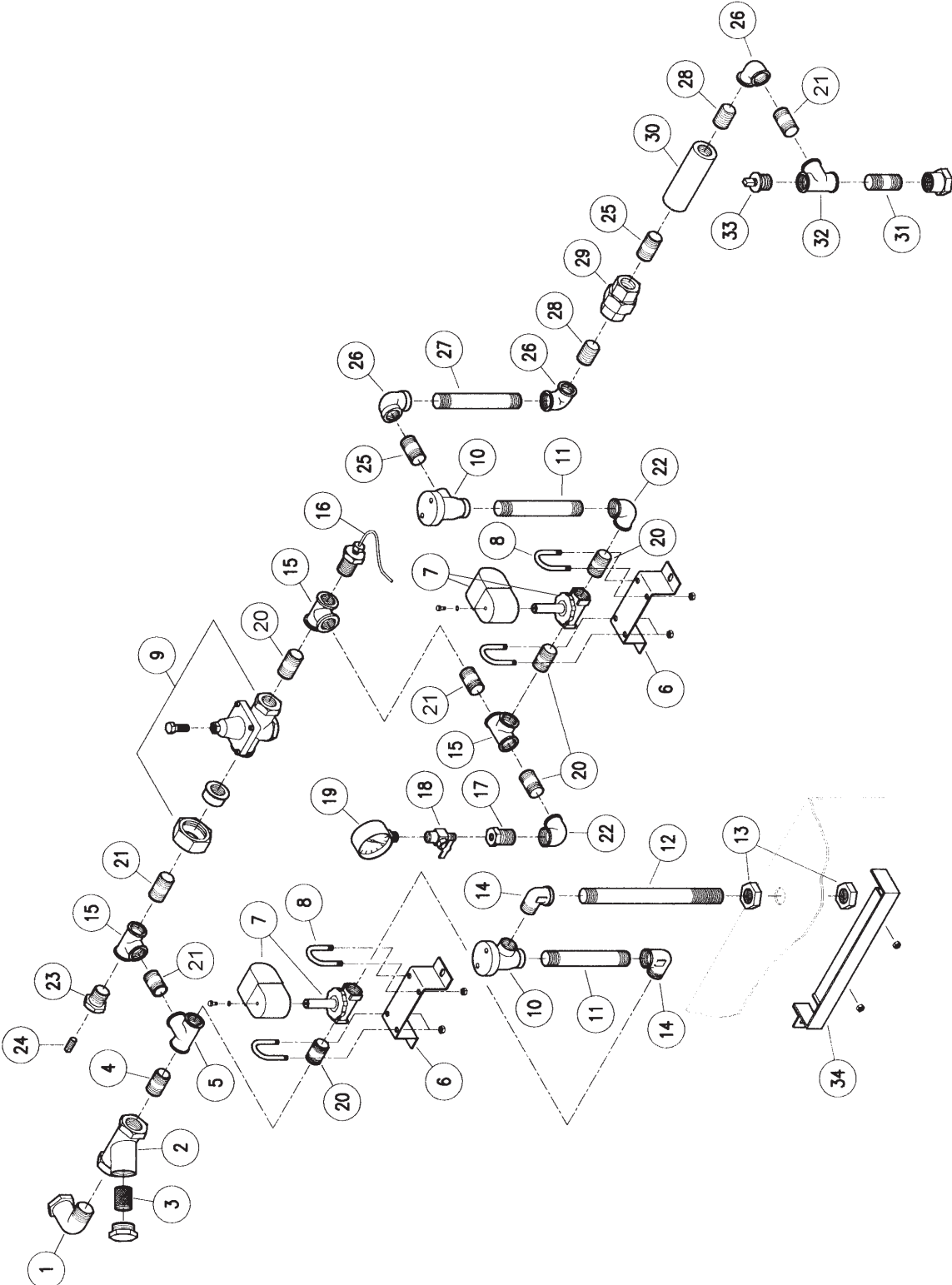
## ADC-44 L-R Tall





# Water Inlet Assembly

## ADC-44 L-R Tall



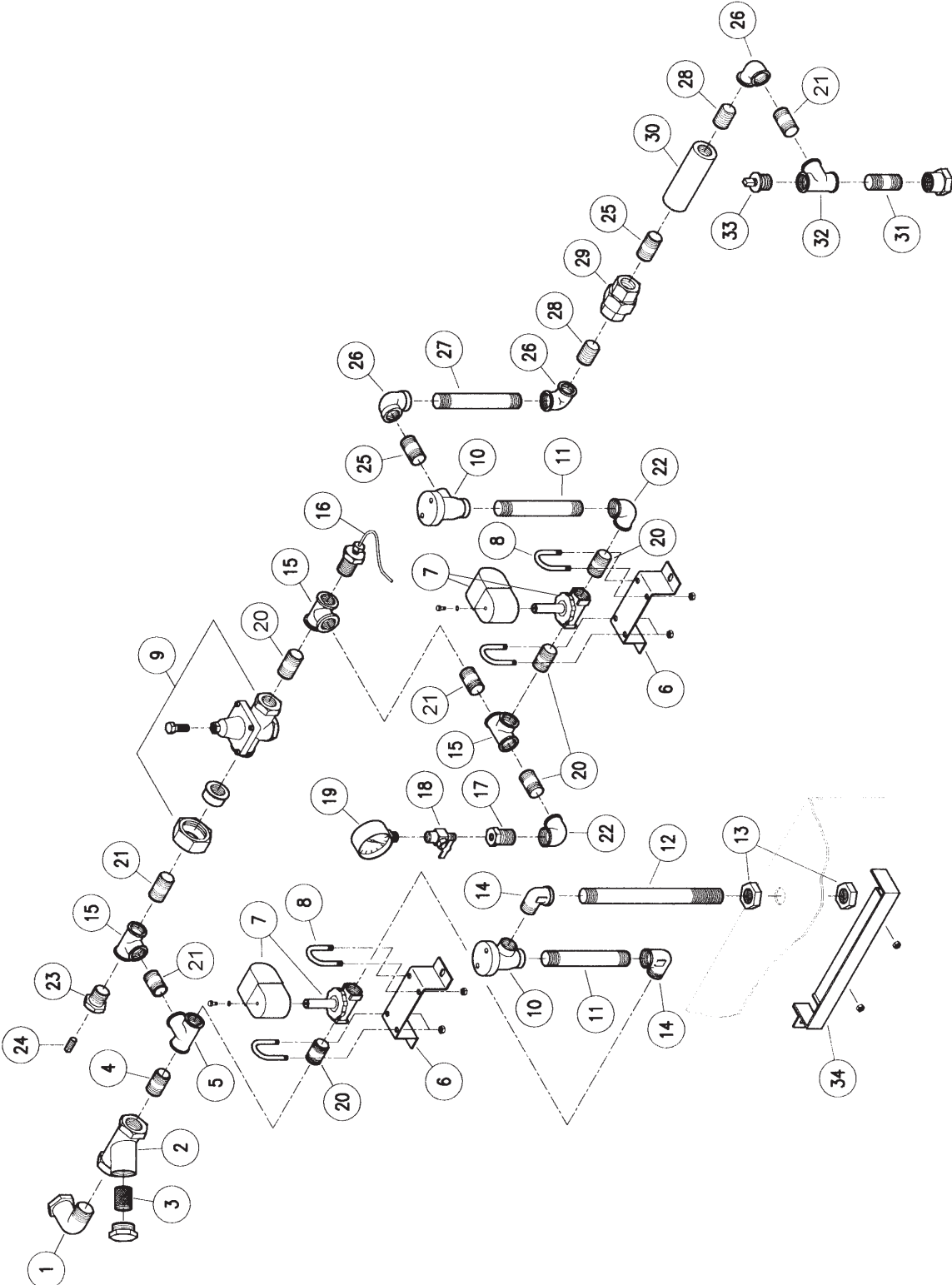
# Water Inlet Assembly

## ADC-44 L-R Tall

Ref. No.	Part No.	No. Req.	Description
1	<a href="#">092-1074</a>	1	Fitting, 3/4" Street Elbow, 90°
2	<a href="#">092-9006</a>	1	Y-Line Strainer, 3/4"
3	<a href="#">092-9008</a>	Rep	Line Strainer Screen, 3/4"
4	<a href="#">092-1073</a>	1	Nipple, 3/4" Close, Brass
5	<a href="#">092-1107</a>	1	Tee, 3/4" x 1/2" x 1/2" Brass
6	<a href="#">286-6191</a>	2	Bracket, Plumbing
7	<a href="#">092-5015</a>	2	Valve, Water Solenoid, 1/2", 110 Volt
8	<a href="#">098-9027</a>	4	Bolt, 'U', 1/4"-20
9	<a href="#">292-5007</a>	1	Pressure Regulator, 1/2"
10	<a href="#">092-5045</a>	2	Vacuum Breaker, 1/2"
11	<a href="#">292-3008</a>	2	Nipple, 1/2" x 6" Lg, SS
12	<a href="#">292-3006</a>	1	Nipple, 1/2" x 9-1/2" Lg, SS
13	<a href="#">292-1006</a>	2	Pipe Locknut, 1/2" FPT, Brass
14	<a href="#">092-1006</a>	2	Elbow, 1/2" Street, 90°
15	<a href="#">292-1002</a>	3	Tee, 1/2" x 1/2" x 1/2", SS
16	<a href="#">299-1004</a>	1	Temperature Gauge, Final Rinse, 3' Capillary
17	<a href="#">299-1005</a>	2	Gauge, Temp., Wash/Rinse Tanks
18	<a href="#">292-5002</a>	1	Service Cock
19	<a href="#">299-1003</a>	1	Pressure Gauge
20	<a href="#">292-3001</a>	5	Nipple, 1/2" x 1-1/2" Lg, SS
21	<a href="#">292-3014</a>	4	Nipple, 1/2" x 2" Lg, SS
22	<a href="#">292-1003</a>	2	Fitting, 1/2" Elbow, 90°, SS
23	<a href="#">292-1007</a>	1	Reducer Bushing, 1/2" MPT x 1/8" FPT
24	<a href="#">092-1145</a>	1	Plug, 1/8" MPT, SS
25	<a href="#">292-3001</a>	2	Nipple, 1/2" x 1-1/2" Lg, SS
26	<a href="#">292-1003</a>	3	Fitting, Elbow, 1/2" FPT, SS
27	<a href="#">292-3008</a>	1	Nipple, 1/2" x 6" Lg, SS
28	<a href="#">292-3003</a>	2	Nipple, 1/2" x Close, SS
29	<a href="#">292-1004</a>	1	Union, 1/2", SS
30A	<a href="#">284-6148</a>	1	Mixing Chamber, SS
30B	<a href="#">284-6147</a>	Opt.	Mixing Chamber, Polymer
31	<a href="#">292-3010</a>	1	Nipple, 1/2" x 3" Lg, SS
32	<a href="#">292-1002</a>	1	Tee, 1/2" x 1/2" x 1/2", SS

# Water Inlet Assembly

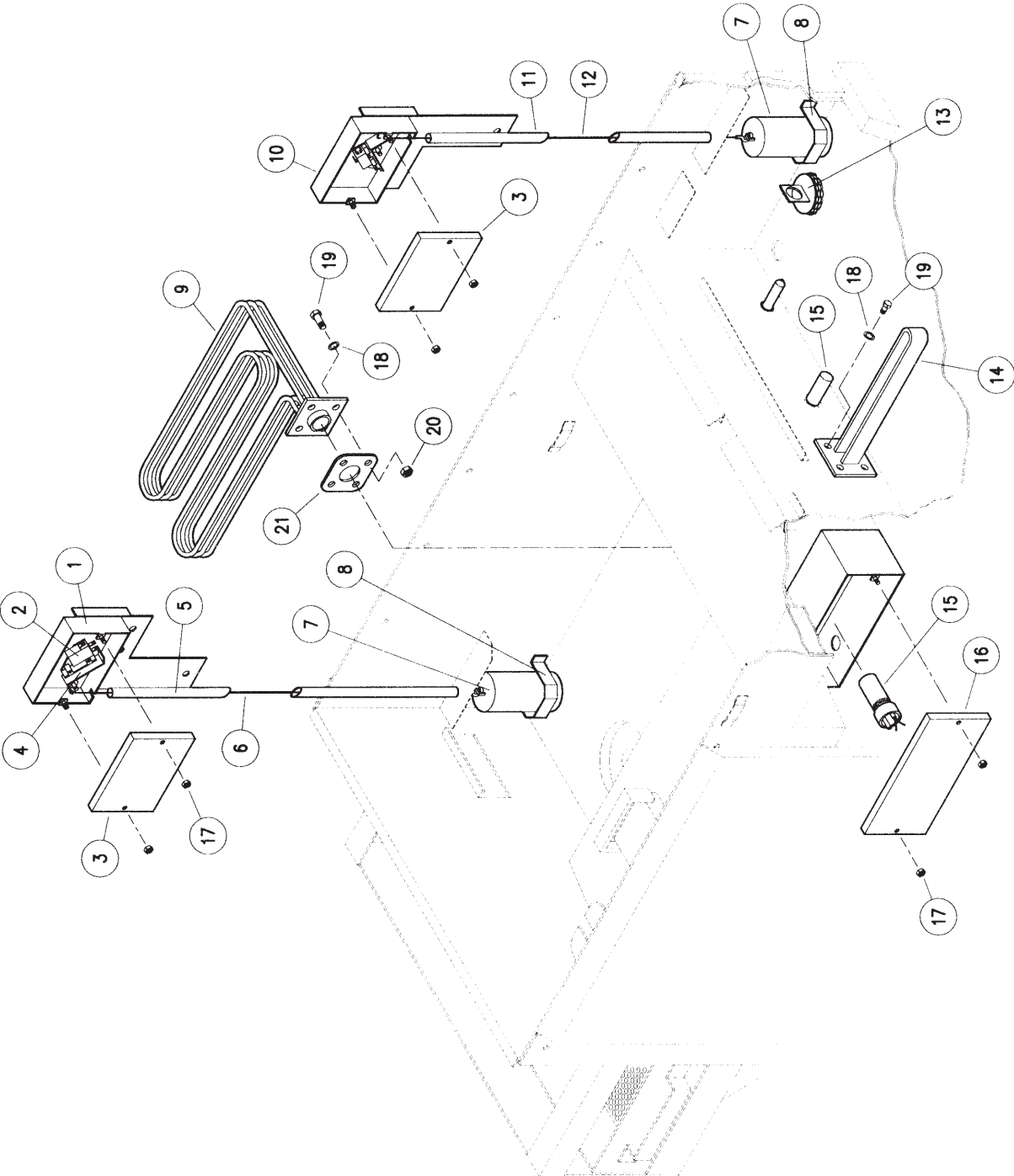
## ADC-44 L-R Tall





# Heater & Water Level Control

## ADC-44 L-R Tall



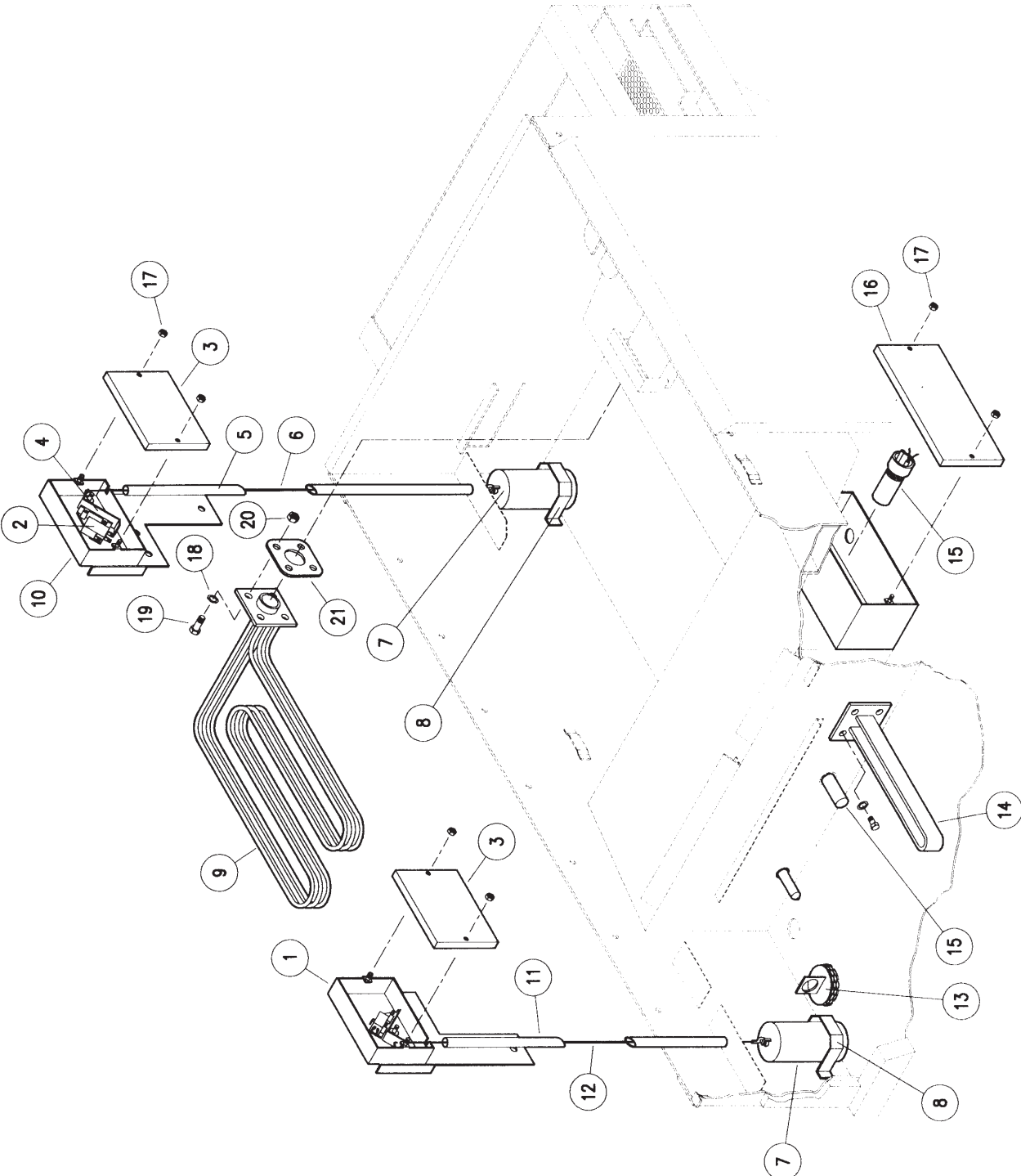
# Heater & Water Level Control

## ADC-44 L-R Tall

Ref. No.	Part No.	No. Req.	Description
1	<a href="#">285-6177</a>	1	Float Box Weldment, LH
2A	<a href="#">291-3014</a>	2	Float Switch, w/Holder & Button
2B	<a href="#">291-3013</a>		Float Switch, Switch Only
2C	<a href="#">291-9109</a>		Float Switch Holder
2D	<a href="#">291-9110</a>		Float Switch Holder Button
3	<a href="#">285-6295</a>	2	Float Box Cover
4	<a href="#">285-6179</a>	2	Float Switch Flipper Weldment
5	<a href="#">285-6271</a>	1	Float Rod Tube Weldment, Wash, L-R
6	<a href="#">286-6310</a>	1	Float Rod, Wash
7	<a href="#">285-6176</a>	2	Float Weldment
8	<a href="#">286-6199</a>	2	Bracket, Float Retainer
9A	<a href="#">291-9009</a>		Heater, Wash, 12KW, 208Volt, 3 Phase (Must Specify)
9B	<a href="#">291-9019</a>		Heater, Wash, 11.5KW, 240 Volt, 1 Phase (Must Specify)
10	<a href="#">285-6178</a>	1	Float Box Weldment, RH
11	<a href="#">285-6148</a>	1	Float Rod Tube Weldment Rinse, R-L
12	<a href="#">286-6248</a>	1	Float Rod Rinse
13	<a href="#">285-6162</a>	1	Filter Weldment, Pumped Rinse Pump
14A	<a href="#">291-9003</a>	1	Heater, Rinse, 2.25KW, 3 Phase, 208v
14B	<a href="#">291-9004</a>	1	Heater, Rinse, 2.25KW, 1 Phase, 240v
15	<a href="#">291-3012</a>	2	Thermostat
16	<a href="#">285-6292</a>	2	Heater Box Cover
17	<a href="#">098-2201</a>	8	Locknut, 8-32, SS
18	<a href="#">098-2510</a>	16	Washer, 5/16", SS Neobond
19	<a href="#">098-1516</a>	8	Bolt, 5/16"-18 x 1" LG HH, SS
20	<a href="#">098-2501</a>	8	Locknut, 5/16"-18
21	<a href="#">289-6613</a>	2	Gasket, Heater
N/S	<a href="#">286-6231</a>	2	Flange, Heater Sandwich (1-1/2" Hole)
N/S	<a href="#">286-6241</a>	4	Washer, Float Switch Rod, 3/4" OD x 1/8" ID, SS
N/S	<a href="#">098-1106</a>	2	Screw, 6-32 x 1-1/8" Pan Head, SS (Per float Switch)
N/S	<a href="#">098-2101</a>	2	Nut, 6-32, HH, SS (Per Float Switch)
N/S	<a href="#">291-5108</a>	Rep.	Wire Harness, Heater, Wash/Rinse 3 Phase
N/S	<a href="#">291-5112</a>	Rep.	Wire Harness, Heater, Wash/Rinse 1 Phase

# Heater & Water Level Control

## ADC-44 L-R Tall



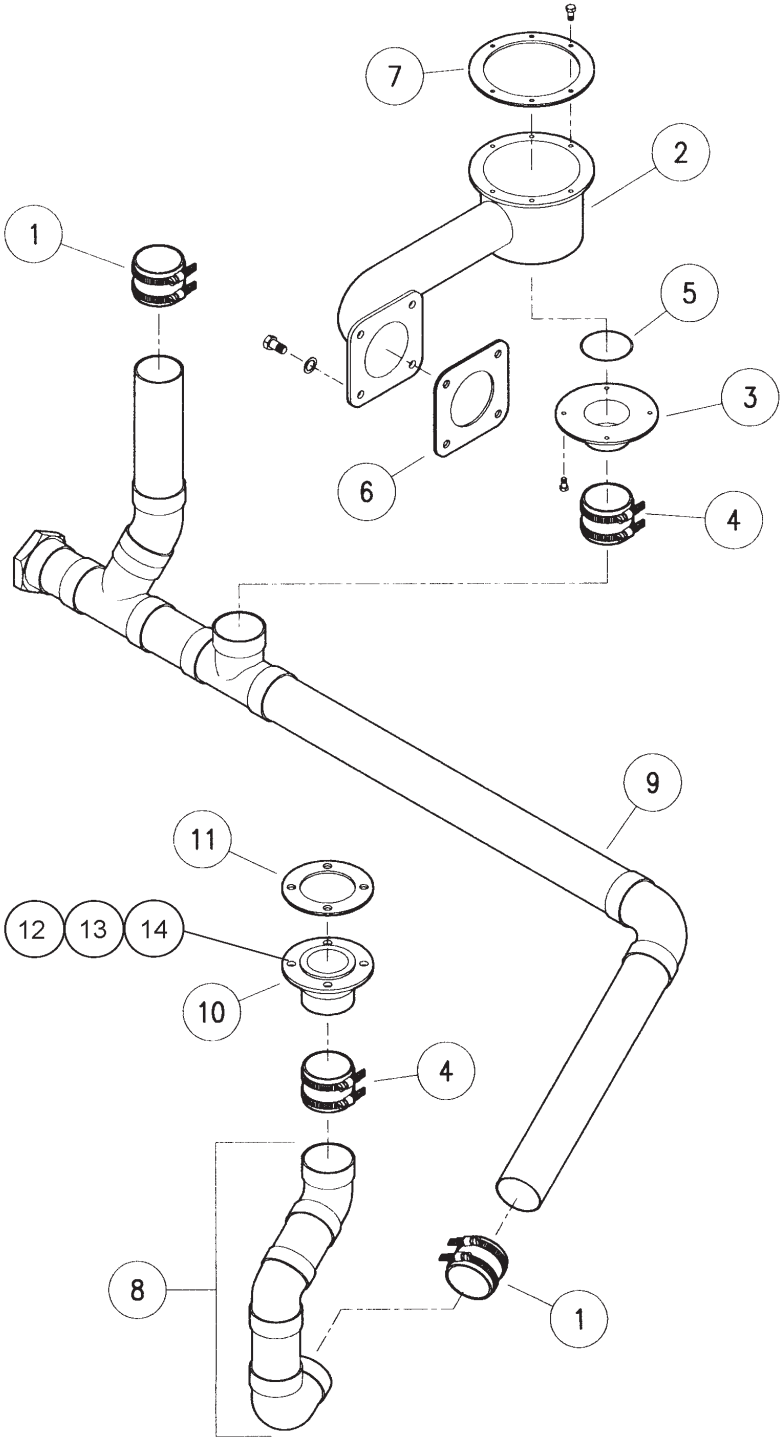
# Heater & Water Level Control

## ADC-44 L-R Tall

Ref. No.	Part No.	No. Req.	Description
1	<a href="#">285-6177</a>	1	Float Box Weldment, LH
2A	<a href="#">291-3014</a>	2	Float Switch, w/Holder & Button
2B	<a href="#">291-3013</a>		Float Switch, Switch Only
2C	<a href="#">291-9109</a>		Float Switch Holder
2D	<a href="#">291-9110</a>		Float Switch Holder Button
3	<a href="#">285-6295</a>	2	Float Box Cover
4	<a href="#">285-6179</a>	2	Float Switch Flipper Weldment
5	<a href="#">285-6272</a>	1	Float Rod Tube Weldment, Wash, R-L
6	<a href="#">286-6310</a>	1	Float Rod, Wash, Tall
7	<a href="#">285-6176</a>	2	Float Weldment
8	<a href="#">286-6199</a>	2	Bracket, Float Retainer
9A	<a href="#">291-9009</a>		Heater, Wash, 12KW, 208 Volt, 3 Phase (Must Specify)
9B	<a href="#">291-9019</a>		Heater, Wash, 11.5KW, 240 Volt, 1 Phase (Must Specify)
10	<a href="#">285-6178</a>	1	Float Box Weldment, RH
11	<a href="#">285-6180</a>	1	Float Rod Tube Weldment Rinse, R-L (uses standard wash L-R)
12	<a href="#">286-6248</a>	1	Float Rod Rinse
13	<a href="#">285-6162</a>	1	Filter Weldment, Pumped Rinse Pump
14A	<a href="#">291-9003</a>	1	Heater, Rinse, 2.25KW, 3 Phase, 208v
14B	<a href="#">291-9004</a>	1	Heater, Rinse, 2.25KW, 1 Phase, 240v
15	<a href="#">291-3012</a>	2	Thermostat
16	<a href="#">285-6292</a>	2	Heater Box Cover
17	<a href="#">098-2201</a>	8	Locknut, 8-32, SS
18	<a href="#">098-2510</a>	16	Washer, 5/16", SS Neobond
19	<a href="#">098-1516</a>	8	Bolt, 5/16"-18 x 1" LG HH, SS
20	<a href="#">098-2501</a>	8	Locknut, 5/16"-18
21	<a href="#">289-6613</a>	2	Gasket, Heater
N/S	<a href="#">286-6231</a>	2	Flange, Heater Sandwich (1-1/2" Hole)
N/S	<a href="#">286-6241</a>	4	Washer, Float Switch Rod, 3/4" OD x 1/8" ID, SS
N/S	<a href="#">098-1106</a>	2	Screw, 6-32 x 1-1/8" Pan Head, SS (Per float Switch)
N/S	<a href="#">098-2101</a>	2	Nut, 6-32, HH, SS (Per Float Switch)
N/S	<a href="#">291-5108</a>	Rep.	Wire Harness, Heater, Wash/Rinse, 3 Phase
N/S	<a href="#">291-5112</a>	Rep.	Wire Harness, Heater, Wash/Rinse, 1 Phase

# Drain System Assembly

## ADC-44 L-R Tall





## **American Dish Service**

---

**Manufacturer of low and high temperature Commercial  
Dishwashers and Glasswashers**

900 Blake Street | Edwardsville, Kansas 66111  
Phone: 913.422.3700 | Toll-Free: 800.922.2178 | Fax: 913.422.6630  
orders@americandish.com | [americandish.com](http://americandish.com)



an Ali Group Company



The Spirit of Excellence