

Effective: December 01, 2023



# L-Series

**L-90-3DWS-3 Door, L-90-3DW-S, L-90-3DWC-S**  
**024-1090, 024-2090, 024-3090**

**L-Series 3-Door-Up, 2-Door-Up, and Corner Models**

## PARTS MANUAL



If you have questions, call 800-922-2178 or visit  
our website at  
[www.americandish.com](http://www.americandish.com)

### **American Dish Service**

900 Blake Street | Edwardsville, Kansas 66111  
Phone: 913.422.3700 | Toll-Free: 800.922.2178 | Fax: 913.422.6630  
[orders@americandish.com](mailto:orders@americandish.com) | [americandish.com](http://americandish.com)

Rev 1.0 © 12/2023

The **American Dish Service** part numbers contained in this publication are replacement parts for equipment listed with governmental and regulatory agencies and are specified to maintain the regulatory mark and certification. These parts must only be replaced by those who are trained in the operation and service of commercial dishmachines. Aftermarket parts or modified parts are not compliant or listed with the standards of governmental and regulatory agencies; aftermarket parts are not authorized by ADS for replacement repairs. ADS will not be responsible for any liability if parts are used in the repair of the machine that are not ADS-specified, by those installing non-certified replacement parts or attempts to change the machine's cycle or operation other than as designed and certified. **Read the warnings and cautions provided below before working on or replacing parts on any ADS equipment.**



**DANGER**

**The installation of electrical parts contained in this publication require the following precautions:**

**The electrical power supplied to this machine is an imminent hazard to life that could result in severe bodily injury or death if not properly installed or connected correctly.** When working in the control box or on electrical parts, always disconnect power and perform the appropriate lock-out/tag-out procedure before servicing. Replace the cover to the control box and other protective covers when finished with servicing this equipment before returning the machine to normal operation.

**LOOSE ELECTRICAL CONNECTIONS:** Damage to the equipment can occur if the following precautions are not observed. Before connecting power to the machine, check all electrical terminals in the control box. Screws can loosen in transit. Loose connections on high amp load terminals such as the pump motor and tank heaters will cause wire burning and component damage during operation and will not be covered under ADS warranty.

**"CLEAN CIRCUIT"** means the electrical circuit breaker for the dishmachine supplies no other outlets, machines, or lights. GFCI outlets are not recommended for commercial dishmachines; ADS recommends that a single-rack machine be installed with the wire connection (hard-wired) directly from the circuit breaker. All high temp and conveyor equipment must be hard wired. If a plug and socket are used to provide electrical power to a dishmachine in a commercial kitchen, then according to electrical code it must be a GFCI, but not all GFCIs are the same. They must be rated for the Amp draw for the designed circuit.

**For Reference: The NEC Article 210.8 regarding GFCI Protection (B) Other Than Dwelling Units (2) Commercial and Institutional Kitchens. All 15 and 20A, 125V receptacles installed in kitchens, even those that do not supply the countertop surface, must be GFCI protected.**



**WARNING**

**The chemical feeders and controls contained in this publication require the following precautions:**

**READ Manufacturer's Manual before Using this Product. For your safety read and observe all warnings in these instructions.** While performing installation of parts described in this booklet, wear approved Personal Protective Equipment, including chemically resistant gloves and Safety Eye-Wear.

**CHEMICALS:** There are potentially hazardous situations when working with industrial cleaning chemicals for dishmachines. See chemical manufacturer's safe practices and SDS or MSDS sheets for handling and installing chemicals and supply containers.

Chemicals can damage or corrode plumbing and stainless parts of the dishmachine. Do not run chemical lines over controls or plumbing. Always secure chemical lines and check regularly for leaks. **If not properly handled, chemicals can cause serious bodily injury. In the event of chemical contact to skin or eyes; wash immediately with fresh water and seek medical attention.**

**DE-LIMING THE MACHINE: Because of potential hazards resulting from the combination of chlorine with acid solution, only authorized trained individuals must be allowed to de-lime a commercial dishmachine.**

**CONTAINERS:** The ADS chemical delivery system is designed for 5 gallon pails of industrial low-energy chemical products. Always use chemical resistant safety gloves and safety goggles (indirect-vented or non-vented) when changing chemical buckets. Immediately report spills and refer to your chemical suppliers SDS safety data sheet or MSDS material safety data sheet for information if chemical comes in contact with skin or eyes.

Any modifications to the chemical delivery system for smaller containers must include Closed Loop Chemical Containers (spill proof bottles) in a secured racking system. It is the responsibility of the user of the machine to purchase chemicals in spill proof containers. **FAILURE CAN RESULT IN SERIOUS INJURY.** Never place chemicals in open containers or containers that can be easily tipped over when moving or changing product. Failure to do so will void your ADS warranty.

Chemical supplies must be kept in closed delivery containers to avoid spills or contamination. Do not place chemical solutions in open containers or containers that can be easily tipped over in moving or changing.

Do not open the doors while the machine is in operation. Doing so could result in serious bodily injury from spraying hot water and chemicals.



The door lever arm parts in this publication are installed under spring tension and caution is needed whenever parts are changed. Wear safety glasses when working on the doors and lever. Care should be taken when moving, installing, or replacing any door lever arm parts. Use the ADS lever arm tool to unload the door spring during replacement or adjustment. The spring tension suddenly released can result in pinch or blunt trauma, and puncture wounds. If a wound occurs from the release of spring tension, wash the wound area immediately because of the soils that can accumulate on the metal parts and seek medical attention.

## NOTICE

**BEFORE YOU BEGIN:** American Dish Service provides this information as a service to our customers. **Keep all instructions for future reference.** ADS reserves the right to alter or update this information at any time. Should you desire to make sure that you have the most up-to-date information, we would direct you to the appropriate document on our web site: [www.americandish.com](http://www.americandish.com). **It is your obligation as the customer to ensure that the replacement parts for the machine are installed safely and properly, and when completed, the machine is left in proper and safe working order.** Electrical, Plumbing, and Chemical hookup must be performed by a qualified professional who will ensure that the equipment is installed in accordance with all applicable Codes, Ordinances, and Safety requirements. Failure to follow the installation instructions will void the warranty. **ADS assumes no liability or control over the installation of the equipment or replacement parts. Product failure due to improper installation is not covered under the ADS Warranty.**

### Plumbing Parts:

When working on the water inlet manifold, first relieve the water line pressure by turning off the water supply to the machine then energize the machine's fill valve. By doing this the manifold will empty of water. Turn off the electrical power and lock out/tag out the machine. It will then be safe to open the plumbing inlet manifold.

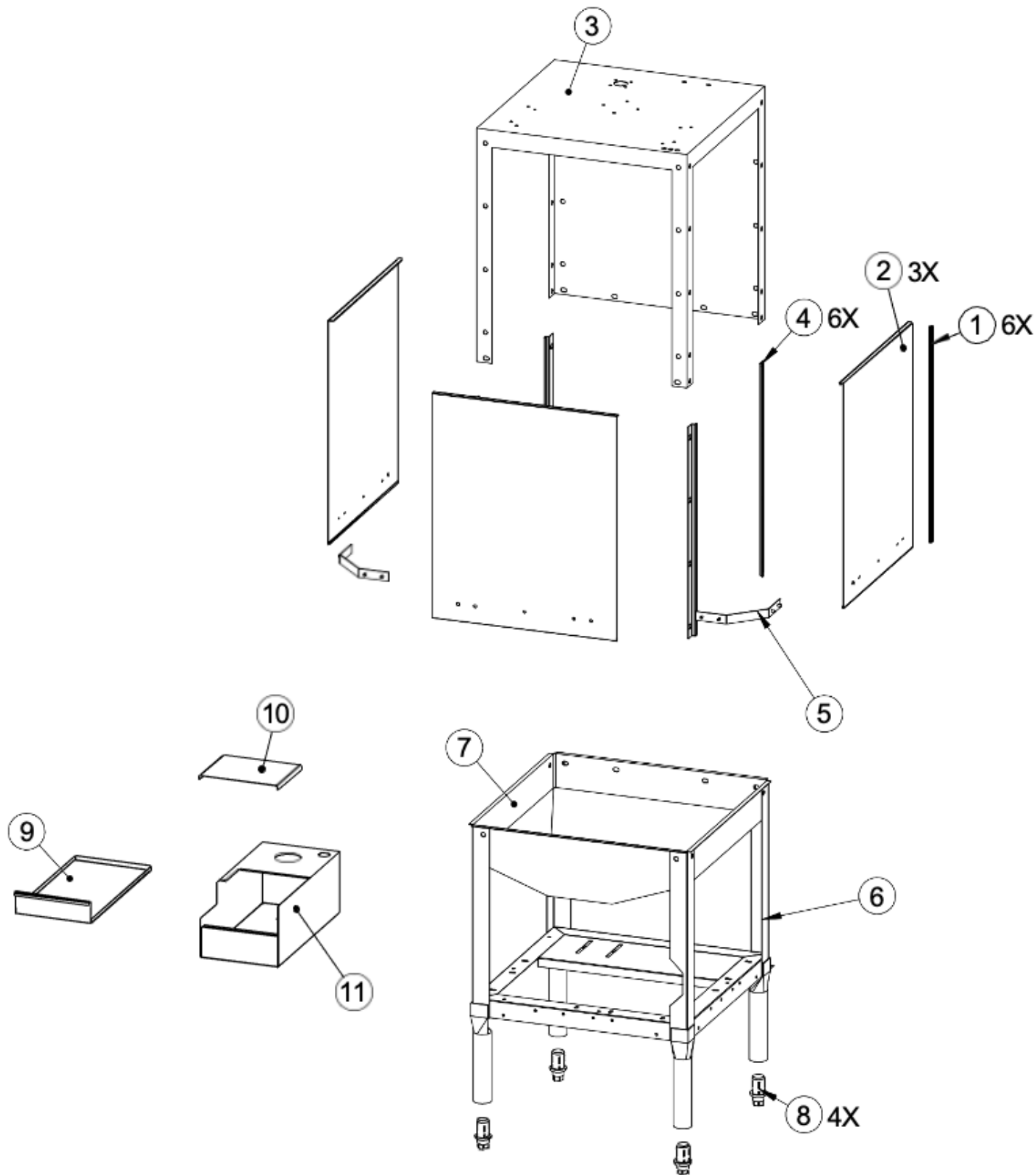
**TANKLESS WATER HEATERS** have shown to be problematic for commercial dishmachines. It has been the experience of ADS that tankless supply systems require multiple units plumbed in sequence with a recirculation loop to achieve proper pressure and temperature.

**Check with the tankless water heater manufacturer, they may recommend a storage tank to guarantee proper flow and line pressure to the machine. Failure to provide adequate water quantity, pressure and temperature to the machine will cause the machine to function improperly and is not the responsibility of ADS. Improperly installing ADS equipment or parts in this manner could void the warranty.** All costs associated with providing an adequate water supply to the machine is the sole responsibility of the user.

**Drain replacement parts should not be reduced in size, all drain lines should remain the same size as it exits the dishmachine or larger.** If you have questions, call 800-922-2178 or visit our website at [www.AmericanDish.com](http://www.AmericanDish.com).

# L-Series Manual

## 3-Door Up Cabinet Assembly



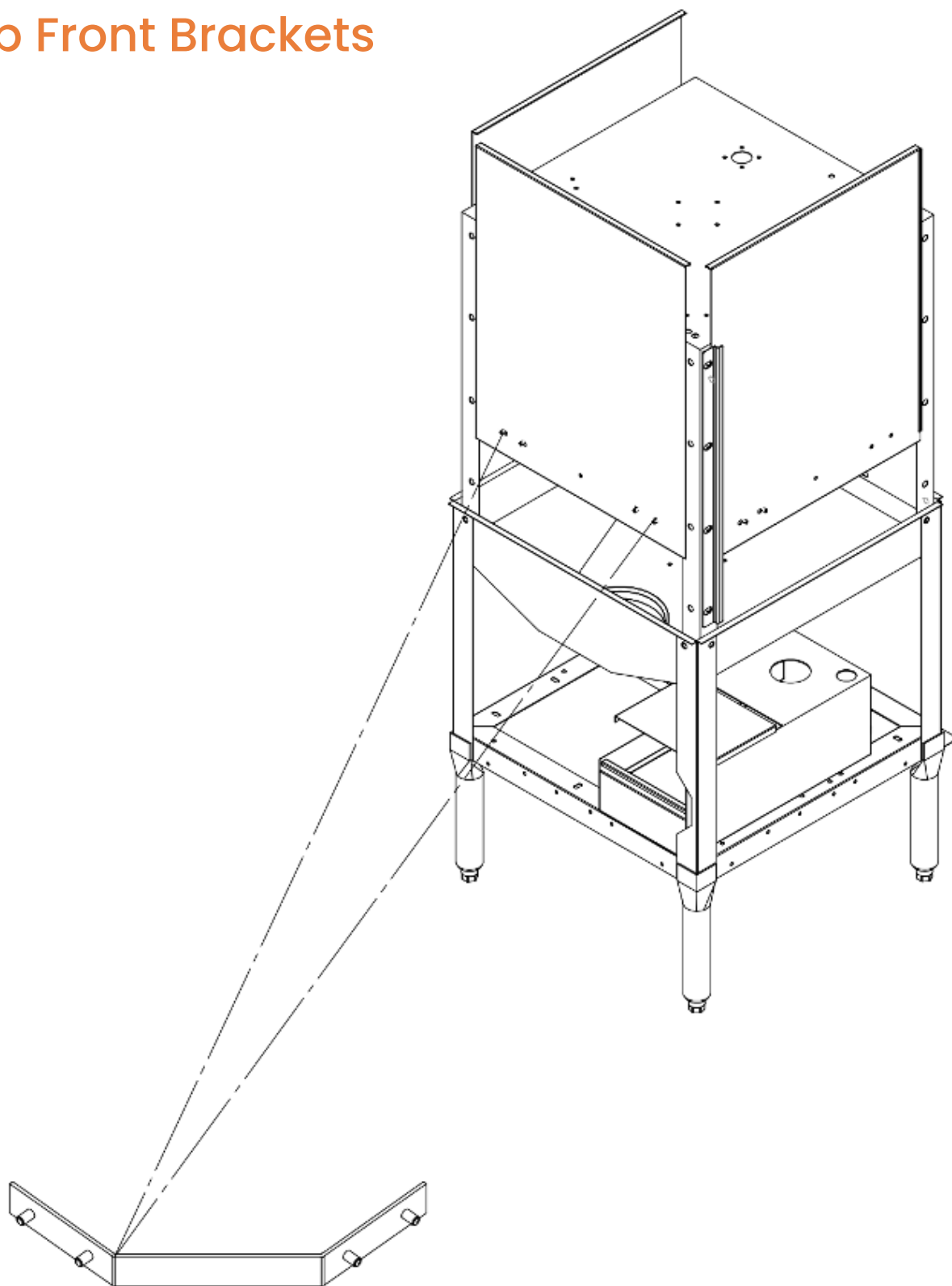
# L-Series Manual

## Bill of Materials

Ref. No.	Part No.	No. Req.	Description
1	<a href="#">083-6108</a>	4	Door Strip, Clear, 25", 3DS, ES, 5CD, L Series & HT-25 R
2	<a href="#">087-6116</a>	3	Door, AF-3D-S/AFC-3D-S
3	<a href="#">085-6413</a>	1	Hood, L-3DW-S Series
4	<a href="#">087-6110</a>	4	Door Guide, SS, Standard
5	<a href="#">085-6414</a>	2	Bracket (Brace), 3 Door Up, 3DS, L, & ES Series
6	<a href="#">085-6153</a>	1	Frame, "L Series"
7	<a href="#">085-6154</a>	1	Pan, "L Series"
8	<a href="#">099-1003</a>	3	Bullet Foot, 1 1/4"
9	<a href="#">089-9195</a>	1	Tray, Scrap Accumulator, L-Series
10	<a href="#">089-9182</a>	1	Lid, "Cover" Scrap Accum., L Series
11 (Opt.)	<a href="#">089-9179</a>	1	Scrap Trap, Low Water, Bottom Exit, Box Only
Opt.	<a href="#">089-8003</a>	1	Scrap Trap, Rear Exit LWS & LWCS Box only
Opt.	<a href="#">089-8001</a>	1	Scrap Trap, Dual Exit L3DWS & L3DWCS R & B Box Only

# L-Series Manual

## 3-Door Up Front Brackets



**2X 085-6415**

Bracket (Brace), 3 Door Up,  
3DS, L, & ES Series

*One in each forward corner*

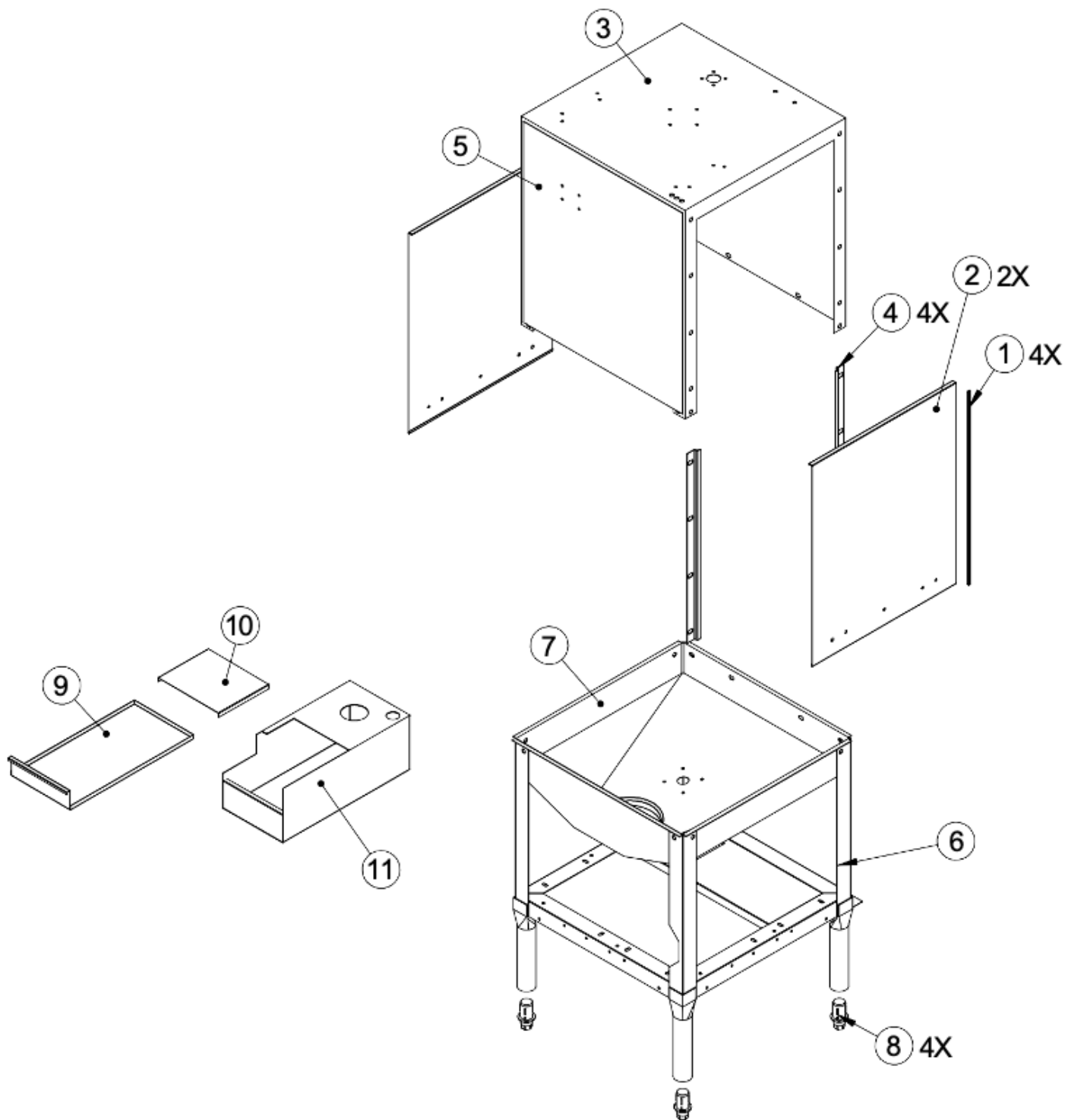
# L-Series Manual

## Bill of Materials

Ref. No.	Part No.	No. Req.	Description
1	<a href="#">083-6108</a>	4	Door Strip, Clear, 25", 3DS, ES, 5CD, L Series & HT-25 R
2	<a href="#">087-6116</a>	3	Door, AF-3D-S/AFC-3D-S
3	<a href="#">085-6413</a>	1	Hood, L-3DW-S Series
4	<a href="#">087-6110</a>	4	Door Guide, SS, Standard
5	<a href="#">085-6414</a>	2	Bracket (Brace), 3 Door Up, 3DS, L, & ES Series
6	<a href="#">085-6153</a>	1	Frame, "L Series"
7	<a href="#">085-6154</a>	1	Pan, "L Series"
8	<a href="#">099-1003</a>	3	Bullet Foot, 1 1/4"
9	<a href="#">089-9195</a>	1	Tray, Scrap Accumulator, L-Series
10	<a href="#">089-9182</a>	1	Lid, "Cover" Scrap Accum., L Series
11 (Opt.)	<a href="#">089-9179</a>	1	Scrap Trap, Low Water, Bottom Exit, Box Only
Opt.	<a href="#">089-8003</a>	1	Scrap Trap, Rear Exit LWS & LWCS Box only
Opt.	<a href="#">089-8001</a>	1	Scrap Trap, Dual Exit L3DWS & L3DWCS R & B Box Only

# L-Series Manual

## 2-Door Cabinet Assembly



# L-Series Manual

## Bill of Materials

Ref. No.	Part No.	No. Req.	Description
1	<a href="#">083-6108</a>	4	Door Strip, Clear, 25", 3DS, ES, 5CD, L Series & HT-25 R
2	<a href="#">087-6116</a>	2	Door, AF-3D-S/AFC-3D-S
3	<a href="#">085-6413</a>	1	Hood, L-3DW-S Series
4	<a href="#">087-6110</a>	4	Door Guide, SS, Standard
5	<a href="#">087-6109</a>	1	Door, "Dummy", 3-D Series
6	<a href="#">085-6153</a>	1	Frame, "L Series"
7	<a href="#">085-6154</a>	1	Pan, "L Series"
8	<a href="#">099-1003</a>	4	Bullet Foot, 1 1/4"
9	<a href="#">089-9195</a>	1	Tray, Scrap Accumulator, L-Series
10	<a href="#">089-9182</a>	1	Lid, "Cover" Scrap Accum., L Series
11 (Opt.)	<a href="#">089-9179</a>	1	Scrap Trap, Low Water, Bottom Exit, Box Only
Opt.	<a href="#">089-8003</a>	1	Scrap Trap, Rear Exit LWS & LWCS Box only
Opt.	<a href="#">089-8001</a>	1	Scrap Trap, Dual Exit L3DWS & L3DWCS R & B Box Only

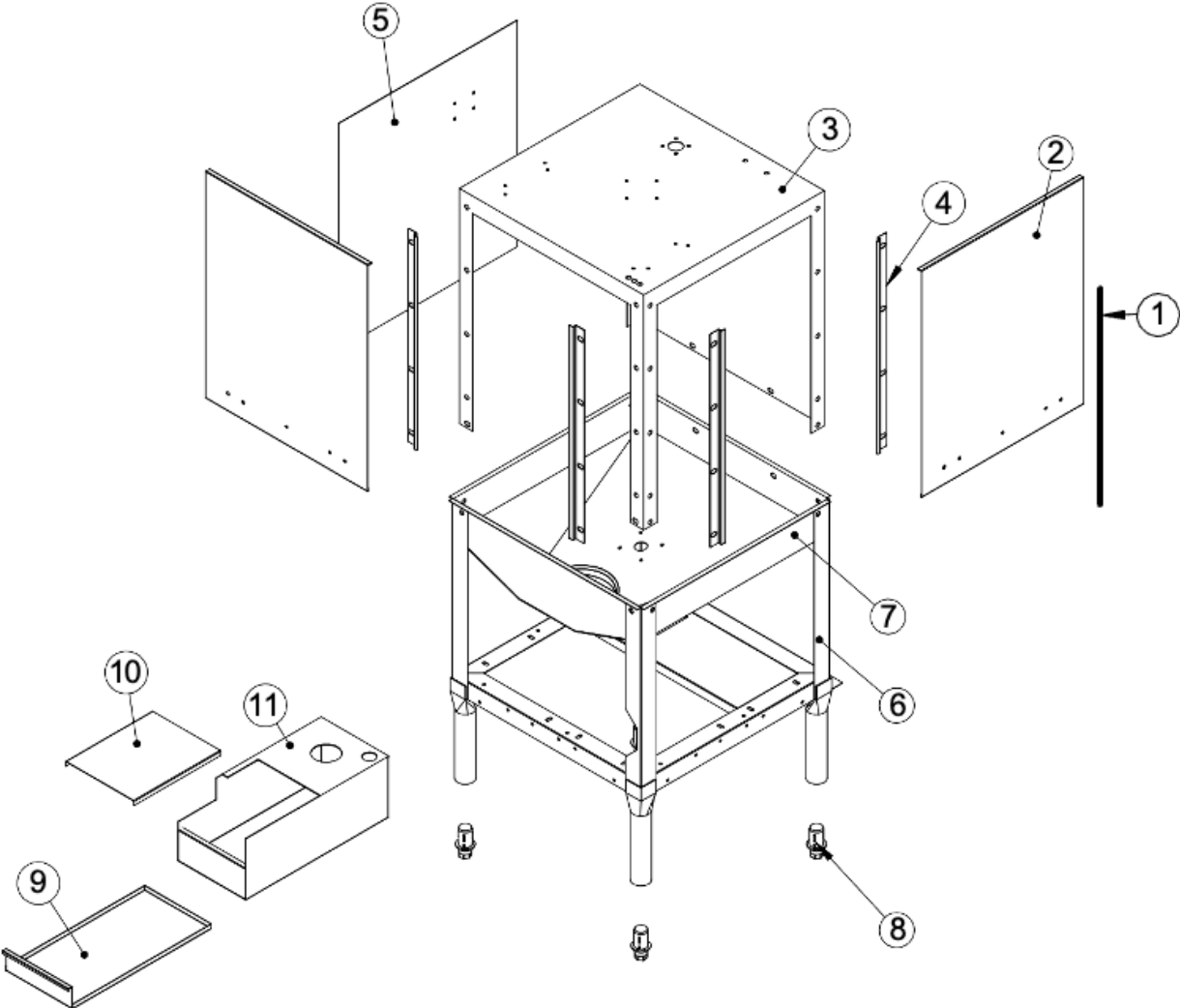


# L-Series Manual

## Bill of Materials

Ref. No.	Part No.	No. Req.	Description
1	<a href="#">087-6116</a>	2	Door, AF-3D-S/AFC-3D-S
2	<a href="#">085-6703</a>	1	Bracket, Lever Arm Sup. LH, Straight
3	<a href="#">085-6707</a>	1	Bracket, Lever Arm Sup. RH, Straight
4	<a href="#">085-6726</a>	1	Lever Arm, AF-3D-S
5	<a href="#">086-6702</a>	2	Door Link, Standard (7 1/2")
6	<a href="#">098-4002</a>	2	Bushing, Bronze
7	<a href="#">085-6701</a>	2	Spring Extension, 18", AF Series, ES, 5AG Series, 5CD, LW, A
8	<a href="#">098-3003</a>	2	Spring, Door Pass Thru Models
9	<a href="#">086-6703</a>	2	Spring Extension, Secondary (4 1/2")
10	<a href="#">098-1581</a>	2	Eye Bolt, .5625-18 x 6"
11	<a href="#">099-1018</a>	2	Cap, 3/4" Lever Arm-Pass Thru
12	<a href="#">086-6701</a>	2	Door Stop
13	<a href="#">084-6702</a>	2	Spacer, Door
14	<a href="#">084-6703</a>	5	Bushing (Dowel), 3/8"
15	<a href="#">098-1432</a>	2	Bolt, 1/4-20 X 1 3/4" HH
16	<a href="#">098-2404</a>	5	Washer, 1/4" SS Flat (Large)
17	<a href="#">098-2405</a>	6	Nut, Cap, 1/4-20 Self-lock
18	<a href="#">098-1431</a>	2	Bolt, 1/4-20 X 1 3/8" HH
19	<a href="#">098-1514</a>	2	Bolt, 5/16-18 X 1 1/2" HH, SS
20	<a href="#">098-2503</a>	2	Washer, 5/16 Copper
21	<a href="#">086-6623</a>	1	Bkt, Door Cut-off "L" Switch Actuator
22	<a href="#">086-6166</a>	1	Bracket, Door Cut-Off
23	<a href="#">099-4502</a>	1	Switch, Door Cut-Off R

# L-Series Manual Corner Cabinet Assembly



# L-Series Manual

## Bill of Materials

Ref. No.	Part No.	No. Req.	Description
1	<a href="#">083-6108</a>	4	Door Strip, Clear, 25", 3DS, ES, 5CD, L Series & HT-25 R
2	<a href="#">087-6116</a>	2	Door, AF-3D-S/AFC-3D-S
3	<a href="#">085-6413</a>	1	Hood, L-3DW-S Series
4	<a href="#">087-6110</a>	4	Door Guide, SS, Standard
5	<a href="#">087-6109</a>	1	Door, "Dummy", 3-D Series
6	<a href="#">085-6153</a>	1	Frame, "L Series"
7	<a href="#">085-6154</a>	1	Pan, "L Series"
8	<a href="#">099-1003</a>	4	Bullet Foot, 1 1/4"
9	<a href="#">089-9195</a>	1	Tray, Scrap Accumulator, L-Series
10	<a href="#">089-9182</a>	1	Lid, "Cover" Scrap Accum., L Series
11 (Opt.)	<a href="#">089-9179</a>	1	Scrap Trap, Low Water, Bottom Exit, Box Only
Opt.	<a href="#">089-8003</a>	1	Scrap Trap, Rear Exit LWS & LWCS Box only
Opt.	<a href="#">089-8001</a>	1	Scrap Trap, Dual Exit L3DWS & L3DWCS R & B Box Only

# L-Series Manual

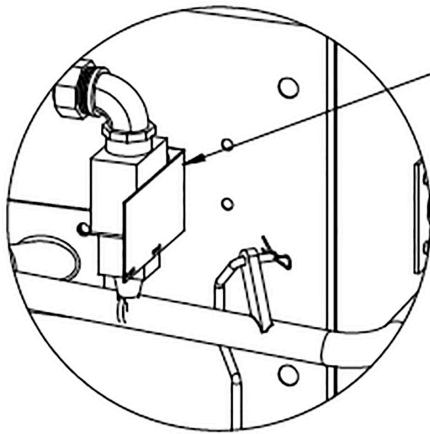
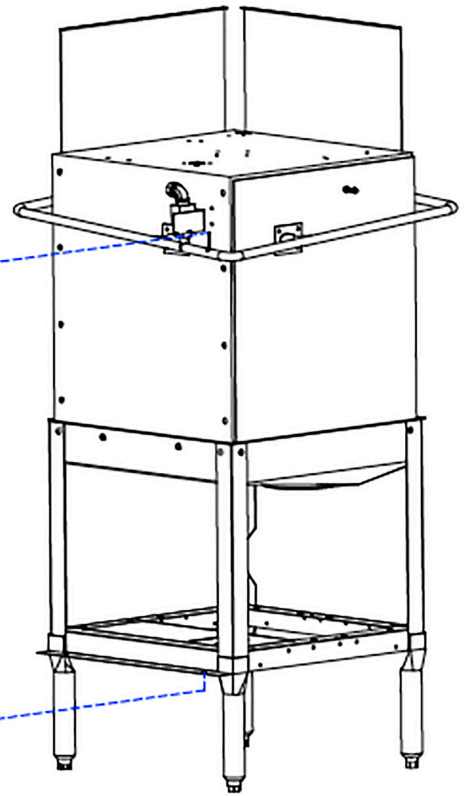
## Corner Door Assembly

085-6721 Spring Extension, Corner

098-3011 Spring, Door  
Corner Models (15" Long)

086-6703 Spring Extension,  
Secondary (4 1/2")

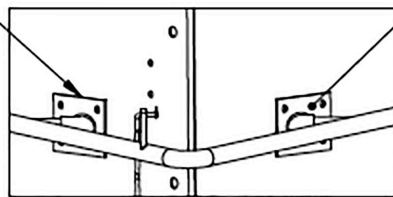
098-1581 Bolt, Eye, 5/16-18 X 8 5/8"



Top Door Switch Bracket  
Mounting Hole is 2.5" From  
Top of Hood, 4.25" From  
Corner

085-6808 Bracket,  
Lever Arm Pivot,  
Corner, RH Long

085-6807 Bracket, Lever Arm  
Pivot, Corner, LH Short



Corner Bracket View

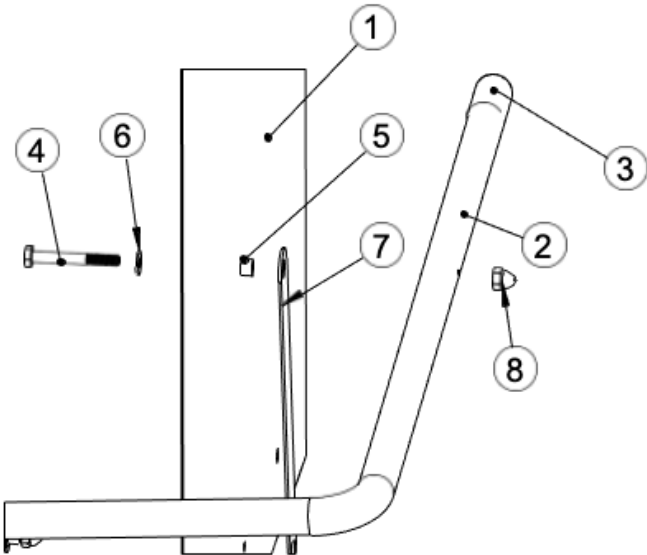
# L-Series Manual

## Bill of Materials

Ref. No.	Part No.	No. Req.	Description
1	<a href="#">083-6108</a>	4	Door Strip, Clear, 25", 3DS, ES, 5CD, L Series & HT-25 R
2	<a href="#">087-6116</a>	2	Door, AF-3D-S/AFC-3D-S
3	<a href="#">085-6413</a>	1	Hood, L-3DW-S Series
4	<a href="#">087-6110</a>	4	Door Guide, SS, Standard
5	<a href="#">087-6109</a>	1	Door, "Dummy", 3-D Series
6	<a href="#">085-6153</a>	1	Frame, "L Series"
7	<a href="#">085-6154</a>	1	Pan, "L Series"
8	<a href="#">099-1003</a>	4	Bullet Foot, 1 1/4"
9	<a href="#">089-9195</a>	1	Tray, Scrap Accumulator, L-Series
10	<a href="#">089-9182</a>	1	Lid, "Cover" Scrap Accum., L Series
11 (Opt.)	<a href="#">089-9179</a>	1	Scrap Trap, Low Water, Bottom Exit, Box Only
Opt.	<a href="#">089-8003</a>	1	Scrap Trap, Rear Exit LWS & LWCS Box only
Opt.	<a href="#">089-8001</a>	1	Scrap Trap, Dual Exit L3DWS & L3DWCS R & B Box Only

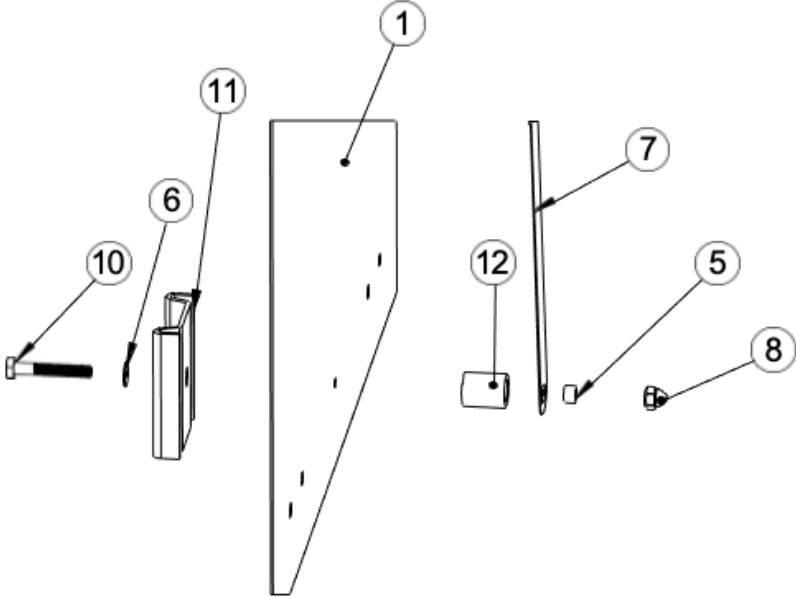
# L-Series Manual

## Corner Lever Arm Assembly



Upper Door Hinge, Corner

Lower Door Hinge, Corner

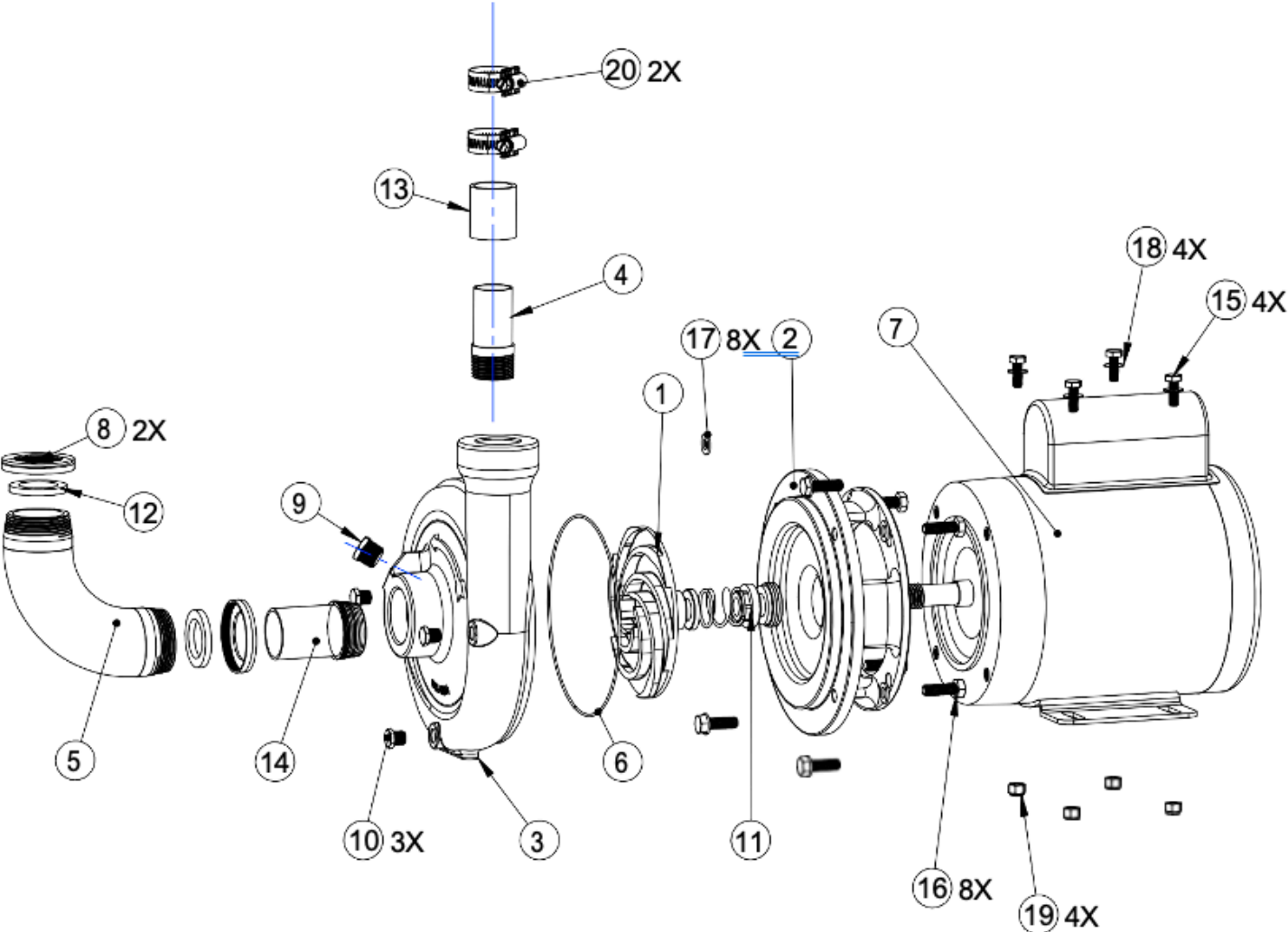


# L-Series Manual

## Bill of Materials

Ref. No.	Part No.	No. Req.	Description
1	<a href="#">087-6116</a>	2	Door, AF-3D-S/AFC-3D-S
2	<a href="#">085-6725</a>	1	Lever Arm, AFC-3D-S
3	<a href="#">099-1018</a>	2	Cap, 3/4" Lever Arm-Pass Thru
4	<a href="#">098-1434</a>	1	Bolt, 1/4-20 X 2" HH
5	<a href="#">084-6703</a>	4	Bushing (Dowel), 3/8"
6	<a href="#">098-2404</a>	3	Washer, 1/4" SS Flat (Large)
7	<a href="#">086-6702</a>	1	Door Link, Standard (7 1/2")
8	<a href="#">098-2405</a>	3	Nut, Cap, 1/4-20 Self-lock
9	<a href="#">098-3003</a>	1	Spring, Door Pass Thru Models
10	<a href="#">098-1432</a>	1	Bolt, 1/4-20 X 1 3/4" HH
11	<a href="#">086-6701</a>	1	Door Stop
12	<a href="#">084-6702</a>	1	Spacer, Door

# L-Series Manual Pump Assembly



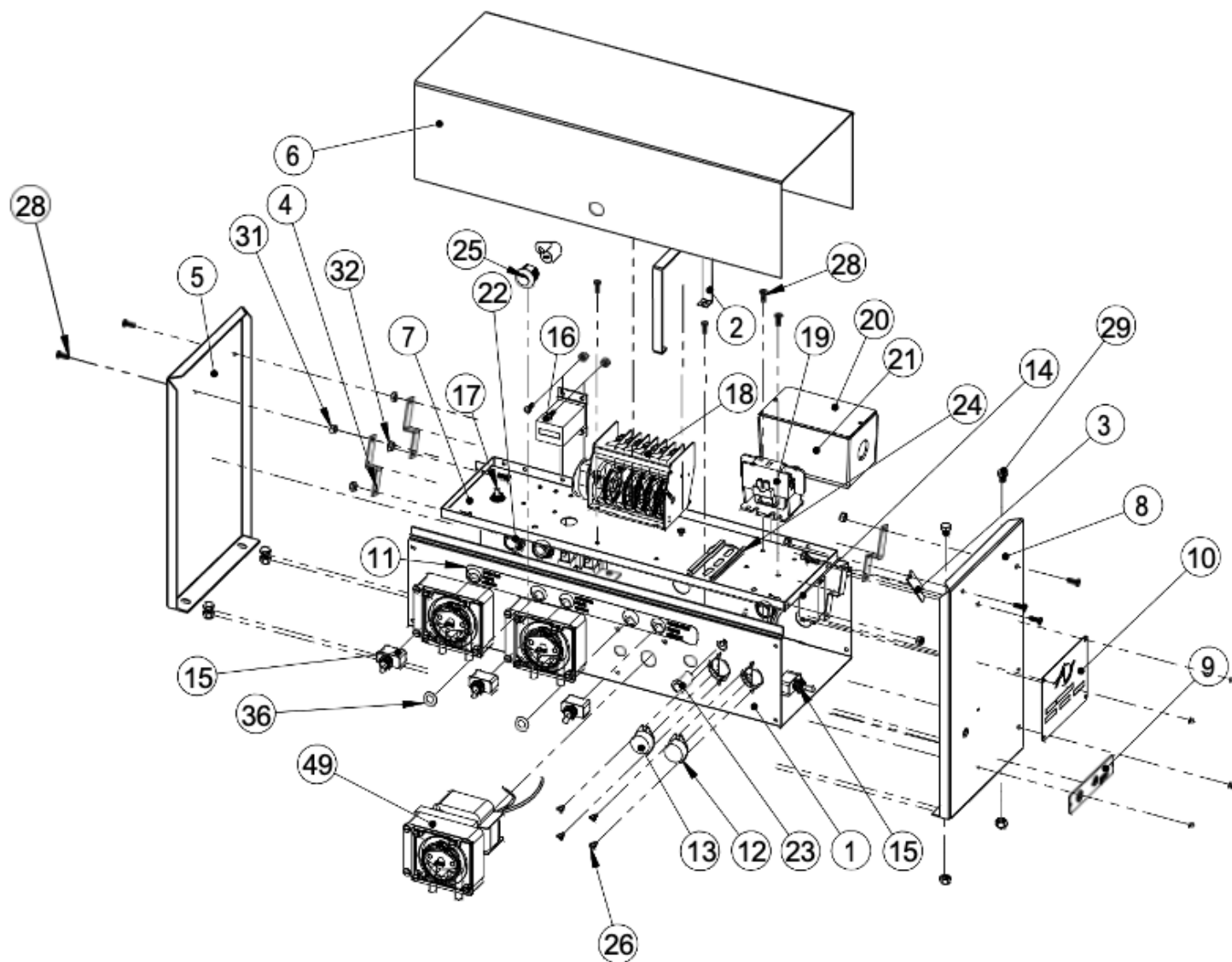
# L-Series Manual

## Bill of Materials

Ref. No.	Part No.	No. Req.	Description
1	<a href="#">082-6306</a>	1	Impeller, Water Pump "Open"
2	<a href="#">082-6323</a>	1	Rear Housing, 1 1/2 HP Pump - SS
3	<a href="#">082-6324</a>	1	Pump Cover, 1 1/2 HP Pump - SS
4	<a href="#">085-6198</a>	1	Tube, Pump discharge 3DS, AFB, AFB-C
5	<a href="#">085-6214</a>	1	Suction Tube Elbow "L-3D-S Series"
6	<a href="#">089-6309</a>	1	O Ring Gasket
7	<a href="#">091-1001</a>	1	Motor Wash Pump 1 1/2 HP
8	<a href="#">092-1012N</a>	2	Nut, Slip 1 1/2", Machined
9	<a href="#">092-1144</a>	1	Plug, Pipe, 3/8", MPT, SS, Hex Head
10	<a href="#">092-1145</a>	3	Plug, Pipe 1/8" MPT, SS, Hex Head
11	<a href="#">092-2001</a>	1	Seal, Wash Pump
12	<a href="#">092-2002</a>	2	Gasket, Slip Nut, 1 1/2" (DWMS) N
13	<a href="#">093-1048</a>	1	Sleeve Only, Discharge Tube (Part of <a href="#">093-1040</a> ) C
14	094-1046	1	ETTailPipe, 1 3/8" OD x 3" lg.
15	<a href="#">098-1426</a>	4	Bolt, 1/4"-20 x 3/4" Hex head
16	<a href="#">098-1516</a>	4	Bolt, 5/16"-18 x 1" Hex Head
17	<a href="#">098-2503</a>	4	Washer, Copper 5/16"
18	<a href="#">098-2404</a>	4	Washer, 1/4" SS Flat (Large)
19	<a href="#">098-2507</a>	4	Nut Lock, 1/4"-20 with Nylon Insert
20	<a href="#">098-9024</a>	2	Clamp, Hose - Screw Type 3/4"
21	<a href="#">098-1607</a>	4	Bolt, 3/8-16 X 7/8" HH
N/S	<a href="#">091-4142</a>	1	Conduit fitting, 1/2" 90 Degree Elbow
N/S	<a href="#">088-1103</a>	1	Pump Assembly, Wash, SS 1 1/2" HP, Less Cover, "L" Series

# L-Series Manual

## Control Box (Image 1)



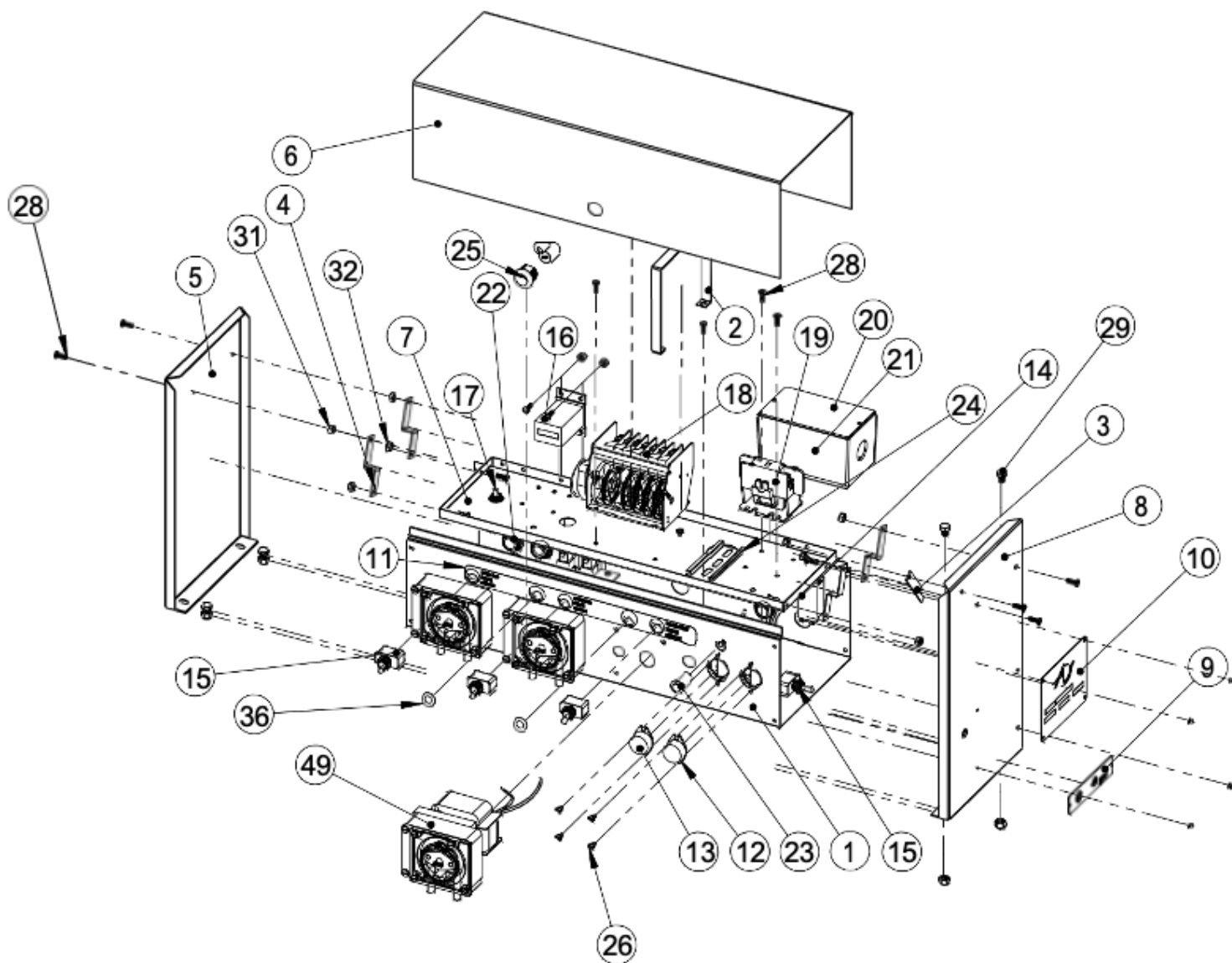
# L-Series Manual

## Bill of Materials

Ref. No.	Part No.	No. Req.	Description
1	<a href="#">085-6637</a>	1	Control Box Weldment, 5AG-S
2	<a href="#">086-6317</a>	1	Handle, Control Box Upper Shelf
3	<a href="#">086-6676</a>	1	Latch, Control Box Shelf Safety
4	<a href="#">086-6678</a>	4	Hinge, Control Box Shelf
5	<a href="#">087-6431</a>	1	Control Box End Panel, Left Side
6	<a href="#">087-6433</a>	1	Cover, Control Box, ES, 3DS, 5AG-S, 5CD & L- 3DW-S
7	<a href="#">087-6435</a>	1	Control Box, Upper Shelf, 3DS, 5AG-S, AF-ES, 5AG-ES & 5CD
8	<a href="#">087-6436</a>	1	Control Box End Panel, RH Side, L Series
9	089-0050	1	NSF CUL UL Plate
10	089-0077	1	ADS Name Plate, Partially Pre-Printed
11	<a href="#">089-9321</a>	1	Decal, Prime Switches, 12" x 1 1/4"
12	<a href="#">091-3001</a>	1	Switch, Black Fill R
13	<a href="#">091-3002</a>	1	Switch Red Start R
14	<a href="#">091-3008</a>	1	Switch, Master (Main Power) R
15	<a href="#">091-3009</a>	4	Switch, Prime & Drain, Momentary R
16	<a href="#">091-3049</a>	1	Counter, Electric
17	<a href="#">091-3060</a>	1	Switch, Wash Extender, Delime Switch
18	<a href="#">091-3073</a>	1	Timer (7 Cam), 90 Second L Series, AF AFC-ES
19	<a href="#">091-3083</a>	1	Contact, 40 Amp R
20	<a href="#">091-4004</a>	1	Cover, Junction, AF, 3D, ES, 5AG-S, 5CD, ADC-44 & ADC-66
21	<a href="#">091-4016</a>	1	Box, Junction, 5AG-S, 5AG-ES & 5CD
22	<a href="#">091-4141</a>	4	Conduit Fitting, 0.5", Straight
23	<a href="#">091-7006</a>	1	Light, Indicator, 110 Volt
24	<a href="#">091-9105</a>	1	DIN Rail, 3.5in
25	<a href="#">096-1002</a>	1	Lock, Control Box, w/ Keys (251)
26	<a href="#">098-1102</a>	4	Screw, 6-32 x 1/4" Long, RH Slotted
27	<a href="#">098-1104</a>	9	Screw, 6-32 X 1/2" RH
28	<a href="#">098-1204</a>	16	Screw, 8-32 x 1/2", RH Slotted
29	<a href="#">098-1423</a>	4	Bolt, 1/4"-20 x 1/2", Hex Head
30	098-2106	4	6-32 Nut, Lock, SS with Nylon Insert
31	<a href="#">098-2201</a>	11	Nut, Lock, 8-32 Hex w/ Nylon Insert
32	<a href="#">098-2301</a>	4	10-32 Nut, Lock, SS with Nylon Insert
33	<a href="#">098-2507</a>	4	Nut Lock, 1/4"-20 with Nylon Insert
34	<a href="#">098-9011</a>	4	1/8" Pop Rivet
35	<a href="#">098-9020</a>	2	Plug, 7/8" Plastic
36	<a href="#">098-9022</a>	2	Plug, 3/8" Pipe (Fits .5" Hole)

# L-Series Manual

## Control Box (Image 1)



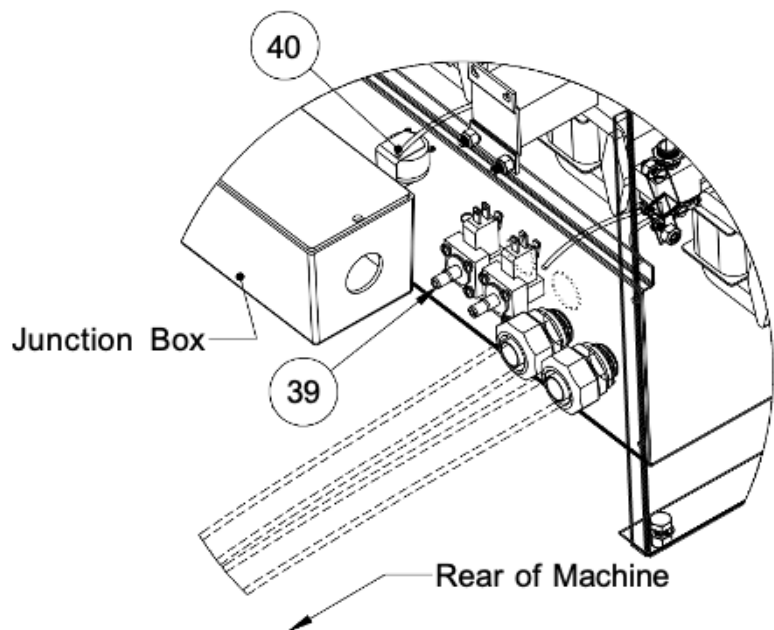
# L-Series Manual

## Bill of Materials

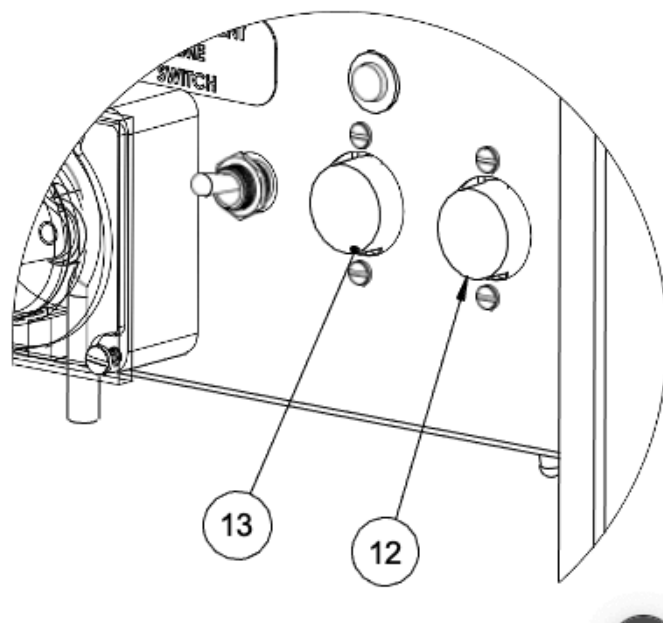
Ref. No.	Part No.	No. Req.	Description
39	<a href="#">091-3080</a>	2, Opt.	Switch, Vac., Low Level Alarm
40	<a href="#">037-2103</a>	1, Opt.	Buzzer, Chemical Alarm
N/S	<a href="#">291-3005</a>	1	Relay, Cube, DPDT, 110 Volt, ADC44/66, N
N/S	<a href="#">291-3009</a>	1	Socket, Relay, Din Rail N
N/S	<a href="#">091-5033</a>	1	Wire Harness, ES & 3DS
N/S	093-1061PCS	1	Tubing, Chemical Line, 1/4" Blue Vinyl (9 ft Precut)
N/S	093-1062PCS	1	Tubing, Chemical Line, 1/4" Green Vinyl (9 ft Precut)
N/S	093-1063PCS	1	Tubing, Chemical Line, 1/4" Red Vinyl (9 ft Precut)
N/S	093-1061PCL	1	Tubing, Chemical Line, 1/4" Blue Vinyl (15 ft Precut)
N/S	093-1062PCL	1	Tubing, Chemical Line, 1/4" Green Vinyl (15 ft Precut)
N/S	093-1063PCL	1	Tubing, Chemical Line, 1/4" Red Vinyl (15 ft Precut)
N/S	<a href="#">091-4157</a>	1	Nut, Threaded Red, Tube Stiffener
N/S	<a href="#">091-4158</a>	1	Nut, Threaded Blue, Tube Stiffener
N/S	<a href="#">091-4159</a>	1	Nut, Threaded Red, Tube Stiffener
N/S	<a href="#">091-5156</a>	25in	1/2" Conduit, 25" Long, Control Box to Fresh Water Fill Solenoid
N/S	<a href="#">091-5156</a>	80in	1/2" Conduit, 80" Long, Control Box to Drain Box
N/S	<a href="#">091-5156</a>	83in	1/2" Conduit, 83" Long, Control Box to Wash Pump
N/S	<a href="#">089-9201</a>	1	Decal, Wiring Diagram, AF, AFB, AFC, 3-D, L & ES Series
N/S	<a href="#">089-9205</a>	1	Decal, Cleaning Instruction (Inside)
N/S	<a href="#">089-9209</a>	1	Decal, Conn. To Power Source 20 amp
N/S	<a href="#">089-9226</a>	1	Decal, Timer Cam
N/S	<a href="#">089-9227</a>	1	Decal, Timer Cam Adjustment, DWMs
N/S	<a href="#">089-9257</a>	1	Decal, Delimiting
N/S	<a href="#">089-9308</a>	1	Decal, Water Level
N/S	<a href="#">092-1137</a>	1	Fitting, Hose Barb, 1/4" Tee, Chem Alarm
*			<i>*Chemical Pump Assembly Shown on Next Page</i>

# L-Series Manual

## Control Box (Image 2)



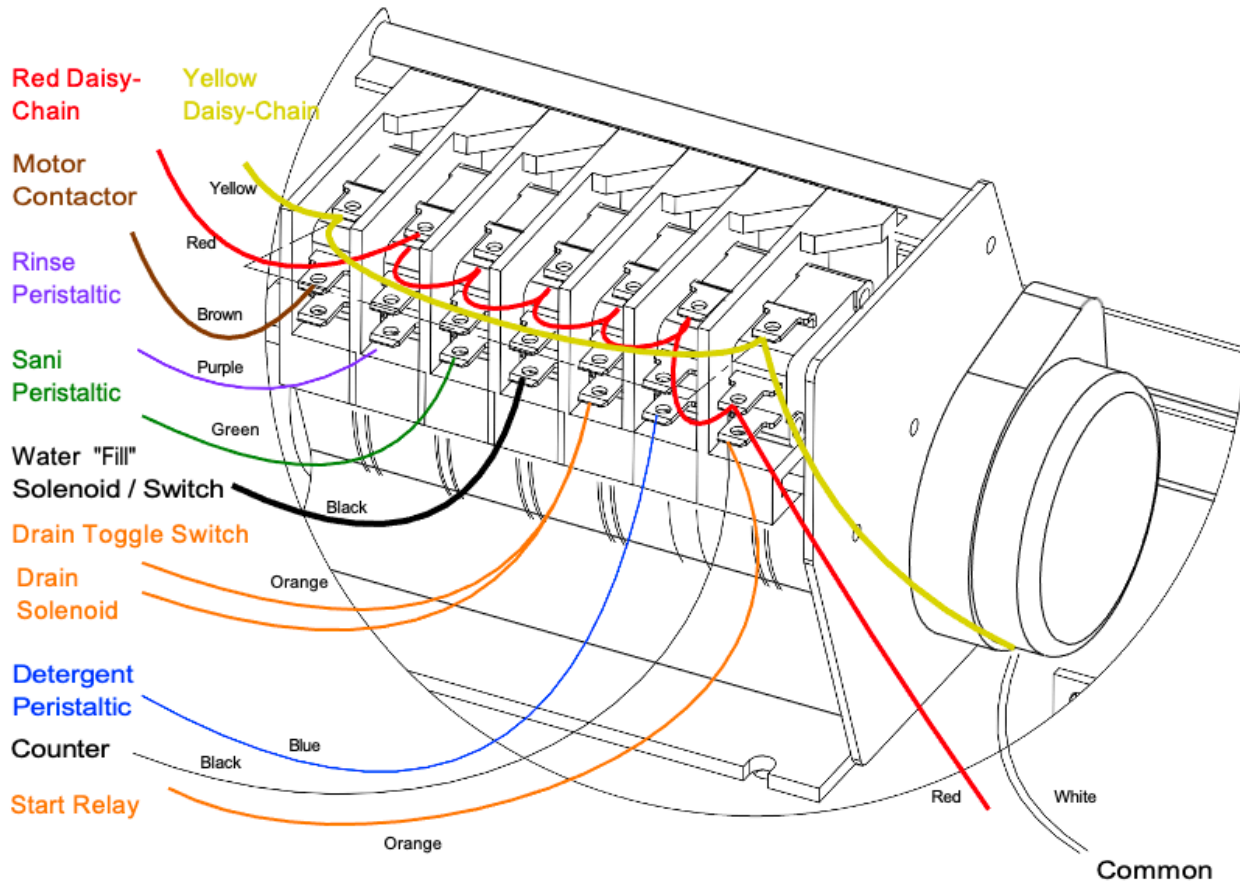
Vacuum Switch and Buzzer Locations



# L-Series Manual

## Cam-Timer Wire Connections

### 091-3073

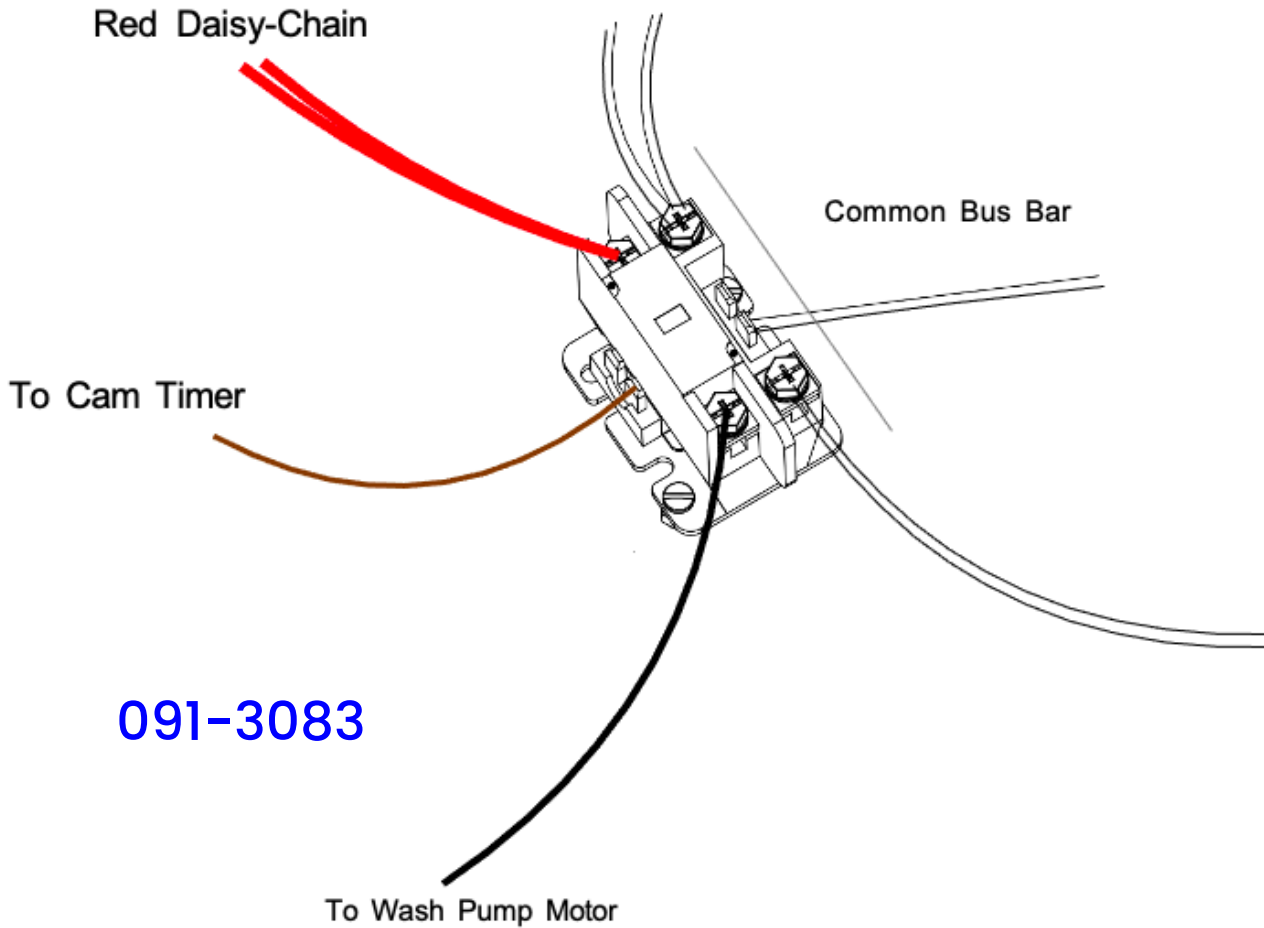


**NOTE:** Ensure terminals are properly seperated

# L-Series Manual

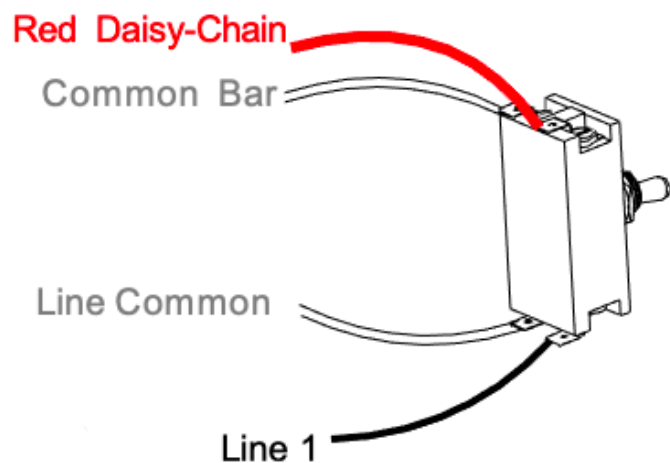
## Motor Contactor Wiring Connections

091-3083



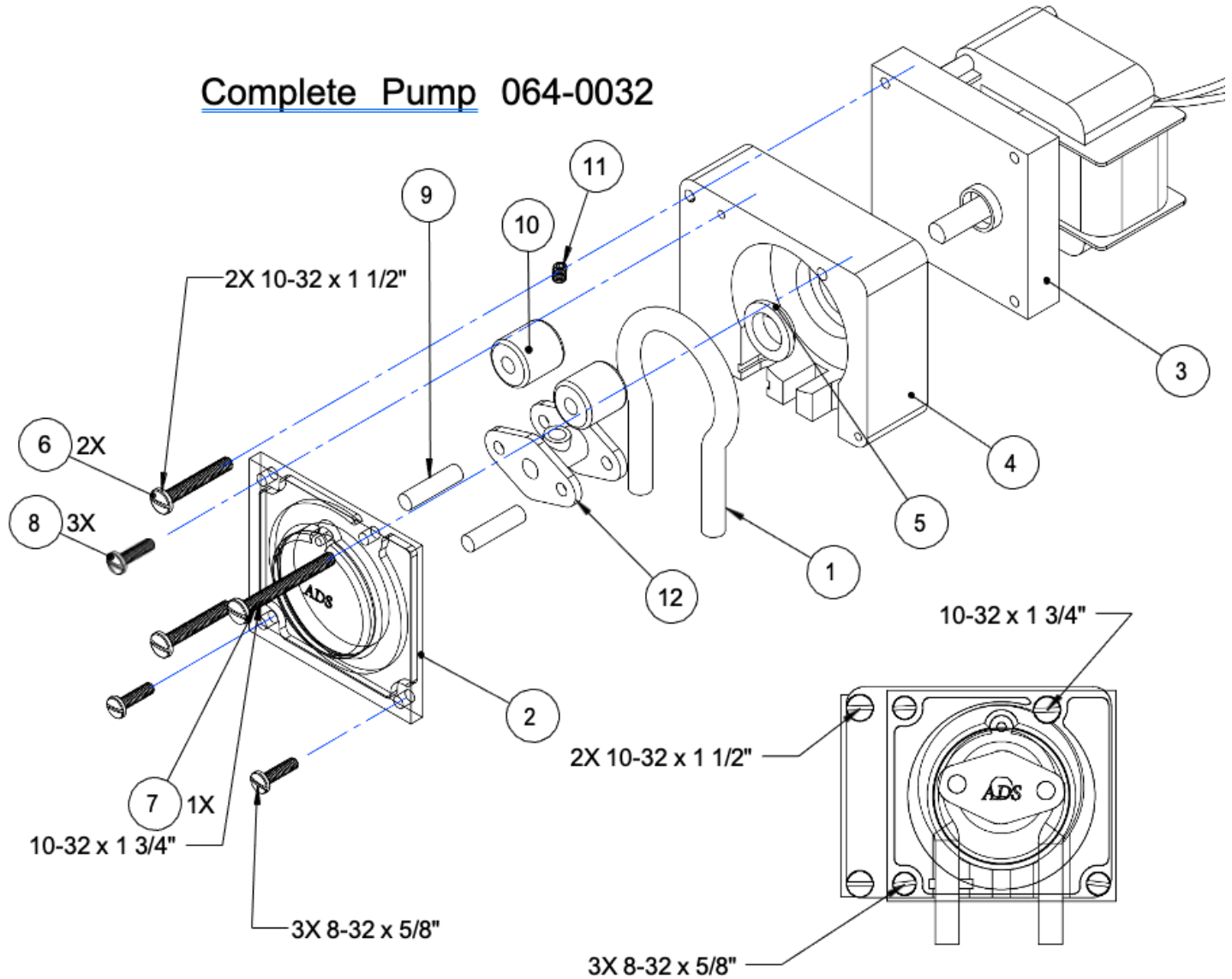
## Master Switch Connections

091-3008



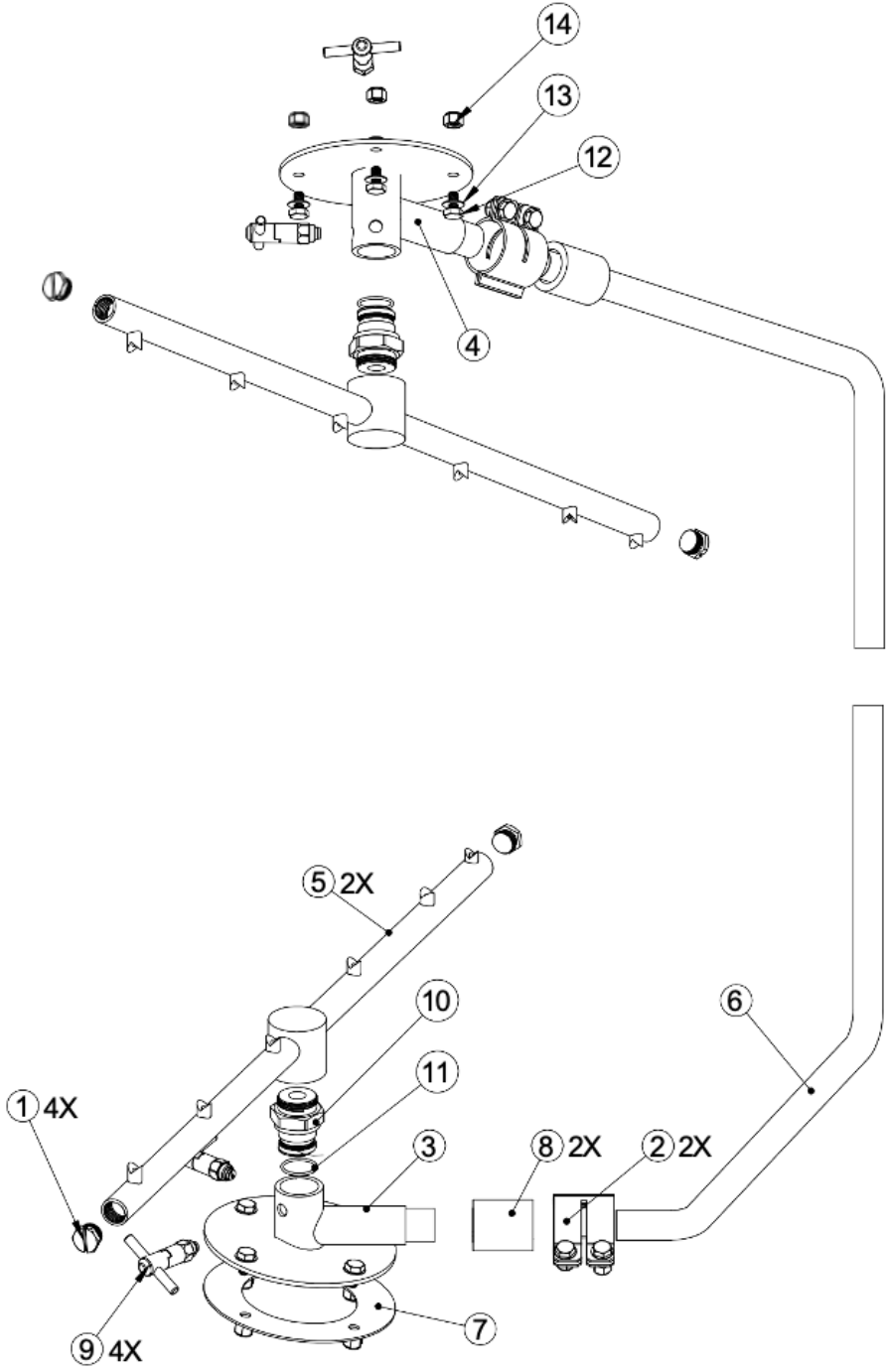
# L-Series Manual

## Chemical Pump Assembly & Bill of Materials



Ref. No.	Part No.	No. Req.	Description
1	<a href="#">093-1064</a>	1	Tube, Squeeze, Lined Norprene "Cream"
2	<a href="#">083-6707</a>	1	Cover, Chem. Pump (External) R
3	<a href="#">091-1023</a>	1	Motor, Chemical Pump, AF AFC-ES & ASQ (25RPM)
4	<a href="#">083-6703</a>	1	Housing, Chem. Pump (External) R
5	<a href="#">083-6708</a>	1	Bushing, Chem. Pump (External) R
6	<a href="#">098-1305</a>	2	Screw, 10-32 x 1 1/2" RH
7	<a href="#">098-1321</a>	1	10-32 x 1 3/4" RH Slotted
8	<a href="#">098-1205</a>	3	Screw, 8-32 5/8" RH Slotted
9	083-6706	2	Pump Pin, Chemical, AFC-3D SS
10	083-6705	2	Roller(Rotor), Chemical Pump, External mount R
11	<a href="#">098-1322</a>	1	Screw, 10-32 x 1/4" Socket Head Set
12	083-6704	1	Pump Rotor, Chemical, AF/AFC-3D 'H' Frame R

# L-Series Manual Spray Assembly



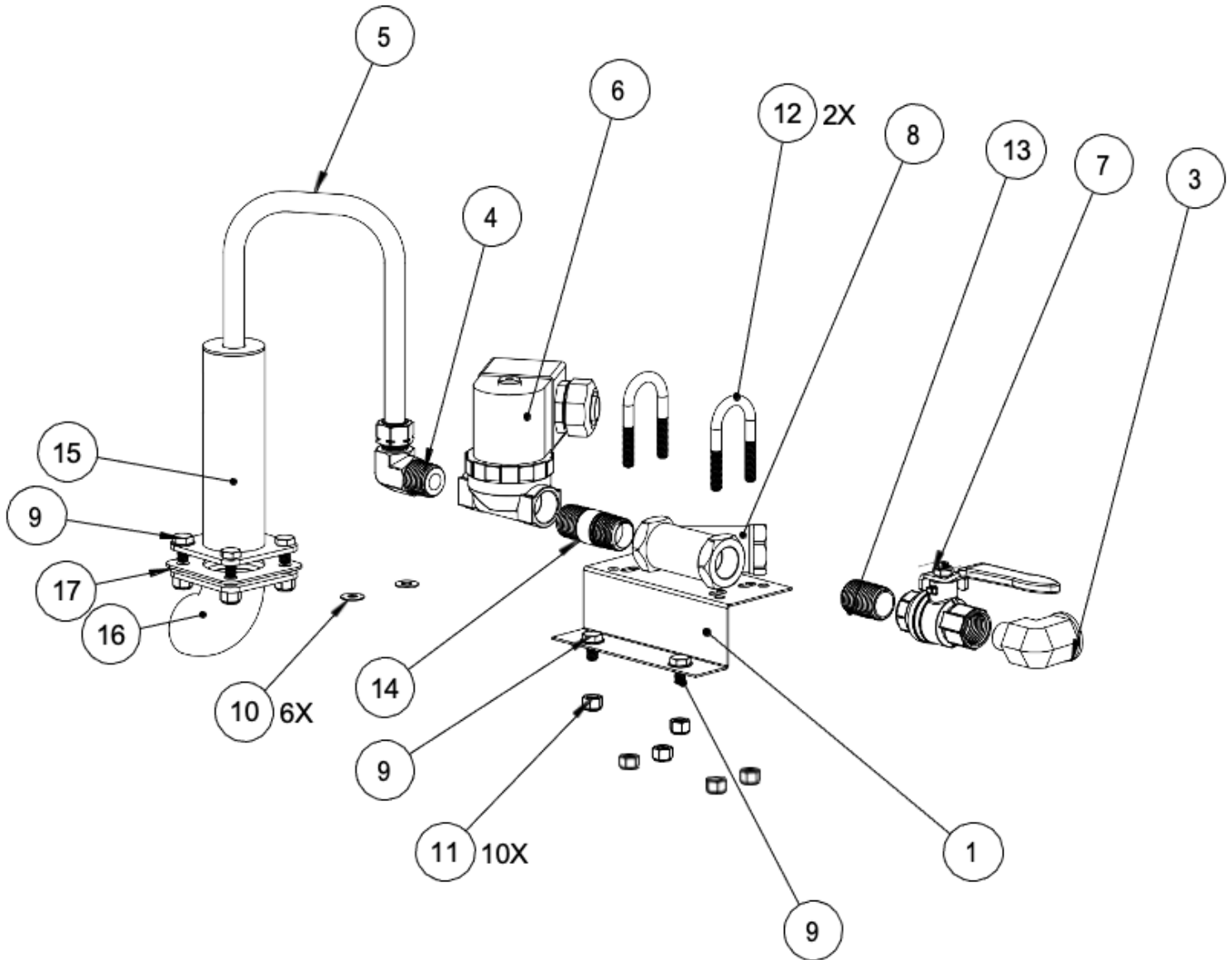
# L-Series Manual

## Bill of Materials

Ref. No.	Part No.	No. Req.	Description
1	<a href="#">084-6211</a>	4	Spray Arm End plug, SS
2	<a href="#">085-6407</a>	2	Clamp, Inside Manifold, SS, Welded Clamp
3	<a href="#">085-6625</a>	1	Base, Spray, Lower SS, 3D-S, 5AG- S, & AFB (Bayonet Type)
4	<a href="#">085-6626</a>	1	Base, Spray, Upper SS, 3D-S, ES, 5AG-S, & AFB (Bayonet Type)
5	085-6654	2	Spray Arm Weldment, 3DS/LW
6	<a href="#">087-6230</a>	1	Manifold, L-3DW-S/L-3DWC-S
7	<a href="#">089-6201</a>	1	Gasket, Spray Base
8	<a href="#">093-1047</a>	2	Sleeve Only, Inside Manifold Tube (Part of <a href="#">093-1041</a> ) C
9	<a href="#">099-1028</a>	4	Bayonet, Assembly Spray Base Pin
10	<a href="#">081-6217</a>	2	Spray Arm Bearing With O'ring
11	<a href="#">089-6310</a>	2	O'Ring Spray Arm Bearing
12	<a href="#">098-1423</a>	12	Bolt, 1/4"-20 x 1/2"
13	<a href="#">098-2404</a>	12	Washer, 1/4" SS Flat (Large)
14	<a href="#">098-2507</a>	12	Nut Lock, 1/4"-20 with Nylon Insert

# L-Series Manual

## Fresh Water Plumbing Assembly

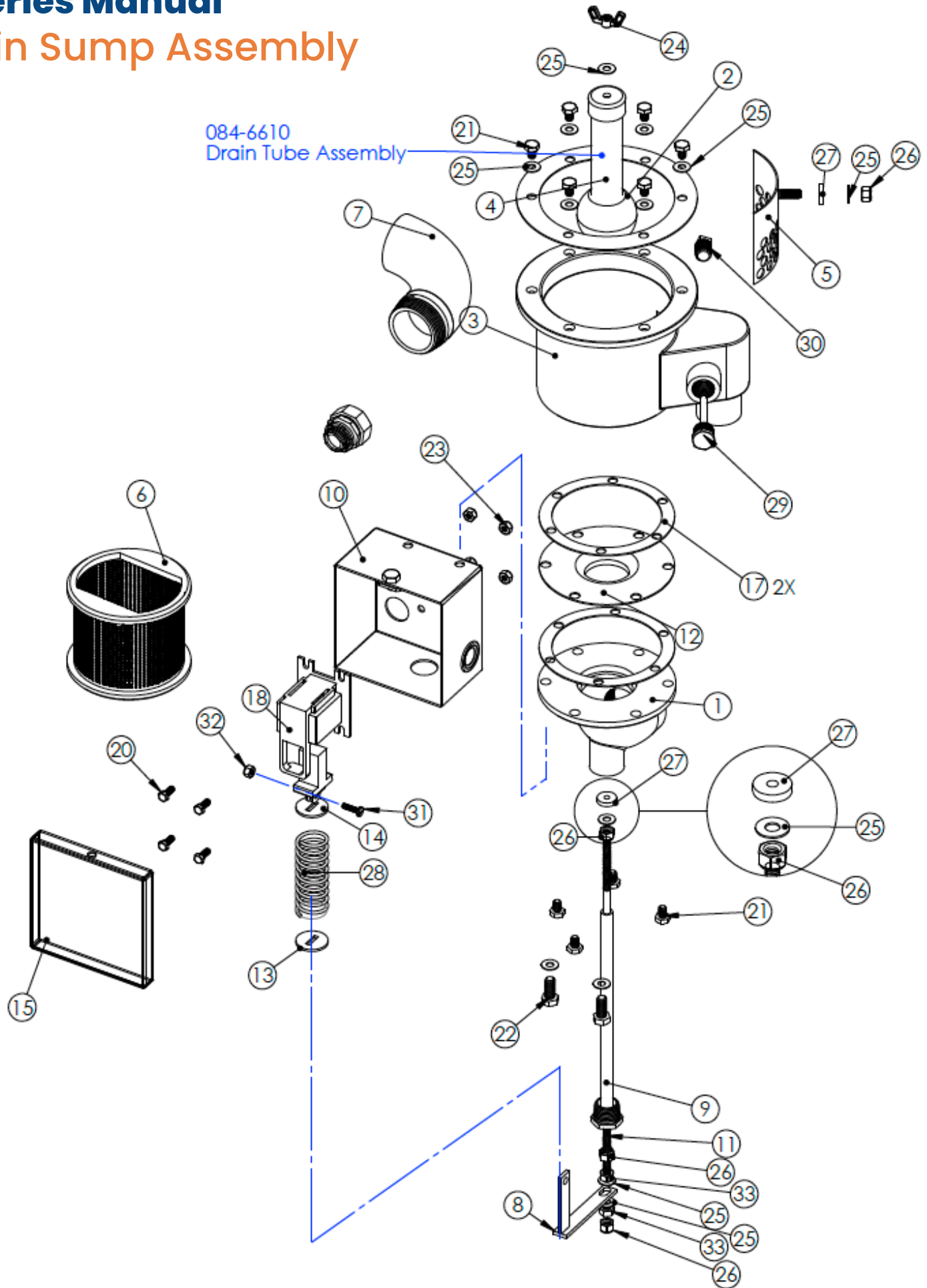


# L-Series Manual

## Bill of Materials

Ref. No.	Part No.	No. Req.	Description
1	<a href="#">086-6537</a>	1	Bracket, "Mounting", Fresh Water Plumb., 3D, L & ES Series
2	<a href="#">091-4141</a>	1	Conduit Fitting, 1/2", Straight
3	<a href="#">092-1006</a>	1	Fitting, Plumb. Street "L" 1/2", "LF"
4	<a href="#">092-1062</a>	1	Fitting, Plumb. 1/2" Comp. X 1/2" MPT, 90* Elbow "LF"
5	<a href="#">092-3118</a>	1	Tube, Fresh Water Supp., 3DS & ES, Air Gap
6	<a href="#">092-5015</a>	1	Valve, Water Solenoid 1/2" G R
7	<a href="#">092-5054</a>	1	Valve, Ball 1/2", "LF"
8	<a href="#">092-9001</a>	1	Line Strainer, 1/2" Y Type (standard Size For ADS), "LF" R
9	<a href="#">098-1423</a>	6	Bolt, 1/4-20 X 1/2" HH
10	<a href="#">098-2404</a>	6	Washer, 1/4" SS Flat (Large)
11	<a href="#">098-2507</a>	10	Nut, Lock, 1/4-20 w/ Nylon Insert
12	<a href="#">098-9027</a>	2	Bolt, 1/4" U (3D, ES, L-Series, ADC-44, & ADC-66)
13	<a href="#">292-3003</a>	1	Nipple, 1/2" X Close, SS N
14	<a href="#">292-3014</a>	1	Nipple, 1/2" x 2" Stainless N
15	<a href="#">385-6121</a>	1	Air Gap, HT-25 & 3D-S Series
16	<a href="#">385-6124</a>	1	Elbow, Air Gap Outlet Flange (Need Gasket <a href="#">389-6603</a> )
17	<a href="#">389-6603</a>	1	Gasket, Air Gap Flange

# L-Series Manual Drain Sump Assembly



# L-Series Manual

## Bill of Materials

Ref. No.	Part No.	No. Req.	Description
1	082-6609	1	Drain Elbow, L Series, ET-AF-M & ET-3
2	083-6601	1	Drain Ball, 1 1/2" C
3	085-6204	1	Drain Casting, w/ Tail Piece, 3D-S & ES Series, 5AG-S, -
4	084-6610	1	Drain Tube, Inside Sump C
5	085-6160	1	Screen, Drain Secondary, "L" & "ES" Series
6	085-6602	1	Screen, Drain, R
7	085-6246	1	Discharge pipe, Sump to Scrap Trap, AWS(-H)
8	085-6610	1	Link, Drain Solenoid (Inside Sump)
9	085-6611	1	Drain Shaft (Inside Sump)
10	085-6613	1	Box, Drain Solenoid, ET-AF & L Series
11	086-6307	1	Push Rod, Drain, ET-AF, L-3DW, L-3DWC, AFW,
12	086-6601	1	Drain Seat, 1 1/2"
13	086-6606	1	Washer Slotted, Small
14	086-6607	1	Washer Slotted, Large
15	086-6634	1	Cover, Drain Solenoid Box, AFW, AFWC, ET-AF
16	089-6601	1	Gasket, Drain Casting "Sump" R
17	089-6602	1	Gasket, Drain Tee & Drain Elbow
18	091-2014	1	Solenoid, Drain, 110 Volt (May 2018) R
19	091-4141	1	Conduit Fitting, 1/2", Straight
20	098-1306	4	Screw, 10-32 X 1/2" RH
21	098-1423	10	Bolt, 1/4-20 X 1/2" HH
22	098-1506	2	Bolt, 5/16-18 X 7/8" HH
23	098-2301	4	Nut, Lock, 10-32
24	098-2308	1	Nut, Wing, 1/4-20 w/ Nylon Insert
25	098-2404	13	Washer, 1/4" SS Flat (Large)
26	098-2507	3	Nut, Lock, 1/4-20 w/ Nylon Insert
27	098-9014	2	O'ring, Drain "Flat" (Inside Sump) R
28	098-3007	1	Spring, Drain Solenoid, Inside Sump
29	299-1005	1	Gauge, Temp, Wash/Rinse Tanks & Inside Sumps, 6' Capillary R
30	092-1144	1	Plug, Pipe 3/8", MPT, SS, Hex head
31	098-1205	1	Screw, 8-32 X 5/8" RH Slotted
32	098-2201	1	Nut, Lock, 8-32 Hex w/ Nylon Insert
33	098-2401	2	Nut, 1/4-20 Hex
N/S	093-1027	1ft	1 1/4" OD x 1" ID, Vinyl Tubing, ET
N/S	092-1061	1	Fitting, Plumb. 3/4", 45* Street Elbow "LF"
N/S	092-1112	1	Fitting, Plumb. 3/4" MPT X 1" Hose Barb, "LF"

## **American Dish Service**

---

**Manufacturer of low and high temperature Commercial  
Dishwashers and Glasswashers**

900 Blake Street | Edwardsville, Kansas 66111  
Phone: 913.422.3700 | Toll-Free: 800.922.2178 | Fax: 913.422.6630  
orders@americandish.com | [americandish.com](http://americandish.com)



an Ali Group Company



The Spirit of Excellence