

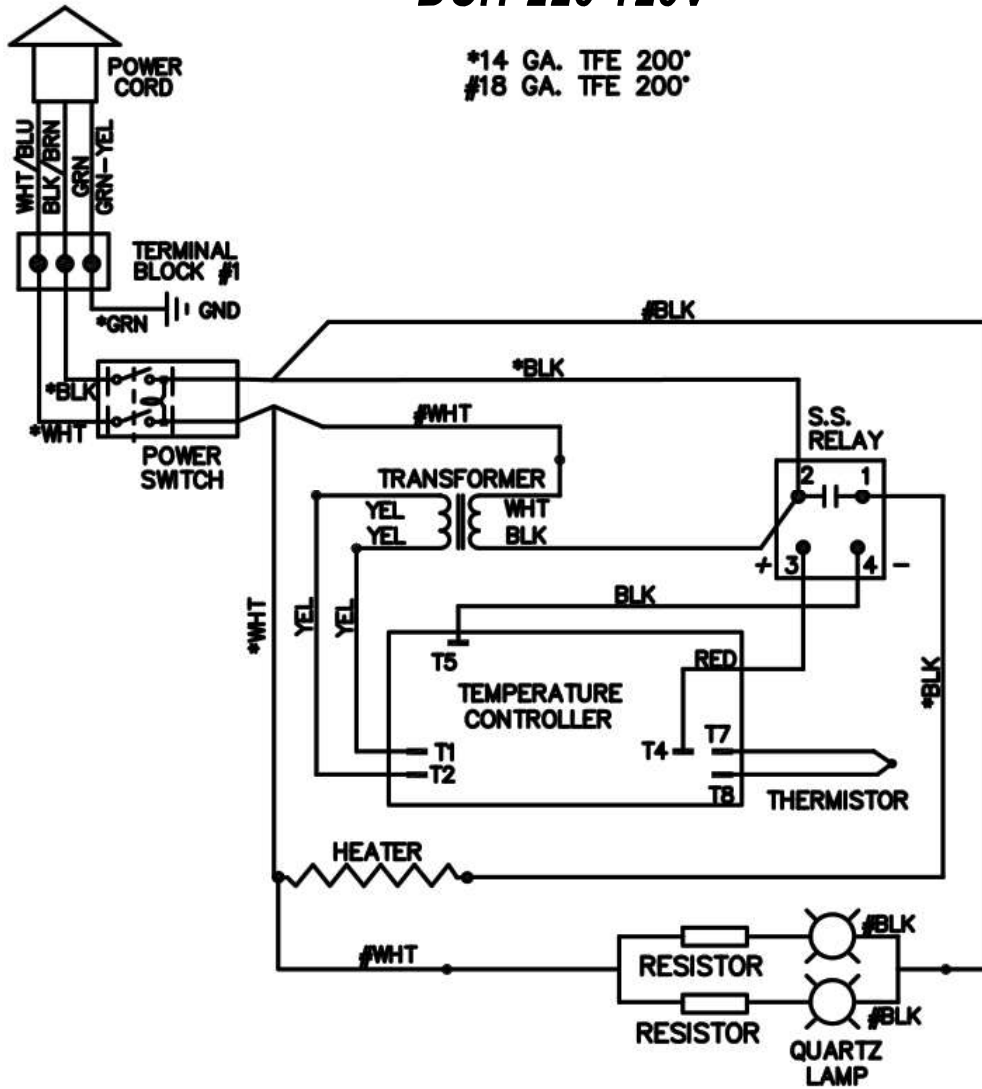
# Wiring Diagram

DCH-220 (120V) SQ

## WIRING DIAGRAM

### DCH-220 120V

\*14 GA. TFE 200'  
#18 GA. TFE 200'



# Wiring Diagram

DCH-220 (230V) SQ

