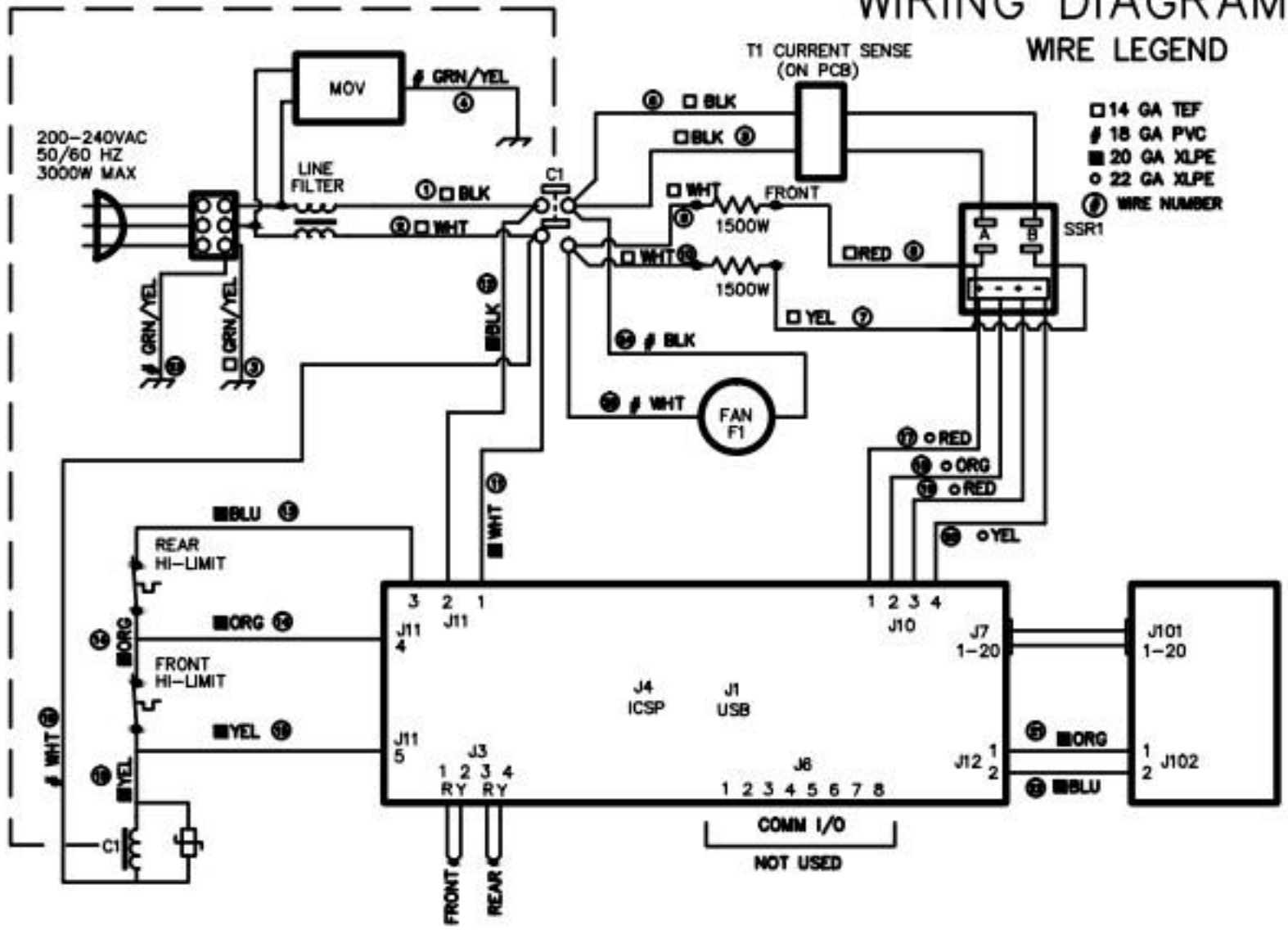


WIRING DIAGRAM

WIRE LEGEND

- 14 GA TEF
- # 18 GA PVC
- 20 GA XLPE
- 22 GA XLPE
- ⑦ WIRE NUMBER



200-240VAC
50/60 HZ
3000W MAX

T1 CURRENT SENSE
(ON PCB)

MOV

LINE FILTER

C1

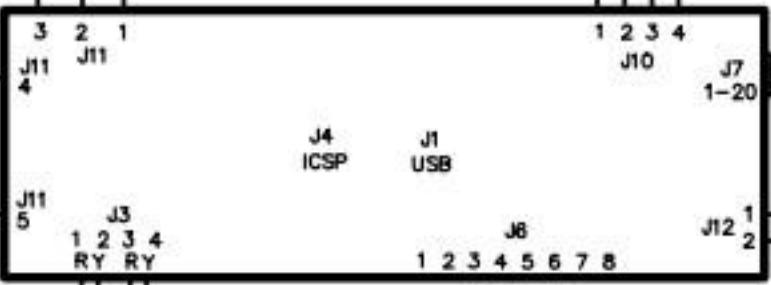
FRONT

1500W

1500W

FAN F1

SSR1



COMM I/O

NOT USED

