



# Vertical Contact Toaster

## Model VCT-2000 owner's manual

**Manufacturing Numbers:**

9210104, 9210209



# VERTICAL CONTACT TOASTER

## TABLE OF CONTENTS

<b>Owner Information</b> .....	<b>2</b>	Hi-Limit Reset Button .....	10
General .....	2	Fault Codes .....	10
Warranty Information .....	2	<b>Maintenance</b> .....	<b>11</b>
<b>Owner Information</b> .....	<b>3</b>	Daily.....	11
Service/Technical Assistance .....	3	Replacing the Black and Silver Release Sheet (Every 4–6 Weeks) .....	12
<b>Important Safety Information</b> .....	<b>4</b>	Replacing Belt Wraps (Every 3–6 Months) .....	12
<b>Specifications</b> .....	<b>5</b>	Checking the Conveyor Belt Chains (Every 3–6 Months) .....	13
Dimensions .....	5	Checking the Roller Tensioners (every 3–6 months) .....	14
Electrical Specifications at Listed Voltages .....	5	<b>Troubleshooting</b> .....	<b>15</b>
Electrical Cord & Plug Configurations .....	5	<b>Replacement Parts</b> .....	<b>19</b>
<b>Installation</b> .....	<b>6</b>	<b>Wiring Diagram</b> .....	<b>24</b>
Unpacking.....	6	<b>NOTES</b> .....	<b>25</b>
Equipment Setup .....	6	<b>ADDENDUM - INSTALLING CLIP STYLE BELT WRAPS</b> .....	<b>26</b>
Assembling the Unit .....	6	Limited Warranty .....	30
<b>Installation</b> .....	<b>7</b>		
<b>Operation</b> .....	<b>8</b>		
Operating Instructions .....	8		
Temperature Adjustments.....	8		

## OWNER INFORMATION

### General

The Vertical Contact Toaster Model VCT-2000 is designed for contact toasting of buns. The toaster design allows the operator to place buns on both sides of the heated platen at the same time. Buns are placed into the top of the toaster and uniform, golden brown, warm buns are then retrieved at the base of the toaster.

This manual provides the safety, installation, and operating procedures for the Vertical Contact Toaster Model VCT-2000. We recommend that all information contained in this manual be read prior to installing and operating the unit.

Your Vertical Contact Toaster Model VCT-2000 is manufactured from the finest materials available and assembled to our strict quality standards. This unit has been tested at the factory to ensure dependable trouble-free operation.

### Warranty Information

Please read the full text of the Limited Warranty in this manual.

If the unit arrives damaged, contact the carrier immediately and file a damage claim with them. Save all packing materials when filing a claim. Freight damage claims are the responsibility of the purchaser and NOT covered under warranty.

The warranty does NOT extend to:

- Damages caused in shipment or damage as result of improper use.
- Installation of electrical service.
- Normal maintenance as outlined in this manual.
- Malfunction resulting from improper maintenance.
- Damage caused by abuse or careless handling.
- Damage from moisture into electrical components.
- Damage from tampering with, removal of, or changing any preset control or safety device.

**IMPORTANT! Keep these instructions for future reference. If the unit changes ownership, be sure this manual accompanies the equipment.**

# VERTICAL CONTACT TOASTER

## OWNER INFORMATION

### Service/Technical Assistance

If you experience any problems with the installation or operation of your unit, contact Antunes Technical Service at +1-877-392-7854 (toll free).

Fill in the information below and have it handy when calling for assistance. The serial number is on the specification plate located on the rear of the unit.

Purchased From: \_\_\_\_\_

Date of Purchase: \_\_\_\_\_

Model No.: \_\_\_\_\_

Serial No.: \_\_\_\_\_

Mfg. No.: \_\_\_\_\_

Use only genuine Antunes replacement parts in this unit. Use of replacement parts other than those supplied by the manufacturer will void the warranty.

## IMPORTANT

**Antunes reserves the right to change specifications and product design without notice. Such revisions do NOT entitle the buyer to corresponding changes, improvements, additions, or replacements for previously purchased equipment.**

# VERTICAL CONTACT TOASTER

## IMPORTANT SAFETY INFORMATION

In addition to the warnings and cautions in this manual, use the following guidelines for safe operation of the unit.

- Read all instructions before using equipment.
- For your safety, the equipment is furnished with a properly grounded cord connector. Do NOT attempt to defeat the grounded connector.
- Install or locate the equipment only for its intended use as described in this manual. Do NOT use corrosive chemicals in this equipment.
- Do NOT operate this equipment if it has a damaged cord or plug, if it is not working properly, or if it has been damaged or dropped.
- This equipment should be serviced by qualified personnel only. Contact Antunes Technical Service for adjustment or repair.
- Do NOT block or cover any openings on the unit.
- Do NOT immerse cord or plug in water.
- Keep cord away from heated surfaces.
- Do NOT allow cord to hang over edge of table or counter.

The following warnings and cautions appear throughout this manual and should be carefully observed.

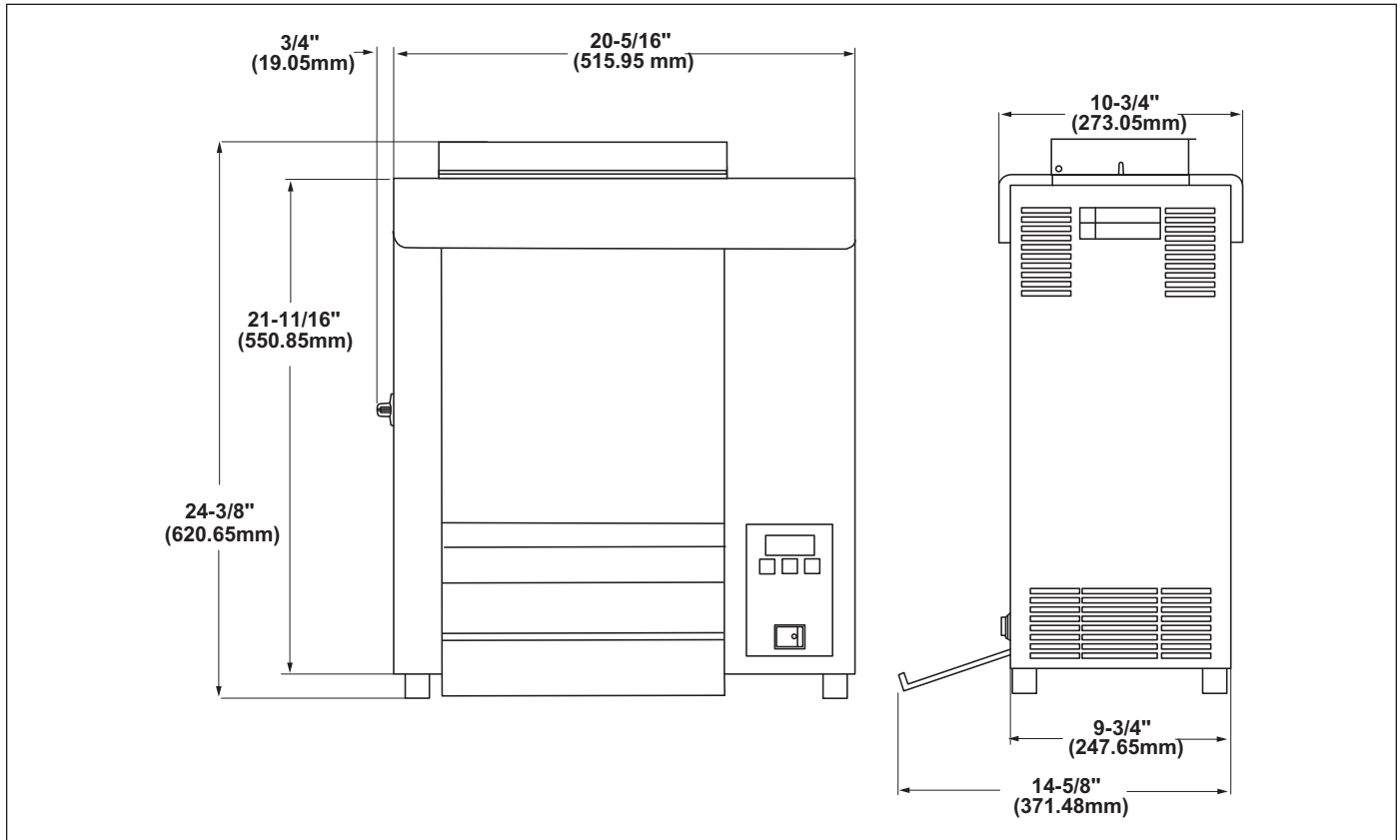
- Turn the power off, unplug the power cord, and allow unit to cool down before performing any service or maintenance.
- The toaster should be grounded according to local electrical codes to prevent the possibility of electrical shock. It requires a grounded receptacle with separate electrical lines protected by fuses or a circuit breaker of the proper rating.

- Bread may burn. Therefore toasters must not be used near or below curtains or other combustible walls and materials. Failure to maintain safe operating distances may cause discoloration or combustion.
- When installing conveyor belt wrap, be careful not to wrap it over the upper and lower support rods or permanent damage to belt will occur. Make sure belt wrap is positioned UNDER the upper and lower support rods.
- Make sure both ends of belt wrap are aligned evenly before installing belt wrap pin.
- Failure to use Release Sheets may result in damage to the equipment and loss of warranty coverage.
- Do NOT clean this appliance with a water jet.
- If the power cord is damaged, it must be replaced by the manufacturer, its service agent, or a similarly qualified person.
- All electrical connections must be in accordance with local electrical codes and any other applicable codes.
- **WARNING, ELECTRICAL SHOCK HAZARD. FAILURE TO FOLLOW THESE INSTRUCTIONS COULD RESULT IN SERIOUS INJURY OR DEATH.**
  - Electrical ground is required on this appliance.
  - Do NOT modify the power supply cord plug. If it does not fit the outlet, have a proper outlet installed by a qualified electrician.
  - Do NOT use an extension cord with this appliance.
  - Check with a qualified electrician if you are unsure if the appliance is properly grounded.

# VERTICAL CONTACT TOASTER

## SPECIFICATIONS

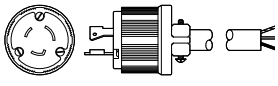
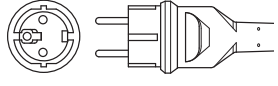
### Dimensions



### Electrical Specifications at Listed Voltages

Model & Mfg. No.	Voltage	Watts	Amps	Hertz
VCT-2000 9210104	208	3291	15.8	60
VCT-2000 9210209	230	3291	14.3	60

### Electrical Cord & Plug Configurations

Model & Mfg. No.	Description	Configuration
VCT-2000 9210104	L6-30P, 30 Amp., 250 VAC., Straight Twist Lock.	
VCT-2000 9210209	CEE 7/7, 16 Amp., 250 VAC	

# VERTICAL CONTACT TOASTER

## INSTALLATION

### Unpacking

1. Remove unit and all packing materials from shipping carton.
2. Open the included large box. It should contain the following:
  - Bun Chute (Figure 1)
  - Bun Feeder (Figure 1)
  - Two Release Sheets (Figure 1)
  - Owner's Manual
  - Maintenance Card
3. Remove all shipping tape and protective coverings from the unit and parts.

**NOTE:** If any parts are missing or damaged, contact Antunes Customer Service IMMEDIATELY at +1-877-392-7856 (toll free).

### Equipment Setup

Before placing the toaster into service, pay attention to the following guidelines:

- Make sure power is off and the toaster is at room temperature.
- Do NOT block or cover any openings on the unit.
- Do NOT immerse cord or plug in water.
- Keep cord away from heated surfaces.
- Do NOT allow cord to hang over edge of table or counter.
- Connect the unit to the proper power supply. Refer to the specification plate for the proper voltage.

### Assembling the Unit

**NOTE:** The factory has pre-installed a Release Sheet over the Platen (Figure 1). Verify that it is properly in place before proceeding.

1. Remove Bun Chute and Bun Feeder from the box and install (Figure 1).

**NOTE:** As of March 2017, the Interlock Switch was removed from use. If your toaster has the Interlock Switch (Figure 11), you will need to place the Heat Shield onto the toaster in order for the conveyors to turn. If your toaster does not have an Interlock Switch, the conveyors will turn as long as the unit is on.



Failure to use Release Sheets may result in damage to the unit and loss of warranty coverage.



Bread may burn. Therefore toasters must not be used near or below curtains or other combustible walls and materials. Failure to maintain safe operating distances may cause discoloration or combustion.



**ELECTRICAL SHOCK HAZARD. FAILURE TO FOLLOW THE INSTRUCTIONS IN THIS MANUAL COULD RESULT IN SERIOUS INJURY OR DEATH.**

- Electrical ground is required on this appliance.
- Do NOT modify the power supply cord plug. If it does not fit the outlet, have a proper outlet installed by a qualified electrician.
- Do NOT use an extension cord with this appliance.
- The toaster should be grounded according to local electrical codes to prevent the possibility of electrical shock. It requires a grounded receptacle with separate electrical lines protected by fuses or a circuit breaker of the proper rating.
- Check with a qualified electrician if you are unsure if the appliance is properly grounded.



All electrical connections must be in accordance with local electrical codes and any other applicable codes.

# VERTICAL CONTACT TOASTER

## INSTALLATION

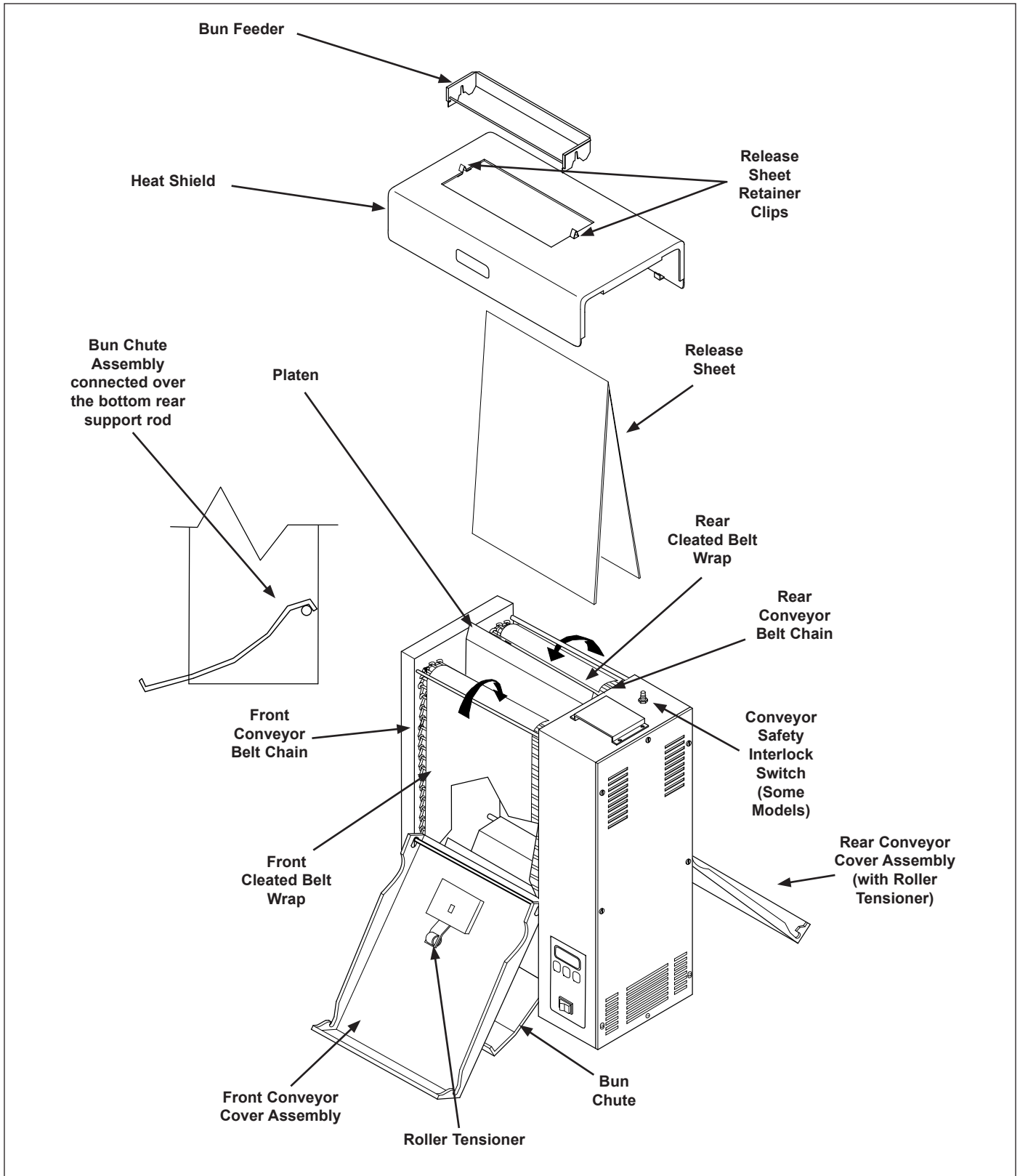


Figure 1. VCT-2000 Toaster

# VERTICAL CONTACT TOASTER

## OPERATION

### Operating Instructions

1. Set the Bun Thickness Adjustment Controls (Figure 3) to desired setting.

**NOTE: Recommended settings are “3” for heel and “E” for crown.**

2. Turn the power on and allow the toaster to warm-up for 30 minutes before proceeding.

**NOTE: The temperature display (Figure 2) will flash “LO” until the toaster reaches its preset operating temperature. When the toaster approaches the preset temperature of 600°F (315°C), “USE” appears in the temperature display and the unit is ready to toast buns. If “USE” does not appear in the window after approximately 30 minutes, contact your Authorized Service Agency.**

3. Drop Crowns into the front slot and Heels into the rear slot (Figure 2). **Cut sides of heel and crown must face each other.**
4. Toasted buns will drop into the Bun Landing Area (Figure 2).
5. Test at least 4 buns before putting the toaster into service.
6. Turn the power off when finished toasting for the day and proceed with the Daily Cleaning as outlined in the Maintenance section of this manual.

### Temperature Adjustments

The VCT-2000 uses a Platen Heater and two Auxiliary Air Heaters. The Platen Heater consists of a heating element built into the Platen to toast the cut side of the bun. The two Auxiliary Heaters assist in providing additional heat to the buns. The first Auxiliary Air Heater is located between the conveyor in the front of the toaster. The second Auxiliary Heater is located between the conveyor at the rear of the unit.

### RECOMMENDED TEMPERATURES

Recommended temperature setting for the platen heater is 600°F (315°C).

Recommended temperature setting for the auxiliary heaters is 400°F (204°C).

**NOTE: The toaster is tested and shipped with the heaters set to the recommended temperatures.**

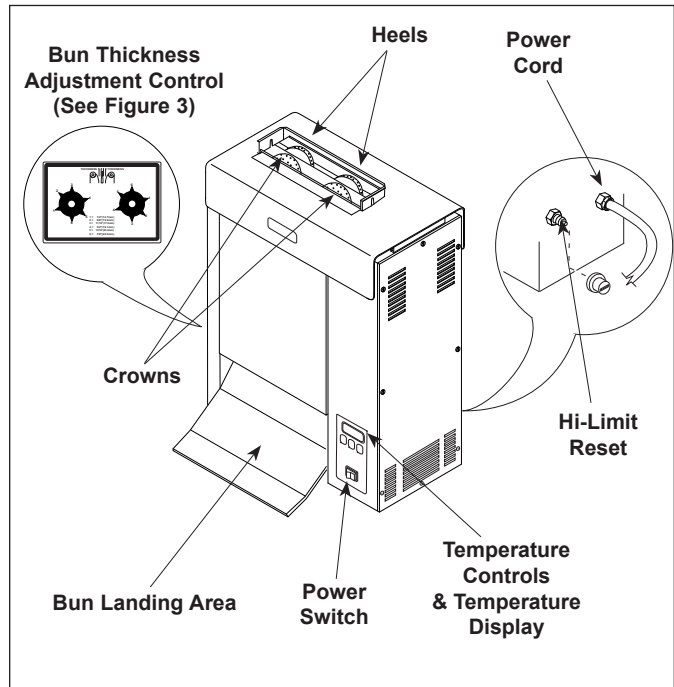


Figure 2. VCT-2000 Toaster

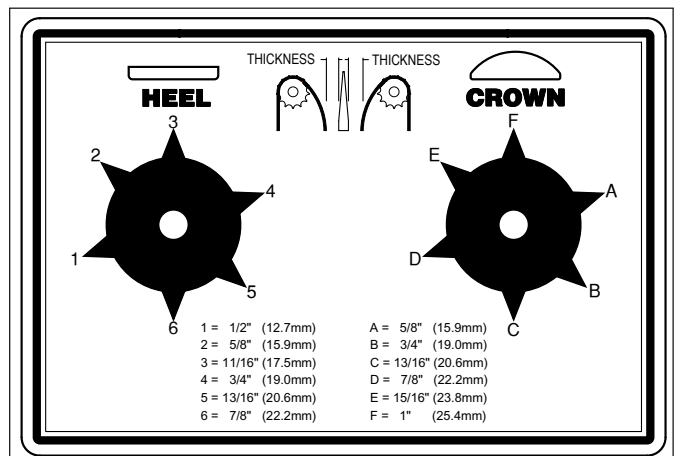


Figure 3. Bun Thickness Adjustment Controls

## OPERATION (continued)

### TEMPERATURE CONTROL PANEL

**NOTE:** The term “set point temperature” refers to the desired temperature setting.

To display the actual Platen temperature—providing it is over 440°F (227°C)—press the **TEMP UP** button.

To display the actual Auxiliary Air Heater temperature—providing it is over 360°F (182°C)—press the **TEMP DOWN** button.

To switch the temperature display between Fahrenheit (°F) and Celsius (°C), press and hold the **TEMP SCALE** button for 5 seconds.

### PLATEN HEATER TEMPERATURE ADJUSTMENT

1. Turn the power on and wait for the Temperature Display to finish the power up sequence (Figure 4).
2. Press and hold both **TEMP UP** and **TEMP DOWN** buttons for more than 1 second until the display flashes the Platen set point temperature, then release (Figure 5).
3. Press the **TEMP UP** button to raise the set point temperature or press the **TEMP DOWN** button to lower the set point temperature.

**NOTE:** The Maximum Platen Set point Temperature is 600°F (315°C). If no change in temperature is made within 5 seconds, the display reverts back to the previous set point.

4. Release the button when the desired set point is displayed.

### AUXILIARY AIR HEATER TEMPERATURE ADJUSTMENT

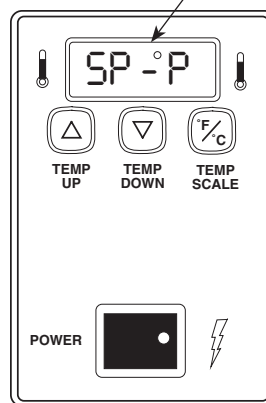
1. Turn the power on and wait for Temperature Display to finish the power up sequence (Figure 4).
2. Press and hold both **TEMP UP** and **TEMP SCALE** buttons for more than 1 second until the display flashes the set point temperature, then release (Figure 6).
3. Press the **TEMP UP** button to raise the set point temperature or press the **TEMP DOWN** button to lower the set point temperature.

**NOTE:** The maximum Auxiliary Air Heater Set point Temperature is 400°F (204°C).

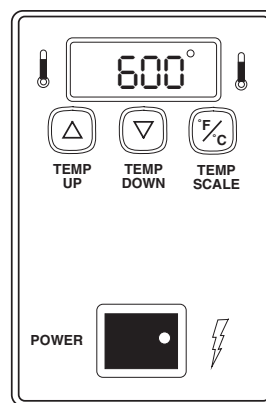
4. Release the button when the desired set point is displayed.

**NOTE:** If no change in temperature is made within 5 seconds, the display reverts back to the previous set point.

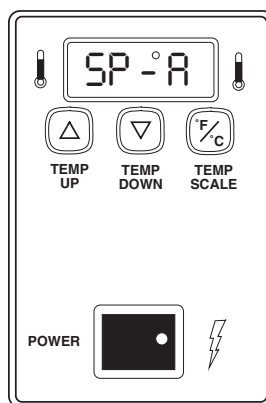
“Heat On” LED will blink on/off during warm-up and when either platen or auxiliary air heaters are calling for heat.



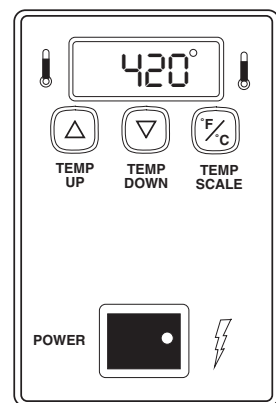
1. “SP-P” (Set Point Platen) is displayed



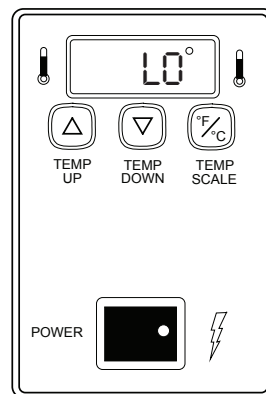
2. Current Platen Set Point Temperature Setting is shown



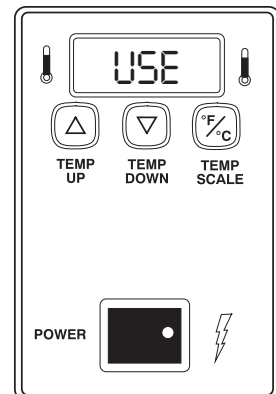
3. “SP-A” (Set Point Auxiliary) is displayed



4. Current Auxiliary Air Set Point Temperature is shown



5. “LO” is displayed until platen temperature rises above 550°F (288°C)



6. “USE” is displayed when Platen Set Point Temperature\* is reached

\* Platen set point temperature must be between 460°F (238°C) and 600°F (315°C).

Figure 4. Temperature Power Up Sequence

# VERTICAL CONTACT TOASTER

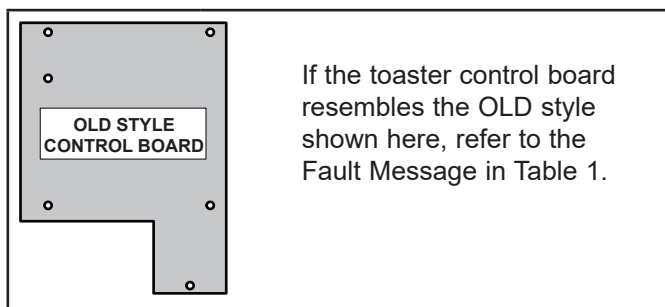
## OPERATION (continued)

### Hi-Limit Reset Button

A Hi-Limit Control turns off electrical power to the heater and control circuits if the unit overheats. To reset the control, allow 10–15 minutes for the unit to cool, then locate the Reset Button at the rear of the unit. Remove the protective cap, press the Reset Button, and reinstall the protective cap (Figure 2).

**NOTE: If the Hi-Limit requires continuous resetting, contact your Authorized Service Agency.**

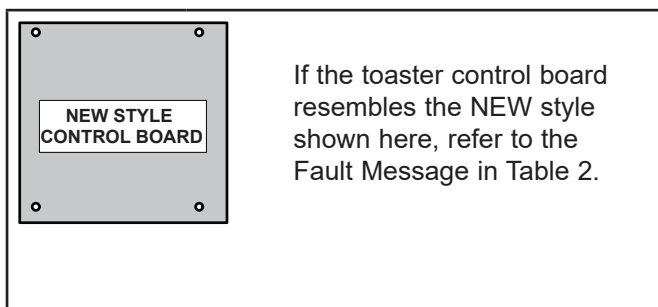
### Fault Codes



If the toaster control board resembles the OLD style shown here, refer to the Fault Message in Table 1.

FAULT CODE ON DISPLAY	FAULT CODE DESCRIPTION
"HI" Flashes on display	The platen thermocouple is disconnected or open or the platen relay is shorted. Call for service.
"HI" and "LO" flashes at cold start up	The auxiliary thermocouple is disconnected or open. Call for service.
"HI" and "USE" flashes after 30 minutes of pre-heat time	The auxiliary thermocouple is disconnected or open or the auxiliary relay is shorted. Call for service.
"CHEC"	The electrical compartment ambient temperature is above 140° F (60° C). All heaters will shut off. Check for proper airflow. Call for service.
"PO"	The incoming voltage has dropped below 175 VAC. All heaters will shut off. Call for service.

**Table 1**



If the toaster control board resembles the NEW style shown here, refer to the Fault Message in Table 2.

FAULT CODE ON DISPLAY	POSSIBLE CAUSE(S)
Err 1	Failed Control Board (Call for Service)
Err 2	Failed Control Board (Call for Service)
Err 3	The programming dip switches were not adjusted upon installation of the universal control board. The dip switches must be adjusted to match the toaster Mfg #. Refer to document P/N 1011052 for specific settings.
Err 4	Platen Thermocouple is shorted to chassis ground (Call for Service)
Err 5	Platen Thermocouple is Loose or Disconnected or Open (Call for Service)
Err 6	Failed Control Board (Call for Service)
Err 7	Failed Control Board (Call for Service)
Err 8	Failed Control Board (Call for Service)
Err 9	The programming dip switches were not adjusted upon installation of the universal control board. The dip switches must be adjusted to match the toaster Mfg #. Refer to document P/N 1011052 for specific settings. NOTE: If the dip switches were adjusted correctly, then the AC Isolator Board or its wiring is faulty. (Call for Service)
Err 10	Failed Control Board (Call for Service)
CHEC	Ambient in electrical compartment has exceeded 140 F (60 C). Check for proper airflow. (Call for Service)

**Table 2**

## MAINTENANCE

### ⚠ WARNING ⚠

Turn the power off, unplug the power cord, and allow the unit to cool down 30 minutes before performing any service or maintenance.

### ⚠ CAUTION ⚠

To prevent damage to the unit, do NOT use abrasive cleaners on the Release Sheet or belt wrap.

### ⚠ CAUTION ⚠

Failure to use Release Sheets may result in damage to the unit and loss of warranty coverage.

### Daily

Tools Required:

- Heat-Resistant Gloves
  - Clean Towels
  - Capital<sup>®</sup> Multipurpose Superconcentrate
  - Sanitizer Solution
1. Turn the power off, unplug the power cord, and clean the Release Sheet and Belt Wraps while they are warm.
  2. Put on heat-resistant gloves and remove the Bun Feeder, Heat Shield, and Bun Chute (Figure 1).
  3. Wash the Bun Feeder, Heat Shield, and Bun Chute in a sink and wipe them with a damp sanitized towel and allow them to air dry.
  4. Remove the Release Sheet and place it on a clean, flat dry surface.
  5. Wipe the silver side of the Release Sheet with a **clean** towel dampened with Capital<sup>®</sup> Multipurpose Superconcentrate immediately followed by a second clean towel dampened with sanitizer and allow it to air dry before continuing.
  6. Once the silver side is dry, repeat Step 5 on the black side of the Release Sheet.
  7. Open the front Conveyor Cover and firmly wipe the Belt Wrap from left to right and top to bottom with a clean towel dampened with Capital<sup>®</sup> Multipurpose Superconcentrate immediately followed by a second clean towel dampened with sanitizer.
  8. Close the front Conveyor Cover, open the rear Conveyor Cover, and clean the Belt Wrap as described in Step 7.

9. Close the rear Conveyor Cover. Reinstall the Heat Shield, plug in the power cord, turn the unit on, count 15 seconds, then turn the unit off and unplug the unit.

**NOTE: As of March 2017, the Interlock Switch was removed from use. If your toaster has the Interlock Switch (Figure 11), you will need to place the Heat Shield onto the toaster in order for the conveyors to turn. If your toaster does not have an Interlock Switch, the conveyors will turn as long as the unit is on.**

10. Open the rear Conveyor Cover again and clean the newly exposed section of the Belt Wrap in the same manner as before. Close the Conveyor Cover.
11. Open the front Conveyor Cover again and clean the newly exposed section of the Belt Wrap in the same manner as before.
12. Close the front Conveyor Cover and wipe down the outside of the toaster with a clean, damp, sanitized towel.
13. Install the Release Sheet by draping it over both sides of the Platen with the crease centered on the Platen.

**NOTE: To prolong the life of the Release Sheet, rotate it from the black side to the silver side on a daily or weekly basis.**

14. Install the Bun Chute so the hooks are installed over the lower rear yellow Support Rod.
15. Install the Heat Shield with the Release Sheet retainer clips securely over the Release Sheet and Platen.
16. Reinstall the Bun Feeder and plug in the unit.

**NOTE: Check the Release Sheet to make sure it is not caught in the Conveyor. Additional Release Sheets can be purchased through your Authorized Service Agency under P/N 7000249 (3-Pack) or 7000250 (10-Pack).**

# VERTICAL CONTACT TOASTER

## MAINTENANCE (continued)

### Replacing the Black and Silver Release Sheet (Every 4–6 Weeks)

**NOTE:** Depending on toaster usage and on how well it is cleaned daily, the black and silver Release Sheet should last between 45–60 days.

1. Remove and discard the Release Sheet.
2. Lay a new Release Sheet on a clean, dry surface and fold it in half lengthwise and gently crease it at the fold using only your fingers.
3. Install the Release Sheet just as you would after daily cleaning.

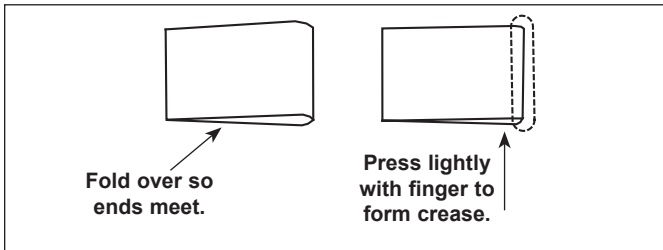


Figure 8. Folding the Release Sheet

### Replacing Belt Wraps (Every 3–6 Months)

**NOTE:** Depending on toaster usage and how well they are cleaned daily, the black cleated Belt Wraps should last between 3–6 months. Additional Belt Wraps may be purchased from your Authorized Service Agency.

**NOTE:** If you are installing the clip style belt wraps, skip to the Addendum at the end of this manual for installation instructions.

1. Turn the power off, unplug the power cord, and allow the unit to cool before proceeding.
2. Remove the Bun Feeder and Heat Shield and set the Compression Control Knobs to 6 and F.
3. Open both Conveyor Covers and pull the Belt Wrap Pin out of the zipper (Figure 6).
4. Remove and discard the old Belt Wrap(s).
5. Clean both Conveyor Belt Chains just as you would clean the Belt Wraps during daily cleaning.
6. Install the new Belt Wrap(s) around the Conveyor Belt Chains inside the conveyor support rods with the zipper flap exposed and hanging down (Figures 6 & 7).

7. Close the Conveyor Cover(s), set the Compression Control Knobs back to their normal settings and reinstall the Heat Shield and Bun Feeder.

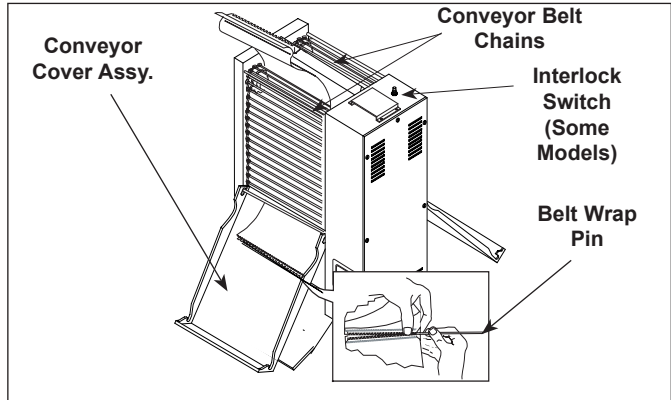


Figure 5. Removing Belt Wrap

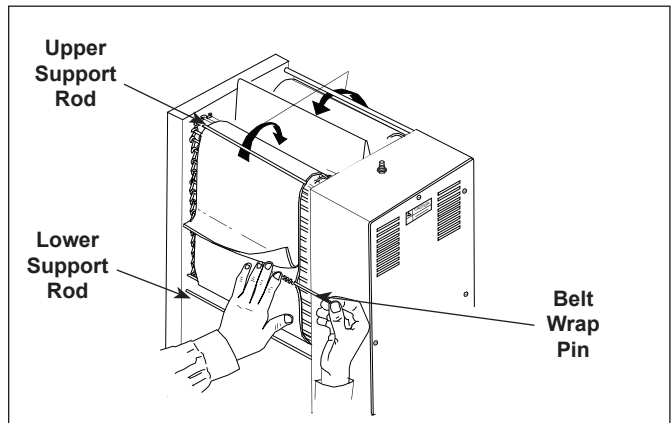


Figure 6. Installing Belt Wrap

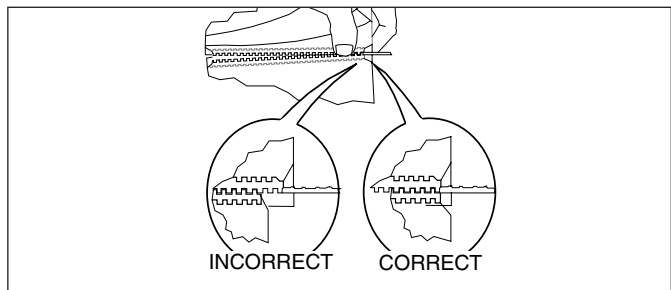


Figure 7. Aligning Belt Teeth

### ⚠ CAUTION ⚠

Position the Belt Wrap **UNDER** the upper and lower conveyor support rods or damage to the unit may occur.

## MAINTENANCE (continued)

### Checking the Conveyor Belt Chains (Every 3–6 Months)

#### MEASURING CONVEYOR BELT CHAINS

1. Turn the unit off, unplug the power cord, and allow the unit to cool.
2. Remove the Bun Feeder and Heat Shield (Figure 1) and set the Bun Thickness Compression Knobs to 6 & F.
3. Open both Conveyor Covers and pull the Belt Wrap Pin out of the zipper (Figure 6).
4. Remove the Belt Wrap.
5. Facing the toaster, locate the approximate center-point of the Conveyor Chain.
6. Pull the Conveyor Chain away from the edge of the toaster (Figure 8).
7. Stand a U.S. Dime on end between the frame and the chain (Figure 8).
8. If the gap is significantly wider than the coin, REMOVE links as described below.
9. Disconnect the Conveyor Belt Chain by squeezing any two links together and unhooking both ends one link (Figure 9). Needle-nose pliers may be used.

**NOTE:** There are two small 1/2" links on each side of the Conveyor Belt Chain. The rest are large 3/4" links.

10. Remove one 1/2" link from the belt.
11. Reassemble the Conveyor Belt Chain onto the sprockets as described in Replacing Conveyor Belt Chains.
12. Measure the gap again to ensure it is not too tight.
13. Check the opposite side of the toaster using the same steps.

**NOTE:** If the Conveyor Belt Chain is too tight to be reassembled, remove an additional small 1/2" link and install a large 3/4" link in its place. This will shorten the Conveyor Belt Chain by 1/4" overall.

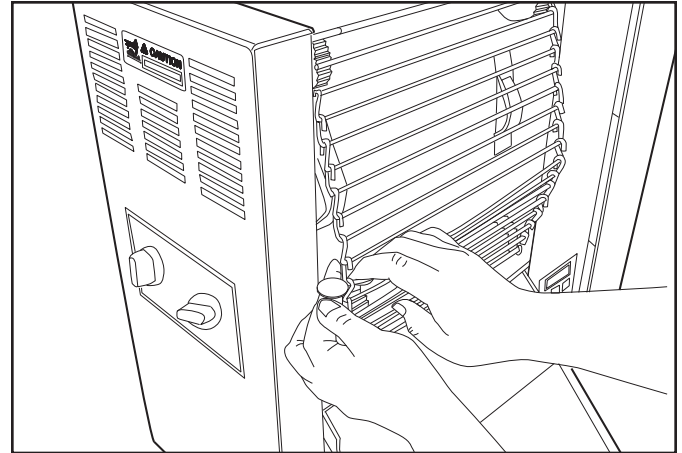


Figure 8. Measuring Conveyor Belt Chain

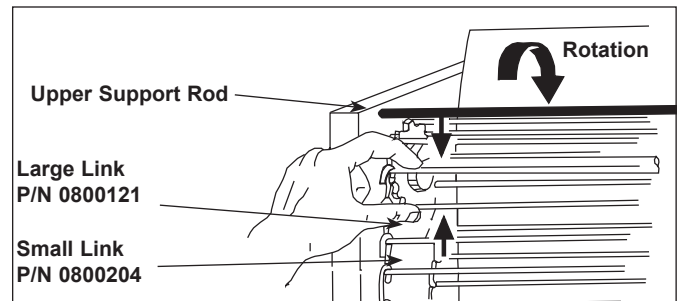


Figure 9. Removing Conveyor Belt

#### REPLACING CONVEYOR BELT CHAINS

1. Turn the power off, unplug the power cord, and allow the unit to cool before proceeding.
2. Remove the Bun Feeder and Heat Shield and set the Compression Control Knobs to 6 & F.
3. Open both Conveyor Covers and pull the Belt Wrap Pin out of the zipper.
4. Remove and discard the old Belt Wrap(s).
5. Disconnect the Conveyor Belt Chain by squeezing any two links together and unhooking both ends of one link (Figure 9).
5. Place the replacement Conveyor Belt Chain on the top sprockets with hook ends down.

**NOTE:** The ends of the hooks must point down (Figure 9).

6. Wrap the Conveyor Belt Chain around the top and lower sprockets and connect by hooking both ends together.

**NOTE:** Make sure the Conveyor Belt Chain is installed under the Upper Support Rod and over the Lower Support Rod.

# VERTICAL CONTACT TOASTER

## MAINTENANCE (continued)

### Checking the Roller Tensioners (every 3–6 months)

#### MEASURING THE ROLLER TENSIONERS

1. Measure the Roller Tensioner on both inner Conveyor Covers (Figure 10) using a U.S. Nickel.
2. The space between the inner Conveyor Cover and bottom of the Tensioner wheel should be  $13/16$ " (2.1 cm) or the height of a U.S. Nickel.
3. Adjust or replace any damaged ones as recommended.

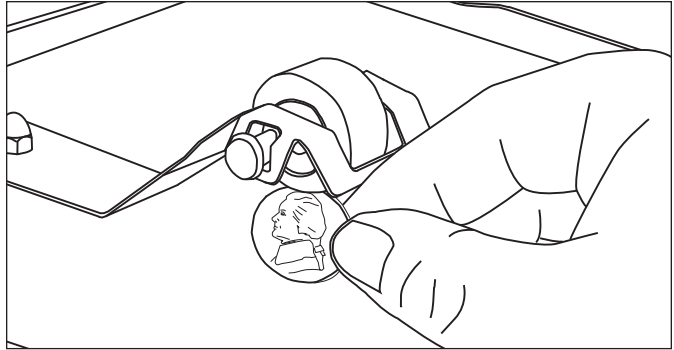


Figure 10. Measuring the Roller Tensioner

#### REPLACING THE ROLLER TENSIONERS

1. Push down on retaining tab of the tensioner.
2. While keeping pressure on the retaining tab, slide the tensioner out of the guide plate.
3. Replace the tensioner by sliding the new one into the retainer plate.

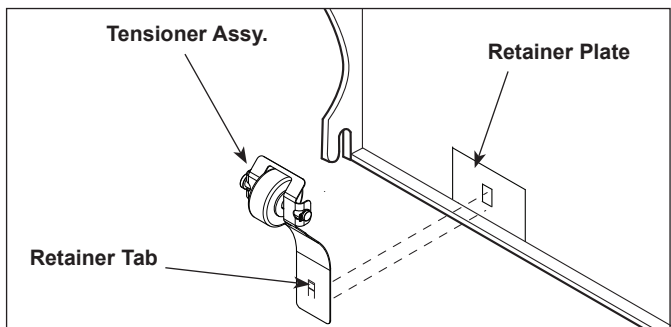


Figure 11. Replacing Roller Tensioner Assy.

# VERTICAL CONTACT TOASTER

## TROUBLESHOOTING

### ⚠️ WARNING ⚠️

**To avoid possible personal injury and/or damage to the unit, inspection, test, and repair of electrical equipment should be performed by qualified service personnel. The unit should be unplugged when servicing, except when electrical tests are required. Use extreme care during electrical circuit tests. Live circuits will be exposed.**

Problem	Possible Cause	Corrective Action
Control Display flashes “LO” continuously. Buns not toasting properly.	Platen temperature is below 440°F (226°C).	Allow the unit to warm up for 30 minutes and then recheck. If the Control Display still reads “LO”, contact your maintenance person or Authorized Service Agency for service.
Control Display flashes “LO” continuously. Buns Burn.	Failed Platen Thermocouple.	Contact your maintenance person or Authorized Service Agency for service.
	Failed Control Board	
Control Display flashes “PO” continuously.	The power to the unit is below 190 volts.	Turn the power off and then back on. If the display still shows “PO”, check the power cord, plug, and outlet for damage.
	Failed Control Board.	Reset the Circuit Breakers.
	Failed Transformer.	Contact your maintenance person, Authorized Service Agency, or electrician for service.
Control flashes “CHEC” continuously.	Control Compartment temperature is above 140°F (60°C).	Verify side vents on toaster are unblocked and not near other heating appliances. If problem still persists, contact your maintenance person or Authorized Service Agency for service.
	Failed Cooling Fan.	
	Failed Control Board.	
Control Display flashes “HI” continuously. Buns burn.	Failed Platen Solid State Relay.	Contact your maintenance person or Authorized Service Agency for service.
	Failed Control Board.	
	Failed Platen Thermocouple.	
Control Display flashes “HI” continuously. Buns not toasting properly.	Loose Platen Thermocouple connection on Control Board or the Platen Thermocouple is open.	Re-secure the Platen Thermocouple connection to the Control Board. If the Control Display still reads “HI”, check the Thermocouple for continuity.
	Failed Control Board.	Contact your maintenance person or Authorized Service Agency for service.
Control Display flashes “HI” and “LO” at cold start up, then “HI” and “USE” after 20–30 minutes.	Loose Auxiliary Thermocouple connection on Control Board or Thermocouple is open.	Resecure the Auxiliary Thermocouple connection to the Control Board. If the Control Display still reads “HI” and “LO” or “HI” and “USE”, check Thermocouple for continuity. Contact your maintenance person or Authorized Service Agency for service.
No Control Display.	Unit not plugged in.	Plug unit into the proper electrical outlet.
	Hi-Limit control has tripped.	Allow unit to cool and reset the Hi-Limit control. If it trips again, contact your maintenance person or Authorized Service Agency.
	Circuit Breakers turned off or tripped. Damaged electrical outlet, plug, or cord. Power Switch damaged.	Reset Circuit Breakers. If they trip again, check the cord, plug, and outlet for damage. Contact your maintenance person, Authorized Service Agency, or electrician.

# VERTICAL CONTACT TOASTER

## TROUBLESHOOTING (continued)

Problem	Possible Cause	Corrective Action
Conveyor does not turn.	Safety Interlock Switch (if present) is not activated.	Reposition the Heat Shield properly. If the Interlock Switch has failed, order kit 7001436 to remove and bypass the Interlock Switch.
	Heat Shield is bent or damaged	Replace Heat Shield (P/N 0011528).
	Damaged or Missing Roller Tensioner(s)	Adjust or replace Roller Tensioner(s).
	Conveyor Belt/Chain has stretched. Chain skipping on sprockets.	Measure and adjust the Conveyor Belt Chains as described in the Maintenance section of this manual.
	Motor Drive Chain came off Sprocket(s).	Reinstall Drive Chain.
	Drive Chain needs lubrication.	Lubricate chain P/N 2190152.
	Drive Motor has overheated	Allow unit to cool and check Conveyor(s) for obstructions or binding at sprockets. Measure and adjust Conveyor Belt(s) as described in the Maintenance section of this manual.
	Drive Motor has failed.	Contact your maintenance person or Authorized Service Agency for service.
Buns not toasting adequately.	Compression Settings are incorrect.	Use the recommended settings. Set Heel to 3 and Crown to E.
	Temperature Setting is incorrect.	Verify that the Platen (SP-P) is set to 600°F (320°C) and the Auxiliary (SP-A) is set to 400°F (204°C). For making changes in the Set point temperature, see the Installation section of this manual.
	Release Sheet is worn or needs cleaning (replace every 4–6 weeks).	Inspect Release Sheet for cleanliness, worn spots, tears, or wrinkles. Clean or replace Release Sheet as described in the Maintenance section of this manual.
	Belt Wraps are worn or need cleaning (replace every 3–6 months).	Replace or clean Belt Wraps as described in the Maintenance section of this manual.
	Belt Wraps are not tacky/sticky.	Clean or replace Belt Wraps as described in the Maintenance section of this manual.
	Buns do not meet specifications.	Contact your bun supplier.

# VERTICAL CONTACT TOASTER

**(continued)**

Problem	Possible Cause	Corrective Action	
Crowns and/or Heels must be forced into the toaster. Buns sticking and burning.	Belt Wraps not being cleaned properly.	Clean Belt Wraps as described in the Maintenance section of this manual.	
	Conveyor Belt Wraps are not tacky/ sticky (replace every 3–6 months).	Clean Belt Wraps. If the Belt Wraps are too worn, replace them as described in the maintenance section of this manual.	
	Belt Wraps are dirty, worn, or damaged (replace every 3–6 months).	Clean or replace Belt Wraps as described in the Maintenance section of this manual.	
	Release Sheet is not being cleaned properly.	Clean both sides of the black and silver Release Sheet as described in the Maintenance section of this manual.	
	Release Sheet is not being reversed as required.	Reverse the Release Sheet or replace Release sheet as described in the Maintenance section of this manual.	
	Release Sheet is dirty, worn, or damaged (replace every 4–6 weeks).	Clean or replace Release Sheet as described in the Maintenance section of this manual.	
	Conveyor Belt Chains are skipping on Sprockets.	Measure and adjust the Conveyor Belt Chains as described in the Maintenance section of this manual.	
	Safety Interlock Switch (if present) is not being activated by the Heat Shield.		If the Interlock Switch is present, Heat Shield is ajar. Reposition Heat Shield.
			Heat Shield is damaged. Replace if necessary. If the Interlock Switch has failed, order kit 7001436 to remove and bypass the Interlock Switch.
	Belt Wraps slipping over Conveyor Belt Chains.	Remove Belt Wraps and clean the Conveyor Belt Chain links and Belt Wraps as described in the Maintenance section of this manual.	
	Roller Tensioner(s) damaged or missing.	Reinstall or replace Roller Tensioner(s) as described in the Maintenance section of this manual.	
	Drive Motor stalls intermittently.	Contact your maintenance person or an Authorized Service Agency for service.	
	Compression Settings are incorrect.	Use the recommended settings. Set Heel to 3 and Crown to E.	
Buns are not inserted into the toaster properly.	Buns must be inserted with the cut sides facing each other on the correct Heel or Crown side.		
New Conveyor Belt Wraps do not fit.	Compression Settings are incorrect.	Set Compression Knobs to 6 and F when replacing Belt Wraps or when adjusting Conveyor Belt Chains.	
	Belt Wraps not installed correctly.	Install Belt Wraps inside the Yellow Rods with the zipper flap exposed and hanging down.	
	Using incorrect or damaged Belt Wraps.	Replace with P/N 7000192 only.	

# VERTICAL CONTACT TOASTER

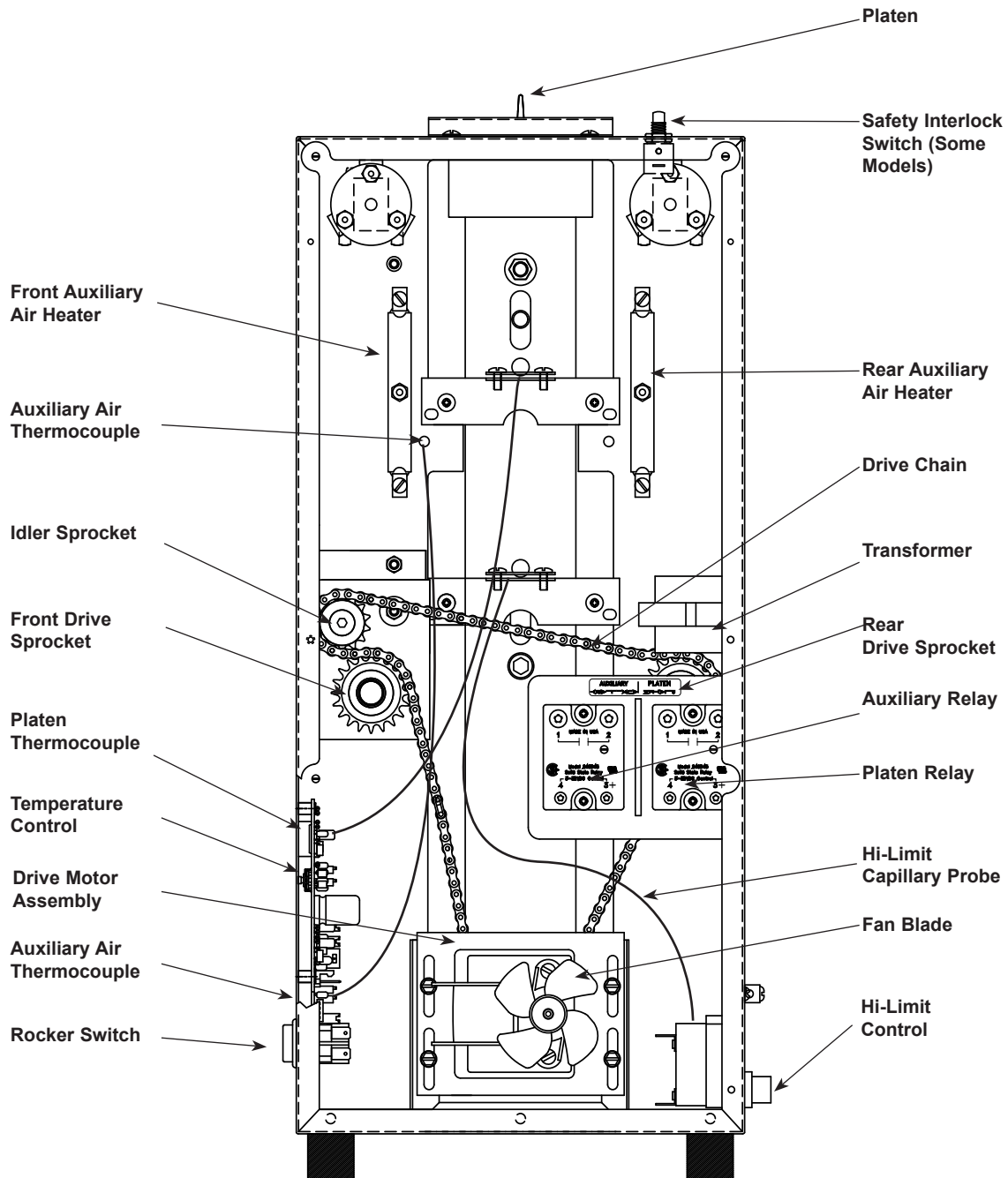
## TROUBLESHOOTING (continued)

Problem	Possible Cause	Corrective Action
Toaster makes unusual sounds.	Compression Settings are too tight.	Set Compression Settings to the correct (or larger) setting.
	Conveyor Belt Wrap is installed incorrectly.	Belt Wraps must be installed as described in the Maintenance section of this manual.
	Belt Wrap Pin rubbing on housing.	Center the Pin in the Belt Wrap zipper.
	Roller Tensioner(s) bent or missing.	Measure, adjust, or replace the Roller Tensioner(s) as described in the Maintenance section of this manual.
	Conveyor Belt Chains have stretched.	Measure and adjust the conveyor Belt Chains as described in the Maintenance section of this manual.
	Conveyor Belt Chains adjusted incorrectly.	
	Sugar and/or Carbon has accumulated inside the Conveyor Belt Wrap and between the Conveyor Belt chain and Tensioner Slide Rails.	Remove Belt Wraps, clean Conveyor Belt Chain links just as you clean the Belt Wraps daily, and then clean the Slide Rails on the Tensioners. Next, clean the Belt Wrap on both sides before reinstalling it.
	Motor Drive Chain needs lubrication.	Lubricate the Drive Chain carefully with P/N 2140152 at least once a year.
	A Conveyor Shaft bearing is binding.	Contact your maintenance person or Authorized Service Agency for service.

# VERTICAL CONTACT TOASTER

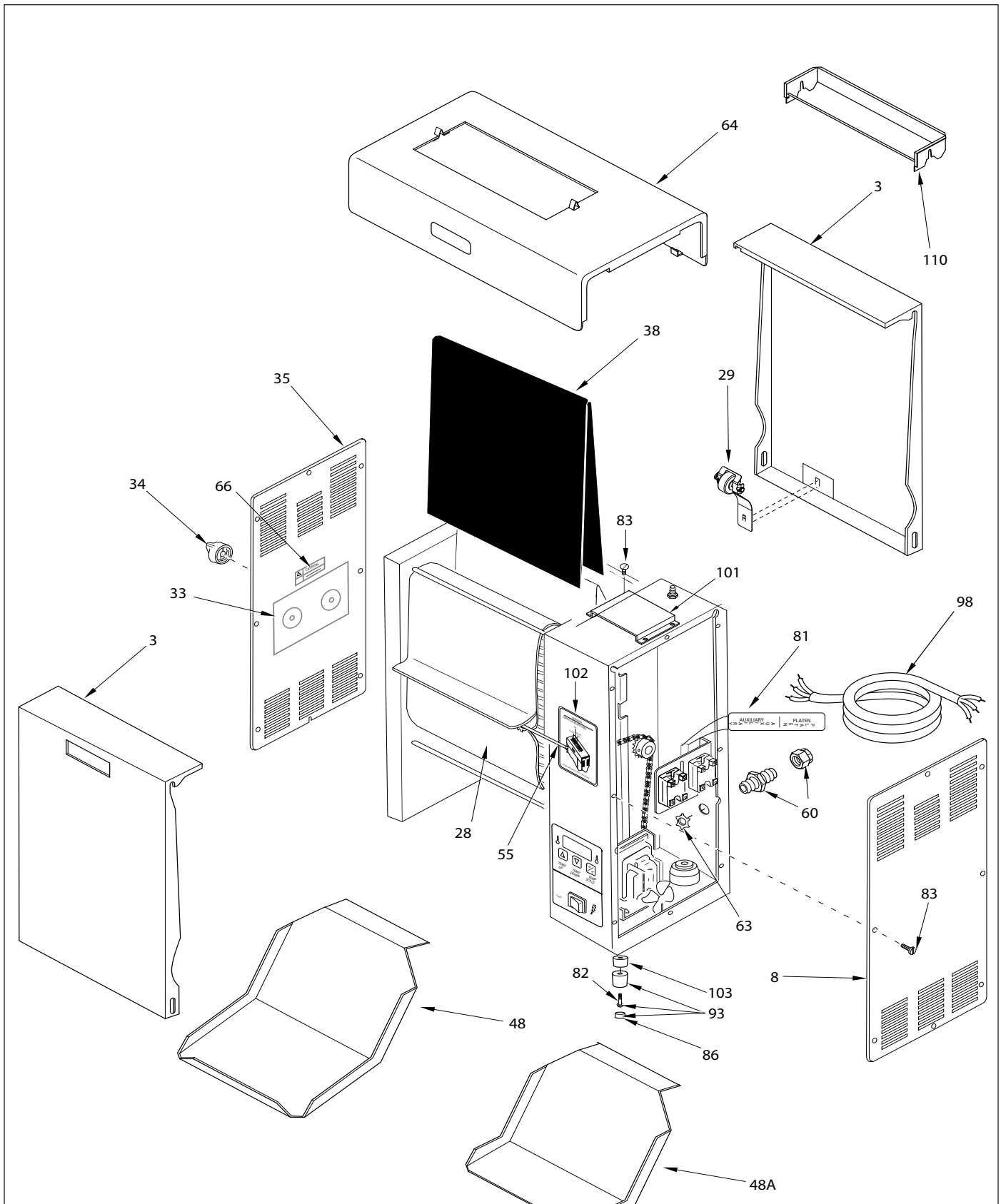
## REPLACEMENT PARTS

### Parts Identification



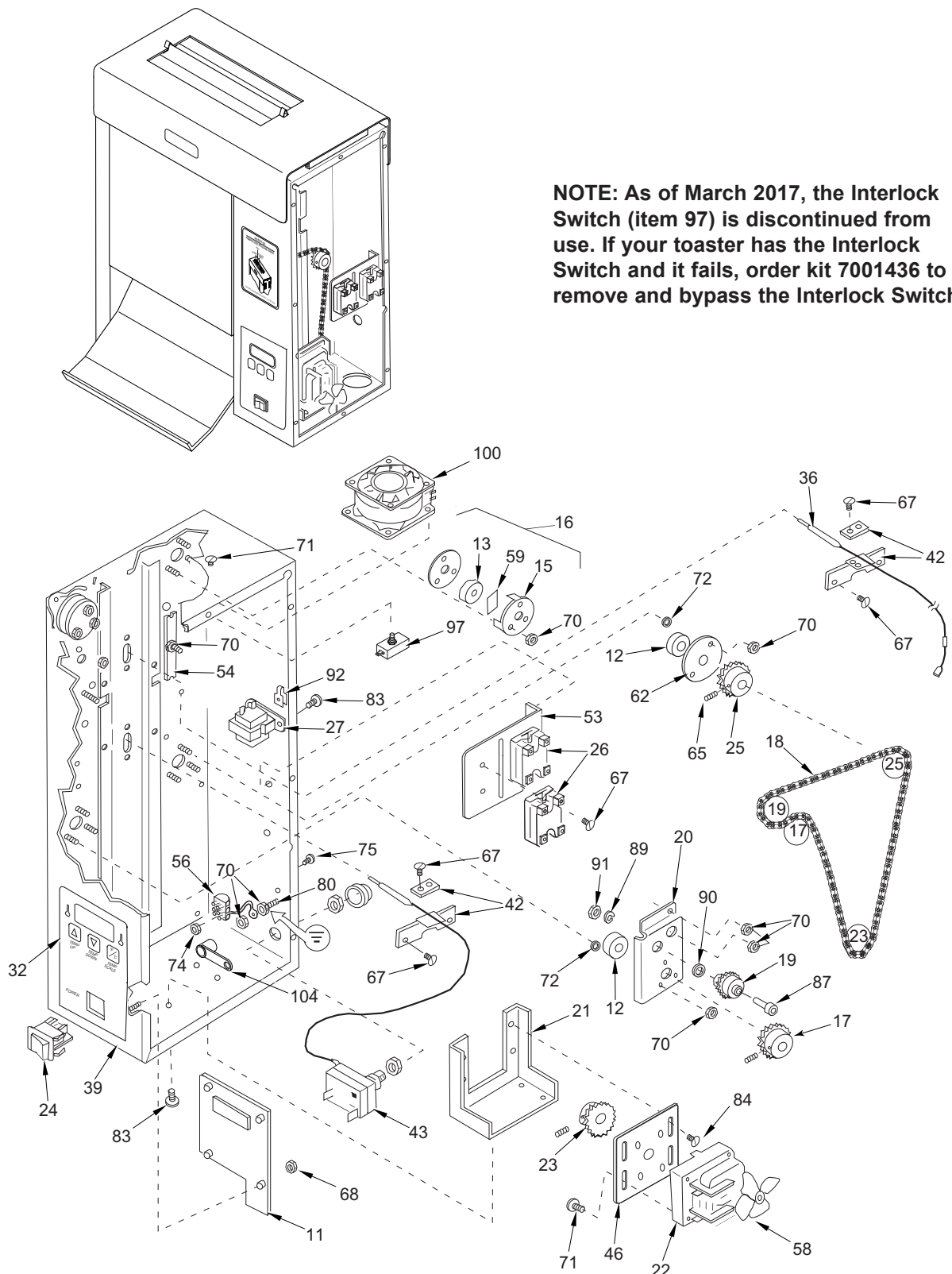
# VERTICAL CONTACT TOASTER

## REPLACEMENT PARTS (continued)



# VERTICAL CONTACT TOASTER

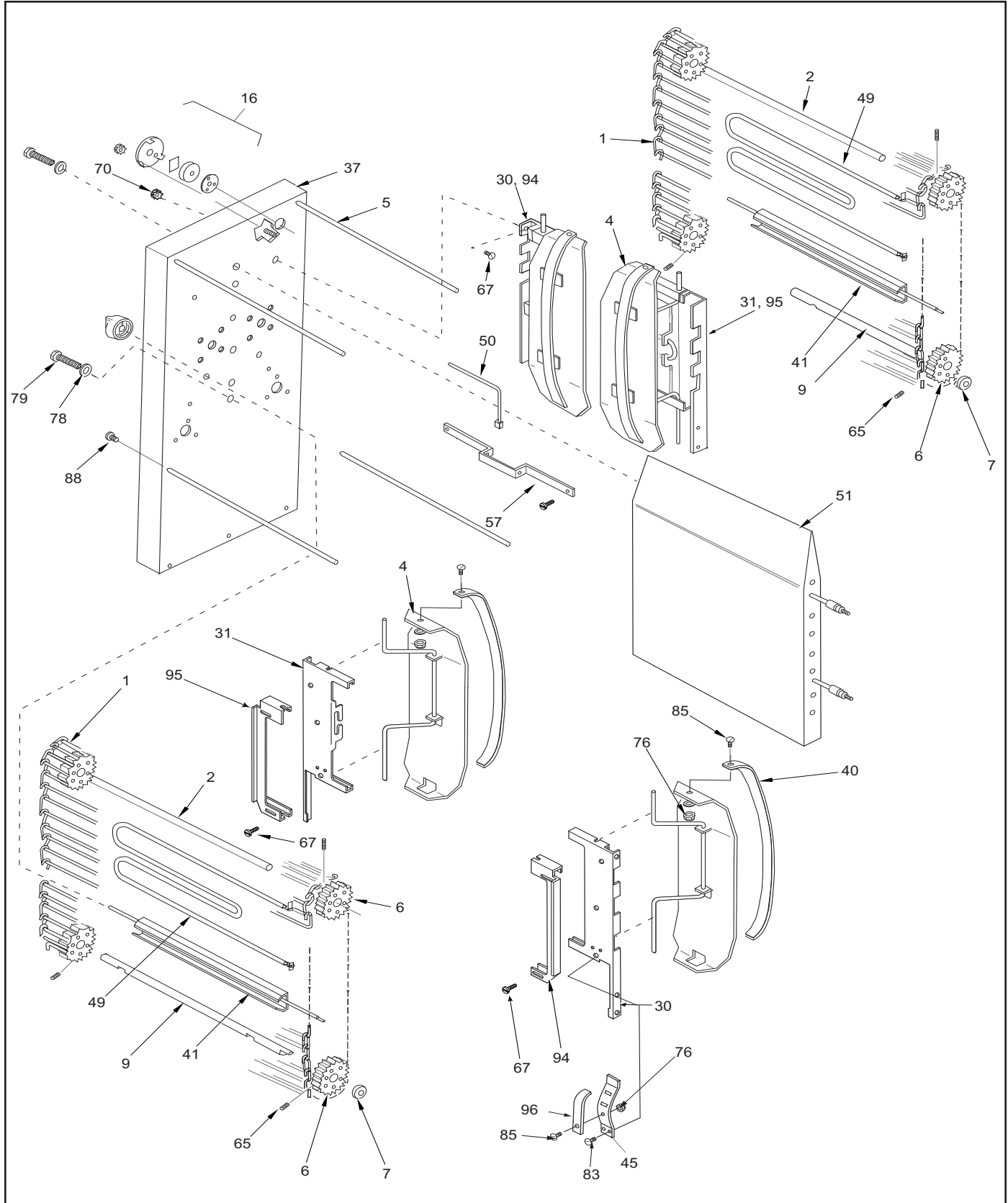
## REPLACEMENT PARTS (continued)



**NOTE:** As of March 2017, the Interlock Switch (item 97) is discontinued from use. If your toaster has the Interlock Switch and it fails, order kit 7001436 to remove and bypass the Interlock Switch.

# VERTICAL CONTACT TOASTER

## REPLACEMENT PARTS (continued)



# VERTICAL CONTACT TOASTER

## REPLACEMENT PARTS (continued)

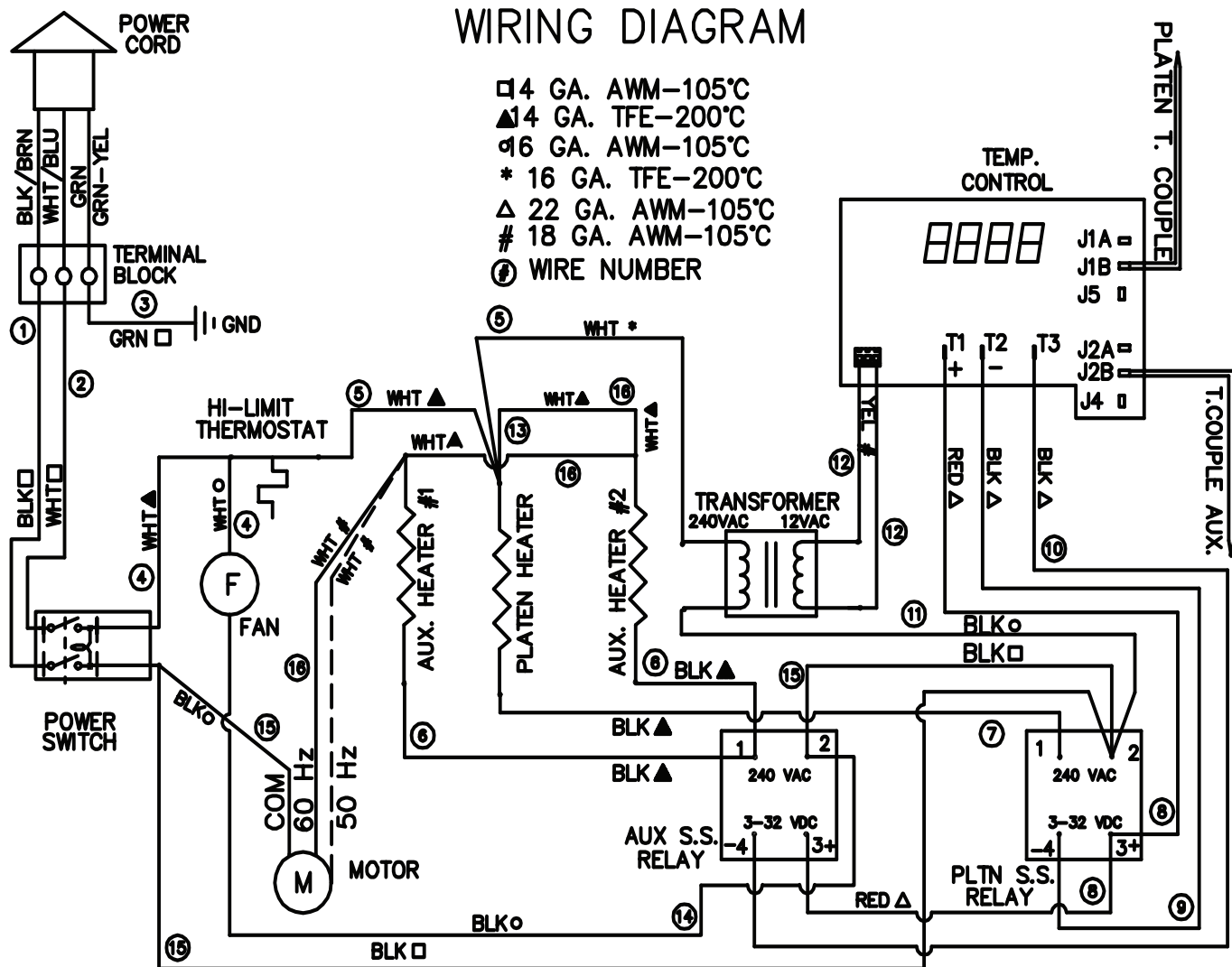
Item	Part No.	Description	Qty.
1	0011266	Conveyor Belt (Incl. items below)	2
	0800204	1/2" Pitch Link, Small	2
	0800121	3/4" Pitch Link, Large	38
2	2150117	Idler Shaft	2
3	0011491	Conveyor Cover Assy. (Incl. #29, 52, 61, and 76)	2
4	0010475	Tensioner Assy. (Incl. #40, 76, 85)	4
5	0800332	Rod, Conveyor Cover	4
6	7000207	Sprocket w/setscrew	8
7	7000199	Spacer Kit	1
8	0011444	Control Housing Cover Assy.	1
9	2150118	Drive Shaft	2
11	7000287	Control Board	1
12	7000296	Ball Bearing (Pack of 2)	1
16	7000167	Bearing & Retainer Kit	6
16A	7000224	Bearing & Retainer Kit Includes #6	1
17	2150193	Drive Sprocket, Front	1
18	2150187	Drive Chain	1
19	0011299	Idler Sprocket & Bearing	1
20	0011300	Bracket, Idler Sprocket Assy. (Incl. #91, 89, 90, 19, 87)	1
21	0503589	Bracket, Motor Mounting	1
22	7000240	Drive Motor Kit, Dual Frequency 50/60 Hz (Incl. #58)	1
23	2150132	Sprocket 25B14 5/16" Bore (See Item 111)	1
24	7000882	Rocker Switch Kit	1
25	2150181	Sprocket 25B20 1/2" Bore (See Item 111)	1
26	405K125	Relay, Solid State	2
27	4010187	Transformer	1
28	7000964	Conveyor Belt Wrap (Clip Style) (Pack of 2) Mfg. No. 9210104 Only	1
	7000416	Conveyor Belt Wrap (Pack of 2)	1
29	0013373	Roller Tensioner Assy.	2
30	0503496	Tensioner Bracket, Right	2
31	0503497	Tensioner Bracket, Left	2
32	1001006	Label, Control	1
33	1001069	Label, Dial Compression	1
34	2100253	Knob, Control	2
35	0011445	End Housing Cover Assy.	1
36	4050214	Thermocouple Assy.	1
37	0021170	Weldment, End Housing	1
38	7000249	Release Sheet (Pack of 3)	-
	7000250	Release Sheet (Pack of 10)	-
39	0021169	Control Housing	1
40	7000121	Slide Rail Kit (Incl. Two Slide Rails for Tensioners)	2
41	0021207	Conveyor Cam	2
42	7000176	Thermocouple Retainer Kit	2
43	4030332	High Limit Control	1
45	0503455	Tension Spring, Inner	4
46	0503590	Bracket, Motor	1
47	0700580	Wire Set (not shown)	1
48	0503385	Bun Chute	1
48A	0503895	Bun Chute (#9210204)	1
49	4030348	Auxiliary Heater, 675W/230V	2
	4030349	Auxiliary Heater, 675W/208V	2
50	7000165	Auxiliary Thermocouple Kit	1
51	7000288	Platen (208V)	1
	7000289	Plated (230V)	1
52	2100252	Tap	2

Item	Part No.	Description	Qty.
53	0503359	Bracket, Relay	1
54	0503150	Heater Clip	2
55	303P127*	Hinge Pin, Belt Wrap	2
56	4060355	Terminal Block	1
57	0503533	Bracket, Auxiliary Thermocouple	1
58	4000170	Fan Blade, Motor	1
60	040K251	Strain Relief, Domestic (Incl. #63)	1
	0400315	Strain Relief, International	1
61	052199*	Spacer	2
62	0500464	Retainer, Bearing	1
63	040P138*	Locknut, 1/2"	1
64	0011528	Heat Shield Assy.	1
65	325P163*	Setscrew, 1/4-28 x 5/16"	8
66	100P864*	Label, Caution Hot	1
67	308P183*	Screw, Hex, #8-32 x 3/8"	2
68	304P105*	Nut, #4-40, "KEPS"	4
69	406P107*	Cable Tie	1
70	308P143*	Nut, #8-32, "KEPS"	6
71	310P103*	Screw, Hex, #10-32 x 1/4"	4
72	310P157*	Washer, #10	6
73	308P101*	Nut, #8-32	3
74	306P101*	Nut, Hex, #6-32	2
75	306P123*	Screw, #6-32 x 7/8"	2
76	308P145*	Nut, Hex Acorn, #8-32	12
77	100P900*	Label, Service	1
78	325P104*	Washer, 1/4"	4
79	325P109*	Screw, 1/4-20 x 1/2"	4
80	308P124*	Screw, 1-Way, #8-32 x 1/2"	1
81	10P1022*	Label, Heaters	1
82	310P180*	Screw, #10-32 x 1-3/4"	4
83	308P133*	Screw, #8-32 x 1/4"	1
84	308P157*	Screw, Tap, #8-32 x 3/8"	20
85	308P181*	Screw, Flat Hd., #8-32 x 3/8"	4
86	218P145*	Cover, Leg, Bumper	4
87	331P103*	Shoulder Bolt, 5/16-18 x 1"	1
88	306P105*	Screw, #6-32 x 1/2"	8
89	331P106*	Lockwasher, 5/16"	1
90	212P118*	Flat Washer, 5/16"	1
91	331P101*	Nut, Hex, 5/16 x 18"	1
92	300P102*	Nut, Tinnerman	2
93	210K230	Bumper, Recess Leg, 1" (Qty. of 4)	1
94	0503495	Retainer, Tensioner Bracket, RH	1
95	0503507	Retainer, Tensioner Bracket, LH	1
96	2100259	Slide Bar	4
97	4010107	Interlock Switch (some models)	1
98	0700479	Power Cord T/Lock L6-30P (Domestic)	1
	0700437	Power Cord, IEC-309 (International)	1
99	306P104*	Screw, #6-32 x 1/4"	6
100	4000138	Fan	1
101	0503115	Duct, Fan	1
102	1001056	Label, Crown & Heel	1
103	2120147	Leg Spacers	4
104	4060374	Ground Lug	1
105	2140152	Lubricant (not shown)	1
110	7000292	Bun Feeder Kit	1
111	7000883	Drive Motor Sprocket Kit (Not shown)	1

\* Sold only as packages of 10.

# VERTICAL CONTACT TOASTER

## WIRING DIAGRAM



\*\*MOTOR CONNECTIONS: 50hz requires male to male adapter (not included).



# VERTICAL CONTACT TOASTER

## ADDENDUM - INSTALLING CLIP STYLE BELT WRAPS

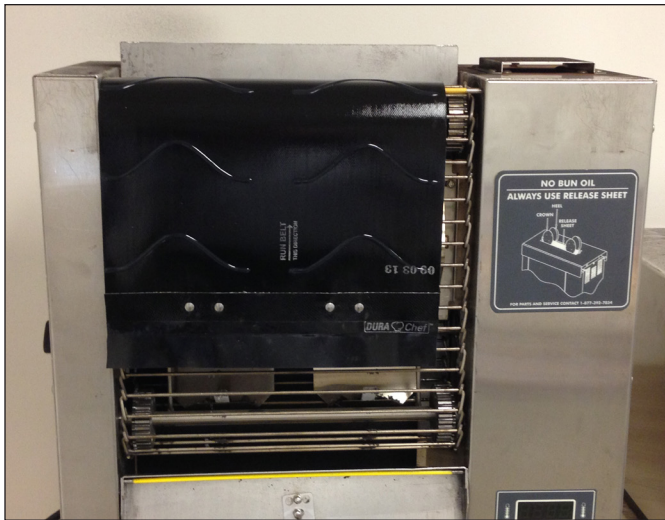
### General

This addendum describes how to install the new clip style belt wraps (P/N 7000964) on the VCT-2000 toaster.

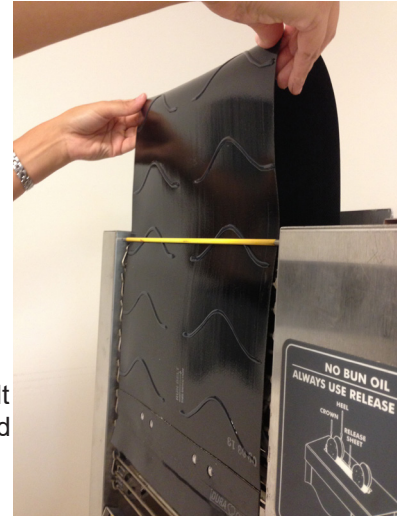
If you experience any problems with these instructions, contact the factory Technical Service Department at 630-784-1000 or toll free in the U.S. at 877-392-7854.

### Installation

1. With power off and toaster cool, set crown and heel compression knobs to 6 & F. Remove top cover and both conveyor covers. Remove current belts by either removing lacing pin or using scissors or razor knife, carefully cut the belt free of the wire, drive belt. NOTE: Check conveyer chains for proper tension and remove a link if necessary (see owners manual for instructions).



2. Before installing new conveyor belt wraps, wipe conveyer chain links with sanitized towel (see owners manual for instructions). Pick belt up from the center and feed flap end beneath yellow bar and lower belt until the other end of the belt is on the bottom of the toaster. Ensure the "Run Belt This Direction" arrow follows the same directional path as the wire belt. Feed belt from the bottom through bottom yellow bar until both ends are approximately in the middle of the toaster.



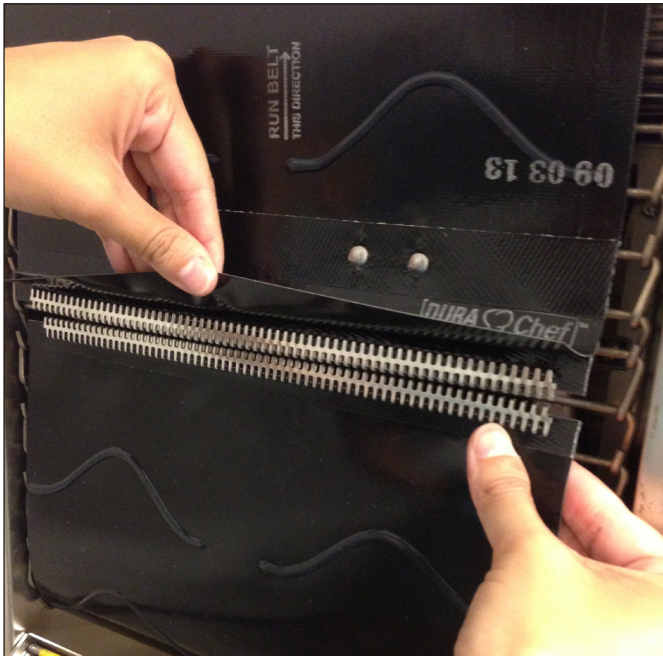
3. Starting at a conveyor link in approximately the middle of the conveyor chain, attach the top hook of each clip to a conveyor link and gently push the belt downward to attach the bottom of the clip to the link directly below the top hook. NOTE: There are 2 different size conveyor links, ensure the clips are attached to the larger 3/4" links, do not attached to small 1/2" links.



# VERTICAL CONTACT TOASTER

## ADDENDUM - INSTALLING CLIP STYLE BELT WRAPS

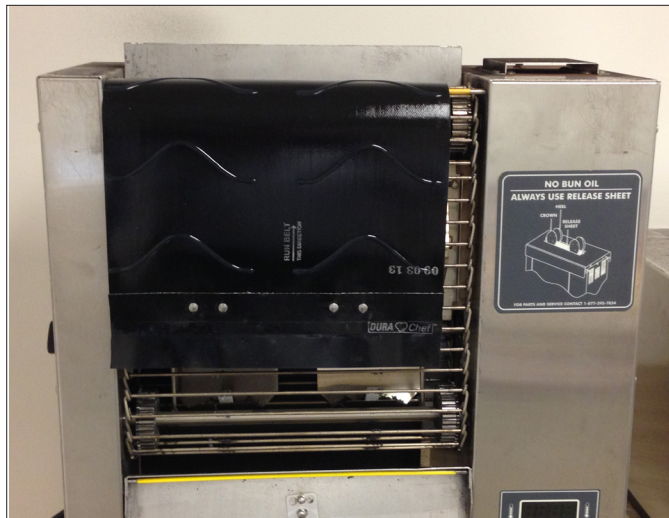
4. Verify both clips on the belt wraps are secured to the links on the conveyor chains. Then position both ends of the new belt together and line up so the lacing is even. Insert the pin to join both sides of the belt together.
5. Verify belt alignment is even from side to side of each belt. Reinstall both conveyor covers and top cover. NOTE: Ensure roller tensioners are adjusted per manufacture specifications. (See owners manual.)



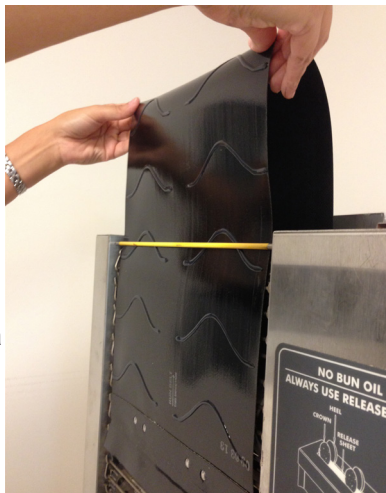
# VERTICAL CONTACT TOASTER

## ADDENDUM - INSTALLING CLIP STYLE BELT WRAPS

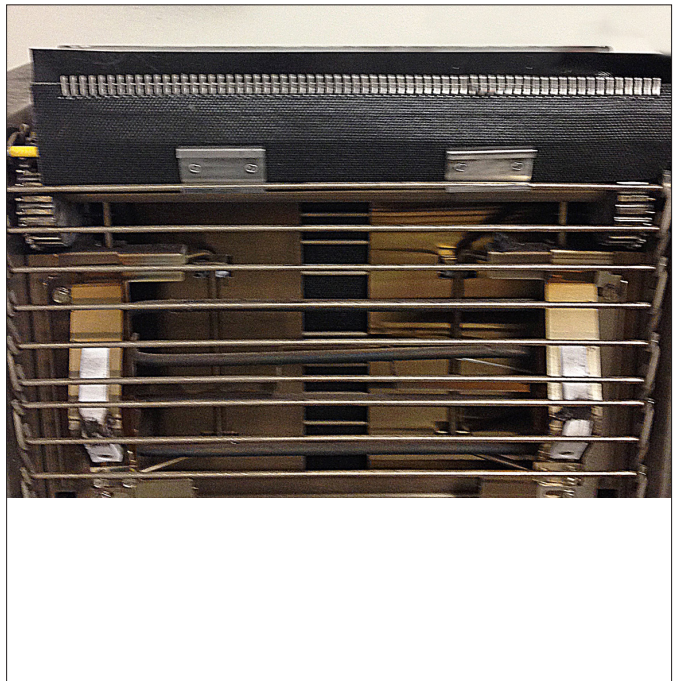
1. Apague el tostador completamente y déjelo enfriar. Coloque las perillas de tensión en el número 6 y F. Retire la cubierta superior y saque las bandas ya sea retirando el perno que une los dos extremos, o cortando la banda con un par de Tijeras o una navaja. Cuidadosamente proceda a desconectar la banda del cinturón de alambre. OBSERVACION: inspeccione la tensión de la cadena de arrastre, si es necesario quite uno de los eslabones de enlace (consulte las instrucciones en el manual de operación).



2. Antes de instalar la nueva banda, limpie la cadena de arrastre con una toalla y desinfectante (consulte el manual de operación). Sostenga la nueva banda con ambas manos como se muestra en la figura y deslice la parte trasera de la banda hacia la parte inferior del tostador asegurándose que la solapa en el extremo de enfrente de la banda pase por debajo de la barra amarilla. Jale el extremo que cayó en la parte trasera del tostador hacia el frente pasándolo por encima de la barra amarilla. Alinee los dos extremos de la banda aproximadamente en la parte media del tostador. Verifique que la flecha que indica la dirección de giro de la banda sea la misma del cinturón de alambre en donde se colocara la banda.

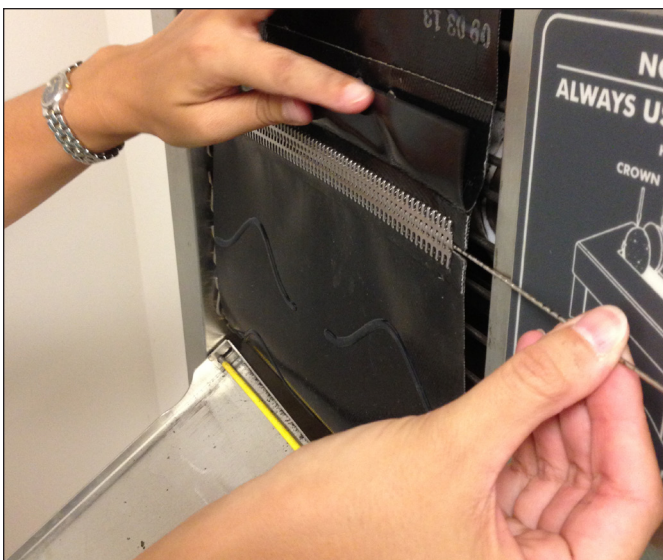
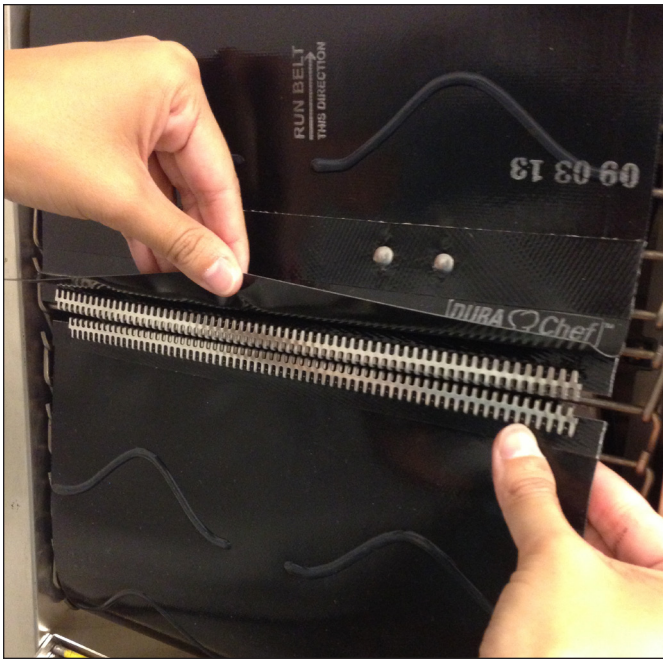


3. Para instalar la banda, conecte el gancho superior en cada pinza a uno de los enlaces de unión de la cadena, aproximadamente en la parte de en medio. Empuje suavemente la banda hacia abajo para conectar la parte inferior de la pinza al enlace de unión localizado debajo del gancho superior.



## ADDENDUM - INSTALLING CLIP STYLE BELT WRAPS

4. Asegúrese que los dos ganchos en la banda estén bien conectados al cinturón de alambre. Junte los dos extremos de la banda alineando la grapa que unirá los dos extremos. Una vez alineados los extremos, introduzca el perno como se indica en la figura. **OBSERVACION:** conecte los ganchos de la banda a los enlaces de unión más anchos de  $\frac{3}{4}$ " y no los más pequeños de  $\frac{1}{2}$ ".
5. Verifique la alineación y posición de la banda asegurándose que este bien centrada. Instale las cubiertas en su respectivo lugar. **OBSERVACION:** Asegúrese que los rodillos tensores han sido ajustados de acuerdo a las indicaciones del fabricante del tostador (consulte el manual de operación).



## LIMITED WARRANTY

Equipment manufactured by A.J. Antunes & Co. (Antunes) has been constructed of the finest materials available and manufactured to high quality standards. These units are warranted to be free from electrical and mechanical defects for a period of one (2) years from date of purchase under normal use and service, and when installed in accordance with manufacturer's recommendations. To insure continued operation of the units, follow the maintenance procedures outlined in the Owner's Manual. During the first 12 months, electro-mechanical parts, non-overtime labor, and travel expenses up to 2 hours (100 miles/160 km), round trip from the nearest Authorized Service Center are covered.

1. This warranty does not cover cost of installation, defects caused by improper storage or handling prior to placing of the Equipment. This warranty does not cover overtime charges or work done by unauthorized service agencies or personnel. This warranty does not cover normal maintenance, calibration, or regular adjustments as specified in operating and maintenance instructions of this manual, and/or labor involved in moving adjacent objects to gain access to the equipment. This warranty does not cover consumable/wear items. This warranty does not cover damage to the Load Cell or Load Cell Assembly due to abuse, misuse, dropping of unit/shock loads or exceeding maximum weight capacity (4 lbs). This warranty does not cover water contamination problems such as foreign material in water lines or inside solenoid valves. It does not cover water pressure problems or failures resulting from improper/incorrect voltage supply. This warranty does not cover Travel Time & Mileage in excess of 2 hours (100 miles/160 km) round trip from the nearest authorized service agency.
2. Antunes reserves the right to make changes in design or add any improvements on any product. The right is always reserved to modify equipment because of factors beyond our control and government regulations. Changes to update equipment do not constitute a warranty charge.
3. If shipment is damaged in transit, the purchaser should make a claim directly upon the carrier. Careful inspection should be made of the shipment as soon as it arrives and visible damage should be noted upon the carrier's receipt. Damage should be reported to the carrier. This damage is not covered under this warranty.
4. Warranty charges do not include freight or foreign, excise, municipal or other sales or use taxes. All such freight and taxes are the responsibility of the purchaser.
5. THIS WARRANTY IS EXCLUSIVE AND IS IN LIEU OF ALL OTHER WARRANTIES, EXPRESSED OR IMPLIED, INCLUDING ANY IMPLIED WARRANTY OF MERCHANTABILITY OR FITNESS FOR A PARTICULAR PURPOSE, EACH OF WHICH IS HEREBY EXPRESSLY DISCLAIMED. THE REMEDIES DESCRIBED ABOVE ARE EXCLUSIVE AND IN NO EVENT SHALL ANTUNES BE LIABLE FOR SPECIAL CONSEQUENTIAL OR INCIDENTAL DAMAGES FOR THE BREACH OR DELAY IN PERFORMANCE OF THIS WARRANTY.



<b>Corporate Headquarters</b>	<b>China Facility</b>
Carol Stream, Illinois	Suzhou, China
Phone: +1 (630) 784-1000	Phone: +86-512-6841-3637
Toll Free: +1 (800) 253-2991	Fax: +86-512-6841-3907
Fax: +1 (630) 784-1650	