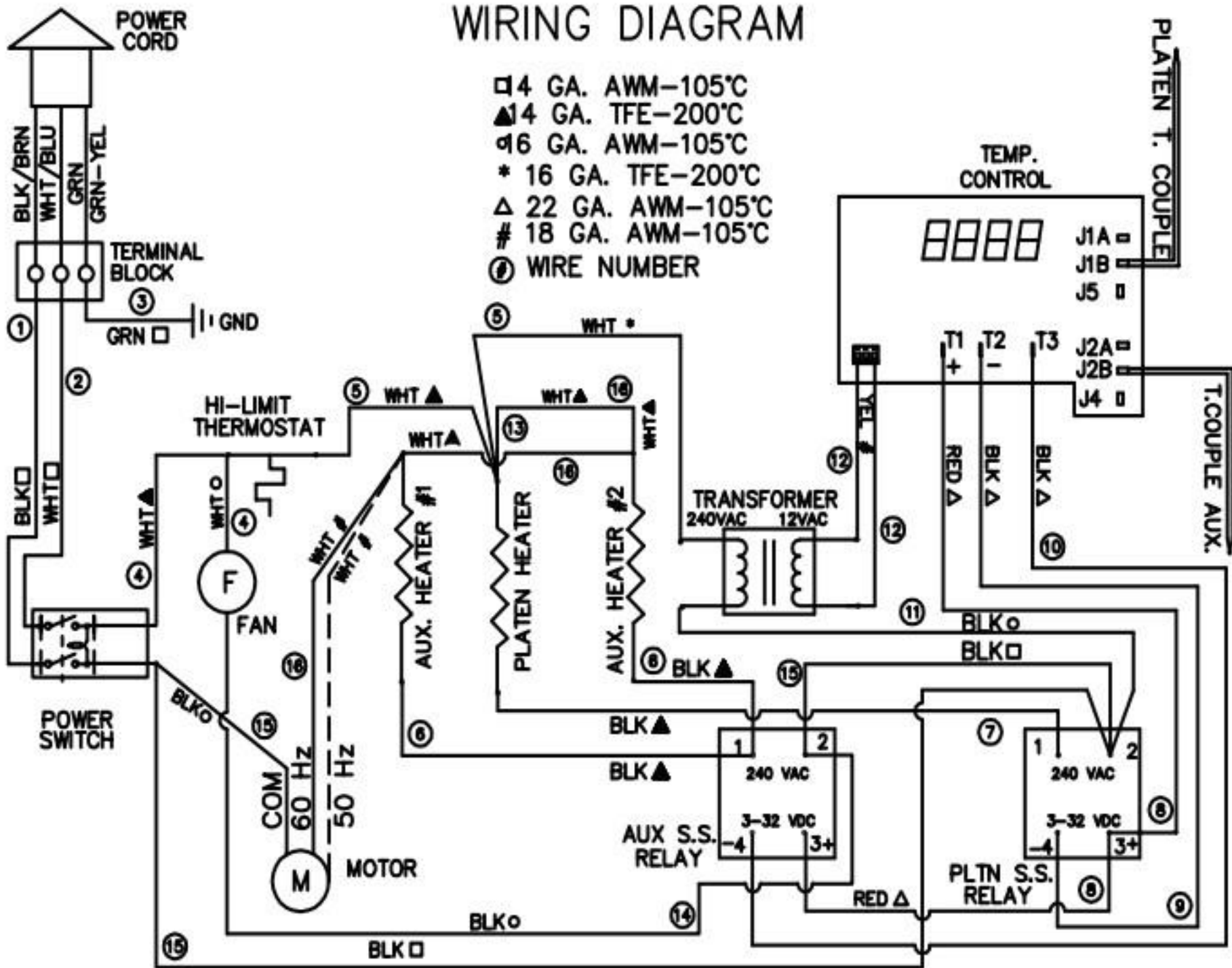


WIRING DIAGRAM



**MOTOR CONNECTIONS: 50hz requires male to male adapter (not included).