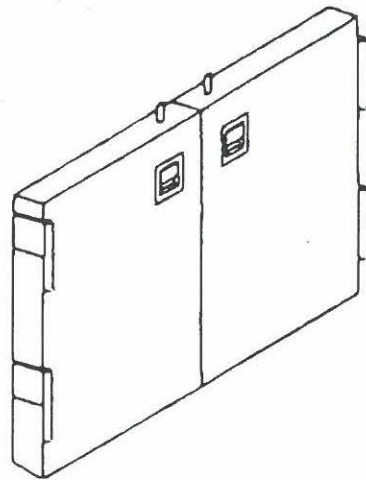
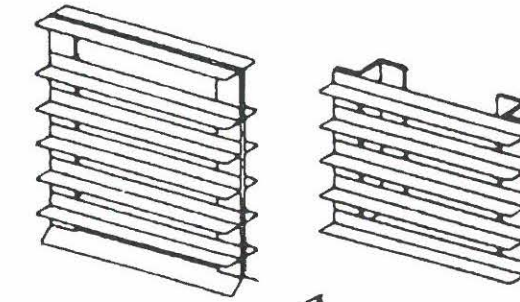


LOW TEMP INDUSTRIES
HEATED BASE
STANDARD ELECTRICAL 208V/440W/1PH



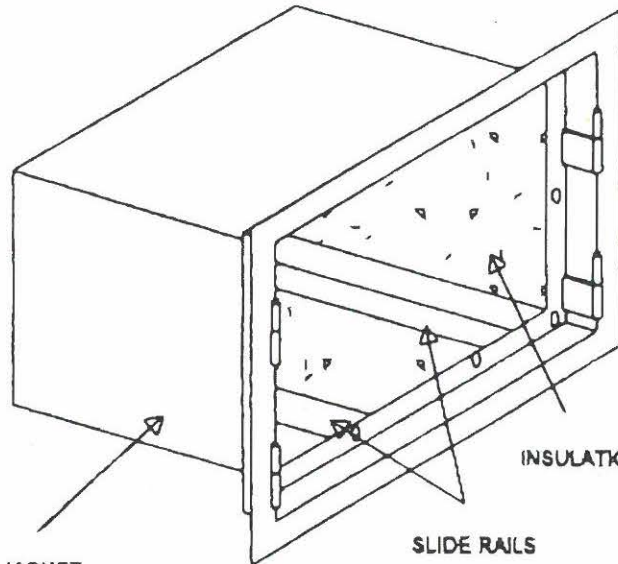
INSULATED HINGED DOORS
WITH PADDLE LATCH AND
LIFT-OFF HINGES



CENTER MOUNT

SIDE MOUNT

RACK SLIDES ON 2-1/2" CENTERS
TWO (2) SIDE MOUNT WITH KEY
HOLE SLOTS AND ONE (1) CENTER
SLIDE IN MOUNT.

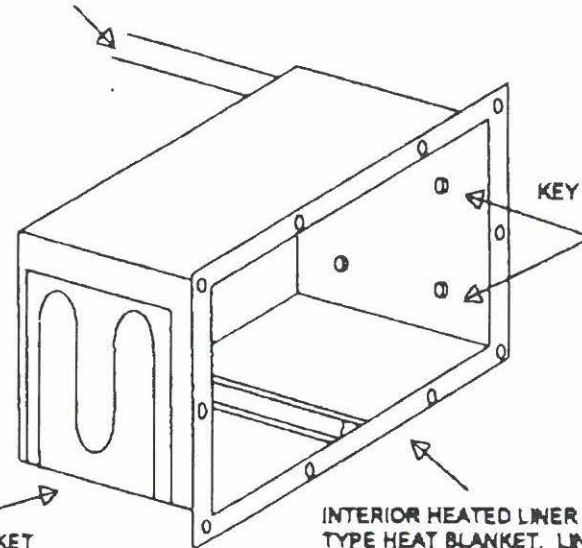


INSULATED JACKET
MOUNTED TO BASE

INSULATION

SLIDE RAILS

WIRE LEADS



KEY HOLE STUDS

HEAT BLANKET

INTERIOR HEATED LINER WITH FOIL
TYPE HEAT BLANKET. LINER IS MOUNTED
INTO THE INSULATED JACKET AND SECURED
WITH SCREWS AROUND PERIMETER FLANGE.

Received 01:32pm

Received