

LAMP ASSEMBLY
W/250W LAMP
(LP-3016)

HEATING ELEMENT
125V,500W (CB-3524)

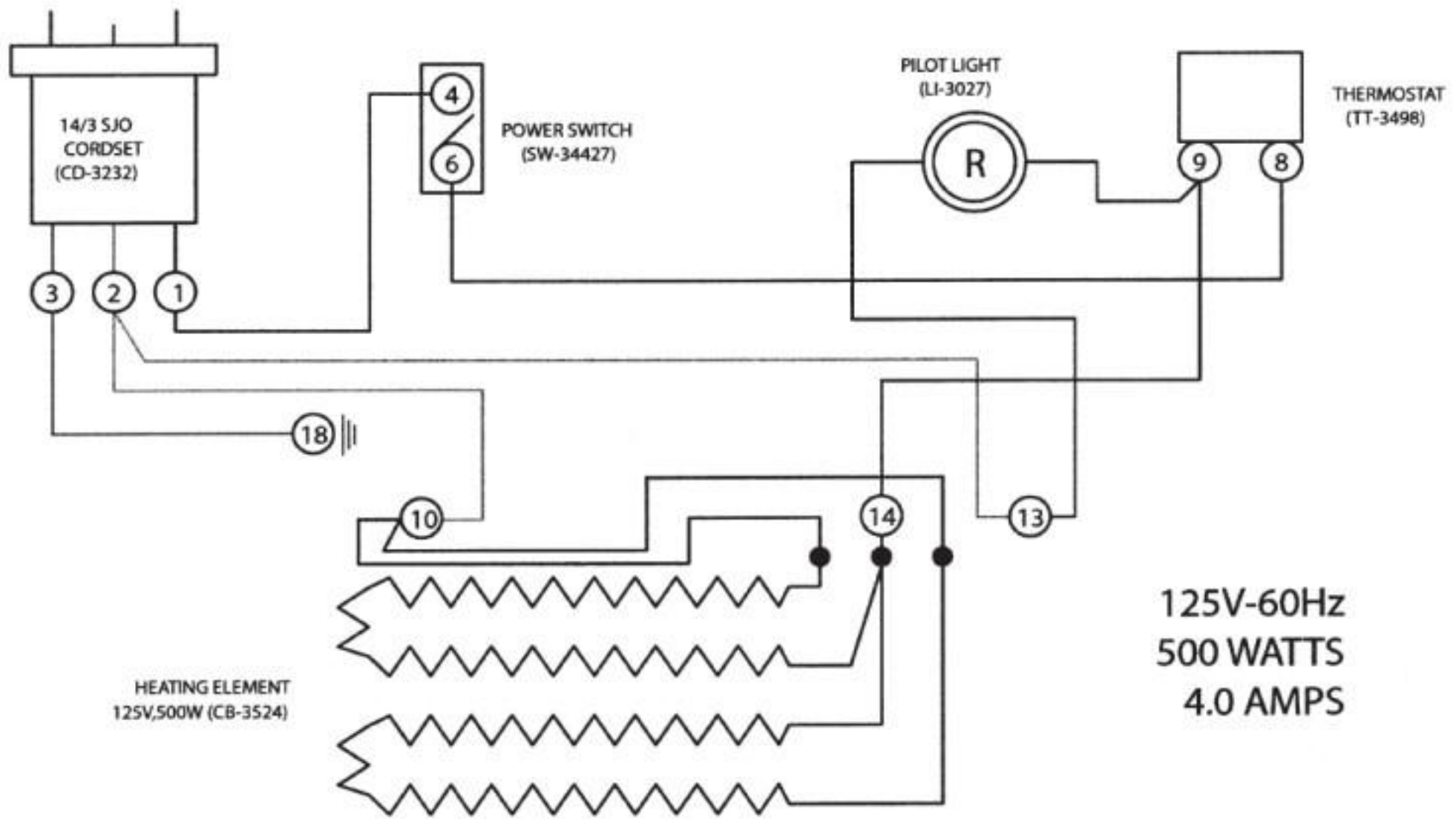
LAMP ASSEMBLY
W/250W LAMP
(LP-3016)

125V-60Hz
1000 WATTS
8.0 AMPS

NOTE #1: ALL NUMBERS IN () = ALTO-SHAAM PART NUMBERS

NOTE #2: SEE DRW. #B-8493 FOR WIRE ASSEMBLIES

| REVISIONS | | | 100-HSL/BCS-2(CTB,S-40) 125V | | | | |
|-----------|----------|-----|--|-----|-------|---------|---------------|
| NO. | DATE | BY | | | | | |
| 2 | 04/11/86 | LLK | <p style="text-align: center;">WIRING DIAGRAM</p> <p style="text-align: center;">ALTO-SHAAM INC. MENOMONEE FALLS, WISCONSIN</p> | | | | |
| 3 | 11/25/97 | RS | | | | | |
| 4 | 7/18/02 | DDF | | | | | |
| 5 | 7/18/02 | CJB | | | | | |
| 6 | 3/22/07 | BES | | | | | |
| | | | | | | | |
| | | | DRAWN BY | DAR | SCALE | 1"=1" | DWG. NO. |
| | | | APP'D | PED | DATE | 2/26/85 | A-7242 |

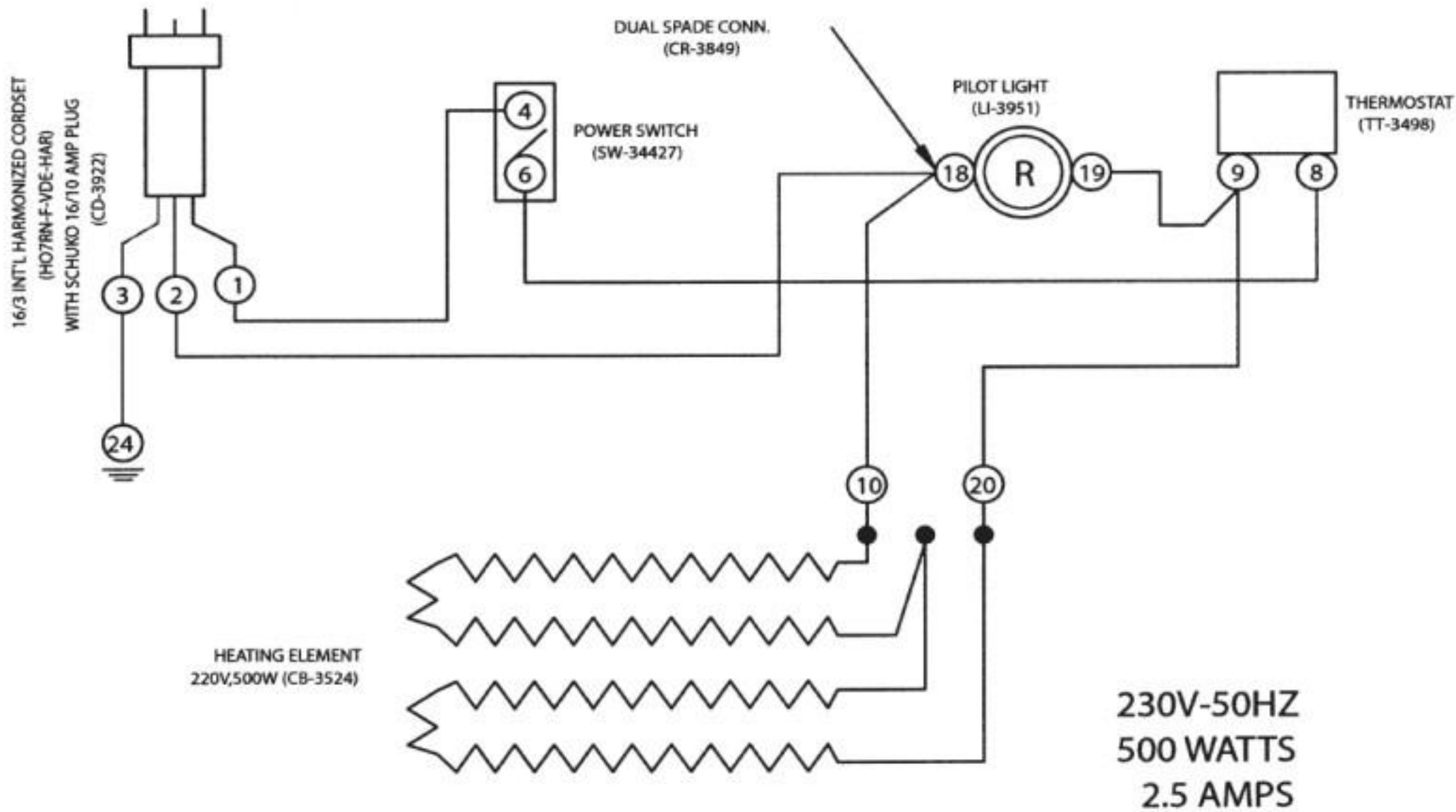


NOTE #1: ALL NUMBERS IN () = ALTO-SHAAM PART NUMBERS

NOTE #2: SEE DRW. #B-8215 FOR WIRE ASSEMBLIES

WIRING DIAGRAM

| | | |
|---------|----------|--|
| 1 | NO. | MODELS: 100-HSL/BCS-2 125v w/o LAMPS |
| 3/22/07 | REVISION | ALTO-SHAAM. MENOMONEE FALLS, WISC. 53052-450 |
| RES | BY | BY: AHL SCALE: 1"=1" DWG: A-7702 |
| | APPD: | PED DATE: 06/01/04 |



NOTE #1: ALL NUMBERS IN () = ALTO-SHAAM PART NUMBERS

NOTE #2: SEE DRW. #B-8216 FOR WIRE ASSEMBLIES

| REVISIONS | | | 100-HSL/BCS-2 (w/o LAMPS) 230V | | |
|-----------|---------|-----|--|----------|---------------|
| NO. | DATE | BY | | | |
| 1 | 3/22/07 | BES | WIRING DIAGRAM ALTO-SHAAM INC. <small>MERIDIANVILLE FALLS, WISCONSIN</small> | | |
| 2 | | | | | |
| 3 | | | | | |
| 4 | | | | | |
| 5 | | | | | |
| DRAWN BY | | AHL | SCALE | 1"=1" | DWG. NO. |
| APP'D | | PED | DATE | 06/01/04 | A-7703 |