

# Hot Food Holding Cabinets

**1000-BQ2/96**  
**1000-BQ2/128**  
**1000-BQ2/192**



# Manufacturer's Information

**Copyright** © Copyright 09/23 by Alto-Shaam, Inc.  
 All rights reserved.  
 This manual or any portion thereof may not be reproduced or used in any manner whatsoever without the express written permission of Alto-Shaam, Inc

**Trademarks** All trademarks referenced in this documentation are the property of their respective owners.

**Manufacturer** Alto-Shaam, Inc.  
 P.O. Box 450  
 W164 N9221 Water Street  
 Menomonee Falls, WI 53052

**Models Covered**

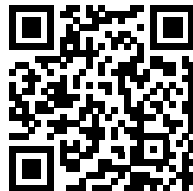
<b>1000-BQ2/96</b> <b>1000-BQ2/128</b> <b>1000-BQ2/192</b>	Heated Holding Cabinets
--	-------------------------

**Serial Number**

The unit serial number is required for identifying and ordering the correct service parts.  
 Record the unit serial number below for reference.

Serial Number
[Empty input field for serial number]

**Parts Finder Tool** Interactive diagrams from this Parts Manual are available online at our Parts Finder Tool:  
<https://www.alto-shaam.com/en/customer-support/parts>.  
 Or, scan the QR code below.



**Parts Ordering Information** Original manufacturer's replacement parts may be ordered directly from the Alto-Shaam network of Authorized Service Agents and Parts Distributors. Follow this link for a map to a local partner: <https://www.alto-shaam.com/en/how-to-buy>. If you are an Authorized Service Agent or Parts Distributor, please submit your purchase order to [parts@alto-shaam.com](mailto:parts@alto-shaam.com).

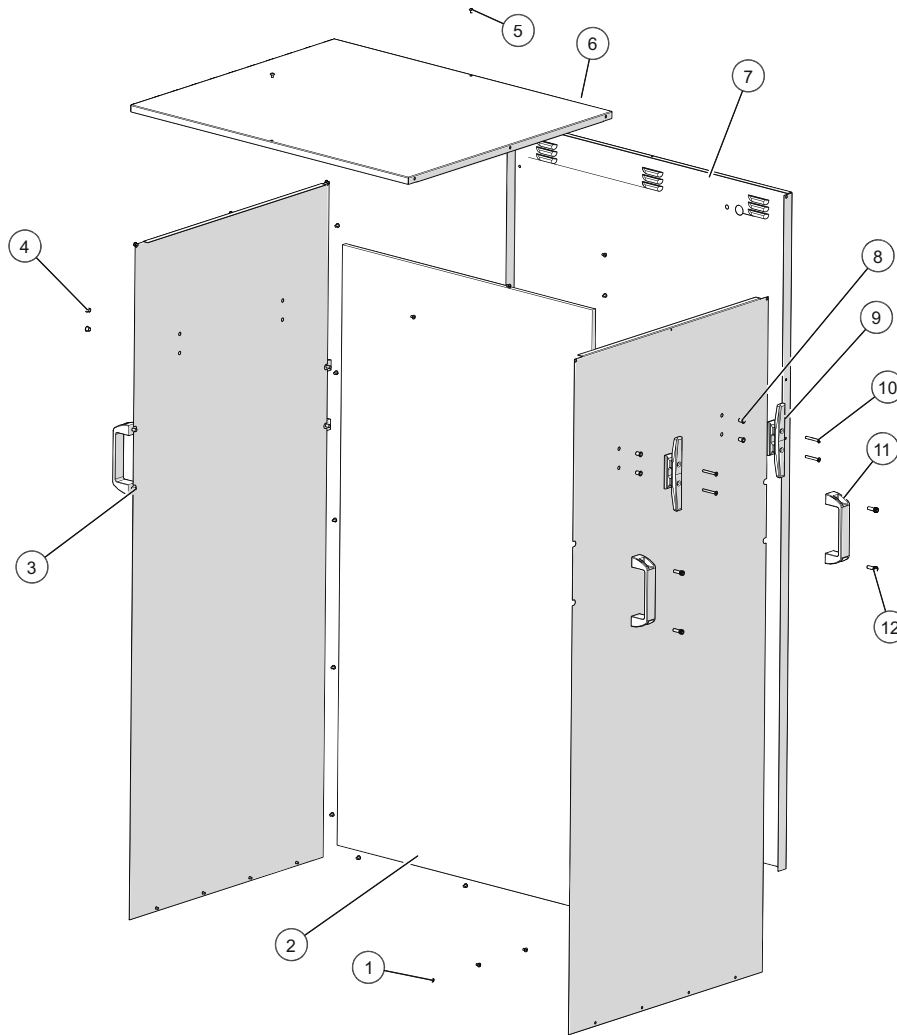
Non-OEM parts may be substituted; however, these parts must be of equal quality and specifications as those provided by Alto-Shaam.

# Table of Contents

- Manufacturer's Information.....2
- Table of Contents .....3
- Exterior Package, 1000-BQ2/96 .....4
- Exterior Package, 1000-BQ2/128 .....5
- Exterior Package, 1000-BQ2/192 .....6
- Cavity Package A, 1000-BQ2/96 (120V) .....7
- Cavity Package B, 1000-BQ2/96 (208/240V, 230V).....8
- Cavity Package C, 1000-BQ2/96 (208/240V, 230V w/hitch).....9
- Cavity Package D, 1000-BQ2/96 (125V w/hitch)..... 10
- Cavity Package A, 1000-BQ2/128 (120V, 208/240V, 230V)..... 11
- Cavity Package D, 1000-BQ2/128 (120V, 208/240V, 230V w/hitch)..... 12
- Cavity Package A, 1000-BQ2/192 (120V) ..... 13
- Cavity Package B, 1000-BQ2/192 (120V, 208/240V, 230V)..... 14
- Cavity Package C, 1000-BQ2/192 (120V, 208/240V, 230V w/hitch)..... 15
- Cavity Package D, 1000-BQ2/192 (125V w/hitch)..... 16
- Tube Cable Assembly, BQ2-96 and BQ2-192 (120V)..... 17
- Tube Cable Assembly, BQ2-96 and BQ2-192 (208/240V)..... 18
- Tube Cable Assembly, BQ2-128 (120V) ..... 19
- Door Package A, 1000-BQ2/96..... 20
- Door Package B, 1000-BQ2/96..... 21
- Door Package C, 1000-BQ2/96..... 22
- Door Package A, 1000-BQ2/128..... 23
- Door Package B, 1000-BQ2/128..... 24
- Door Package C, 1000-BQ2/128..... 25
- Door Package A, 1000-BQ2/192..... 26
- Door Package B, 1000-BQ2/192..... 27
- Door Package B (split), 1000-BQ2/192..... 28
- Security Hardware Package ..... 29
- Electrical Package A, 1000-BQ2/96 (120V)..... 30
- Electrical Package B, 1000-BQ2/96 (208/240V) ..... 31
- Electrical Package C, 1000-BQ2/96 (230V)..... 32
- Electrical Package A, 1000-BQ2/128 (120V)..... 33
- Electrical Package B, 1000-BQ2/128 (208/240V) ..... 34
- Electrical Package C, 1000-BQ2/128 (230V)..... 35
- Electrical Package A, 1000-BQ2/192 (120V)..... 36
- Electrical Package B, 1000-BQ2/192 (208/240V) ..... 37
- Electrical Package C, 1000-BQ2/192 (230V)..... 38

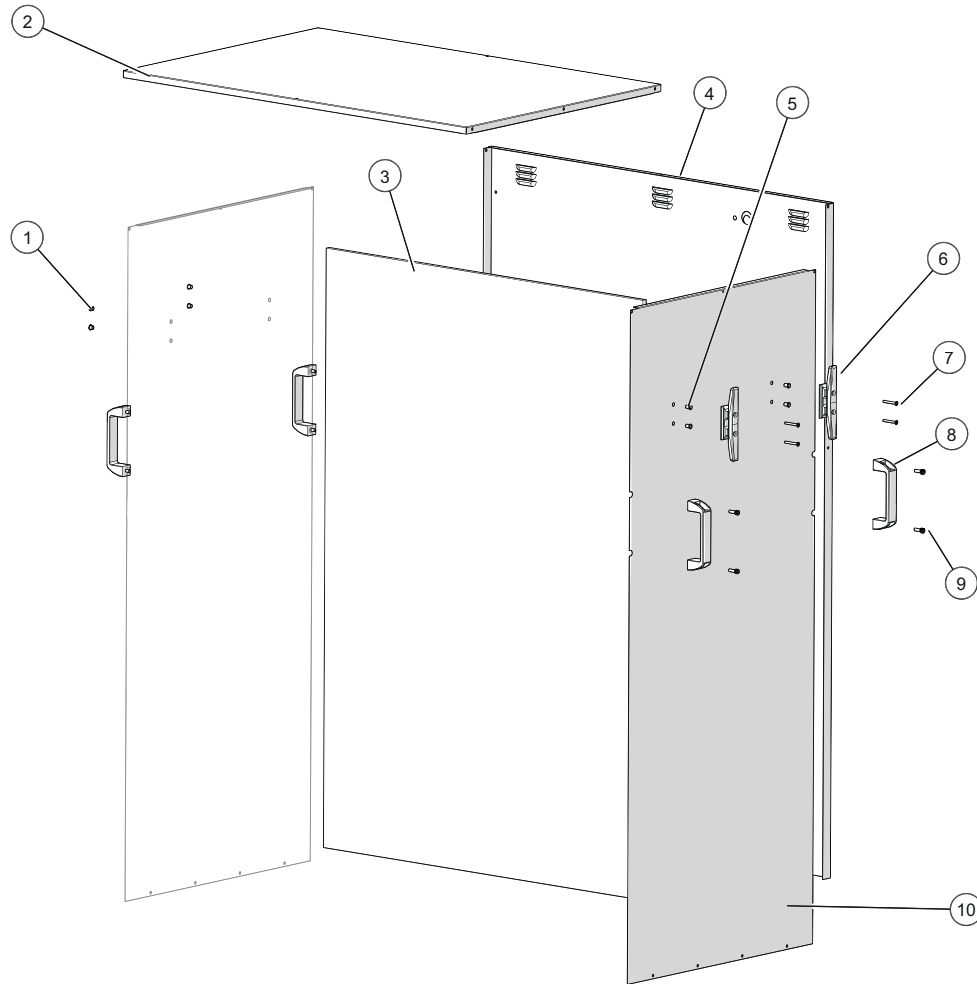
- Cordset Assembly, NEMA 5-15P .....39
- Cordset Assembly, NEMA 6-15P .....40
- Cordset Assembly, NEMA 5-20P .....41
- Cordset Assembly, CEE 7/7 .....42
- Cordset Assembly, BS 1363.....43
- Cordset Assembly, SAA AS 3112-16P .....44
- Cordset Assembly, AS/NZS 3112:2000 10A-250V .....45

# Exterior Package, 1000-BQ2/96



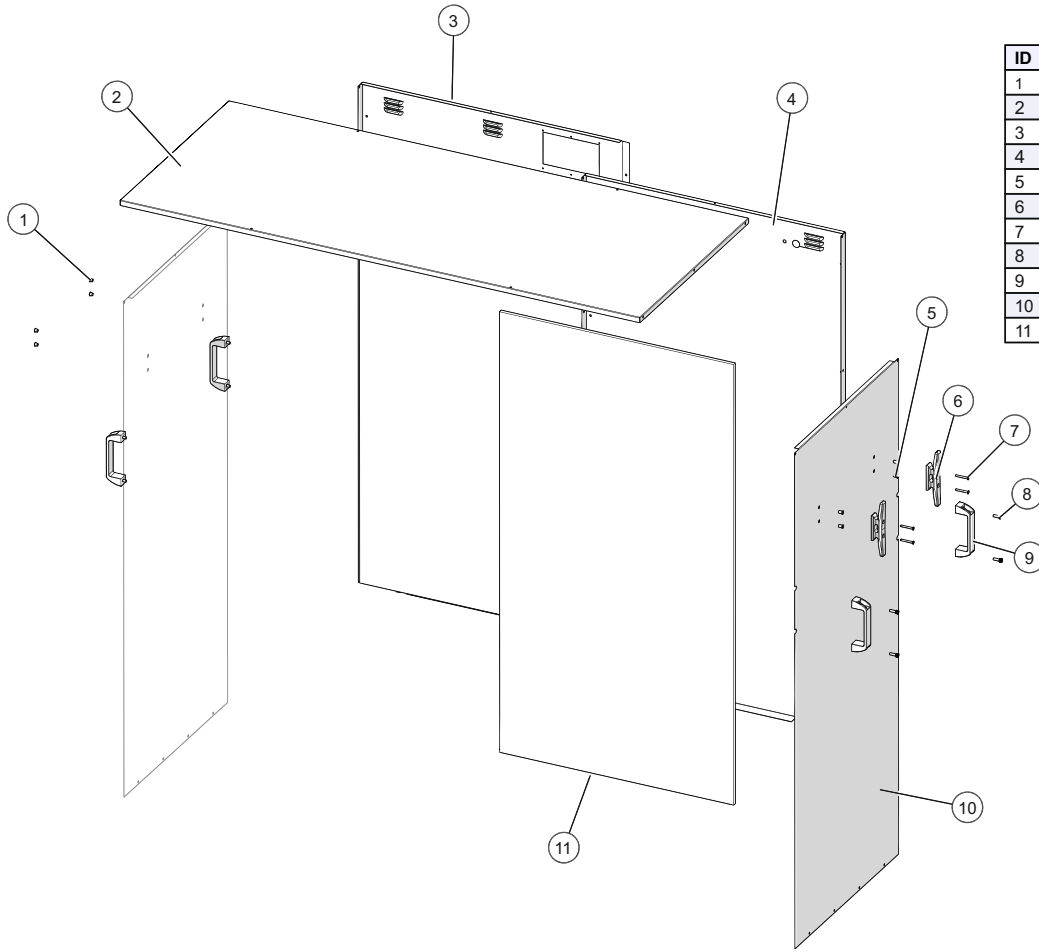
ID	Part No.	Description	Qty
1	<a href="#">SC-22271</a>	SCREW,M4x0.7X6MM PAN	27
2	<a href="#">IN-2003</a>	1/2" BOARD INSULATION	1
3	<a href="#">1012106</a>	BQ SIDE PANEL	2
4	<a href="#">PG-25782</a>	5/16" HOLE PLUG	4
5	<a href="#">SC-2459</a>	8-32 x 1/4" PHIL SCREW	2
6	<a href="#">1012109</a>	BQ96 TOP COVER	1
7	<a href="#">1012107</a>	CASING BACK	1
8	<a href="#">HG-22672</a>	10-32 THREADED INSERT	4
9	<a href="#">E2097HR</a>	HANGER 6-1/2" ROPE CLEAT 7/16 BLACK NYLON	2
10	<a href="#">SC-2073</a>	SCREW,10-32X1-1/2,NF,PHIL,FLAT M/S,18-8 S/S	4
11	<a href="#">HD-26792</a>	HANDLE	4
12	<a href="#">SC-22339</a>	1/4-20 X 3/4" SHCS PCN	8

# Exterior Package, 1000-BQ2/128



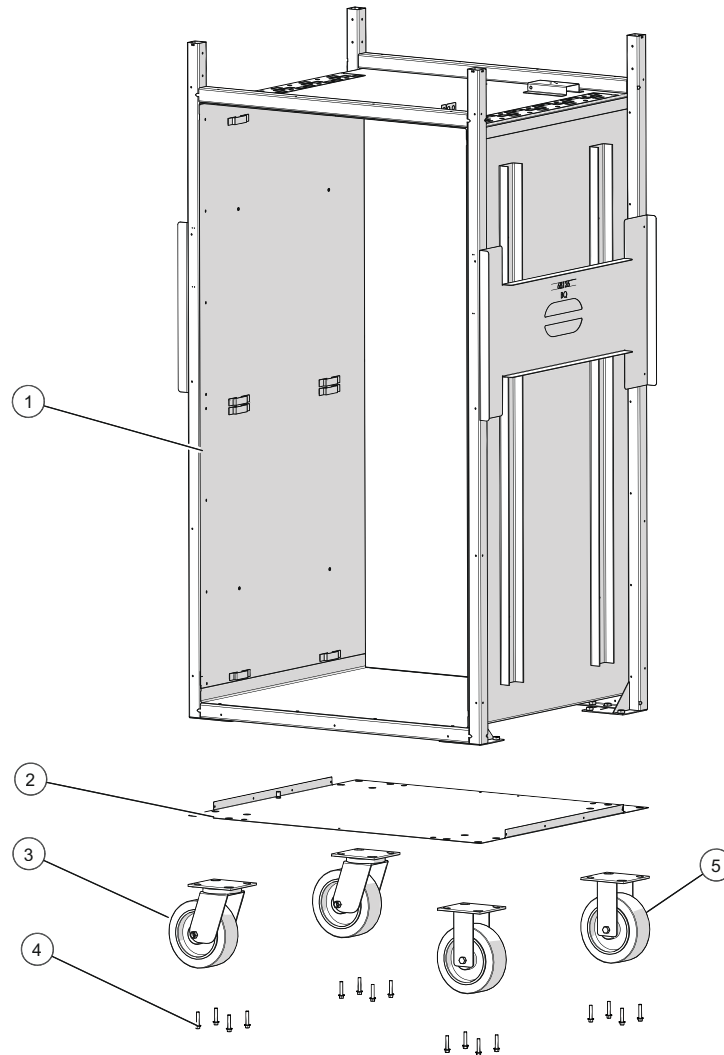
ID	Part No.	Description	Qty
1	<a href="#">PG-25782</a>	5/16" HOLE PLUG	4
2	1012144	BQ128 TOP COVER	1
3	<a href="#">IN-2381</a>	1/2" BOARD INSULATION 21 X 29	1
4	1012145	CASING BACK	1
5	<a href="#">HG-22672</a>	10-32 THREADED INSERT	4
6	<a href="#">E2097HR</a>	HANGER 6-1/2" ROPE CLEAT 7/16 BLACK NYLON	2
7	SC-2073	SCREW,10-32X1-1/2,NF,PHIL,FLAT M/S,18-8 S/S	4
8	<a href="#">HD-26792</a>	HANDLE	4
9	SC-22339	SCREW, 1/4-20 X 3/4" SHCS PCN	8
10	<a href="#">1012106</a>	BQ SIDE PANEL	2

# Exterior Package, 1000-BQ2/192



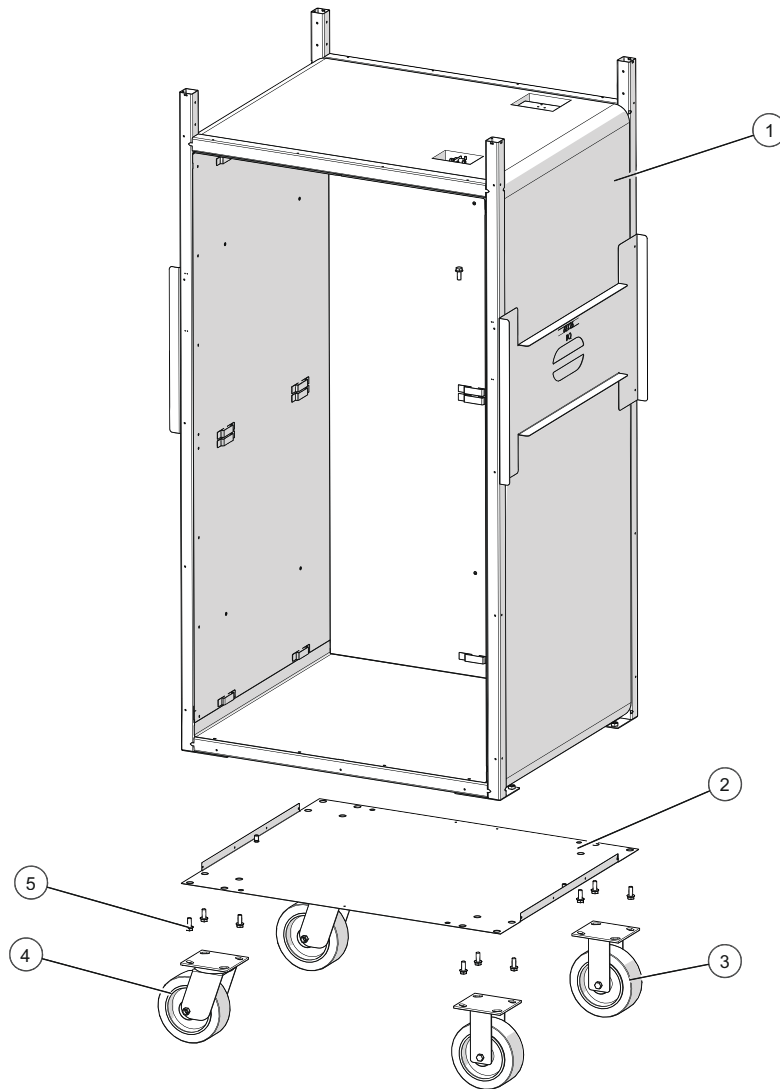
ID	Part No.	Description	Qty
1	<a href="#">PG-25782</a>	5/16" HOLE PLUG	4
2	<a href="#">1012122</a>	BQ192 TOP COVER	1
3	<a href="#">1012121</a>	BQ192 BACK PANEL	1
4	<a href="#">1012107</a>	CASING BACK	1
5	<a href="#">HG-22672</a>	10-32 THREADED INSERT	4
6	<a href="#">E2097HR</a>	HANGER 6-1/2" ROPE CLEAT 7/16 BLACK NYLON	2
7	<a href="#">SC-2073</a>	SCREW, 10-32X1-1/2, NF, PHIL, FLAT M/S, 18-8 S/S	4
8	<a href="#">SC-22339</a>	SCREW, 1/4-20 X 3/4" SHCS PCN	8
9	<a href="#">HD-26792</a>	HANDLE	4
10	<a href="#">1012106</a>	BQ SIDE PANEL	2
11	<a href="#">IN-2003</a>	1/2" BOARD INSULATION	2

# Cavity Package A, 1000-BQ2/96 (120V)



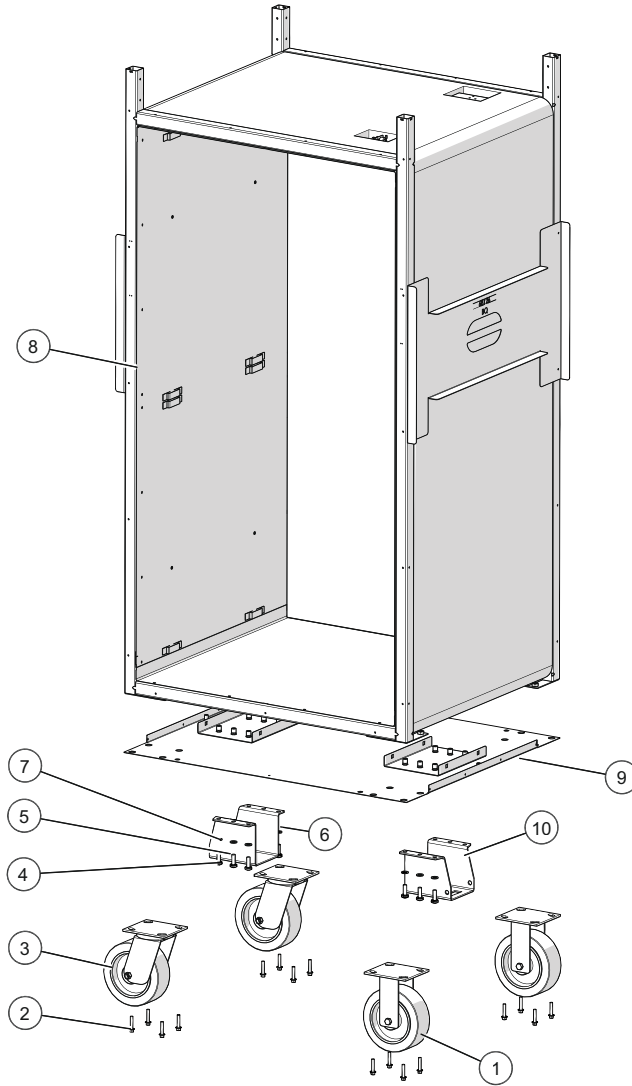
ID	Part No.	Description	Qty
1	5013357	TUBE CABLE ASSEMBLY	1
2	5013431	BQ96 BOTTOM PANEL WELD ASSB	1
3	CS-2231	6" CASTER, SWIVEL, PLATE	2
4	SC-27046	SCREW, M8X1.25X20MM HEX FLG	16
5	CS-2042	6"x2" RIGID CASTER	2

## Cavity Package B, 1000-BQ2/96 (208/240V, 230V)



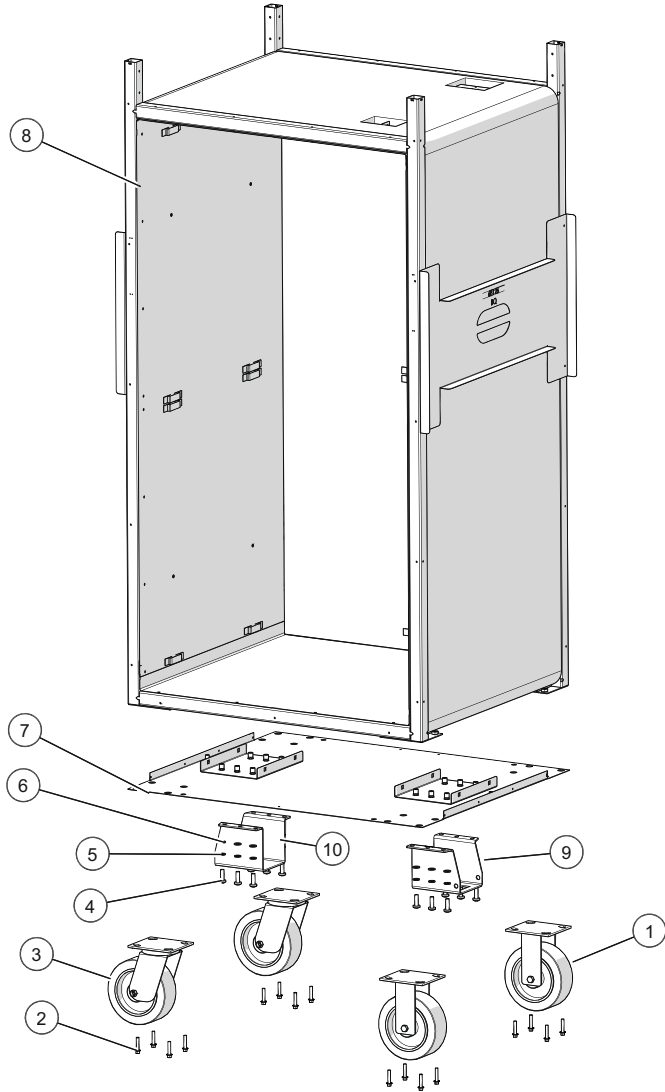
ID	Part No.	Description	Qty
1	5013415	TUBE CABLE ASSEMBLY	1
2	5013431	BQ96 BOTTOM PANEL WELD ASSB	1
3	<a href="#">CS-2042</a>	6"x2" RIGID CASTER	2
4	<a href="#">CS-2231</a>	6" CASTER, SWIVEL, PLATE	2
5	<a href="#">SC-27046</a>	M8 X 16 HEX HEAD SCREW	16

## Cavity Package C, 1000-BQ2/96 (208/240V, 230V w/hitch)



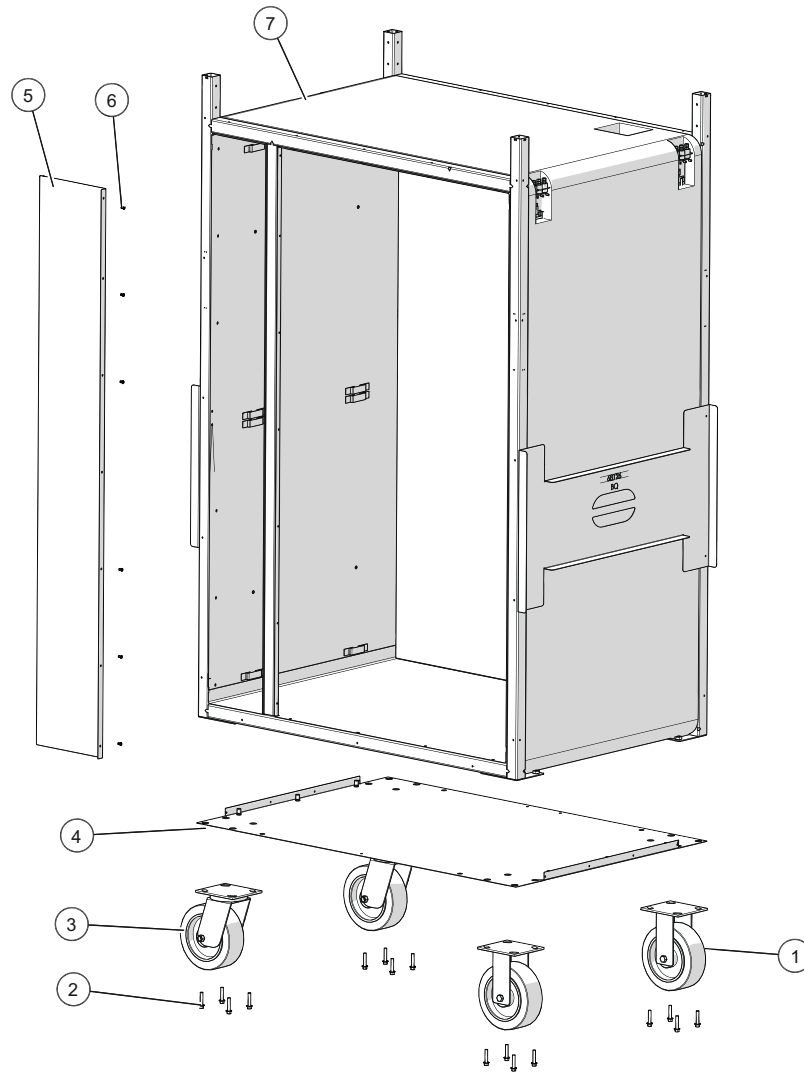
ID	Part No.	Description	Qty
1	<a href="#">CS-2042</a>	6"x2" RIGID CASTER	2
2	<a href="#">SC-35834</a>	SCREW, M6X1X30MM HEX FLG	16
3	<a href="#">CS-2231</a>	6" CASTER, SWIVEL, PLATE	2
4	<a href="#">SC-26604</a>	SCREW, M8x1.25X25MM PAN	12
5	<a href="#">1013823</a>	HITCH PIN RECEIVER BRACKET, BQ	1
6	<a href="#">WS-22303</a>	WASHER, M8 SPLIT LOCK	12
7	<a href="#">WS-22298</a>	WASHER, M8, 18-8	12
8	5013415	TUBE CABLE ASSEMBLY	1
9	5015721	BQ96 BOTTOM PANEL SPOT	1
10	<a href="#">1013824</a>	HITCH RECEIVER BRACKET W/SLOT, BQ	1

## Cavity Package D, 1000-BQ2/96 (125V w/hitch)



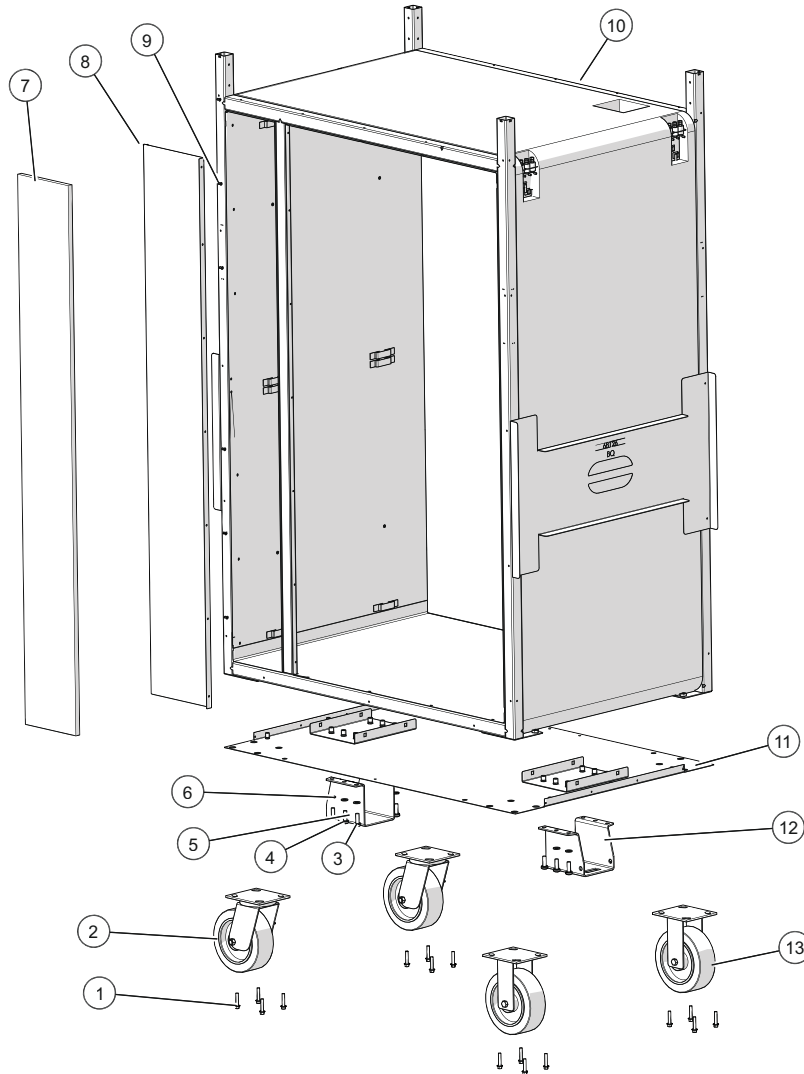
ID	Part No.	Description	Qty
1	<a href="#">CS-2042</a>	6"x2" RIGID CASTER	2
2	<a href="#">SC-27046</a>	SCREW, M8X1.25X20MM HEX FLG	16
3	CS-2231	6" CASTER, SWIVEL, PLATE	2
4	<a href="#">SC-26604</a>	SCREW, M8x1.25X25MM PAN	12
5	<a href="#">WS-22303</a>	WASHER, M8 SPLIT LOCK	12
6	<a href="#">WS-22298</a>	WASHER, M8, 18-8	12
7	5015721	BQ96 BOTTOM PANEL SPOT	1
8	5013357	TUBE CABLE ASSEMBLY	1
9	<a href="#">1013824</a>	HITCH RECEIVER BRACKET W/SLOT, BQ	1
10	<a href="#">1013823</a>	HITCH PIN RECEIVER BRACKET, BQ	1

## Cavity Package A, 1000-BQ2/128 (120V, 208/240V, 230V)



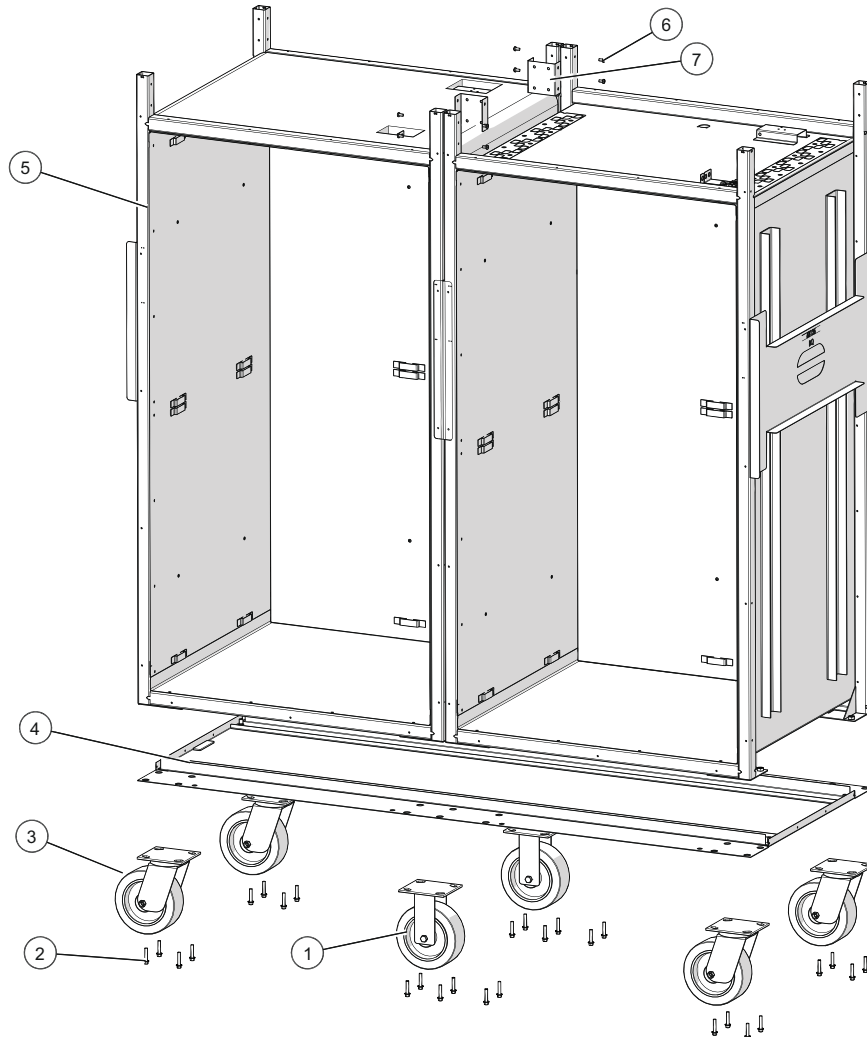
ID	Part No.	Description	Qty
1	<a href="#">CS-2042</a>	6"x2" RIGID CASTER	2
2	<a href="#">SC-27046</a>	SCREW, M8X1.25X20MM HEX FLG	16
3	<a href="#">CS-2231</a>	6" CASTER, SWIVEL, PLATE	2
4	5013461	BQ128 BOTTOM PANEL SPOT	1
5	1012147	BQ128 FRONT TRIM GUARD	1
6	<a href="#">RI-2100</a>	RIVET,BLIND,#44,STNLS	6
7	5013401	CABLE ASB,BQ2/128,125V,208/240V,230V	1

## Cavity Package D, 1000-BQ2/128 (120V, 208/240V, 230V w/hitch)



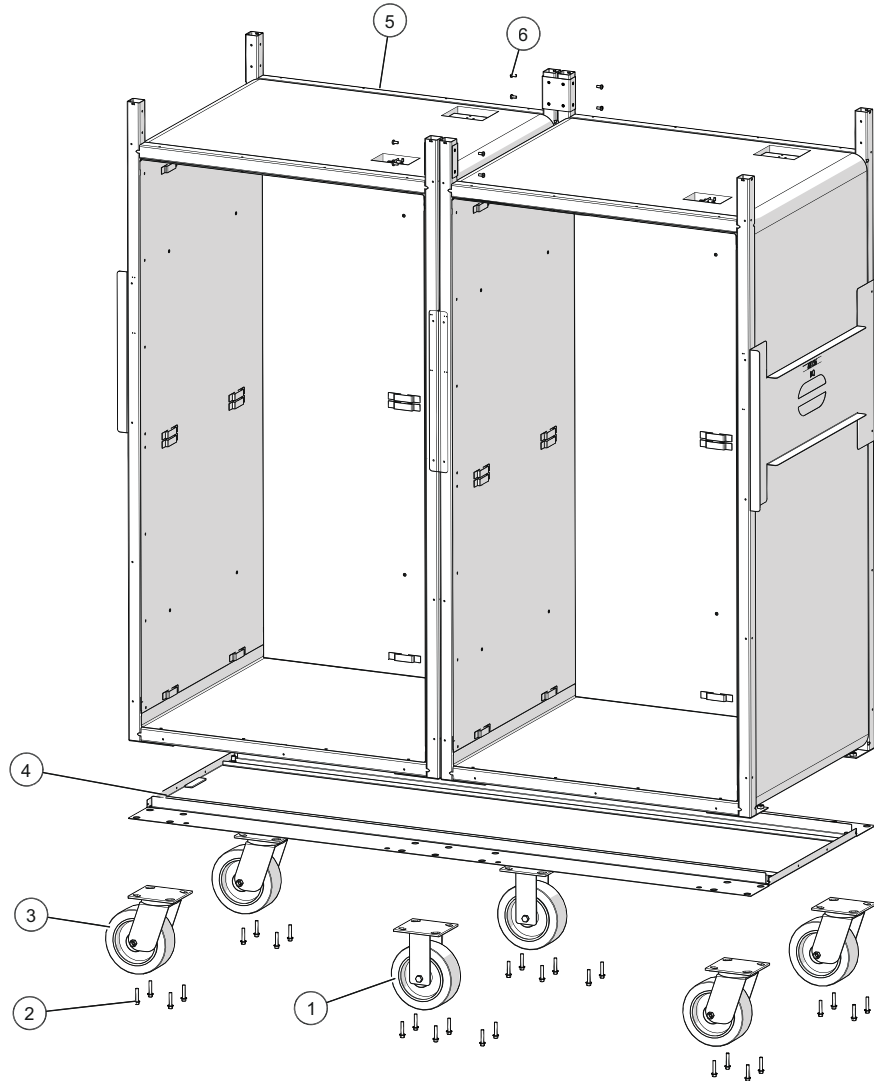
ID	Part No.	Description	Qty
1	<a href="#">SC-27046</a>	SCREW, M8X1.25X20MM HEX FLG	16
2	<a href="#">CS-2231</a>	6" CASTER, SWIVEL, PLATE	2
3	WS-22303	WASHER, M8 SPLIT LOCK	12
4	<a href="#">SC-26604</a>	SCREW, M8x1.25X25MM PAN	12
5	<a href="#">1013823</a>	HITCH PIN RECEIVER BRACKET, BQ	1
6	WS-22298	WASHER, M8, 18-8	12
7	<a href="#">IN-2003</a>	INSULATION, 1/2" BOARD, 53" X 6.75"	1
8	1012147	BQ128 FRONT TRIM GUARD	1
9	RI-2100	RIVET, BLIND, #44, STNLS	6
10	5013401	CABLE ASB, BQ2/128, 125V, 208/240V, 230V	1
11	<a href="#">5015983</a>	BQ128 BOTTOM PANEL SPOT	1
12	<a href="#">1013824</a>	HITCH RECEIVER BRACKET W/SLOT, BQ	1
13	<a href="#">CS-2042</a>	6"x2" RIGID CASTER	2

# Cavity Package A, 1000-BQ2/192 (120V)



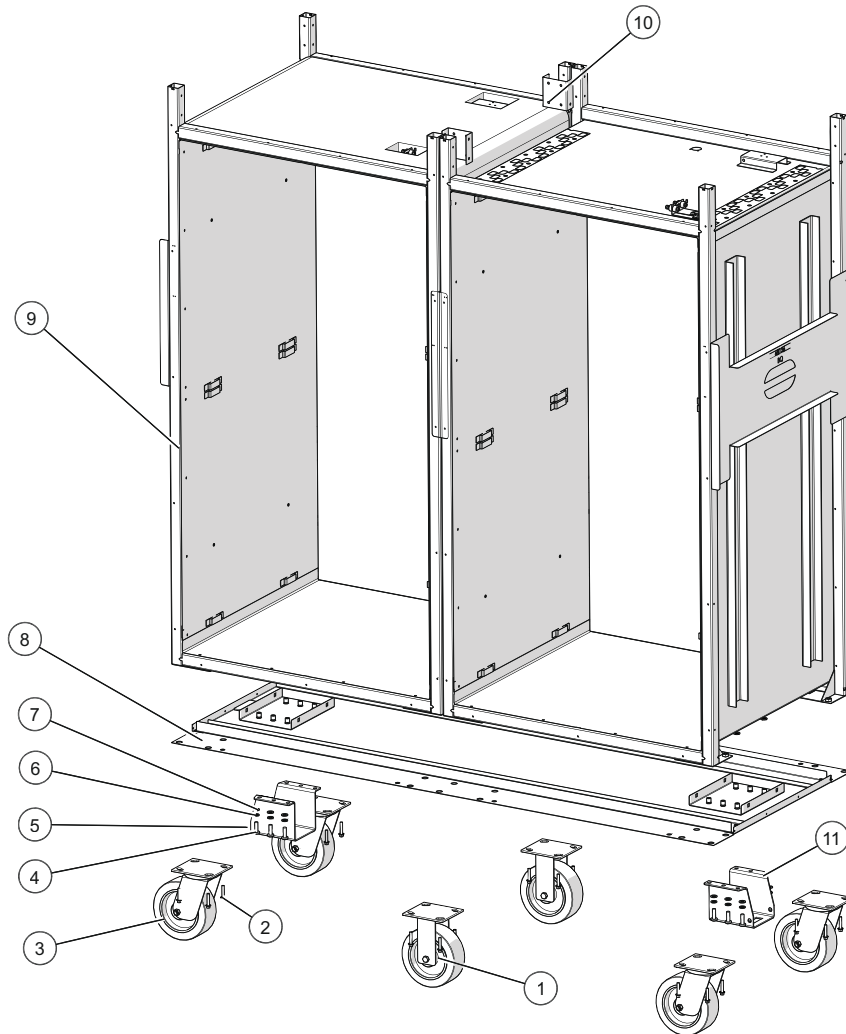
ID	Part No.	Description	Qty
1	<a href="#">CS-2042</a>	6"x2" RIGID CASTER	2
2	<a href="#">SC-27046</a>	SCREW, M8X1.25X20MM HEX FLG	28
3	<a href="#">CS-2231</a>	6" CASTER, SWIVEL, PLATE	4
4	<a href="#">5013362</a>	BQ192 BOTTOM PANEL SPOT ASSB	1
5	5013357	TUBE CABLE ASSEMBLY	2
6	<a href="#">SC-22766</a>	SCREW, M5x0.8X10MM PAN	8
7	1012120	BQ192 FRAME BRACKET	2

## Cavity Package B, 1000-BQ2/192 (120V, 208/240V, 230V)



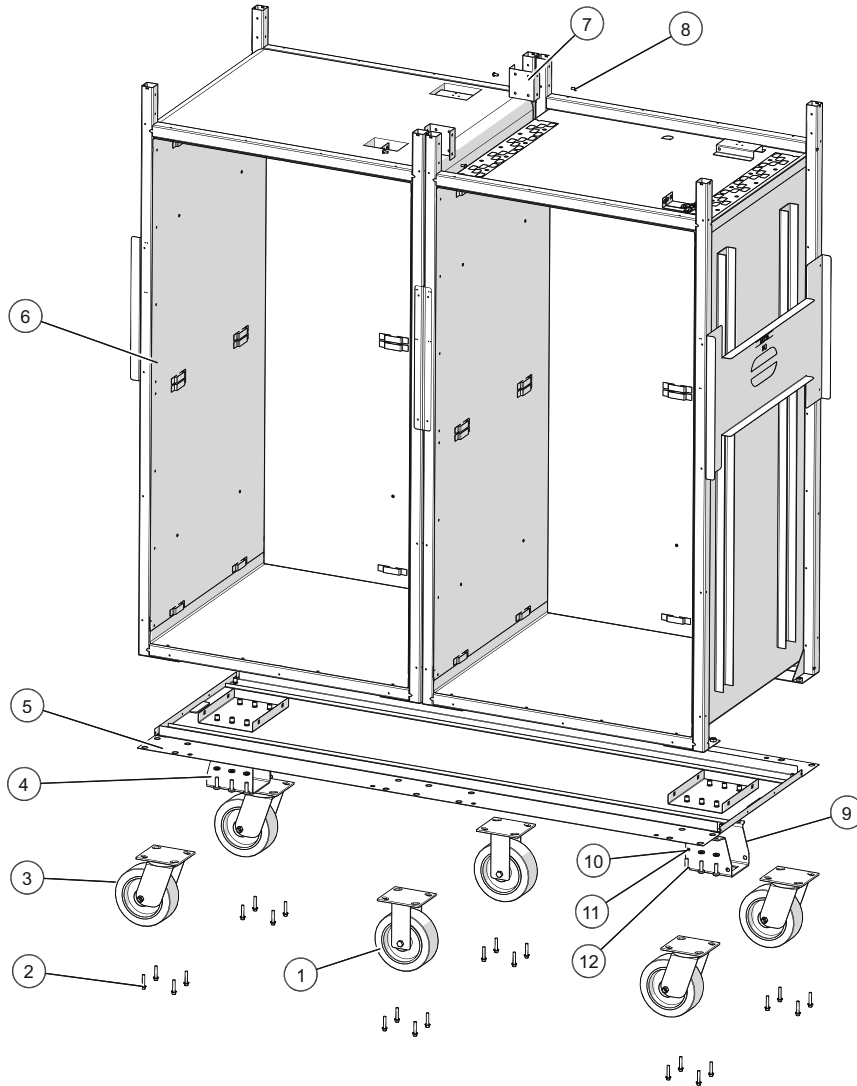
ID	Part No.	Description	Qty
1	CS-2042	6"x2" RIGID CASTER	2
2	SC-27046	SCREW, M8X1.25X20MM HEX FLG	28
3	CS-2231	6" CASTER, SWIVEL, PLATE	4
4	5013362	BQ192 BOTTOM PANEL SPOT ASSB	1
5	5013415	TUBE CABLE ASSEMBLY	2
6	SC-22766	SCREW, M5x0.8X10MM PAN	8

## Cavity Package C, 1000-BQ2/192 (120V, 208/240V, 230V w/hitch)



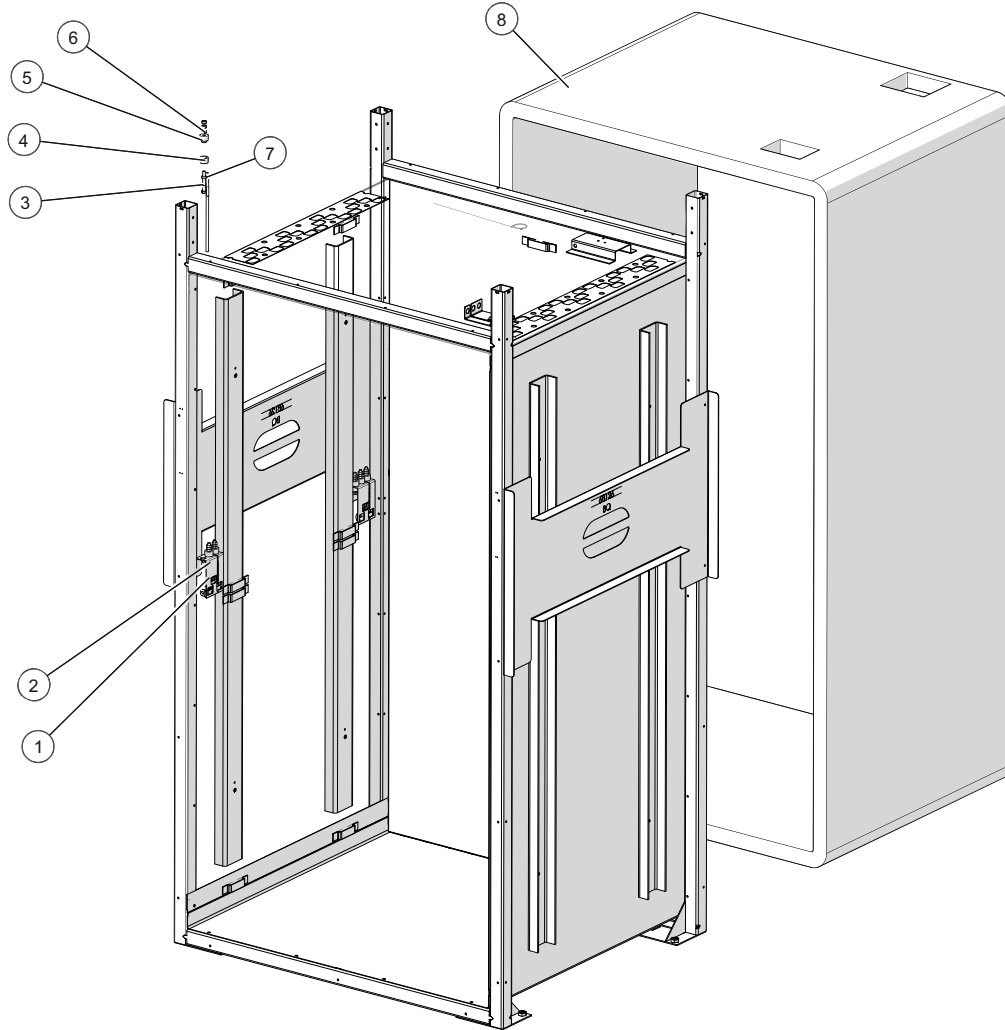
ID	Part No.	Description	Qty
1	CS-2042	6"x2" RIGID CASTER	2
2	<a href="#">SC-35834</a>	SCREW, M8X1.25X20MM HEX FLG	24
3	CS-2231	6" CASTER, SWIVEL, PLATE	4
4	<a href="#">SC-26604</a>	SCREW, M8x1.25X25MM PAN	12
5	<a href="#">1013823</a>	HITCH PIN RECEIVER BRACKET, BQ	1
6	<a href="#">WS-22303</a>	WASHER, M8 SPLIT LOCK	12
7	<a href="#">WS-22298</a>	WASHER, M8, 18-8	12
8	5015985	BQ192 BOTTOM PANEL SPOT	1
9	5013415	TUBE CABLE ASSEMBLY	2
10	1012120	BQ192 FRAME BRACKET	2
11	<a href="#">1013824</a>	HITCH RECEIVER BRACKET W/SLOT, BQ	1

## Cavity Package D, 1000-BQ2/192 (125V w/hitch)



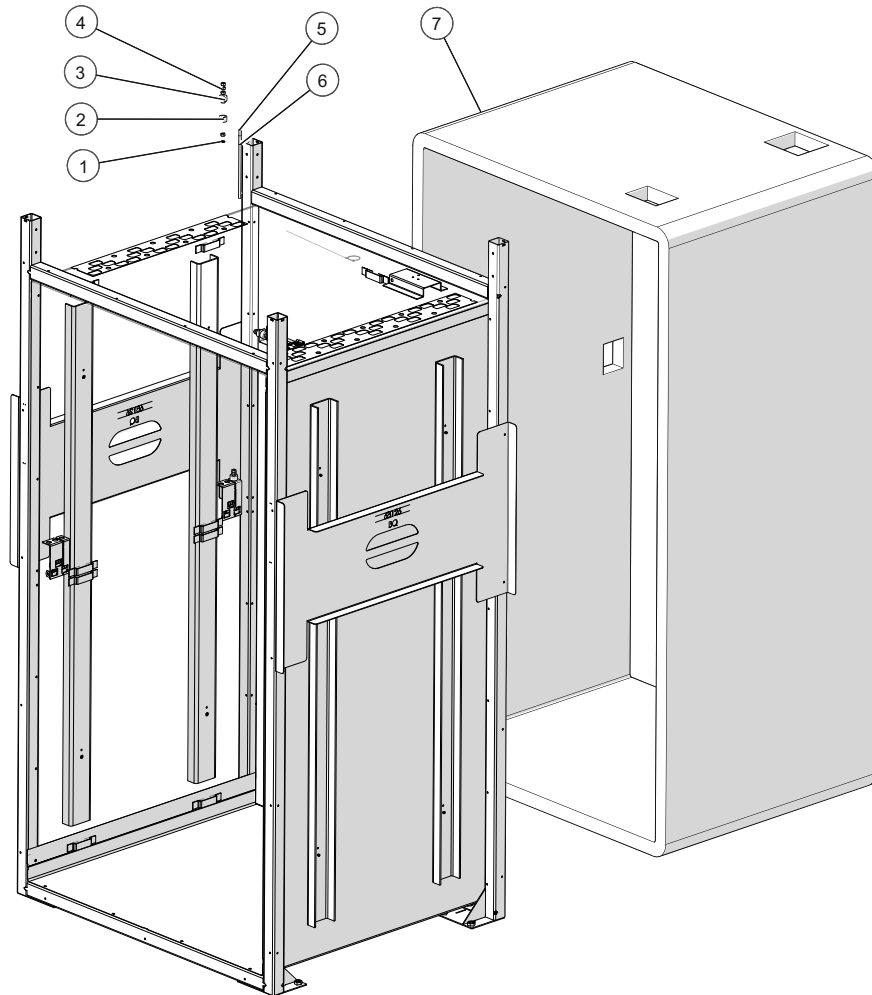
ID	Part No.	Description	Qty
1	<a href="#">CS-2042</a>	6"x2" RIGID CASTER	2
2	<a href="#">SC-35834</a>	SCREW, M8X1.25X20MM HEX FLG	24
3	<a href="#">CS-2231</a>	6" CASTER, SWIVEL, PLATE	4
4	<a href="#">1013823</a>	HITCH PIN RECEIVER BRACKET, BQ	1
5	5015985	BQ192 BOTTOM PANEL SPOT	1
6	5013357	TUBE CABLE ASSEMBLY	2
7	1012120	BQ192 FRAME BRACKET	2
8	<a href="#">SC-22766</a>	SCREW, M5x0.8X10MM PAN	8
9	<a href="#">1013824</a>	HITCH RECEIVER BRACKET W/SLOT, BQ	1
10	<a href="#">WS-22303</a>	WASHER, M8 SPLIT LOCK	12
11	<a href="#">WS-22298</a>	WASHER, M8, 18-8	12
12	<a href="#">SC-26604</a>	SCREW, M8x1.25X25MM PAN	12

## Tube Cable Assembly, BQ2-96 and BQ2-192 (120V)



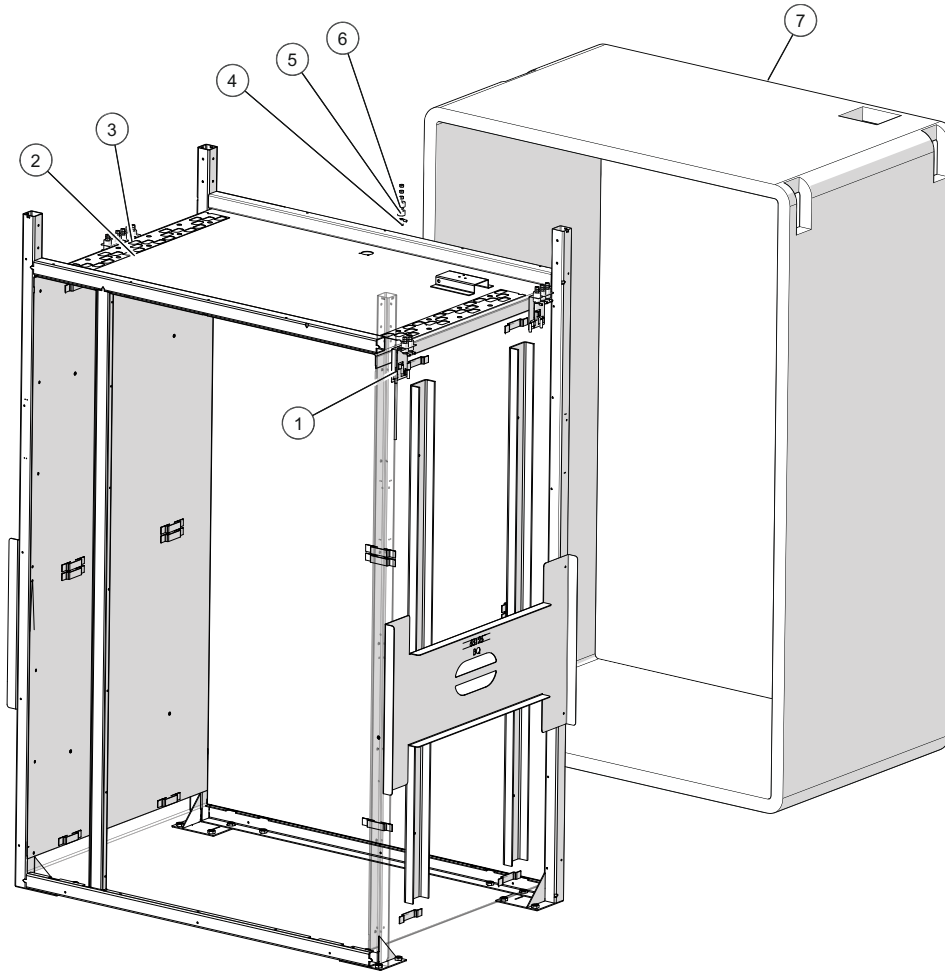
ID	Part No.	Description	Qty
1	SL-3063	SLEEVE,FIBER,HEAT TREAT	6
2	SC-28259	SCREW, M5x0.8x40MM HEX	6
3	CR-3226	CONNECTOR,TERM.,#10 STUD RING	6
4	BU-3106	BUSHING, FEMALE CERAMIC	6
5	BU-3105	BUSHING, MALE CERAMIC	6
6	NU-22289	NUT, M5-0.8 HEX NUT 18-8 DIN # 934	24
7	CB-3045	CABLE,HEATING,450 DEG.C. [FT]	1
8	IN-22364	1 1/2" FLUFF INSULATION	1

## Tube Cable Assembly, BQ2-96 and BQ2-192 (208/240V)



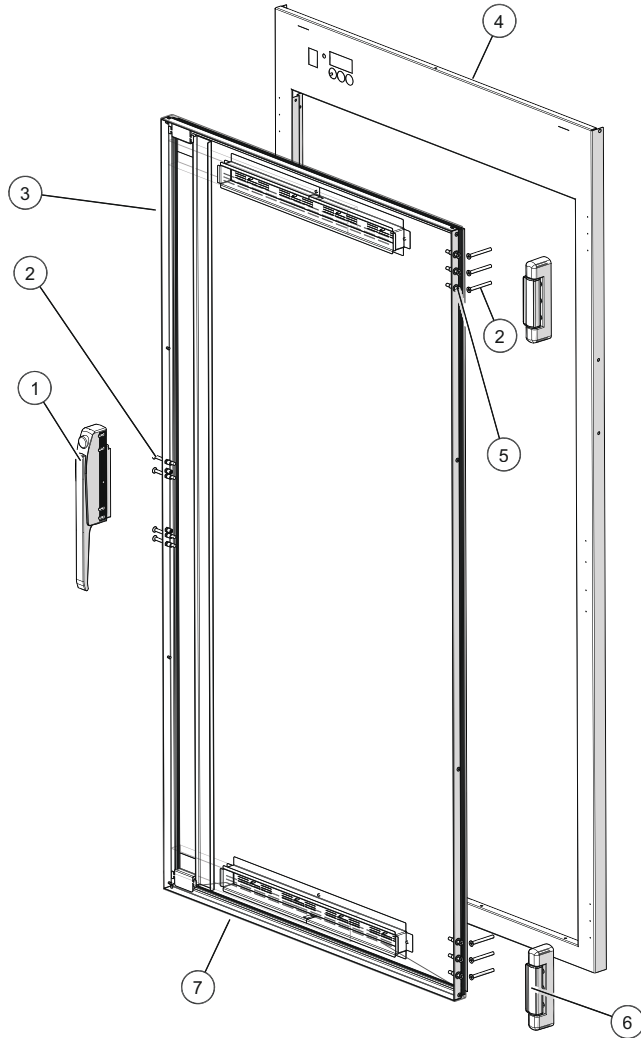
ID	Part No.	Description	Qty
1	<a href="#">CR-3226</a>	CONNECTOR,TERM.,#10 STUD RING	4
2	<a href="#">BU-3106</a>	BUSHING, FEMALE CERAMIC	4
3	<a href="#">BU-3105</a>	BUSHING, MALE CERAMIC	4
4	<a href="#">NU-22289</a>	NUT, M5-0.8 HEX NUT 18-8 DIN # 934	16
5	<a href="#">CB-3045</a>	CABLE,HEATING,450 DEG.C. [FT]	1
6	<a href="#">SL-3063</a>	SLEEVE,FIBER,HEAT TREAT	4
7	<a href="#">IN-22364</a>	1 1/2" FLUFF INSULATION	1

## Tube Cable Assembly, BQ2-128 (120V)



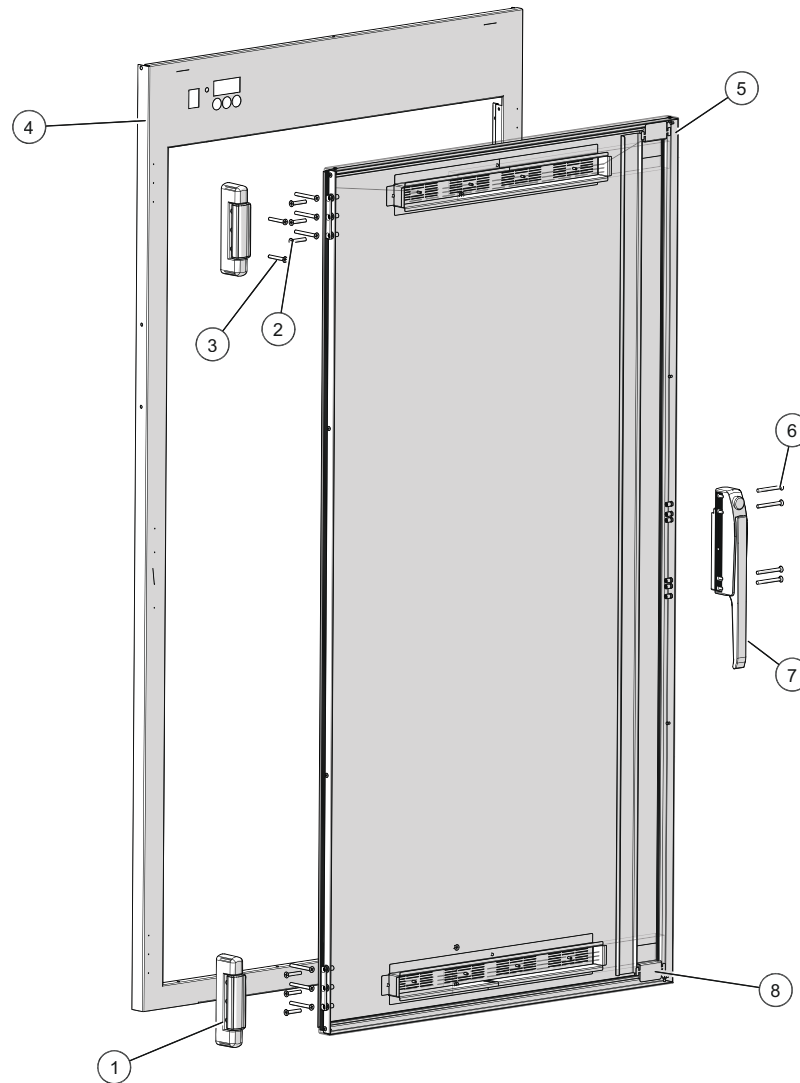
ID	Part No.	Description	Qty
1	<a href="#">CB-3045</a>	CABLE, HEATING, 450 DEG. C. [FT]	1
2	<a href="#">SL-3063</a>	SLEEVE, FIBER, HEAT TREAT	12
3	<a href="#">CR-3226</a>	CONNECTOR, TERM., #10 STUD RING	12
4	<a href="#">NU-22289</a>	NUT, M5-0.8 HEX NUT 18-8 DIN # 934	48
5	<a href="#">BU-3106</a>	BUSHING, FEMALE CERAMIC	12
6	<a href="#">BU-3105</a>	BUSHING, MALE CERAMIC	12
7	IN-22364	1 1/2" FLUFF INSULATION	1

## Door Package A, 1000-BQ2/96



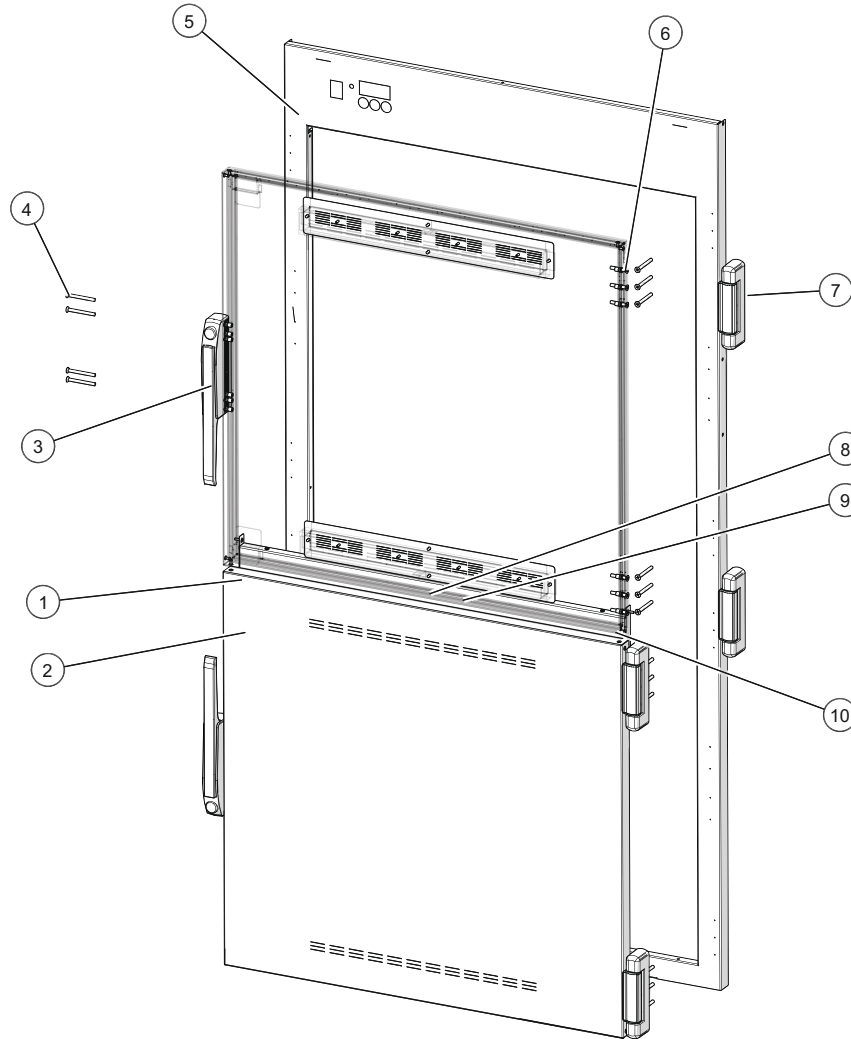
ID	Part No.	Description	Qty
1	<a href="#">HD-27080 (LH)</a>	HANDLE,OFFSET MAG LATCH	1
2	<a href="#">SC-35259</a>	SCREW,M5x0.8X50MM FLAT	10
3	<a href="#">5013417</a>	DOOR, ASSEMBLY	1
4	<a href="#">5035377</a>	BQ96 FRONT TRIM STUD ASSB	1
5	<a href="#">SC-22853</a>	SCREW,M5x0.8X30MM FLAT	6
6	<a href="#">HG-22338</a>	HINGE, 1-3/8 OFFSET, PAIR, CHROME	1
7	<a href="#">GS-29510</a>	GASKET,DOOR,GREY	1

# Door Package B, 1000-BQ2/96



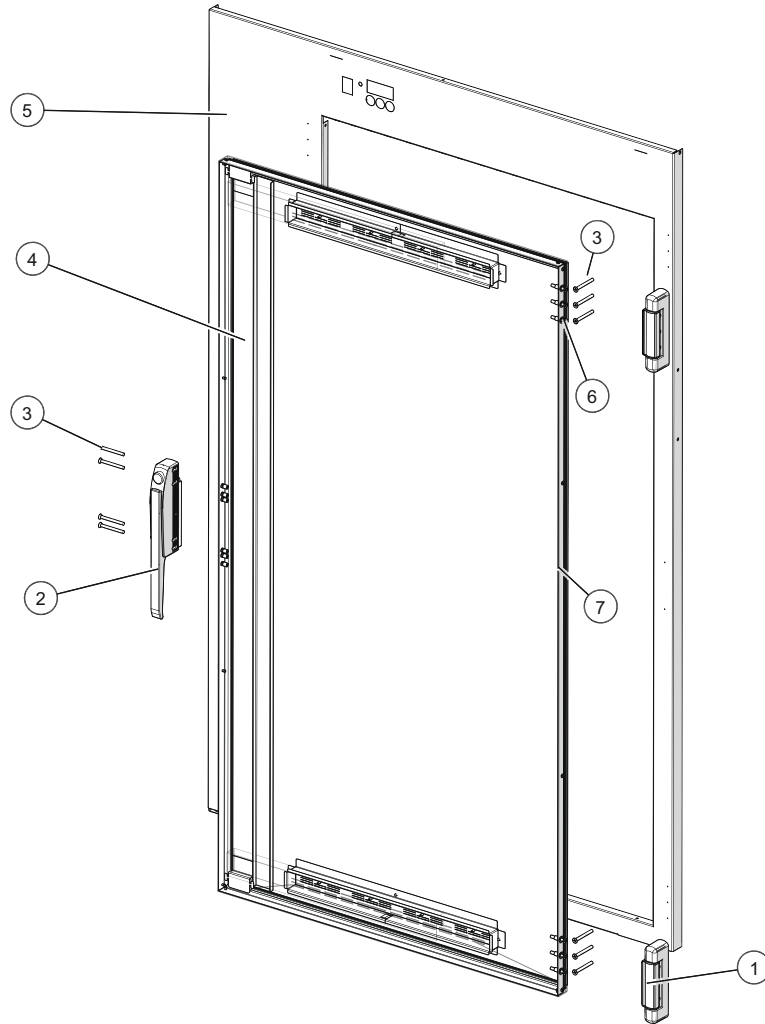
ID	Part No.	Description	Qty
1	HG-22338	HINGE, 1-3/8 OFFSET, PAIR, CHROME	1
2	<a href="#">SC-22853</a>	SCREW,M5x0.8X30MM FLAT	6
3	<a href="#">SC-2073</a>	SCREW,10-32X1-1/2,NF,PHIL,FLAT M/S,18-8 S/S	6
4	5035377	BQ96 FRONT TRIM STUD ASSB	1
5	<a href="#">5013417</a>	DOOR, ASSEMBLY	1
6	<a href="#">SC-35259</a>	SCREW,M5x0.8X50MM FLAT	10
7	<a href="#">HD-2566</a>	HANDLE,OFFSET MAG LATCH	1
8	GS-29510	GASKET,DOOR,GREY	1

## Door Package C, 1000-BQ2/96



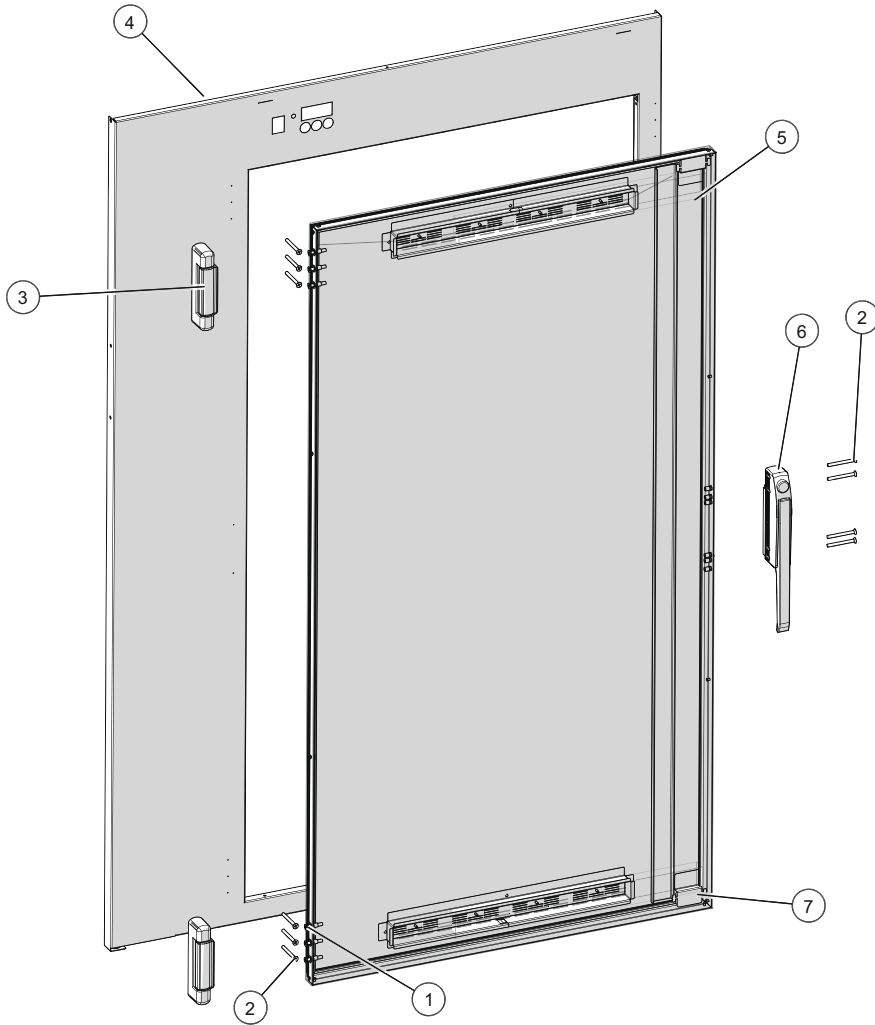
ID	Part No.	Description	Qty
1	<a href="#">RI-27108</a>	RIVET, SEALED	10
2	<a href="#">5016854</a>	DOOR, ASSEMBLY	2
3	HD-2566	HANDLE, OFFSET MAG LATCH	2
4	<a href="#">SC-35259</a>	SCREW,M5x0.8X50MM FLAT	20
5	5035376	BQ96 FRONT TRIM STUD ASSB	1
6	<a href="#">SC-22853</a>	SCREW,M5x0.8X30MM FLAT	12
7	HG-22338	HINGE, 1-3/8 OFFSET, PAIR, CHROME	2
8	1015133	FRONT TRIM INSIDE MULLION	1
9	1015134	FRONT TRIM OUTSIDE MULLION	1
10	<a href="#">GS-36249</a>	GASKET,DOOR,GREY	2

## Door Package A, 1000-BQ2/128



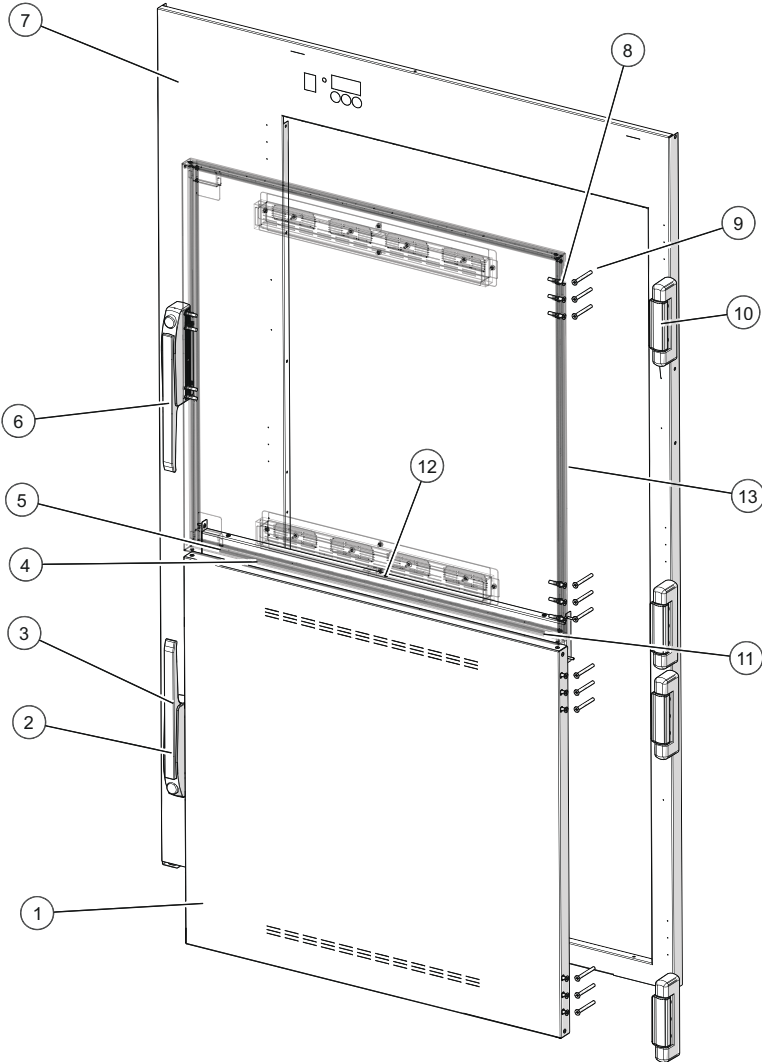
ID	Part No.	Description	Qty
1	<a href="#">HG-22338</a>	HINGE, 1-3/8 OFFSET, PAIR, CHROME	1
2	<a href="#">HD-27080</a> (LH)	HANDLE, OFFSET MAG LATCH	1
3	<a href="#">SC-35259</a>	SCREW, M5x0.8X50MM FLAT	10
4	<a href="#">5013417</a>	DOOR, ASSEMBLY	1
5	5035379	BQ128 FRONT TRIM STUD ASSB	1
6	<a href="#">SC-22853</a>	SCREW, M5x0.8X30MM FLAT	6
7	<a href="#">GS-29510</a>	GASKET, DOOR, GREY	1

## Door Package B, 1000-BQ2/128



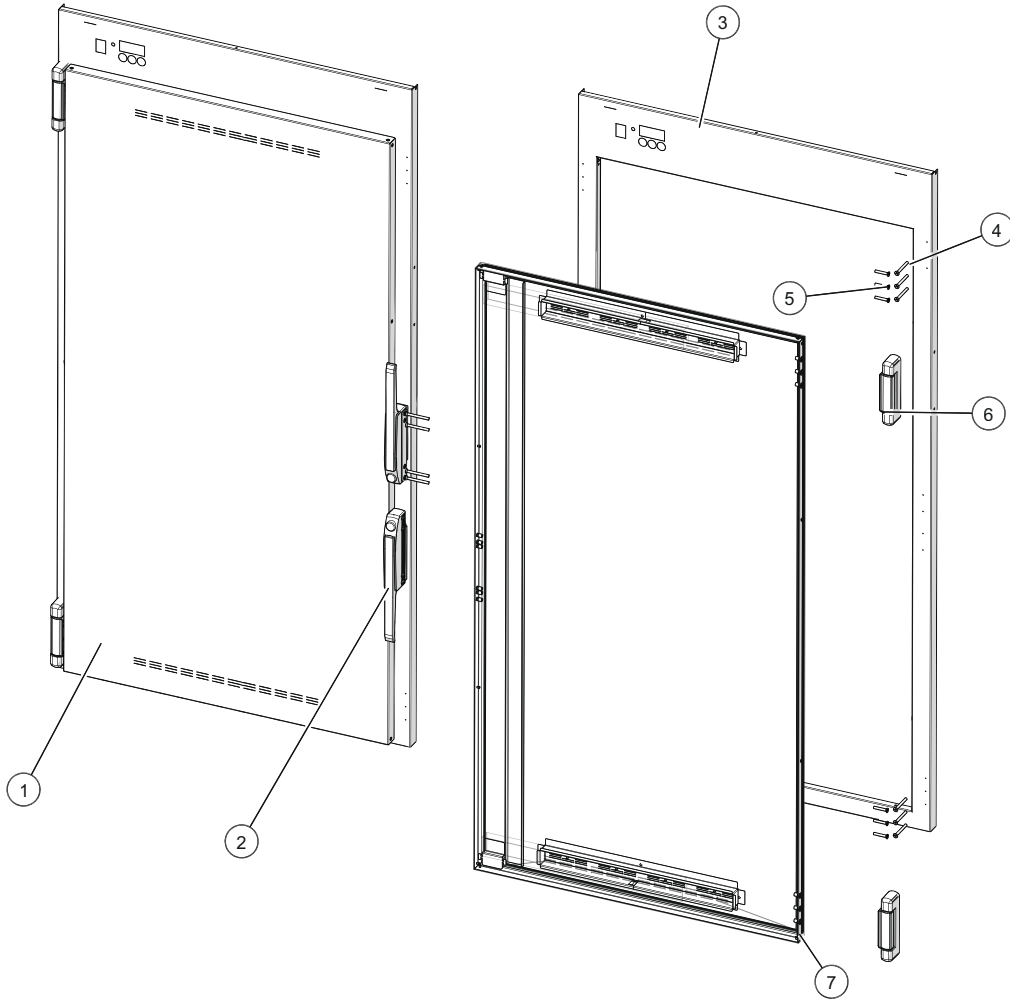
ID	Part No.	Description	Qty
1	<a href="#">SC-22853</a>	SCREW,M5x0.8X30MM FLAT	6
2	<a href="#">SC-35259</a>	SCREW,M5x0.8X50MM FLAT	10
3	HG-22338	HINGE, 1-3/8 OFFSET, PAIR, CHROME	1
4	5035379	BQ128 FRONT TRIM STUD ASSB	1
5	<a href="#">5013417</a>	DOOR, ASSEMBLY	1
6	<a href="#">HD-2566</a>	HANDLE,OFFSET MAG LATCH	1
7	<a href="#">GS-29510</a>	GASKET,DOOR,GREY	1

# Door Package C, 1000-BQ2/128



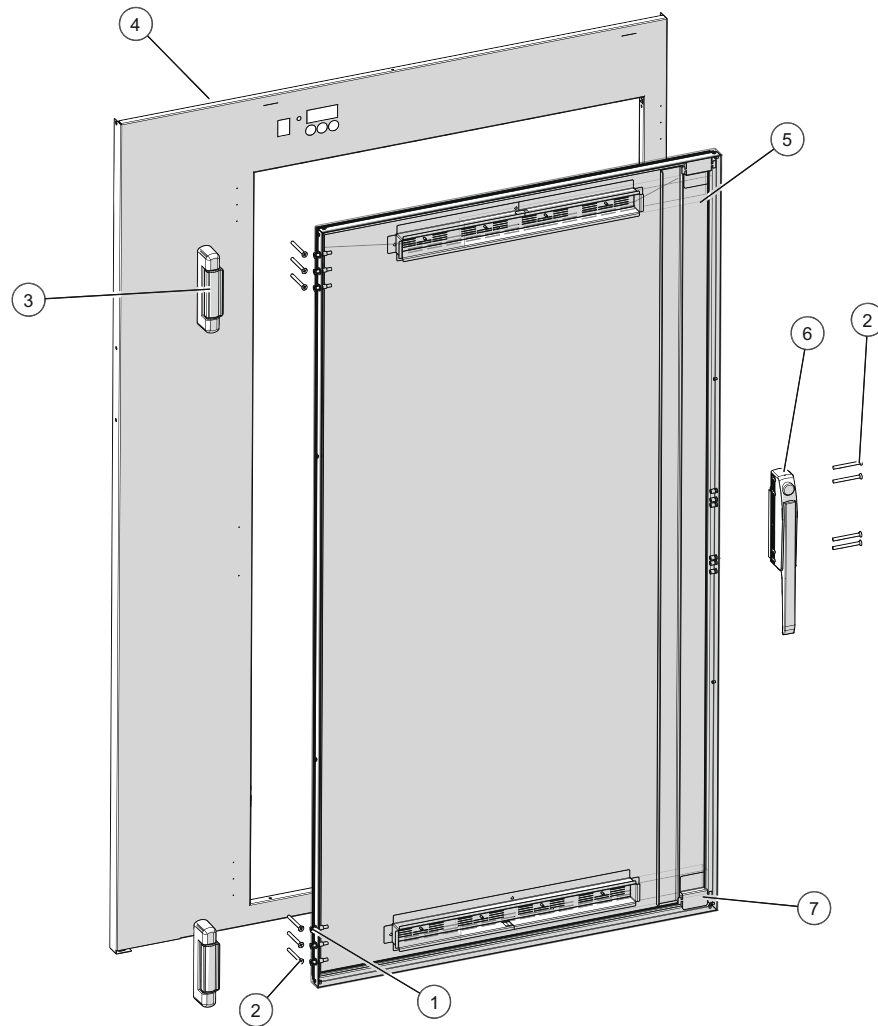
ID	Part No.	Description	Qty
1	5016854	DOOR, ASSEMBLY	2
2	HD-2566 (RH)	HANDLE, OFFSET MAG LATCH	1
3	SC-2073	SCREW, 10-32X1-1/2, NF, PHIL, FLAT M/S, 18-8 S/S	4
4	1015134	FRONT TRIM OUTSIDE MULLION	1
5	1015133	FRONT TRIM INSIDE MULLION	1
6	HD-27080 (LH)	HANDLE, OFFSET MAG LATCH	1
7	5035378	BQ128 FRONT TRIM STUD ASSB	1
8	SC-22853	SCREW, M5x0.8X30MM FLAT	12
9	SC-35259	SCREW, M5x0.8X50MM FLAT	20
10	HG-22338	HINGE, 1-3/8 OFFSET, PAIR, CHROME	2
11	IN-2003	0.5" X 2" X 27.5" BOARD INSULATION	1
12	RI-27108	RIVET, SEALED, 0.125" x 0.45"	10
13	GS-36249	GASKET, DOOR, GREY	2

## Door Package A, 1000-BQ2/192



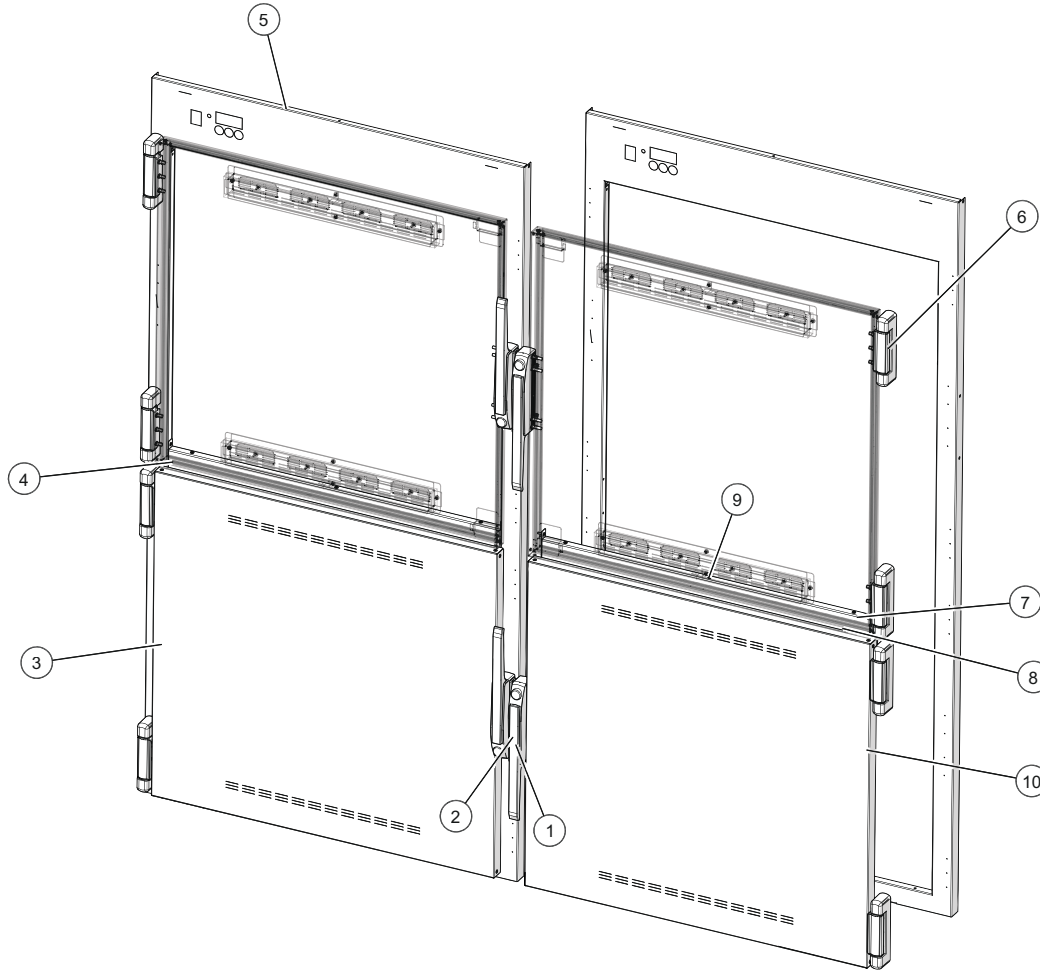
ID	Part No.	Description	Qty
1	<a href="#">5013417</a>	DOOR, ASSEMBLY	2
2	HD-27080	HANDLE, OFFSET MAG LATCH	2
3	5035377	BQ96 FRONT TRIM STUD ASSB	2
4	<a href="#">SC-35259</a>	SCREW, M5x0.8X50MM FLAT	20
5	<a href="#">SC-22853</a>	SCREW, M5x0.8X30MM FLAT	12
6	<a href="#">HG-22338</a>	HINGE, 1-3/8 OFFSET, PAIR, CHROME	2
7	<a href="#">GS-29510</a>	GASKET, DOOR, GREY	2

# Door Package B, 1000-BQ2/192



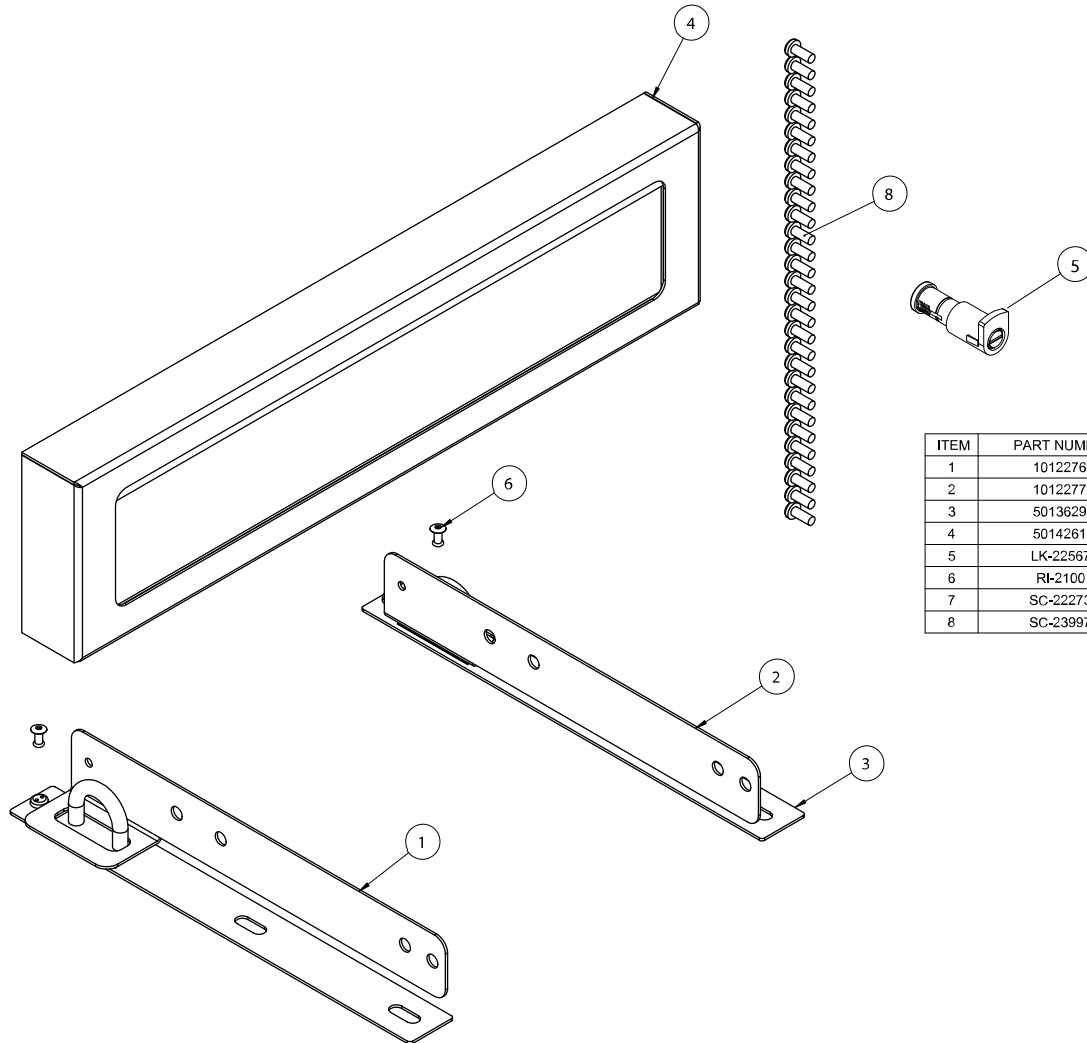
ID	Part No.	Description	Qty
1	<a href="#">SC-22853</a>	SCREW,M5x0.8X30MM FLAT	6
2	<a href="#">SC-35259</a>	SCREW,M5x0.8X50MM FLAT	10
3	<a href="#">HG-22338</a>	HINGE, 1-3/8 OFFSET, PAIR, CHROME	1
4	5035379	BQ128 FRONT TRIM STUD ASSB	1
5	<a href="#">5013417</a>	DOOR, ASSEMBLY	1
6	<a href="#">HD-2566</a>	HANDLE,OFFSET MAG LATCH	1
7	<a href="#">GS-29510</a>	GASKET,DOOR,GREY	1

## Door Package B (split), 1000-BQ2/192



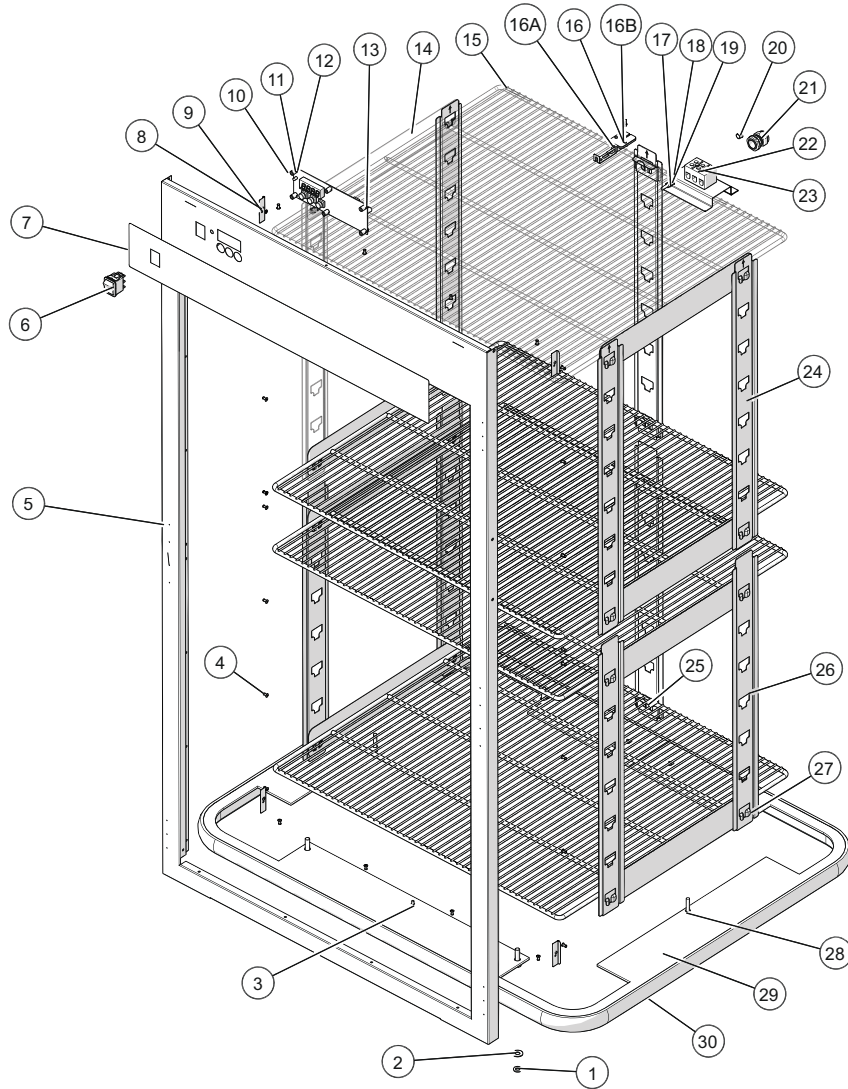
ID	Part No.	Description	Qty
1	SC-35259	SCREW,M5x0.8X50MM FLAT	16
2	HD-2566 (LH)	HANDLE,OFFSET MAG LATCH	4
3	5016854	DOOR, ASSEMBLY	4
4	IN-2003	0.5" X 2" X 27.5" BOARD INSULATION	2
5	5035376	BQ96 FRONT TRIM STUD ASSB	2
6	HG-22338	DOOR HINGE,OFFSET PAIR, 1-3/8"	8
7	1015133	FRONT TRIM INSIDE MULLION	2
8	1015134	FRONT TRIM OUTSIDE MULLION	2
9	RI-27108	RIVET, SEALED, 0.125" X 0.45"	20
10	GS-36249	GASKET,DOOR,GREY	4

# Security Hardware Package



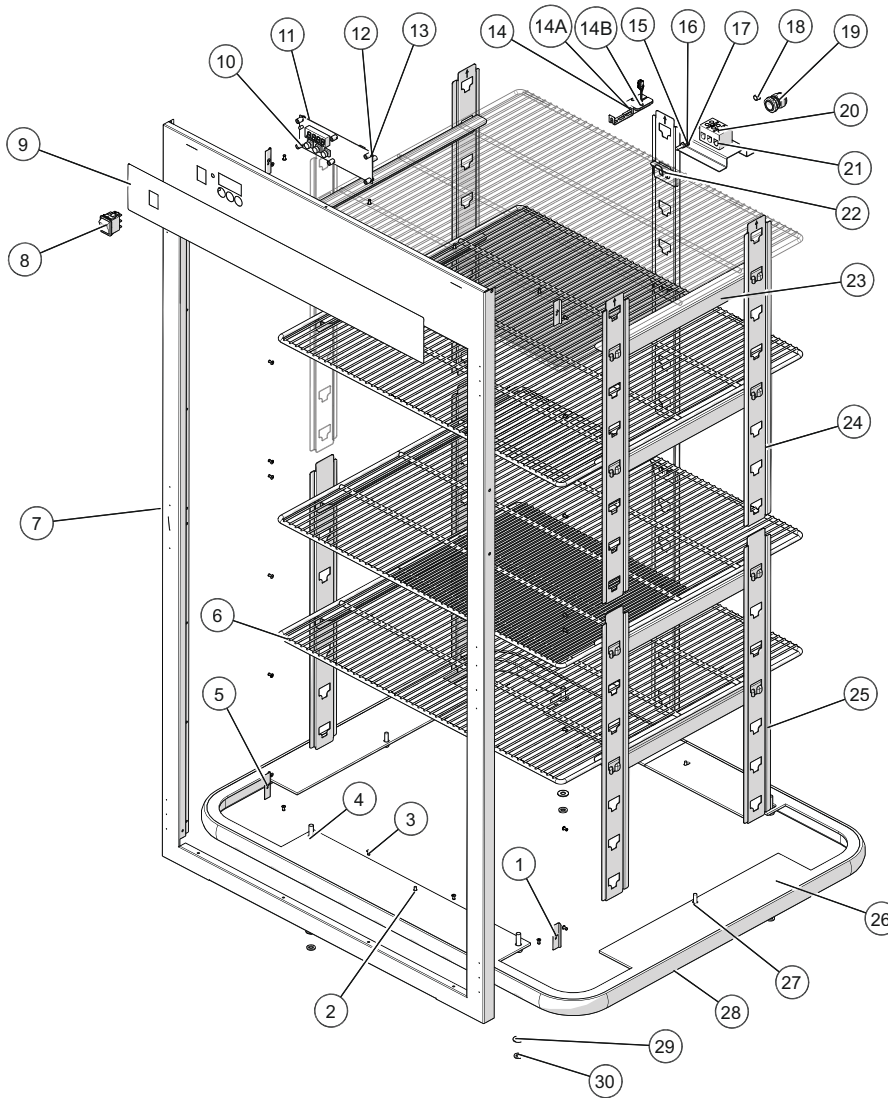
ITEM	PART NUMBER	DESCRIPTION	QTY
1	1012276	BQ TOP DOOR PRISON HASP BRACKET	1
2	1012277	BQ BOTTOM DOOR PRISON HASP BRACKET	1
3	5013629	BQ PRISON HASP WELD	2
4	5014261	BQ SECURITY CONTROL PANEL	1
5	LK-22567	LOCK, CYLINDER, FOR HD-2566,	2
6	RI-2100	RIVET, BLIND, #44, STNLS	2
7	SC-22273	SCREW, M4x0.7X10 PAN (NOT SHOWN)	3
8	SC-23997	SCREW, M4x0.7 X 10MM PAN SPNR	31

# Electrical Package A, 1000-BQ2/96 (120V)



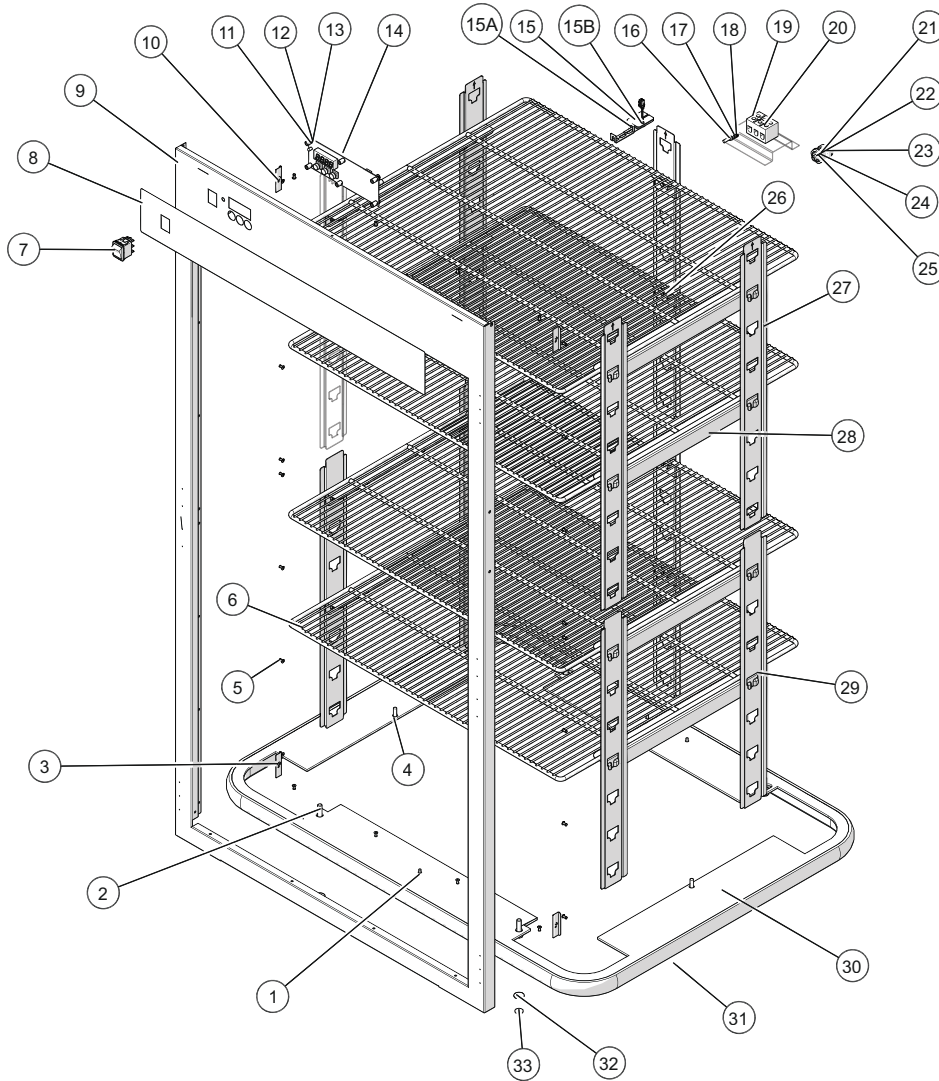
ID	Part No.	Description	Qty
1	WS-2867	WASHER, LOCK, 5/16 DIA.	4
2	WS-23725	5/16 FLAT WASHER	4
3	SC-22273	SCREW,M4x0.7X10MM PAN	3
4	RI-2100	RIVET,BLIND,#44,STNLS	24
5	5013358	BQ96 FRONT TRIM STUD ASSB	1
6	SW-38665	SWITCH,ROCKER,DPDT,20A,125V,	1
7	PE-48062	PANEL,OVERLAY,ELAN,BQ2/96,128,	1
8	RI-2097	#42 STAINLESS RIVET	4
9	1012115	BQ96 FRONT TRIM DUST COVER	4
10	CC-34970	ELAN WARMER CONTROL, PUSHBUTTON	1
11	SP-29392	SPACER, SNAP-IN, 7/16"	6
12	NU-2361	NUT, 6-32 HEX, S/S	4
13	WS-23148	WASHER, 6-32, FLAT, NYL	4
14	1061	SHELF SLIDE	8
15	SH-2835	SHELF, NICKEL CHROME, BQ	4
16	SN-38111	SENSOR	1
16A	1493	GUARD SENSOR,W/MW	1
16B	BK-29605	BLOCK, SENSOR, ELEC. CONTROL	1
17	NU-36234	NUT, M5, KEPS	3
18	WS-2467	WASHER, INT. LOCK	1
19	SC-38128	SCREW,PAN PH, METRIC, M5	1
20	PG-25574	3/8" HOLE PLUG	1
21	BU-3964	BUSHING,STRAIGHT,STRAIN RELIEF	1
22	BK-3019	T-BLOCK	1
23	SC-2365	SCREW,6-32X1-1/4,NC PHILLIPS	2
24	1012308	BQ TOP CLIP SUPPORT	5
25	11533	CLIP,SHELF	4
26	1015195	BRACKET, SUPPORT BOTTOM CLIP	5
27	SC-22279	SCREW, M8x1.25x30MM HEX	4
28	SC-35834	SCREW, M6X1X30MM HEX FLG	2
29	BM-28029	BUMPER, ALUMINUM FRAME	1
30	BM-24766	BUMPER,PERIMETER,RUBBER	1
31	5013926	WIRE SET, BQ96 120V (NOT SHOWN)	1

# Electrical Package B, 1000-BQ2/96 (208/240V)



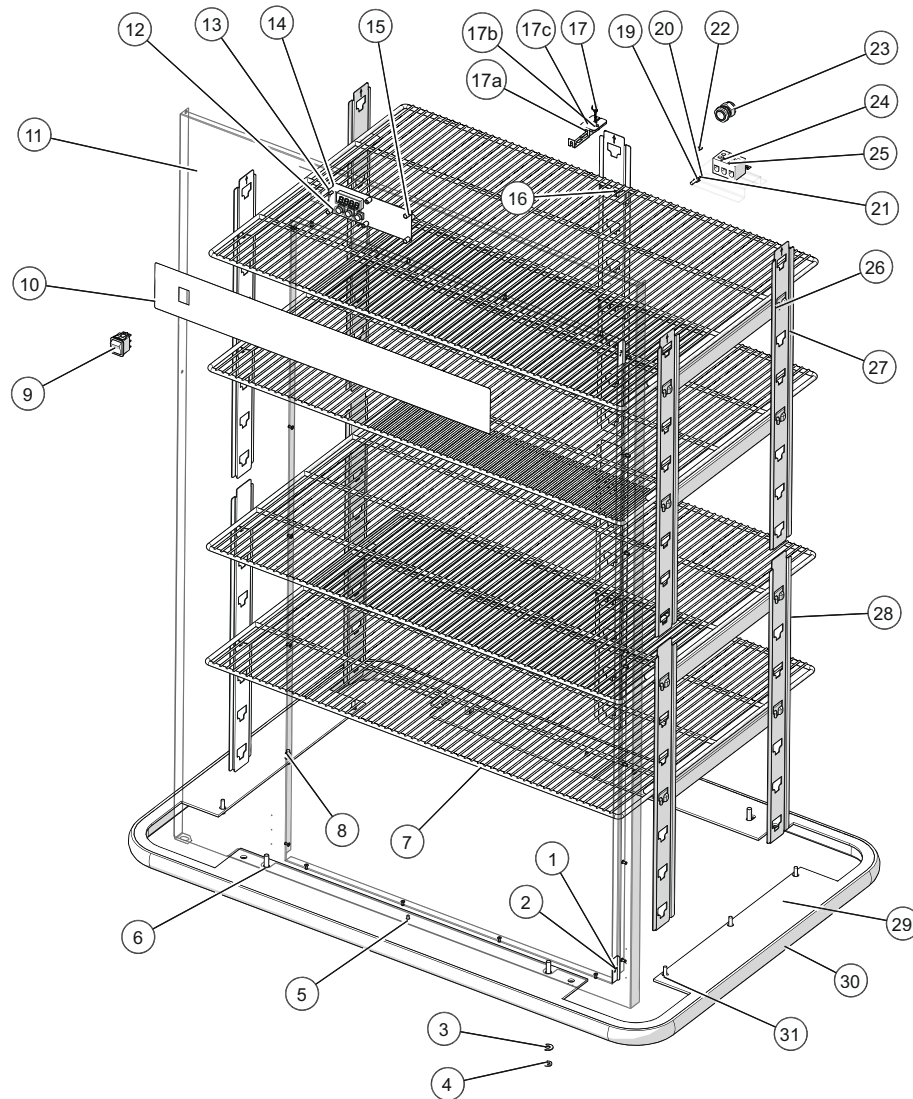
ID	Part No.	Description	Qty
1	1012115	BQ96 FRONT TRIM DUST COVER	4
2	SC-22273	SCREW,M4x0.7X10MM PAN	3
3	RI-2100	RIVET,BLIND,#44,STNLS	24
4	SC-22279	SCREW, M8x1.25x30MM HEX	4
5	RI-2097	#42 STAINLESS RIVET	4
6	SH-2835	SHELF, NICKEL CHROME, BQ	4
7	5013358	BQ96 FRONT TRIM STUD ASSB	1
8	SW-38665	SWITCH,ROCKER,DPDT,20A,125V,	1
9	PE-48062	PANEL,OVERLAY,ELAN,BQ2/96,128,	1
10	SP-29392	SPACER, SNAP-IN, 7/16"	6
11	CC-34970	LOW COST ELAN WARMER CONTROL	1
12	NU-2361	NUT, 6-32 HEX, S/S	4
13	WS-23148	WASHER, 6-32, FLAT, NYL	4
14	SN-38111	SENSOR	1
14A	1493	GUARD SENSOR,W/MW	1
14B	BK-29605	BLOCK, SENSOR, ELEC. CONTROL	1
15	NU-36234	NUT, M5, KEPS	3
16	SC-38128	SCREW,PAN PH, METRIC, M5	1
17	WS-2467	WASHER, INT. LOCK	1
18	PG-25574	3/8" HOLE PLUG	1
19	BU-3964	BUSHING,STRAIGHT,STRAIN RELIEF	1
20	SC-2365	SCREW,6-32X1-1/4,NC PHILLIPS	2
21	1018601	T-BLOCK BRACKET	1
22	11533	CLIP,SHELF	4
23	1061	SHELF SLIDE	8
24	1012308	BQ TOP CLIP SUPPORT	5
25	1015195	BRACKET, SUPPORT BOTTOM CLIP	5
26	BM-28029	BUMPER, ALUMINUM FRAME	1
27	SC-28256	SCREW, M6X1X20MM HEX FLG	2
28	BM-24766	BUMPER,PERIMETER,RUBBER	1
29	WS-23725	5/16 FLAT WASHER	4
30	WS-2867	WASHER, LOCK, 5/16 DIA.	4

# Electrical Package C, 1000-BQ2/96 (230V)



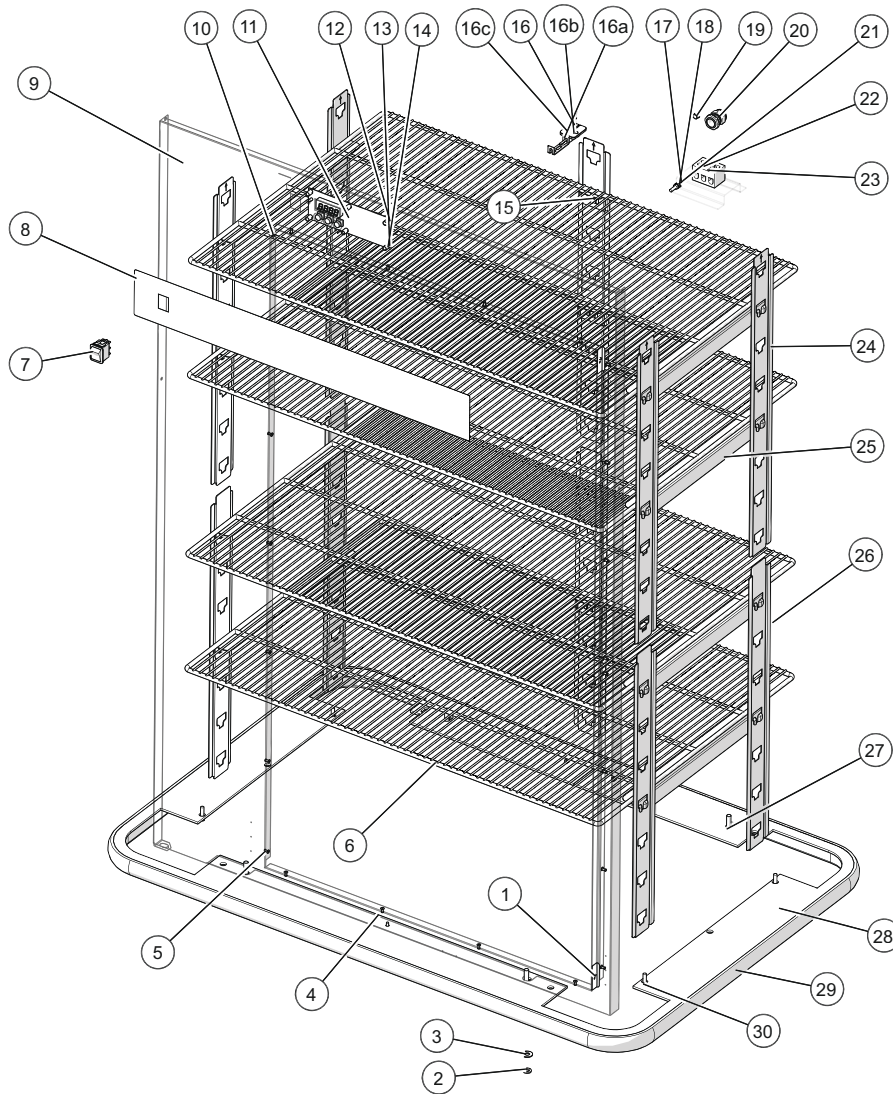
ID	Part No.	Description	Qty
1	SC-22273	SCREW,M4x0.7X10MM PAN	3
2	SC-22279	SCREW, M8x1.25x30MM HEX	4
3	RI-2097	#42 STAINLESS RIVET	4
4	SC-28256	SCREW, M6X1X20MM HEX FLG	2
5	RI-2100	RIVET,BLIND,#44,STNLS	24
6	SH-2835	SHELF, NICKEL CHROME, BQ	4
7	SW-38665	SWITCH,ROCKER,DPDT,20A,125V,	1
8	PE-48062	PANEL,OVERLAY,ELAN,BQ2/96,128,	1
9	5013358	BQ96 FRONT TRIM STUD ASSB	1
10	1012115	BQ96 FRONT TRIM DUST COVER	4
11	SP-29392	SPACER, SNAP-IN, 7/16"	6
12	WS-23148	WASHER, 6-32, FLAT, NYL	4
13	NU-2361	NUT, 6-32 HEX, S/S	4
14	CC-34970	ELAN WARMER CONTROL	1
15	SN-38111	SENSOR	1
15A	1493	GUARD SENSOR,W/MW	1
15B	BK-29605	BLOCK, SENSOR, ELEC. CONTROL	1
16	NU-36234	NUT, M5, KEPS	3
17	SC-38128	SCREW,PAN PH, METRIC, M5	1
18	WS-2467	WASHER, INT. LOCK	1
19	BK-3019	T-BLOCK	1
20	SC-2365	SCREW,6-32X1-1/4,NC PHILLIPS	2
21	SC-22924	HHCS, M6 X 20, W/NO MARKING	1
22	NU-22770	NUT, THREADED INSERT, M6	1
23	BU-3964	BUSHING,STRAIGHT,STRAIN RELIEF	1
24	WS-22302	WASHER, SPLIT LOCK	2
25	WS-22297	WASHER, FLAT	2
26	11533	CLIP,SHELF	4
27	1012308	BQ TOP CLIP SUPPORT	5
28	1061	SHELF SLIDE	8
29	1015195	BRACKET, SUPPORT BOTTOM CLIP	5
30	BM-24950	BUMPER, ALUMINUM FRAME BQ96	1
31	BM-24766	BUMPER,PERIMETER,RUBBER	1
32	WS-23725	5/16 FLAT WASHER	4
33	WS-2867	WASHER, LOCK, 5/16 DIA.	4

## Electrical Package A, 1000-BQ2/128 (120V)



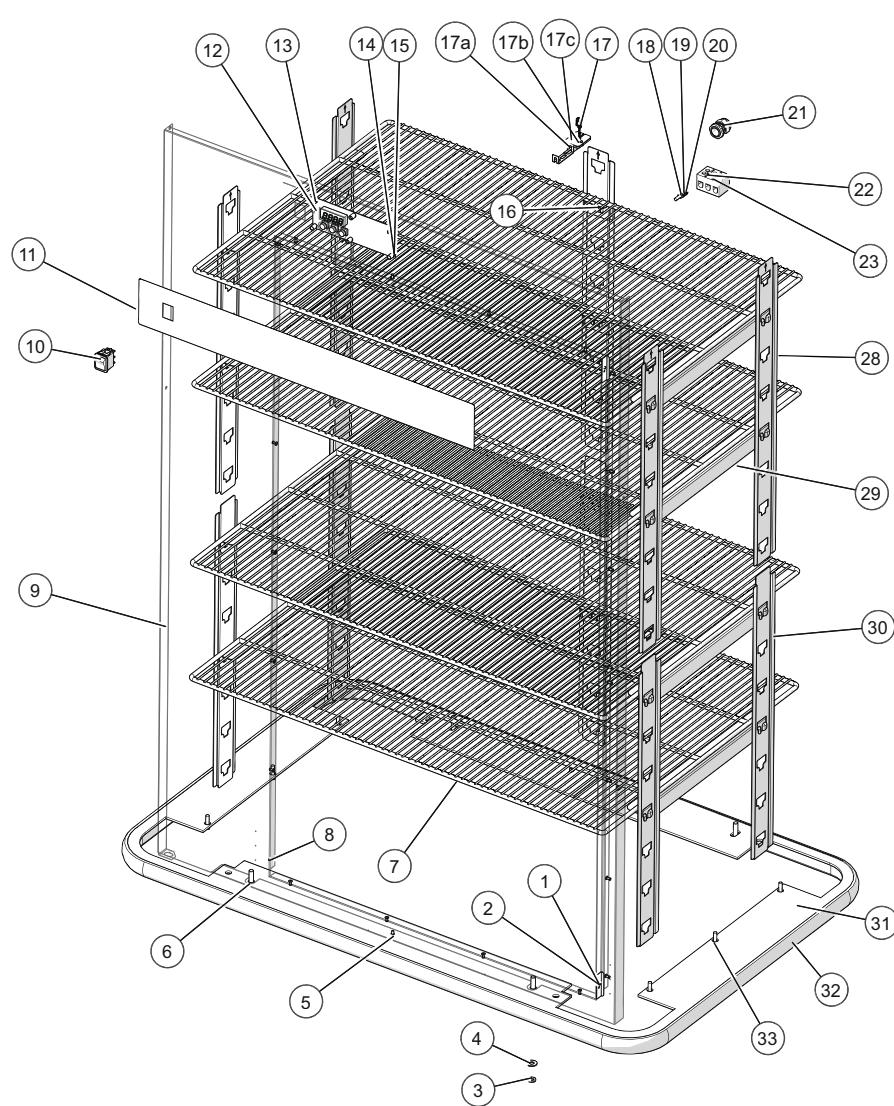
ID	Part No.	Description	Qty
1	RI-2097	#42 STAINLESS RIVET	3
2	1012115	BQ96 FRONT TRIM DUST COVER	2
3	WS-23725	5/16 FLAT WASHER	4
4	WS-2867	WASHER, LOCK, 5/16 DIA.	4
5	SC-22273	SCREW,M4x0.7X10MM PAN	3
6	SC-22279	SCREW, M8x1.25x30MM HEX	4
7	SH-22727	SHELF, NICKEL CHROME, BQ128	4
8	RI-2100	RIVET,BLIND,#44,STNLS	26
9	SW-38665	SWITCH,ROCKER,DPDT,20A,125V,	1
10	PE-48062	PANEL,OVERLAY,ELAN,BQ2/96,128,	1
11	5013403	BQ128 FRONT TRIM STUD ASSB	1
12	NU-2361	NUT, 6-32 HEX, S/S	4
13	CC-34970	ELAN WARMER CONTROL, PUSHBUTTON	1
14	WS-23148	WASHER, 6-32, FLAT, NYL	4
15	SP-29392	SPACER, SNAP-IN, 7/16"	6
16	11533	CLIP,SHELF	4
17	SN-38111	SENSOR, 1000 OHM, 110" WIRE,	1
17a	1493	GUARD SENSOR,W/MW	1
17b	BK-29605	BLOCK, SENSOR, ELEC. CONTROL	1
17c	SC-22271	SCREWS,M4-0.7X6MM PHIL	2
19	NU-36234	NUT, M5, KEPS	3
20	WS-2467	WASHER, INT. LOCK	1
21	SC-38128	SCREW,PAN PH, METRIC, M5	1
22	PG-25574	3/8" HOLE PLUG	1
23	BU-3964	BUSHING,STRAIGHT,STRAIN RELIEF	1
24	SC-2365	SCREW,6-32X1-1/4,NC PHILLIPS	2
25	BK-3019	T-BLOCK	1
26	1061	SHELF SLIDE	8
27	1012308	BQ TOP CLIP SUPPORT	5
28	1015195	BRACKET, SUPPORT BOTTOM CLIP	5
29	BM-28030	BUMPER, BQ-128	1
30	BM-24766	BUMPER,PERIMETER,RUBBER	1
31	SC-28256	SCREW, M6X1X20MM HEX FLG	6

## Electrical Package B, 1000-BQ2/128 (208/240V)



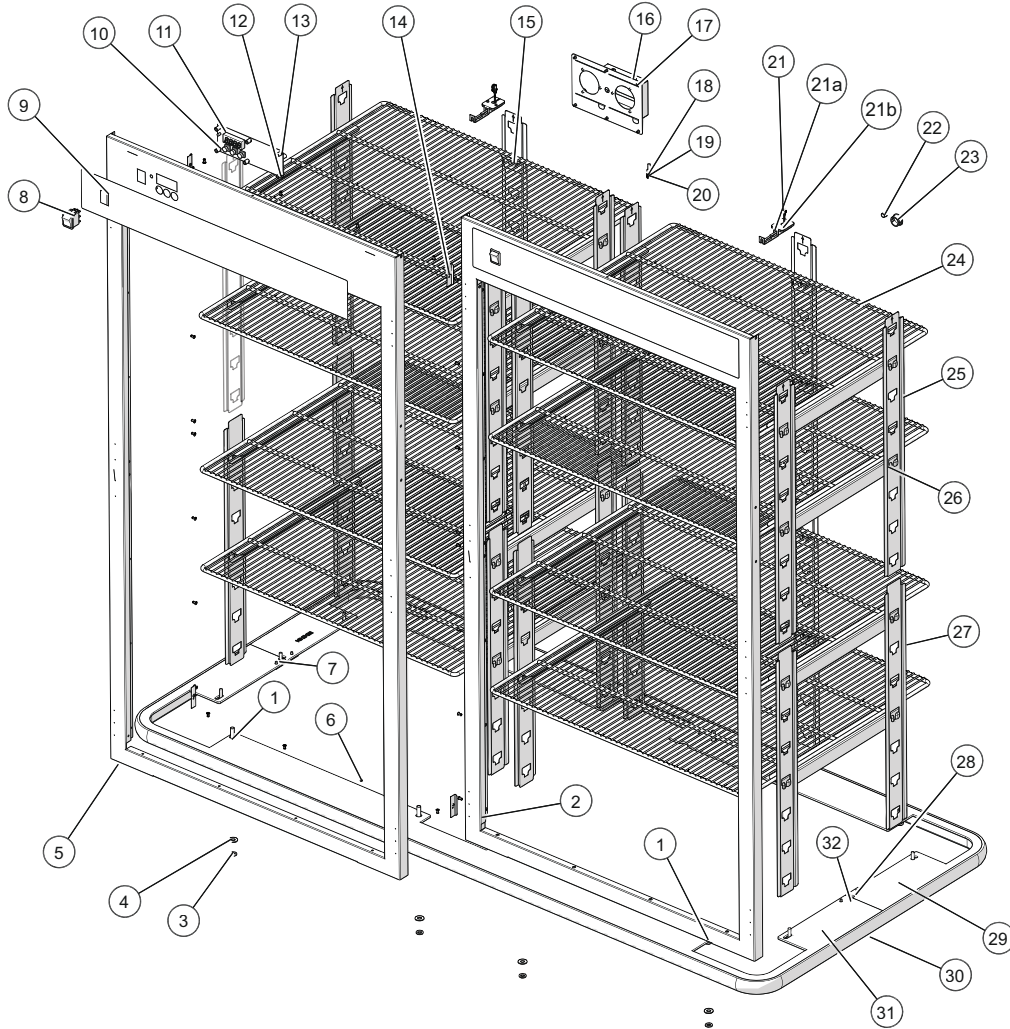
ID	Part No.	Description	Qty
1	1012115	BQ96 FRONT TRIM DUST COVER	2
2	WS-2867	WASHER, LOCK, 5/16 DIA.	4
3	WS-23725	5/16 FLAT WASHER	4
4	SC-22273	SCREW,M4x0.7X10MM PAN	3
5	RI-2100	RIVET,BLIND,#44,STNLS	26
6	SH-22727	SHELF, NICKEL CHROME, BQ128	4
7	SW-38665	SWITCH,ROCKER,DPDT,20A,125V,	1
8	PE-48062	PANEL,OVERLAY,ELAN,BQ2/96,128,	1
9	5013403	BQ128 FRONT TRIM STUD ASSB	1
10	RI-2097	#42 STAINLESS RIVET	3
11	CC-34970	ELAN WARMER CONTROL, PUSHBUTTON	1
12	WS-23148	WASHER, 6-32, FLAT, NYL	4
13	NU-2361	NUT, 6-32 HEX, S/S	4
14	SP-29392	SPACER, SNAP-IN, 7/16"	6
15	11533	CLIP,SHELF	4
16	SN-38111	SENSOR, 1000 OHM, 110" WIRE,	1
16a	1493	GUARD SENSOR,W/MW	1
16b	BK-29605	BLOCK, SENSOR, ELEC. CONTROL	1
16c	SC-22271	SCREWS,M4-0.7X6MM PHIL	2
17	WS-2467	WASHER, INT. LOCK	1
18	NU-36234	NUT, M5, KEPS	3
19	PG-25574	3/8" HOLE PLUG	1
20	BU-3964	BUSHING,STRAIGHT,STRAIN RELIEF	1
21	SC-38128	SCREW,PAN PH, METRIC, M5	1
22	SC-2365	SCREW,6-32X1-1/4,NC PHILLIPS	2
23	BK-3019	T-BLOCK	1
24	1012308	BQ TOP CLIP SUPPORT	5
25	1061	SHELF SLIDE	8
26	1015195	BRACKET, SUPPORT BOTTOM CLIP	5
27	SC-22279	SCREW, M8x1.25x30MM HEX	4
28	BM-28030	BUMPER, BQ-128	1
29	BM-24766	BUMPER,PERIMETER,RUBBER	1
30	SC-28256	SCREW, M6X1X20MM HEX FLG	4

# Electrical Package C, 1000-BQ2/128 (230V)



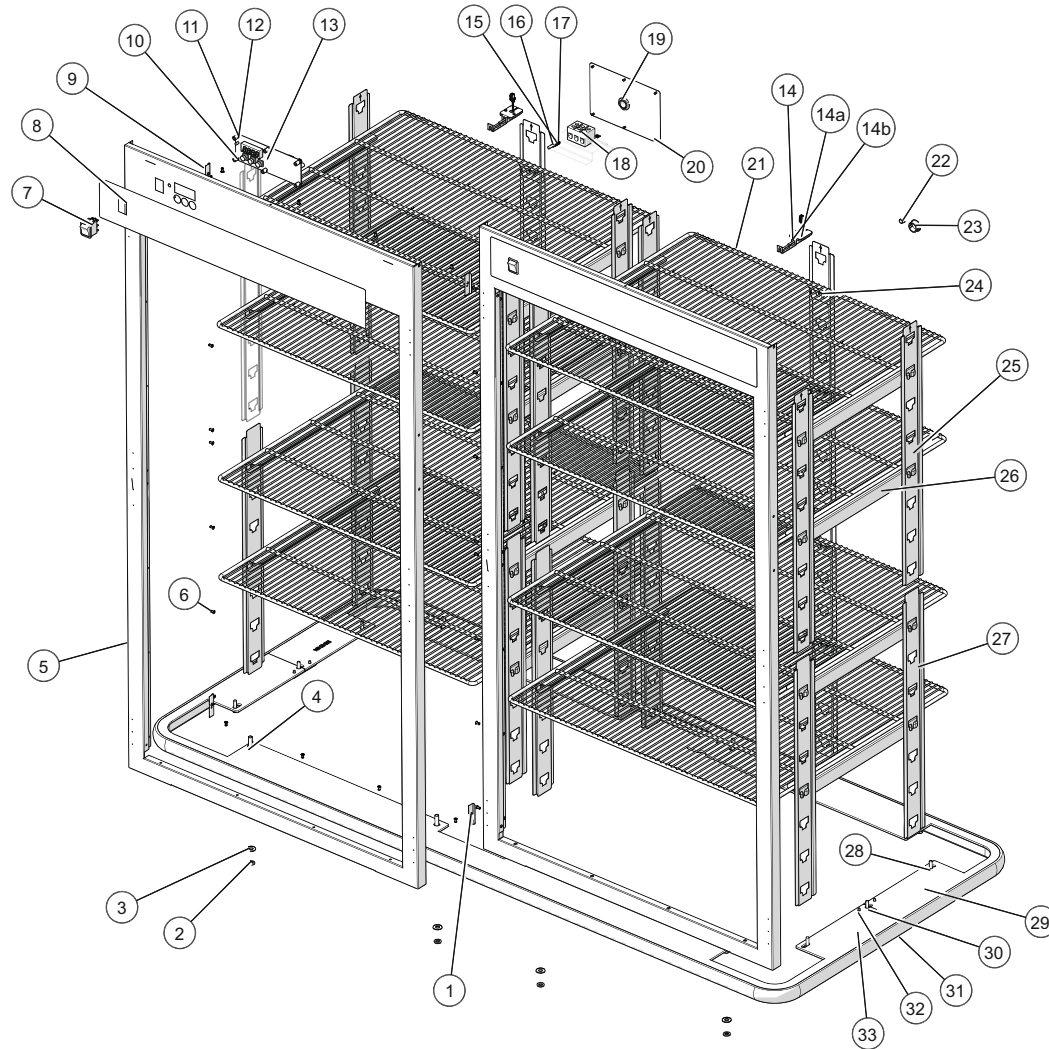
ID	Part No.	Description	Qty
1	RI-2097	#42 STAINLESS RIVET	3
2	1012115	BQ96 FRONT TRIM DUST COVER	2
3	WS-2867	WASHER, LOCK, 5/16 DIA.	4
4	WS-23725	5/16 FLAT WASHER	4
5	SC-22273	SCREW, M4x0.7X10MM PAN	3
6	SC-22279	SCREW, M8x1.25x30MM HEX	4
7	SH-22727	SHELF, NICKEL CHROME, BQ128	4
8	RI-2100	RIVET, BLIND, #44, STNLS	26
9	5013403	BQ128 FRONT TRIM STUD ASSB	1
10	SW-38665	SWITCH, ROCKER, DPDT, 20A, 125V,	1
11	PE-48062	PANEL, OVERLAY, ELAN, BQ2/96, 128,	1
12	CC-34970	ELAN WARMER CONTROL, PUSHBUTTON	1
13	SP-29392	SPACER, SNAP-IN, 7/16"	6
14	NU-2361	NUT, 6-32 HEX, S/S	4
15	WS-23148	WASHER, 6-32, FLAT, NYL	4
16	11533	CLIP, SHELF	4
17	SN-38111	SENSOR, 1000 OHM, 110" WIRE,	1
17a	1493	GUARD SENSOR, W/MW	1
17b	BK-29605	BLOCK, SENSOR, ELEC. CONTROL	1
17c	SC-22271	SCREWS, M4-0.7X6MM PHIL	2
18	NU-36234	NUT, M5, KEPS	3
19	SC-38128	SCREW, PAN PH, METRIC, M5	1
20	WS-2467	WASHER, INT. LOCK	1
21	BU-3964	BUSHING, STRAIGHT, STRAIN RELIEF	1
22	SC-23665	SCREW, 6-32X1-1/4, NC PHILLIPS	2
23	BK-3019	T-BLOCK	1
24	WS-22302	WASHER, SPLIT LOCK	2
25	SC-22924	HHCS, M6 X 20, W/NO MARKING	1
26	WS-22297	WASHER, FLAT	2
27	NU-22770	NUT, THREADED INSERT, M6	1
28	1012308	BQ TOP CLIP SUPPORT	5
29	1061	SHELF SLIDE	8
30	1015195	BRACKET, SUPPORT BOTTOM CLIP	5
31	BM-24951	BUMPER BQ-128	1
32	BM-24766	BUMPER, PERIMETER, RUBBER	1
33	SC-28256	SCREW, M6X1X20MM HEX FLG	6

# Electrical Package A, 1000-BQ2/192 (120V)



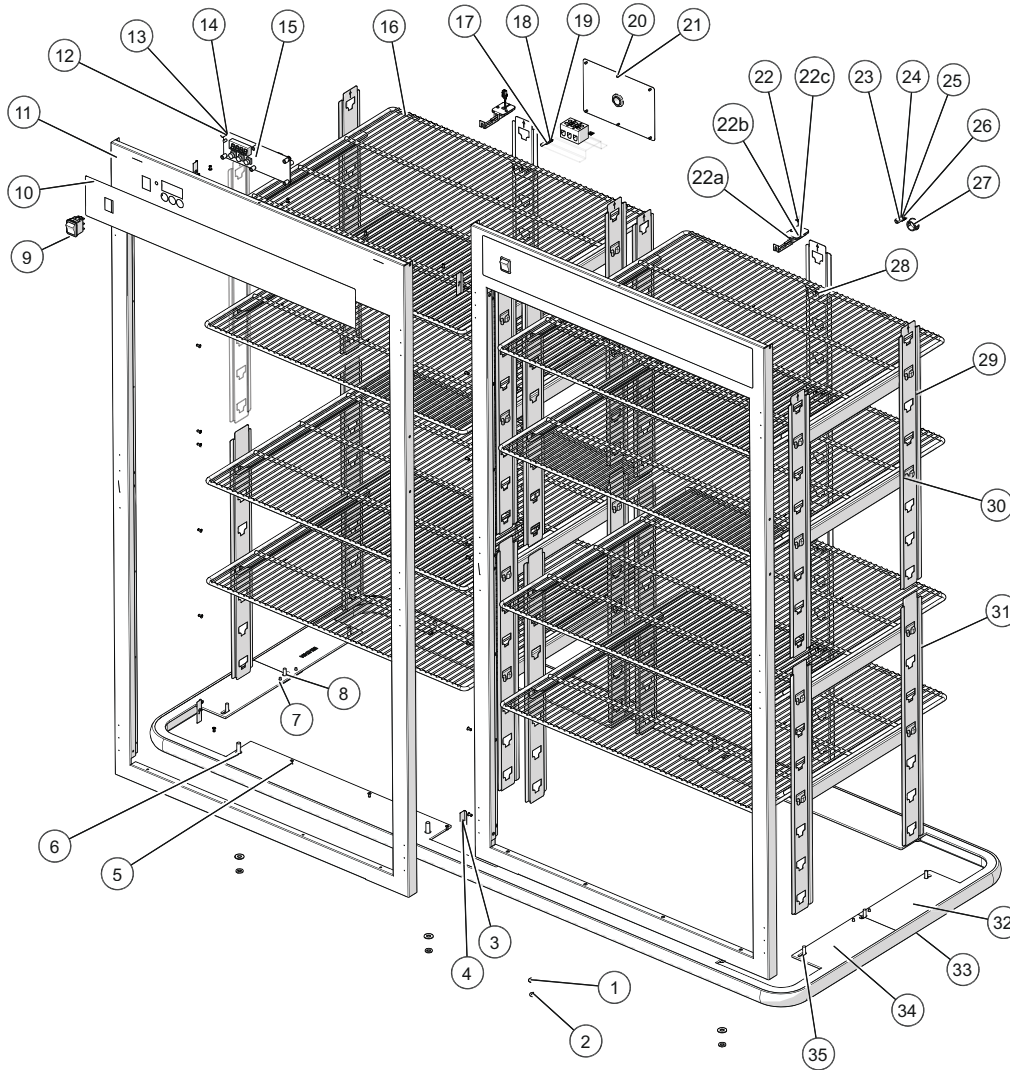
ID	Part No.	Description	Qty
1	<a href="#">SC-22279</a>	SCREW, M8x1.25x30MM HEX	8
2	RI-2097	#42 STAINLESS RIVET	8
3	<a href="#">WS-2867</a>	WASHER, LOCK, 5/16 DIA.	8
4	<a href="#">WS-23725</a>	5/16 FLAT WASHER	8
5	5013358	BQ96 FRONT TRIM STUD ASSB	2
6	RI-2100	RIVET,BLIND,#44,STNLS	56
7	<a href="#">SC-28256</a>	SCREW, M6X1X20MM HEX FLG	6
8	<a href="#">SW-38665</a>	SWITCH,ROCKER,DPDT,20A,125V,	2
9	PE-48062	PANEL,OVERLAY,ELAN,BQ2/96,128,	2
10	<a href="#">WS-23148</a>	WASHER, 6-32, FLAT, NYL	8
11	<a href="#">CC-34970</a>	ELAN WARMER CONTROL	2
12	<a href="#">SP-29392</a>	SPACER, SNAP-IN, 7/16"	12
13	<a href="#">NU-2361</a>	NUT, 6-32 HEX, S/S	8
14	1012115	BQ96 FRONT TRIM DUST COVER	8
15	11533	CLIP,SHELF	8
16	<a href="#">5811</a>	INLET ASSEMBLY, CORD	1
17	RI-2094	RIVET,BLIND,#43,LRG FLG,STNLS,	6
18	<a href="#">NU-36234</a>	NUT, M5, KEPS	3
19	SC-38128	SCREW,PAN PH, METRIC, M5	1
20	<a href="#">WS-2467</a>	WASHER, INT. LOCK	1
21	<a href="#">SN-38111</a>	SENSOR	2
21a	<a href="#">1493</a>	GUARD SENSOR,W/MMW	2
21b	<a href="#">BK-29605</a>	BLOCK, SENSOR, ELEC. CONTROL	2
22	<a href="#">PG-25574</a>	3/8" HOLE PLUG	1
23	PG-3559	PLUG, 7/8" HOLE, NYLON, BLACK	1
24	<a href="#">SH-2835</a>	SHELF, NICKEL CHROME, BQ	8
25	<a href="#">1012308</a>	BQ TOP CLIP SUPPORT	10
26	<a href="#">1061</a>	SHELF SLIDE	16
27	<a href="#">1015195</a>	BRACKET, SUPPORT BOTTOM CLIP	10
28	<a href="#">SC-22273</a>	SCREW,M4x0.7X10MM PAN	4
29	<a href="#">BM-27494</a>	BQ/192 REAR BUMPER HALF	1
30	<a href="#">BM-24766</a>	BUMPER,PERIMETER,RUBBER	1
31	<a href="#">BM-27495</a>	BQ/192 FRONT BUMPER	1
32	1007053	BRACKET, SEAM	2

# Electrical Package B, 1000-BQ2/192 (208/240V)



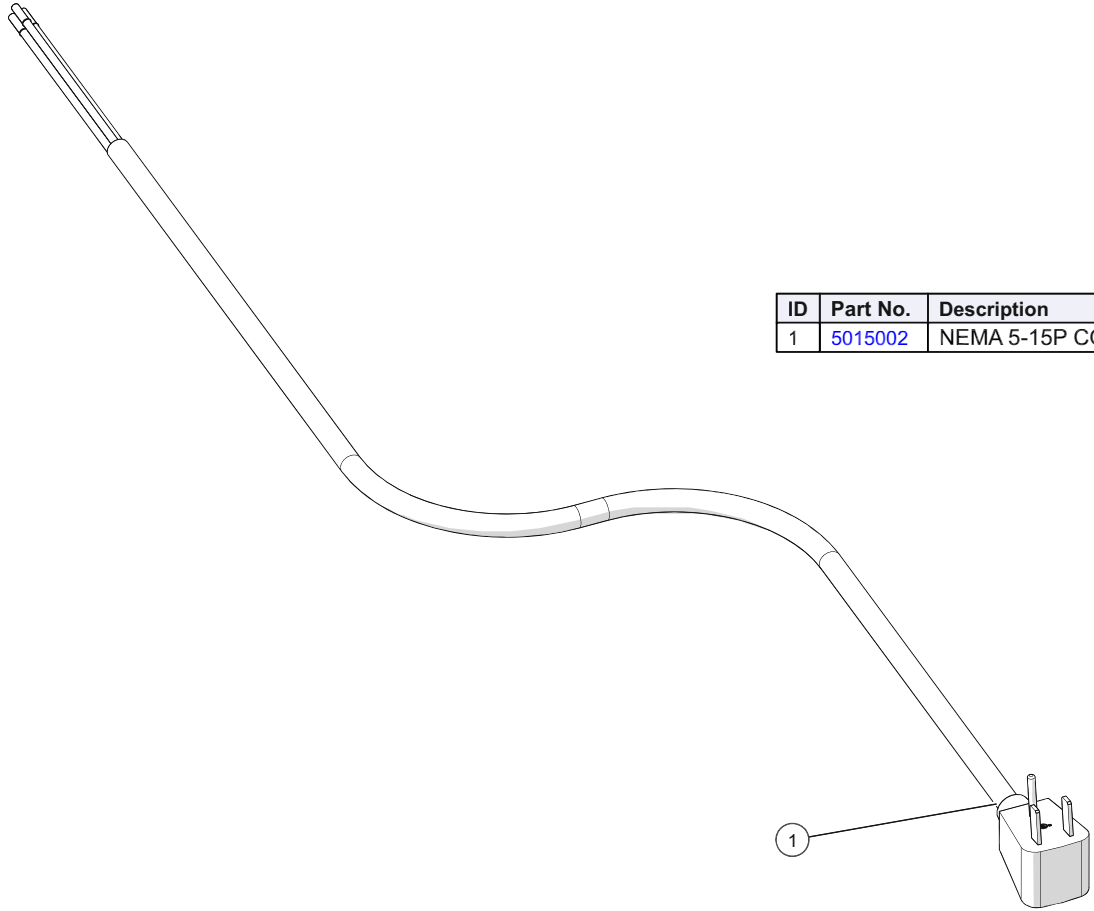
ID	Part No.	Description	Qty
1	RI-2097	#42 STAINLESS RIVET	8
2	<a href="#">WS-2867</a>	WASHER, LOCK, 5/16 DIA.	8
3	<a href="#">WS-23725</a>	5/16 FLAT WASHER	8
4	SC-22279	SCREW, M8x1.25x30MM HEX	8
5	5013358	BQ96 FRONT TRIM STUD ASSB	2
6	RI-2100	RIVET,BLIND,#44,STNLS	56
7	<a href="#">SW-38665</a>	SWITCH,ROCKER,DPDT,20A,125V,	2
8	PE-48062	PANEL,OVERLAY,ELAN,BQ2/96,128,	2
9	1012115	BQ96 FRONT TRIM DUST COVER	8
10	<a href="#">SP-29392</a>	SPACER, SNAP-IN, 7/16"	12
11	<a href="#">WS-23148</a>	WASHER, 6-32, FLAT, NYL	8
12	NU-2361	NUT, 6-32 HEX, S/S	8
13	<a href="#">CC-34970</a>	ELAN WARMER CONTROL	2
14	<a href="#">SN-38111</a>	SENSOR	2
14a	BK-29605	BLOCK, SENSOR, ELEC. CONTROL	2
14b	<a href="#">1493</a>	GUARD SENSOR,W/MW	2
15	SC-38128	SCREW,PAN PH, METRIC, M5	1
16	<a href="#">NU-36234</a>	NUT, M5, KEPS	3
17	<a href="#">WS-2467</a>	WASHER, INT. LOCK	1
18	BK-3019	T-BLOCK	1
19	1012188	BQ192 CORD PLATE	1
20	RI-2094	RIVET,BLIND,#43,LRG FLG,STNLS,	6
21	<a href="#">SH-2835</a>	SHELF, NICKEL CHROME, BQ	8
22	PG-25574	3/8" HOLE PLUG	1
23	<a href="#">PG-3559</a>	PLUG, 7/8" HOLE, NYLON, BLACK	1
24	<a href="#">11533</a>	CLIP,SHELF	8
25	<a href="#">1012308</a>	BQ TOP CLIP SUPPORT	10
26	<a href="#">1061</a>	SHELF SLIDE	16
27	<a href="#">1015195</a>	BRACKET, SUPPORT BOTTOM CLIP	10
28	<a href="#">SC-28256</a>	SCREW, M6X1X20MM HEX FLG	6
29	<a href="#">BM-27494</a>	BQ192 REAR BUMPER HALF	1
30	1007053	BRACKET, SEAM	2
31	<a href="#">BM-24766</a>	BUMPER,PERIMETER,RUBBER	1
32	<a href="#">SC-22273</a>	SCREW,M4x0.7X10MM PAN	4
33	<a href="#">BM-27495</a>	BQ192 FRONT BUMPER	1

# Electrical Package C, 1000-BQ2/192 (230V)



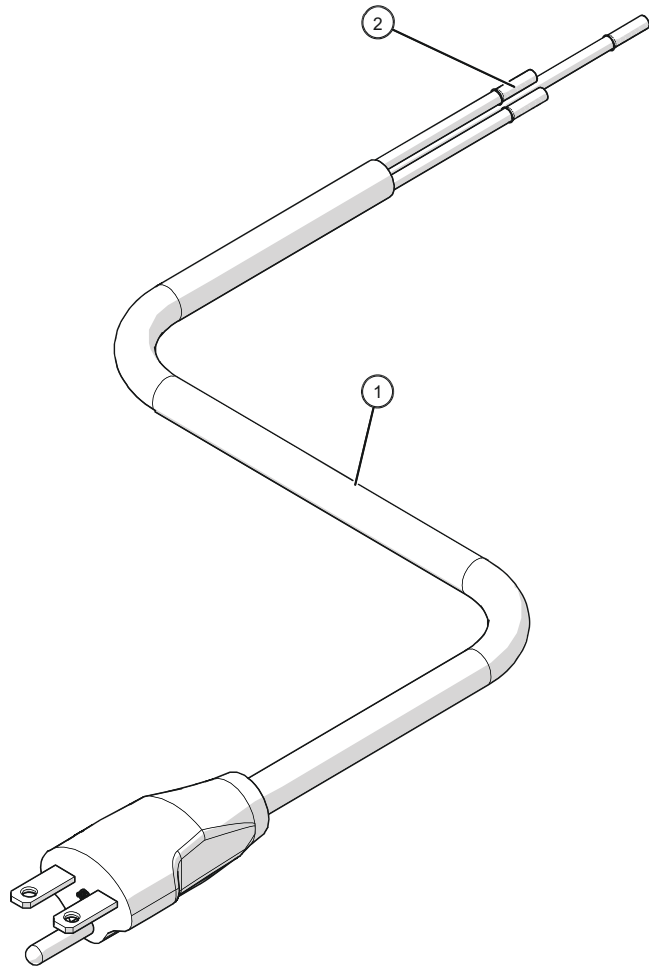
ID	Part No.	Description	Qty
1	WS-23725	5/16 FLAT WASHER	8
2	WS-2867	WASHER, LOCK, 5/16 DIA.	8
3	RI-2097	#42 STAINLESS RIVET	8
4	1012115	BQ96 FRONT TRIM DUST COVER	8
5	RI-2100	RIVET,BLIND,#44,STNLS	56
6	SC-22279	SCREW, M8x1.25x30MM HEX	8
7	SC-22273	SCREW,M4x0.7X10MM PAN	4
8	1007053	BRACKET, SEAM	2
9	SW-38665	SWITCH,ROCKER,DPDT,20A,125V,	2
10	PE-48062	PANEL,OVERLAY,ELAN,BQ2/96,128,	2
11	5013358	BQ96 FRONT TRIM STUD ASSB	2
12	SP-29392	SPACER, SNAP-IN, 7/16"	12
13	WS-23148	WASHER, 6-32, FLAT, NYL	8
14	NU-2361	NUT, 6-32 HEX, S/S	8
15	CC-34970	ELAN WARMER CONTROL	2
16	SH-2835	SHELF, NICKEL CHROME, BQ	8
17	NU-36234	NUT, M5, KEPS	3
18	SC-38128	SCREW,PAN PH, METRIC, M5	1
19	WS-2467	WASHER, INT. LOCK	1
20	1012188	BQ192 CORD PLATE	1
21	RI-2094	RIVET,BLIND,#43,LRG FLG,STNLS,	6
22	SN-38111	SENSOR, 1000 OHM, 110" WIRE	4
22a	1493	GUARD SENSOR,W/MW	2
22b	BK-29605	BLOCK, SENSOR, ELEC. CONTROL	2
22c	SC-22271	SCREWS,M4-0.7X6MM PHIL	4
23	NU-22770	NUT, THREADED INSERT, M6	1
24	WS-22297	WASHER, FLAT	2
25	WS-22302	WASHER, SPLIT LOCK	2
26	SC-22924	HHCS, M6 X 20, W/NO MARKING	1
27	PG-3559	PLUG, 7/8" HOLE, NYLON, BLACK	1
28	11533	CLIP,SHELF	8
29	1012308	BQ TOP CLIP SUPPORT	10
30	1061	SHELF SLIDE	16
31	1015195	BRACKET, SUPPORT BOTTOM CLIP	10
32	BM-27494	BQ/192 REAR BUMPER HALF	1
33	BM-24766	BUMPER,PERIMETER,RUBBER	1
34	BM-28032	FRONT BUMPER BQ2 192 230V	1
35	SC-28256	SCREW, M6X1X20MM HEX FLG	6

# Cordset Assembly, NEMA 5-15P



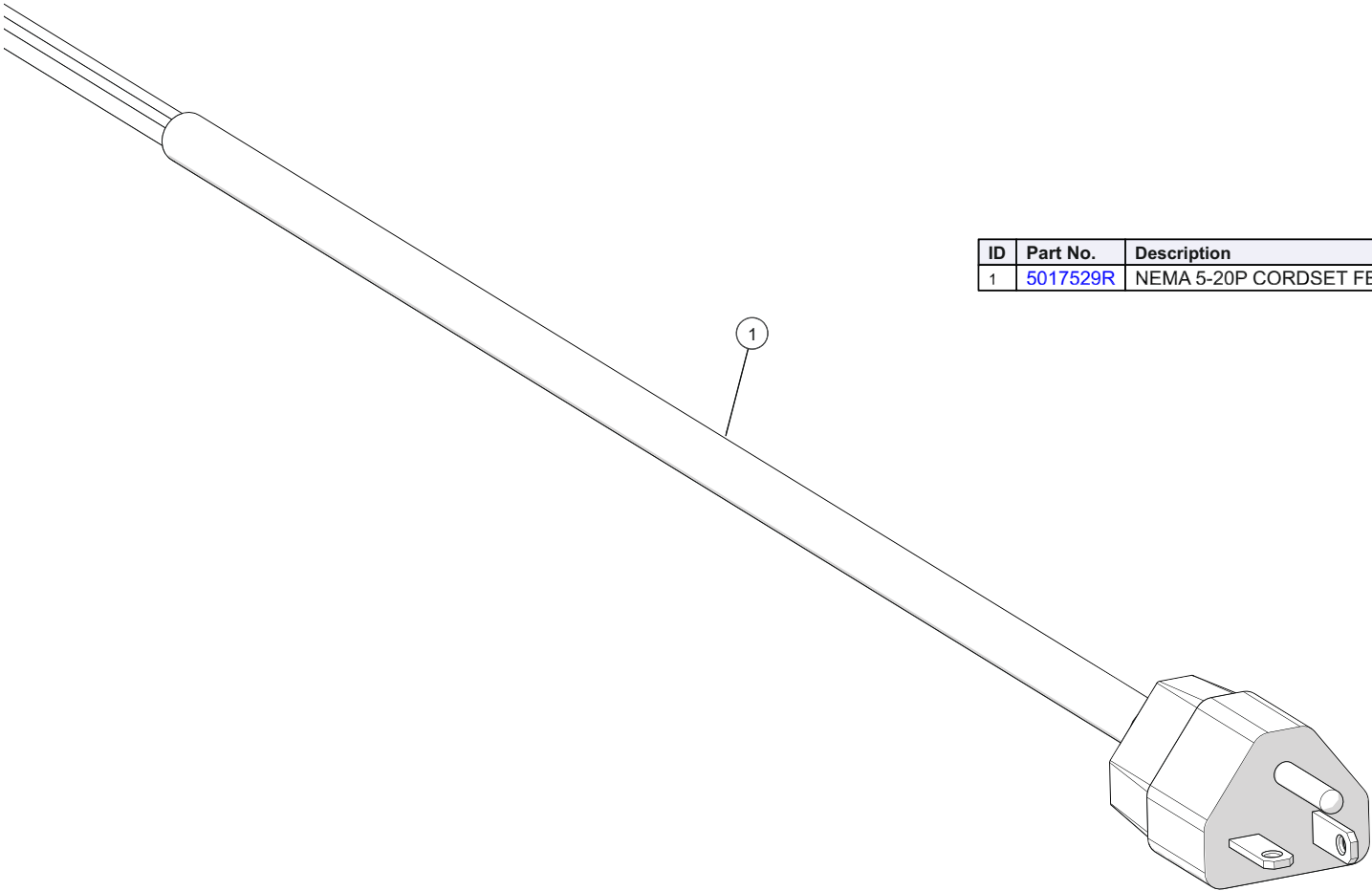
ID	Part No.	Description
1	5015002	NEMA 5-15P CORDSET FERRULE ASSEMBLY

## Cordset Assembly, NEMA 6-15P



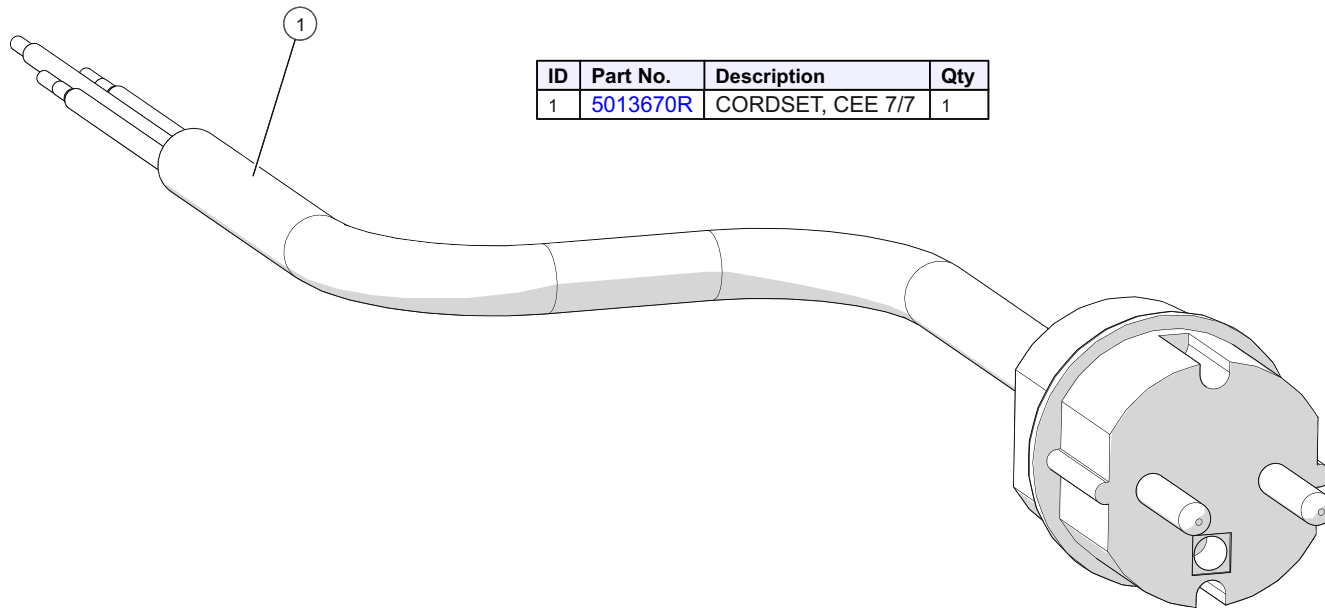
ID	Part No.	Description
1	<a href="#">CD-3551</a>	CORDSET, 14/3 SJTO, 250V
2	<a href="#">CR-34829</a>	CONNECTOR, #14 FERRULE

# Cordset Assembly, NEMA 5-20P



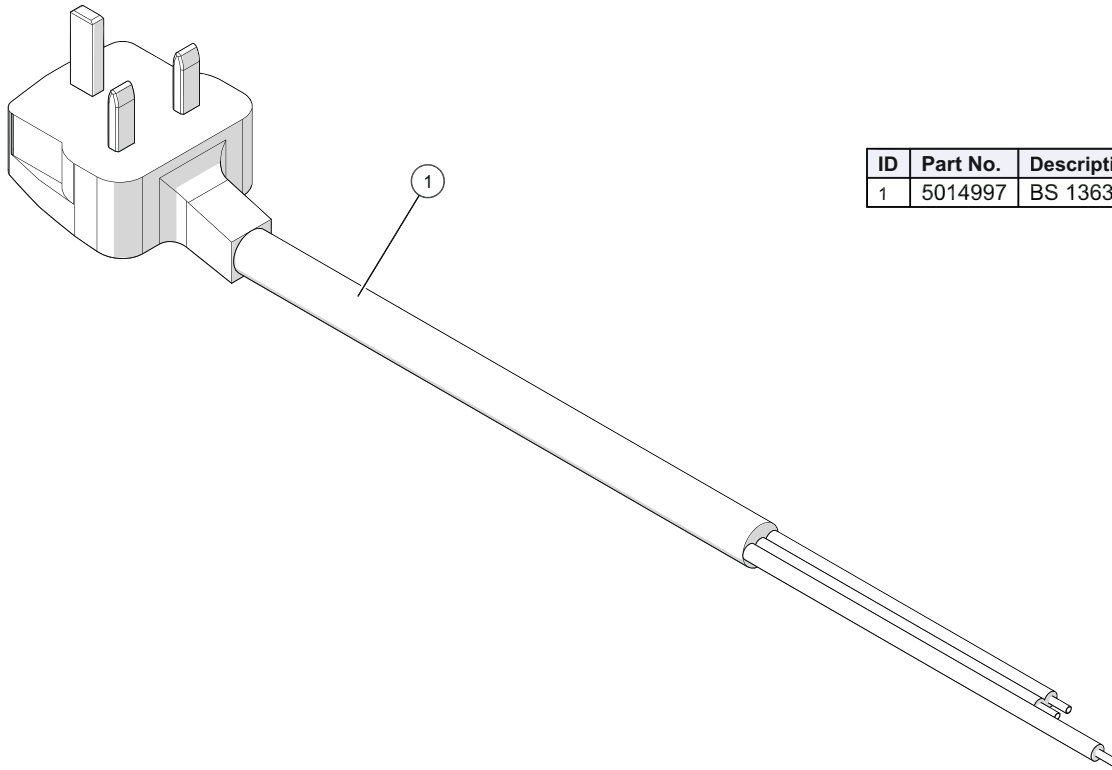
ID	Part No.	Description	Qty
1	5017529R	NEMA 5-20P CORDSET FERRULE ASSEMBLY	1

## Cordset Assembly, CEE 7/7



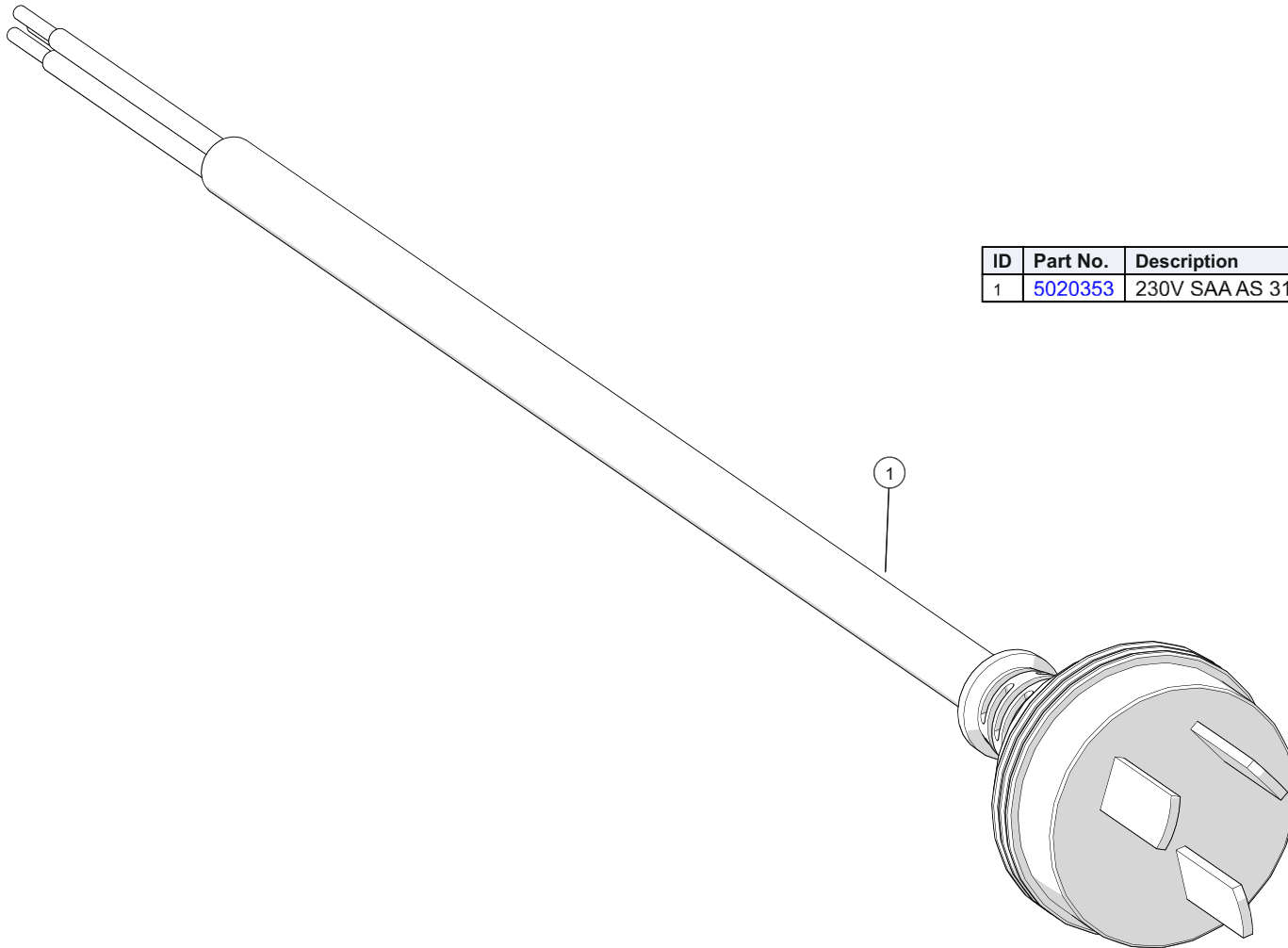
ID	Part No.	Description	Qty
1	5013670R	CORDSET, CEE 7/7	1

## Cordset Assembly, BS 1363



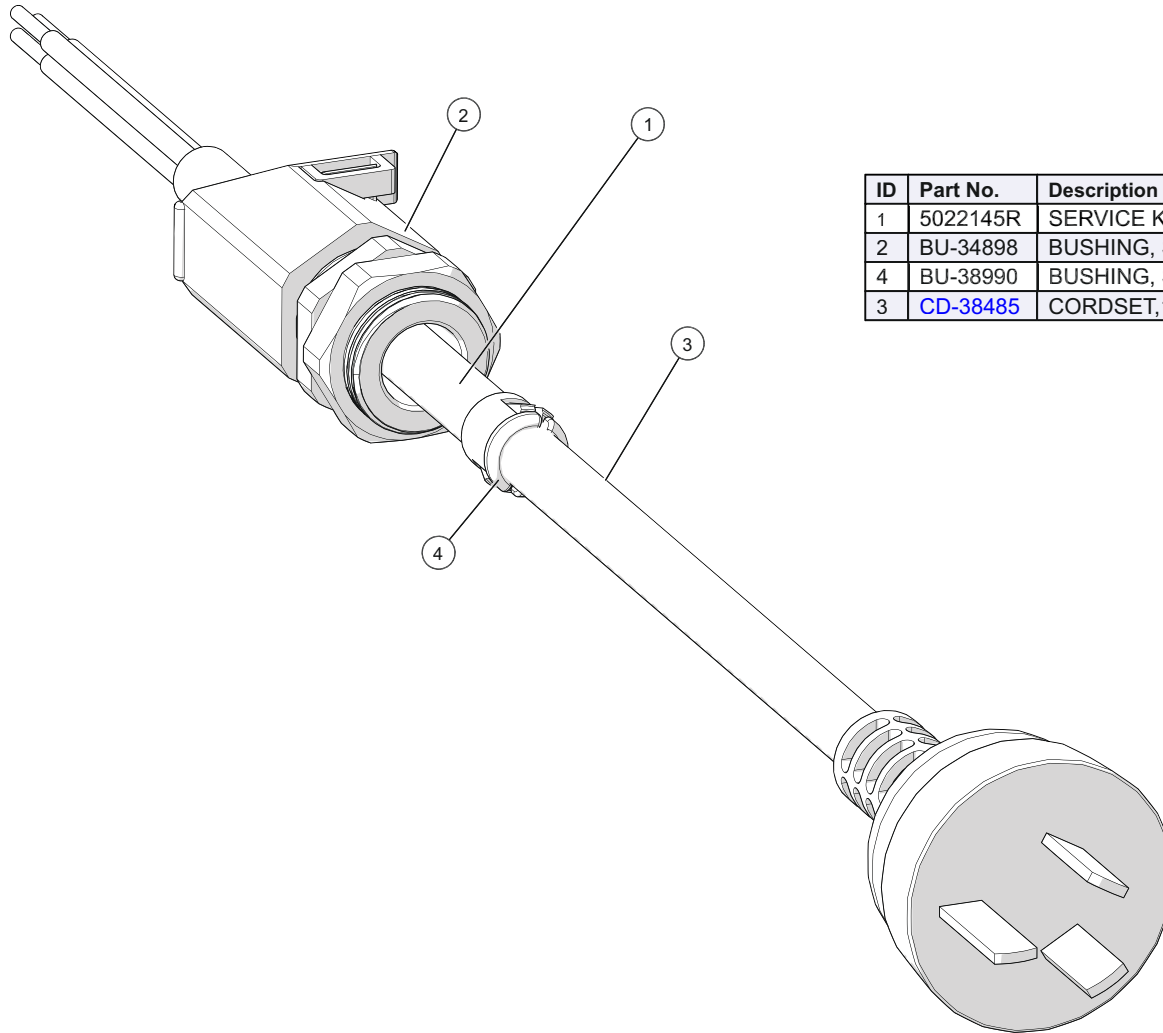
ID	Part No.	Description	Qty
1	5014997	BS 1363 CORDSET	1

## Cordset Assembly, SAA AS 3112-16P



ID	Part No.	Description	Qty
1	<a href="#">5020353</a>	230V SAA AS 3112-16P CORDSET	1

## Cordset Assembly, AS/NZS 3112:2000 10A-250V



ID	Part No.	Description	Qty
1	5022145R	SERVICE KIT, CORDSET,10A-250V	1
2	BU-34898	BUSHING, STRAIN RELIEF, 90°, BLK	1
4	BU-38990	BUSHING, SNUB, 3/16" CABLE	1
3	<a href="#">CD-38485</a>	CORDSET,10A-250V	1



# ALTO-SHAAM.

Menomonee Falls, WI U.S.A.

Phone 800-558-8744 | +1-262-251-3800 | alto-shaam.com

## ASIA

Shanghai, China  
Phone +86-21-6173-0336

## AUSTRALIA

Brisbane, Queensland  
Phone 800-558-8744

## CANADA

Concord, Ontario Canada  
Toll Free Phone 866-577-4484  
Phone +1-905-660-6781

## FRANCE

Aix en Provence, France  
Phone +33(0)4-88-78-21-73

## GMBH

Bochum, Germany  
Phone +49 (0)234 298798-0

## ITALY

Padua, Italy  
Phone +39 3476073504

## INDIA

Pune, India  
Phone +91 9657516999

## MEXICO

Phone +52 1 477-717-3108

## MIDDLE EAST & AFRICA

Dubai, UAE  
Phone +971-4-321-9712

## CENTRAL & SOUTH AMERICA

Miami, FL USA  
Phone +1 954-655-5727

## RUSSIA

Moscow, Russia  
Phone +7 903 7932331