

Hot Food Holding Cabinets

1000-BQ2/96
1000-BQ2/128
1000-BQ2/192



Manufacturer's Information

Copyright

© Copyright 09/23 by Alto-Shaam, Inc.
 All rights reserved.
 This manual or any portion thereof may not be reproduced or used in any manner whatsoever without the express written permission of Alto-Shaam, Inc

Trademarks

All trademarks referenced in this documentation are the property of their respective owners.

Manufacturer

Alto-Shaam, Inc.
 P.O. Box 450
 W164 N9221 Water Street
 Menomonee Falls, WI 53052

Models Covered

<p>1000-BQ2/96 1000-BQ2/128 1000-BQ2/192</p>	<p>Heated Holding Cabinets</p>
---	--------------------------------

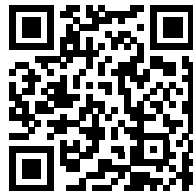
Serial Number

The unit serial number is required for identifying and ordering the correct service parts.
 Record the unit serial number below for reference.

Serial Number
Empty box for recording the serial number

Parts Finder Tool

Interactive diagrams from this Parts Manual are available online at our Parts Finder Tool:
<https://www.alto-shaam.com/en/customer-support/parts>.
 Or, scan the QR code below.



Parts Ordering Information

Original manufacturer's replacement parts may be ordered directly from the Alto-Shaam network of Authorized Service Agents and Parts Distributors. Follow this link for a map to a local partner: <https://www.alto-shaam.com/en/how-to-buy>. If you are an Authorized Service Agent or Parts Distributor, please submit your purchase order to parts@alto-shaam.com.

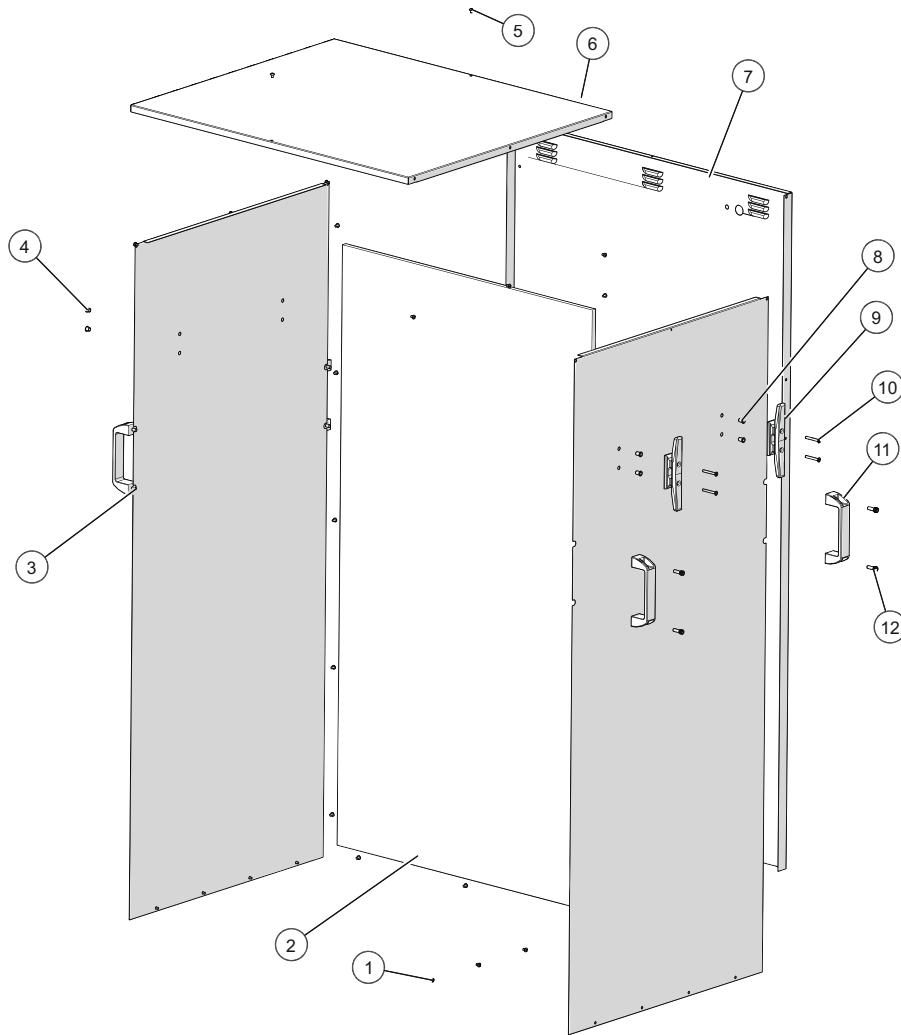
Non-OEM parts may be substituted; however, these parts must be of equal quality and specifications as those provided by Alto-Shaam.

Table of Contents

- Manufacturer's Information.....2
- Table of Contents3
- Exterior Package, 1000-BQ2/964
- Exterior Package, 1000-BQ2/1285
- Exterior Package, 1000-BQ2/1926
- Cavity Package A, 1000-BQ2/96 (120V)7
- Cavity Package B, 1000-BQ2/96 (208/240V, 230V).....8
- Cavity Package C, 1000-BQ2/96 (208/240V, 230V w/hitch).....9
- Cavity Package D, 1000-BQ2/96 (125V w/hitch)..... 10
- Cavity Package A, 1000-BQ2/128 (120V, 208/240V, 230V)..... 11
- Cavity Package D, 1000-BQ2/128 (120V, 208/240V, 230V w/hitch)..... 12
- Cavity Package A, 1000-BQ2/192 (120V) 13
- Cavity Package B, 1000-BQ2/192 (120V, 208/240V, 230V)..... 14
- Cavity Package C, 1000-BQ2/192 (120V, 208/240V, 230V w/hitch)..... 15
- Cavity Package D, 1000-BQ2/192 (125V w/hitch)..... 16
- Tube Cable Assembly, BQ2-96 and BQ2-192 (120V)..... 17
- Tube Cable Assembly, BQ2-96 and BQ2-192 (208/240V)..... 18
- Tube Cable Assembly, BQ2-128 (120V) 19
- Door Package A, 1000-BQ2/96..... 20
- Door Package B, 1000-BQ2/96..... 21
- Door Package C, 1000-BQ2/96..... 22
- Door Package A, 1000-BQ2/128..... 23
- Door Package B, 1000-BQ2/128..... 24
- Door Package C, 1000-BQ2/128..... 25
- Door Package A, 1000-BQ2/192..... 26
- Door Package B, 1000-BQ2/192..... 27
- Door Package B (split), 1000-BQ2/192..... 28
- Security Hardware Package 29
- Electrical Package A, 1000-BQ2/96 (120V)..... 30
- Electrical Package B, 1000-BQ2/96 (208/240V) 31
- Electrical Package C, 1000-BQ2/96 (230V)..... 32
- Electrical Package A, 1000-BQ2/128 (120V)..... 33
- Electrical Package B, 1000-BQ2/128 (208/240V) 34
- Electrical Package C, 1000-BQ2/128 (230V)..... 35
- Electrical Package A, 1000-BQ2/192 (120V)..... 36
- Electrical Package B, 1000-BQ2/192 (208/240V) 37
- Electrical Package C, 1000-BQ2/192 (230V)..... 38

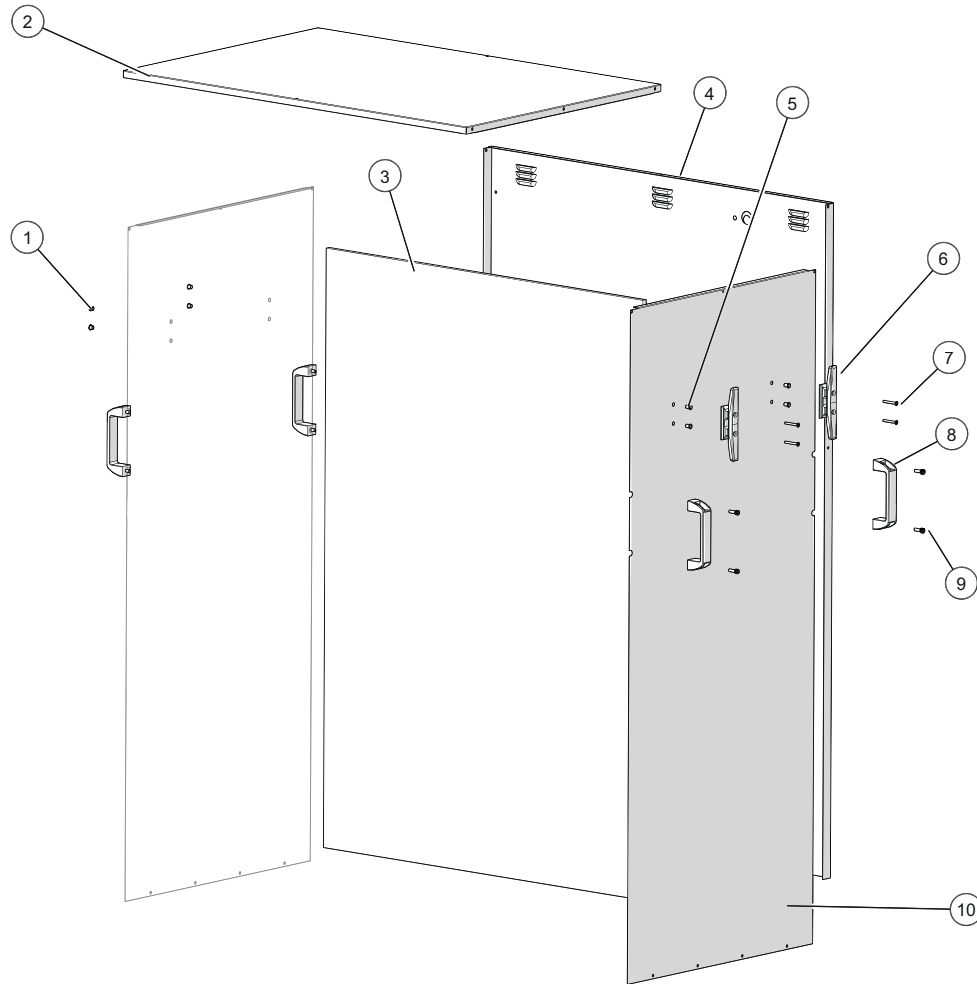
- Cordset Assembly, NEMA 5-15P39
- Cordset Assembly, NEMA 6-15P40
- Cordset Assembly, NEMA 5-20P41
- Cordset Assembly, CEE 7/742
- Cordset Assembly, BS 1363.....43
- Cordset Assembly, SAA AS 3112-16P44
- Cordset Assembly, AS/NZS 3112:2000 10A-250V45

Exterior Package, 1000-BQ2/96



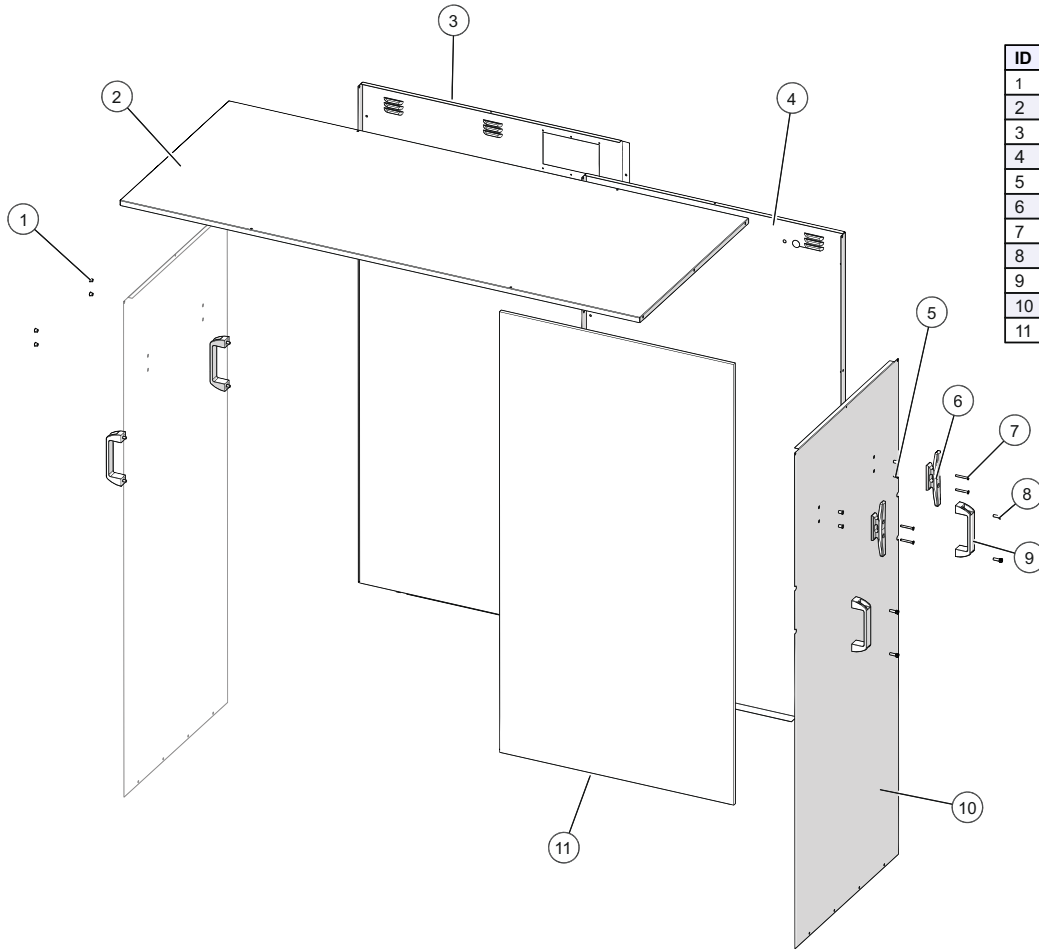
ID	Part No.	Description	Qty
1	SC-22271	SCREW,M4x0.7X6MM PAN	27
2	IN-2003	1/2" BOARD INSULATION	1
3	1012106	BQ SIDE PANEL	2
4	PG-25782	5/16" HOLE PLUG	4
5	SC-2459	8-32 x 1/4" PHIL SCREW	2
6	1012109	BQ96 TOP COVER	1
7	1012107	CASING BACK	1
8	HG-22672	10-32 THREADED INSERT	4
9	E2097HR	HANGER 6-1/2" ROPE CLEAT 7/16 BLACK NYLON	2
10	SC-2073	SCREW,10-32X1-1/2,NF,PHIL,FLAT M/S,18-8 S/S	4
11	HD-26792	HANDLE	4
12	SC-22339	1/4-20 X 3/4" SHCS PCN	8

Exterior Package, 1000-BQ2/128



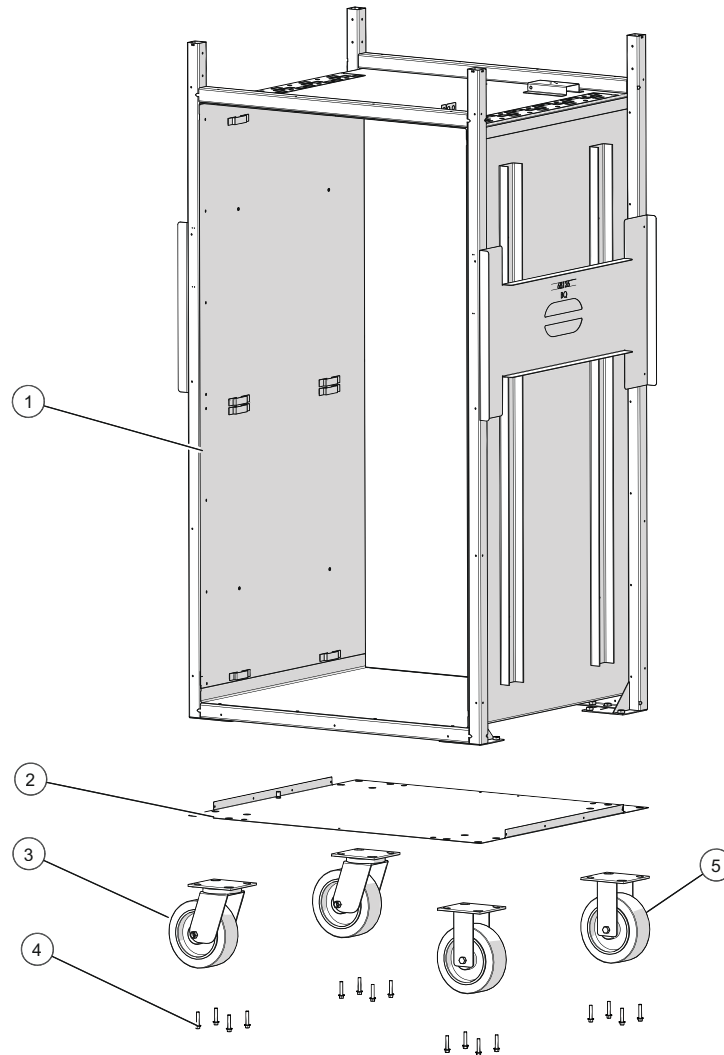
ID	Part No.	Description	Qty
1	PG-25782	5/16" HOLE PLUG	4
2	1012144	BQ128 TOP COVER	1
3	IN-2381	1/2" BOARD INSULATION 21 X 29	1
4	1012145	CASING BACK	1
5	HG-22672	10-32 THREADED INSERT	4
6	E2097HR	HANGER 6-1/2" ROPE CLEAT 7/16 BLACK NYLON	2
7	SC-2073	SCREW,10-32X1-1/2,NF,PHIL,FLAT M/S,18-8 S/S	4
8	HD-26792	HANDLE	4
9	SC-22339	SCREW, 1/4-20 X 3/4" SHCS PCN	8
10	1012106	BQ SIDE PANEL	2

Exterior Package, 1000-BQ2/192



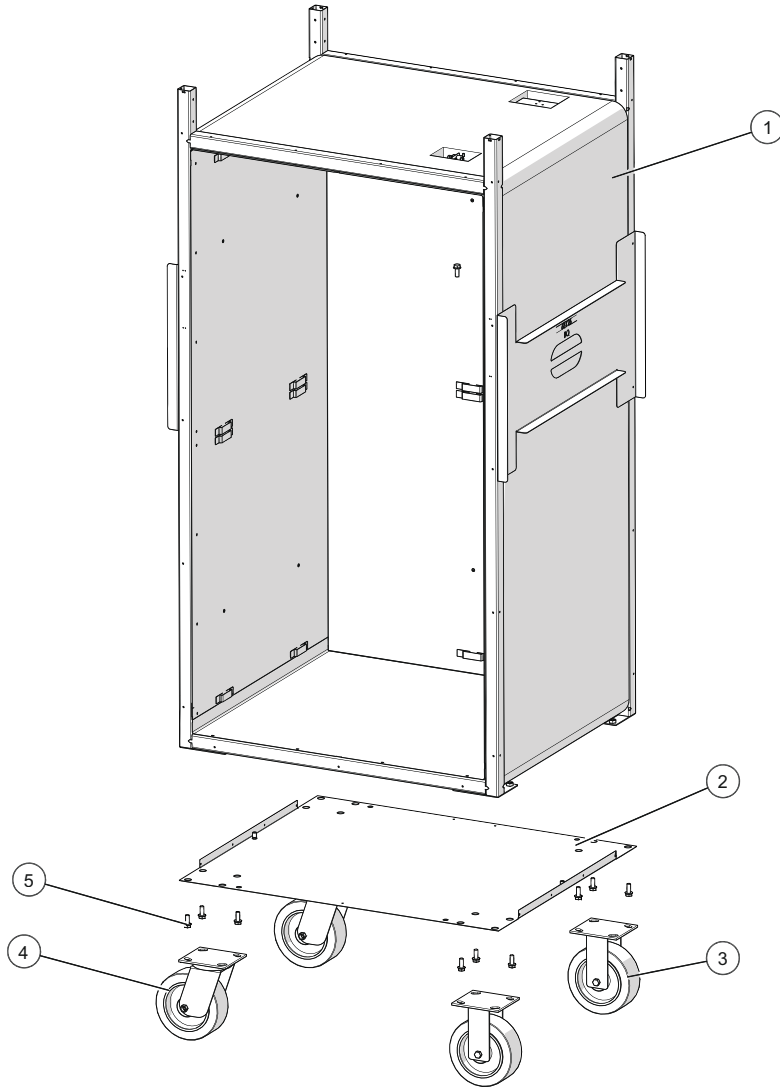
ID	Part No.	Description	Qty
1	PG-25782	5/16" HOLE PLUG	4
2	1012122	BQ192 TOP COVER	1
3	1012121	BQ192 BACK PANEL	1
4	1012107	CASING BACK	1
5	HG-22672	10-32 THREADED INSERT	4
6	E2097HR	HANGER 6-1/2" ROPE CLEAT 7/16 BLACK NYLON	2
7	SC-2073	SCREW, 10-32X1-1/2, NF, PHIL, FLAT M/S, 18-8 S/S	4
8	SC-22339	SCREW, 1/4-20 X 3/4" SHCS PCN	8
9	HD-26792	HANDLE	4
10	1012106	BQ SIDE PANEL	2
11	IN-2003	1/2" BOARD INSULATION	2

Cavity Package A, 1000-BQ2/96 (120V)



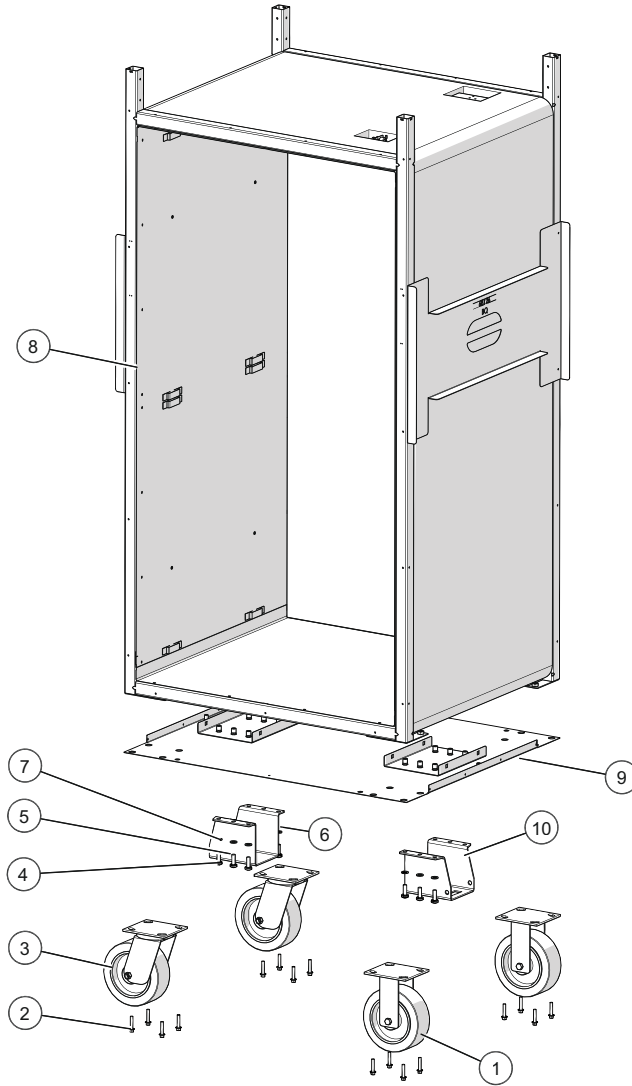
ID	Part No.	Description	Qty
1	5013357	TUBE CABLE ASSEMBLY	1
2	5013431	BQ96 BOTTOM PANEL WELD ASSB	1
3	CS-2231	6" CASTER, SWIVEL, PLATE	2
4	SC-27046	SCREW, M8X1.25X20MM HEX FLG	16
5	CS-2042	6"x2" RIGID CASTER	2

Cavity Package B, 1000-BQ2/96 (208/240V, 230V)



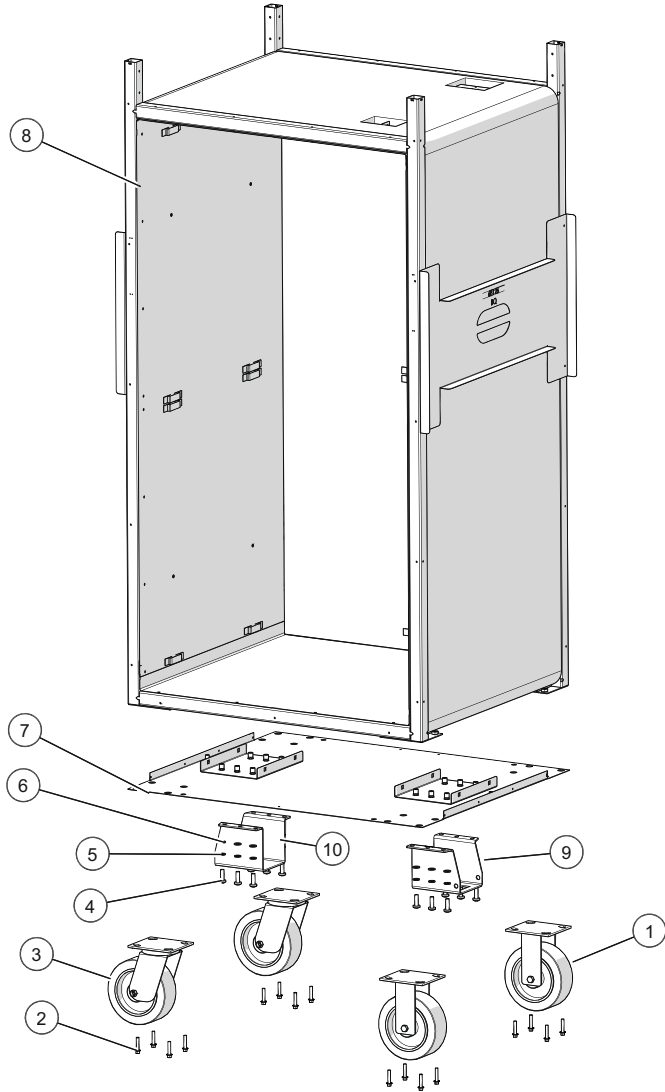
ID	Part No.	Description	Qty
1	5013415	TUBE CABLE ASSEMBLY	1
2	5013431	BQ96 BOTTOM PANEL WELD ASSB	1
3	CS-2042	6"x2" RIGID CASTER	2
4	CS-2231	6" CASTER, SWIVEL, PLATE	2
5	SC-27046	M8 X 16 HEX HEAD SCREW	16

Cavity Package C, 1000-BQ2/96 (208/240V, 230V w/hitch)



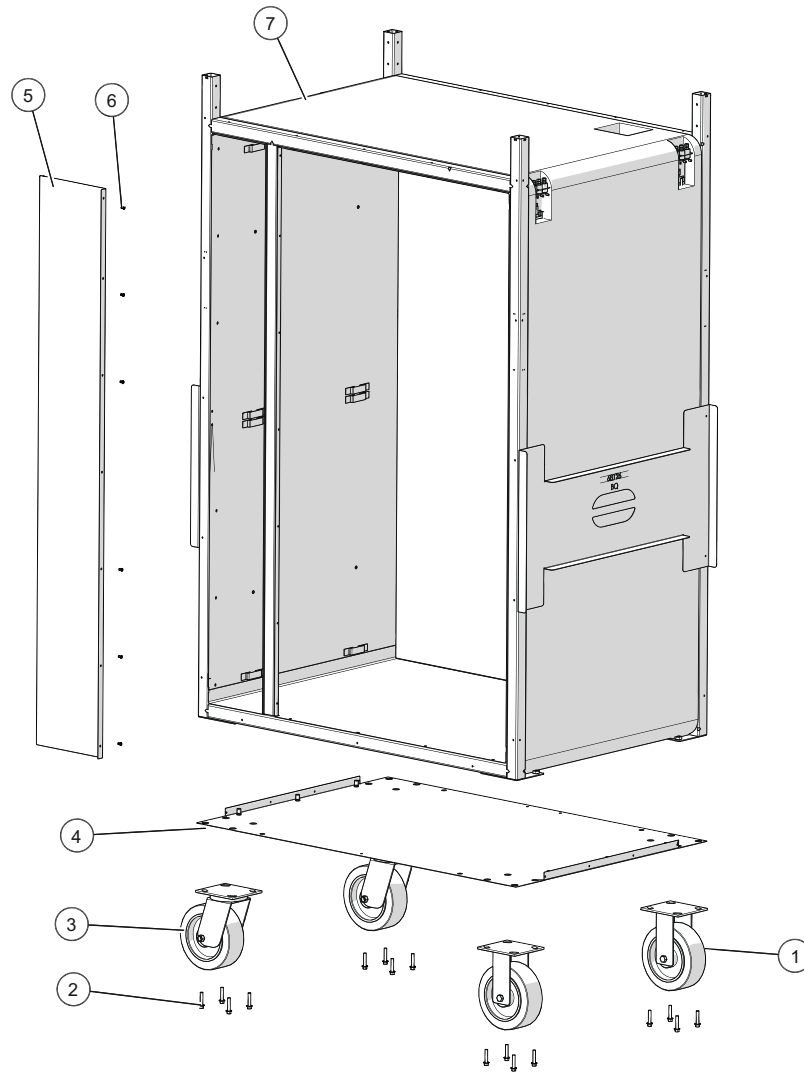
ID	Part No.	Description	Qty
1	CS-2042	6"x2" RIGID CASTER	2
2	SC-35834	SCREW, M6X1X30MM HEX FLG	16
3	CS-2231	6" CASTER, SWIVEL, PLATE	2
4	SC-26604	SCREW, M8x1.25X25MM PAN	12
5	1013823	HITCH PIN RECEIVER BRACKET, BQ	1
6	WS-22303	WASHER, M8 SPLIT LOCK	12
7	WS-22298	WASHER, M8, 18-8	12
8	5013415	TUBE CABLE ASSEMBLY	1
9	5015721	BQ96 BOTTOM PANEL SPOT	1
10	1013824	HITCH RECEIVER BRACKET W/SLOT, BQ	1

Cavity Package D, 1000-BQ2/96 (125V w/hitch)



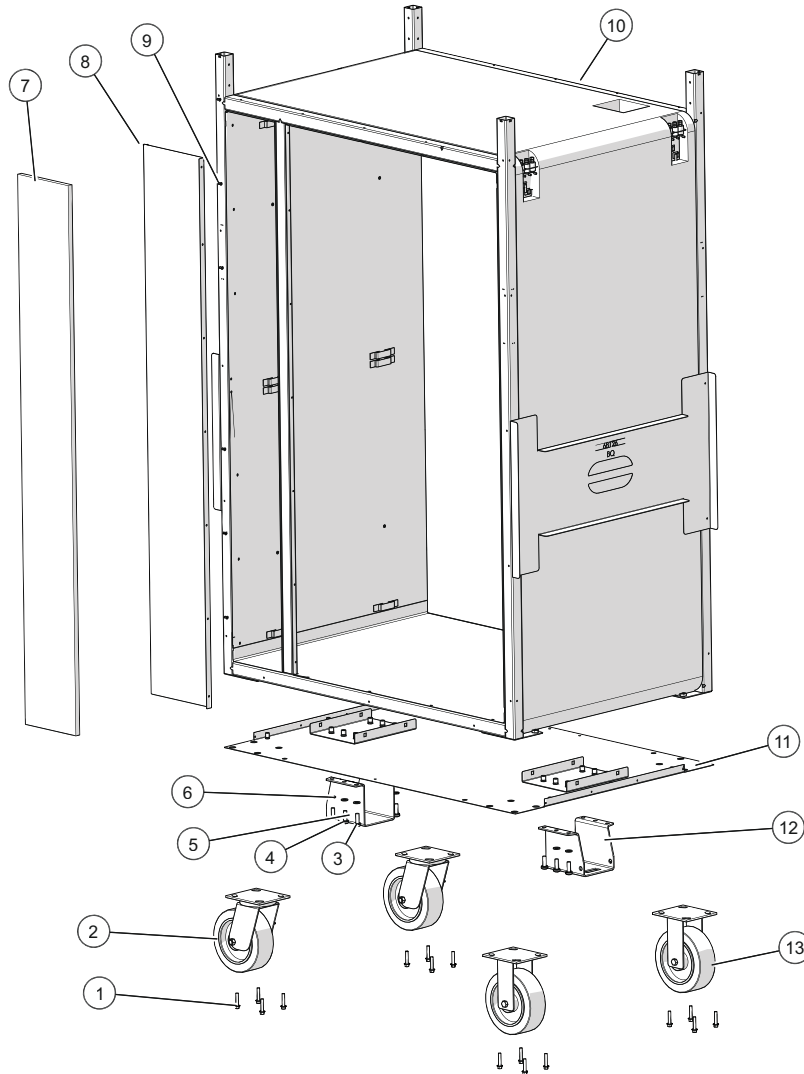
ID	Part No.	Description	Qty
1	CS-2042	6"x2" RIGID CASTER	2
2	SC-27046	SCREW, M8X1.25X20MM HEX FLG	16
3	CS-2231	6" CASTER, SWIVEL, PLATE	2
4	SC-26604	SCREW, M8x1.25X25MM PAN	12
5	WS-22303	WASHER, M8 SPLIT LOCK	12
6	WS-22298	WASHER, M8, 18-8	12
7	5015721	BQ96 BOTTOM PANEL SPOT	1
8	5013357	TUBE CABLE ASSEMBLY	1
9	1013824	HITCH RECEIVER BRACKET W/SLOT, BQ	1
10	1013823	HITCH PIN RECEIVER BRACKET, BQ	1

Cavity Package A, 1000-BQ2/128 (120V, 208/240V, 230V)



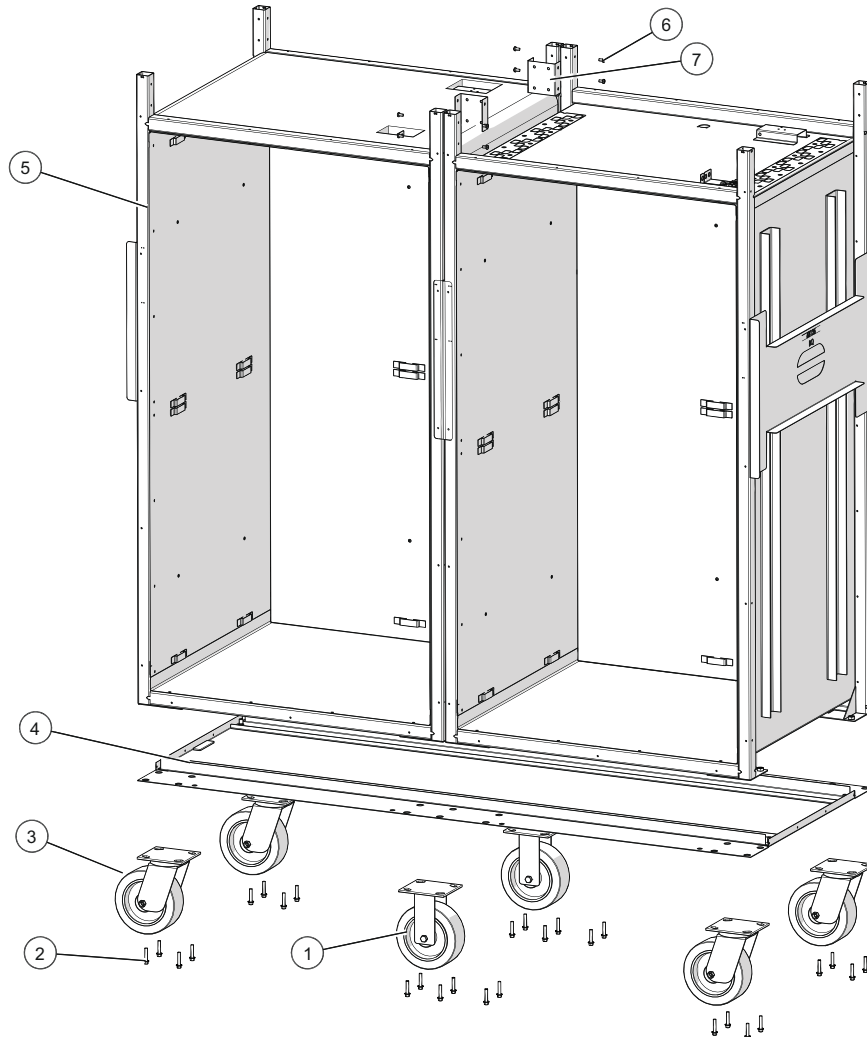
ID	Part No.	Description	Qty
1	CS-2042	6"x2" RIGID CASTER	2
2	SC-27046	SCREW, M8X1.25X20MM HEX FLG	16
3	CS-2231	6" CASTER, SWIVEL, PLATE	2
4	5013461	BQ128 BOTTOM PANEL SPOT	1
5	1012147	BQ128 FRONT TRIM GUARD	1
6	RI-2100	RIVET,BLIND,#44,STNLS	6
7	5013401	CABLE ASB,BQ2/128,125V,208/240V,230V	1

Cavity Package D, 1000-BQ2/128 (120V, 208/240V, 230V w/hitch)



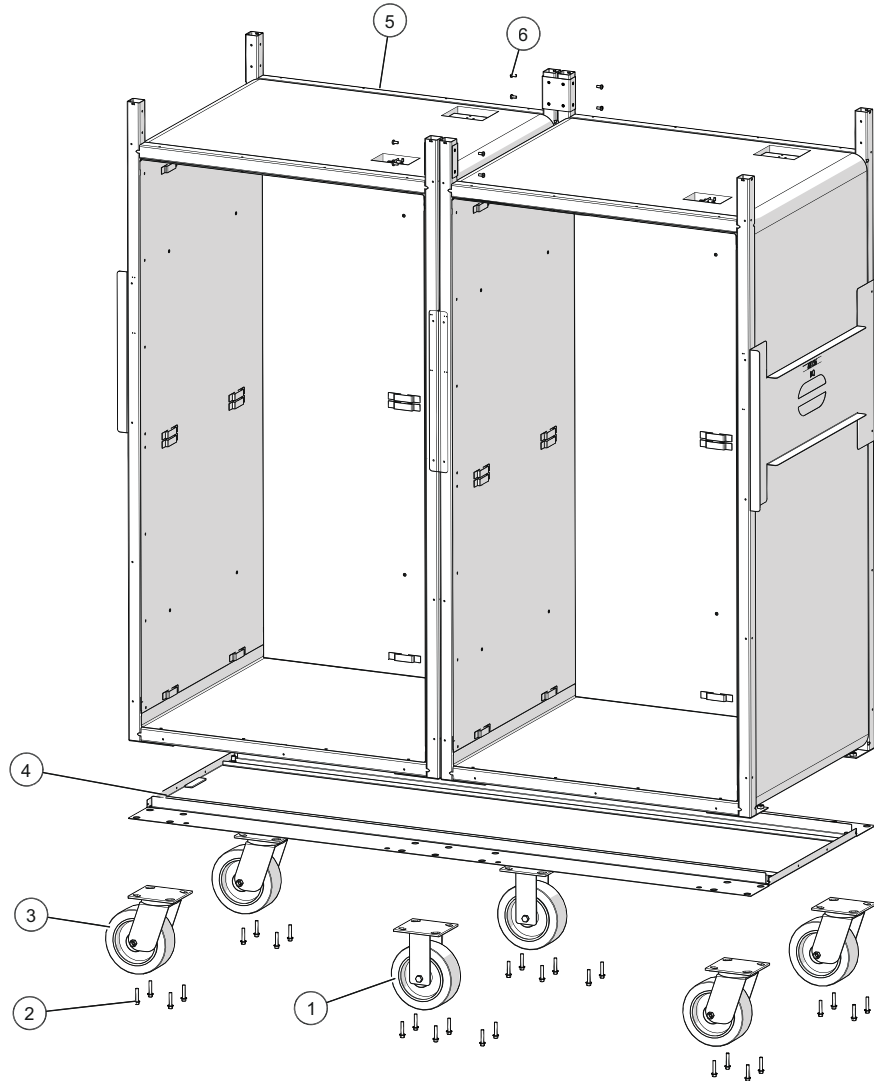
ID	Part No.	Description	Qty
1	SC-27046	SCREW, M8X1.25X20MM HEX FLG	16
2	CS-2231	6" CASTER, SWIVEL, PLATE	2
3	WS-22303	WASHER, M8 SPLIT LOCK	12
4	SC-26604	SCREW, M8x1.25X25MM PAN	12
5	1013823	HITCH PIN RECEIVER BRACKET, BQ	1
6	WS-22298	WASHER, M8, 18-8	12
7	IN-2003	INSULATION, 1/2" BOARD, 53" X 6.75"	1
8	1012147	BQ128 FRONT TRIM GUARD	1
9	RI-2100	RIVET, BLIND, #44, STNLS	6
10	5013401	CABLE ASB, BQ2/128, 125V, 208/240V, 230V	1
11	5015983	BQ128 BOTTOM PANEL SPOT	1
12	1013824	HITCH RECEIVER BRACKET W/SLOT, BQ	1
13	CS-2042	6"x2" RIGID CASTER	2

Cavity Package A, 1000-BQ2/192 (120V)



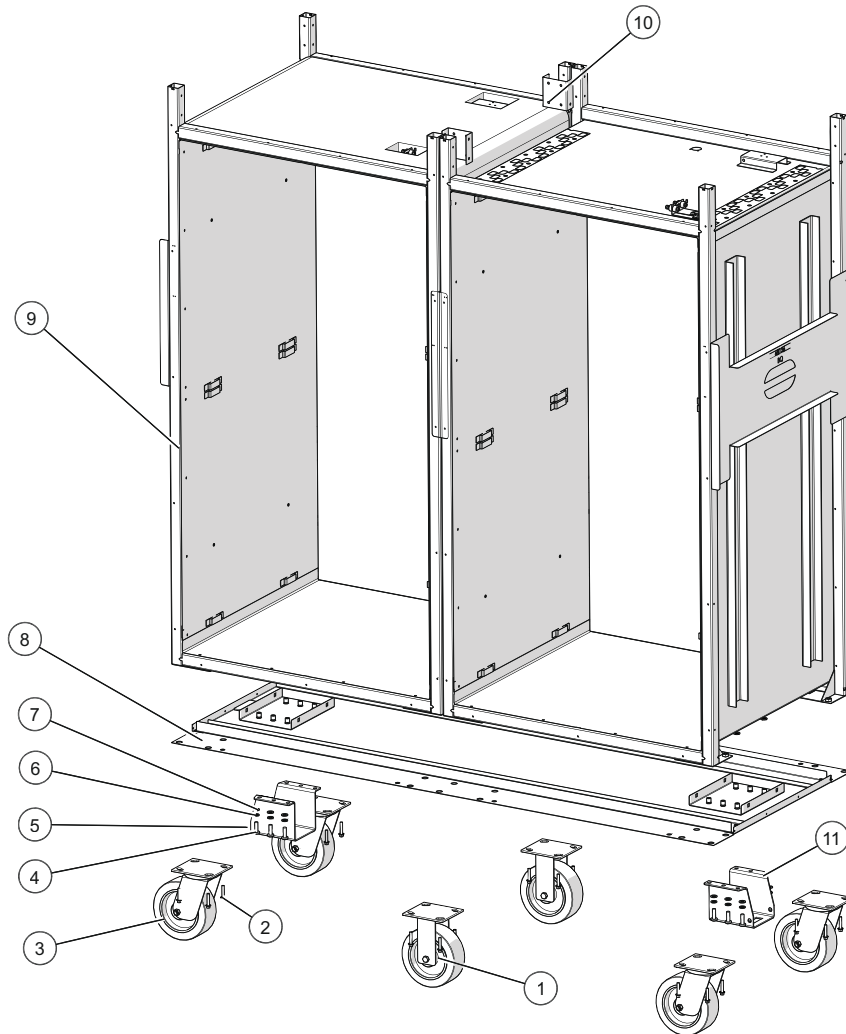
ID	Part No.	Description	Qty
1	CS-2042	6"x2" RIGID CASTER	2
2	SC-27046	SCREW, M8X1.25X20MM HEX FLG	28
3	CS-2231	6" CASTER, SWIVEL, PLATE	4
4	5013362	BQ192 BOTTOM PANEL SPOT ASSB	1
5	5013357	TUBE CABLE ASSEMBLY	2
6	SC-22766	SCREW, M5x0.8X10MM PAN	8
7	1012120	BQ192 FRAME BRACKET	2

Cavity Package B, 1000-BQ2/192 (120V, 208/240V, 230V)



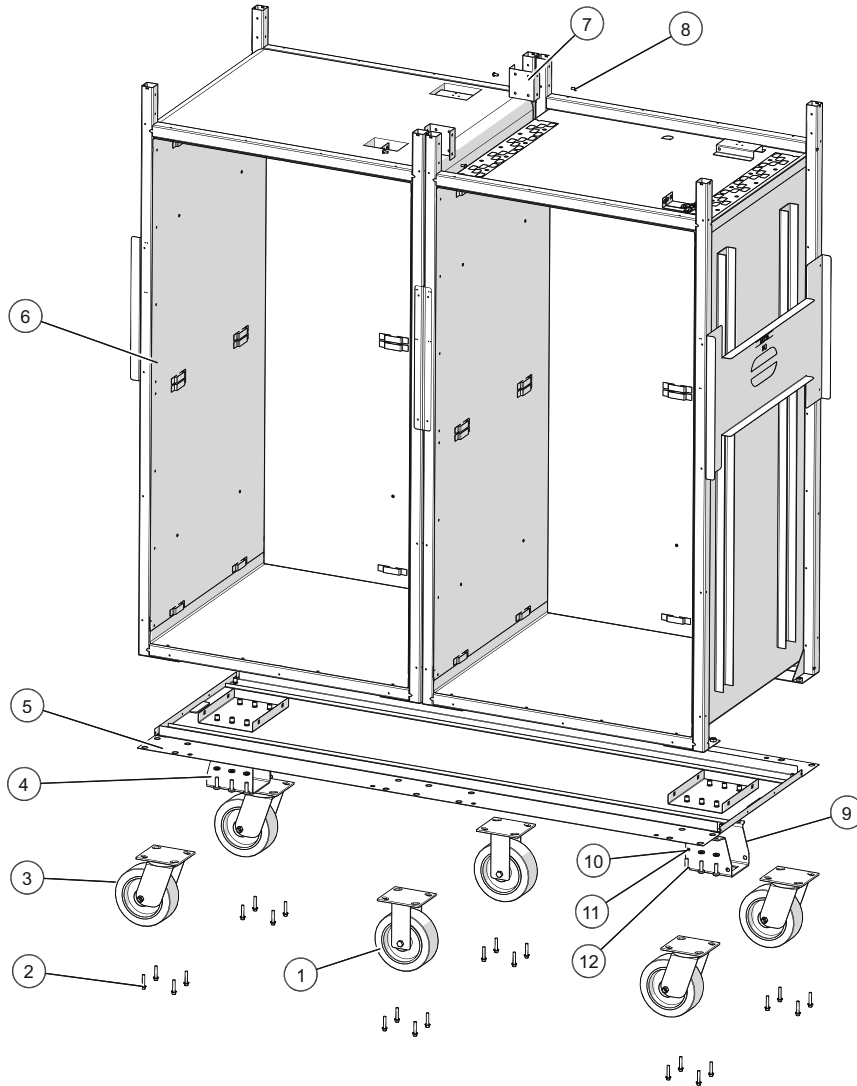
ID	Part No.	Description	Qty
1	CS-2042	6"x2" RIGID CASTER	2
2	SC-27046	SCREW, M8X1.25X20MM HEX FLG	28
3	CS-2231	6" CASTER, SWIVEL, PLATE	4
4	5013362	BQ192 BOTTOM PANEL SPOT ASSB	1
5	5013415	TUBE CABLE ASSEMBLY	2
6	SC-22766	SCREW, M5x0.8X10MM PAN	8

Cavity Package C, 1000-BQ2/192 (120V, 208/240V, 230V w/hitch)



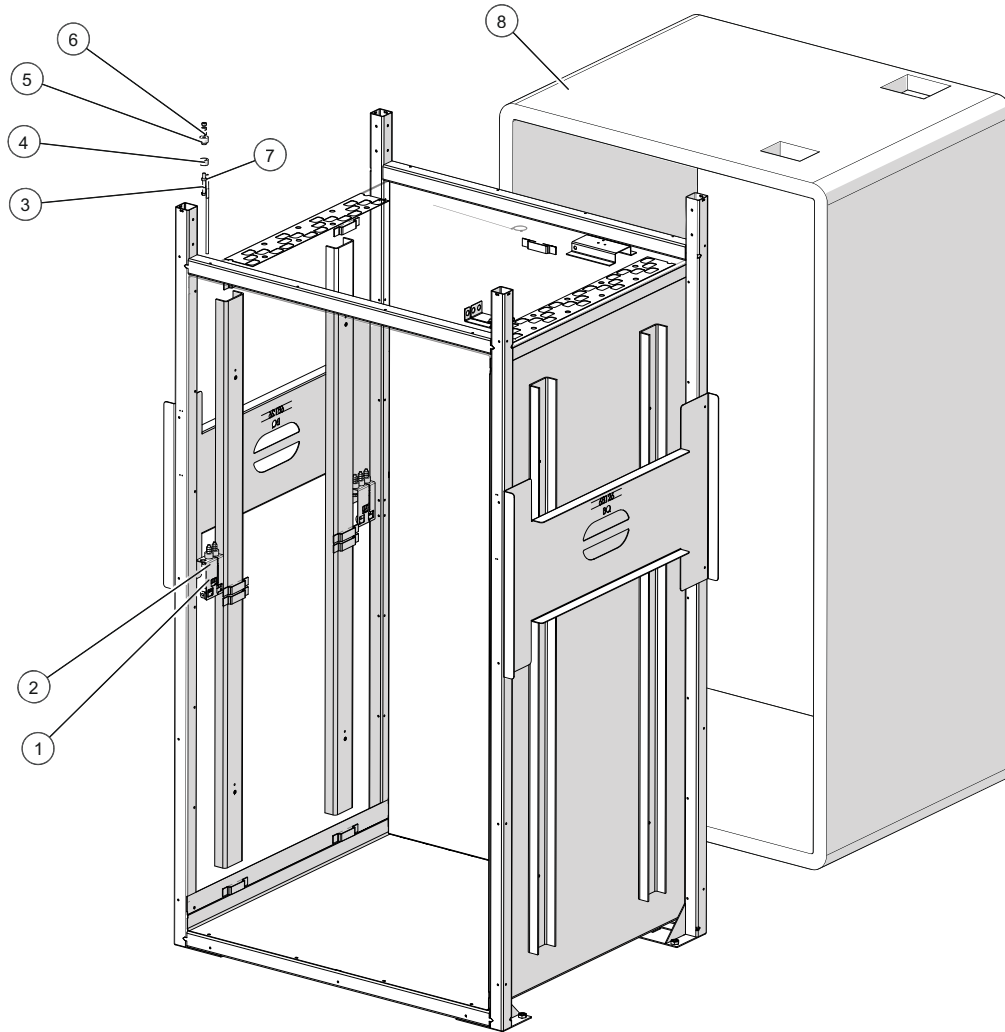
ID	Part No.	Description	Qty
1	CS-2042	6"x2" RIGID CASTER	2
2	SC-35834	SCREW, M8X1.25X20MM HEX FLG	24
3	CS-2231	6" CASTER, SWIVEL, PLATE	4
4	SC-26604	SCREW, M8x1.25X25MM PAN	12
5	1013823	HITCH PIN RECEIVER BRACKET, BQ	1
6	WS-22303	WASHER, M8 SPLIT LOCK	12
7	WS-22298	WASHER, M8, 18-8	12
8	5015985	BQ192 BOTTOM PANEL SPOT	1
9	5013415	TUBE CABLE ASSEMBLY	2
10	1012120	BQ192 FRAME BRACKET	2
11	1013824	HITCH RECEIVER BRACKET W/SLOT, BQ	1

Cavity Package D, 1000-BQ2/192 (125V w/hitch)



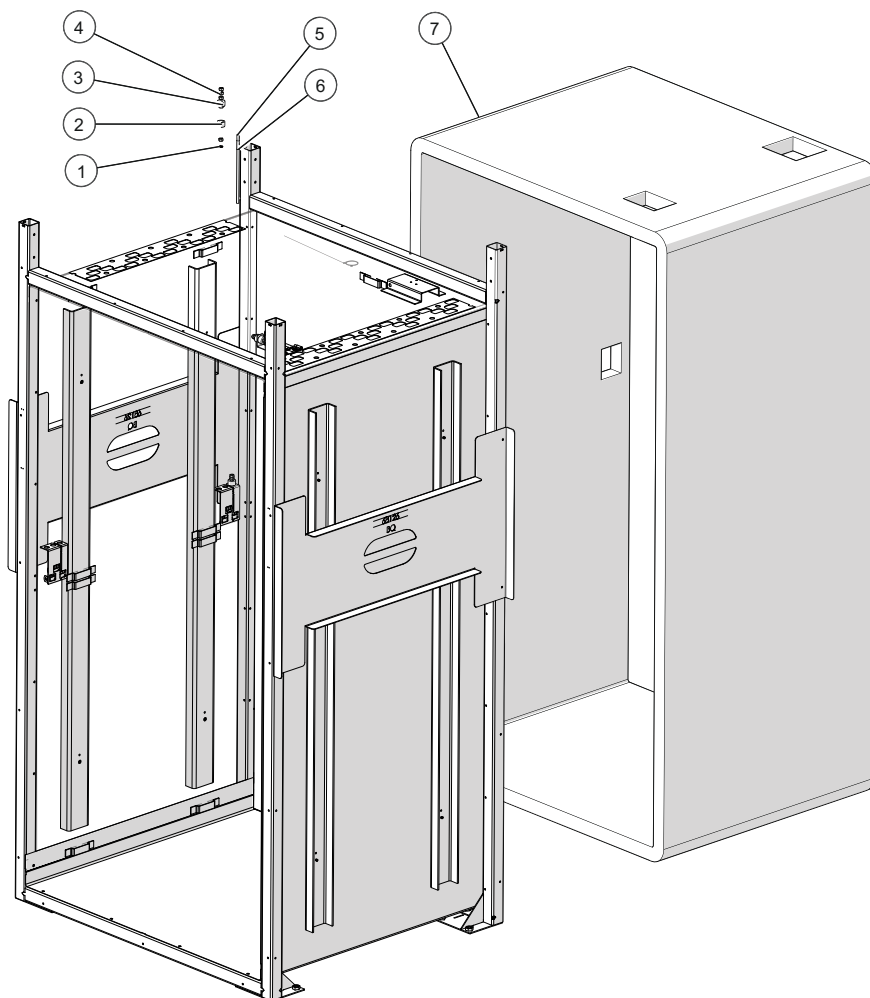
ID	Part No.	Description	Qty
1	CS-2042	6"x2" RIGID CASTER	2
2	SC-35834	SCREW, M8X1.25X20MM HEX FLG	24
3	CS-2231	6" CASTER, SWIVEL, PLATE	4
4	1013823	HITCH PIN RECEIVER BRACKET, BQ	1
5	5015985	BQ192 BOTTOM PANEL SPOT	1
6	5013357	TUBE CABLE ASSEMBLY	2
7	1012120	BQ192 FRAME BRACKET	2
8	SC-22766	SCREW, M5x0.8X10MM PAN	8
9	1013824	HITCH RECEIVER BRACKET W/SLOT, BQ	1
10	WS-22303	WASHER, M8 SPLIT LOCK	12
11	WS-22298	WASHER, M8, 18-8	12
12	SC-26604	SCREW, M8x1.25X25MM PAN	12

Tube Cable Assembly, BQ2-96 and BQ2-192 (120V)



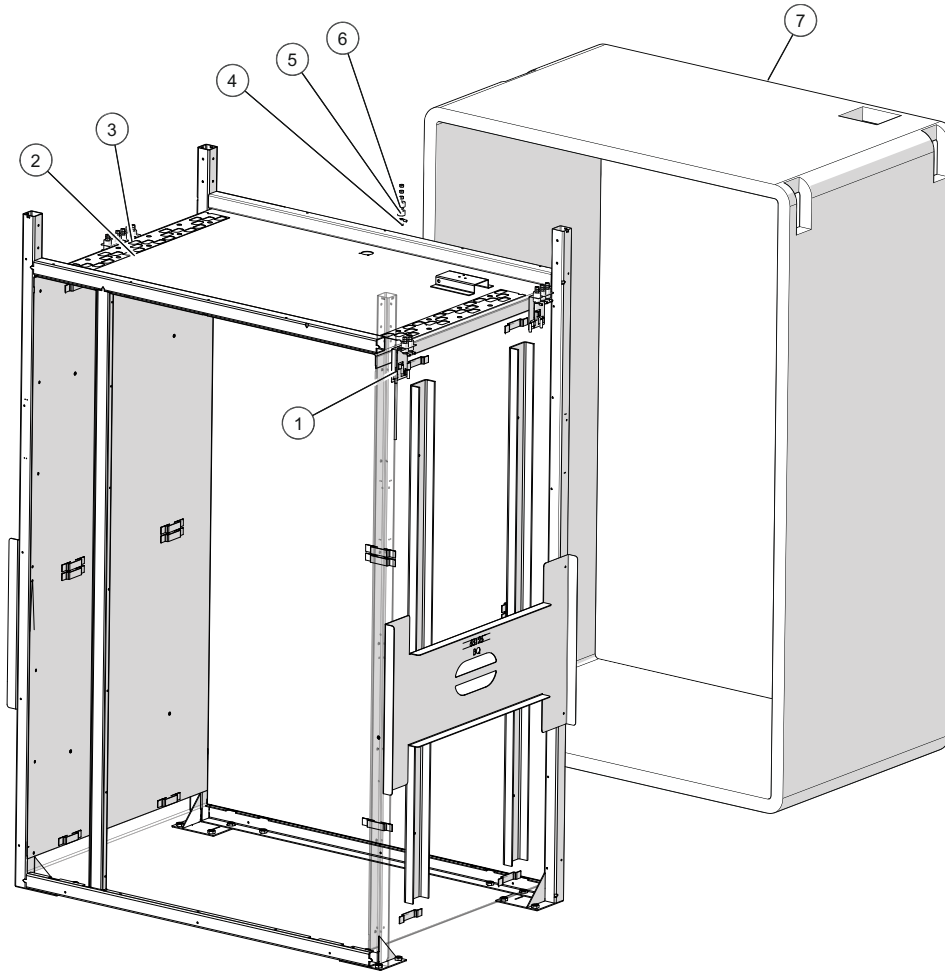
ID	Part No.	Description	Qty
1	SL-3063	SLEEVE,FIBER,HEAT TREAT	6
2	SC-28259	SCREW, M5x0.8x40MM HEX	6
3	CR-3226	CONNECTOR,TERM.,#10 STUD RING	6
4	BU-3106	BUSHING, FEMALE CERAMIC	6
5	BU-3105	BUSHING, MALE CERAMIC	6
6	NU-22289	NUT, M5-0.8 HEX NUT 18-8 DIN # 934	24
7	CB-3045	CABLE,HEATING,450 DEG.C. [FT]	1
8	IN-22364	1 1/2" FLUFF INSULATION	1

Tube Cable Assembly, BQ2-96 and BQ2-192 (208/240V)



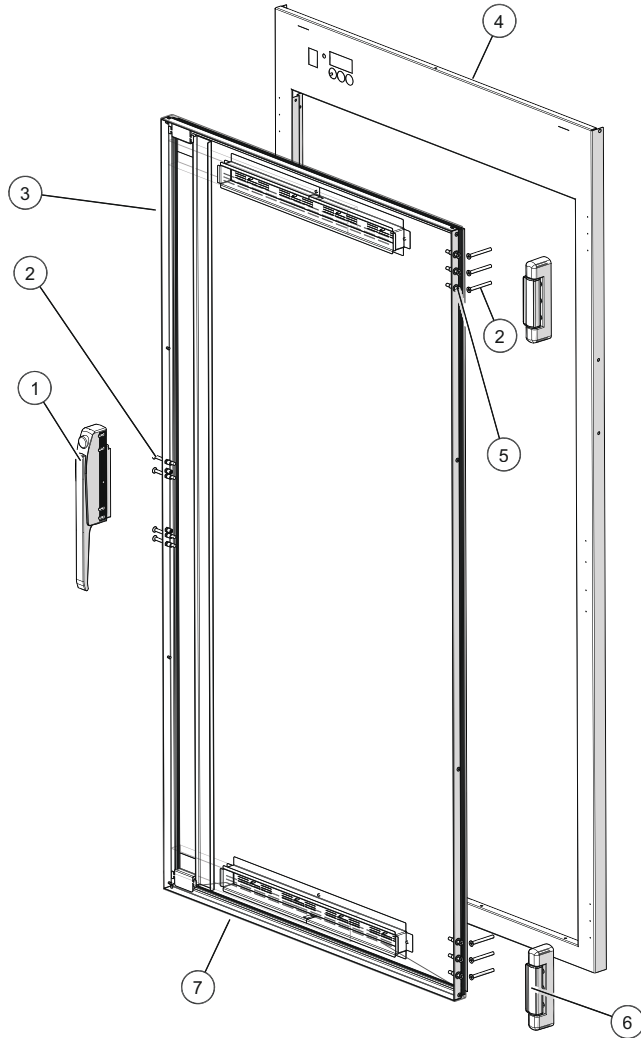
ID	Part No.	Description	Qty
1	CR-3226	CONNECTOR,TERM.,#10 STUD RING	4
2	BU-3106	BUSHING, FEMALE CERAMIC	4
3	BU-3105	BUSHING, MALE CERAMIC	4
4	NU-22289	NUT, M5-0.8 HEX NUT 18-8 DIN # 934	16
5	CB-3045	CABLE,HEATING,450 DEG.C. [FT]	1
6	SL-3063	SLEEVE,FIBER,HEAT TREAT	4
7	IN-22364	1 1/2" FLUFF INSULATION	1

Tube Cable Assembly, BQ2-128 (120V)



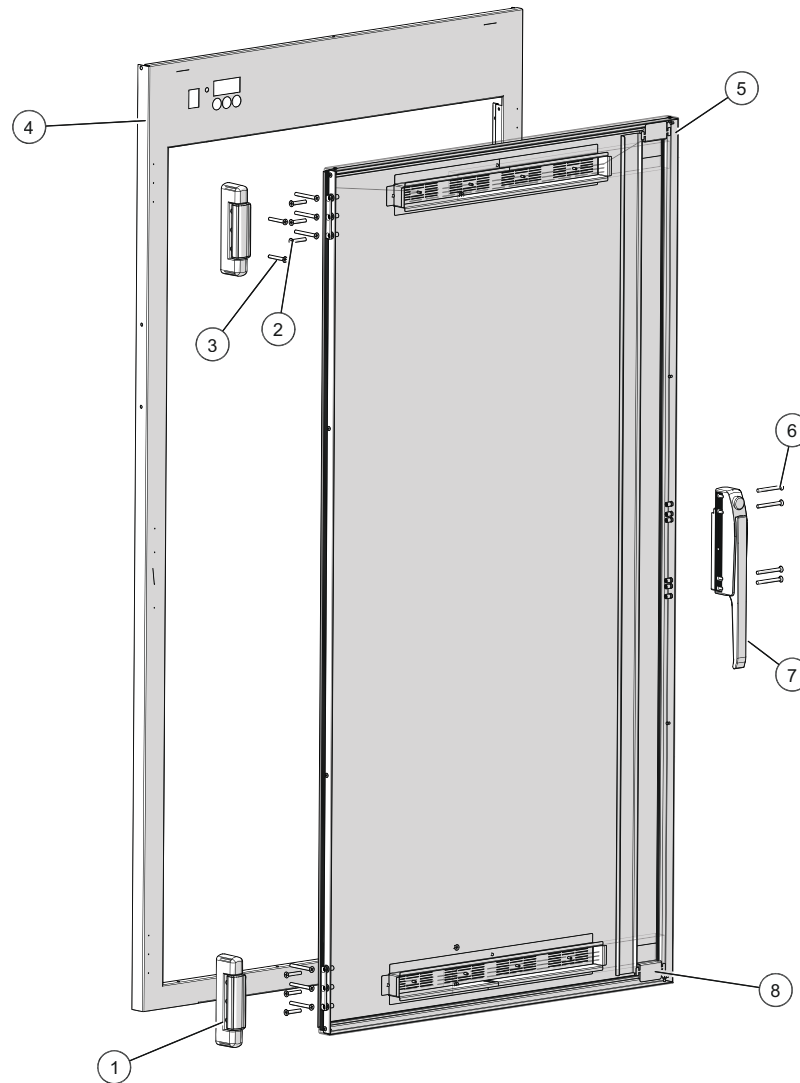
ID	Part No.	Description	Qty
1	CB-3045	CABLE, HEATING, 450 DEG. C. [FT]	1
2	SL-3063	SLEEVE, FIBER, HEAT TREAT	12
3	CR-3226	CONNECTOR, TERM., #10 STUD RING	12
4	NU-22289	NUT, M5-0.8 HEX NUT 18-8 DIN # 934	48
5	BU-3106	BUSHING, FEMALE CERAMIC	12
6	BU-3105	BUSHING, MALE CERAMIC	12
7	IN-22364	1 1/2" FLUFF INSULATION	1

Door Package A, 1000-BQ2/96



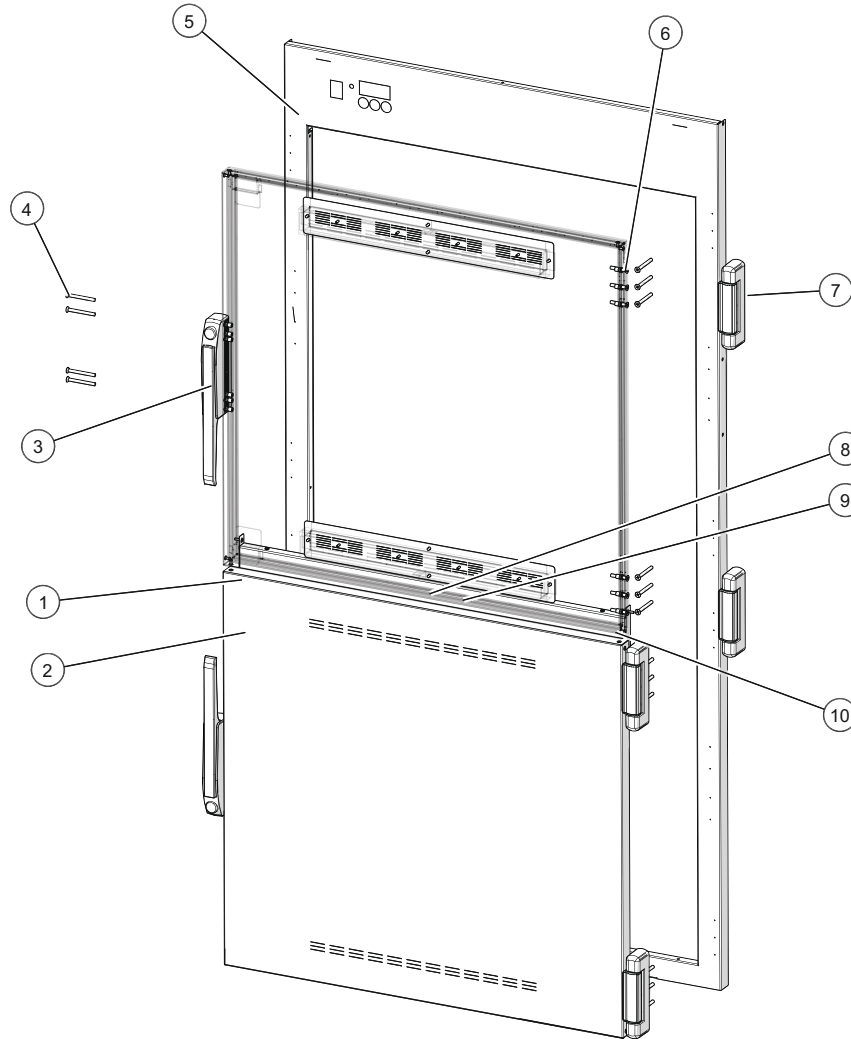
ID	Part No.	Description	Qty
1	HD-27080 (LH)	HANDLE,OFFSET MAG LATCH	1
2	SC-35259	SCREW,M5x0.8X50MM FLAT	10
3	5013417	DOOR, ASSEMBLY	1
4	5035377	BQ96 FRONT TRIM STUD ASSB	1
5	SC-22853	SCREW,M5x0.8X30MM FLAT	6
6	HG-22338	HINGE, 1-3/8 OFFSET, PAIR, CHROME	1
7	GS-29510	GASKET,DOOR,GREY	1

Door Package B, 1000-BQ2/96



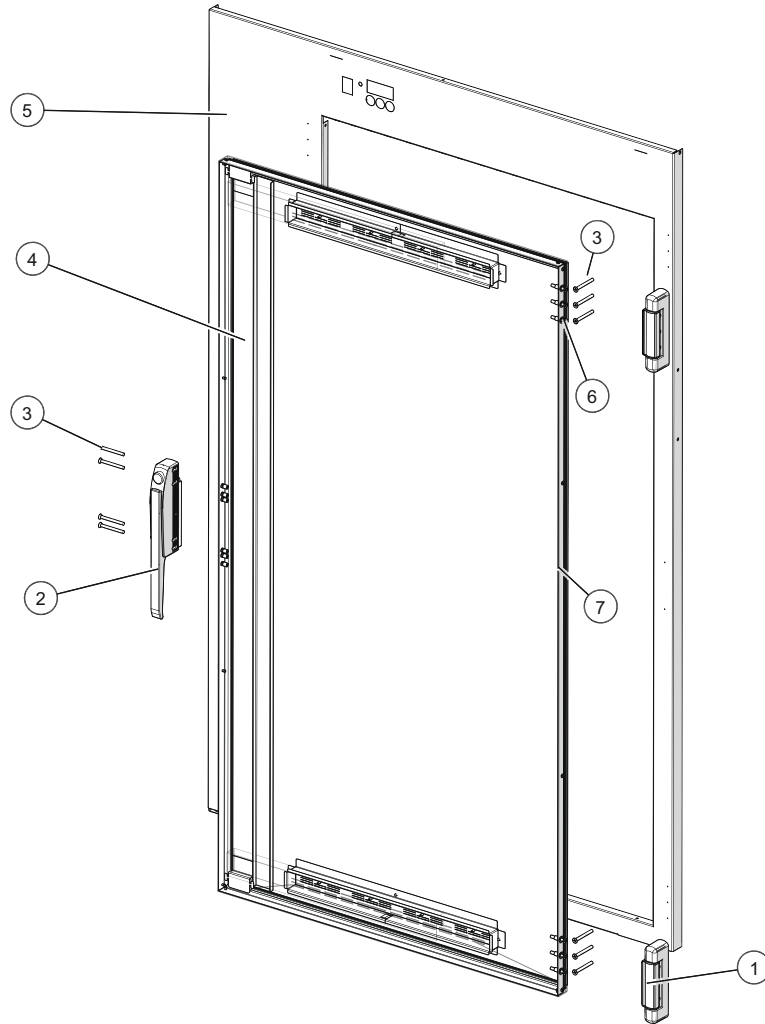
ID	Part No.	Description	Qty
1	HG-22338	HINGE, 1-3/8 OFFSET, PAIR, CHROME	1
2	SC-22853	SCREW,M5x0.8X30MM FLAT	6
3	SC-2073	SCREW,10-32X1-1/2,NF,PHIL,FLAT M/S,18-8 S/S	6
4	5035377	BQ96 FRONT TRIM STUD ASSB	1
5	5013417	DOOR, ASSEMBLY	1
6	SC-35259	SCREW,M5x0.8X50MM FLAT	10
7	HD-2566	HANDLE,OFFSET MAG LATCH	1
8	GS-29510	GASKET,DOOR,GREY	1

Door Package C, 1000-BQ2/96



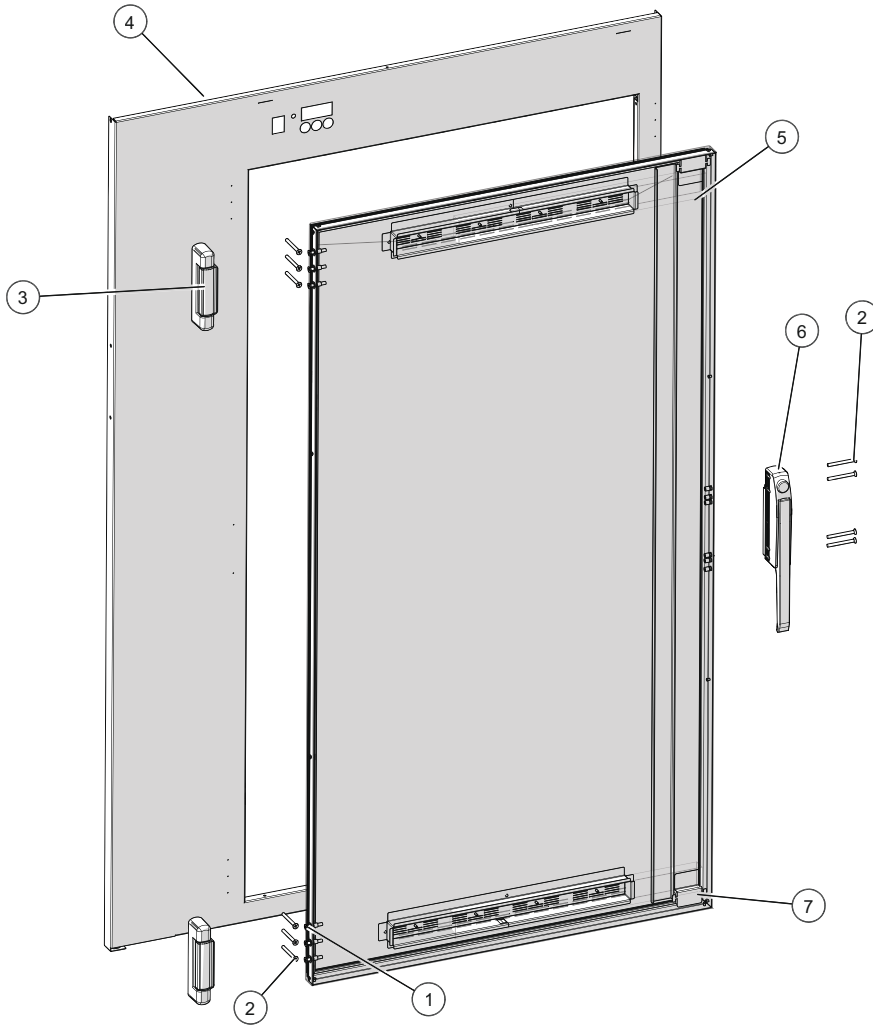
ID	Part No.	Description	Qty
1	RI-27108	RIVET, SEALED	10
2	5016854	DOOR, ASSEMBLY	2
3	HD-2566	HANDLE, OFFSET MAG LATCH	2
4	SC-35259	SCREW,M5x0.8X50MM FLAT	20
5	5035376	BQ96 FRONT TRIM STUD ASSB	1
6	SC-22853	SCREW,M5x0.8X30MM FLAT	12
7	HG-22338	HINGE, 1-3/8 OFFSET, PAIR, CHROME	2
8	1015133	FRONT TRIM INSIDE MULLION	1
9	1015134	FRONT TRIM OUTSIDE MULLION	1
10	GS-36249	GASKET,DOOR,GREY	2

Door Package A, 1000-BQ2/128



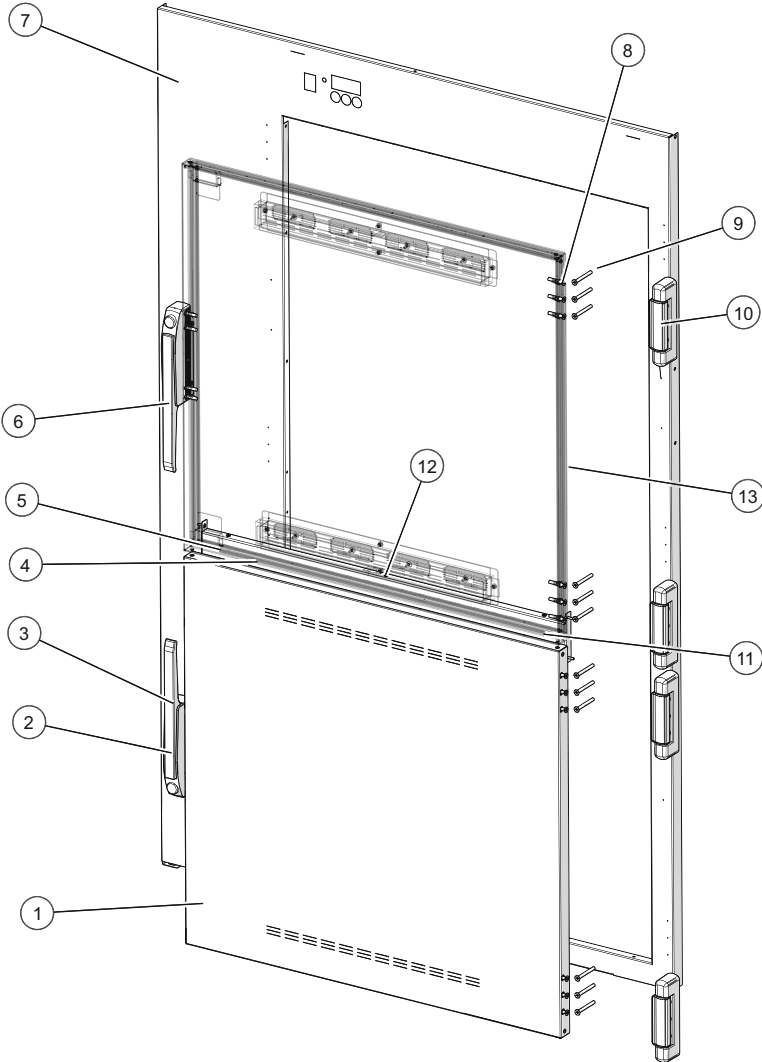
ID	Part No.	Description	Qty
1	HG-22338	HINGE, 1-3/8 OFFSET, PAIR, CHROME	1
2	HD-27080 (LH)	HANDLE, OFFSET MAG LATCH	1
3	SC-35259	SCREW, M5x0.8X50MM FLAT	10
4	5013417	DOOR, ASSEMBLY	1
5	5035379	BQ128 FRONT TRIM STUD ASSB	1
6	SC-22853	SCREW, M5x0.8X30MM FLAT	6
7	GS-29510	GASKET, DOOR, GREY	1

Door Package B, 1000-BQ2/128



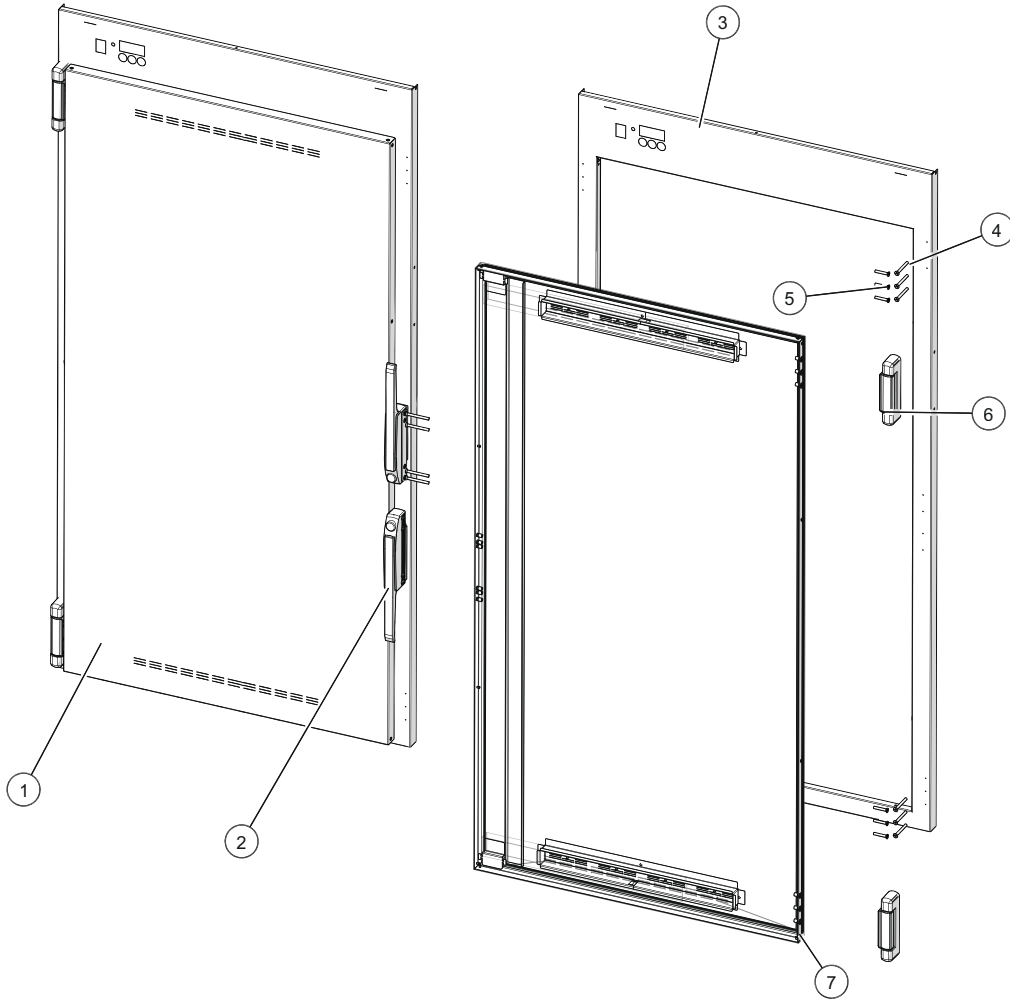
ID	Part No.	Description	Qty
1	SC-22853	SCREW,M5x0.8X30MM FLAT	6
2	SC-35259	SCREW,M5x0.8X50MM FLAT	10
3	HG-22338	HINGE, 1-3/8 OFFSET, PAIR, CHROME	1
4	5035379	BQ128 FRONT TRIM STUD ASSB	1
5	5013417	DOOR, ASSEMBLY	1
6	HD-2566	HANDLE,OFFSET MAG LATCH	1
7	GS-29510	GASKET,DOOR,GREY	1

Door Package C, 1000-BQ2/128



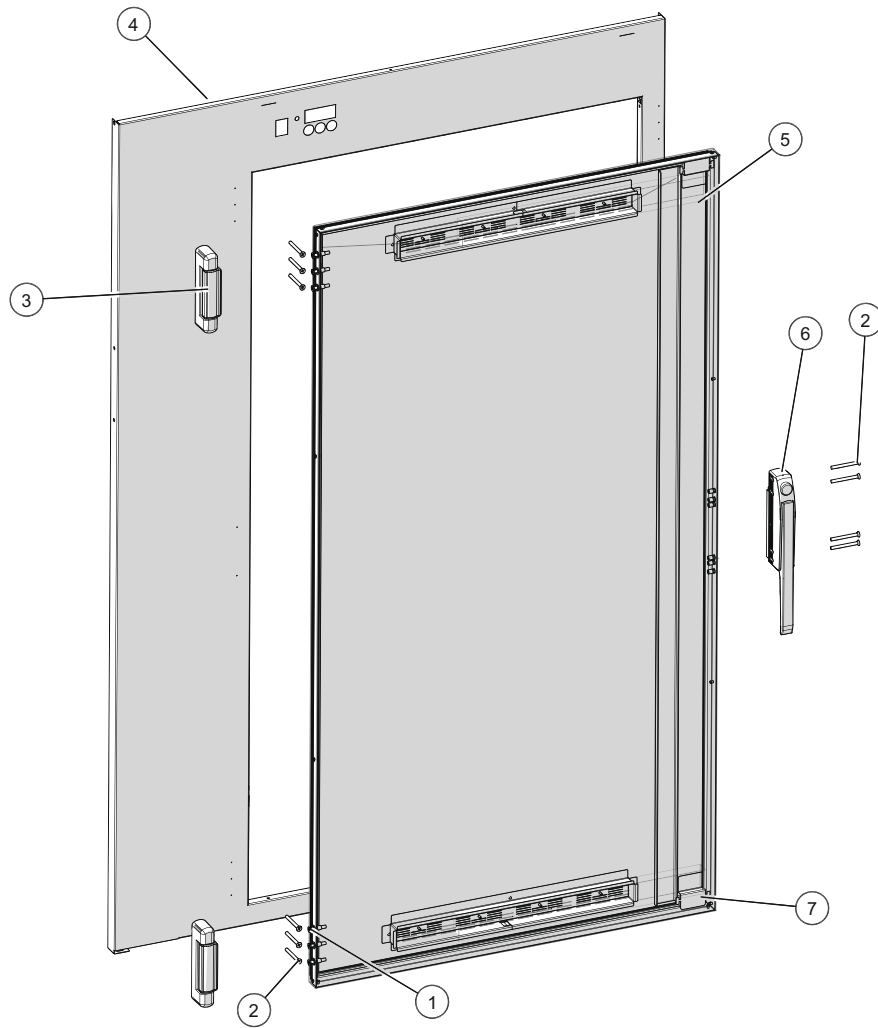
ID	Part No.	Description	Qty
1	5016854	DOOR, ASSEMBLY	2
2	HD-2566 (RH)	HANDLE, OFFSET MAG LATCH	1
3	SC-2073	SCREW, 10-32X1-1/2, NF, PHIL, FLAT M/S, 18-8 S/S	4
4	1015134	FRONT TRIM OUTSIDE MULLION	1
5	1015133	FRONT TRIM INSIDE MULLION	1
6	HD-27080 (LH)	HANDLE, OFFSET MAG LATCH	1
7	5035378	BQ128 FRONT TRIM STUD ASSB	1
8	SC-22853	SCREW, M5x0.8X30MM FLAT	12
9	SC-35259	SCREW, M5x0.8X50MM FLAT	20
10	HG-22338	HINGE, 1-3/8 OFFSET, PAIR, CHROME	2
11	IN-2003	0.5" X 2" X 27.5" BOARD INSULATION	1
12	RI-27108	RIVET, SEALED, 0.125" x 0.45"	10
13	GS-36249	GASKET, DOOR, GREY	2

Door Package A, 1000-BQ2/192



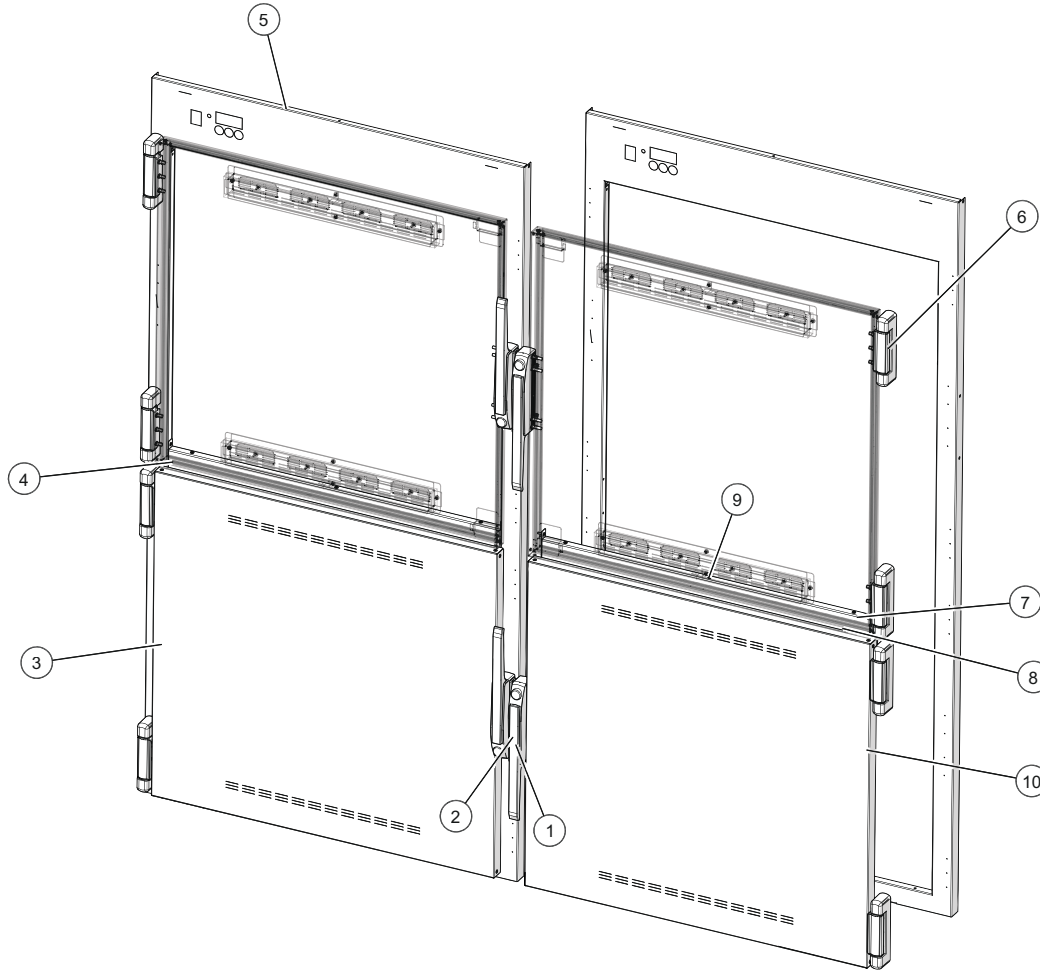
ID	Part No.	Description	Qty
1	5013417	DOOR, ASSEMBLY	2
2	HD-27080	HANDLE, OFFSET MAG LATCH	2
3	5035377	BQ96 FRONT TRIM STUD ASSB	2
4	SC-35259	SCREW, M5x0.8X50MM FLAT	20
5	SC-22853	SCREW, M5x0.8X30MM FLAT	12
6	HG-22338	HINGE, 1-3/8 OFFSET, PAIR, CHROME	2
7	GS-29510	GASKET, DOOR, GREY	2

Door Package B, 1000-BQ2/192



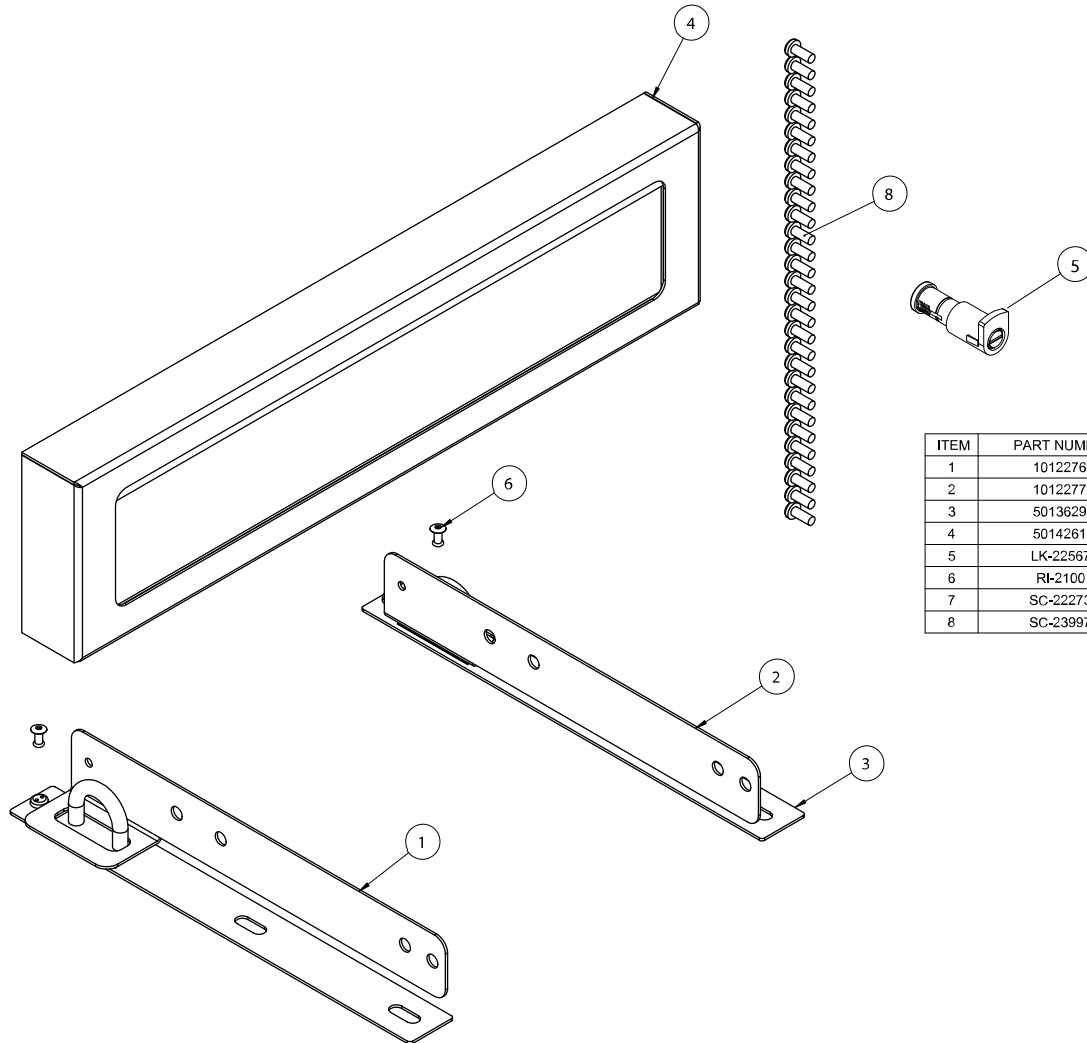
ID	Part No.	Description	Qty
1	SC-22853	SCREW,M5x0.8X30MM FLAT	6
2	SC-35259	SCREW,M5x0.8X50MM FLAT	10
3	HG-22338	HINGE, 1-3/8 OFFSET, PAIR, CHROME	1
4	5035379	BQ128 FRONT TRIM STUD ASSB	1
5	5013417	DOOR, ASSEMBLY	1
6	HD-2566	HANDLE,OFFSET MAG LATCH	1
7	GS-29510	GASKET,DOOR,GREY	1

Door Package B (split), 1000-BQ2/192



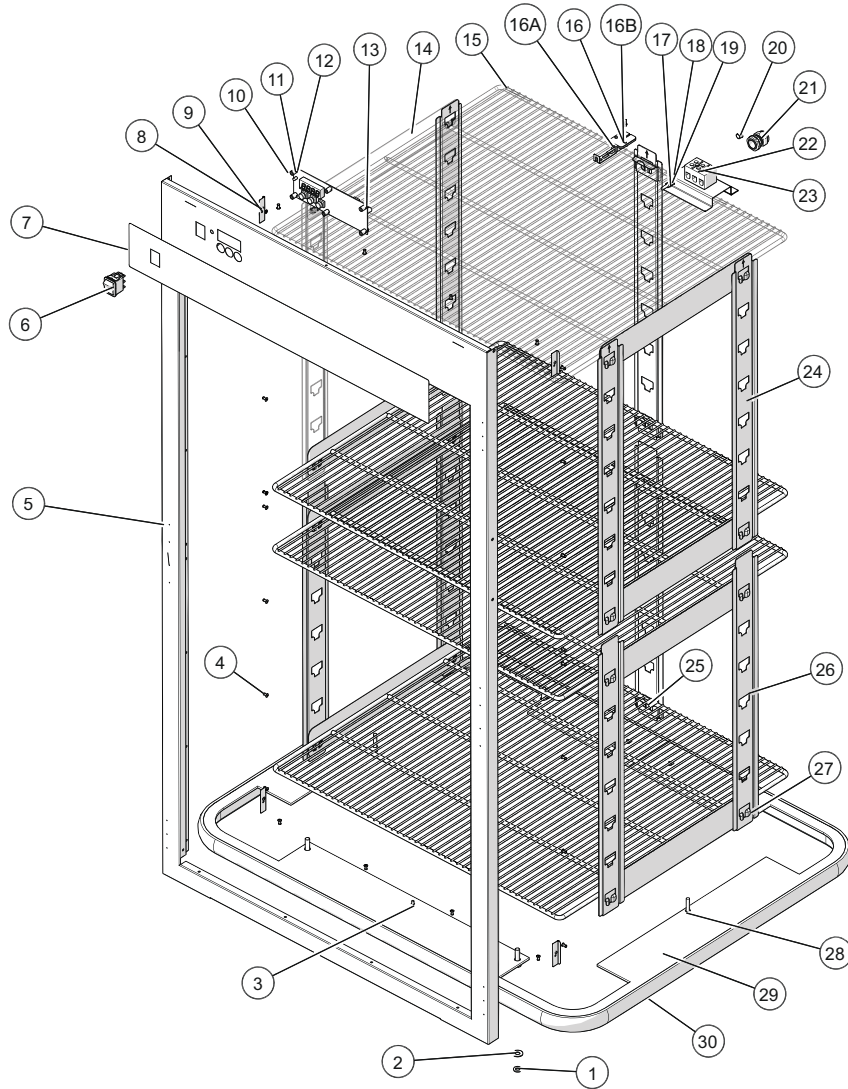
ID	Part No.	Description	Qty
1	SC-35259	SCREW,M5x0.8X50MM FLAT	16
2	HD-2566 (LH)	HANDLE,OFFSET MAG LATCH	4
3	5016854	DOOR, ASSEMBLY	4
4	IN-2003	0.5" X 2" X 27.5" BOARD INSULATION	2
5	5035376	BQ96 FRONT TRIM STUD ASSB	2
6	HG-22338	DOOR HINGE,OFFSET PAIR, 1-3/8"	8
7	1015133	FRONT TRIM INSIDE MULLION	2
8	1015134	FRONT TRIM OUTSIDE MULLION	2
9	RI-27108	RIVET, SEALED, 0.125" X 0.45"	20
10	GS-36249	GASKET,DOOR,GREY	4

Security Hardware Package



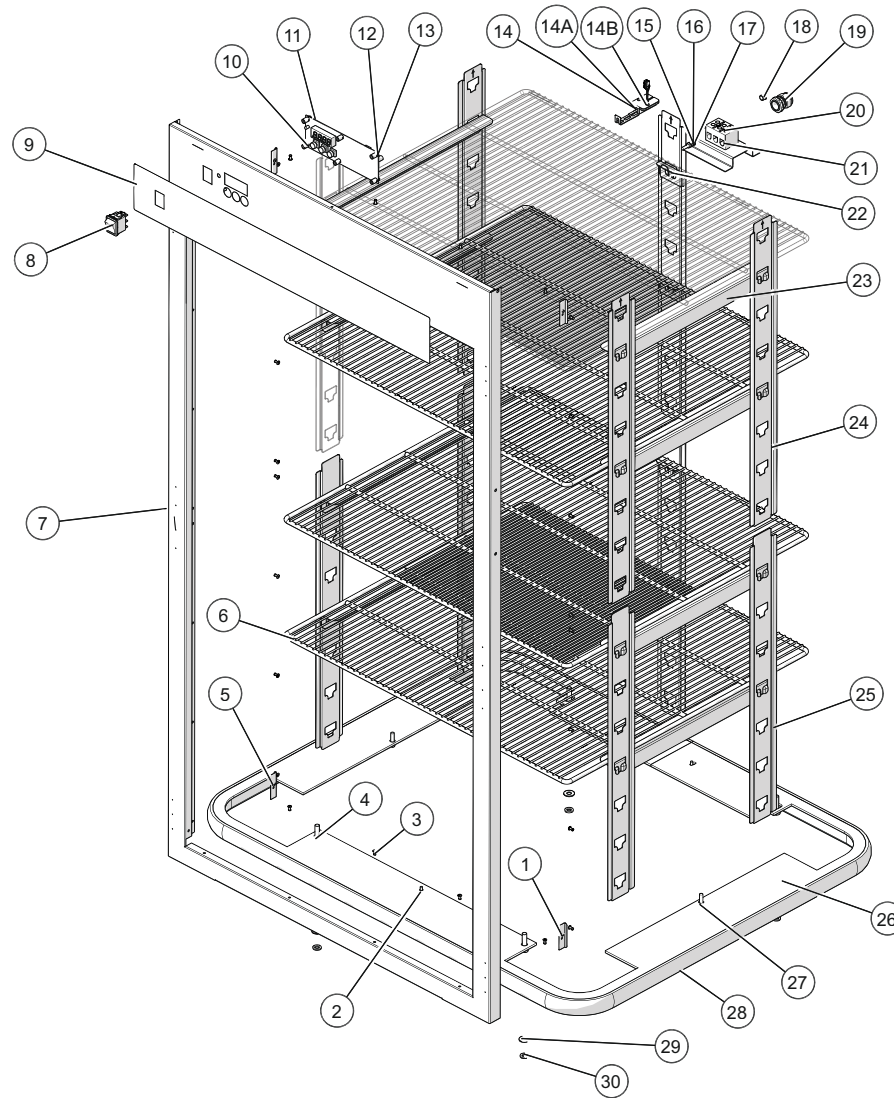
ITEM	PART NUMBER	DESCRIPTION	QTY
1	1012276	BQ TOP DOOR PRISON HASP BRACKET	1
2	1012277	BQ BOTTOM DOOR PRISON HASP BRACKET	1
3	5013629	BQ PRISON HASP WELD	2
4	5014261	BQ SECURITY CONTROL PANEL	1
5	LK-22567	LOCK, CYLINDER, FOR HD-2566,	2
6	RI-2100	RIVET, BLIND, #44, STNLS	2
7	SC-22273	SCREW, M4x0.7X10 PAN (NOT SHOWN)	3
8	SC-23997	SCREW, M4x0.7 X 10MM PAN SPNR	31

Electrical Package A, 1000-BQ2/96 (120V)



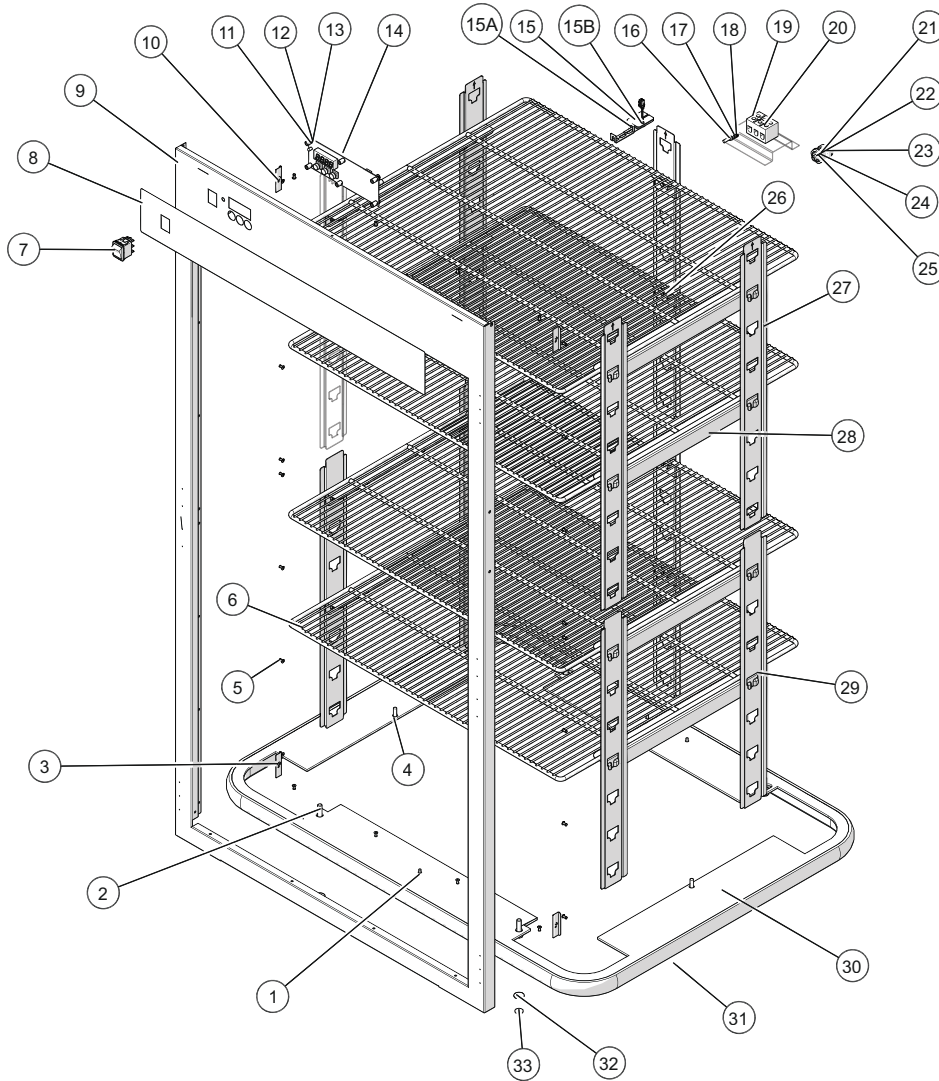
ID	Part No.	Description	Qty
1	WS-2867	WASHER, LOCK, 5/16 DIA.	4
2	WS-23725	5/16 FLAT WASHER	4
3	SC-22273	SCREW,M4x0.7X10MM PAN	3
4	RI-2100	RIVET,BLIND,#44,STNLS	24
5	5013358	BQ96 FRONT TRIM STUD ASSB	1
6	SW-38665	SWITCH,ROCKER,DPDT,20A,125V,	1
7	PE-48062	PANEL,OVERLAY,ELAN,BQ2/96,128,	1
8	RI-2097	#42 STAINLESS RIVET	4
9	1012115	BQ96 FRONT TRIM DUST COVER	4
10	CC-34970	ELAN WARMER CONTROL, PUSHBUTTON	1
11	SP-29392	SPACER, SNAP-IN, 7/16"	6
12	NU-2361	NUT, 6-32 HEX, S/S	4
13	WS-23148	WASHER, 6-32, FLAT, NYL	4
14	1061	SHELF SLIDE	8
15	SH-2835	SHELF, NICKEL CHROME, BQ	4
16	SN-38111	SENSOR	1
16A	1493	GUARD SENSOR,W/MW	1
16B	BK-29605	BLOCK, SENSOR, ELEC. CONTROL	1
17	NU-36234	NUT, M5, KEPS	3
18	WS-2467	WASHER, INT. LOCK	1
19	SC-38128	SCREW,PAN PH, METRIC, M5	1
20	PG-25574	3/8" HOLE PLUG	1
21	BU-3964	BUSHING,STRAIGHT,STRAIN RELIEF	1
22	BK-3019	T-BLOCK	1
23	SC-2365	SCREW,6-32X1-1/4,NC PHILLIPS	2
24	1012308	BQ TOP CLIP SUPPORT	5
25	11533	CLIP,SHELF	4
26	1015195	BRACKET, SUPPORT BOTTOM CLIP	5
27	SC-22279	SCREW, M8x1.25x30MM HEX	4
28	SC-35834	SCREW, M6X1X30MM HEX FLG	2
29	BM-28029	BUMPER, ALUMINUM FRAME	1
30	BM-24766	BUMPER,PERIMETER,RUBBER	1
31	5013926	WIRE SET, BQ96 120V (NOT SHOWN)	1

Electrical Package B, 1000-BQ2/96 (208/240V)



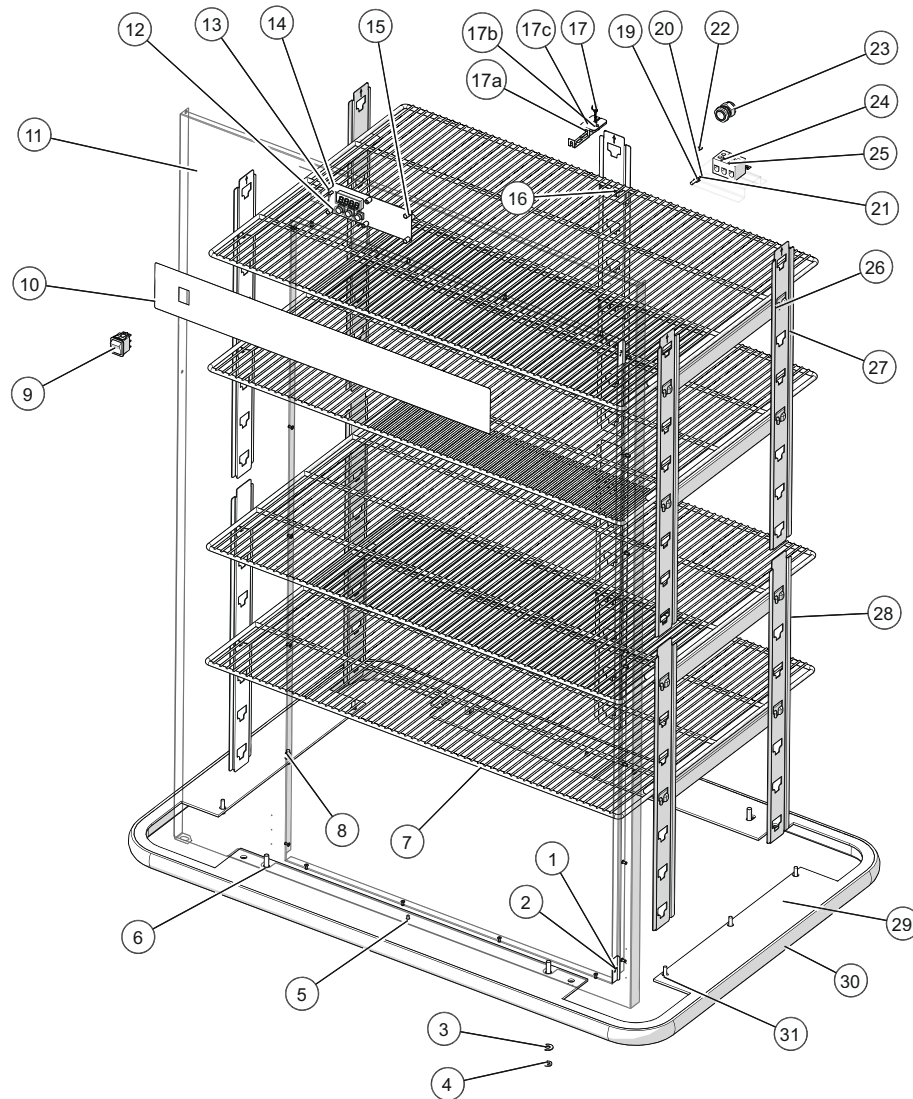
ID	Part No.	Description	Qty
1	1012115	BQ96 FRONT TRIM DUST COVER	4
2	SC-22273	SCREW,M4x0.7X10MM PAN	3
3	RI-2100	RIVET,BLIND,#44,STNLS	24
4	SC-22279	SCREW, M8x1.25x30MM HEX	4
5	RI-2097	#42 STAINLESS RIVET	4
6	SH-2835	SHELF, NICKEL CHROME, BQ	4
7	5013358	BQ96 FRONT TRIM STUD ASSB	1
8	SW-38665	SWITCH,ROCKER,DPDT,20A,125V,	1
9	PE-48062	PANEL,OVERLAY,ELAN,BQ2/96,128,	1
10	SP-29392	SPACER, SNAP-IN, 7/16"	6
11	CC-34970	LOW COST ELAN WARMER CONTROL	1
12	NU-2361	NUT, 6-32 HEX, S/S	4
13	WS-23148	WASHER, 6-32, FLAT, NYL	4
14	SN-38111	SENSOR	1
14A	1493	GUARD SENSOR,W/MW	1
14B	BK-29605	BLOCK, SENSOR, ELEC. CONTROL	1
15	NU-36234	NUT, M5, KEPS	3
16	SC-38128	SCREW,PAN PH, METRIC, M5	1
17	WS-2467	WASHER, INT. LOCK	1
18	PG-25574	3/8" HOLE PLUG	1
19	BU-3964	BUSHING,STRAIGHT,STRAIN RELIEF	1
20	SC-2365	SCREW,6-32X1-1/4,NC PHILLIPS	2
21	1018601	T-BLOCK BRACKET	1
22	11533	CLIP,SHELF	4
23	1061	SHELF SLIDE	8
24	1012308	BQ TOP CLIP SUPPORT	5
25	1015195	BRACKET, SUPPORT BOTTOM CLIP	5
26	BM-28029	BUMPER, ALUMINUM FRAME	1
27	SC-28256	SCREW, M6X1X20MM HEX FLG	2
28	BM-24766	BUMPER,PERIMETER,RUBBER	1
29	WS-23725	5/16 FLAT WASHER	4
30	WS-2867	WASHER, LOCK, 5/16 DIA.	4

Electrical Package C, 1000-BQ2/96 (230V)



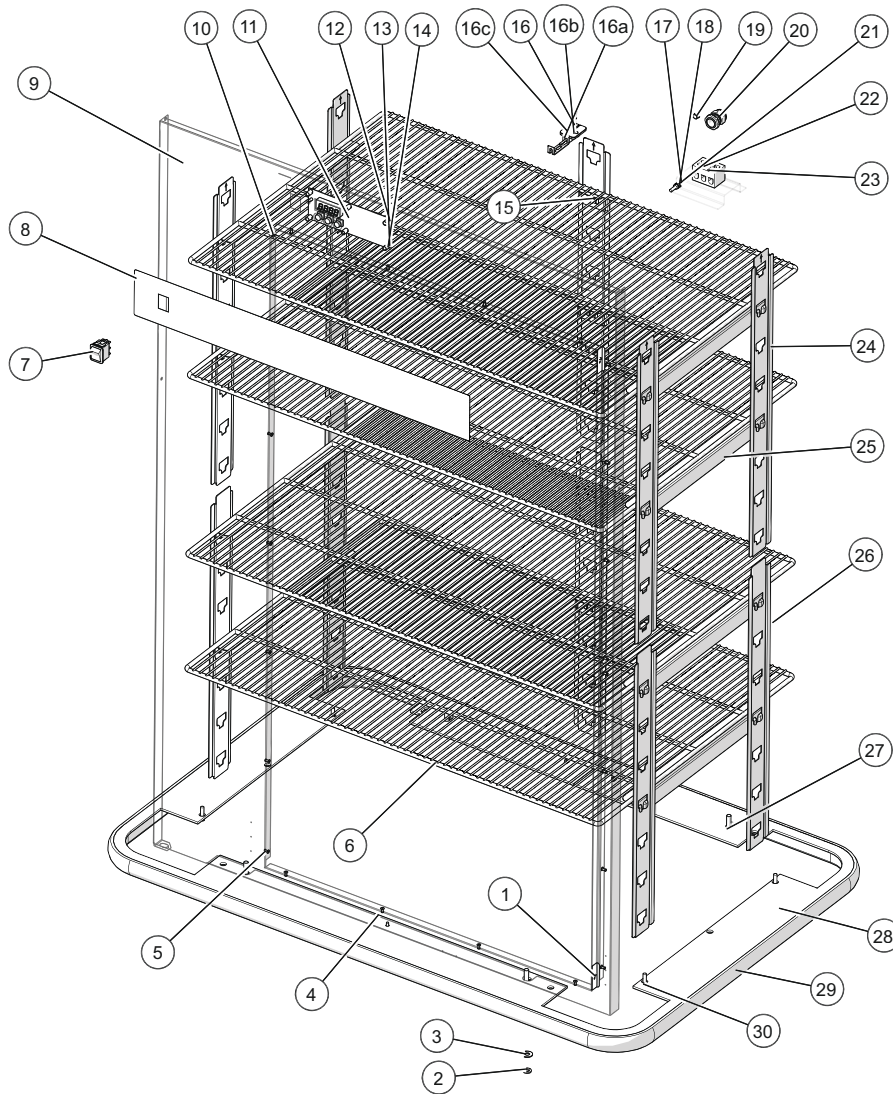
ID	Part No.	Description	Qty
1	SC-22273	SCREW,M4x0.7X10MM PAN	3
2	SC-22279	SCREW, M8x1.25x30MM HEX	4
3	RI-2097	#42 STAINLESS RIVET	4
4	SC-28256	SCREW, M6X1X20MM HEX FLG	2
5	RI-2100	RIVET,BLIND,#44,STNLS	24
6	SH-2835	SHELF, NICKEL CHROME, BQ	4
7	SW-38665	SWITCH,ROCKER,DPDT,20A,125V,	1
8	PE-48062	PANEL,OVERLAY,ELAN,BQ2/96,128,	1
9	5013358	BQ96 FRONT TRIM STUD ASSB	1
10	1012115	BQ96 FRONT TRIM DUST COVER	4
11	SP-29392	SPACER, SNAP-IN, 7/16"	6
12	WS-23148	WASHER, 6-32, FLAT, NYL	4
13	NU-2361	NUT, 6-32 HEX, S/S	4
14	CC-34970	ELAN WARMER CONTROL	1
15	SN-38111	SENSOR	1
15A	1493	GUARD SENSOR,W/MW	1
15B	BK-29605	BLOCK, SENSOR, ELEC. CONTROL	1
16	NU-36234	NUT, M5, KEPS	3
17	SC-38128	SCREW,PAN PH, METRIC, M5	1
18	WS-2467	WASHER, INT. LOCK	1
19	BK-3019	T-BLOCK	1
20	SC-2365	SCREW,6-32X1-1/4,NC PHILLIPS	2
21	SC-22924	HHCS, M6 X 20, W/NO MARKING	1
22	NU-22770	NUT, THREADED INSERT, M6	1
23	BU-3964	BUSHING,STRAIGHT,STRAIN RELIEF	1
24	WS-22302	WASHER, SPLIT LOCK	2
25	WS-22297	WASHER, FLAT	2
26	11533	CLIP,SHELF	4
27	1012308	BQ TOP CLIP SUPPORT	5
28	1061	SHELF SLIDE	8
29	1015195	BRACKET, SUPPORT BOTTOM CLIP	5
30	BM-24950	BUMPER, ALUMINUM FRAME BQ96	1
31	BM-24766	BUMPER,PERIMETER,RUBBER	1
32	WS-23725	5/16 FLAT WASHER	4
33	WS-2867	WASHER, LOCK, 5/16 DIA.	4

Electrical Package A, 1000-BQ2/128 (120V)



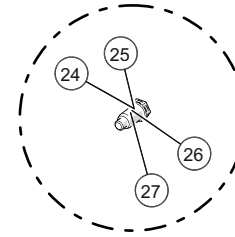
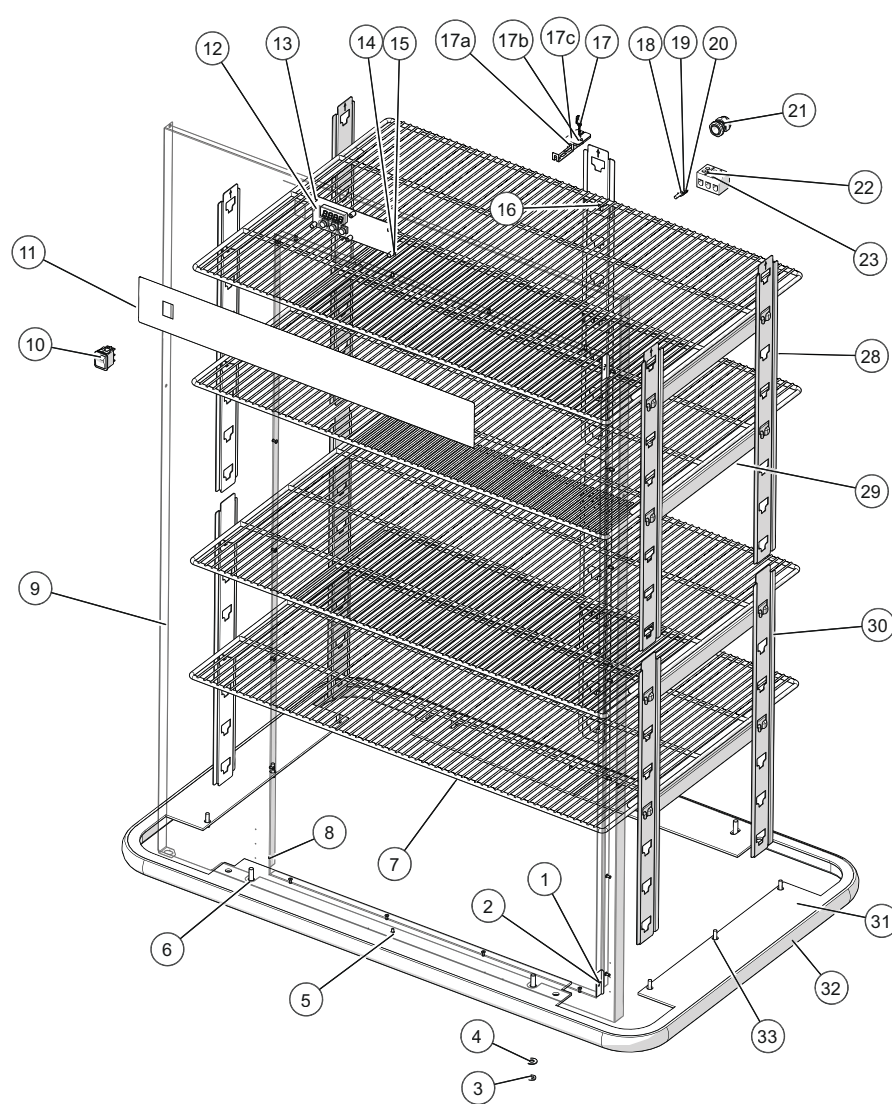
ID	Part No.	Description	Qty
1	RI-2097	#42 STAINLESS RIVET	3
2	1012115	BQ96 FRONT TRIM DUST COVER	2
3	WS-23725	5/16 FLAT WASHER	4
4	WS-2867	WASHER, LOCK, 5/16 DIA.	4
5	SC-22273	SCREW,M4x0.7X10MM PAN	3
6	SC-22279	SCREW, M8x1.25x30MM HEX	4
7	SH-22727	SHELF, NICKEL CHROME, BQ128	4
8	RI-2100	RIVET,BLIND,#44,STNLS	26
9	SW-38665	SWITCH,ROCKER,DPDT,20A,125V,	1
10	PE-48062	PANEL,OVERLAY,ELAN,BQ2/96,128,	1
11	5013403	BQ128 FRONT TRIM STUD ASSB	1
12	NU-2361	NUT, 6-32 HEX, S/S	4
13	CC-34970	ELAN WARMER CONTROL, PUSHBUTTON	1
14	WS-23148	WASHER, 6-32, FLAT, NYL	4
15	SP-29392	SPACER, SNAP-IN, 7/16"	6
16	11533	CLIP,SHELF	4
17	SN-38111	SENSOR, 1000 OHM, 110" WIRE,	1
17a	1493	GUARD SENSOR,W/MW	1
17b	BK-29605	BLOCK, SENSOR, ELEC. CONTROL	1
17c	SC-22271	SCREWS,M4-0.7X6MM PHIL	2
19	NU-36234	NUT, M5, KEPS	3
20	WS-2467	WASHER, INT. LOCK	1
21	SC-38128	SCREW,PAN PH, METRIC, M5	1
22	PG-25574	3/8" HOLE PLUG	1
23	BU-3964	BUSHING,STRAIGHT,STRAIN RELIEF	1
24	SC-2365	SCREW,6-32X1-1/4,NC PHILLIPS	2
25	BK-3019	T-BLOCK	1
26	1061	SHELF SLIDE	8
27	1012308	BQ TOP CLIP SUPPORT	5
28	1015195	BRACKET, SUPPORT BOTTOM CLIP	5
29	BM-28030	BUMPER, BQ-128	1
30	BM-24766	BUMPER,PERIMETER,RUBBER	1
31	SC-28256	SCREW, M6X1X20MM HEX FLG	6

Electrical Package B, 1000-BQ2/128 (208/240V)



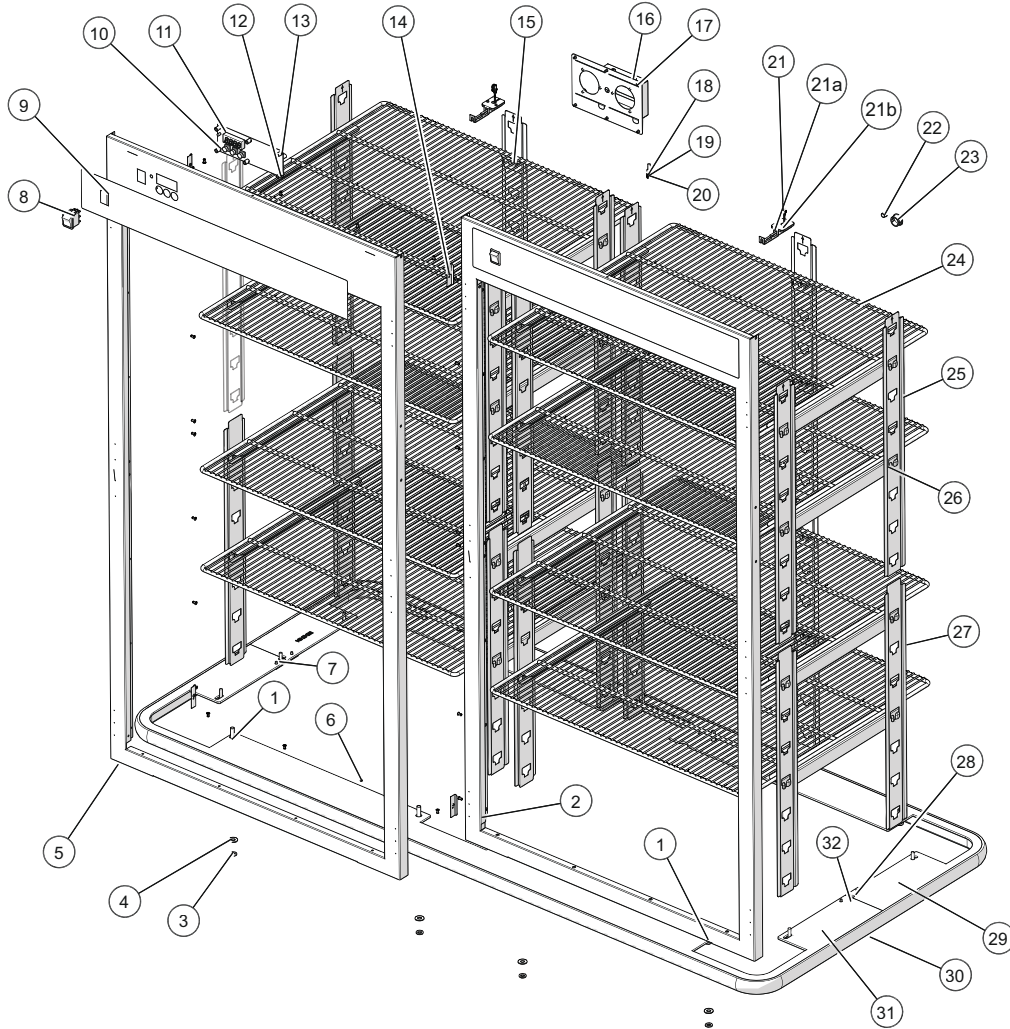
ID	Part No.	Description	Qty
1	1012115	BQ96 FRONT TRIM DUST COVER	2
2	WS-2867	WASHER, LOCK, 5/16 DIA.	4
3	WS-23725	5/16 FLAT WASHER	4
4	SC-22273	SCREW,M4x0.7X10MM PAN	3
5	RI-2100	RIVET,BLIND,#44,STNLS	26
6	SH-22727	SHELF, NICKEL CHROME, BQ128	4
7	SW-38665	SWITCH,ROCKER,DPDT,20A,125V,	1
8	PE-48062	PANEL,OVERLAY,ELAN,BQ2/96,128,	1
9	5013403	BQ128 FRONT TRIM STUD ASSB	1
10	RI-2097	#42 STAINLESS RIVET	3
11	CC-34970	ELAN WARMER CONTROL, PUSHBUTTON	1
12	WS-23148	WASHER, 6-32, FLAT, NYL	4
13	NU-2361	NUT, 6-32 HEX, S/S	4
14	SP-29392	SPACER, SNAP-IN, 7/16"	6
15	11533	CLIP,SHELF	4
16	SN-38111	SENSOR, 1000 OHM, 110" WIRE,	1
16a	1493	GUARD SENSOR,W/MW	1
16b	BK-29605	BLOCK, SENSOR, ELEC. CONTROL	1
16c	SC-22271	SCREWS,M4-0.7X6MM PHIL	2
17	WS-2467	WASHER, INT. LOCK	1
18	NU-36234	NUT, M5, KEPS	3
19	PG-25574	3/8" HOLE PLUG	1
20	BU-3964	BUSHING,STRAIGHT,STRAIN RELIEF	1
21	SC-38128	SCREW,PAN PH, METRIC, M5	1
22	SC-2365	SCREW,6-32X1-1/4,NC PHILLIPS	2
23	BK-3019	T-BLOCK	1
24	1012308	BQ TOP CLIP SUPPORT	5
25	1061	SHELF SLIDE	8
26	1015195	BRACKET, SUPPORT BOTTOM CLIP	5
27	SC-22279	SCREW, M8x1.25x30MM HEX	4
28	BM-28030	BUMPER, BQ-128	1
29	BM-24766	BUMPER,PERIMETER,RUBBER	1
30	SC-28256	SCREW, M6X1X20MM HEX FLG	4

Electrical Package C, 1000-BQ2/128 (230V)



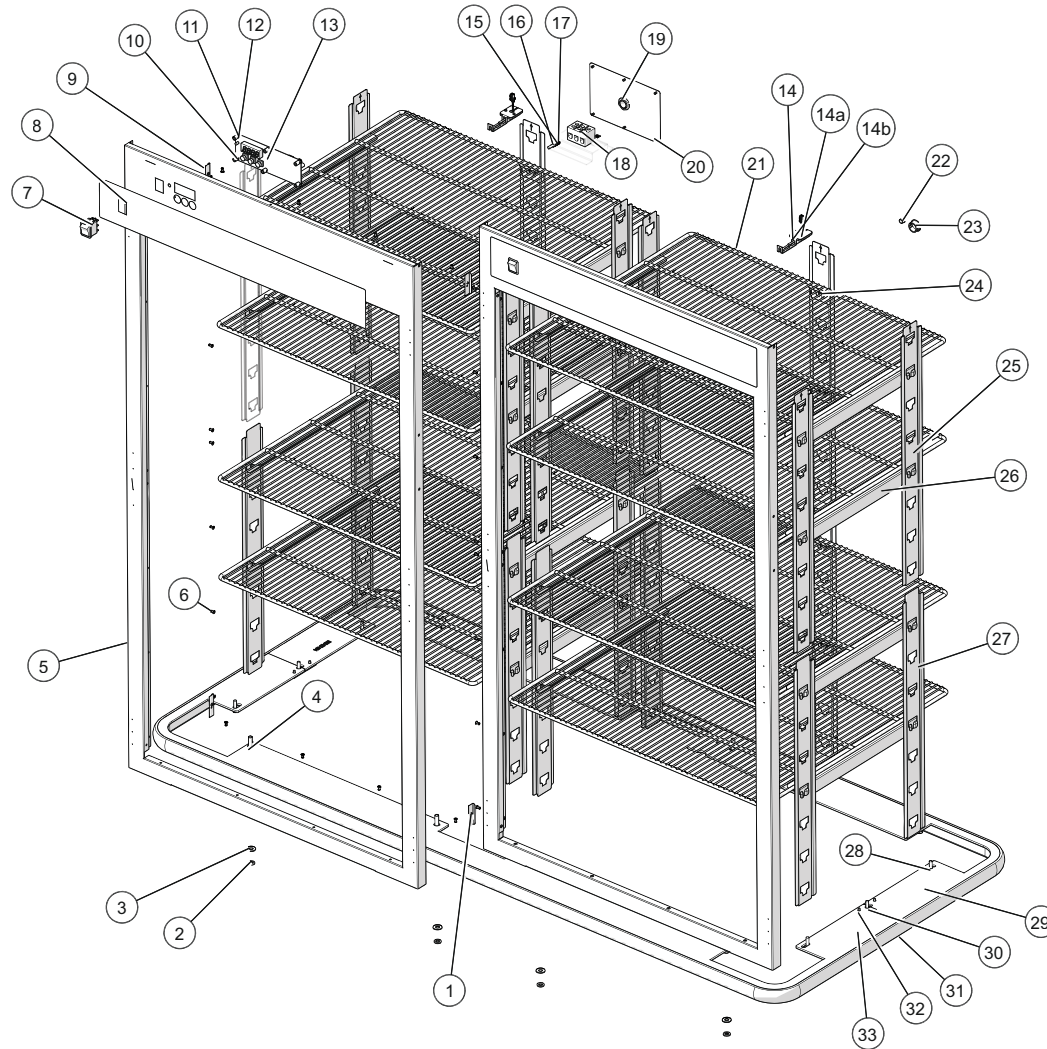
ID	Part No.	Description	Qty
1	RI-2097	#42 STAINLESS RIVET	3
2	1012115	BQ96 FRONT TRIM DUST COVER	2
3	WS-2867	WASHER, LOCK, 5/16 DIA.	4
4	WS-23725	5/16 FLAT WASHER	4
5	SC-22273	SCREW, M4x0.7X10MM PAN	3
6	SC-22279	SCREW, M8x1.25x30MM HEX	4
7	SH-22727	SHELF, NICKEL CHROME, BQ128	4
8	RI-2100	RIVET, BLIND, #44, STNLS	26
9	5013403	BQ128 FRONT TRIM STUD ASSB	1
10	SW-38665	SWITCH, ROCKER, DPDT, 20A, 125V,	1
11	PE-48062	PANEL, OVERLAY, ELAN, BQ2/96, 128,	1
12	CC-34970	ELAN WARMER CONTROL, PUSHBUTTON	1
13	SP-29392	SPACER, SNAP-IN, 7/16"	6
14	NU-2361	NUT, 6-32 HEX, S/S	4
15	WS-23148	WASHER, 6-32, FLAT, NYL	4
16	11533	CLIP, SHELF	4
17	SN-38111	SENSOR, 1000 OHM, 110" WIRE,	1
17a	1493	GUARD SENSOR, W/MW	1
17b	BK-29605	BLOCK, SENSOR, ELEC. CONTROL	1
17c	SC-22271	SCREWS, M4-0.7X6MM PHIL	2
18	NU-36234	NUT, M5, KEPS	3
19	SC-38128	SCREW, PAN PH, METRIC, M5	1
20	WS-2467	WASHER, INT. LOCK	1
21	BU-3964	BUSHING, STRAIGHT, STRAIN RELIEF	1
22	SC-23665	SCREW, 6-32X1-1/4, NC PHILLIPS	2
23	BK-3019	T-BLOCK	1
24	WS-22302	WASHER, SPLIT LOCK	2
25	SC-22924	HHCS, M6 X 20, W/NO MARKING	1
26	WS-22297	WASHER, FLAT	2
27	NU-22770	NUT, THREADED INSERT, M6	1
28	1012308	BQ TOP CLIP SUPPORT	5
29	1061	SHELF SLIDE	8
30	1015195	BRACKET, SUPPORT BOTTOM CLIP	5
31	BM-24951	BUMPER BQ-128	1
32	BM-24766	BUMPER, PERIMETER, RUBBER	1
33	SC-28256	SCREW, M6X1X20MM HEX FLG	6

Electrical Package A, 1000-BQ2/192 (120V)



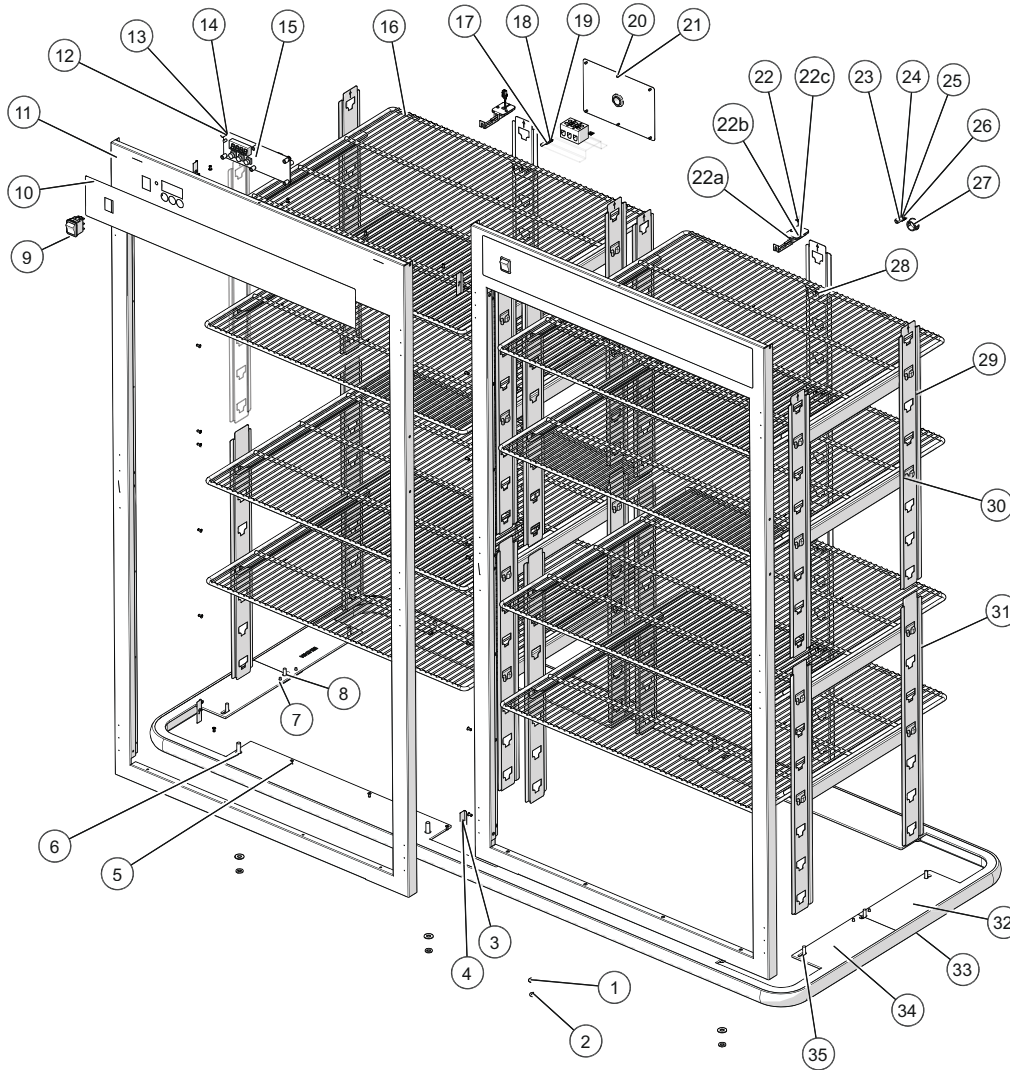
ID	Part No.	Description	Qty
1	SC-22279	SCREW, M8x1.25x30MM HEX	8
2	RI-2097	#42 STAINLESS RIVET	8
3	WS-2867	WASHER, LOCK, 5/16 DIA.	8
4	WS-23725	5/16 FLAT WASHER	8
5	5013358	BQ96 FRONT TRIM STUD ASSB	2
6	RI-2100	RIVET,BLIND,#44,STNLS	56
7	SC-28256	SCREW, M6X1X20MM HEX FLG	6
8	SW-38665	SWITCH,ROCKER,DPDT,20A,125V,	2
9	PE-48062	PANEL,OVERLAY,ELAN,BQ2/96,128,	2
10	WS-23148	WASHER, 6-32, FLAT, NYL	8
11	CC-34970	ELAN WARMER CONTROL	2
12	SP-29392	SPACER, SNAP-IN, 7/16"	12
13	NU-2361	NUT, 6-32 HEX, S/S	8
14	1012115	BQ96 FRONT TRIM DUST COVER	8
15	11533	CLIP,SHELF	8
16	5811	INLET ASSEMBLY, CORD	1
17	RI-2094	RIVET,BLIND,#43,LRG FLG,STNLS,	6
18	NU-36234	NUT, M5, KEPS	3
19	SC-38128	SCREW,PAN PH, METRIC, M5	1
20	WS-2467	WASHER, INT. LOCK	1
21	SN-38111	SENSOR	2
21a	1493	GUARD SENSOR,W/MMW	2
21b	BK-29605	BLOCK, SENSOR, ELEC. CONTROL	2
22	PG-25574	3/8" HOLE PLUG	1
23	PG-3559	PLUG, 7/8" HOLE, NYLON, BLACK	1
24	SH-2835	SHELF, NICKEL CHROME, BQ	8
25	1012308	BQ TOP CLIP SUPPORT	10
26	1061	SHELF SLIDE	16
27	1015195	BRACKET, SUPPORT BOTTOM CLIP	10
28	SC-22273	SCREW,M4x0.7X10MM PAN	4
29	BM-27494	BQ/192 REAR BUMPER HALF	1
30	BM-24766	BUMPER,PERIMETER,RUBBER	1
31	BM-27495	BQ/192 FRONT BUMPER	1
32	1007053	BRACKET, SEAM	2

Electrical Package B, 1000-BQ2/192 (208/240V)



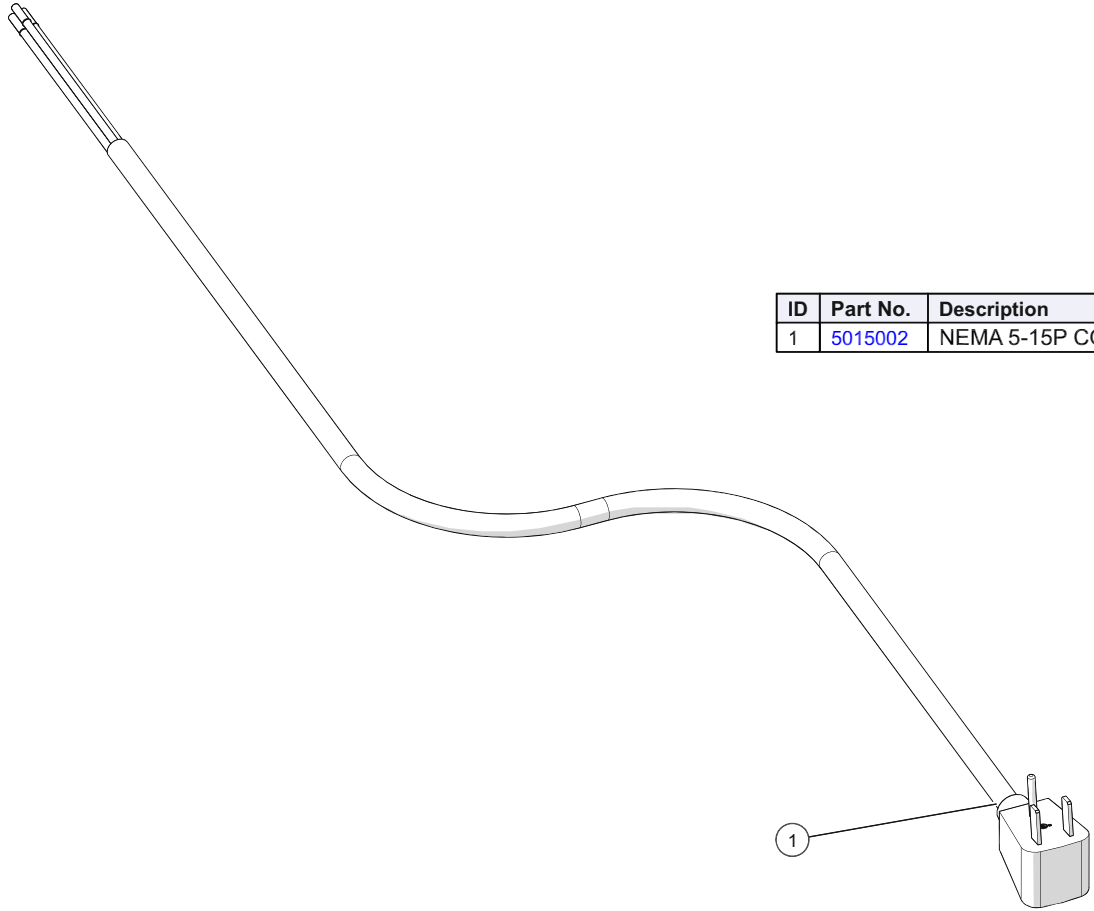
ID	Part No.	Description	Qty
1	RI-2097	#42 STAINLESS RIVET	8
2	WS-2867	WASHER, LOCK, 5/16 DIA.	8
3	WS-23725	5/16 FLAT WASHER	8
4	SC-22279	SCREW, M8x1.25x30MM HEX	8
5	5013358	BQ96 FRONT TRIM STUD ASSB	2
6	RI-2100	RIVET,BLIND,#44,STNLS	56
7	SW-38665	SWITCH,ROCKER,DPDT,20A,125V,	2
8	PE-48062	PANEL,OVERLAY,ELAN,BQ2/96,128,	2
9	1012115	BQ96 FRONT TRIM DUST COVER	8
10	SP-29392	SPACER, SNAP-IN, 7/16"	12
11	WS-23148	WASHER, 6-32, FLAT, NYL	8
12	NU-2361	NUT, 6-32 HEX, S/S	8
13	CC-34970	ELAN WARMER CONTROL	2
14	SN-38111	SENSOR	2
14a	BK-29605	BLOCK, SENSOR, ELEC. CONTROL	2
14b	1493	GUARD SENSOR,W/MW	2
15	SC-38128	SCREW,PAN PH, METRIC, M5	1
16	NU-36234	NUT, M5, KEPS	3
17	WS-2467	WASHER, INT. LOCK	1
18	BK-3019	T-BLOCK	1
19	1012188	BQ192 CORD PLATE	1
20	RI-2094	RIVET,BLIND,#43,LRG FLG,STNLS,	6
21	SH-2835	SHELF, NICKEL CHROME, BQ	8
22	PG-25574	3/8" HOLE PLUG	1
23	PG-3559	PLUG, 7/8" HOLE, NYLON, BLACK	1
24	11533	CLIP,SHELF	8
25	1012308	BQ TOP CLIP SUPPORT	10
26	1061	SHELF SLIDE	16
27	1015195	BRACKET, SUPPORT BOTTOM CLIP	10
28	SC-28256	SCREW, M6X1X20MM HEX FLG	6
29	BM-27494	BQ/192 REAR BUMPER HALF	1
30	1007053	BRACKET, SEAM	2
31	BM-24766	BUMPER,PERIMETER,RUBBER	1
32	SC-22273	SCREW,M4x0.7X10MM PAN	4
33	BM-27495	BQ/192 FRONT BUMPER	1

Electrical Package C, 1000-BQ2/192 (230V)



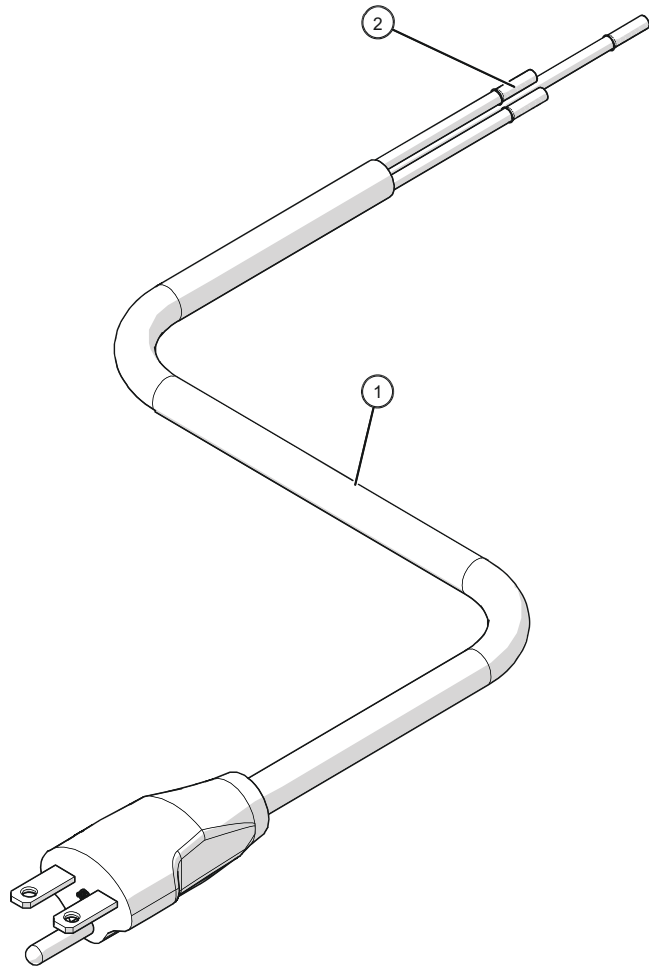
ID	Part No.	Description	Qty
1	WS-23725	5/16 FLAT WASHER	8
2	WS-2867	WASHER, LOCK, 5/16 DIA.	8
3	RI-2097	#42 STAINLESS RIVET	8
4	1012115	BQ96 FRONT TRIM DUST COVER	8
5	RI-2100	RIVET,BLIND,#44,STNLS	56
6	SC-22279	SCREW, M8x1.25x30MM HEX	8
7	SC-22273	SCREW,M4x0.7X10MM PAN	4
8	1007053	BRACKET, SEAM	2
9	SW-38665	SWITCH,ROCKER,DPDT,20A,125V,	2
10	PE-48062	PANEL,OVERLAY,ELAN,BQ2/96,128,	2
11	5013358	BQ96 FRONT TRIM STUD ASSB	2
12	SP-29392	SPACER, SNAP-IN, 7/16"	12
13	WS-23148	WASHER, 6-32, FLAT, NYL	8
14	NU-2361	NUT, 6-32 HEX, S/S	8
15	CC-34970	ELAN WARMER CONTROL	2
16	SH-2835	SHELF, NICKEL CHROME, BQ	8
17	NU-36234	NUT, M5, KEPS	3
18	SC-38128	SCREW,PAN PH, METRIC, M5	1
19	WS-2467	WASHER, INT. LOCK	1
20	1012188	BQ192 CORD PLATE	1
21	RI-2094	RIVET,BLIND,#43,LRG FLG,STNLS,	6
22	SN-38111	SENSOR, 1000 OHM, 110" WIRE	4
22a	1493	GUARD SENSOR,W/MW	2
22b	BK-29605	BLOCK, SENSOR, ELEC. CONTROL	2
22c	SC-22271	SCREWS,M4-0.7X6MM PHIL	4
23	NU-22770	NUT, THREADED INSERT, M6	1
24	WS-22297	WASHER, FLAT	2
25	WS-22302	WASHER, SPLIT LOCK	2
26	SC-22924	HHCS, M6 X 20, W/NO MARKING	1
27	PG-3559	PLUG, 7/8" HOLE, NYLON, BLACK	1
28	11533	CLIP,SHELF	8
29	1012308	BQ TOP CLIP SUPPORT	10
30	1061	SHELF SLIDE	16
31	1015195	BRACKET, SUPPORT BOTTOM CLIP	10
32	BM-27494	BQ/192 REAR BUMPER HALF	1
33	BM-24766	BUMPER,PERIMETER,RUBBER	1
34	BM-28032	FRONT BUMPER BQ2 192 230V	1
35	SC-28256	SCREW, M6X1X20MM HEX FLG	6

Cordset Assembly, NEMA 5-15P



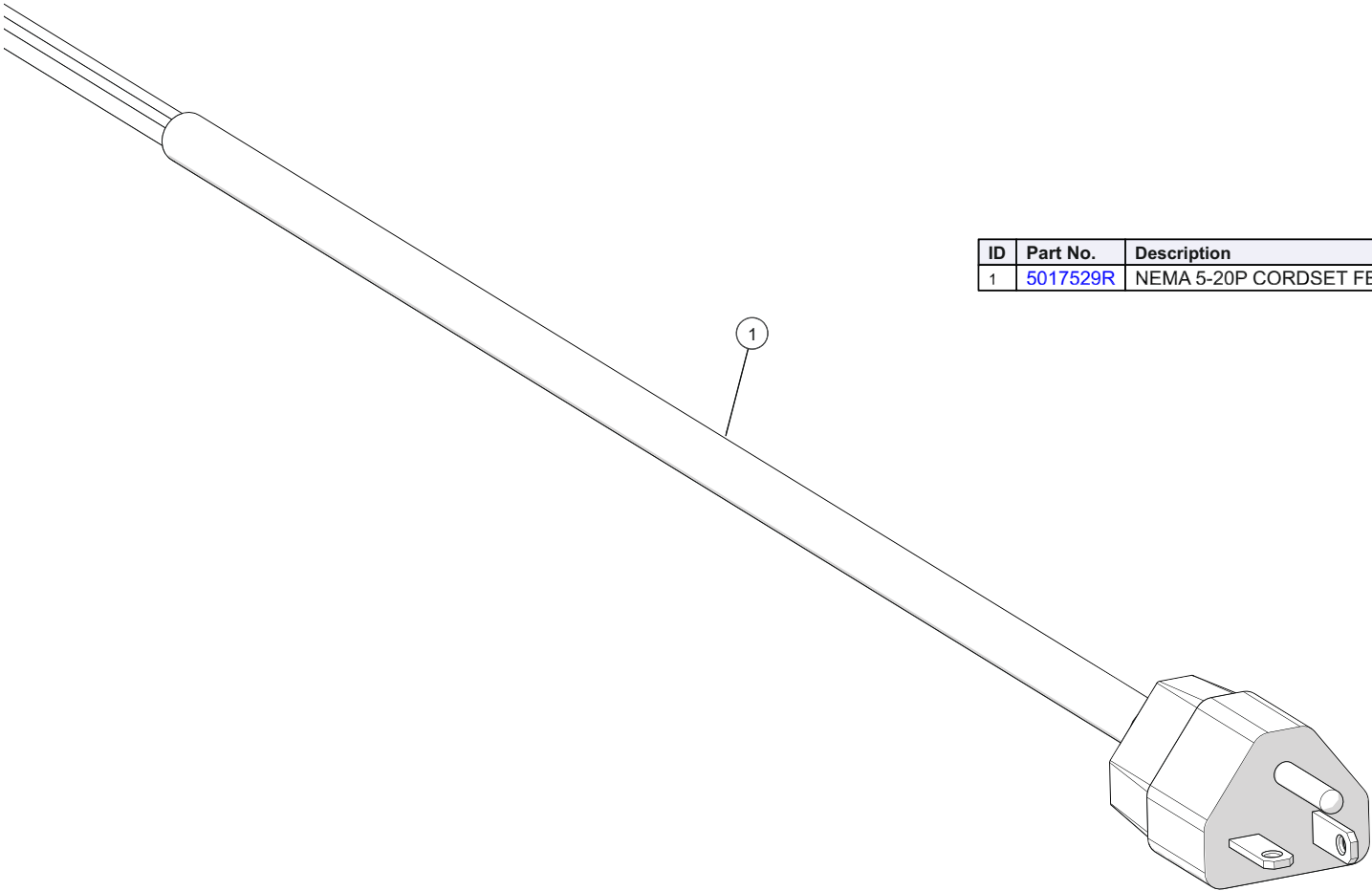
ID	Part No.	Description
1	5015002	NEMA 5-15P CORDSET FERRULE ASSEMBLY

Cordset Assembly, NEMA 6-15P



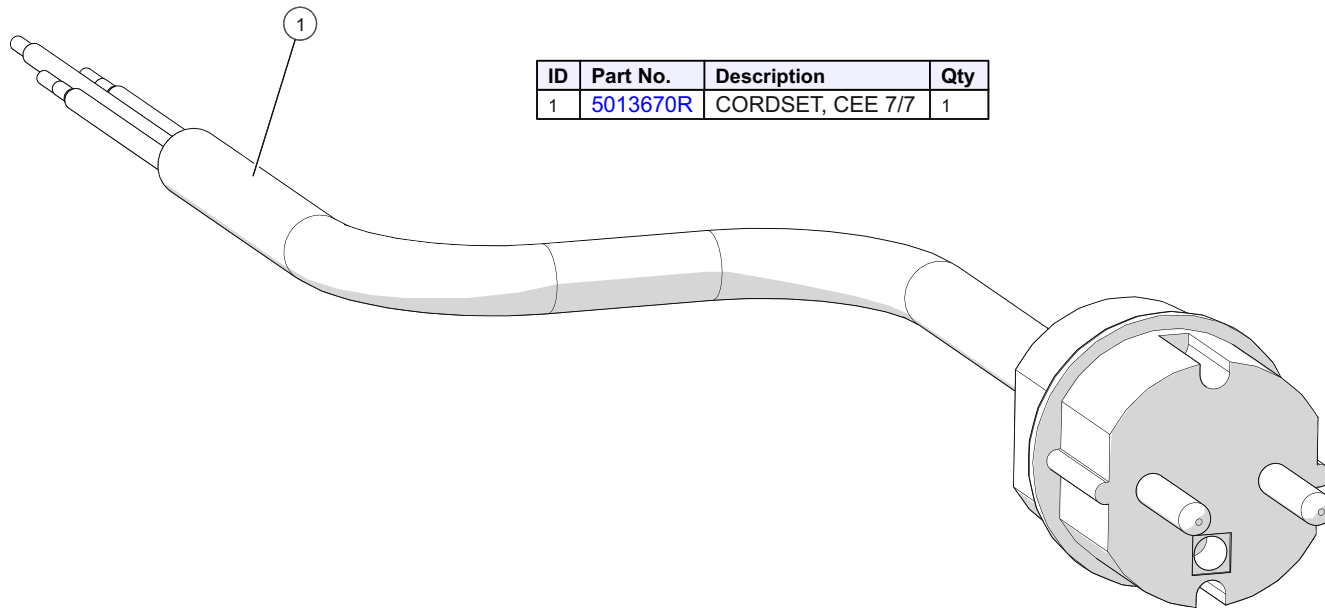
ID	Part No.	Description
1	CD-3551	CORDSET, 14/3 SJTO, 250V
2	CR-34829	CONNECTOR, #14 FERRULE

Cordset Assembly, NEMA 5-20P



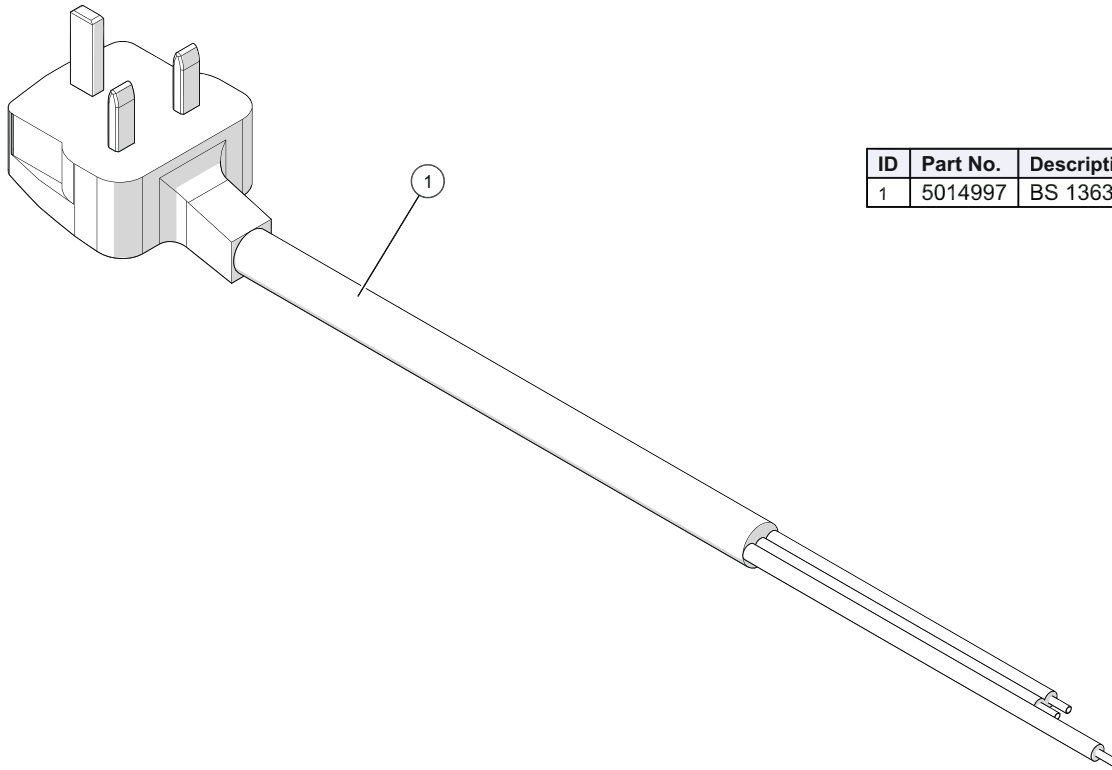
ID	Part No.	Description	Qty
1	5017529R	NEMA 5-20P CORDSET FERRULE ASSEMBLY	1

Cordset Assembly, CEE 7/7



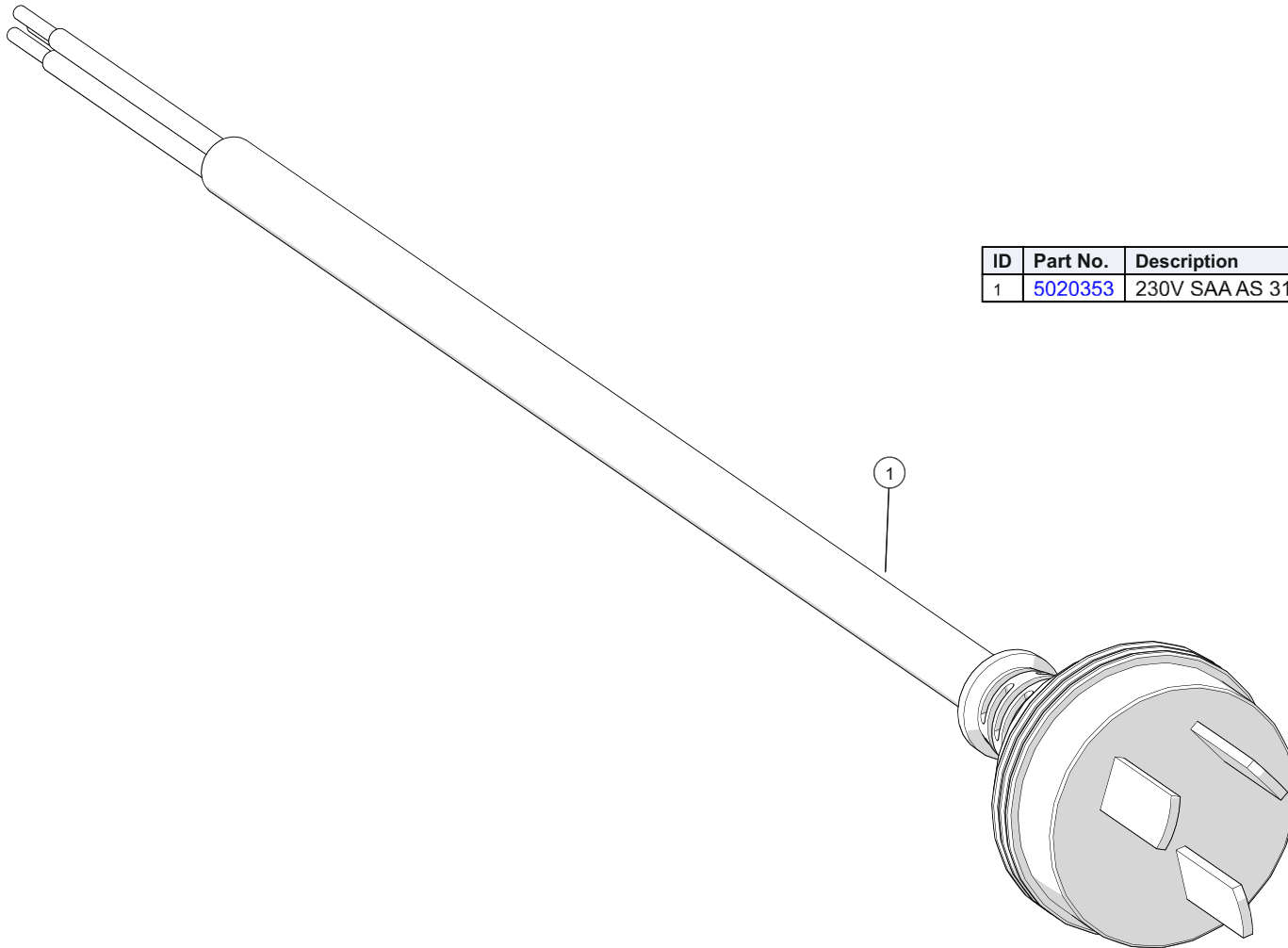
ID	Part No.	Description	Qty
1	5013670R	CORDSET, CEE 7/7	1

Cordset Assembly, BS 1363



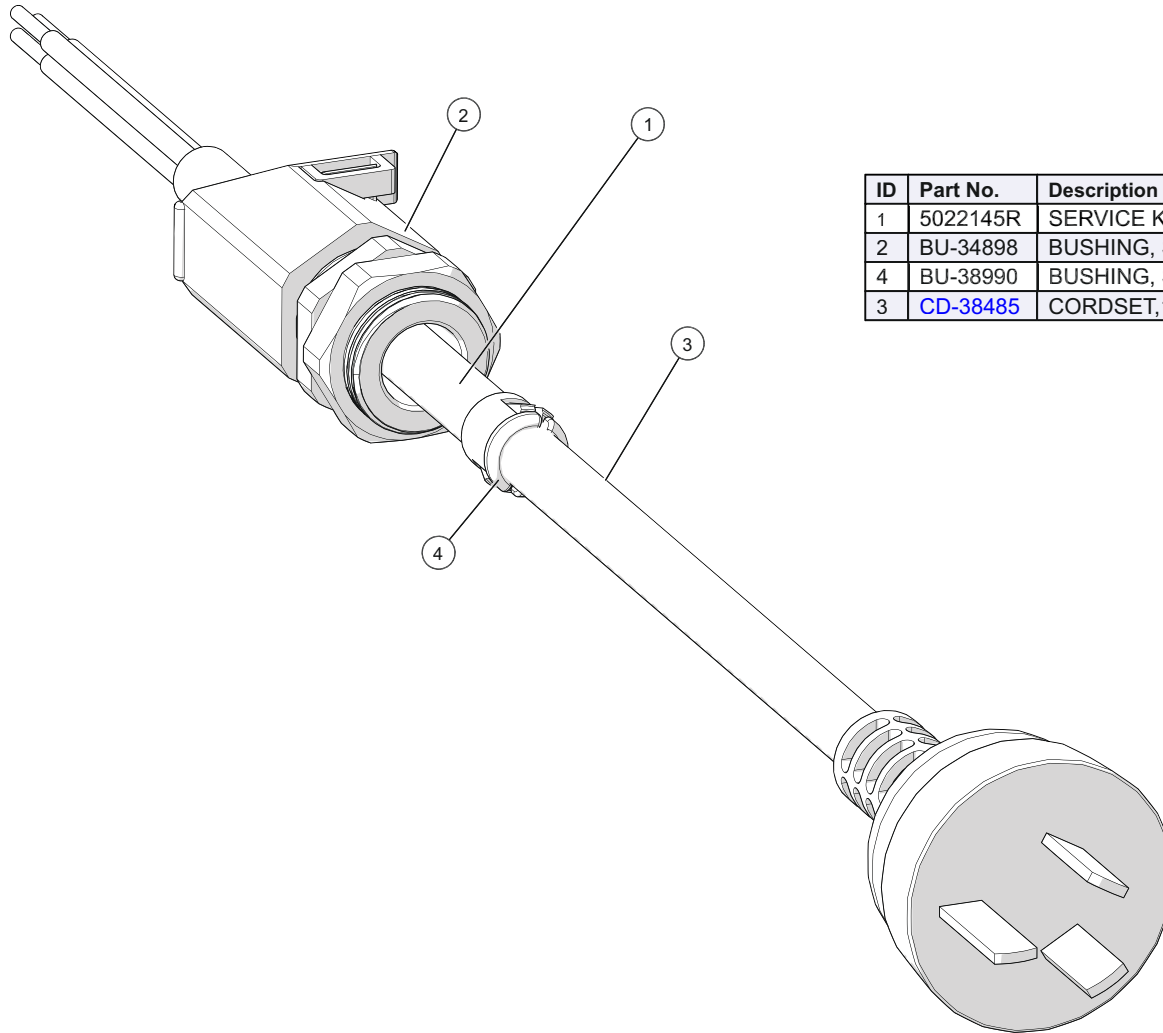
ID	Part No.	Description	Qty
1	5014997	BS 1363 CORDSET	1

Cordset Assembly, SAA AS 3112-16P



ID	Part No.	Description	Qty
1	5020353	230V SAA AS 3112-16P CORDSET	1

Cordset Assembly, AS/NZS 3112:2000 10A-250V



ID	Part No.	Description	Qty
1	5022145R	SERVICE KIT, CORDSET,10A-250V	1
2	BU-34898	BUSHING, STRAIN RELIEF, 90°, BLK	1
4	BU-38990	BUSHING, SNUB, 3/16" CABLE	1
3	CD-38485	CORDSET,10A-250V	1



ALTO-SHAAM.

Menomonee Falls, WI U.S.A.

Phone 800-558-8744 | +1-262-251-3800 | alto-shaam.com

ASIA

Shanghai, China
Phone +86-21-6173-0336

AUSTRALIA

Brisbane, Queensland
Phone 800-558-8744

CANADA

Concord, Ontario Canada
Toll Free Phone 866-577-4484
Phone +1-905-660-6781

FRANCE

Aix en Provence, France
Phone +33(0)4-88-78-21-73

GMBH

Bochum, Germany
Phone +49 (0)234 298798-0

ITALY

Padua, Italy
Phone +39 3476073504

INDIA

Pune, India
Phone +91 9657516999

MEXICO

Phone +52 1 477-717-3108

MIDDLE EAST & AFRICA

Dubai, UAE
Phone +971-4-321-9712

CENTRAL & SOUTH AMERICA

Miami, FL USA
Phone +1 954-655-5727

RUSSIA

Moscow, Russia
Phone +7 903 7932331