



# Cook & Hold Ovens Smoker Ovens

## Classic Control

1000-TH/I	1000-SK/I
1000-TH/II	1000-SK/II



## Manufacturer's Information

### Copyright

© Copyright 01/2024 by Alto-Shaam, Inc.  
 All rights reserved.  
 This manual or any portion thereof may not be reproduced or used in any manner whatsoever without the express written permission of Alto-Shaam, Inc

### Trademarks

All trademarks referenced in this documentation are the property of their respective owners.

### Manufacturer

Alto-Shaam, Inc.  
 P.O. Box 450  
 W164 N9221 Water Street  
 Menomonee Falls, WI 53052

### Models Covered

1000-TH/I, 1000-TH/II 1000-SK/I, 1000-SK/II	US (UL Certified) Models  International (CE Certified) Models
--	---

### Serial Number

The unit serial number is required for ordering the correct service parts. Record the unit serial number in the space provided below.

<b>Serial Number</b>

### Parts Ordering Information

Original manufacturer's replacement parts may be ordered directly from the Alto-Shaam network of Authorized Service Agents and Parts Distributors. Follow this link for a map to a local partner: <https://www.alto-shaam.com/en/how-to-buy>. If you are an Authorized Service Agent or Parts Distributor, please submit your purchase order to [parts@alto-shaam.com](mailto:parts@alto-shaam.com).

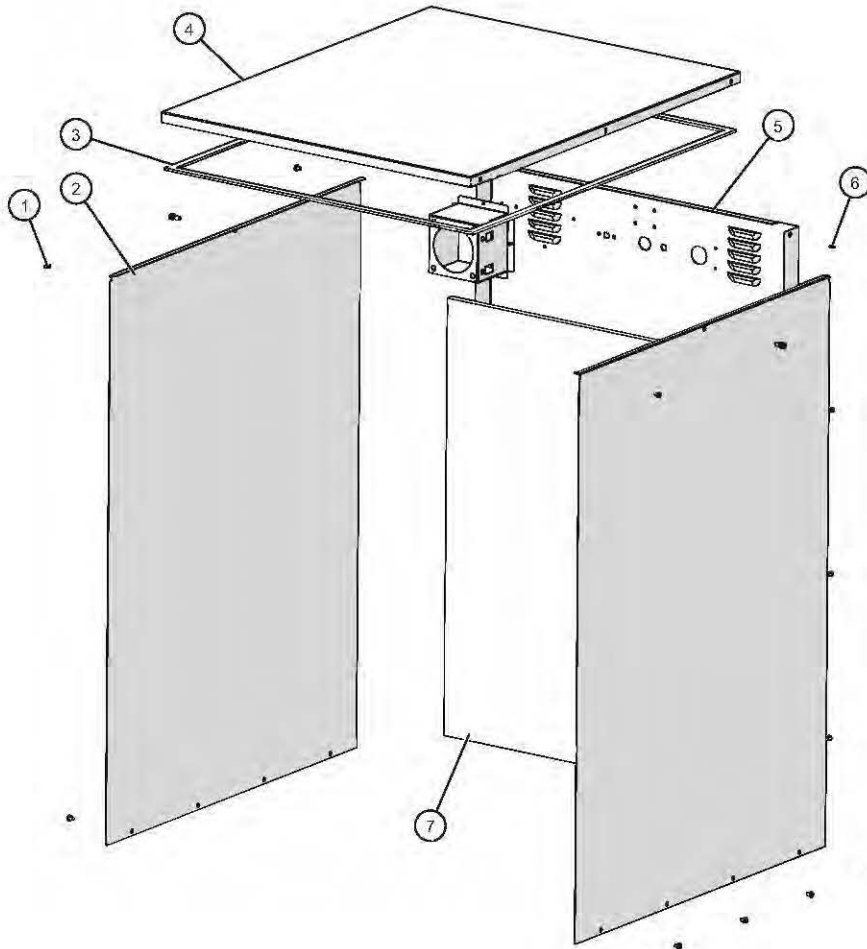
Non-OEM parts may be substituted; however, these parts must be of equal quality and specifications as those provided by Alto-Shaam.

# Table of Contents

- Manufacturer’s Information .....2
- Table of Contents .....3
- Exterior Panel Package “A”, Reach-In, 1000-TH .....4
- Exterior Panel Package “A”, Reach-In, 1000-TH/I .....5
- Exterior Panel Package “A”, Reach-In, S/S, 1000-TH/I .....6
- Exterior Panel Package “B”, Reach-In, Burgundy, 1000-TH/I .....7
- Exterior Panel Package “C”, Reach-In, Custom Color, 1000-TH/I .....8
- Exterior Panel Package “A”, 1000-SK .....9
- Exterior Panel Package “A”, 1000-SK/I, S/S ..... 10
- Cavity Package “A”, 1000-TH/I, Reach-In, 208-240V ..... 11
- Cavity Package “B”, 1000-TH/I, Pass-Thru, 208-240V ..... 12
- Cavity Package “A”, 1000-TH/II, Reach-In, 120V Bonnetless ..... 13
- Cavity Package “B”, 1000-TH/II, Reach-In, 208-240V Bonnetless .....14
- Cavity Package “D”, 1000-TH/II, Passthru, 208-240V Bonnetless .....15
- Cavity Package “A”, 1000-SK/I, Reach-In, 208-240V ..... 16
- Cavity Package “A”, 1000-SK/II, Reach-In, 208-240V ..... 17
- Cavity Package “A”, 1000-SK/II and -SK, Reach-In, 208-240V ..... 18
- Control Package “A,” 1000-TH/I, 208-240V ..... 19
- Control Package “B,” 1000-TH/I, 230V ..... 20
- Control Package “C,” 1000-TH/I, 208-240V ..... 21
- Control Package “D,” 1000-TH/I, 230V ..... 22
- Control Package “E,” 1000-TH/I, 208-240V ..... 23
- Control Package “A,” 1000-TH/II, 120V ..... 24
- Control Package “B,” 1000-TH/II, 208-240V ..... 25
- Control Package “C,” 1000-TH/II, 230V ..... 26
- Control Package “D,” 1000-TH/II, 120V ..... 27
- Control Package “E,” 1000-TH/II, 208-240V ..... 28
- Control Package “F,” 1000-TH/II, 208-240V ..... 29
- Control Package “F,” 1000-TH/II, 230V ..... 30
- Control Package “I,” 1000-TH/II, 208-240V ..... 31
- Control Package “A,” 1000-SK/I, 208-240V ..... 32
- Control Package “B,” 1000-SK/I, 230V ..... 33
- Control Package “C,” 1000-SK/I, 208-240V ..... 34
- Control Package “D,” 1000-SK/I, 230V ..... 35
- Control Package “A,” 1000-SK/II, 208-240V ..... 36

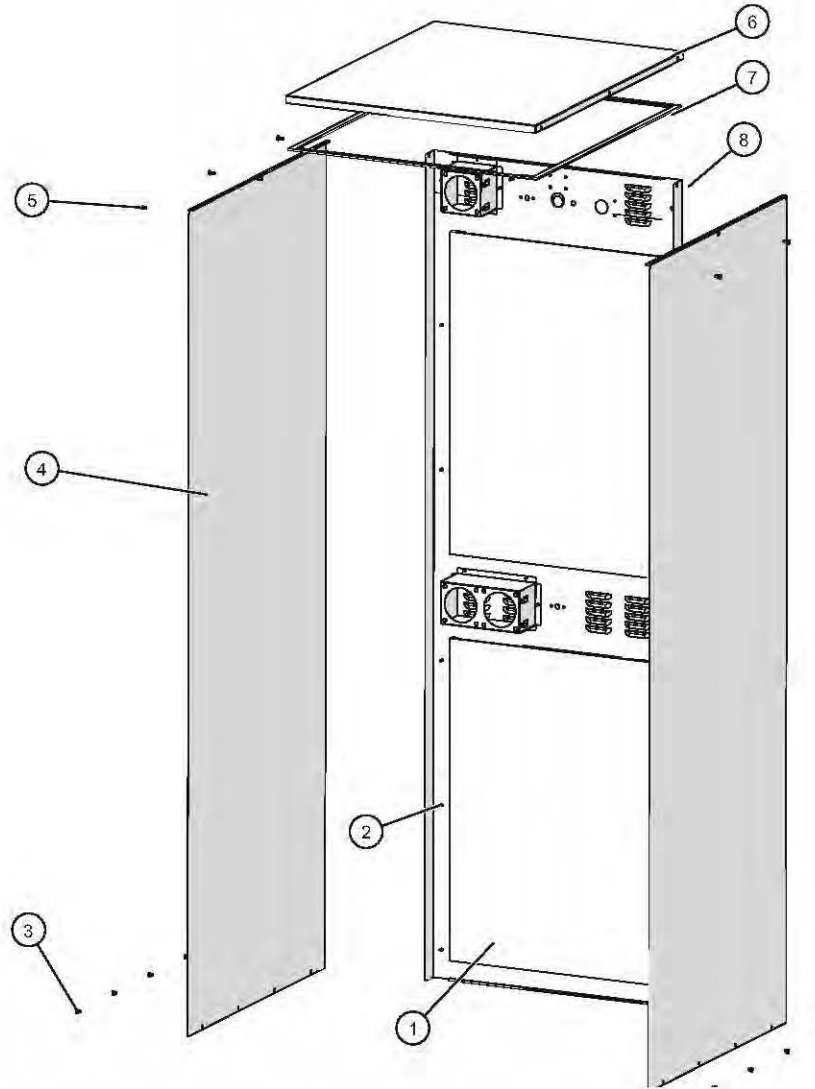
- Control Package “B,” 1000-SK/II, 230V ..... 37
- Mid-Bonnet Assembly, 1000-TH/I ..... 38
- Mid-Bonnet Assembly, 1000-TH/I 230V ..... 39
- Mid-Bonnet Assembly, 1000-SK/I 208-240V ..... 40
- Mid-Bonnet Assembly, 1000-SK/I, 230V ..... 41
- Bonnet Package “A,” 1000-SK/II ..... 42
- Electrical Chassis Assembly, 1000-TH/I, 208-240V ..... 43
- Electrical Chassis Assembly, 1000-TH/I, 230V ..... 44
- Electrical Chassis Assembly, 1000-TH/II, 120V ..... 45
- Electrical Chassis Assembly, 1000-TH/II, 208-240V ..... 46
- Electrical Chassis Assembly, 1000-TH/II, 230V ..... 47
- Electrical Chassis Assembly, 1000-SK, 208-240V ..... 48
- Electrical Chassis Assembly, 1000-SK, 230V ..... 49
- Electrical Chassis Assembly, 1000-SK/I, 208-240V ..... 50
- Electrical Chassis Assembly, 1000-SK/I, 230V ..... 51
- Chassis Bonnet Assembly, 1000-SK/II, 208-240V ..... 52
- Door Package “A,” RH Slab, 1000-THII ..... 53
- Door Package “B,” LH Slab, 1000-THII ..... 54
- Door Package “C,” RH Window, 1000-THII ..... 55
- Door Package “D,” LH Window, 1000-TH-II ..... 56
- Door Package “A,” RH Slab, 1000-SK/II ..... 57
- Door Package “B,” LH Slab, 1000-SK/II ..... 58
- Door Package “C,” RH Window, 1000-SK-II ..... 59
- Door Package “E,” RH Slab, Burgundy, 1000-SK-II ..... 60
- Door Package “I,” RH Slab, Custom Color, 1000-SK-II ..... 61
- Drip Tray Kit, 1000-TH Series ..... 62

## Exterior Panel Package "A", Reach-In, 1000-TH



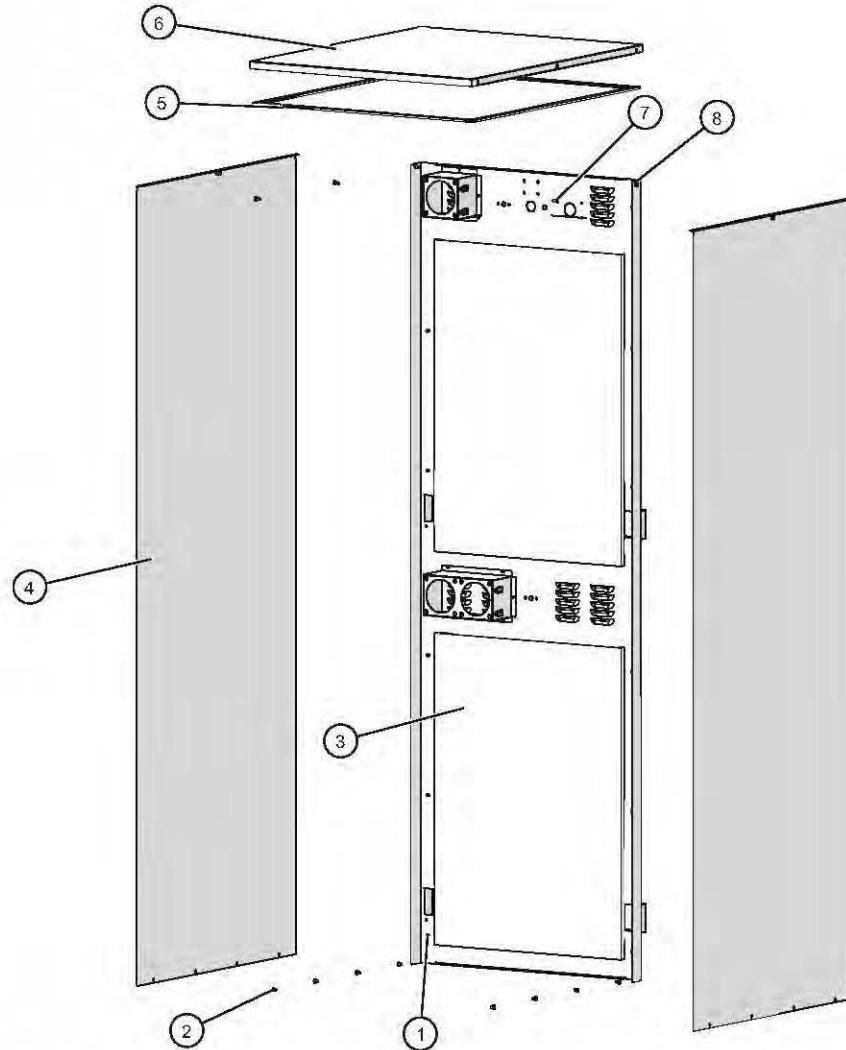
ID	Part No.	Description	Qty
1	SC-22271	SCREW,M4x0.7X6MM PAN	14
2	5015088	1000 SERIES SS	2
3	GS-23622	GASKET,ADHESIVE, 0.125X.0375	1
4	1011534	BONNET TOP COVER 1000	1
5	5014172	1000-TH REAR TRIM SPOT	1
6	RI-2100	RIVET,BLIND,#44,STNLS	8
7	IN-2003	1/2" BOARD INSULATION @ 18.75" x 26.75"	1

## Exterior Panel Package "A", Reach-In, 1000-TH/I



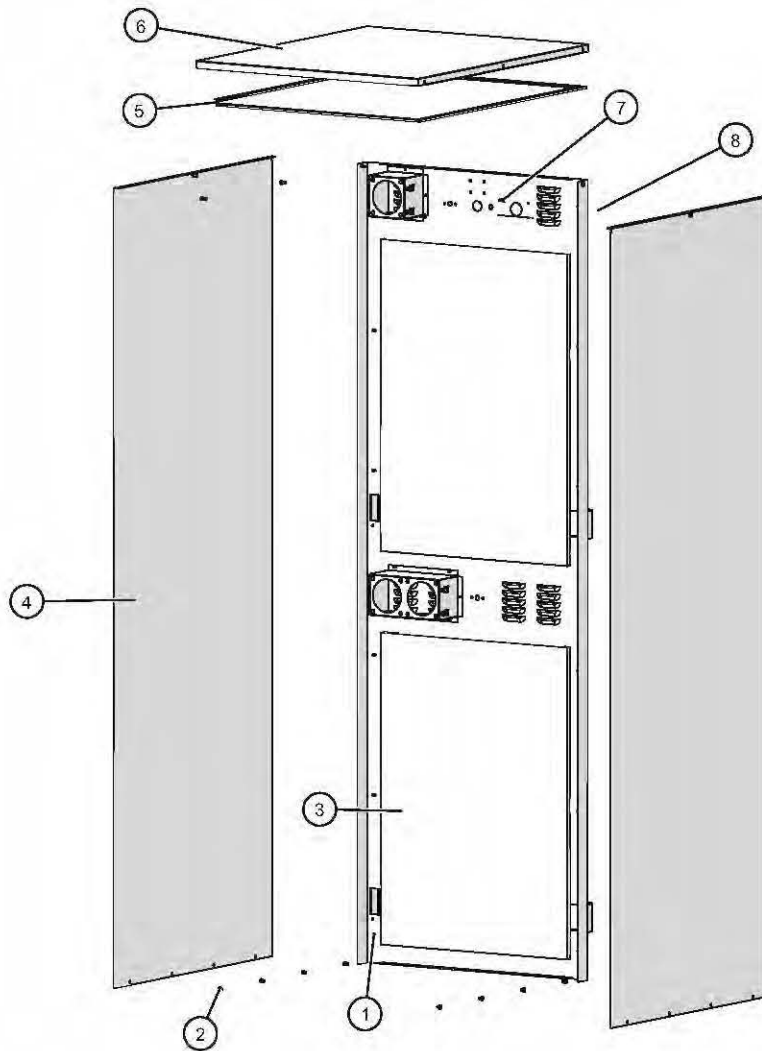
ID	Part No.	Description	Qty
1	IN-2003	INSULATION, 1/2" BD @ 18.75" x 26.75"	2
2	RI-2100	RIVET,BLIND,#44,STNLS	12
3	SC-22271	SCREW,M4x0.7X6MM PAN	8
4	5015105	1000/1200 SERIES S/S	2
5	SC-22273	SCREW,M4x0.7X10MM PAN	6
6	1011534	BONNET TOP COVER 1000	1
7	GS-23622	GASKET,ADHESIVE,.125X.375	1
8	5014268	1000/1200-TH REAR TRIM SPOT	1

## Exterior Panel Package "A", Reach-In, S/S, 1000-TH/I



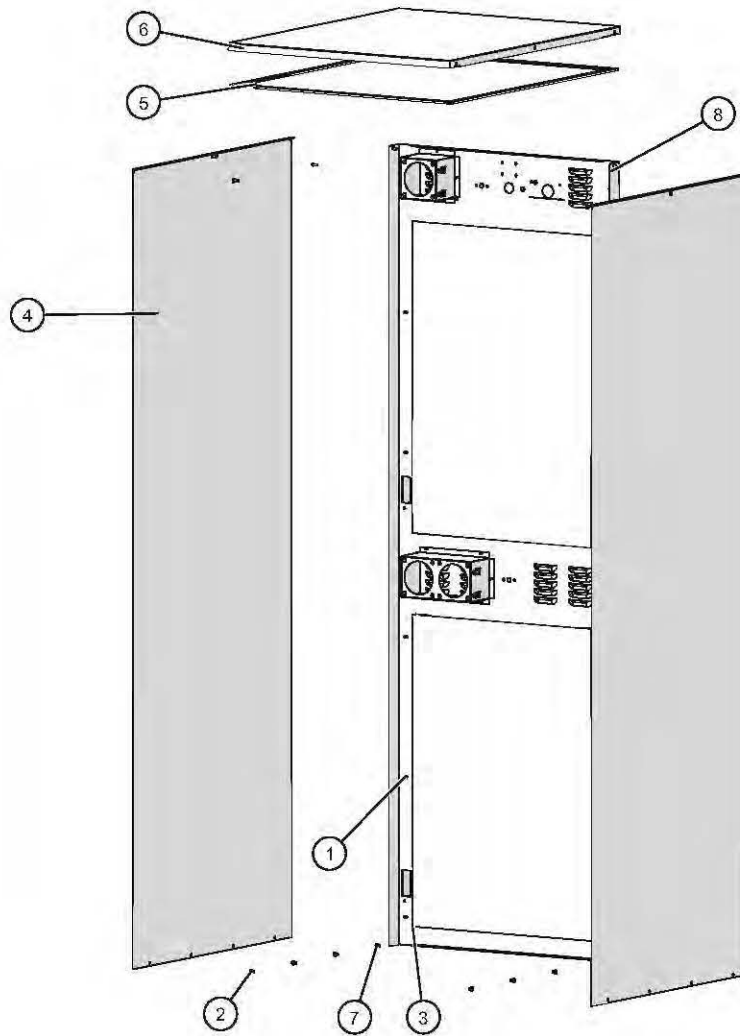
ID	Part No.	Description	Qty
1	RI-2100	RIVET,BLIND,#44,STNLS	12
2	SC-22271	SCREW,M4x0.7X6MM PAN	16
3	IN-2003	INSULATION 1/2" BD @ 18.75" x 26.75"	2
4	5015105	1000/1200 SERIES S/S	2
5	GS-23622	GASKET, ADHESIVE, .125X.375	1
6	1011534	BONNET TOP COVER 1000	1
7	SC-22273	SCREW,M4x0.7X10MM PAN	6
8	5014293	1000/1200-SK REAR TRIM SPOT	1

## Exterior Panel Package "B", Reach-In, Burgundy, 1000-TH/I



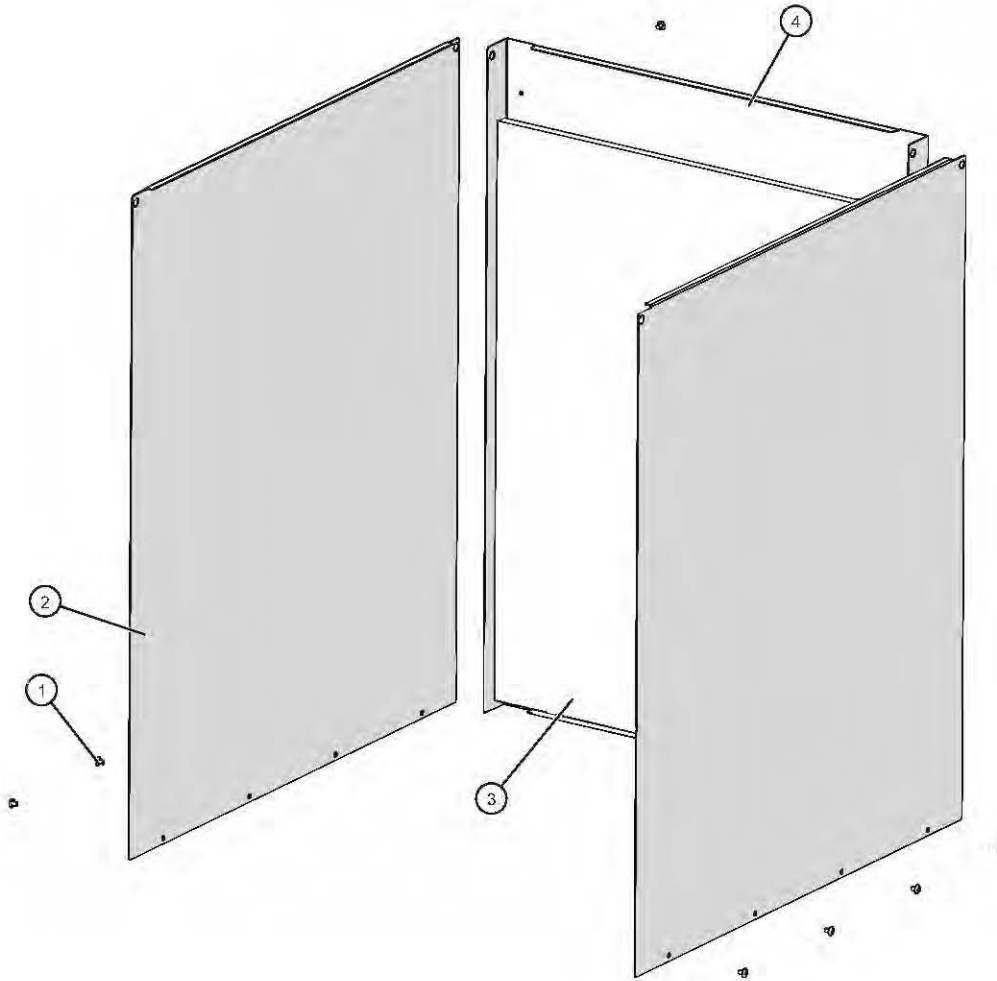
ID	Part No.	Description	Qty
1	RI-2100	RIVET,BLIND,#44,STNLS	12
2	SC-22271	SCREW,M4x0.7X6MM PAN	16
3	IN-2003	INSULATION 1/2" BD @ 18.75" x 26.75"	2
4	5015106	1000/1200 SERIES BURGUNDY SIDE	2
5	GS-23622	GASKET, ADHESIVE, .125X.375	1
6	1011534	BONNET TOP COVER 1000	1
7	SC-22273	SCREW,M4x0.7X10MM PAN	6
8	5014293	1000/1200-SK REAR TRIM SPOT	1

## Exterior Panel Package "C", Reach-In, Custom Color, 1000-TH/I



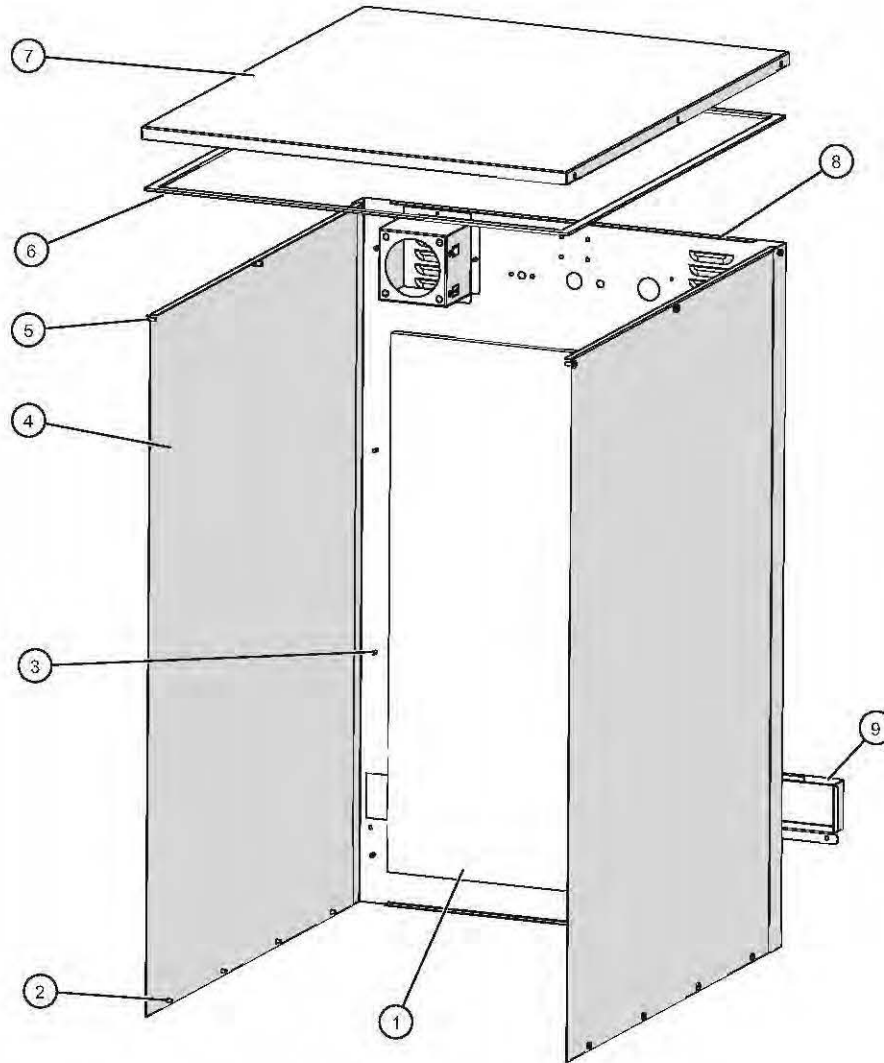
ID	Part No.	Description	Qty
1	RI-2100	RIVET,BLIND,#44,STNLS	12
2	SC-22271	SCREW,M4x0.7X6MM PAN	10
3	IN-2003	INSULATION 1/2" BD @ 18.75" x 26.75"	2
4	5015107	1000/1200 SERIES CUSTOM COLOR	2
5	GS-23622	GASKET, ADHESIVE, .125X.375	1
6	1011534	BONNET TOP COVER 1000	1
7	SC-22271	SCREW,M4x0.7X6MM PAN	6
8	5014293	1000/1200-SK REAR TRIM SPOT	1

## Exterior Panel Package "A", 1000-SK



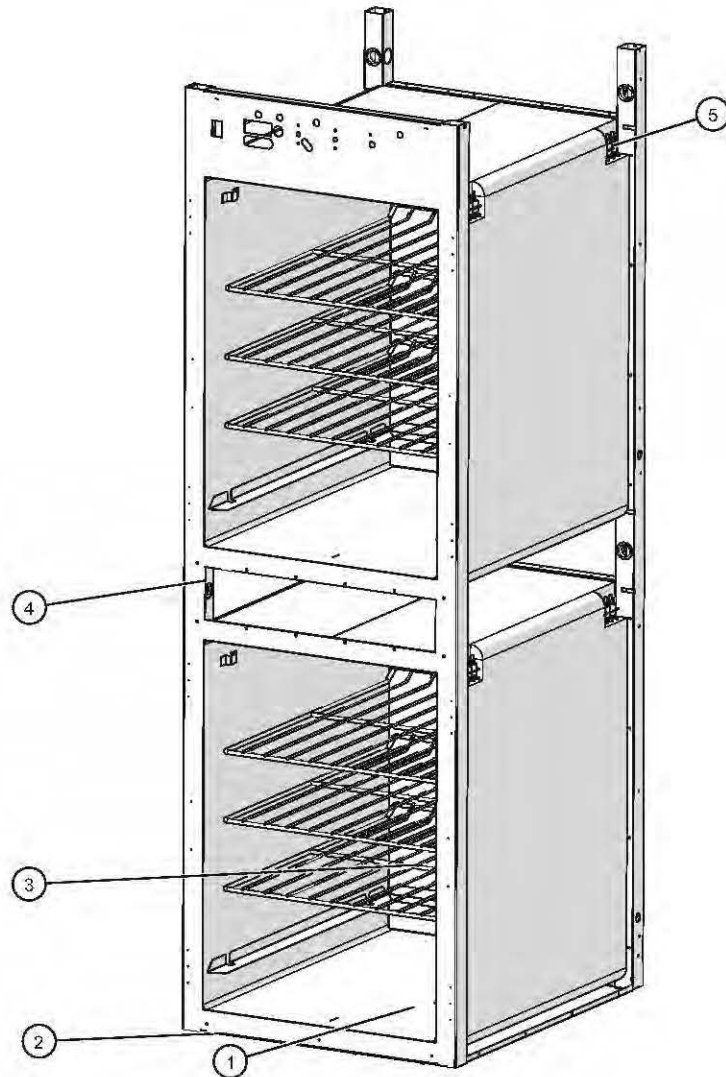
ID	Part No.	Description	Qty
1	SC-2459	8-32 x 1/4" PHIL SCREW	16
2	1010575	1000 SINGLE SERIES HD, SIDE PANEL	2
3	IN-2003	1/2" BOARD INSULATION @ 18.75" x 26.75"	1
4	1011878	1000-SK SERIES REAR TRIM	1

## Exterior Panel Package "A", 1000-SK/I, S/S



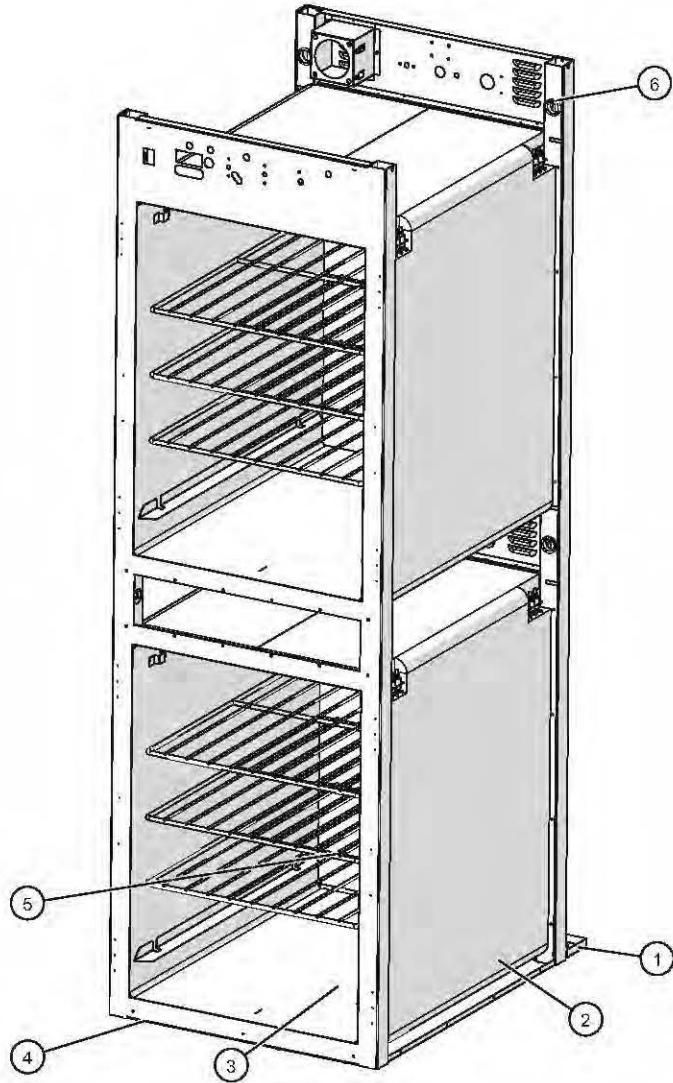
ID	Part No.	Description	Qty
1	IN-2003	INSULATION, FIBERGLASS, @ 18.75" x 26.75"	1
2	SC-22271	SCREW, M4x0.7X6MM PAN	12
3	RI-2100	RIVET, BLIND, #44, STNLS	8
4	5015088	1000 SERIES SIDE PANEL SS	2
5	SC-22273	SCREW, M4x0.7X10MM PAN	6
6	GS-23622	GASKET, ADHESIVE, .125X.375	1
7	1011534	BONNET TOP COVER 1000	1
8	5014204	1000-SK REAR TRIM SPOT	1
9	1011813	ELEMENT COVER, 1000-SK SERIES	1

## Cavity Package "A", 1000-TH/I, Reach-In, 208-240V



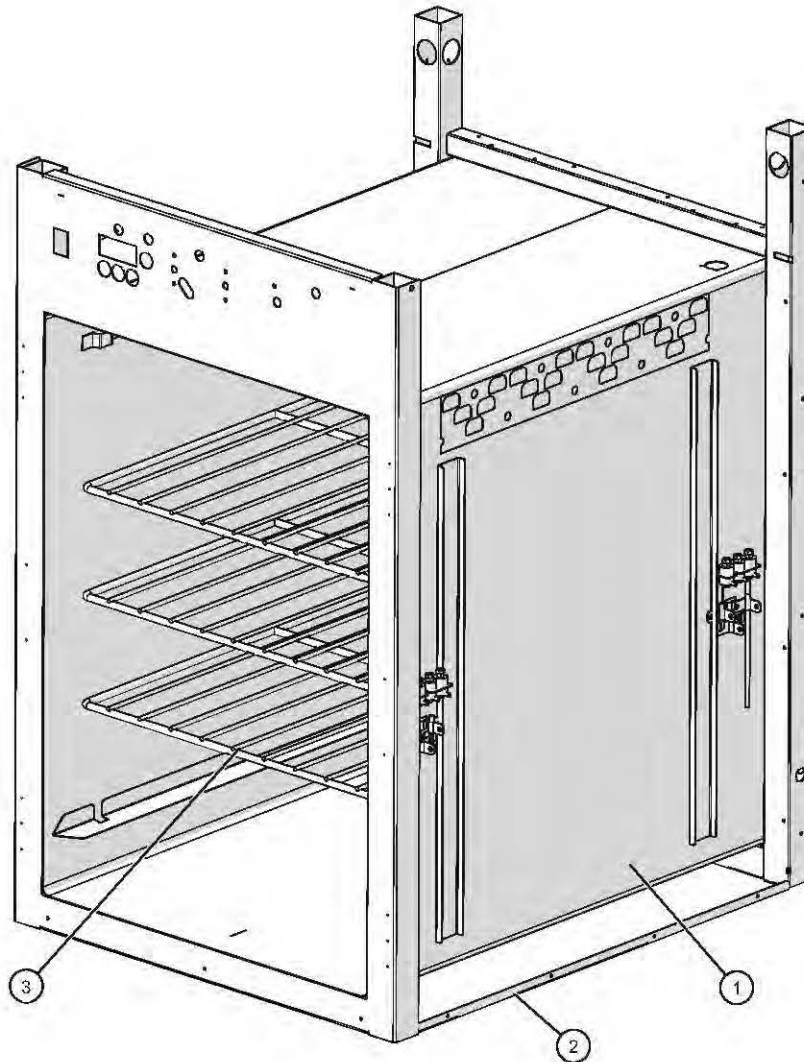
ID	Part No.	Description	Qty
1	1009941	BOTTOM PANEL, 1000-TH/I	1
2	SC-22271	SCREW, M4x0.7X6MM PAN	8
3	SH-2325	SHELF, S/S, 1000-TH	6
4	BU-3378	1 1/8" SNAP BUSHING	8
5	5013875	CABLE INSULATION, 1000-TH/I	1

## Cavity Package "B", 1000-TH/I, Pass-Thru, 208-240V



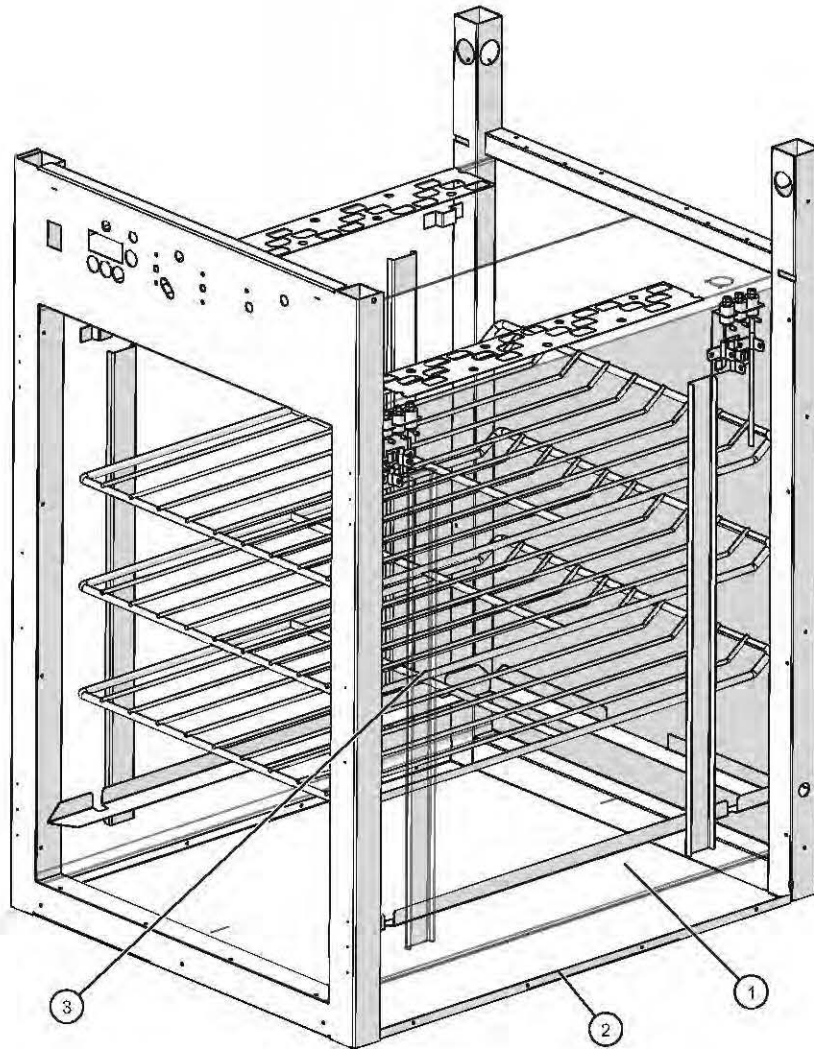
ID	Part No.	Description	Qty
1	5009716	1000-TH DRIP TRAY KIT	1
2	5014303	1000-TH/I P/T CABLE INS ASSB	1
3	1009941	BOTTOM PANEL, 1000-TH/I	1
4	SC-22271	SCREW, M4x0.7X6MM PAN	8
5	SH-2346	SHELF, S/S, 1000-PT	6
6	BU-3378	1 1/8" SNAP BUSHING	8

## Cavity Package "A", 1000-TH/II, Reach-In, 120V Bonnetless



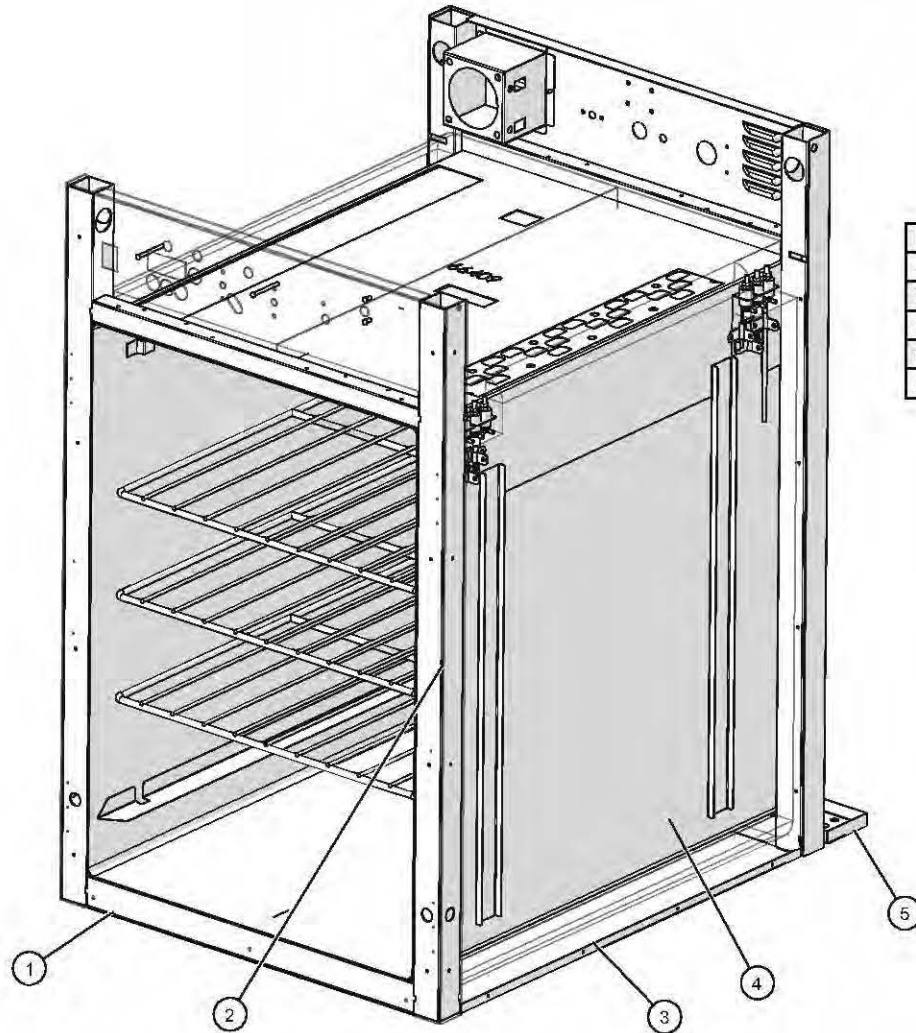
ID	Part No.	Description	Qty
1	5014156	1000-TH/II 120V CABLE INS ASSB	1
2	1009941	BOTTOM PANEL, 1000-TH/I	1
3	SH-2325	SHELF, S/S, 1000-TH	3

## Cavity Package "B", 1000-TH/II, Reach-In, 208-240V Bonnetless



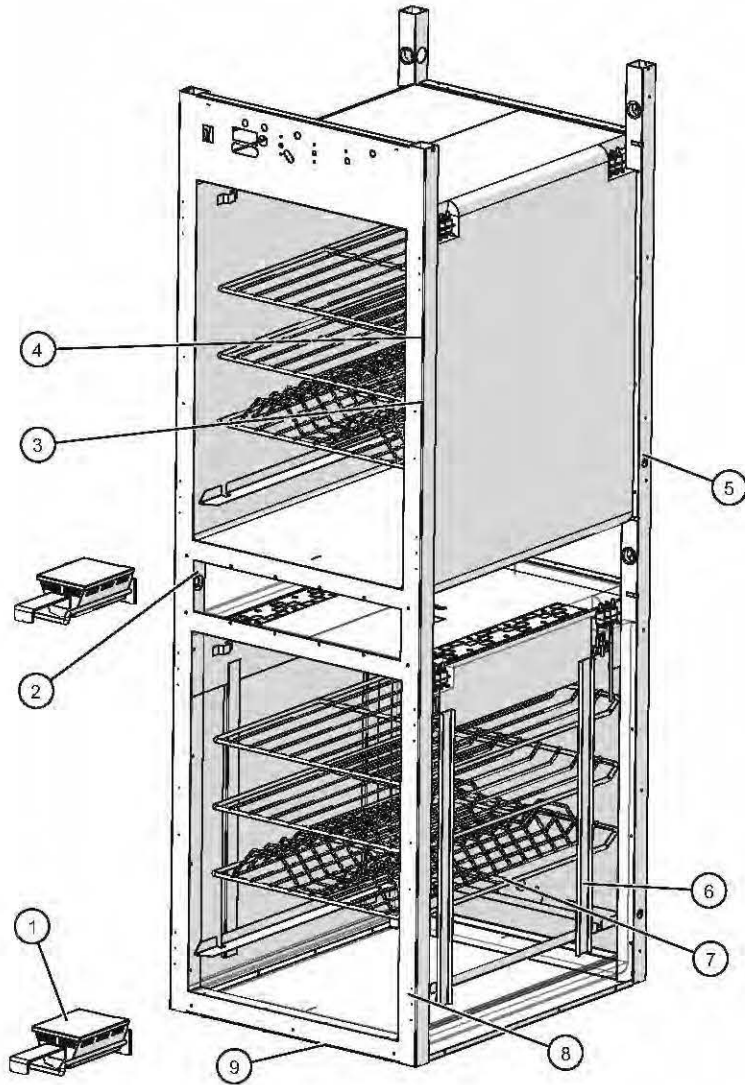
ID	Part No.	Description	Qty
1	5014159	1000-TH/II 208/240,230V CABLE INS ASSB	1
2	1009941	BOTTOM PANEL,1000-TH/I	1
3	SH-2325	SHELF, S/S, 1000-TH	3

## Cavity Package "D", 1000-TH/II, Pass-Thru, 208-240V Bonnetless



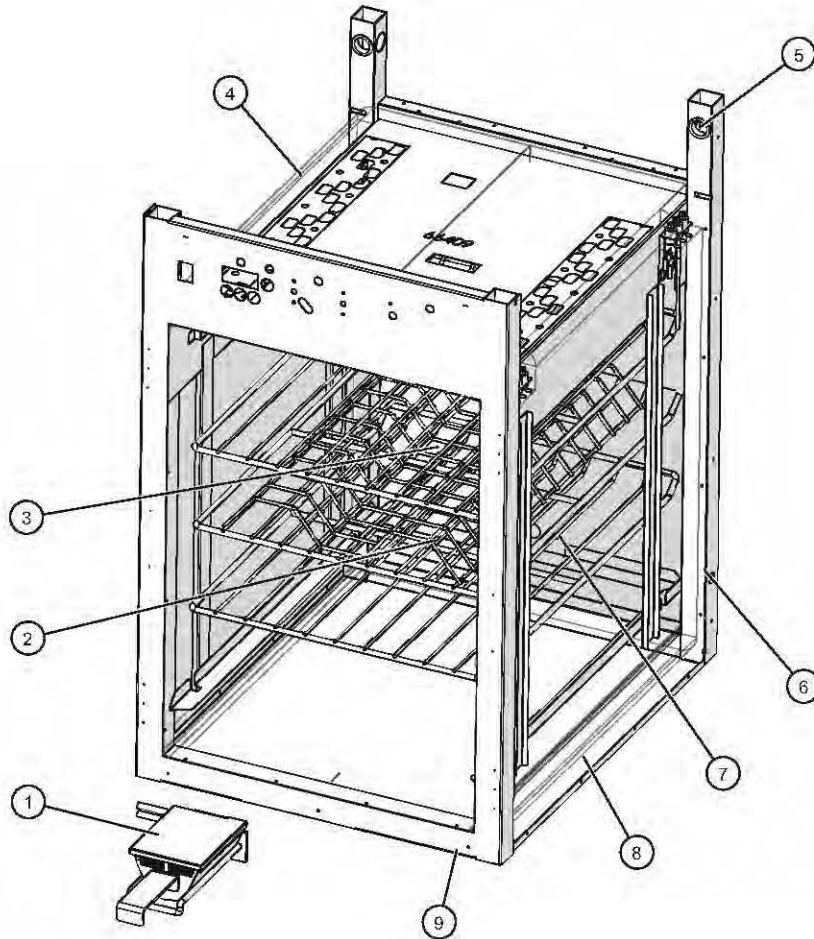
ID	Part No.	Description	Qty
1	SC-22271	SCREW, M4x0.7X6MM PAN	8
2	SH-2346	SHELF, S/S, 1000-PT, QC-20	3
3	1009941	BOTTOM PANEL, 1000-TH/I	1
4	5014168	CABLE INSUL ASSY, 1000-TH2 PT 208-240-230V	1
5	5009716	1000-TH DRIP TRAY KIT	1

## Cavity Package "A", 1000-SK/I, Reach-In, 208-240V



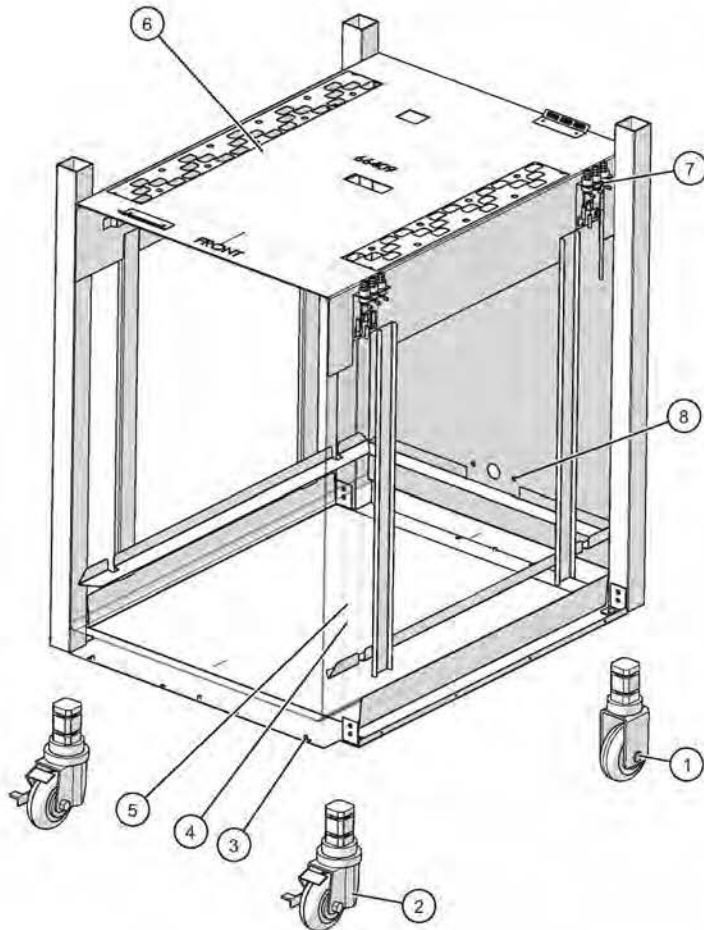
ID	Part No.	Description	Qty
1	5032688	SMOKER ELEMENT PKG, 208/240V	2
2	BU-3378	1 1/8" SNAP BUSHING	8
3	SH-29474	SHELF, RIB RACK, S/S, 1000-SK	2
4	SH-2325	SHELF, S/S, 1000-TH	4
5	BU-3611	5/8" SNAP BUSHING BLACK	4
6	5014315	CABLE INSULATION,1000-SK/I	1
7	NU-2437	NUT, 1/4-20 HEX S/S	4
8	1009941	BOTTOM PANEL,1000-TH/I	1
9	SC-22271	SCREW,M4x0.7X6MM PAN	8

## Cavity Package "A", 1000-SK/II, Reach-In, 208-240V



ID	Part No.	Description	Qty
1	5032688	SMOKER ELEMENT PKG, 208/240V	1
2	SH-2325	SHELF, S/S, 1000-TH	2
3	SH-29474	SHELF, RIB RACK, S/S, 1000-SK	1
4	5014198	1000-SK/II 208/240, 230V CABLE INS ASSB	1
5	BU-3378	1 1/8" SNAP BUSHING	2
6	BU-3611	5/8" SNAP BUSHING BLACK	2
7	NU-2437	NUT, 1/4-20 HEX S/S	2
8	1009941	BOTTOM PANEL, 1000-TH/II	1
9	SC-22271	SCREW, M4x0.7X6MM PAN	8

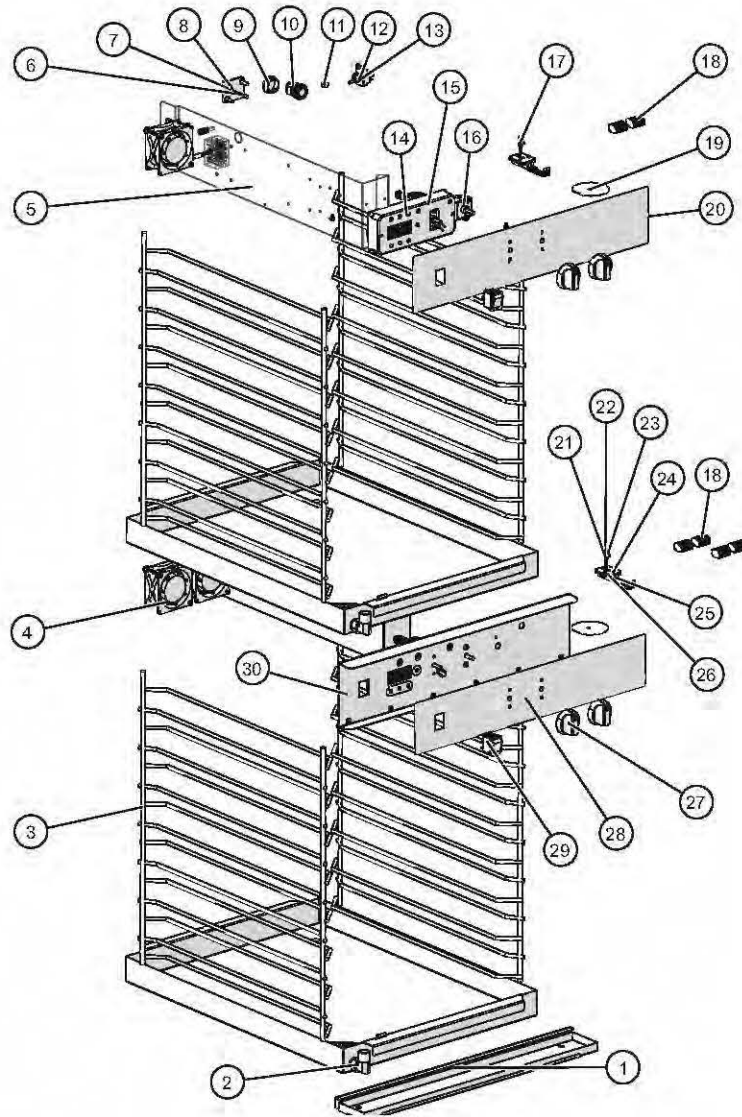
## Cavity Package "A", 1000-SK/II and -SK, Reach-In, 208-240V



ID	Part No.	Description	Qty
1	CS-25674	CASTER, 3 1/2" RIGID	2
2	CS-25675	CASTER, 3 1/2" SWIVEL W/ BRAKE	2
3	SC-2459	8-32 x 1/4" PHIL SCREW TRUSS HD	6
4	1009941	BOTTOM PANEL, 1000-TH/I	1
5	5009205	INSULATION BOTTOM SPOT, 1000-TH	1
6	5012753	CABLE INSULATION, 1000-SK/II, III 208-240V	1
7	NU-22289	NUT, M5-0.8 HEX NUT 18-8 DIN # 934	24
8	NU-2437	NUT, 1/4-20 HEX S/S	2
9	4881	CABLE HEATING KIT (see below)	1

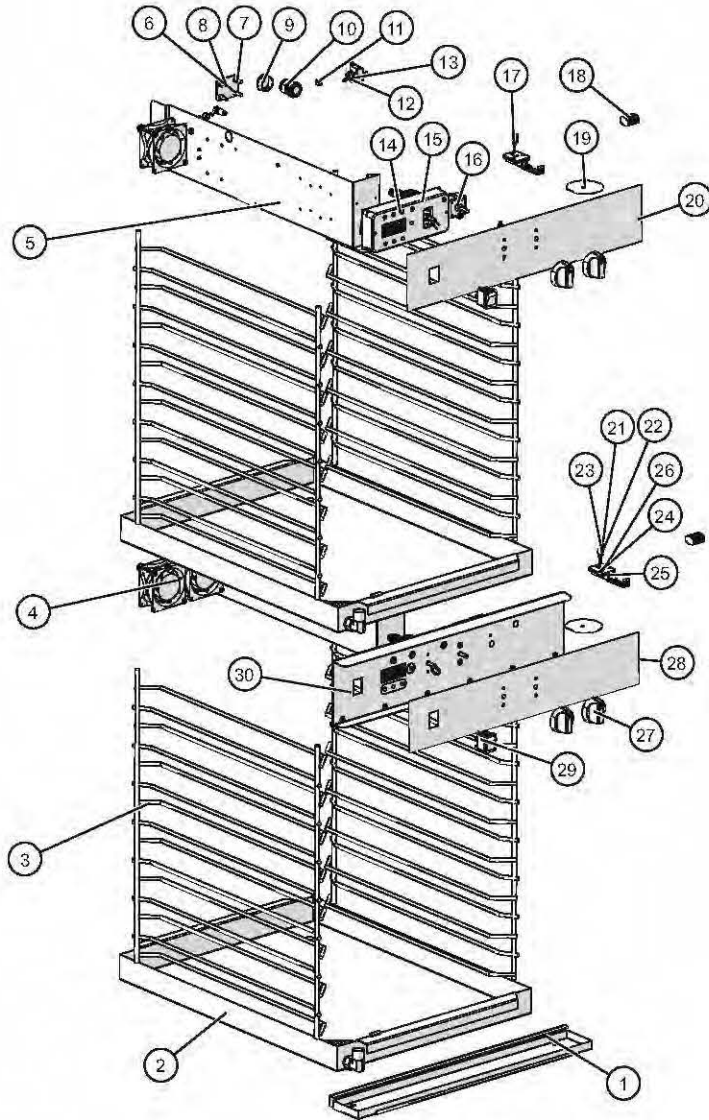
Cable heating kit > (one kit required per cavity)		#4879 500, 750, 1000, 767 - 120V 500, 750 - 120V, 208-240V	#4881 1000, 767, 1767 - 208-240V ALL 230V
Item	Description	Qty	Qty
CB-3045	CABLE HEATING ELEMENT	112 FT.	210 FT.
CR-3226	RING CONNECTOR	6	12
IN-3488	INSULATION CORNER	1 FT.	1 FT.
BU-3105	SHOULDER BUSHING	6	12
BU-3106	CUP BUSHING	6	12
ST-2439	STUD	6	12
NU-2215	HEX NUT	12	24
SL-3063	INSULATING SLEEVE	6	12
TA-3540	ELECTRICAL TAPE	1 ROLL	1 ROLL

## Control Package "A," 1000-TH/I, 208-240V



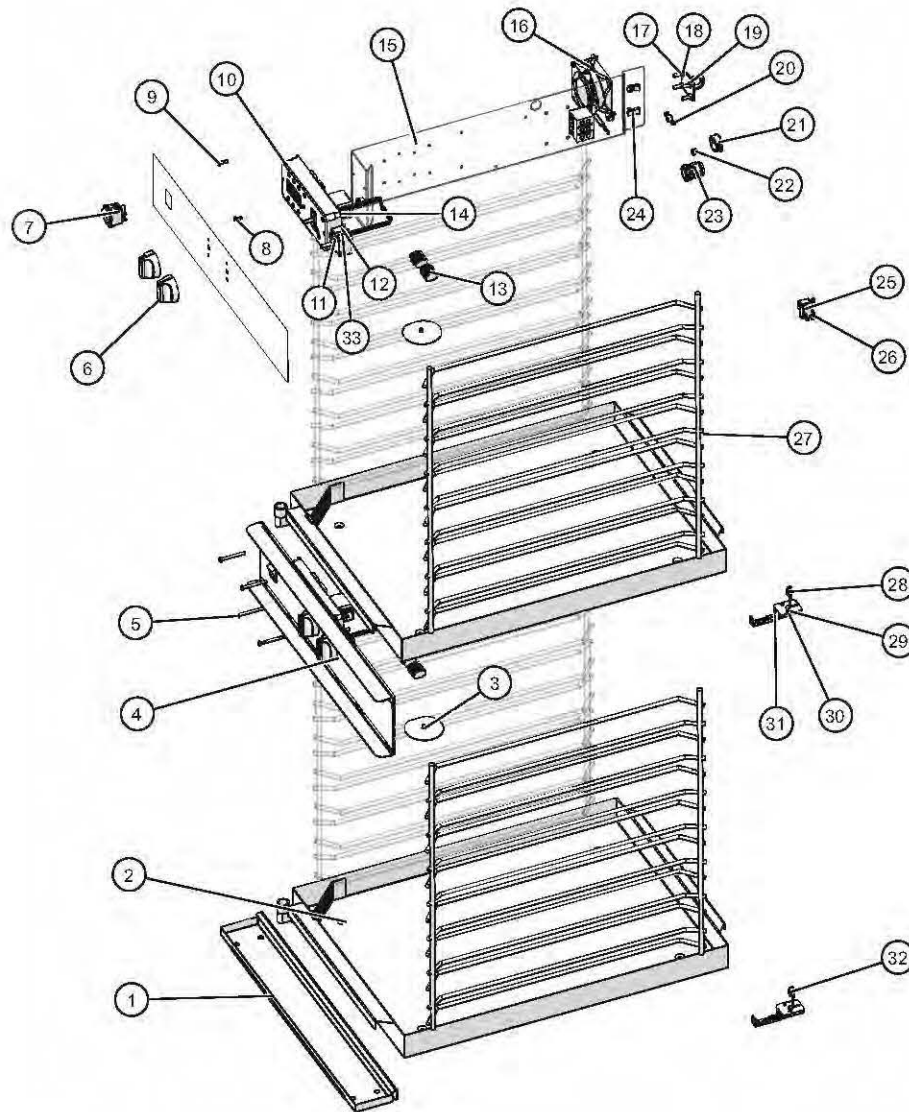
ID	Part No.	Description	Qty
1	5009716	1000-TH DRIP TRAY KIT	1
2	5005616	DRIP PAN WELD ASSBY	2
3	SR-2266	S/S SIDE RACK	4
4	FA-34524	FAN,3" BOX,230V,THERMAL PROTEC	3
5	5014307	1000-TH/I 208-240V ELE CHASSIS	1
6	SC-23868	SCREW,M5x0.8X20MM FLAT	4
7	NU-2215	NUT,10-32 UNF HEX MS,18-8 SST	4
8	BT-26884	BRACKET, TETHER.	1
9	PG-3325	1.125" HOLE PLUG	1
10	BU-3964	BUSHING,STRAIGHT,STRAIN RELIEF	1
11	PG-25574	3/8" HOLE PLUG	1
12	RI-38125	RIVET,SEALED,.125"	2
13	SW-3528	20A,250V, DPST TOGGLE SWITCH	1
14	CC-34488R	CONTROL, ELAN	2
15	CB-34945	CABLE, WIRE HARNESS, ELAN C&H,	2
16	TT-34910	THERMOSTAT,COOK POD,	2
17	SN-47162	SENSOR, 1000 OHM, 40" WIRE,	1
18	CR-34646	CONNECTOR-5 CONDUCTOR	6
19	1006871	NON-PRODUCT PROBE SEAL	2
20	PE-48056	PANEL,OVERLAY,1000-TH SERIES	1
21	CR-34503	CONNECTOR, RECTANGULAR CONTACTS	2
22	SN-38111	SENSOR, 1000 OHM, 110" WIRE,	1
23	CR-34502	CONNECTOR, HOUSING, 2 PORTS	1
24	SC-22271	SCREWS,M4-0.7X6MM PHIL	3
25	1493	GUARD SENSOR,W/MW	2
26	BK-29605	BLOCK, SENSOR, ELEC. CONTROL	2
27	KN-26568	KNOB, UNIBODY, T-STAT CONTROL	4
28	PE-48058	PANEL,MIDBONNET OVERLAY,1000	1
29	SW-38665	SWITCH,ROCKER,DPST,20A,125V,	2
30	5012577	1000-TH/I MID BONNET ASSY 250F	1

## Control Package "B," 1000-TH/I, 230V



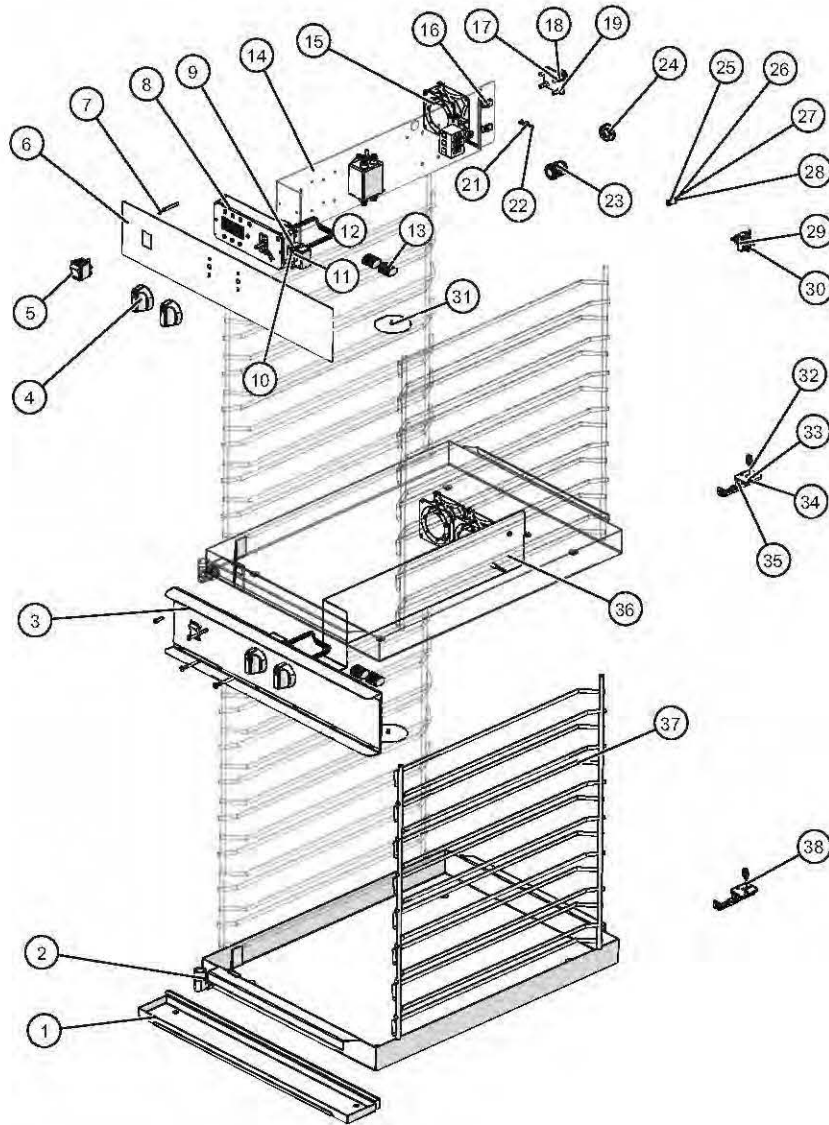
ID	Part No.	Description	Qty
1	5009716	1000-TH DRIP TRAY KIT	1
2	5005616	DRIP PAN WELD ASSBY	2
3	SR-2266	S/S SIDE RACK	4
4	FA-34524	FAN,3" BOX,230V,THERMAL PROTEC	3
5	5014309	1000-TH/I 230V ELEC CHASSIS	1
6	SC-23868	SCREW,M5x0.8X20MM FLAT	4
7	NU-2215	NUT,10-32 UNF HEX MS,18-8 SST	4
8	BT-26884	BRACKET, TETHER.	1
9	PG-3325	1.125" HOLE PLUG	1
10	BU-3964	BUSHING,STRAIGHT,STRAIN RELIEF	1
11	PG-25574	3/8" HOLE PLUG	1
12	RI-38125	RIVET,SEALED,.125"	2
13	SW-3528	20A,250V, DPST TOGGLE SWITCH	1
14	CC-34488R	CONTROL, ELAN	1
15	CB-34945	CABLE, WIRE HARNESS, ELAN C&H,	1
16	TT-34910	THERMOSTAT,COOK POD,	1
17	SN-47162	SENSOR, 1000 OHM, 40" WIRE,	1
18	CR-34646	CONNECTOR-5 CONDUCTOR	2
19	1006871	NON-PRODUCT PROBE SEAL	2
20	PE-48056	PANEL,OVERLAY,1000-TH SERIES	1
21	CR-34503	CONNECTOR, RECTANGULAR CONTACTS	2
22	SN-38111	SENSOR, 1000 OHM, 110" WIRE,	1
23	CR-34502	CONNECTOR, HOUSING, 2 PORTS	1
24	SC-22271	SCREWS,M4-0.7X6MM PHIL	3
25	1493	GUARD SENSOR,W/MW	2
26	BK-29605	BLOCK, SENSOR, ELEC. CONTROL	2
27	KN-26568	KNOB, UNIBODY, T-STAT CONTROL	4
28	PE-48058	PANEL,MIDBONNET OVERLAY,1000	1
29	SW-38665	SWITCH,ROCKER,DPST,20A,125V,	2
30	5022030	1000-TH/I MID BONNET ASSY 230V	1

## Control Package "C," 1000-TH/I, 208-240V



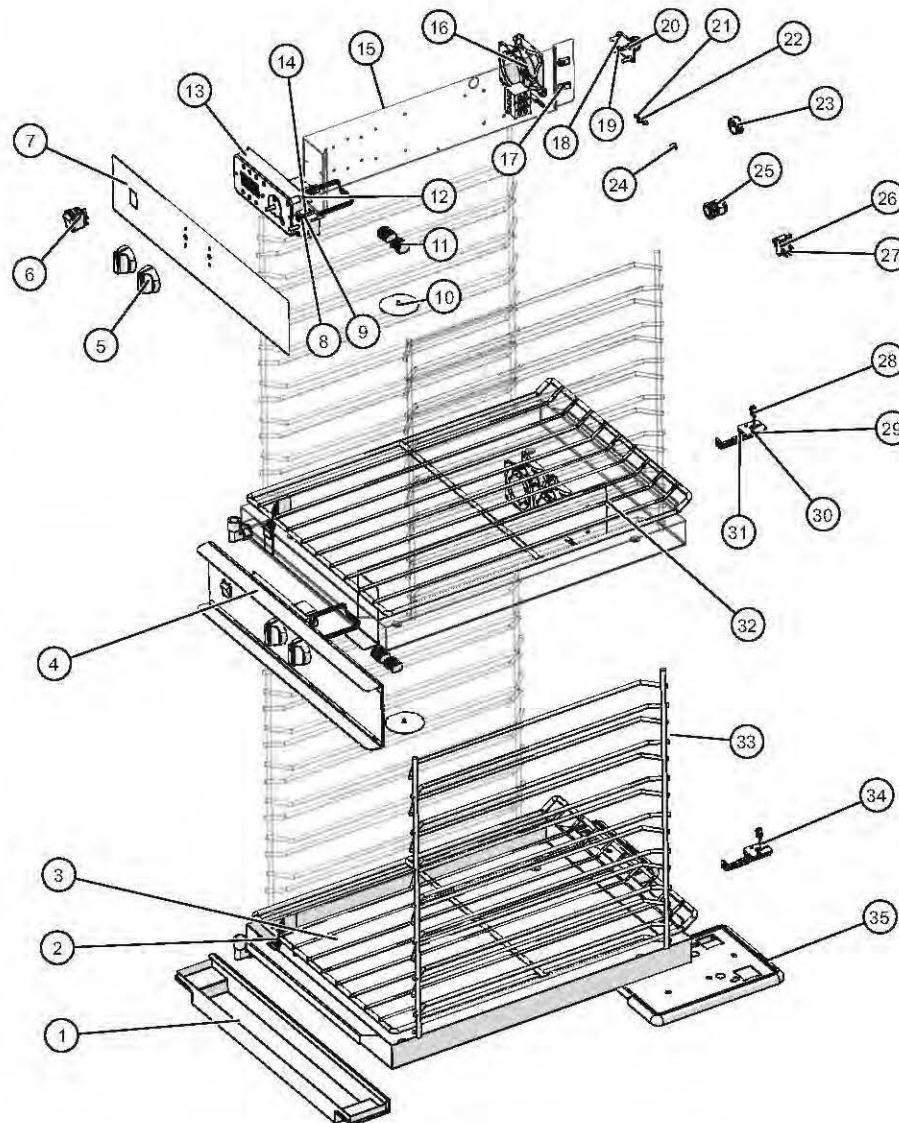
ID	Part No.	Description	Qty
1	5009716	1000-TH DRIP TRAY KIT	1
2	5005616	DRIP PAN WELD ASSBY	2
3	1006871	NON-PRODUCT PROBE SEAL	2
4	5012577	1000-TH/I MID BONNET ASSY 250F	1
5	SC-28142	SCREW,M4x0.7X45MM PAN	4
6	KN-26568	KNOB, UNIBODY, T-STAT CONTROL	2
7	SW-38665	SWITCH,ROCKER,DPST,20A,125V,	1
8	SC-22273	SCREW,M4x0.7X10MM PAN	2
9	SC-38240	SCREW,M4x0.7X16MM PAN	4
10	CC-34488R	CONTROL, ELAN	1
11	TT-34910	THERMOSTAT,COOK POD,	1
12	NU-22286	M4-0.7 HEX NUT 18-8	2
13	CR-34646	CONNECTOR-5 CONDUCTOR	4
14	CB-34945	CABLE, WIRE HARNESS, ELAN C&H,	1
15	5014307	1000-TH/I 208-240V ELE CHASSIS	1
16	FA-34524	FAN,3" BOX,230V,THERMAL PROTEC	3
17	NU-2215	NUT,10-32 UNF HEX MS,18-8 SST	4
18	SC-23868	SCREW,M5x0.8X20MM FLAT	4
19	BT-26884	BRACKET, TETHER.	1
20	PG-28439	PLUG, DOME,.187" HOLE	4
21	PG-3325	1.125" HOLE PLUG	1
22	PG-25574	3/8" HOLE PLUG	2
23	BU-3964	BUSHING,STRAIGHT,STRAIN RELIEF	1
24	NU-38453	NUT,CLIP-ON,M4 X 0.7	10
25	SW-3528	20A,250V, DPST TOGGLE SWITCH	1
26	RI-38125	RIVET,SEALED,.125", GRIP RG .039-.118	2
27	SR-2266	S/S SIDE RACK	4
28	SN-47162	SENSOR, 1000 OHM, 40" WIRE,	1
29	BK 29605	BLOCK, SENSOR, ELEC. CONTROL	2
30	SC-22271	SCREWS,M4-0.7X6MM PHIL	4
31	1493	GUARD SENSOR,W/MW	2
32	SN-38111	SENSOR, 1000 OHM, 110" WIRE,	1
33	CR-34559	CONNECTOR, DBL MALE / SINGLE FEMALE	2

# Control Package "D," 1000-TH/I, 230V



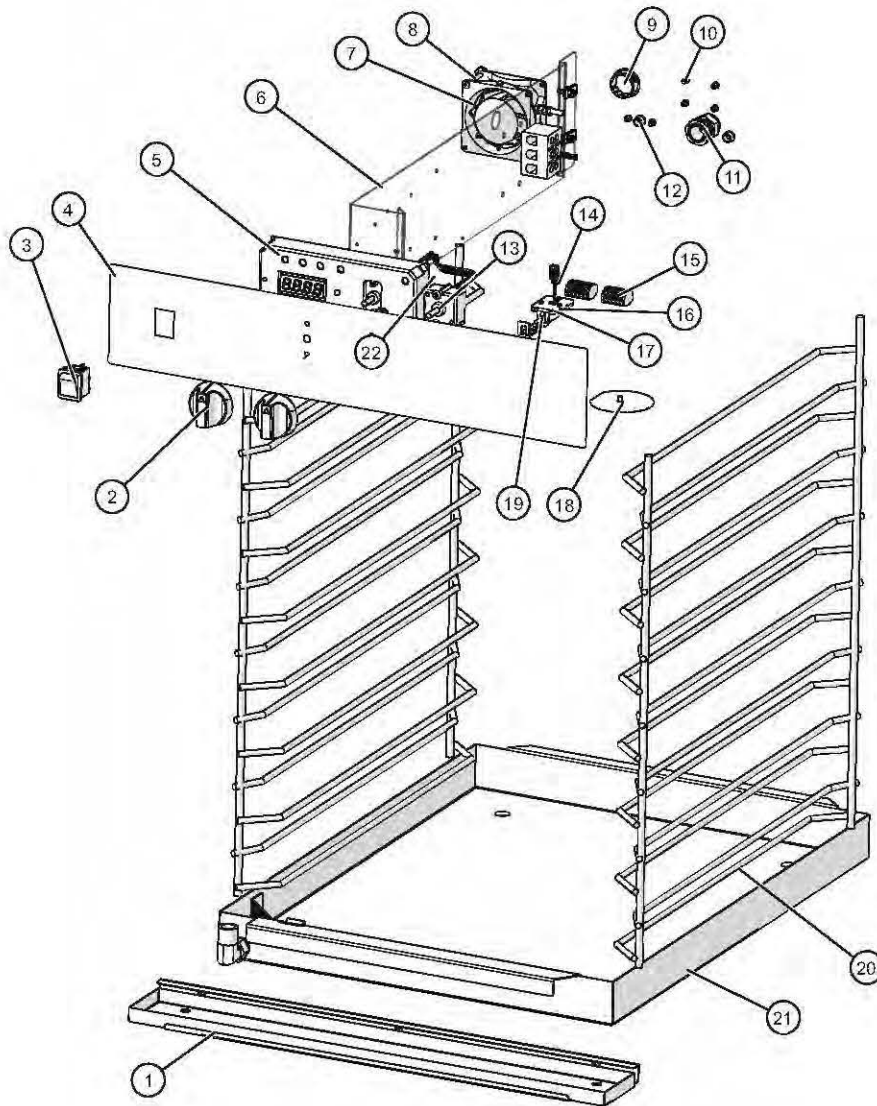
ID	Part No.	Description	Qty
1	5009716	1000-TH DRIP TRAY KIT	1
2	5005616	DRIP PAN WELD ASSBY	2
3	5022030	1000-TH/I MID BONNET ASSY 230V	1
4	KN-26568	KNOB, UNIBODY, T-STAT CONTROL	2
5	SW-38665	SWITCH,ROCKER,DPST,20A,125V,	1
6	PE-48056	PANEL_OVERLAY,1000-TH SERIES	1
7	SC-28142	SCREW,M4x0.7X45MM PAN	7
8	CC-34488R	CONTROL, ELAN	1
9	NU-22286	M4-0.7 HEX NUT 18-8	2
10	CR-34559	CONNECTOR, DBL MALE / SINGLE FEMALE	2
11	TT-34910	THERMOSTAT,COOK POD,	1
12	CB-34945	CABLE, WIRE HARNESS, ELAN C&H,	1
13	CR-34646	CONNECTOR-5 CONDUCTOR	2
14	5014309	1000-TH/I 230V ELEC CHASSIS	1
15	FA-34524	FAN,3" BOX,230V,THERMAL PROTEC	3
16	SC-38240	SCREW,M4x0.7X16MM PAN	2
17	BT-26884	BRACKET, TETHER,	1
18	NU-2215	NUT,10-32 UNF HEX MS,18-8 SST	4
19	SC-23868	SCREW,M5x0.8X20MM FLAT	4
21	PG-25574	3/8" HOLE PLUG	2
22	PG-28439	PLUG, DOME,,187" HOLE	4
23	BU-3964	BUSHING,STRAIGHT,STRAIN RELIEF	1
24	PG-3325	1.125" HOLE PLUG	1
25	NU-22770	NUT, THREADED INSERT, M6	1
26	SC-22924	HHCS, M6 X 20, W/NO MARKING	1
27	WS-22302	WASHER, SPLIT LOCK	2
28	WS-22297	WASHER, FLAT	2
29	SW-3528	20A,250V, DPST TOGGLE SWITCH	1
30	RI-38125	RIVET,SEALED,,125", GRIP RG .039-.118	2
31	1006871	NON-PRODUCT PROBE SEAL	2
32	SN-47162	SENSOR, 1000 OHM, 40" WIRE,	1
33	BK-29605	BLOCK, SENSOR, ELEC. CONTROL	2
34	SC-22271	SCREWS,M4-0.7X6MM PHIL	4
35	1493	GUARD SENSOR,W/MW	2
36	NU-38453	NUT,CLIP-ON,M4 X 0.7	10
37	SR-2266	S/S SIDE RACK	4
38	SN-38111	SENSOR, 1000 OHM, 110" WIRE,	1

## Control Package "E," 1000-TH/I, 208-240V



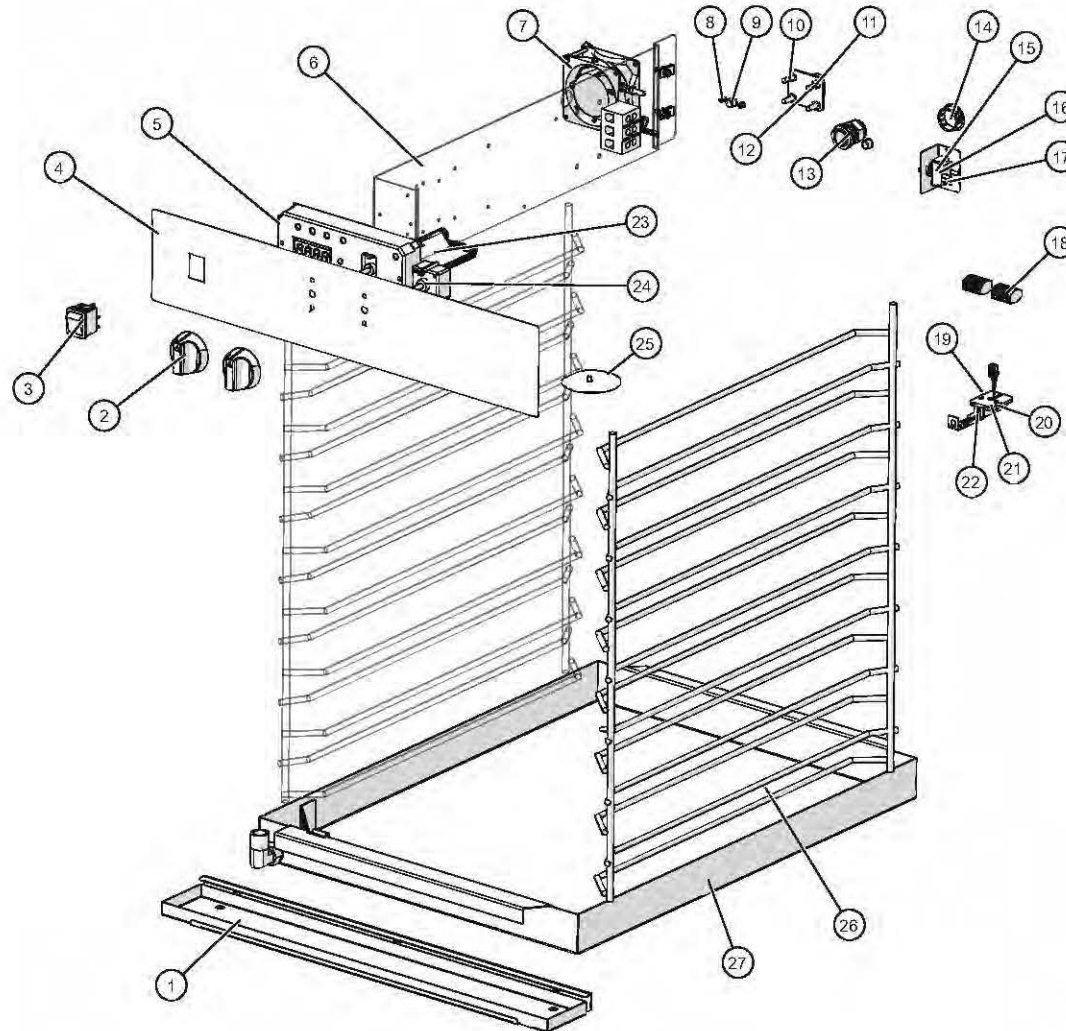
ID	Part No.	Description	Qty
1	5010515	1000-TH DRIP TRAY KIT, OCB	1
2	5005616	DRIP PAN WELD ASSBY	2
3	SH-2325	SHELF, S/S, 1000-TH	2
4	5012577	1000-TH/I MID BONNET ASSY 250F	1
5	KN-26568	KNOB, UNIBODY, T-STAT CONTROL	2
6	SW-38665	SWITCH,ROCKER,DPST,20A,125V,	1
7	PE-48056	PANEL,OVERLAY,1000-TH SERIES	1
8	TT-34910	THERMOSTAT,COOK POD,	1
9	CR-34559	CONNECTOR, DBL MALE / SINGLE FEMALE	2
10	1006871	NON-PRODUCT PROBE SEAL	2
11	CR-34646	CONNECTOR-5 CONDUCTOR	2
12	CB-34945	CABLE, WIRE HARNESS, ELAN C&H,	1
13	CC-34488R	CONTROL, ELAN	1
14	NU-22286	M4-0.7 HEX NUT 18-8	2
15	5014307	1000-TH/I 208-240V ELE CHASSIS	1
16	FA-34524	FAN,3" BOX,230V,THERMAL PROTEC	3
17	NU-38453	NUT,CLIP-ON,M4 X 0.7	10
18	SC-23868	SCREW,M5x0.8X20MM FLAT	4
19	NU-2215	NUT,10-32 UNF HEX MS,18-8 SST	4
20	BT-26884	BRACKET, TETHER,	1
21	PG-28439	PLUG, DOME,.187" HOLE	2
22	PG-25574	3/8" HOLE PLUG	1
23	PG-3325	1.125" HOLE PLUG	1
24	PG-25574	3/8" HOLE PLUG	2
25	BU-3964	BUSHING,STRAIGHT,STRAIN RELIEF	1
26	SW-3528	20A,250V, DPST TOGGLE SWITCH	1
27	RI-38125	RIVET,SEALED,.125", GRIP RG .039-.118	2
28	SN-47162	SENSOR, 1000 OHM, 40" WIRE,	1
29	SC-22271	SCREWS,M4-0.7X6MM PHIL	4
30	BK-29605	BLOCK, SENSOR, ELEC. CONTROL	2
31	1493	GUARD SENSOR,W/MW	2
32	PG-28439	PLUG, DOME,.187" HOLE	2
33	SR-2266	S/S SIDE RACK	4
34	SN-38111	SENSOR, 1000 OHM, 110" WIRE,	1
35	5007807	OCB REAR BUMPER PACKAGE	1

## Control Package "A," 1000-TH/II, 120V



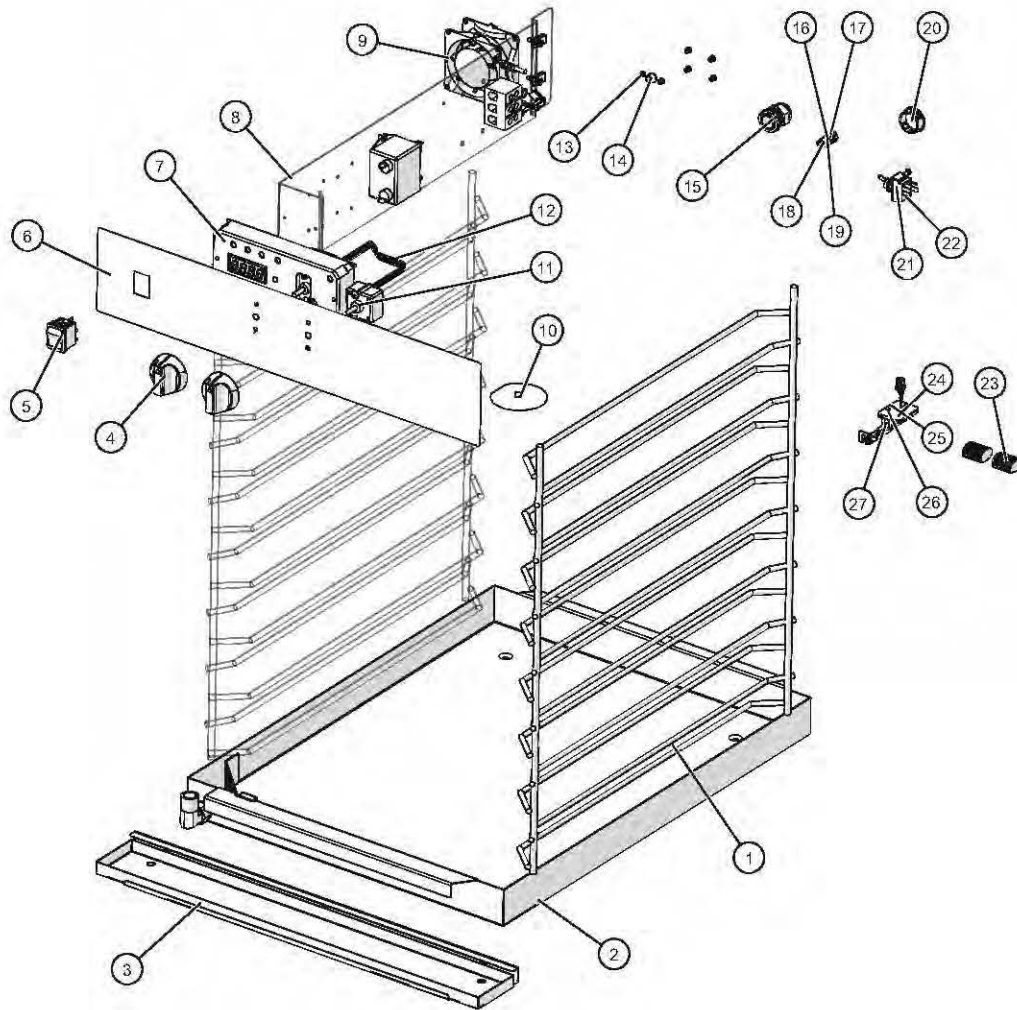
ID	Part No.	Description	Qty
1	5009716	1000-TH DRIP TRAY KIT	1
2	KN-26568	KNOB, UNIBODY, T-STAT CONTROL	2
3	SW-38665	SWITCH,ROCKER,DPST,20A,125V,	1
4	PE-48056	PANEL,OVERLAY,1000-TH SERIES	1
5	CC-34488R	CONTROL, ELAN	1
6	5014098	1000-TH/II 120V ELEC CHASSIS	1
7	FA-3973	FAN, BOX, 115V, 34CFM	1
8	SC-28142	SCREW,M4x0.7X45MM PAN	2
9	PG-3325	1.125" HOLE PLUG	1
10	PG-28439	PLUG, DOME,.187" HOLE	6
11	BU-3964	BUSHING,STRAIGHT,STRAIN RELIEF	1
12	PG-25574	3/8" HOLE PLUG	2
13	TT-34910	THERMOSTAT,COOK POD,	1
14	SN-38111	SENSOR, 1000 OHM, 110" WIRE,	1
15	CR-34646	CONNECTOR-5 CONDUCTOR	2
16	SC-22271	SCREWS,M4-0.7X6MM PHIL	3
17	BK-29605	BLOCK, SENSOR, ELEC. CONTROL	1
18	1006871	NON-PRODUCT PROBE SEAL	1
19	1493	GUARD SENSOR,W/MW	1
20	SR-2266	S/S SIDE RACK	2
21	5005616	DRIP PAN WELD ASSBY	1
22	CB-34945	CABLE, WIRE HARNESS, ELAN C&H,	1

## Control Package "B," 1000-TH/II, 208-240V



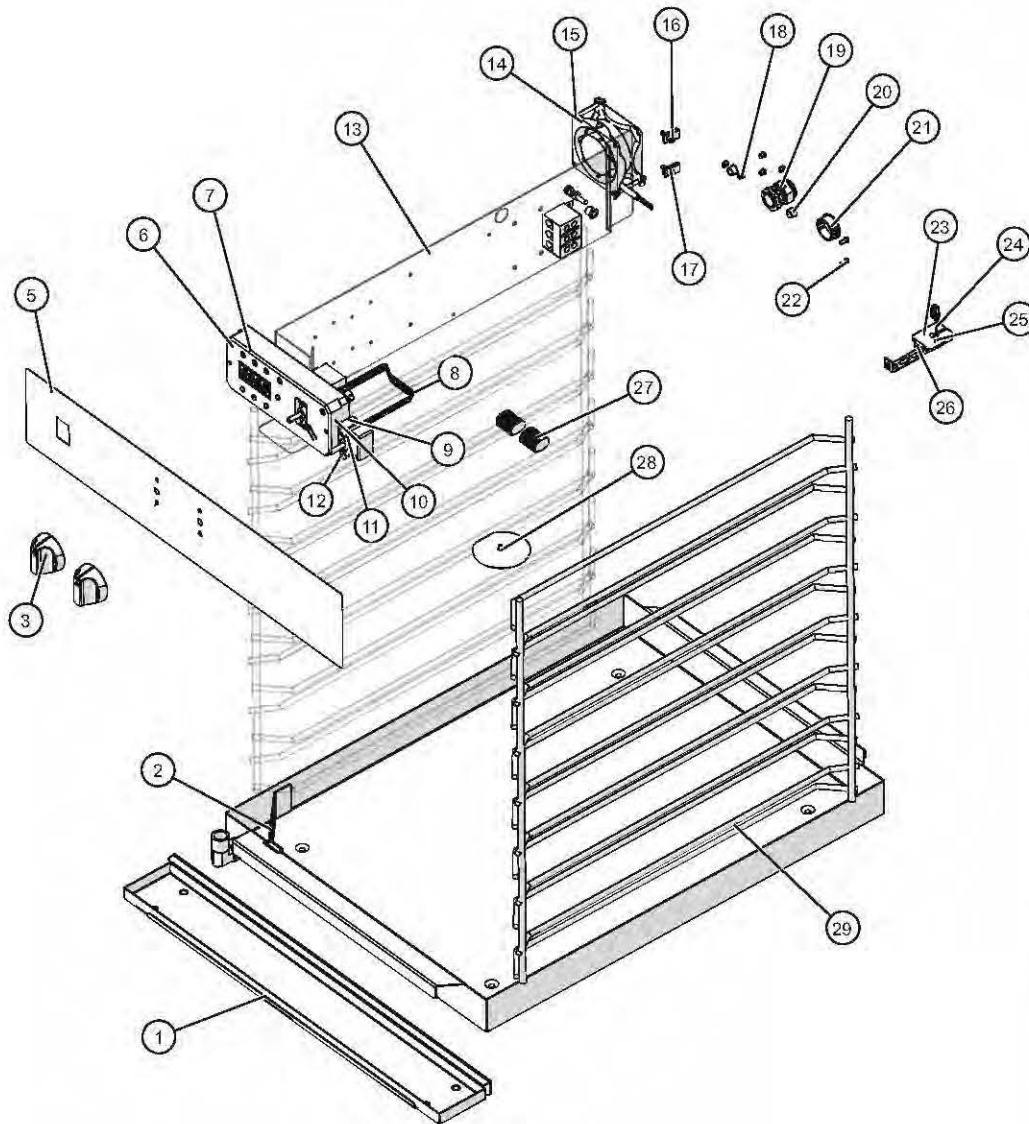
ID	Part No.	Description	Qty
1	5009716	1000-TH DRIP TRAY KIT	1
2	KN-26568	KNOB, UNIBODY, T-STAT CONTROL	2
3	SW-38665	SWITCH,ROCKER,DPST,20A,125V,	1
4	PE-48056	PANEL,OVERLAY,1000-TH SERIES	1
5	CC-34488R	CONTROL, ELAN	1
6	5014100	1000-TH/II 208-240V ELEC CHASSIS	1
7	FA-34524	FAN,3" BOX,230V,THERMAL PROTEC	1
8	PG-28439	PLUG, DOME,.187" HOLE	2
9	PG-25574	3/8" HOLE PLUG	2
10	SC-23868	SCREW,M5x0.8X20MM FLAT	4
11	NU-2215	NUT,10-32 UNF HEX MS,18-8 SST	4
12	BT-26884	BRACKET, TETHER.	1
13	BU-3964	BUSHING, STRAIGHT,STRAIN RELIEF	1
14	PG-3325	1.125" HOLE PLUG	1
15	SW-3528	20A,250V, DPST TOGGLE SWITCH	1
16	1012606	VOLTAGE SWITCH HOLDER,	1
17	RI-38125	RIVET,SEALED,.125"	2
18	CR-34646	CONNECTOR-5 CONDUCTOR	2
19	SN-38111	SENSOR, 1000 OHM, 110" WIRE,	1
20	SC-22271	SCREWS,M4-0.7X6MM PHIL	2
21	BK-29605	BLOCK, SENSOR, ELEC. CONTROL	1
22	1493	GUARD SENSOR,W/MW	1
23	CB-34945	CABLE, WIRE HARNESS, ELAN C&H,	1
24	TT-34910	THERMOSTAT,COOK POD,	1
25	1006871	NON-PRODUCT PROBE SEAL	1
26	SR-2266	S/S SIDE RACK	2
27	5005616	DRIP PAN WELD ASSBY	1

## Control Package "C," 1000-TH/II, 230V



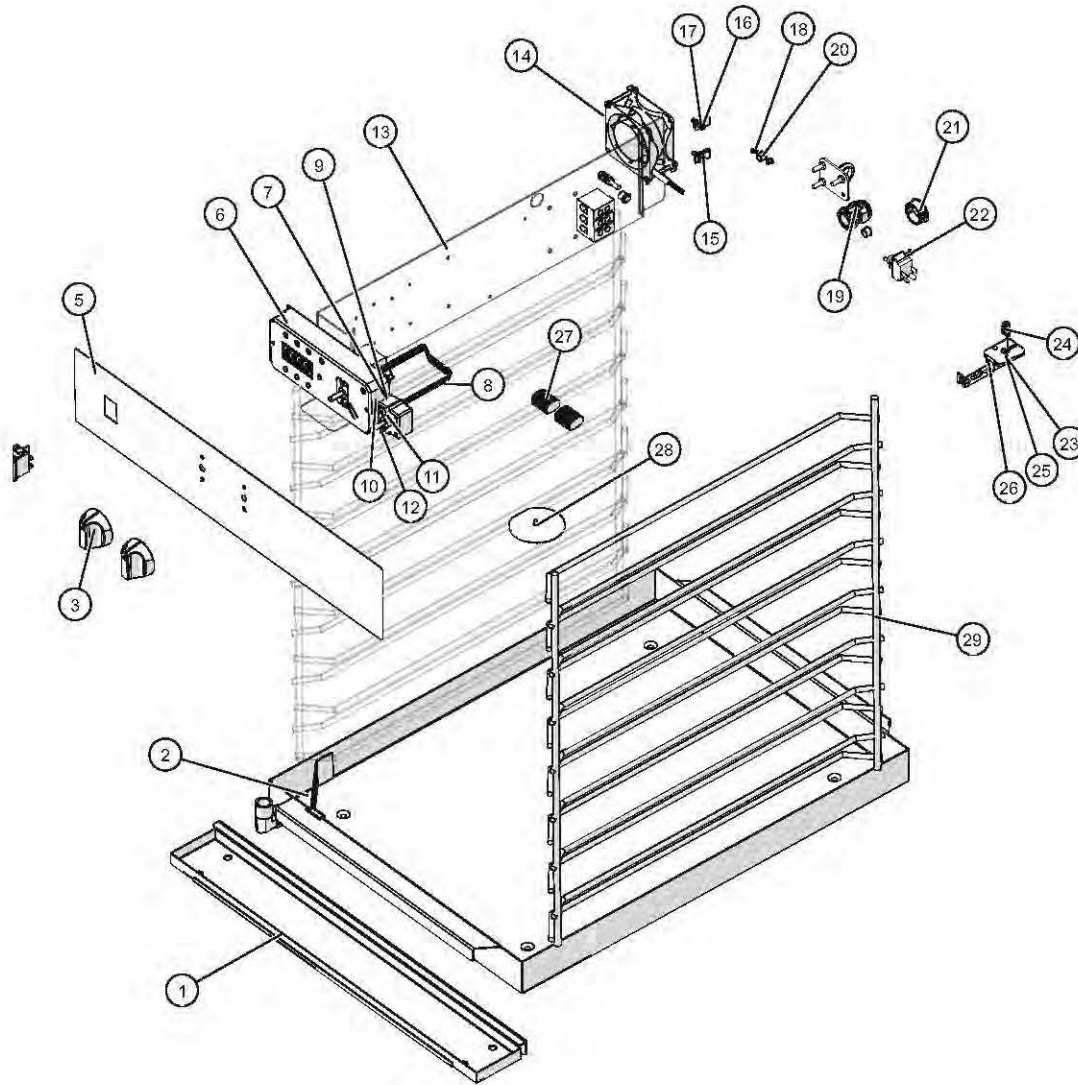
ID	Part No.	Description	Qty
1	SR-2266	S/S SIDE RACK	2
2	5005616	DRIP PAN WELD ASSBY	1
3	5009716	1000-TH DRIP TRAY KIT	1
4	KN-26568	KNOB, UNIBODY, T-STAT CONTROL	2
5	SW-38665	SWITCH,ROCKER,DPST,20A,125V,	1
6	PE-48056	PANEL,OVERLAY,1000-TH SERIES	1
7	CC-34488R	CONTROL, ELAN	1
8	5014102	1000-TH/II 230V ELEC CHASSIS	1
9	FA-34524	FAN,3" BOX,230V,THERMAL PROTEC	1
10	1006871	NON-PRODUCT PROBE SEAL	1
11	TT-34910	THERMOSTAT,COOK POD,	1
12	CB-34945	CABLE, WIRE HARNESS, ELAN C&H,	1
13	PG-28439	PLUG, DOME, .187" HOLE	6
14	PG-25574	3/8" HOLE PLUG	1
15	BU-3964	BUSHING,STRAIGHT,STRAIN RELIEF	1
16	WS-22297	WASHER, FLAT	2
17	WS-22302	WASHER, SPLIT LOCK	2
18	NU-22770	NUT, THREADED INSERT, M6	1
19	SC-22924	HHCS, M6 X 20, W/NO MARKING	1
20	PG-3325	1.125" HOLE PLUG	1
21	SW-3528	20A,250V, DPST TOGGLE SWITCH	1
22	RI-38125	RIVET,SEALED, .125"	2
23	CR-34646	CONNECTOR-5 CONDUCTOR	2
24	BK-29605	BLOCK, SENSOR, ELEC. CONTROL	1
25	SN-38111	SENSOR, 1000 OHM, 110" WIRE,	1
26	SC-22271	SCREWS,M4-0.7X6MM PHIL	2
27	1493	GUARD SENSOR,W/MW	1

## Control Package "D," 1000-TH/II, 120V



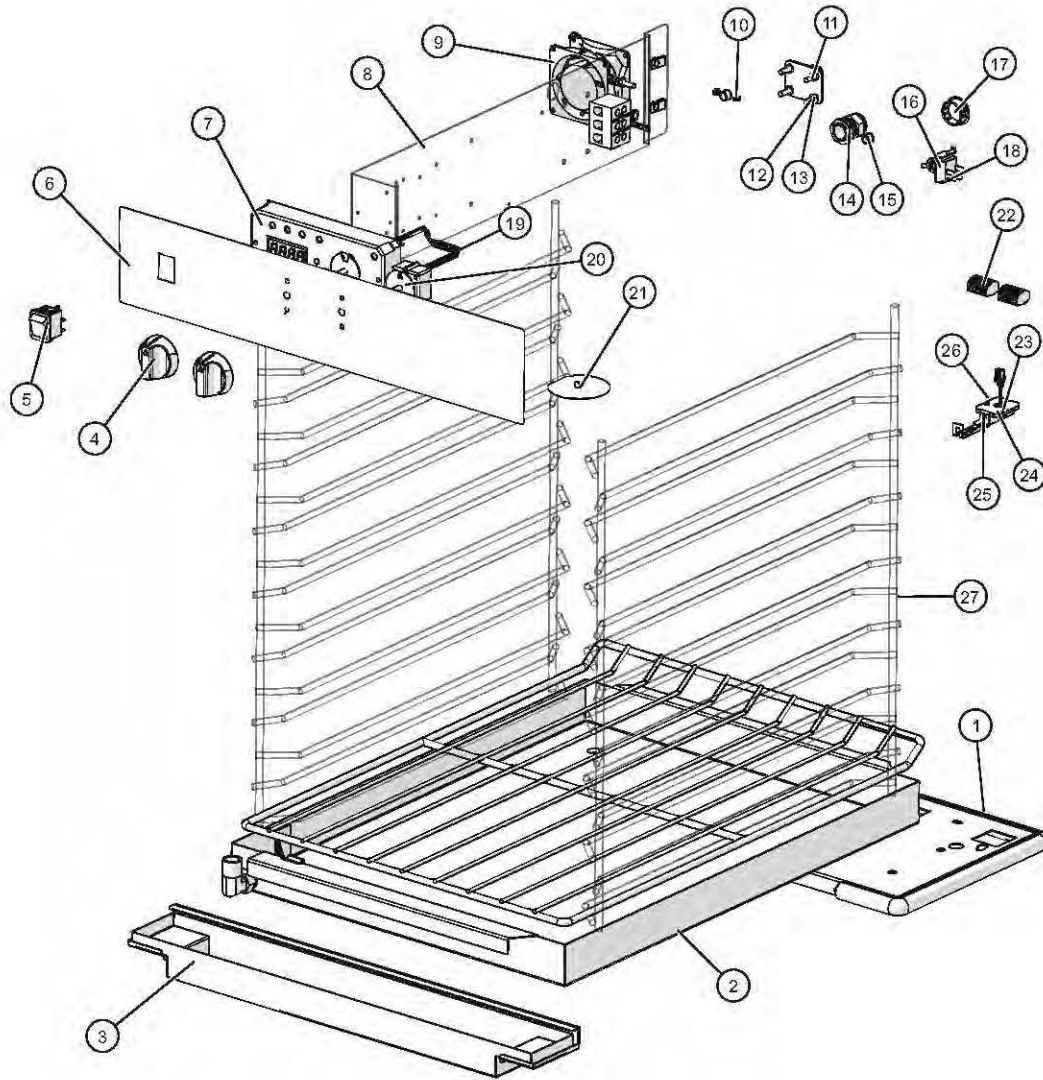
ID	Part No.	Description	Qty
1	5009716	1000-TH DRIP TRAY KIT	1
2	5005616	DRIP PAN WELD ASSBY	1
3	KN-26568	KNOB, UNIBODY, T-STAT CONTROL	2
4	SW-38665	SWITCH,ROCKER,DPST,20A,125V,	1
5	PE-48056	PANEL,OVERLAY,1000-TH SERIES	1
6	CC-34488R	CONTROL, ELAN	1
7	WS-22300	WASHER, SPLIT LOCK	2
8	CB-34945	CABLE, WIRE HARNESS, ELAN C&H,	1
9	NU-22286	M4-0.7 HEX NUT 18-8	2
10	CR-34559	CONNECTOR	2
11	TT-34910	THERMOSTAT,COOK POD,	1
12	SC-2425	8-32 x 1/2" PHIL SCREW	2
13	5014098	1000-TH/II 120V ELEC CHASSIS	1
14	FA-3973	FAN, BOX, 115V, 34CFM	1
15	SC-28142	SCREW,M4x0.7X45MM PAN	2
16	SC-38240	SCREW,M4x0.7X16MM PAN	2
17	NU-38453	NUT,CLIP-ON,M4 X 0.7	4
18	PG-28439	PLUG, DOME,,187" HOLE	6
19	BU-3964	BUSHING,STRAIGHT,STRAIN RELIEF	1
20	PG-25574	3/8" HOLE PLUG	2
21	PG-3325	1.125" HOLE PLUG	1
22	RI-38125	RIVET,SEALED,,125"	2
23	SC-22271	SCREWS,M4-0.7X6MM PHIL	3
24	SN-38111	SENSOR, 1000 OHM, 110" WIRE,	1
25	BK-29605	BLOCK, SENSOR, ELEC. CONTROL	1
26	1493	GUARD SENSOR,W/MW	1
27	CR-34646	CONNECTOR-5 CONDUCTOR	2
28	1006871	NON-PRODUCT PROBE SEAL	1
29	SR-2266	S/S SIDE RACK	2

## Control Package "E," 1000-TH/II, 208-240V



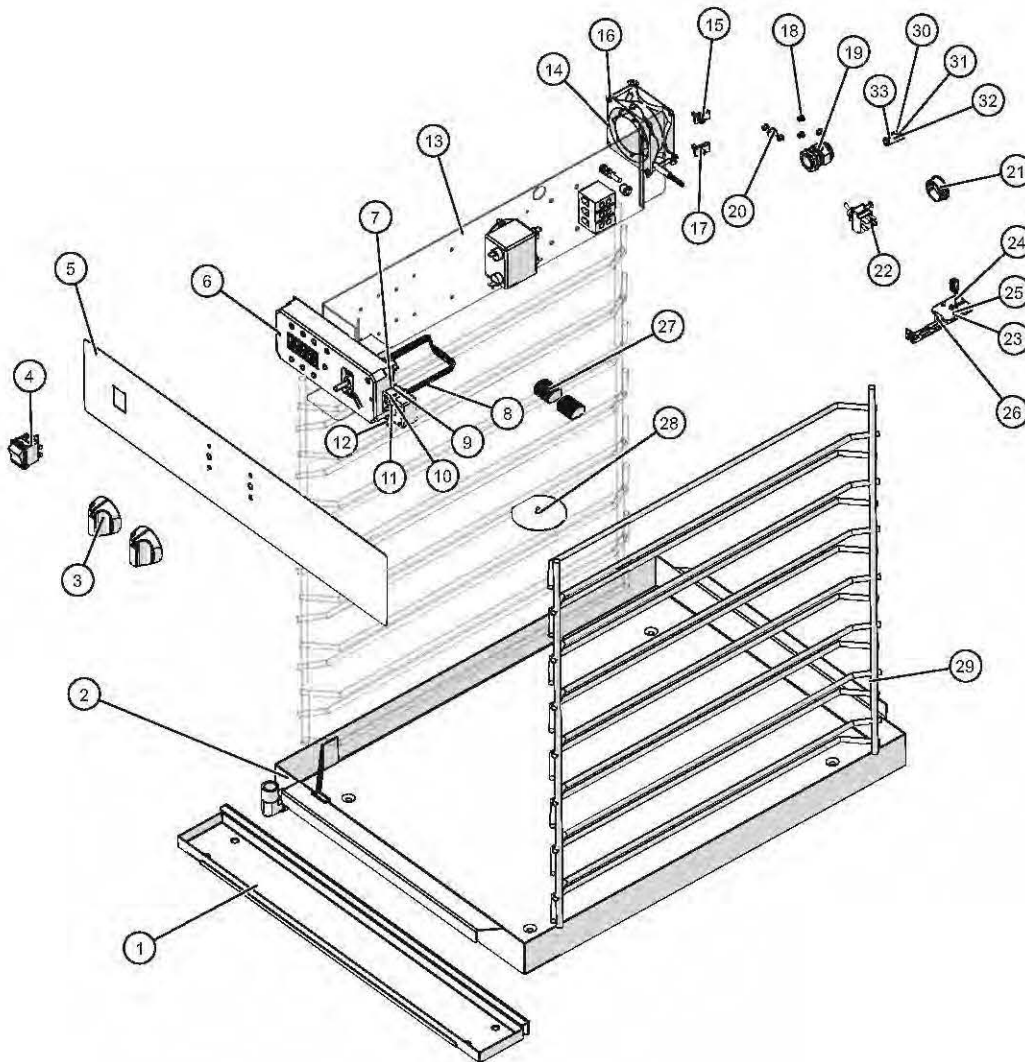
ID	Part No.	Description	Qty
1	5009716	1000-TH DRIP TRAY KIT	1
2	5005616	DRIP PAN WELD ASSBY	1
3	KN-26568	KNOB, UNIBODY, T-STAT CONTROL	2
4	SW-38665	SWITCH,ROCKER,DPST,20A,125V,	1
5	PE-48056	PANEL,OVERLAY,1000-TH SERIES	1
6	CC-34488R	CONTROL, ELAN	1
7	WS-22300	WASHER, SPLIT LOCK	2
8	CB-34945	CABLE, WIRE HARNESS, ELAN C&H,	1
9	NU-22286	M4-0.7 HEX NUT 18-8	2
10	CR-34559	CONNECTOR	2
11	TT-34910	THERMOSTAT,COOK POD,	1
12	SC-2425	8-32 x 1/2" PHIL SCREW	2
13	5014100	1000-TH/II 208-240V ELEC CHASSIS	1
14	FA-34524	FAN,3" BOX,230V,THERMAL PROTEC	1
15	SC-38240	SCREW,M4x0.7X16MM PAN	1
16	SC-38240	SCREW,M4x0.7X16MM PAN	1
17	NU-38453	NUT,CLIP-ON,M4 X 0.7	4
18	PG-28439	PLUG, DOME,,187" HOLE	2
19	BU-3964	BUSHING,STRAIGHT,STRAIN RELIEF	1
20	PG-25574	3/8" HOLE PLUG	2
21	PG-3325	1.125" HOLE PLUG	1
22	RI-38125	RIVET,SEALED,.125"	2
23	SC-22271	SCREWS,M4-0.7X6MM PHIL	3
24	SN-38111	SENSOR, 1000 OHM, 110" WIRE,	1
25	BK-29605	BLOCK, SENSOR, ELEC. CONTROL	1
26	1493	GUARD SENSOR,W/MW	1
27	CR-34646	CONNECTOR-5 CONDUCTOR	2
28	1006871	NON-PRODUCT PROBE SEAL	1
29	SR-2266	S/S SIDE RACK	2

# Control Package "F," 1000-TH/II, 208-240V



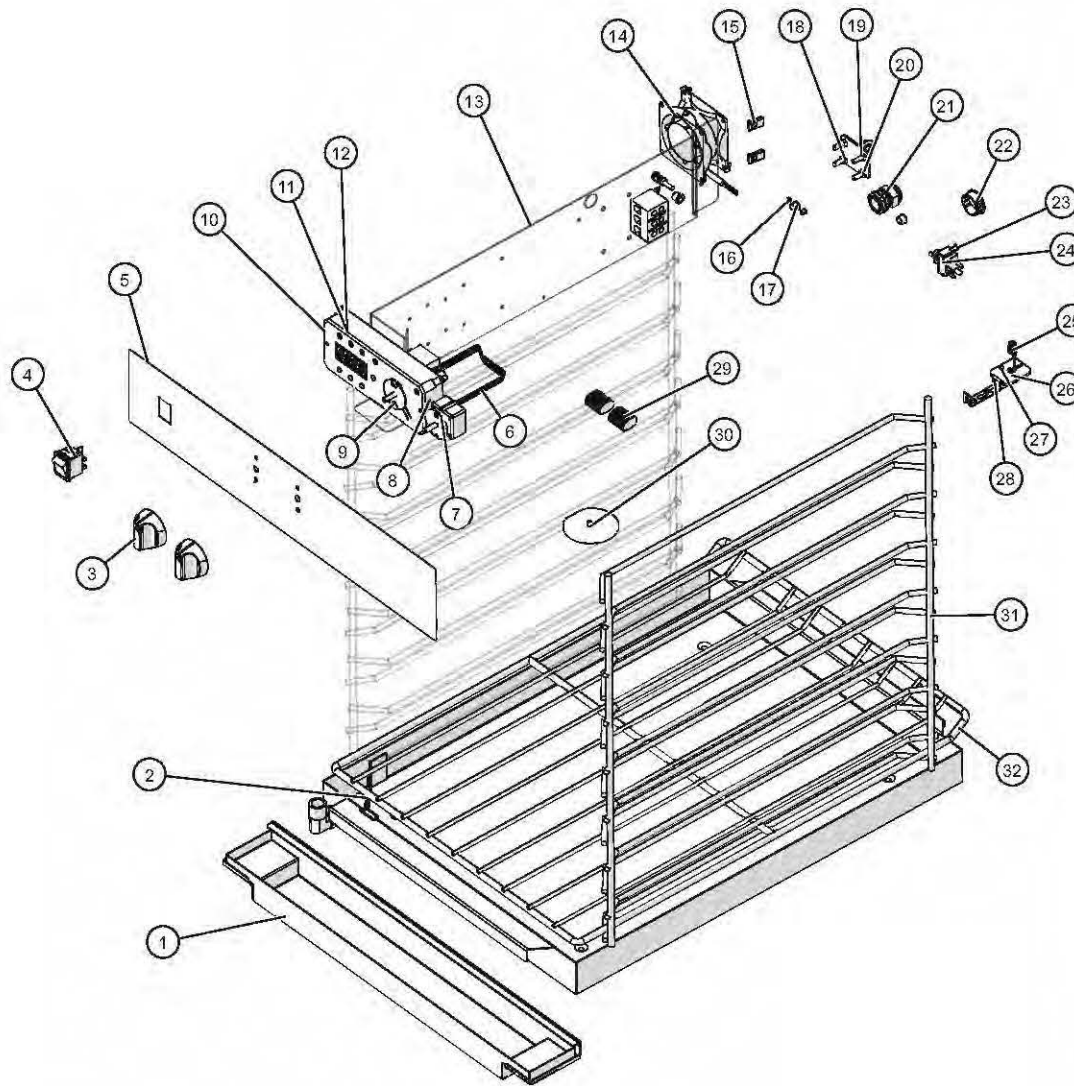
ID	Part No.	Description	Qty
1	5007607	OCB REAR BUMPER PACKAGE	1
2	5005616	DRIP PAN WELD ASSBY	1
3	5010515	1000-TH DRIP TRAY KIT, OCB	1
4	KN-26568	KNOB, UNIBODY, T-STAT CONTROL	2
5	SW-38665	SWITCH,ROCKER,DPST,20A,125V,	1
6	PE-48056	PANEL,OVERLAY,1000-TH SERIES	1
7	CC-34488R	CONTROL, ELAN	1
8	5014100	1000-TH/II 208-240V ELEC CHASSIS	1
9	FA-34524	FAN,3" BOX,230V,THERMAL PROTEC	1
10	PG-28439	PLUG, DOME,,187" HOLE	2
11	BT-26884	BRACKET, TETHER.	1
12	SC-23868	SCREW,M5x0.8X20MM FLAT	4
13	NU-2215	NUT,10-32 UNF HEX MS,18-8 SST	4
14	BU-3964	BUSHING,STRAIGHT,STRAIN RELIEF	1
15	PG-25574	3/8" HOLE PLUG	2
16	SW-3528	20A,250V, DPST TOGGLE SWITCH	1
17	PG-3325	1.125" HOLE PLUG	1
18	RI-38125	RIVET,SEALED,.125"	2
19	CB-34945	CABLE, WIRE HARNESS, ELAN C&H,	1
20	TT-34910	THERMOSTAT,COOK POD,	1
21	1006871	NON-PRODUCT PROBE SEAL	1
22	CR-34646	CONNECTOR-5 CONDUCTOR	2
23	SC-22271	SCREWS,M4-0.7X6MM PHIL	2
24	BK-29605	BLOCK, SENSOR, ELEC. CONTROL	1
25	1493	GUARD SENSOR,W/MW	1
26	SN-38111	SENSOR, 1000 OHM, 110" WIRE,	1
27	SR-2266	S/S SIDE RACK	2

## Control Package "F," 1000-TH/II, 230V



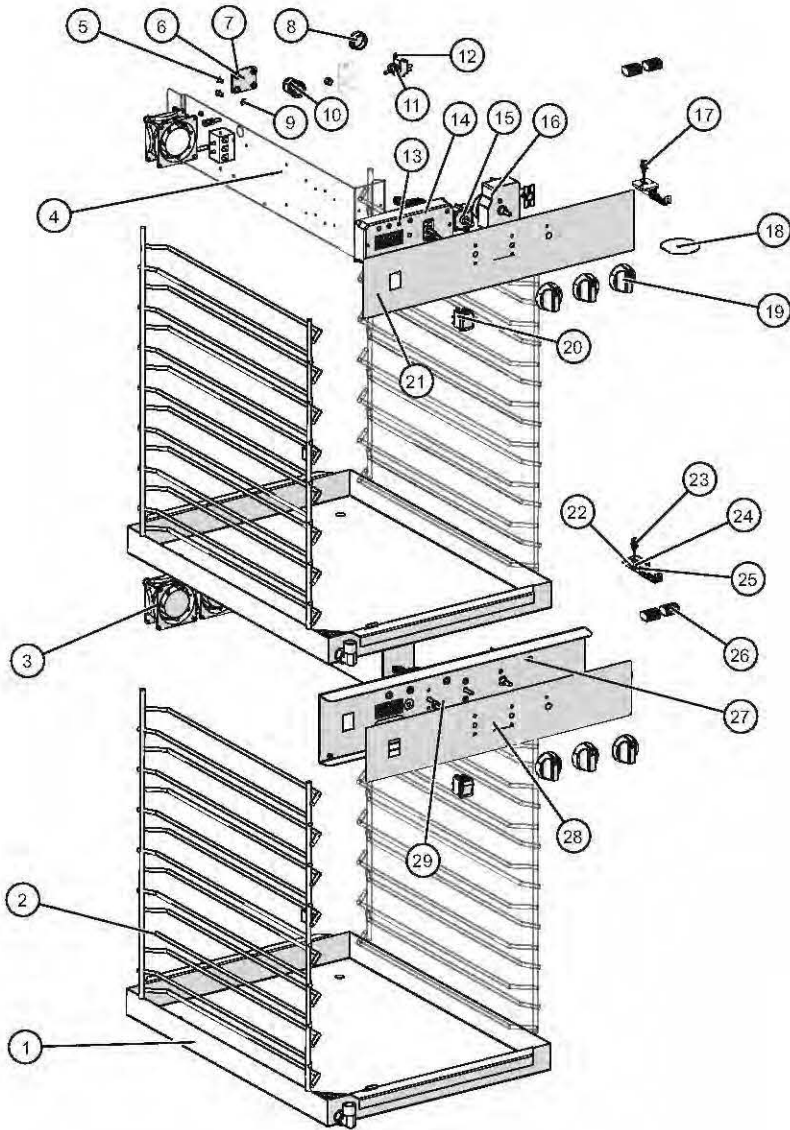
ID	Part No.	Description	Qty
1	5009716	1000-TH DRIP TRAY KIT	1
2	5005616	DRIP PAN WELD ASSBY	1
3	KN-26568	KNOB, UNIBODY, T-STAT CONTROL	2
4	SW-38665	SWITCH,ROCKER,DPST,20A,125V,	1
5	PE-48056	PANEL,OVERLAY,1000-TH SERIES	1
6	CC-34488R	CONTROL, ELAN	1
7	WS-22300	WASHER, SPLIT LOCK	2
8	CB-34945	CABLE, WIRE HARNESS, ELAN C&H,	1
9	NU-22286	M4-0.7 HEX NUT 18-8	2
10	CR-34559	CONNECTOR	2
11	TT-34910	THERMOSTAT,COOK POD,	1
12	SC-2425	8-32 x 1/2" PHIL SCREW	2
13	5014102	1000-TH/II 230V ELEC CHASSIS	1
14	FA-34524	FAN,3" BOX,230V,THERMAL PROTEC	1
15	SC-38240	SCREW,M4x0.7X16MM PAN	2
16	SC-28142	SCREW,M4x0.7X45MM PAN	2
17	NU-38453	NUT,CLIP-ON,M4 X 0.7	4
18	PG-28439	PLUG, DOME, .187" HOLE	6
19	BU-3964	BUSHING,STRAIGHT,STRAIN RELIEF	1
20	PG-25574	3/8" HOLE PLUG	1
21	PG-3325	1.125" HOLE PLUG	1
22	RI-38125	RIVET,SEALED,.125"	2
23	SC-22271	SCREWS,M4-0.7X6MM PHIL	3
24	SN-38111	SENSOR, 1000 OHM, 110" WIRE,	1
25	BK-29605	BLOCK, SENSOR, ELEC. CONTROL	1
26	1493	GUARD SENSOR,W/MW	1
27	CR-34646	CONNECTOR-5 CONDUCTOR	2
28	1006871	NON-PRODUCT PROBE SEAL	1
29	SR-2266	S/S SIDE RACK	2
30	WS-22302	WASHER, SPLIT LOCK	2
31	SC-22924	HHCS, M6 X 20, W/NO MARKING	1
32	WS-22297	WASHER, FLAT	2
33	NU-22770	NUT, THREADED INSERT, M6	1

## Control Package "I," 1000-TH/II, 208-240V



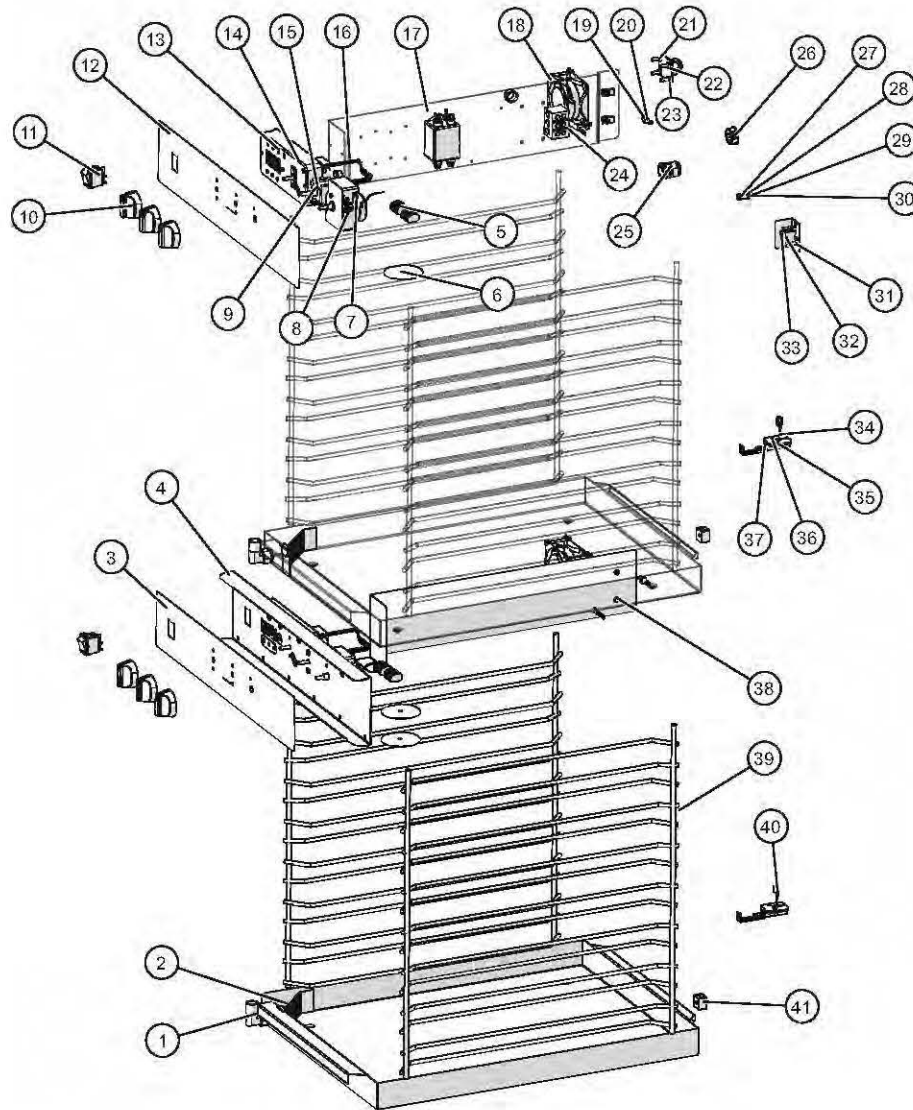
ID	Part No.	Description	Qty
1	5010515	1000-TH DRIP TRAY KIT, OCB	1
2	5005616	DRIP PAN WELD ASSBY	1
3	KN-26568	KNOB, UNIBODY, T-STAT CONTROL	2
4	SW-38665	SWITCH,ROCKER,DPST,20A,125V,	1
5	PE-48056	PANEL,OVERLAY,1000-TH SERIES	1
6	CB-34945	CABLE, WIRE HARNESS, ELAN C&H,	1
7	TT-34910	THERMOSTAT,COOK POD,	1
8	CR-34559	CONNECTOR	2
9	SC-2425	8-32 x 1/2" PHIL SCREW	2
10	CC-34488R	CONTROL, ELAN	1
11	NU-22286	M4-0.7 HEX NUT 18-8	2
12	WS-22300	WASHER, SPLIT LOCK	2
13	5014005	1000-TH/II 208-240V ELEC CHASSIS	1
14	FA-34524	FAN,3" BOX,230V,THERMAL PROTEC	1
15	NU-38453	NUT,CLIP-ON,M4 X 0.7	4
16	PG-28439	PLUG, DOME, .187" HOLE	2
17	PG-25574	3/8" HOLE PLUG	2
18	SC-23868	SCREW,M5x0.8X20MM FLAT	4
19	BT-26884	BRACKET, TETHER.	1
20	NU-2215	NUT,10-32 UNF HEX MS,18-8 SST	4
21	BU-3964	BUSHING,STRAIGHT,STRAIN RELIEF	1
22	PG-3325	1.125" HOLE PLUG	1
23	RI-38125	RIVET,SEALED, .125"	2
24	SW-3528	20A,250V, DPST TOGGLE SWITCH	1
25	SN-38111	SENSOR, 1000 OHM, 110" WIRE,	1
26	BK-29605	BLOCK, SENSOR, ELEC. CONTROL	1
27	SC-22271	SCREWS,M4-0.7X6MM PHIL	3
28	1493	GUARD SENSOR,W/MW	1
29	CR-34646	CONNECTOR-5 CONDUCTOR	2
30	1006871	NON-PRODUCT PROBE SEAL	1
31	SR-2266	S/S SIDE RACK	2
32	SH-2325	SHELF, S/S, 1000-TH	1

## Control Package "A," 1000-SK/I, 208-240V



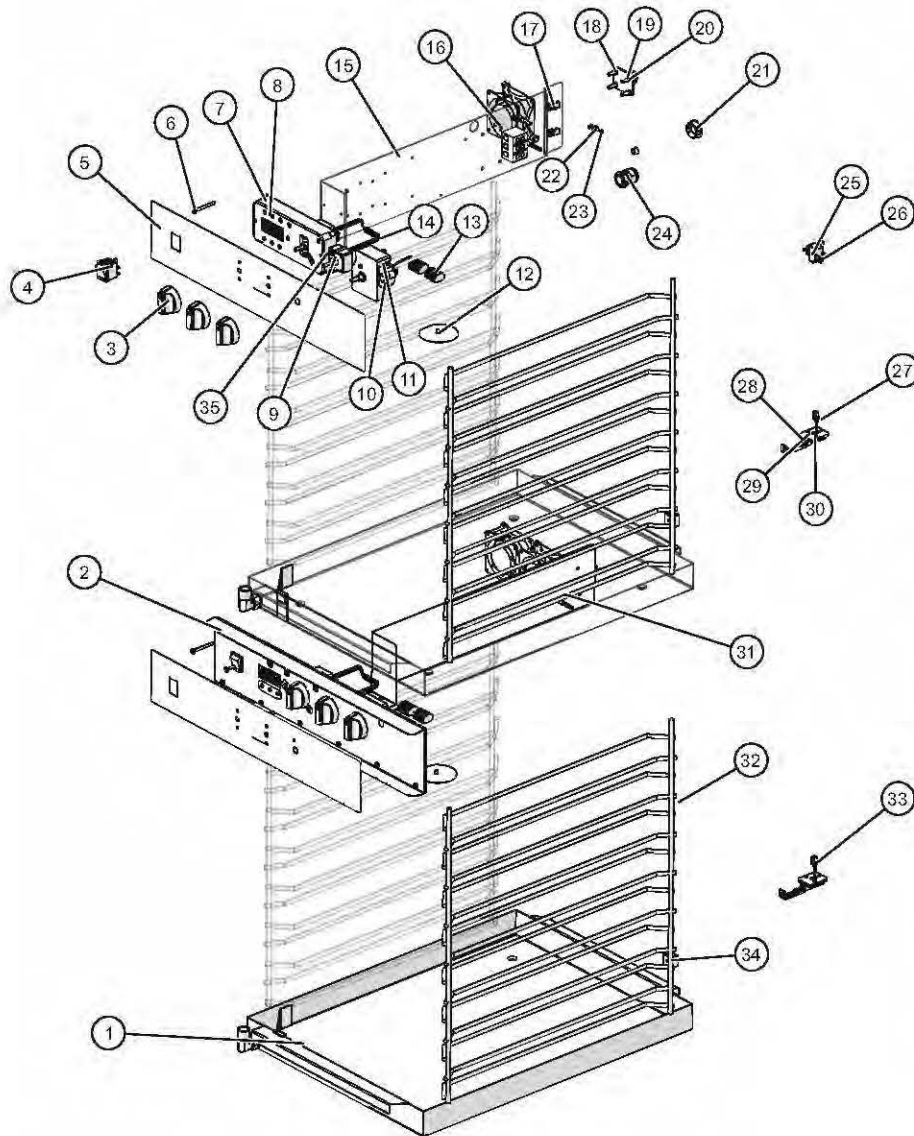
ID	Part No.	Description	Qty
1	5005616	DRIP PAN WELD ASSBY	2
2	SR-2266	S/S SIDE RACK	4
3	FA-34524	FAN,3" BOX,230V,THERMAL PROTEC	3
4	5014317	CHASSIS, ELEC,1000-SK 208-240V	1
5	SC-23670	SCREW,10-32X1/2,NF PHIL,FLAT,	4
6	BT-26884	BRACKET, TETHER,	1
7	NU-2215	NUT,10-32 UNF HEX MS,18-8 SST	4
8	PG-3325	1.125" HOLE PLUG	1
9	PG-25574	3/8" HOLE PLUG	2
10	BU-3964	BUSHING,STRAIGHT,STRAIN RELIEF	1
11	SW-3528	20A,250V, DPST TOGGLE SWITCH	1
12	RI-38125	RIVET,SEALED,.125"	2
13	CC-34488R	CONTROL, ELAN	1
14	CB-34945	CABLE, WIRE HARNESS, ELAN C&H,	2
15	TT-34910	THERMOSTAT,COOK POD,	2
16	TR-34539	TIMER, 1HR, 208/240V, 50/60HZ,	2
17	SN-47162	SENSOR, 1000 OHM, 40" WIRE,	1
18	1006871	NON-PRODUCT PROBE SEAL	2
19	KN-26568	KNOB, UNIBODY, T-STAT CONTROL	6
20	SW-38665	SWITCH,ROCKER,DPST,20A,125V,	2
21	PE-48057	PANEL,OVERLAY,1000-SK/I, SK/II	1
22	SC-22271	SCREWS,M4-0.7X6MM PHIL	2
23	SN-38111	SENSOR, 1000 OHM, 110" WIRE,	1
24	BK-29605	BLOCK, SENSOR, ELEC. CONTROL	1
25	1493	GUARD SENSOR,W/MW	1
26	CR-34646	CONNECTOR-5 CONDUCTOR	4
27	LI-3951	WHITE PILOT LIGHT 250V	2
28	PE-48059	PANEL,OVERLAY,1000-SK MIDBNT	1
29	5013230	1000-SK/II 250T MID BONNET ASSY	1

## Control Package "B," 1000-SK/I, 230V



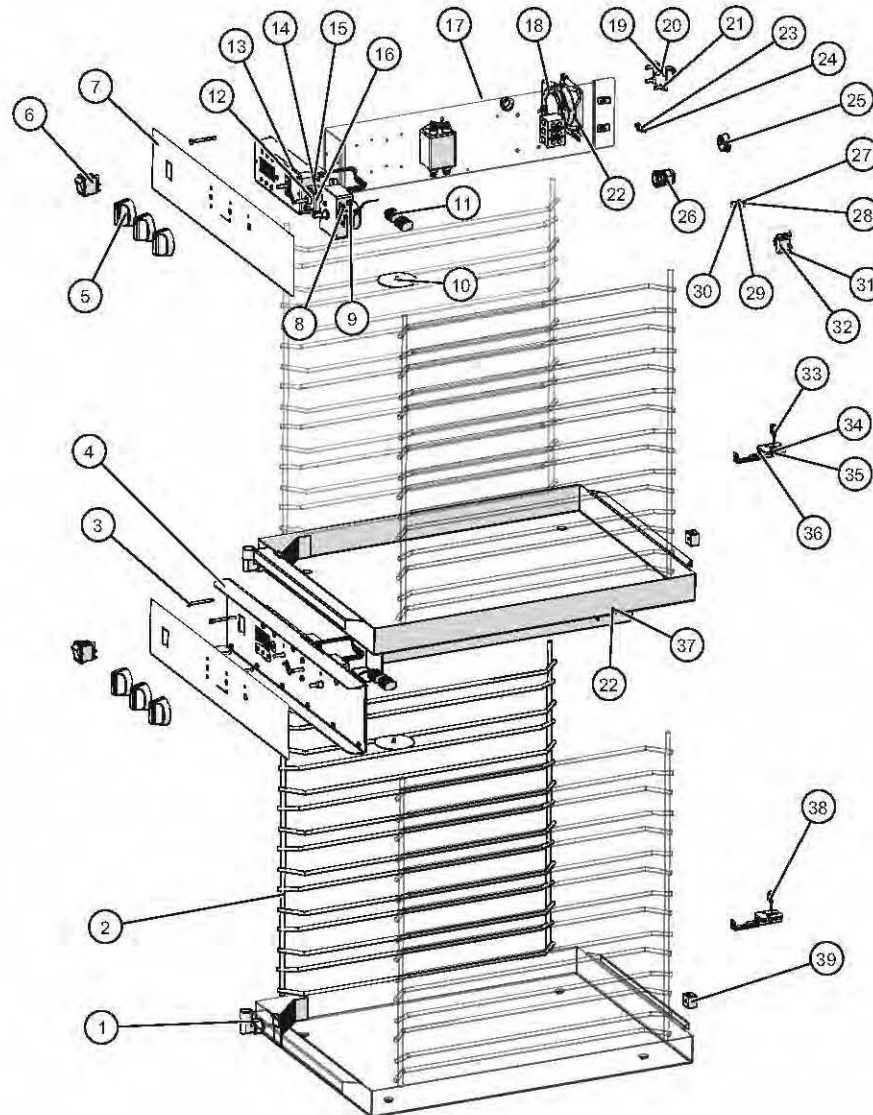
ID	Part No.	Description	Qty
1	EB-22701	EB-22701 ELBOW, configuration:Default	2
2	5005616	DRIP PAN WELD ASSBY	2
3	PE-48059	PANEL,OVERLAY,1000-SK MIDBNT	1
4	5022031	1000-SK/I 230V MID BONNET ASSY	1
5	CR-34646	CONNECTOR-5 CONDUCTOR	4
6	1006871	NON-PRODUCT PROBE SEAL	3
7	TR-34539	TIMER, 1HR, 208/240V, 50/60HZ,	1
8	NU-2296	NUT, HEX #8-32	2
9	TT-34910	THERMOSTAT,COOK POD,	1
10	KN-26568	KNOB, UNIBODY, T-STAT CONTROL	6
11	SW-38665	SWITCH,ROCKER,DPST,20A,125V,	1
12	PE-48057	PANEL,OVERLAY,1000-SK/I, SK/II	1
13	NU-22286	M4-0.7 HEX NUT 18-8	2
14	CC-34488	CONTROL, ELAN	1
15	CR-34559	CONNECTOR, DBL MALE / SINGLE FEMALE	2
16	CB-34945	CABLE, WIRE HARNESS, ELAN C&H,	1
17	5014319	CHASSIS , ELEC, 1000-SK/I 230V	1
18	FA-34524	FAN,3" BOX,230V,THERMAL PROTEC	3
19	PG-28439	PLUG, DOME, .187" HOLE	4
20	PG-25574	3/8" HOLE PLUG	2
21	NU-2215	NUT,10-32 UNF HEX MS,18-8 SST	4
22	BT-26684	BRACKET, TETHER.	1
23	SC-23868	SCREW,M5x0.8X20MM FLAT	4
24	SC-28142	SCREW,M4x0.7X45MM PAN	6
25	BU-3964	BUSHING,STRAIGHT,STRAIN RELIEF	1
26	PG-3325	1.125" HOLE PLUG	1
27	NU-22770	NUT, THREADED INSERT, M6	1
28	WS-22302	WASHER, SPLIT LOCK	2
29	WS-22297	WASHER, FLAT	2
30	SC-22924	HHCS, M6 X 20, W/NO MARKING	1
31	RI-38125	RIVET,SEALED,.125", GRIP RG .039-.118	2
32	SW-3528	20A,250V, DPST TOGGLE SWITCH	1
33	1012606	VOLTAGE SWITCH HOLDER,	1
34	SN-47162	SENSOR, 1000 OHM, 40" WIRE,	1
35	BK-29605	BLOCK, SENSOR, ELEC. CONTROL	2
36	SC-22271	SCREWS,M4-0.7X6MM PHIL	4
37	1493	GUARD SENSOR,W/MW	2
38	NU-38453	NUT,CLIP-ON,M4 X 0.7	10
39	SR-2266	S/S SIDE RACK	4
40	SN-38111	SENSOR, 1000 OHM, 110" WIRE,	1
41	BK-33546	BLOCK, 2 TERMINAL, PORCELAIN	2

## Control Package "C," 1000-SK/I, 208-240V



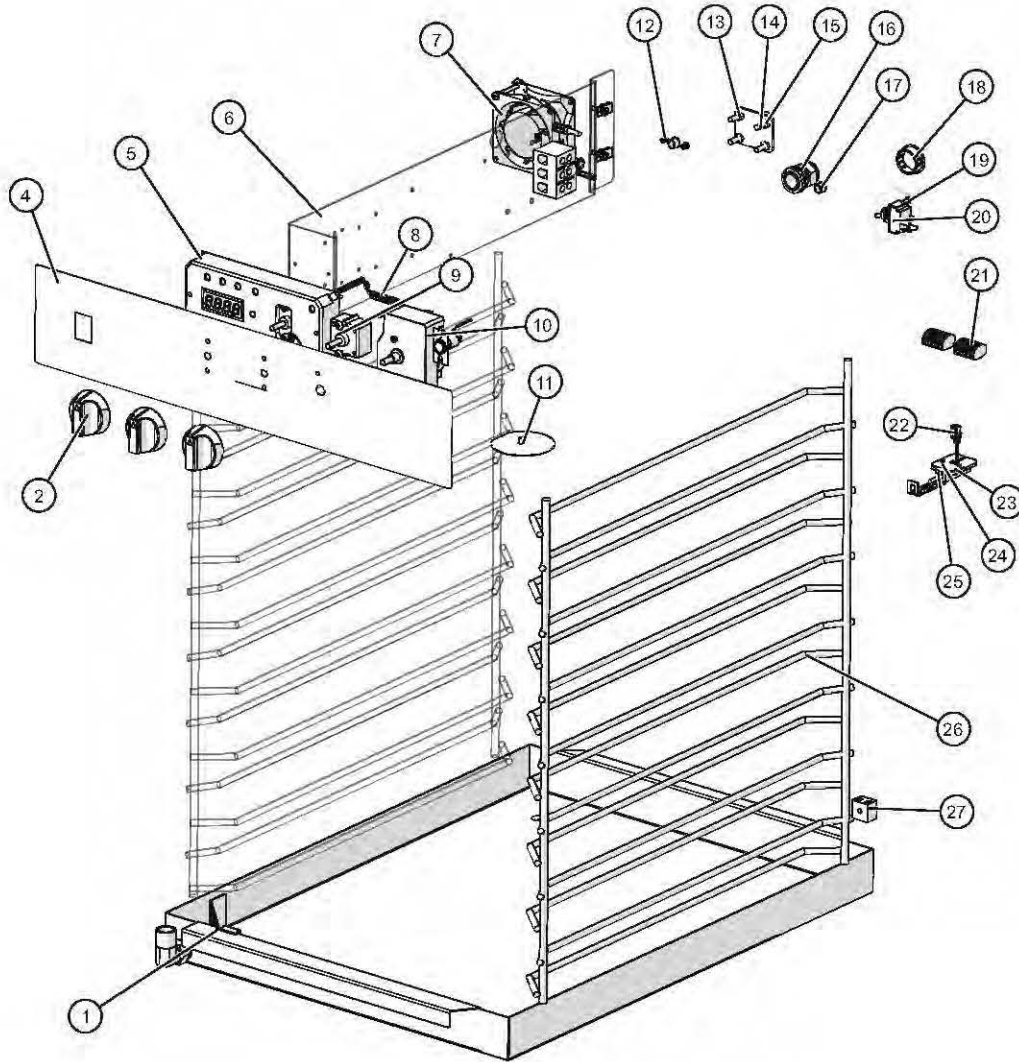
ID	Part No.	Description	Qty
1	5005616	DRIP PAN WELD ASSBY	2
2	5013230	1000-SK/I 250T MID BONNET ASSY	1
3	KN-26568	KNOB, UNIBODY, T-STAT CONTROL	3
4	SW-38665	SWITCH,ROCKER,DPST,20A,125V,	1
5	PE-48057	PANEL,OVERLAY,1000-SK/I, SK/II	1
6	SC-28142	SCREW,M4x0.7X45MM PAN	6
7	CC-34488R	CONTROL, ELAN	1
8	NU-22286	M4-0.7 HEX NUT 18-8	2
9	TT-34910	THERMOSTAT,COOK POD,	1
10	NU-2296	NUT, HEX #8-32	2
11	TR-34539	TIMER, 1HR, 208/240V, 50/60HZ,	1
12	1006871	NON-PRODUCT PROBE SEAL	2
13	CR-34646	CONNECTOR-5 CONDUCTOR	2
14	CB-34945	CABLE, WIRE HARNESS, ELAN C&H,	1
15	5014317	CHASSIS, ELEC,1000-SK 208-240V	1
16	FA-34524	FAN,3" BOX,230V,THERMAL PROTEC	3
17	SC-38240	SCREW,M4x0.7X16MM PAN	4
18	SC-23868	SCREW,M5x0.8X20MM FLAT	4
19	NU-2215	NUT,10-32 UNF HEX MS,18-8 SST	4
20	BT-26884	BRACKET, TETHER.	1
21	PG-3325	1.125" HOLE PLUG	1
22	PG-25574	3/8" HOLE PLUG	2
23	PG-28439	PLUG, DOME, .187" HOLE	4
24	BU-3964	BUSHING,STRAIGHT,STRAIN RELIEF	1
25	SW-3528	20A,250V, DPST TOGGLE SWITCH	1
26	RI-38125	RIVET,SEALED, .125", GRIP RG .039-.118	2
27	SN-47162	SENSOR, 1000 OHM, 40" WIRE,	1
28	1493	GUARD SENSOR,W/MW	2
29	SC-22271	SCREWS,M4-0.7X6MM PHIL	4
30	BK-29605	BLOCK, SENSOR, ELEC. CONTROL	2
31	NU-38453	NUT,CLIP-ON,M4 X 0.7	10
32	SR-2266	S/S SIDE RACK	4
33	SN-38111	SENSOR, 1000 OHM, 110" WIRE,	1
34	BK-33546	BLOCK, 2 TERMINAL, PORCELAIN	2
35	CR-34559	CONNECTOR, DBL MALE / SINGLE FEMALE	2

## Control Package "D," 1000-SK/I, 230V



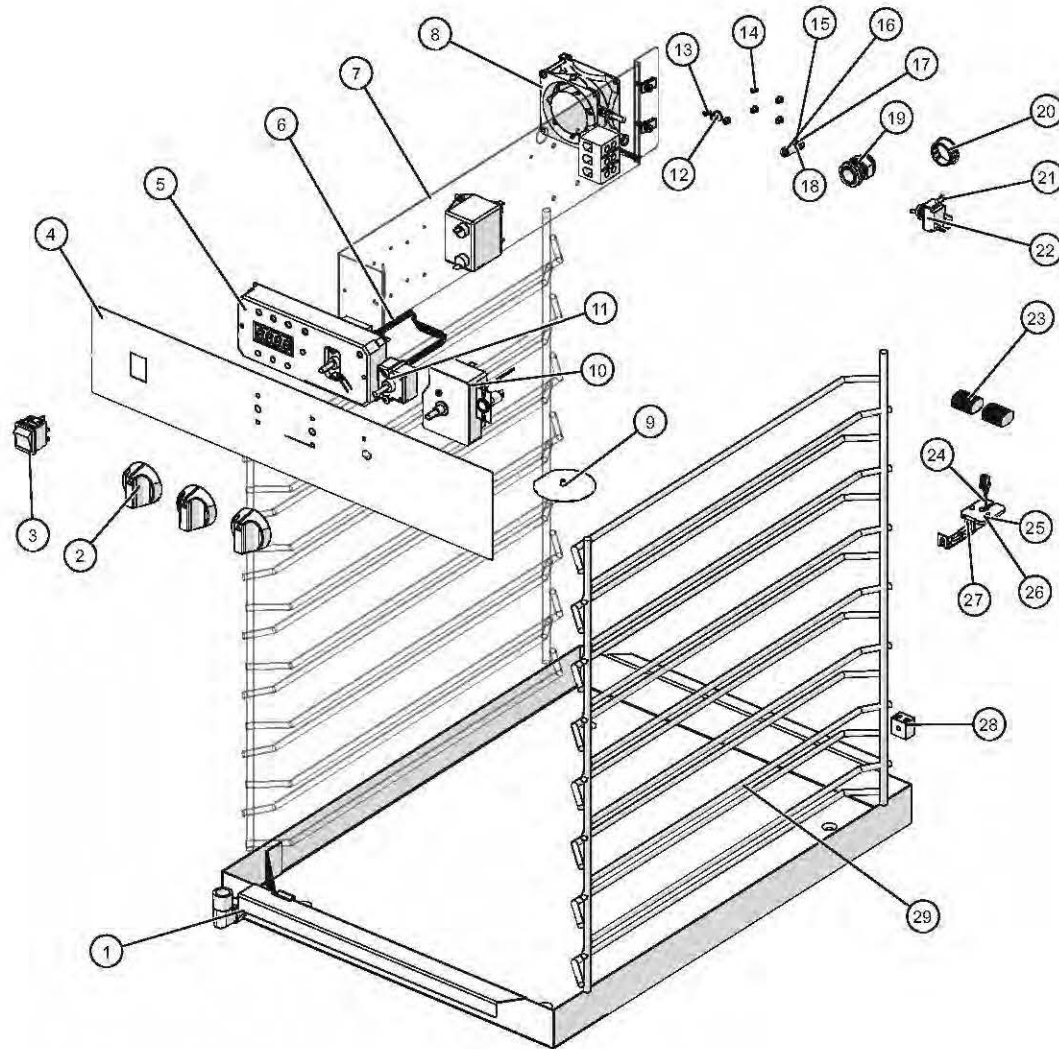
ID	Part No.	Description	Qty
1	5005616	DRIP PAN WELD ASSBY	2
2	SR-2266	S/S SIDE RACK	4
3	SC-28142	SCREW,M4x0.7X45MM PAN	6
4	5022031	1000-SK/I 230V MID BONNET ASSY	1
5	KN-26568	KNOB, UNIBODY, T-STAT CONTROL	6
6	SW-38665	SWITCH,ROCKER,DPST,20A,125V,	1
7	PE-48057	PANEL,OVERLAY,1000-SK/I, SK/II	1
8	NU-2296	NUT, HEX #8-32	2
9	TR-34539	TIMER, 1HR, 208/240V, 50/60HZ,	1
10	1006871	NON-PRODUCT PROBE SEAL	2
11	CR-34646	CONNECTOR-5 CONDUCTOR	4
12	TT-34910	THERMOSTAT,COOK POD,	1
13	CC-34488R	CONTROL, ELAN	1
14	NU-22286	M4-0.7 HEX NUT 18-8	2
15	CB-34945	CABLE, WIRE HARNESS, ELAN C&H,	1
16	CR-34559	CONNECTOR, DBL MALE / SINGLE FEMALE	2
17	5014319	CHASSIS , ELEC,1000-SK/I 230V	1
18	FA-34524	FAN,3" BOX,230V,THERMAL PROTEC	3
19	BT-26884	BRACKET, TETHER.	1
20	NU-2215	NUT,10-32 UNF HEX MS,18-8 SST	4
21	SC-23868	SCREW,M5x0.8X20MM FLAT	4
22	NU-38453	NUT,CLIP-ON,M4 X 0.7	10
23	PG-25574	3/8" HOLE PLUG	2
24	PG-28439	PLUG, DOME, .187" HOLE	4
25	PG-3325	1.125" HOLE PLUG	1
26	BU-3964	BUISHING,STRAIGHT,STRAIN RELIEF	1
27	WS-22302	WASHER, SPLIT LOCK	2
28	SC-22924	HHCS, M6 X 20, W/NO MARKING	1
29	WS-22297	WASHER, FLAT	2
30	NU-22770	NUT, THREADED INSERT, M6	1
31	RI-38125	RIVET,SEALED, .125", GRIP RG .039-.118	2
32	SW-3528	20A,250V, DPST TOGGLE SWITCH	1
33	SN-47162	SENSOR, 1000 OHM, 40" WIRE,	1
34	BK-29605	BLOCK, SENSOR, ELEC. CONTROL	2
35	SC-22271	SCREWS,M4-0.7X6MM PHIL	4
36	1493	GUARD SENSOR,W/MW	2
37	SC-38240	SCREW,M4x0.7X16MM PAN	2
38	SN-38111	SENSOR, 1000 OHM, 110" WIRE,	1
39	BK-33546	BLOCK, 2 TERMINAL, PORCELAIN	2

## Control Package "A," 1000-SK/II, 208-240V



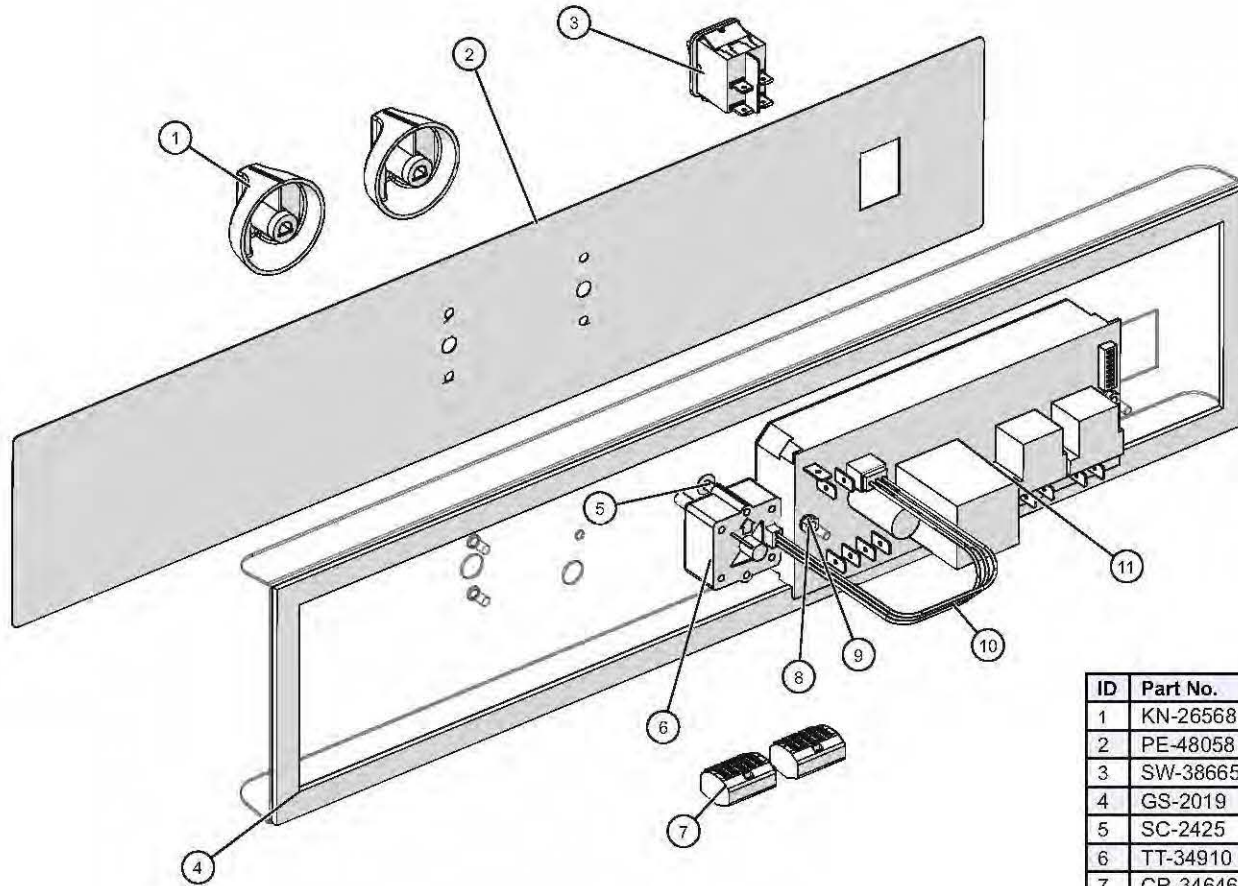
ID	Part No.	Description	Qty
1	5005616	DRIP PAN WELD ASSBY	1
2	KN-26568	KNOB, UNIBODY, T-STAT CONTROL	3
3	SW-38665	SWITCH,ROCKER,DPST,20A,125V,	1
4	PE-48057	PANEL,OVERLAY,1000-SK/I, SK/II	1
5	CC-34488R	CONTROL, ELAN	1
6	5014124	CHASSIS, ELEC 1000-SK 208/240	1
7	FA-34524	FAN,3" BOX,230V,THERMAL PROTEC	1
8	CB-34945	CABLE, WIRE HARNESS, ELAN C&H,	1
9	TT-34910	THERMOSTAT,COOK POD,	1
10	TR-34539	TIMER, 1HR, 208/240V, 50/60HZ,	1
11	1006871	NON-PRODUCT PROBE SEAL	1
12	PG-28439	PLUG, DOME, .187" HOLE	2
13	NU-2215	NUT,10-32 UNF HEX MS,18-8 SST	4
14	BT-26884	BRACKET, TETHER	1
15	SC-23868	SCREW,M5x0.8X20MM FLAT	4
16	BU-3964	BUSHING,STRAIGHT,STRAIN RELIEF	1
17	PG-25574	3/8" HOLE PLUG	2
18	PG-3325	1.125" HOLE PLUG	1
19	RI-38125	RIVET,SEALED,.125"	2
20	SW-3528	20A,250V, DPST TOGGLE SWITCH	1
21	CR-34646	CONNECTOR 5 CONDUCTOR	2
22	SN-38111	SENSOR, 1000 OHM, 110" WIRE,	1
23	BK-29605	BLOCK, SENSOR, ELEC. CONTROL	1
24	SC-22271	SCREWS,M4-0.7X6MM PHIL	2
25	1493	GUARD SENSOR,W/MW	1
26	SR-2266	S/S SIDE RACK	2
27	BK-33546	BLOCK, 2 TERMINAL, PORCELAIN	1

# Control Package "B," 1000-SK/II, 230V



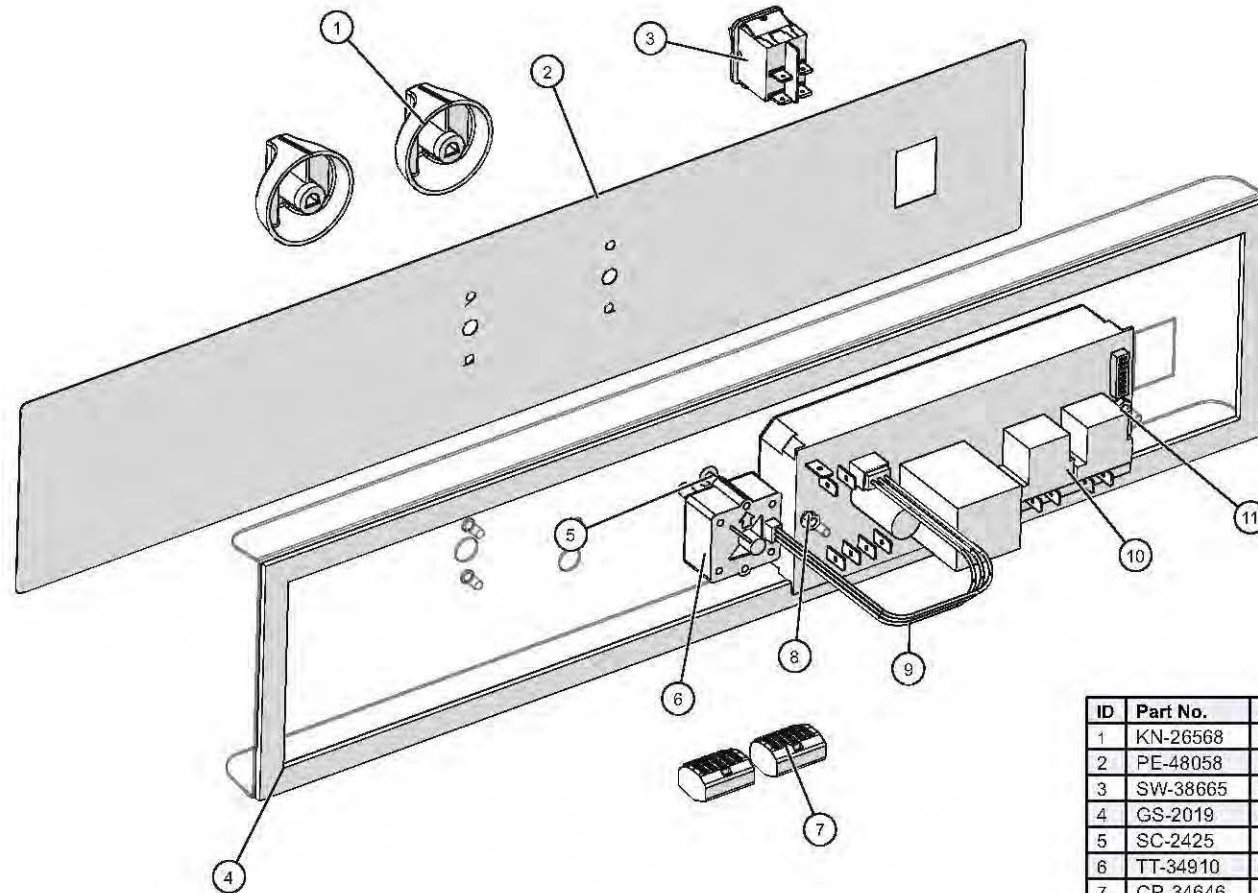
ID	Part No.	Description	Qty
1	5005616	DRIP PAN WELD ASSBY	1
2	KN-26568	KNOB, UNIBODY, T-STAT CONTROL	3
3	SW-38665	SWITCH,ROCKER,DPST,20A,125V,	1
4	PE-48057	PANEL,OVERLAY,1000-SK/I, SK/II	1
5	CC-34488R	CONTROL, ELAN	1
6	CB-34945	CABLE, WIRE HARNESS, ELAN C&H,	1
7	5014132	767-SK,1000-SK/II 230V ELEC CHASSIS	1
8	FA-34524	FAN,3" BOX,230V,THERMAL PROTEC	1
9	1006871	NON-PRODUCT PROBE SEAL	1
10	TR-34539	TIMER, 1HR, 208/240V, 50/60HZ,	1
11	TT-34910	THERMOSTAT,COOK POD,	1
12	PG-25574	3/8" HOLE PLUG	1
13	PG-28439	PLUG, DOME, .187" HOLE	2
14	PG-28439	PLUG, DOME, .187" HOLE	4
15	WS-22297	WASHER, FLAT	2
16	NU-22770	NUT, THREADED INSERT, M6	1
17	WS-22302	WASHER, SPLIT LOCK	2
18	SC-22924	HHCS, M6 X 20, W/NO MARKING	1
19	BU-3964	BUSHING,STRAIGHT,STRAIN RELIEF	1
20	PG-3325	1.125" HOLE PLUG	1
21	RI-38125	RIVET,SEALED,.125"	2
22	SW-3528	20A,250V, DPST TOGGLE SWITCH	1
23	CR-34646	CONNECTOR-5 CONDUCTOR	2
24	SN-38111	SENSOR, 1000 OHM, 110" WIRE,	1
25	SC-22271	SCREWS,M4-0.7X6MM PHIL	2
26	BK-29605	BLOCK, SENSOR, ELEC. CONTROL	1
27	1493	GUARD SENSOR,W/MW	1
28	BK-33546	BLOCK, 2 TERMINAL, PORCELAIN	1
29	SR-2266	S/S SIDE RACK	2

## Mid-Bonnet Assembly, 1000-TH/I



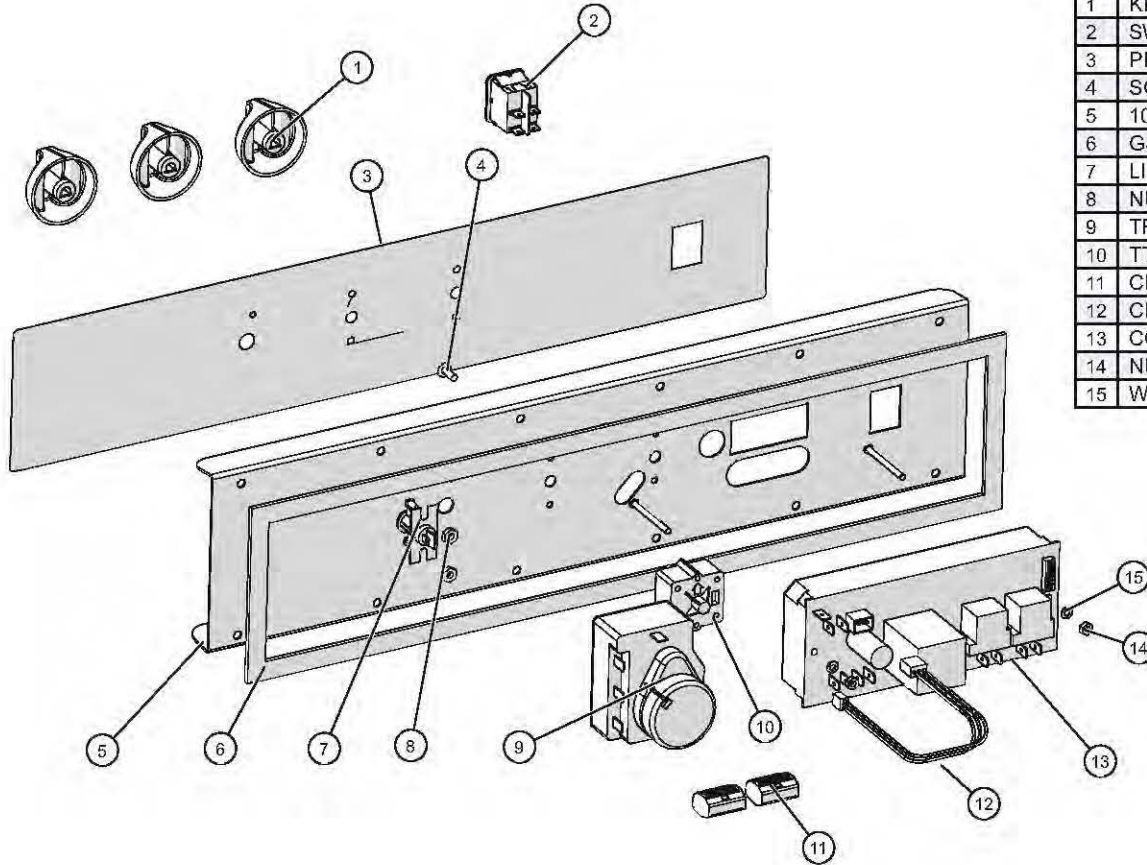
ID	Part No.	Description	Qty
1	KN-26568	KNOB, UNIBODY, T-STAT CONTROL	2
2	PE-48058	PANEL, MIDBONNET OVERLAY, 1000	1
3	SW-38665	SWITCH, ROCKER, DPST, 20A, 125V,	1
4	GS-2019	GASKET, TAPE 1/2"Wx 54" DBL COATED	1
5	SC-2425	8-32 x 1/2" PHIL SCREW	2
6	TT-34910	THERMOSTAT, COOK POD,	1
7	CR-34646	CONNECTOR-5 CONDUCTOR	2
8	NU-22286	M4-0.7 HEX NUT 18-8	2
9	WS-22300	WASHER, SPLIT LOCK	2
10	CB-34945	CABLE, WIRE HARNESS, ELAN C&H,	1
11	CC-34488R	CONTROL, ELAN	1

## Mid-Bonnet Assembly, 1000-TH/I 230V



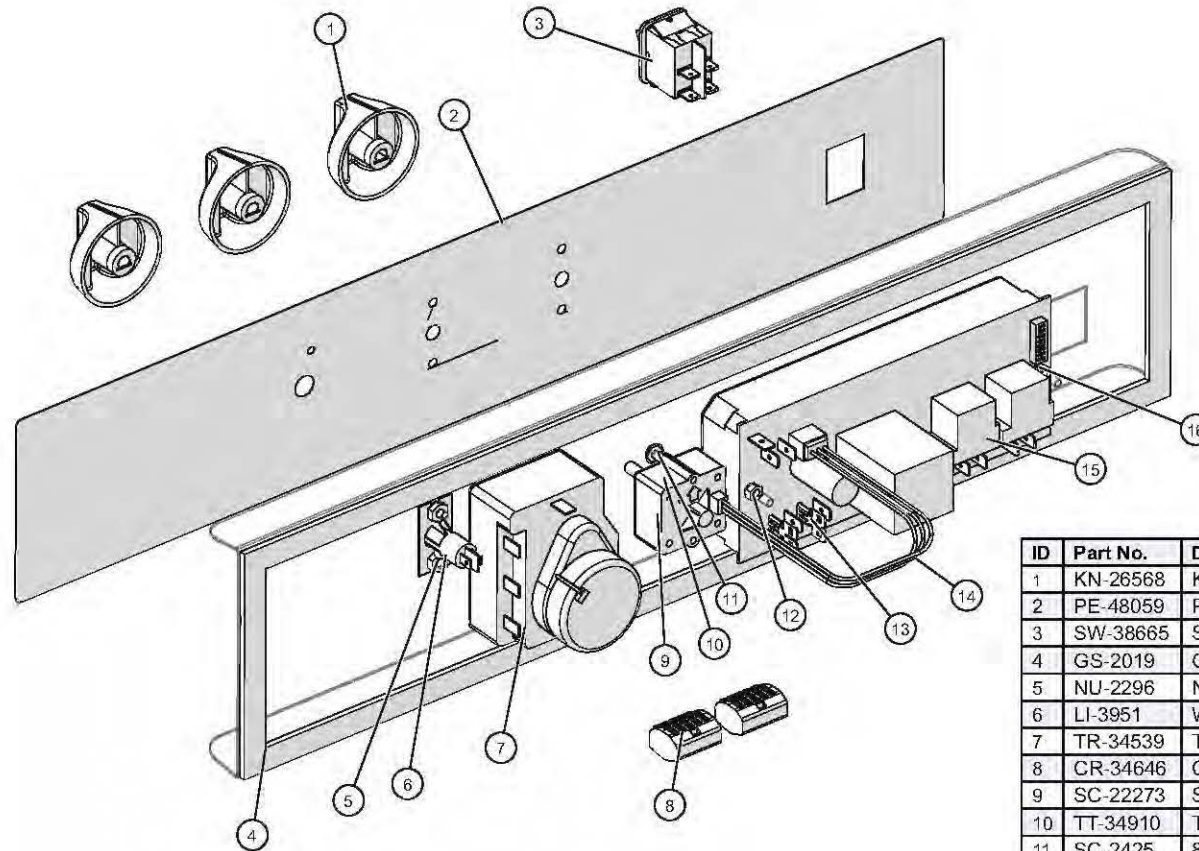
ID	Part No.	Description	Qty
1	KN-26568	KNOB, UNIBODY, T-STAT CONTROL	2
2	PE-48058	PANEL, MIDBONNET OVERLAY, 1000	1
3	SW-38665	SWITCH, ROCKER, DPST, 20A, 125V,	1
4	GS-2019	GASKET, TAPE 1/2"Wx 54" DBL COATED	1
5	SC-2425	8-32 x 1/2" PHIL SCREW	2
6	TT-34910	THERMOSTAT, COOK POD,	1
7	CR-34646	CONNECTOR-5 CONDUCTOR	2
8	WS-22300	WASHER, SPLIT LOCK	2
9	CB-34945	CABLE, WIRE HARNESS, ELAN C&H,	1
10	CC-34488R	CONTROL, ELAN	1
11	NU-22286	M4-0.7 HEX NUT 18-8	2

## Mid-Bonnet Assembly, 1000-SK/I 208-240V



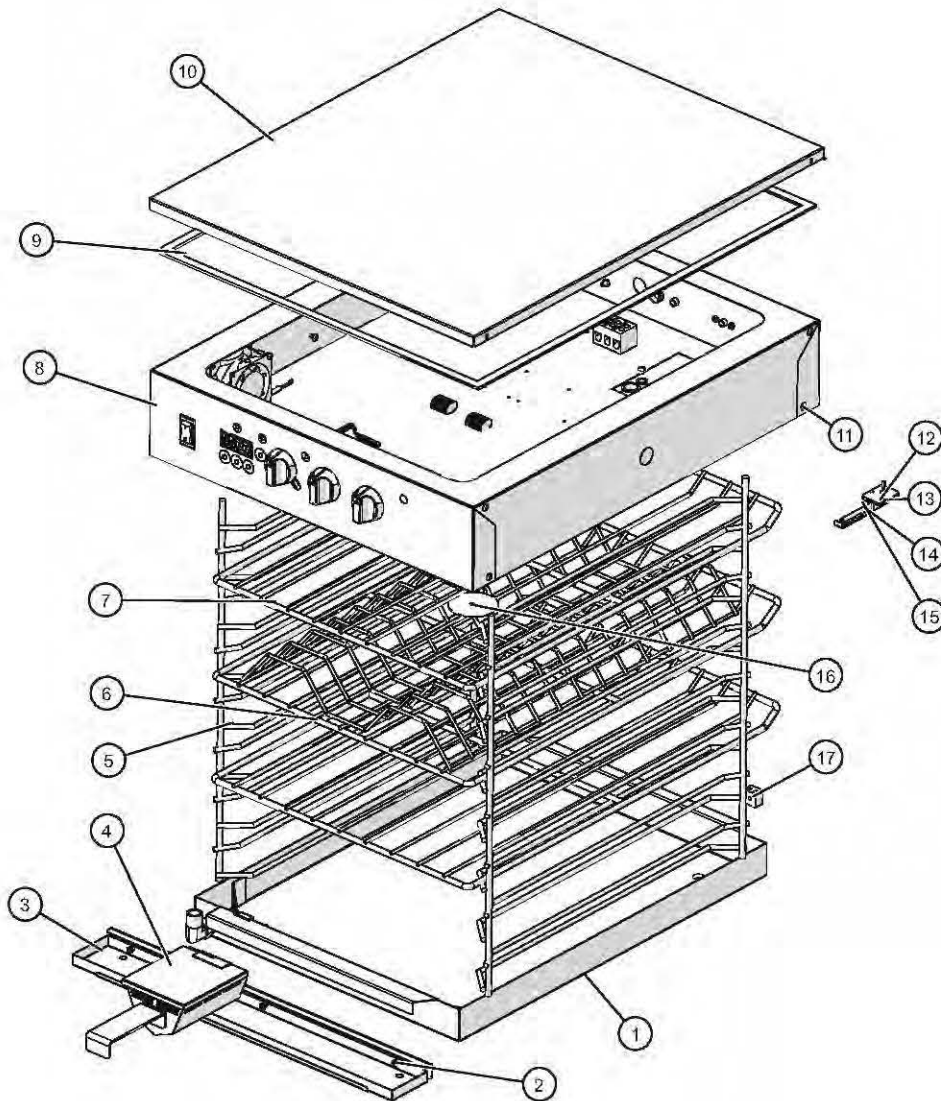
ID	Part No.	Description	Qty
1	KN-26568	KNOB, UNIBODY, T-STAT CONTROL	3
2	SW-38665	SWITCH,ROCKER,DPST,20A,125V,	1
3	PE-48059	PANEL,OVERLAY,1000-SK MIDBNT	1
4	SC-2425	8-32 x 1/2" PHIL SCREW	2
5	1038364	1000 THI ELAN CONTROL	1
6	GS-23622	GASKET, BLACK @ 51"	1
7	LI-3951	WHITE PILOT LIGHT 250V	1
8	NU-2296	NUT, HEX #8-32	2
9	TR-34539	TIMER, 1HR, 208/240V, 50/60HZ,	1
10	TT-34910	THERMOSTAT,COOK POD,	1
11	CR-34646	CONNECTOR-5 CONDUCTOR	2
12	CB-34945	CABLE, WIRE HARNESS, ELAN C&H,	1
13	CC-34488	CONTROL, ELAN	1
14	NU-22286	M4-0.7 HEX NUT 18-8	2
15	WS-22300	WASHER, SPLIT LOCK	2

## Mid-Bonnet Assembly, 1000-SK/I, 230V



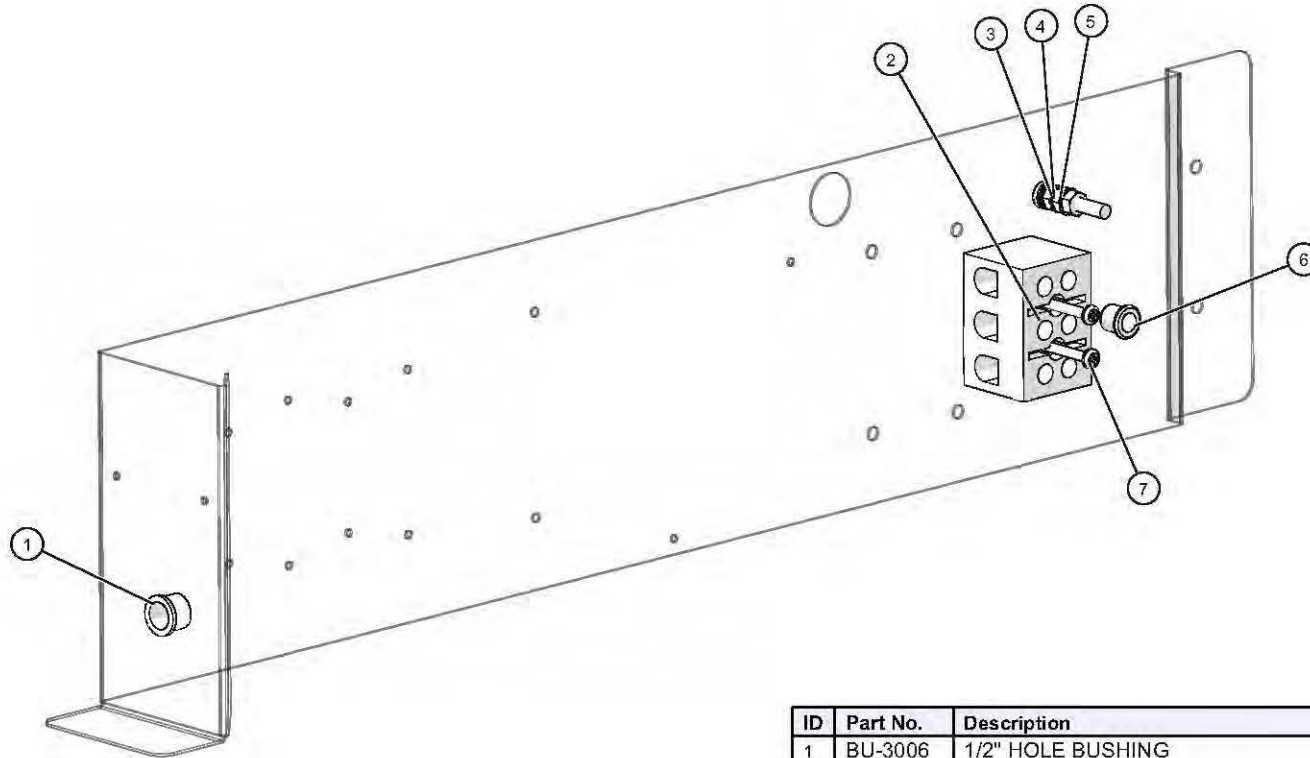
ID	Part No.	Description	Qty
1	KN-26568	KNOB, UNIBODY, T-STAT CONTROL	3
2	PE-48059	PANEL, OVERLAY, 1000-SK MIDBNT	1
3	SW-38665	SWITCH, ROCKER, DPST, 20A, 125V,	1
4	GS-2019	GASKET, TAPE 1/2"Wx 54" DBL COATED	1
5	NU-2296	NUT, HEX #8-32	2
6	LI-3951	WHITE PILOT LIGHT 250V	1
7	TR-34539	TIMER, 1HR, 208/240V, 50/60HZ,	1
8	CR-34646	CONNECTOR-5 CONDUCTOR	2
9	SC-22273	SCREW, M4x0.7X10MM PAN	2
10	TT-34910	THERMOSTAT, COOK POD,	1
11	SC-2425	8-32 x 1/2" PHIL SCREW	2
12	NU-22286	M4-0.7 HEX NUT 18-8	2
13	CR-34559	CONNECTOR, DBL MALE / SINGLE FEMALE	2
14	CB-34945	CABLE, WIRE HARNESS, ELAN C&H,	1
15	CC-34488R	CONTROL, ELAN	1
16	WS-22300	WASHER, SPLIT LOCK	2

## Bonnet Package "A," 1000-SK/II



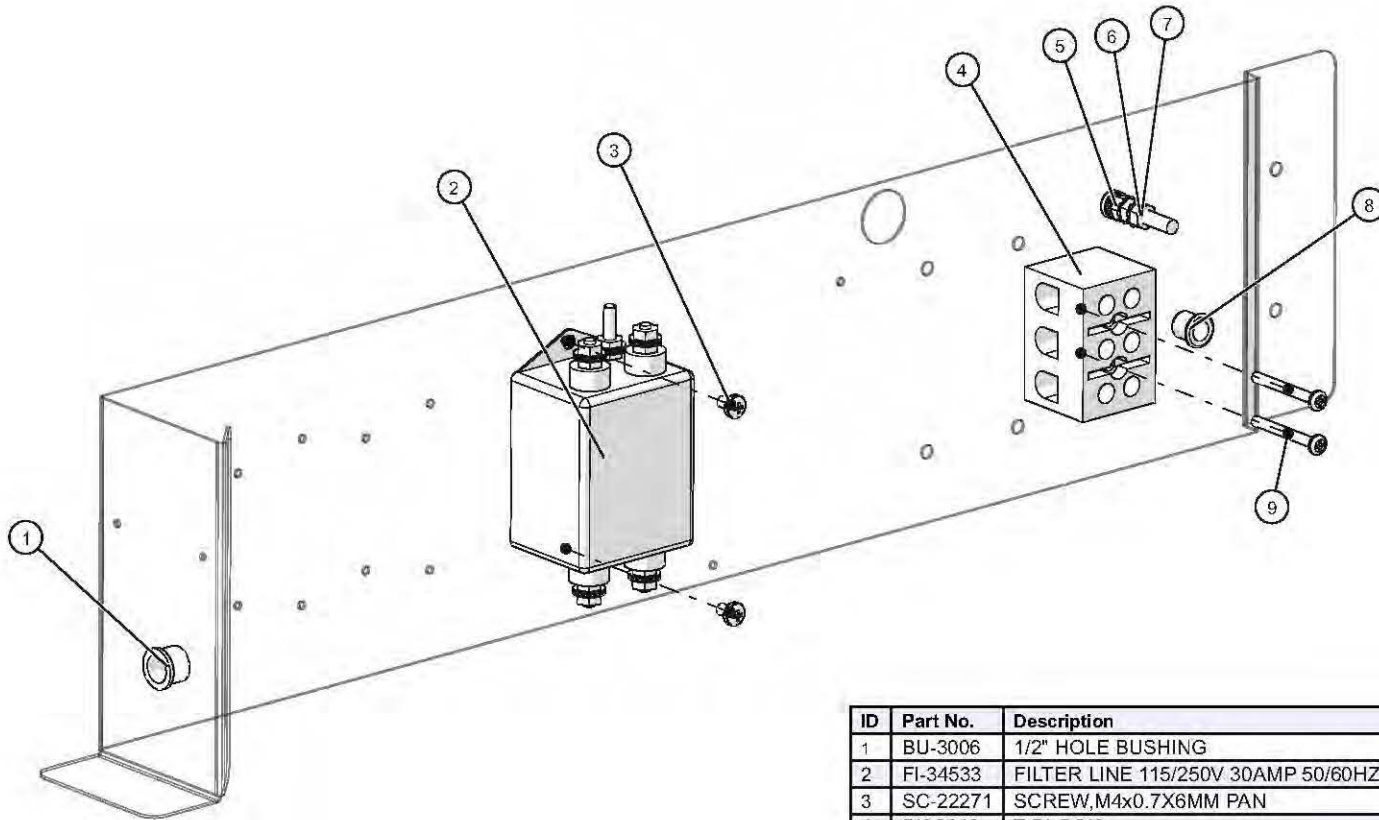
ID	Part No.	Description	Qty
1	5005616	DRIP PAN WELD ASSBY	1
2	SC-22271	SCREW,M4x0.7X6MM PAN	2
3	5009716	1000-TH DRIP TRAY KIT	1
4	4652	CHIP TRAY WELD	1
5	SR-2266	S/S SIDE RACK	2
6	SH-29474	SHELF, RIB RACK, S/S, 1000-SK	1
7	SH-2325	SHELF, S/S, 1000-TH OR -SK	2
8	5012758	1000-SK/II, 208/240V BONNET ASSB	1
9	GS-23622	GASKETS,,ADHESIVE,,125X.375	1
10	1011668	1000-TH ELAN C&H TOP COVER	1
11	SC-2459	8-32 x 1/4" PHIL SCREW	9
12	BK-29606	ELAN CONTROL SENSOR BLOCK	1
13	SC-22271	SCREWS,M4-0.7X6MM PHIL	2
14	1008272	BRACKET, SENSOR MTG.	1
15	PR-34494	PROBE, ELAN CONTROL CC-34488	1
16	1006871	NON-PRODUCT PROBE SEAL	1
17	BK-33546	BLOCK, 2 TERMINAL, PORCELAIN	1

## Electrical Chassis Assembly, 1000-TH/I, 208-240V



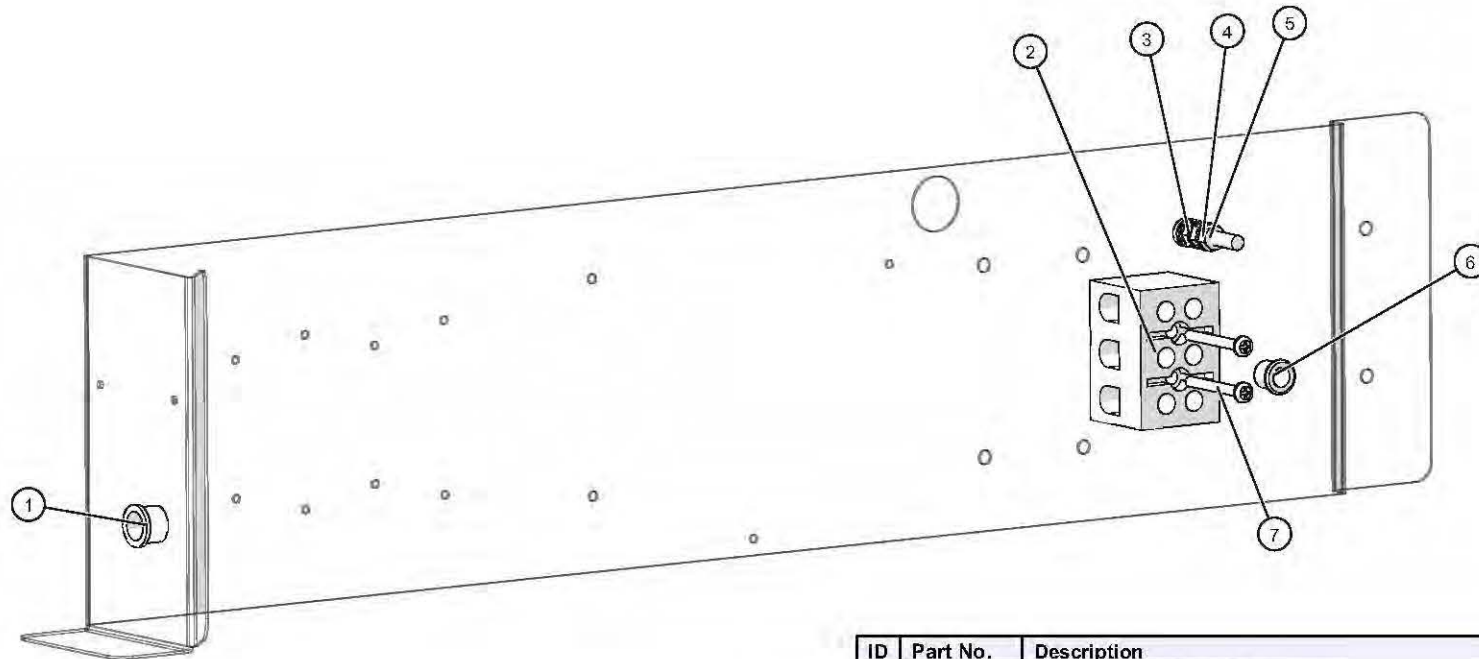
ID	Part No.	Description	Qty
1	BU-3006	1/2" HOLE BUSHING	1
2	BK-3019	T-BLOCK	1
3	SC-38128	SCREW,PAN PH, METRIC, M5	1
4	WS-2467	WASHER, INT. LOCK	1
5	NU-36234	NUT, M5, KEPS	3
6	BU-3419	3/8" BLACK HOLE BUSHING	1
7	SC-2365	SCREW,6-32X1-1/4,NC PHILLIPS	2
8	5012254	1000-TH/I, 1767-SK 208-240V ELAN MAIN WIRE SET (NOT SHOWN)	1
9	5012256	1000-TH/I, 1767-SK 208/240V SECONDARY WIRE SET (NOT SHOWN)	1

## Electrical Chassis Assembly, 1000-TH/I, 230V



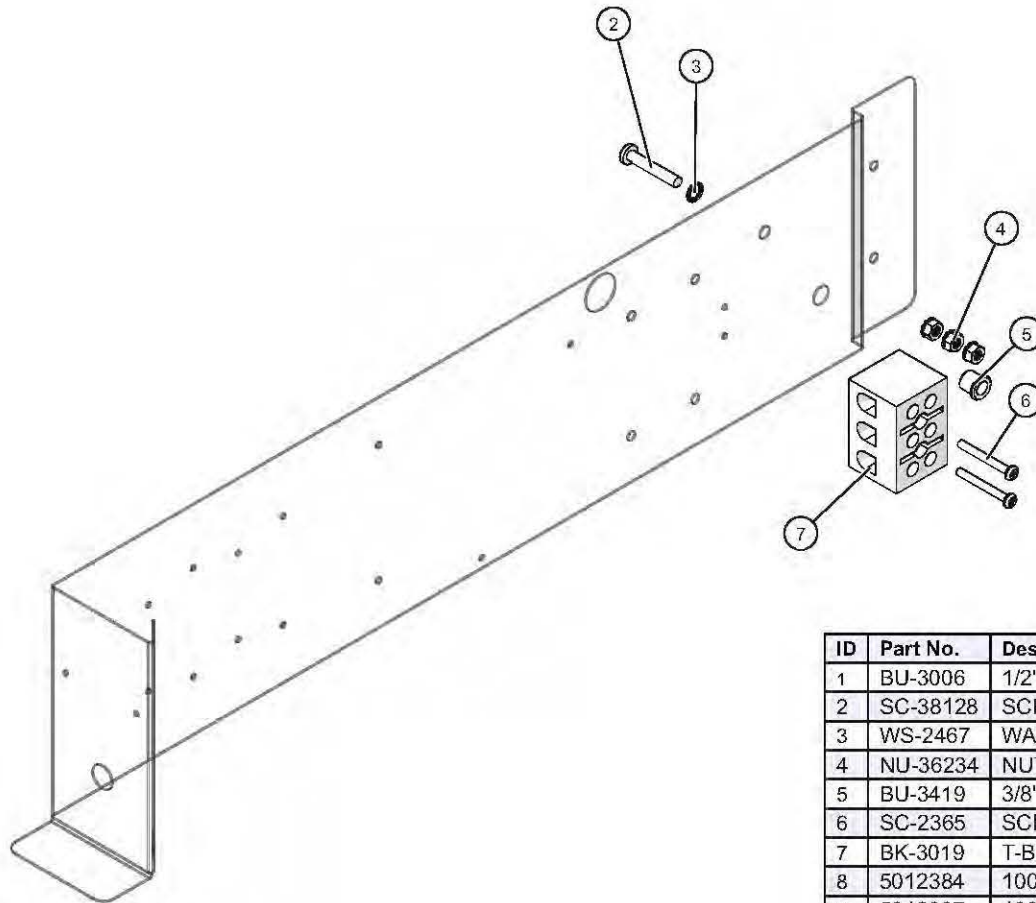
ID	Part No.	Description	Qty
1	BU-3006	1/2" HOLE BUSHING	1
2	FI-34533	FILTER LINE 115/250V 30AMP 50/60HZ	1
3	SC-22271	SCREW,M4x0.7X6MM PAN	2
4	BK-3019	T-BLOCK	1
5	WS-2467	WASHER, INT. LOCK	1
6	SC-38128	SCREW,PAN PH, METRIC, M5	1
7	NU-36234	NUT, M5, KEPS	3
8	BU-3419	3/8" BLACK HOLE BUSHING	1
9	SC-2365	SCREW,6-32X1-1/4,NC PHILLIPS	2
10	5012254	1000-TH/I, 1767-SK 208-240V ELAN MAIN WIRE SET (NOT SHOWN)	1
11	5012260	1000-TH/I, 1767-SK 230V WIRE SET (NOT SHOWN)	1

## Electrical Chassis Assembly, 1000-TH/II, 120V



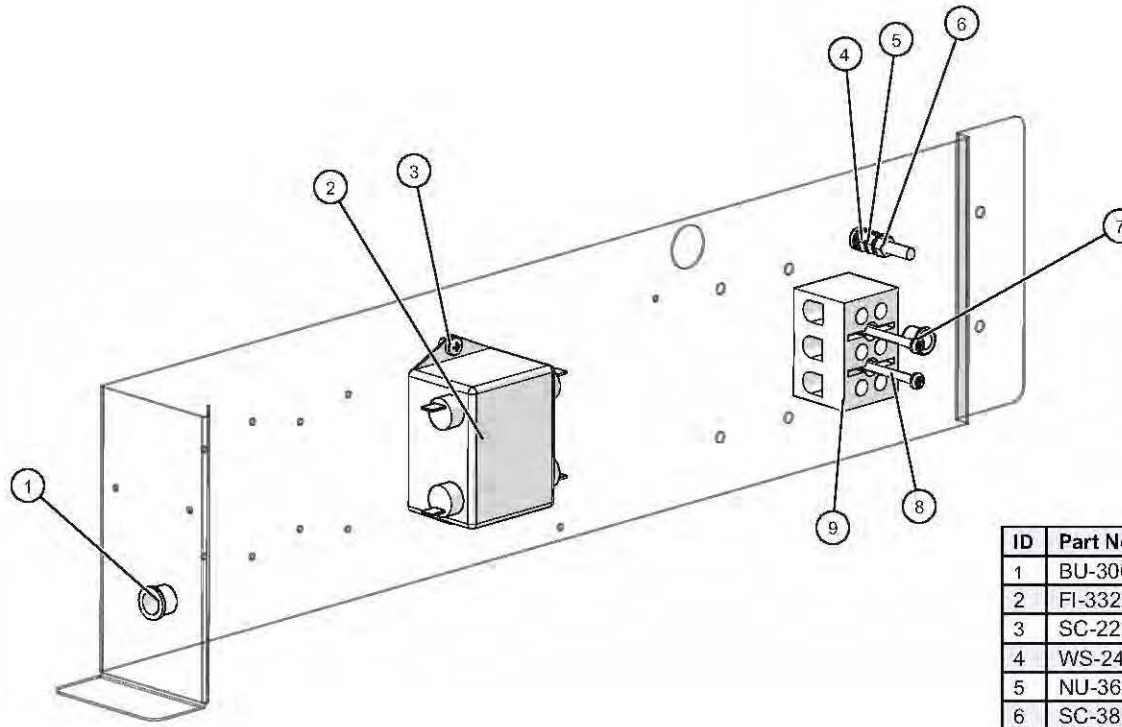
ID	Part No.	Description	Qty
1	BU-3006	1/2" HOLE BUSHING	1
2	BK-3019	T-BLOCK	1
3	WS-2467	WASHER, INT. LOCK	1
4	NU-36234	NUT, M5, KEPS	3
5	SC-38128	SCREW,PAN PH, METRIC, M5	1
6	BU-3419	3/8" BLACK HOLE BUSHING	1
7	SC-2365	SCREW,6-32X1-1/4,NC PHILLIPS	2
8	5012383	1000-TH2 SK2 ELAN WIRE SET 120V (not shown)	1

## Electrical Chassis Assembly, 1000-TH/II, 208-240V



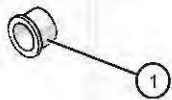
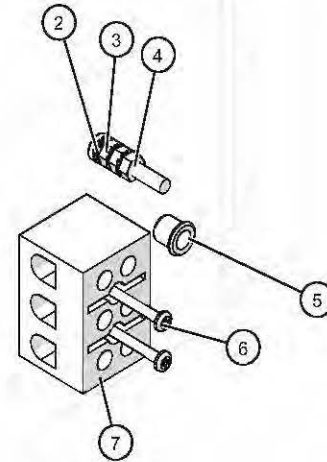
ID	Part No.	Description	Qty
1	BU-3006	1/2" HOLE BUSHING	1
2	SC-38128	SCREW,PAN PH, METRIC, M5	1
3	WS-2467	WASHER, INT. LOCK	1
4	NU-36234	NUT, M5, KEPS	3
5	BU-3419	3/8" BLACK HOLE BUSHING	1
6	SC-2365	SCREW,6-32X1-1/4,NC PHILLIPS	2
7	BK-3019	T-BLOCK	1
8	5012384	1000-TH2 MAIN WIRE SET (not shown)	1
9	5012387	1000-TH2 SECONDARY WIRE SET (not shown)	1

## Electrical Chassis Assembly, 1000-TH/II, 230V



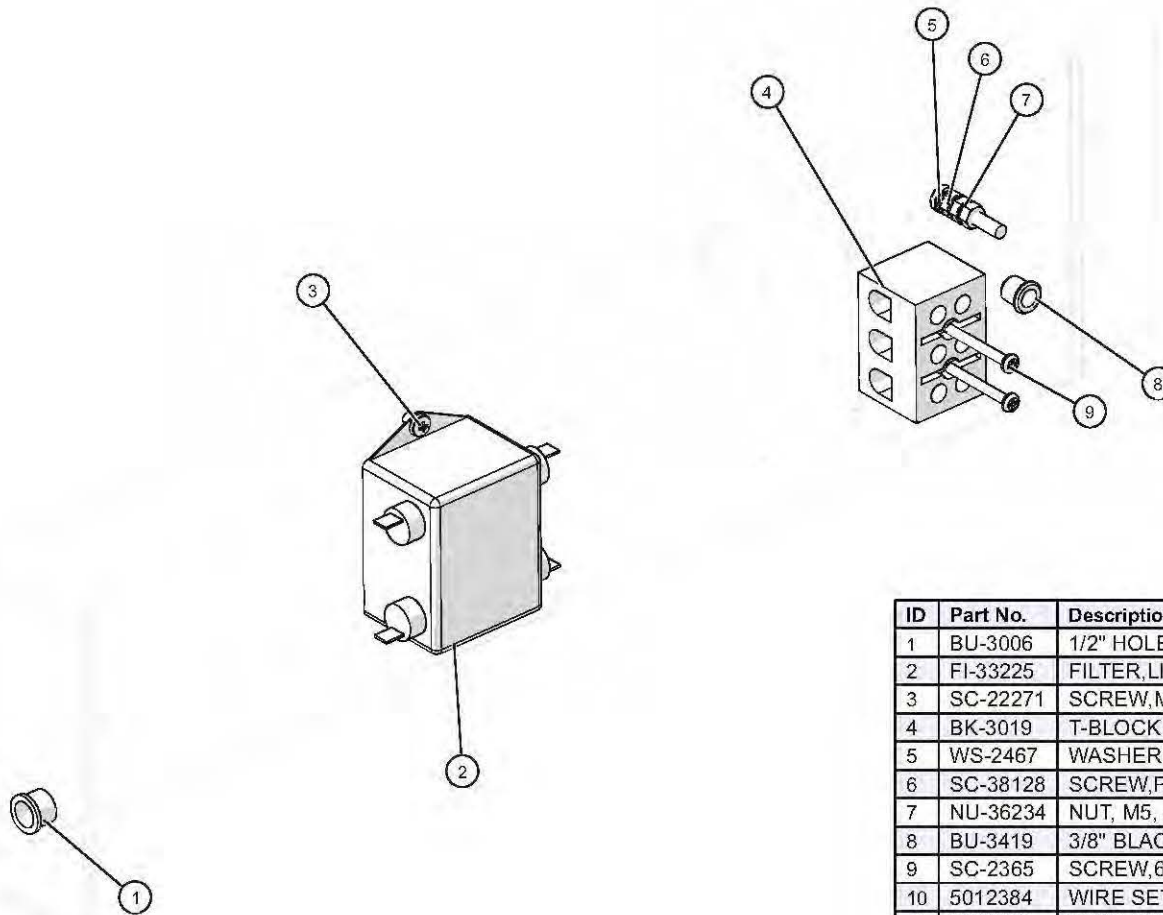
ID	Part No.	Description	Qty
1	BU-3006	1/2" HOLE BUSHING	1
2	FI-33225	FILTER,LINE, 115/250V,50/60HZ	1
3	SC-22271	SCREW,M4x0.7X6MM PAN	2
4	WS-2467	WASHER, INT. LOCK	1
5	NU-36234	NUT, M5, KEPS	3
6	SC-38128	SCREW,PAN PH, METRIC, M5	1
7	BU-3419	3/8" BLACK HOLE BUSHING	1
8	SC-2365	SCREW,6-32X1-1/4,NC PHILLIPS	2
9	BK-3019	T-BLOCK	1
10	5012384	WIRE SET, MAIN, 208-240V (not shown)	1
11	5012385	WIRE SET, SECONDARY, 230V (not shown)	1

## Electrical Chassis Assembly, 1000-SK, 208-240V



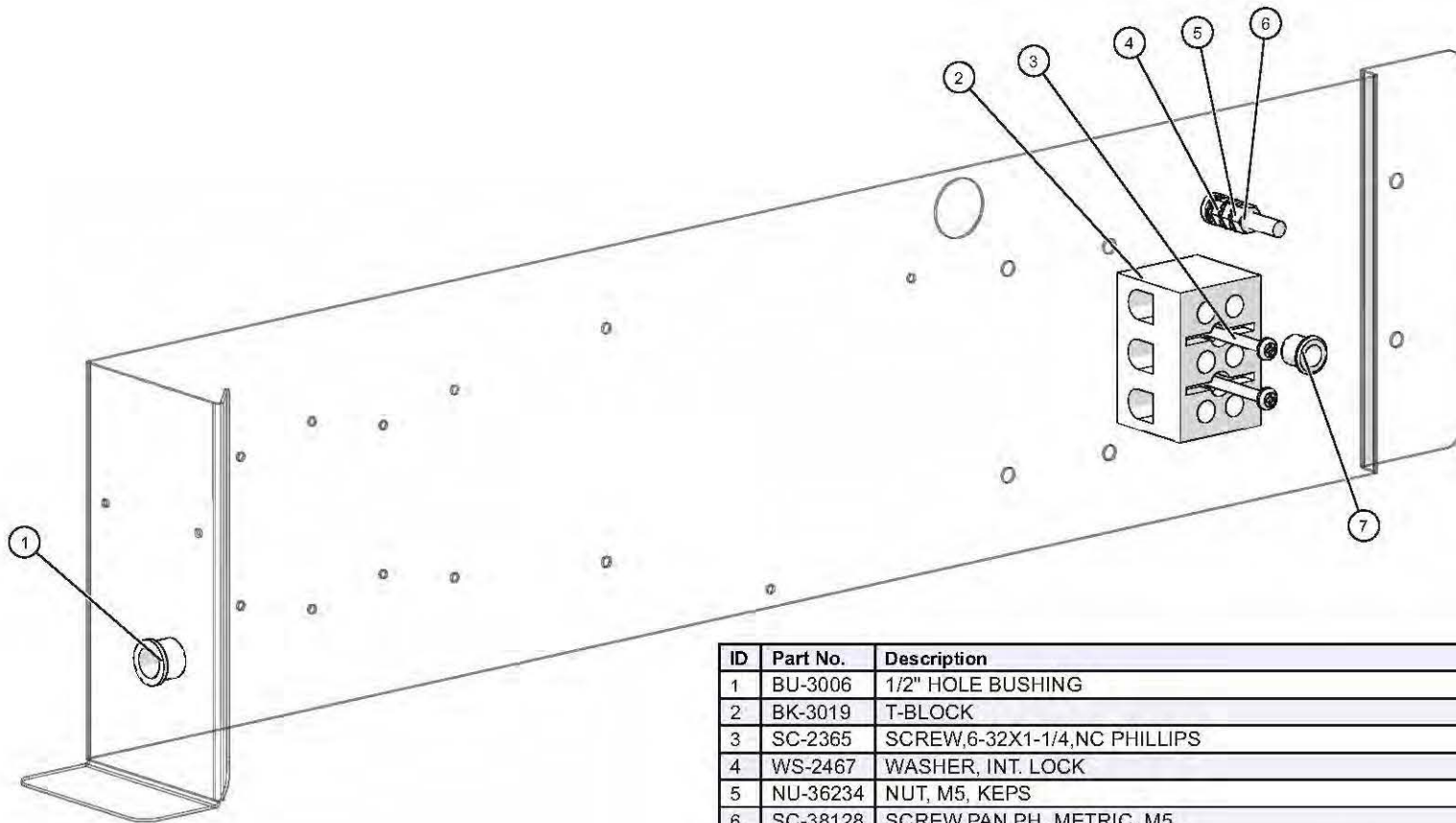
ID	Part No.	Description	Qty
1	BU-3006	1/2" HOLE BUSHING	1
2	WS-2467	WASHER, INT. LOCK	1
3	SC-38128	SCREW,PAN PH, METRIC, M5	1
4	NU-36234	NUT, M5, KEPS	3
5	BU-3419	3/8" BLACK HOLE BUSHING	1
6	SC-2365	SCREW,6-32X1-1/4,NC PHILLIPS	2
7	BK-3019	T-BLOCK	1
8	5012384	WIRESET, MAIN, 208-240V (not shown)	1
9	5012387	208/240V ELAN SECONDARY WIRESET (not shown)	1
10	5012386	767-SK,1000-SK/II SMKR WIRESET (not shown)	1

## Electrical Chassis Assembly, 1000-SK, 230V



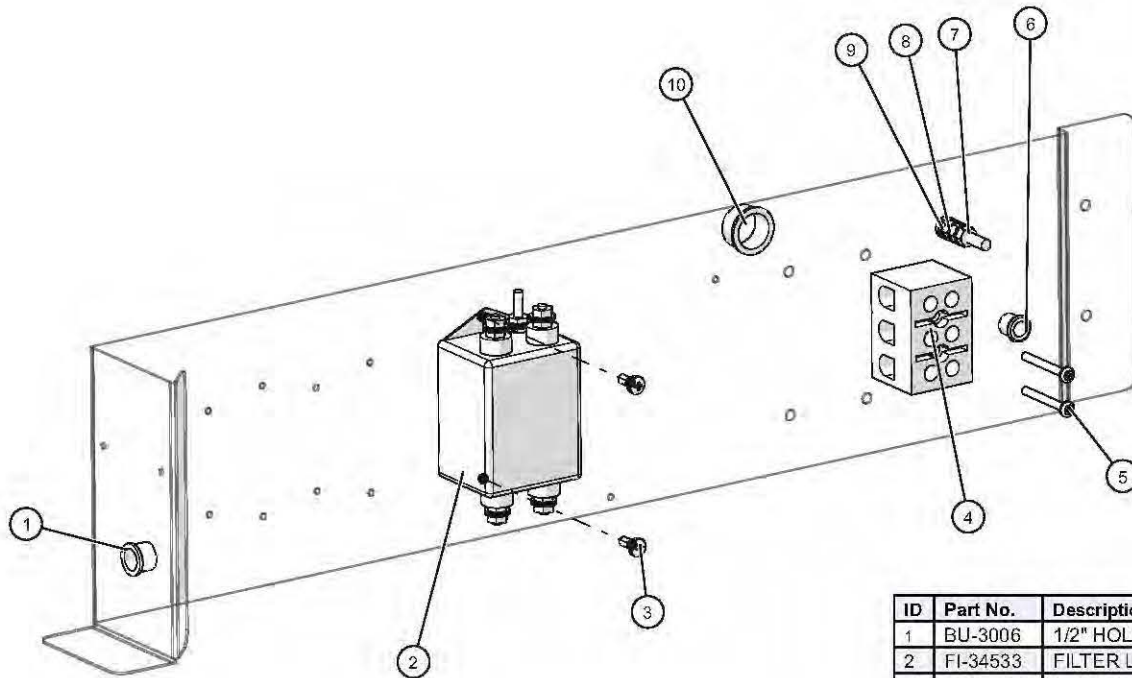
ID	Part No.	Description	Qty
1	BU-3006	1/2" HOLE BUSHING	1
2	FI-33225	FILTER, LINE, 115/250V, 50/60HZ	1
3	SC-22271	SCREW, M4x0.7X6MM PAN	2
4	BK-3019	T-BLOCK	1
5	WS-2467	WASHER, INT. LOCK	1
6	SC-38128	SCREW, PAN PH, METRIC, M5	1
7	NU-36234	NUT, M5, KEPS	3
8	BU-3419	3/8" BLACK HOLE BUSHING	1
9	SC-2365	SCREW, 6-32X1-1/4, NC PHILLIPS	2
10	5012384	WIRE SET, MAIN, 208-240V (not shown)	1
11	5012385	WIRE SET, SECONDARY, 230V (not shown)	1
12	5012386	767-SK, 1000-SK/II SMKR WIRESET (not shown)	1

## Electrical Chassis Assembly, 1000-SK/I, 208-240V



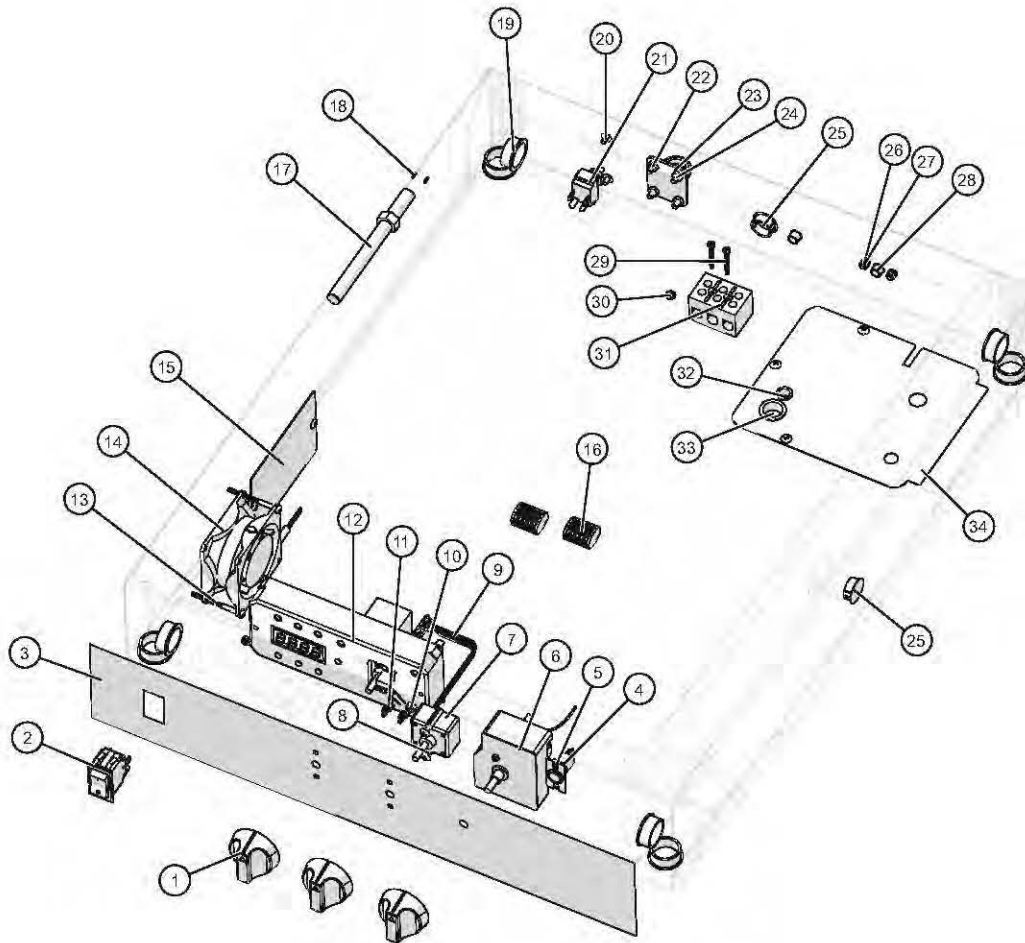
ID	Part No.	Description	Qty
1	BU-3006	1/2" HOLE BUSHING	1
2	BK-3019	T-BLOCK	1
3	SC-2365	SCREW,6-32X1-1/4,NC PHILLIPS	2
4	WS-2467	WASHER, INT. LOCK	1
5	NU-36234	NUT, M5, KEPS	3
6	SC-38128	SCREW,PAN PH, METRIC, M5	1
7	BU-3419	3/8" BLACK HOLE BUSHING	1
8	5012254	1000-TH/I, 1767-SK 208-240V ELAN MAIN WIRE SET (NOT SHOWN)	1
9	5012256	1000-TH/I, 1767-SK 208/240V SECONDARY WIRE SET (NOT SHOWN)	1
10	5012259	ELAN CONTROLLED C&H SMOKER WIRE SET (NOT SHOWN)	1

## Electrical Chassis Assembly, 1000-SK/I, 230V



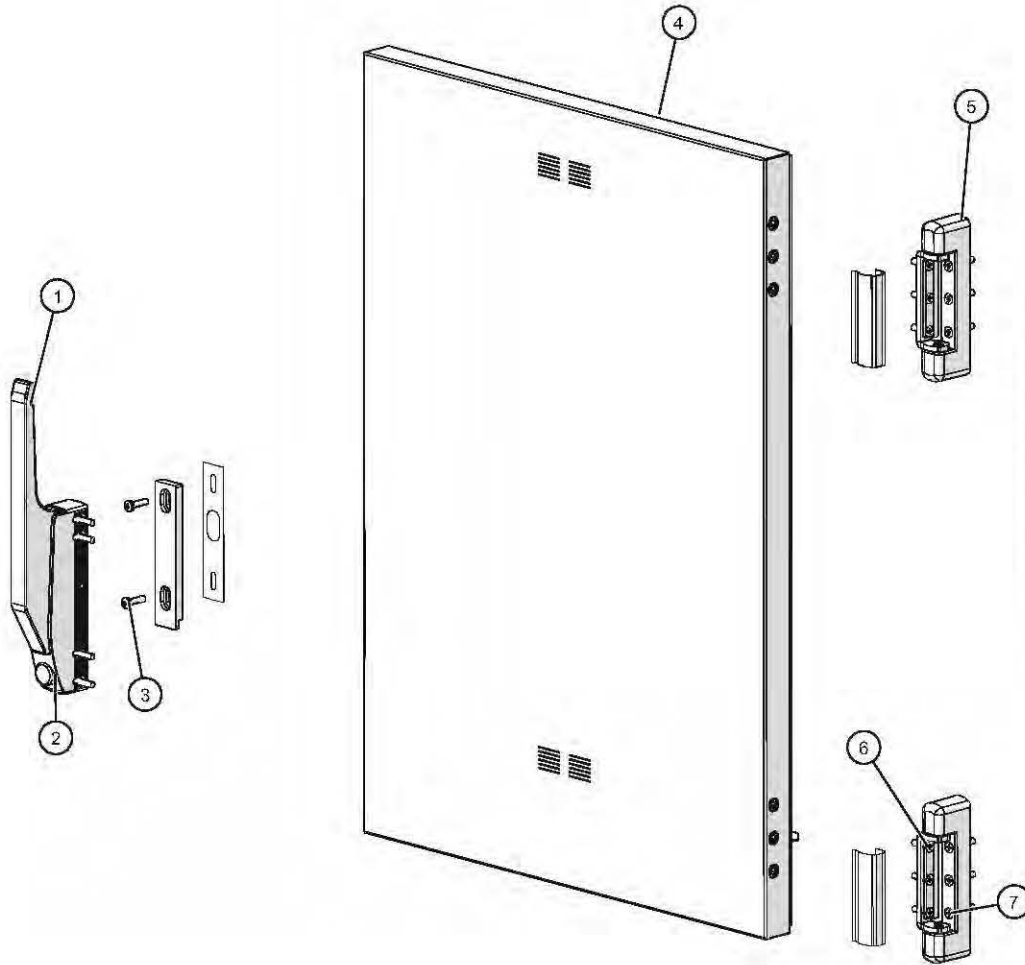
ID	Part No.	Description	Qty
1	BU-3006	1/2" HOLE BUSHING	1
2	FI-34533	FILTER LINE 115/250V 30AMP 50/60HZ	1
3	SC-22273	SCREW,M4x0.7X10MM PAN	2
4	BK-3019	T-BLOCK	1
5	SC-2365	SCREW,6-32X1-1/4,NC PHILLIPS	2
6	BU-3419	3/8" BLACK HOLE BUSHING	1
7	NU-36234	NUT, M5, KEPS	3
8	SC-38128	SCREW,PAN PH, METRIC, M5	1
9	WS-2467	WASHER, INT. LOCK	1
10	BU-3008	3/4" WHITE SNAP BUSHING	1
11	5012254	1000-TH/I, 1767-SK 208-240V ELAN MAIN WIRE SET (not shown)	1
12	5012259	ELAN CONTROLLED C&H SMOKER WIRE SET (not shown)	1
13	5012260	1000-TH/I, 1767-SK 230V WIRE SET (not shown)	1

# Chassis Bonnet Assembly, 1000-SK/II, 208-240V



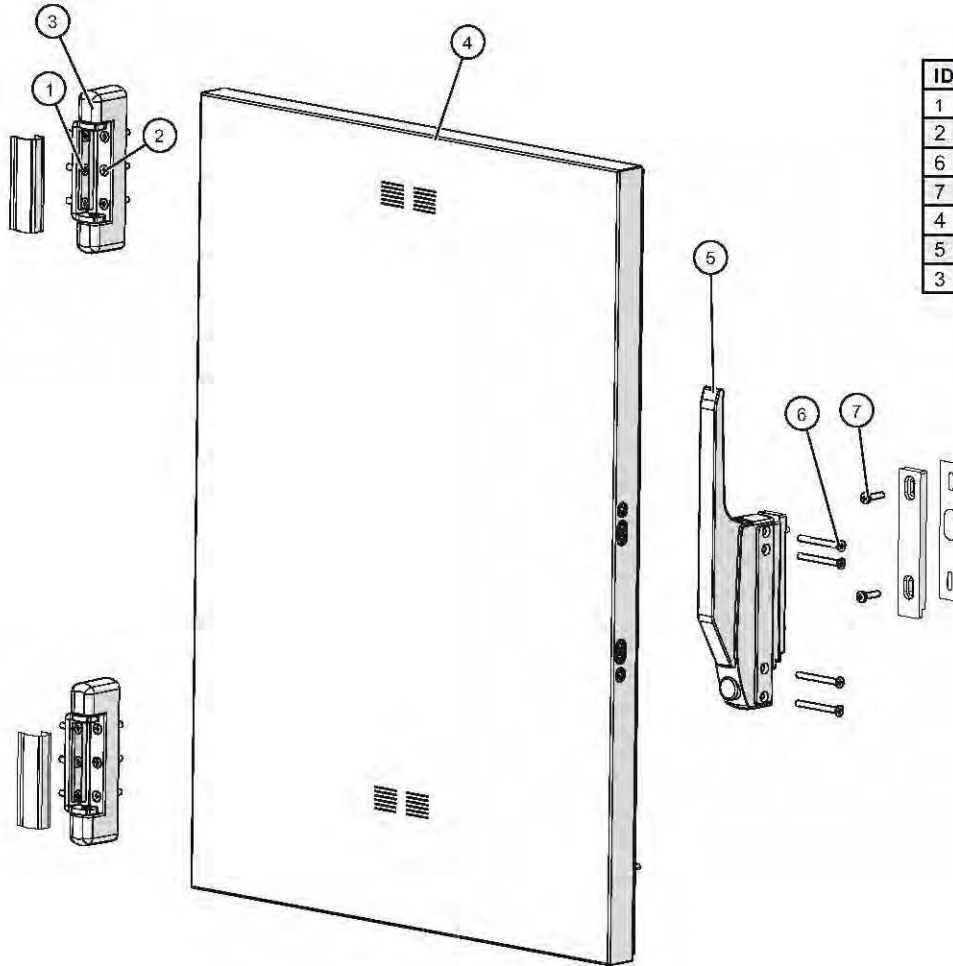
ID	Part No.	Description	Qty
1	KN-26568	KNOB, UNIBODY, T-STAT CONTROL	3
2	SW-34769	SWITCH,ROCKER,125-277V,20A	1
3	PE-29383	OVERLAY, 1000-SK/II, ELAN CONTROL	1
4	LI-3951	WHITE PILOT LIGHT 250V	1
5	NU-2296	NUT, HEX #8-32	2
6	TR-34539	TIMER, 1HR, 208/240V, 50/60HZ,	1
7	TT-34910	THERMOSTAT,COOK POD,	1
8	SC-2425	8-32 x 1/2" PHIL SCREW	2
9	CB-34945	CABLE, WIRE HARNESS, ELAN C&H,	1
10	WS-22300	WASHER, SPLIT LOCK	2
11	CR-34559	CONNECTOR, DBL MALE / SINGLE FEMALE	2
12	CC-34488	CONTROL, ELAN	1
13	SC-23154	8-32 X 2 SLOT PAN HEAD 18-8 S.S.	2
14	FA-34524	FAN,3" BOX,230V,THERMAL PROTEC	1
15	1011565	FAN TUNNEL COVER, TH/II SERIES	1
16	CR-34646	CONNECTOR-5 CONDUCTOR	2
17	EL-35022	ELEMENT, SMOKE HEATER, 208V 250W	1
18	CR-34827	CONNECTOR, FERRULE #18	2
19	BU-3378	1 1/8" SNAP BUSHING	8
20	SC-2459	8-32 x 1/4" PHIL SCREW	7
21	SW-3528	20A,250V, DPST TOGGLE SWITCH	1
22	NU-2215	NUT,10-32 UNF HEX MS,18-8 SST	4
23	BT-26884	BRACKET, TETHER	1
24	SC-23670	SCREW,10-32X1/2,NF PHIL,FLAT,	4
25	PG-3589	PLUG,HOLE,13/16,HEYCO #2693	2
26	NU-22286	M4-0.7 HEX NUT 18-8	4
27	SC-22271	SCREWS,M4-0.7X6MM PHIL	2
28	PG-25574	3/8" HOLE PLUG	2
29	SC-2365	6-32 X 1 1/4" ROUND HD	2
30	WS-2467	WASHER, INT. LOCK	1
31	BK-3019	T-BLOCK	1
32	BU-3006	1/2" HOLE BUSHING	1
33	BU-3007	7/8" SNAP BUSHING, BLACK	1
34	1009990	ACCESS COVER, 1000/1200-TH/II	1

## Door Package "A," RH Slab, 1000-THII



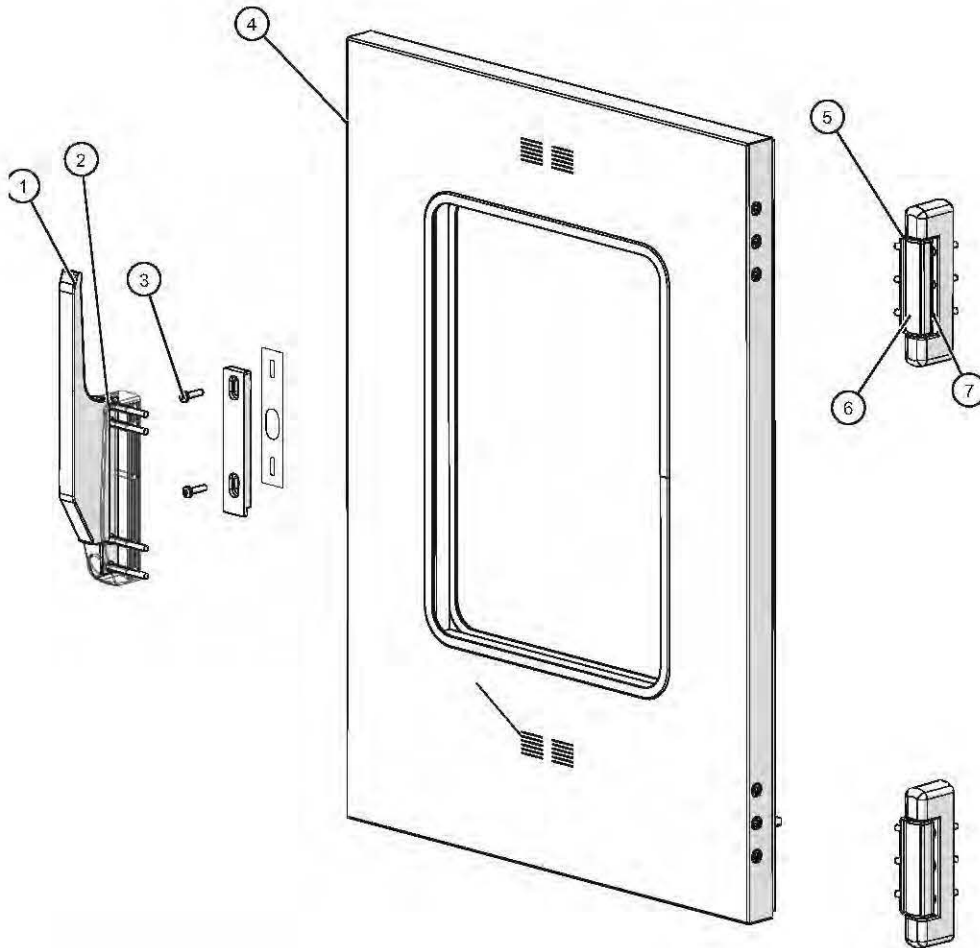
ID	Part No.	Description	Qty
1	HD-27080	HANDLE, OFFSET MAG LATCH	1
2	SC-35259	SCREW, M5x0.8X50MM FLAT	4
3	SC-22779	SCREW, M5x0.8X20MM PAN	2
4	5010081	1000-TH, RH SLAB DOOR ASSY	1
5	HG-22338	HINGE, 1-3/8 OFFSET, PAIR, CHROME	1
6	SC-23868	SCREW, M5x0.8X20MM FLAT	4
7	SC-22853	SCREW, M5x0.8X30MM FLAT	6

## Door Package "B," LH Slab, 1000-THII



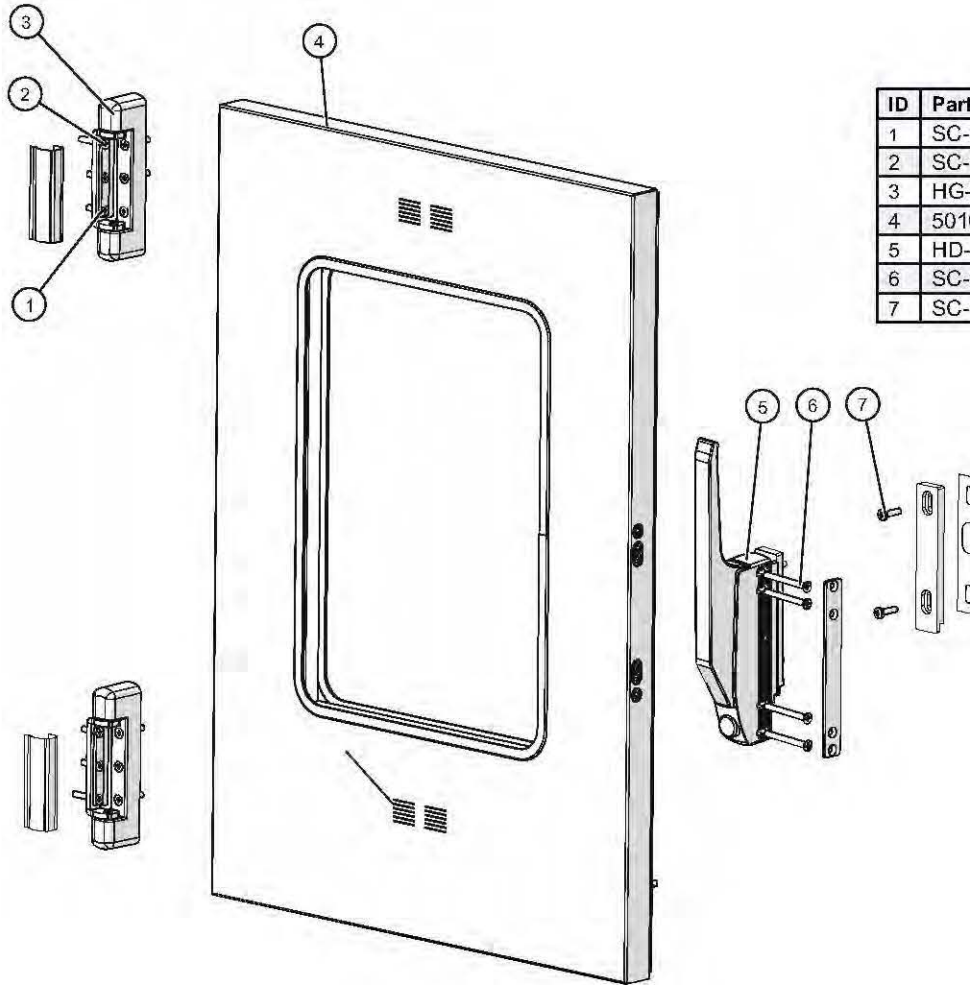
ID	Part No.	Description	Qty
1	SC-23868	SCREW, M5x0.8X20MM FLAT	4
2	SC-22853	SCREW, M5x0.8X30MM FLAT	6
6	SC-35259	SCREW, M5x0.8X50MM FLAT	4
7	SC-22779	SCREW, M5x0.8X20MM PAN	2
4	5010071	DOOR, ASSY, SLAB, LH	1
5	HD-27080	HANDLE, OFFSET MAG LATCH	1
3	HG-22338	HINGE, 1-3/8 OFFSET, PAIR, CHROME	1

## Door Package "C," RH Window, 1000-THII



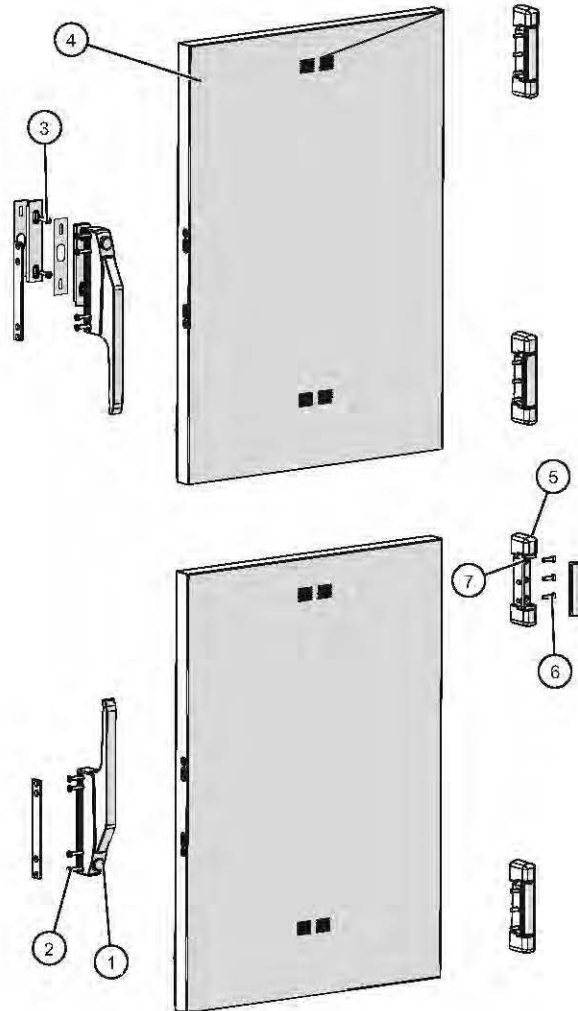
ID	Part No.	Description	Qty
1	HD-27080	HANDLE, OFFSET MAG LATCH	1
2	SC-35259	SCREW, M5x0.8X50MM FLAT	4
3	SC-22779	SCREW, M5x0.8X20MM PAN	2
4	5010082	1000-TH, RH WINDOWED DOOR ASSY	1
5	HG-22338	HINGE, 1-3/8 OFFSET, PAIR, CHROME	1
6	SC-23868	SCREW, M5x0.8X20MM FLAT	6
7	SC-22853	SCREW, M5x0.8X30MM FLAT	6

## Door Package "D," LH Window, 1000-TH-II



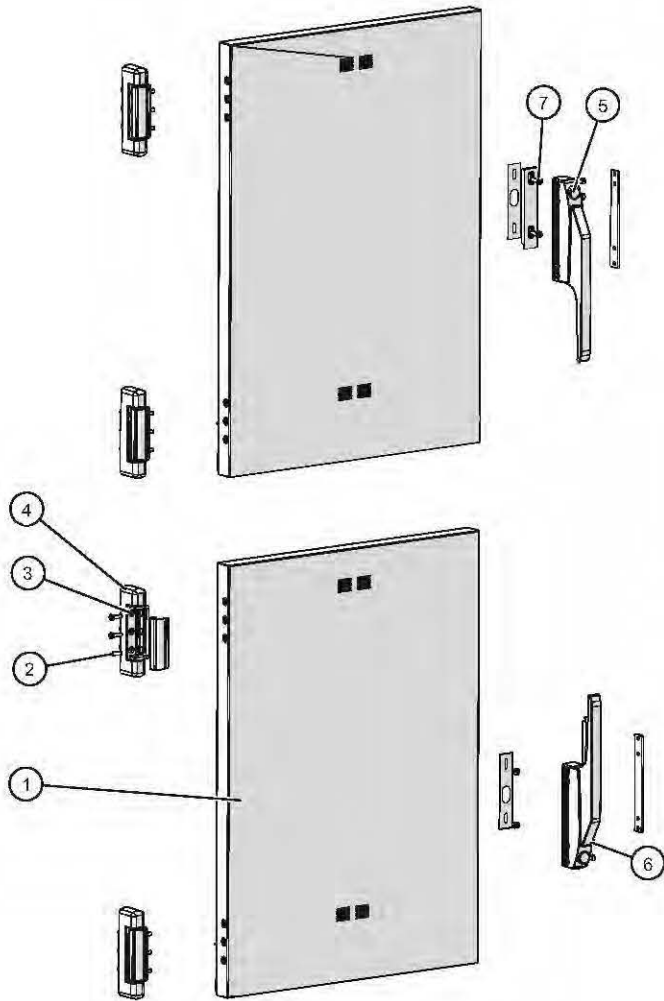
ID	Part No.	Description	Qty
1	SC-23868	SCREW, M5x0.8X20MM FLAT	6
2	SC-22853	SCREW, M5x0.8X30MM FLAT	6
3	HG-22338	HINGE, 1-3/8 OFFSET, PAIR, CHROME	1
4	5010076	DOOR, ASSY, WINDOW, LH	1
5	HD-27080	HANDLE, OFFSET MAG LATCH	1
6	SC-35259	SCREW, M5x0.8X50MM FLAT	4
7	SC-22779	SCREW, M5x0.8X20MM PAN	2

## Door Package "A," RH Slab, 1000-SK/II



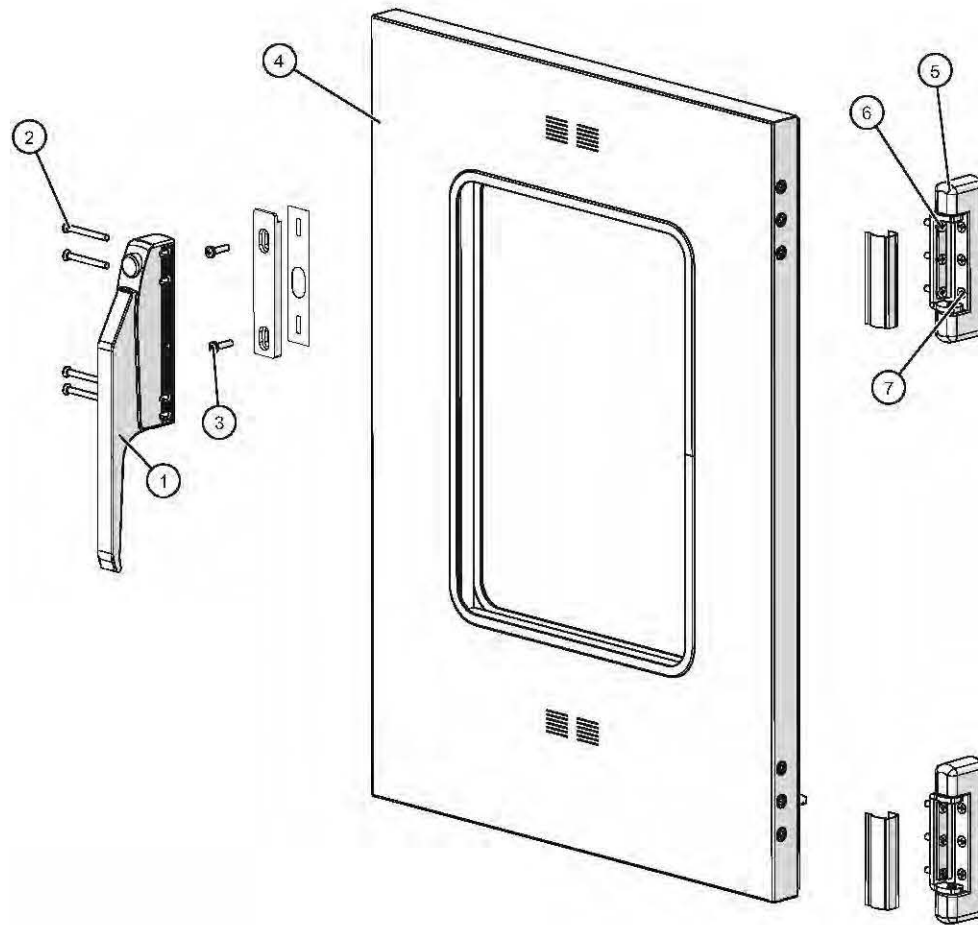
ID	Part No.	Description	Qty
1	HD-27080	HANDLE, OFFSET MAG LATCH	2
2	SC-35259	SCREW, M5x0.8X50MM FLAT	8
3	SC-22779	SCREW, M5x0.8X20MM PAN	4
4	5012859	DOOR, ASSY, SLAB, RH S/S	2
5	HG-22338	DOOR HINGE, 1-3/8, OFFSET PAIR	2
6	SC-23868	SCREW, M5x0.8X20MM FLAT	12
7	SC-22853	SCREW, M5x0.8X30MM FLAT	12

## Door Package "B," LH Slab, 1000-SK/II



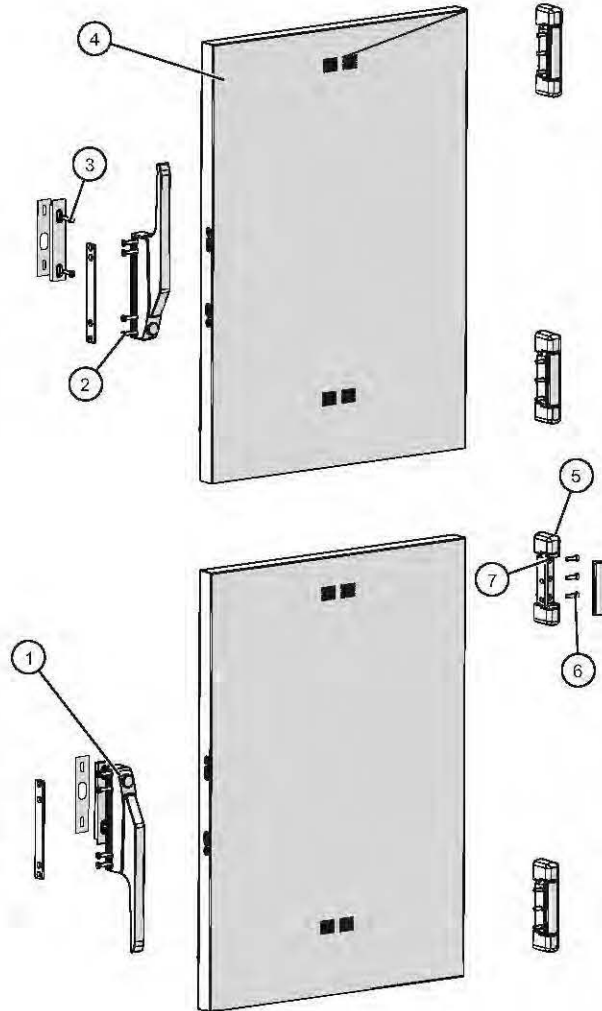
ID	Part No.	Description	Qty
1	5012861	DOOR, ASSY, SLAB, LH S/S	2
2	SC-23868	SCREW, M5x0.8X20MM FLAT	3
3	SC-22853	SCREW, M5x0.8X30MM FLAT	12
4	HG-22338	DOOR HINGE, 1-3/8, OFFSET PAIR	2
5	HD-27080	HANDLE, OFFSET MAG LATCH	2
6	SC-35259	SCREW, M5x0.8X50MM FLAT	8
7	SC-22779	SCREW, M5x0.8X20MM PAN	4

## Door Package "C," RH Window, 1000-SK-II



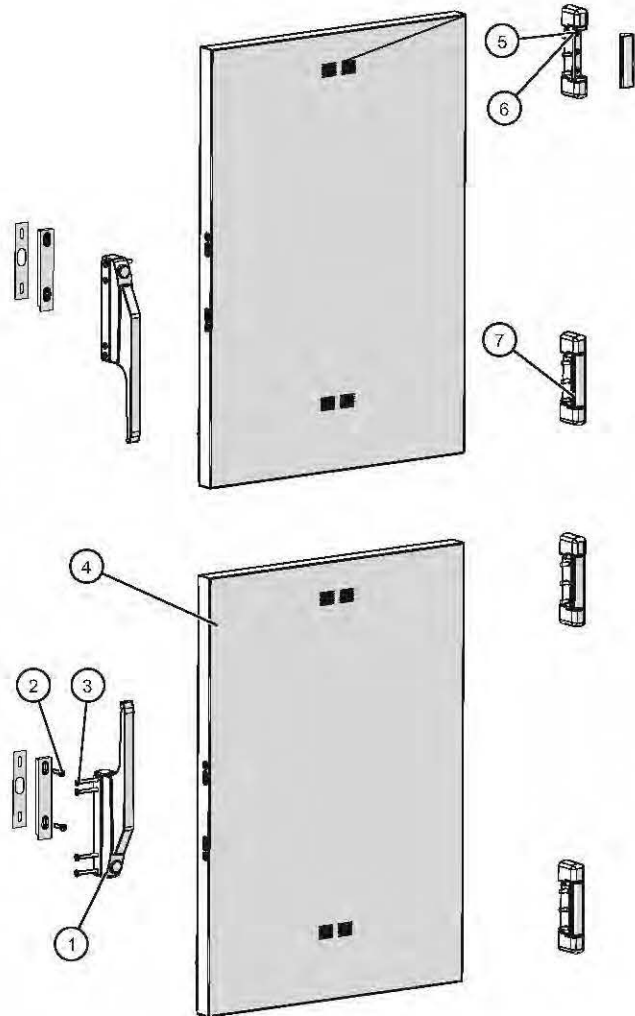
ID	Part No.	Description	Qty
1	HD-27080	HANDLE, OFFSET MAG LATCH	1
2	SC-35259	SCREW, M5x0.8X50MM FLAT	4
3	SC-22779	SCREW, M5x0.8X20MM PAN	2
4	5012863	DOOR, ASSY, WINDOW, RH S/S	1
5	HG-22338	DOOR HINGE, 1-3/8, OFFSET PAIR	1
6	SC-23868	SCREW, M5x0.8X20MM FLAT	5
7	SC-22853	SCREW, M5x0.8X30MM FLAT	6

## Door Package "E," RH Slab, Burgundy,1000-SK-II



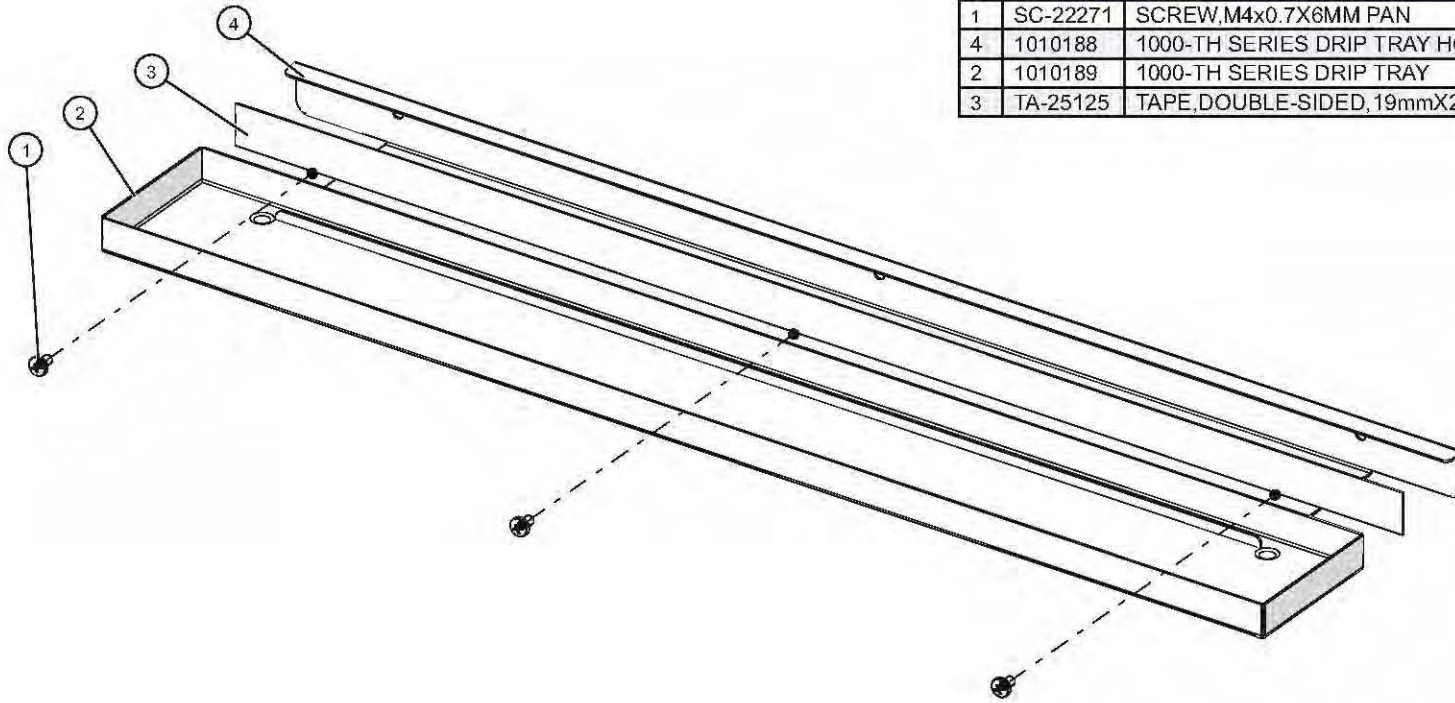
ID	Part No.	Description	Qty
1	HD-27080	HANDLE,OFFSET MAG LATCH	2
2	SC-35259	SCREW,M5x0.8X50MM FLAT	8
3	SC-22779	SCREW,M5x0.8X20MM PAN	4
4	5012560	DOOR, ASSY, SLAB, RH BURG	2
5	HG-22338	DOOR HINGE, 1-3/8, OFFSET PAIR	2
6	SC-23868	SCREW,M5x0.8X20MM FLAT	12
7	SC-22853	SCREW,M5x0.8X30MM FLAT	12

## Door Package "I," RH Slab, Custom Color, 1000-SK-II



ID	Part No.	Description	Qty
1	HD-27080	HANDLE, OFFSET MAG LATCH	2
2	SC-22779	SCREW, M5x0.8X20MM PAN	4
3	SC-35259	SCREW, M5x0.8X50MM FLAT	8
4	5013234	DOOR, ASSY, SLAB, RH	2
5	SC-22853	SCREW, M5x0.8X30MM FLAT	12
6	SC-23868	SCREW, M5x0.8X20MM FLAT	12
7	HG-22338	DOOR HINGE, 1-38, OFFSET PAIR	2

## Drip Tray Kit, 1000-TH Series



ID	Part No.	Description	Qty
1	SC-22271	SCREW,M4x0.7X6MM PAN	3
4	1010188	1000-TH SERIES DRIP TRAY HOLDER	1
2	1010189	1000-TH SERIES DRIP TRAY	1
3	TA-25125	TAPE,DOUBLE-SIDED,19mmX22.13"	1





# ALTO-SHAAM.

Menomonee Falls, WI U.S.A.

Phone 800 -558-8744 | +1-262-251-3800 | [alto-shaam.com](http://alto-shaam.com)

## ASIA

Shanghai, China  
Phone +86-21-6173-0336

## AUSTRALIA

Brisbane, Queensland  
Phone 800-558-8744

## CANADA

Concord, Ontario Canada  
Toll Free Phone 866-577-4484  
Phone +1-905-660-6781

## FRANCE

Aix en Provence, France  
Phone +33[0]4-88-78-21-73

## GMBH

Bochum, Germany  
Phone +49 [0]234 298798-0

## ITALY

Padua, Italy  
Phone +39 3476073504

## INDIA

Pune, India  
Phone +91 9657516999

## MEXICO

Phone +52 1 477-717-3108

## MIDDLE EAST & AFRICA

Dubai, UAE  
Phone +971-4-321-9712

## CENTRAL & SOUTH AMERICA

Miami, FL USA  
Phone +1 954-655-5727