



Cook & Hold Ovens Smoker Ovens

Classic Control

1000-TH/I	1000-SK/I
1000-TH/II	1000-SK/II



Manufacturer's Information

Copyright

© Copyright 01/2024 by Alto-Shaam, Inc.
 All rights reserved.
 This manual or any portion thereof may not be reproduced or used in any manner whatsoever without the express written permission of Alto-Shaam, Inc

Trademarks

All trademarks referenced in this documentation are the property of their respective owners.

Manufacturer

Alto-Shaam, Inc.
 P.O. Box 450
 W164 N9221 Water Street
 Menomonee Falls, WI 53052

Models Covered

1000-TH/I, 1000-TH/II 1000-SK/I, 1000-SK/II	US (UL Certified) Models International (CE Certified) Models
--	---

Serial Number

The unit serial number is required for ordering the correct service parts. Record the unit serial number in the space provided below.

Serial Number

Parts Ordering Information

Original manufacturer's replacement parts may be ordered directly from the Alto-Shaam network of Authorized Service Agents and Parts Distributors. Follow this link for a map to a local partner: <https://www.alto-shaam.com/en/how-to-buy>. If you are an Authorized Service Agent or Parts Distributor, please submit your purchase order to parts@alto-shaam.com.

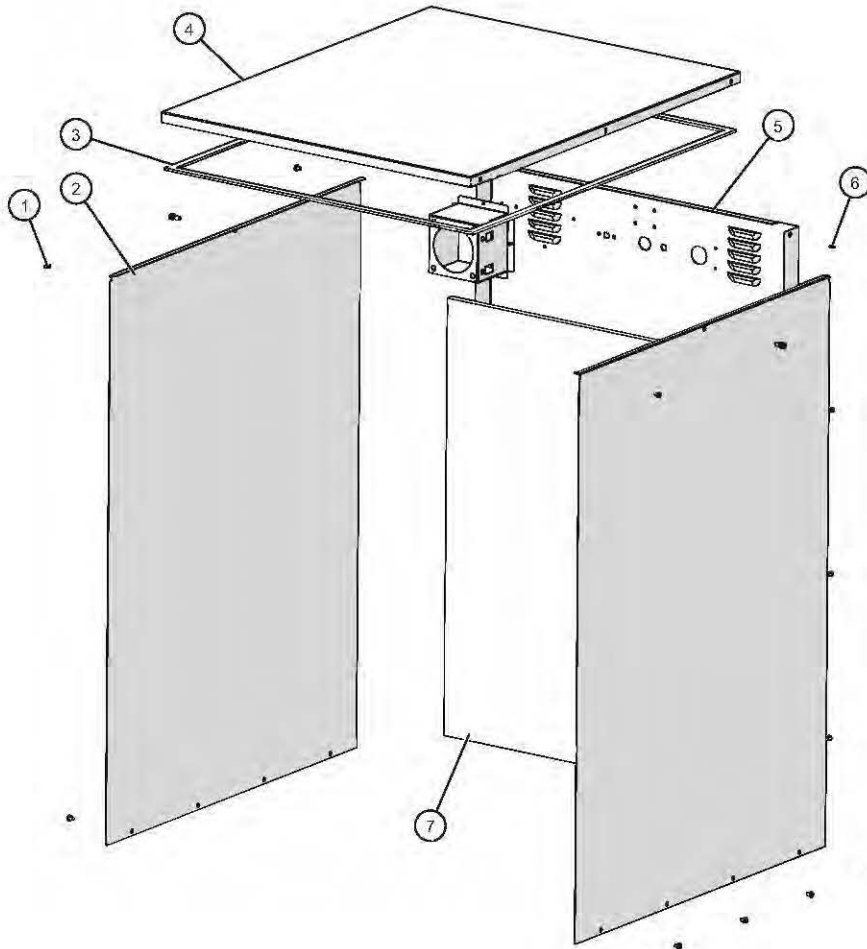
Non-OEM parts may be substituted; however, these parts must be of equal quality and specifications as those provided by Alto-Shaam.

Table of Contents

- Manufacturer’s Information2
- Table of Contents3
- Exterior Panel Package “A”, Reach-In, 1000-TH4
- Exterior Panel Package “A”, Reach-In, 1000-TH/I5
- Exterior Panel Package “A”, Reach-In, S/S, 1000-TH/I6
- Exterior Panel Package “B”, Reach-In, Burgundy, 1000-TH/I7
- Exterior Panel Package “C”, Reach-In, Custom Color, 1000-TH/I8
- Exterior Panel Package “A”, 1000-SK9
- Exterior Panel Package “A”, 1000-SK/I, S/S 10
- Cavity Package “A”, 1000-TH/I, Reach-In, 208-240V 11
- Cavity Package “B”, 1000-TH/I, Pass-Thru, 208-240V 12
- Cavity Package “A”, 1000-TH/II, Reach-In, 120V Bonnetless 13
- Cavity Package “B”, 1000-TH/II, Reach-In, 208-240V Bonnetless14
- Cavity Package “D”, 1000-TH/II, Passthru, 208-240V Bonnetless15
- Cavity Package “A”, 1000-SK/I, Reach-In, 208-240V 16
- Cavity Package “A”, 1000-SK/II, Reach-In, 208-240V 17
- Cavity Package “A”, 1000-SK/II and -SK, Reach-In, 208-240V 18
- Control Package “A,” 1000-TH/I, 208-240V 19
- Control Package “B,” 1000-TH/I, 230V 20
- Control Package “C,” 1000-TH/I, 208-240V 21
- Control Package “D,” 1000-TH/I, 230V 22
- Control Package “E,” 1000-TH/I, 208-240V 23
- Control Package “A,” 1000-TH/II, 120V 24
- Control Package “B,” 1000-TH/II, 208-240V 25
- Control Package “C,” 1000-TH/II, 230V 26
- Control Package “D,” 1000-TH/II, 120V 27
- Control Package “E,” 1000-TH/II, 208-240V 28
- Control Package “F,” 1000-TH/II, 208-240V 29
- Control Package “F,” 1000-TH/II, 230V 30
- Control Package “I,” 1000-TH/II, 208-240V 31
- Control Package “A,” 1000-SK/I, 208-240V 32
- Control Package “B,” 1000-SK/I, 230V 33
- Control Package “C,” 1000-SK/I, 208-240V 34
- Control Package “D,” 1000-SK/I, 230V 35
- Control Package “A,” 1000-SK/II, 208-240V 36

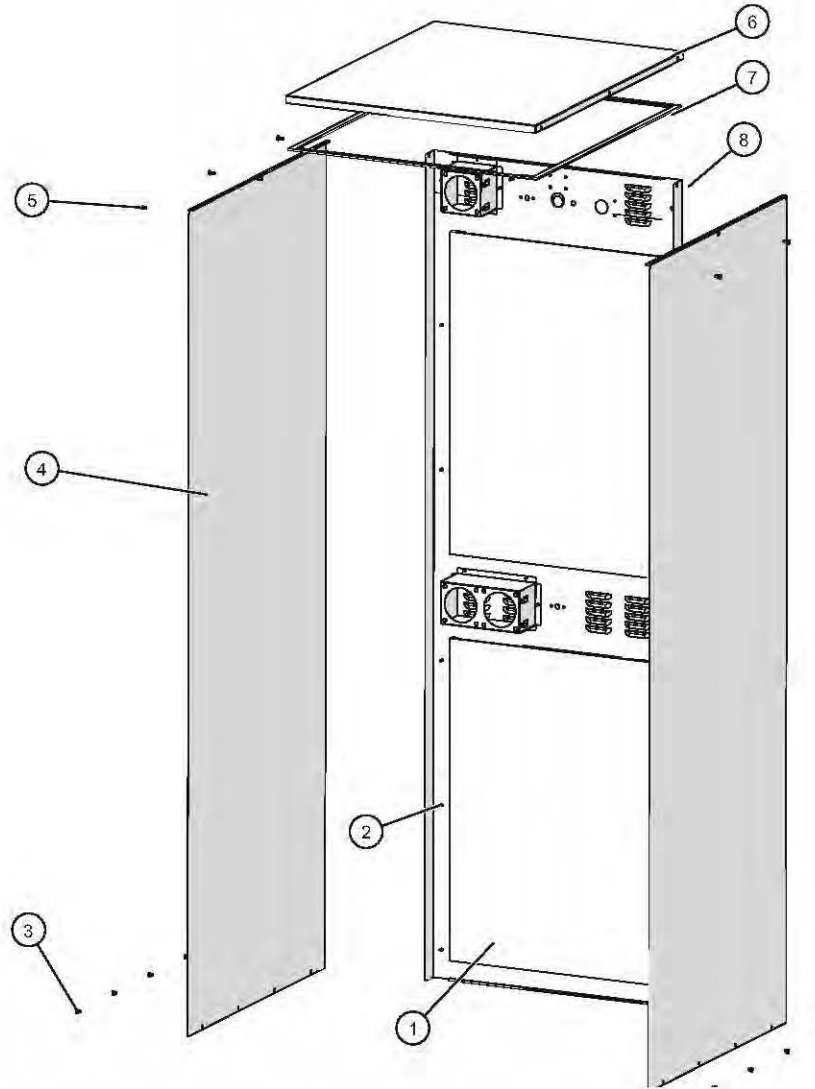
- Control Package “B,” 1000-SK/II, 230V 37
- Mid-Bonnet Assembly, 1000-TH/I 38
- Mid-Bonnet Assembly, 1000-TH/I 230V 39
- Mid-Bonnet Assembly, 1000-SK/I 208-240V 40
- Mid-Bonnet Assembly, 1000-SK/I, 230V 41
- Bonnet Package “A,” 1000-SK/II 42
- Electrical Chassis Assembly, 1000-TH/I, 208-240V 43
- Electrical Chassis Assembly, 1000-TH/I, 230V 44
- Electrical Chassis Assembly, 1000-TH/II, 120V 45
- Electrical Chassis Assembly, 1000-TH/II, 208-240V 46
- Electrical Chassis Assembly, 1000-TH/II, 230V 47
- Electrical Chassis Assembly, 1000-SK, 208-240V 48
- Electrical Chassis Assembly, 1000-SK, 230V 49
- Electrical Chassis Assembly, 1000-SK/I, 208-240V 50
- Electrical Chassis Assembly, 1000-SK/I, 230V 51
- Chassis Bonnet Assembly, 1000-SK/II, 208-240V 52
- Door Package “A,” RH Slab, 1000-THII 53
- Door Package “B,” LH Slab, 1000-THII 54
- Door Package “C,” RH Window, 1000-THII 55
- Door Package “D,” LH Window, 1000-TH-II 56
- Door Package “A,” RH Slab, 1000-SK/II 57
- Door Package “B,” LH Slab, 1000-SK/II 58
- Door Package “C,” RH Window, 1000-SK-II 59
- Door Package “E,” RH Slab, Burgundy, 1000-SK-II 60
- Door Package “I,” RH Slab, Custom Color, 1000-SK-II 61
- Drip Tray Kit, 1000-TH Series 62

Exterior Panel Package "A", Reach-In, 1000-TH



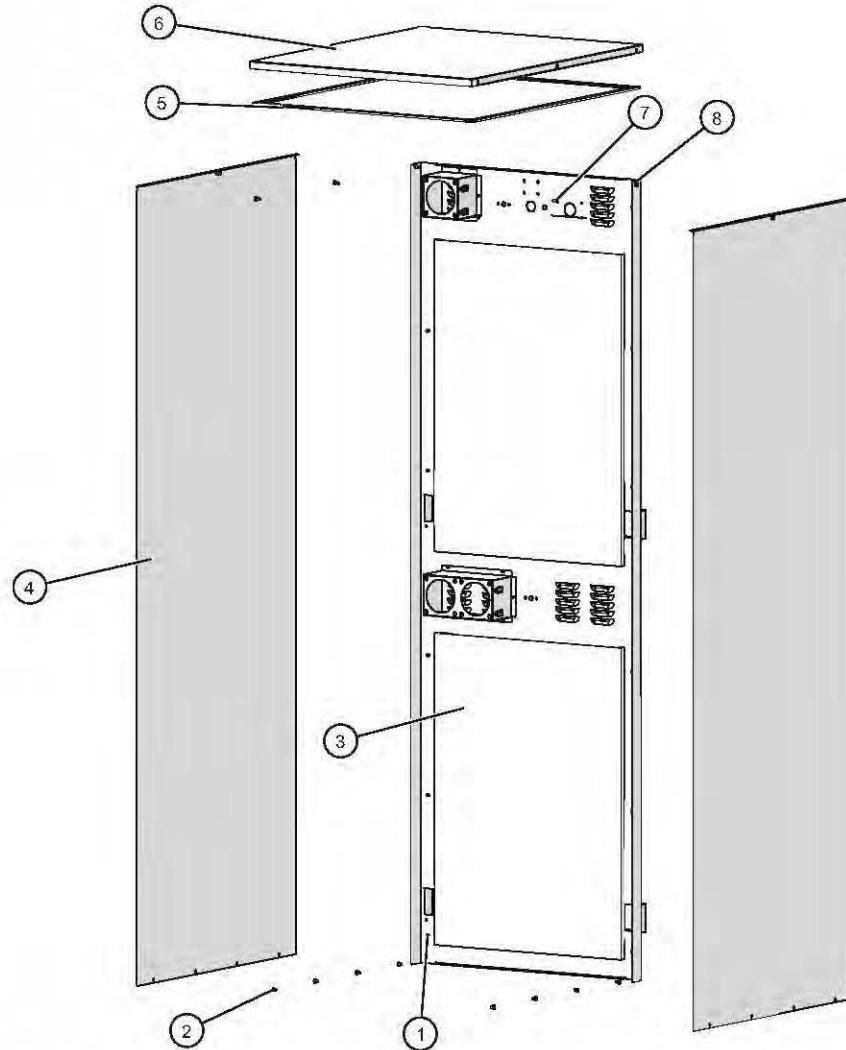
ID	Part No.	Description	Qty
1	SC-22271	SCREW,M4x0.7X6MM PAN	14
2	5015088	1000 SERIES SS	2
3	GS-23622	GASKET,ADHESIVE, 0.125X.0375	1
4	1011534	BONNET TOP COVER 1000	1
5	5014172	1000-TH REAR TRIM SPOT	1
6	RI-2100	RIVET,BLIND,#44,STNLS	8
7	IN-2003	1/2" BOARD INSULATION @ 18.75" x 26.75"	1

Exterior Panel Package "A", Reach-In, 1000-TH/I



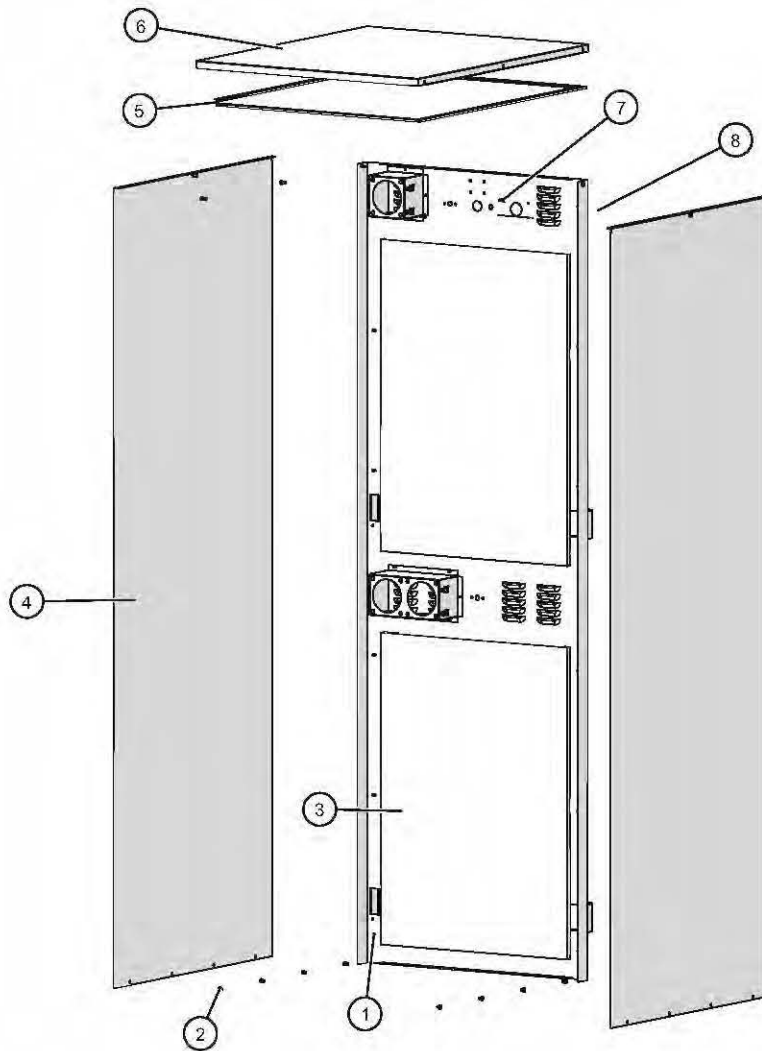
ID	Part No.	Description	Qty
1	IN-2003	INSULATION, 1/2" BD @ 18.75" x 26.75"	2
2	RI-2100	RIVET,BLIND,#44,STNLS	12
3	SC-22271	SCREW,M4x0.7X6MM PAN	8
4	5015105	1000/1200 SERIES S/S	2
5	SC-22273	SCREW,M4x0.7X10MM PAN	6
6	1011534	BONNET TOP COVER 1000	1
7	GS-23622	GASKET,ADHESIVE,.125X.375	1
8	5014268	1000/1200-TH REAR TRIM SPOT	1

Exterior Panel Package "A", Reach-In, S/S, 1000-TH/I



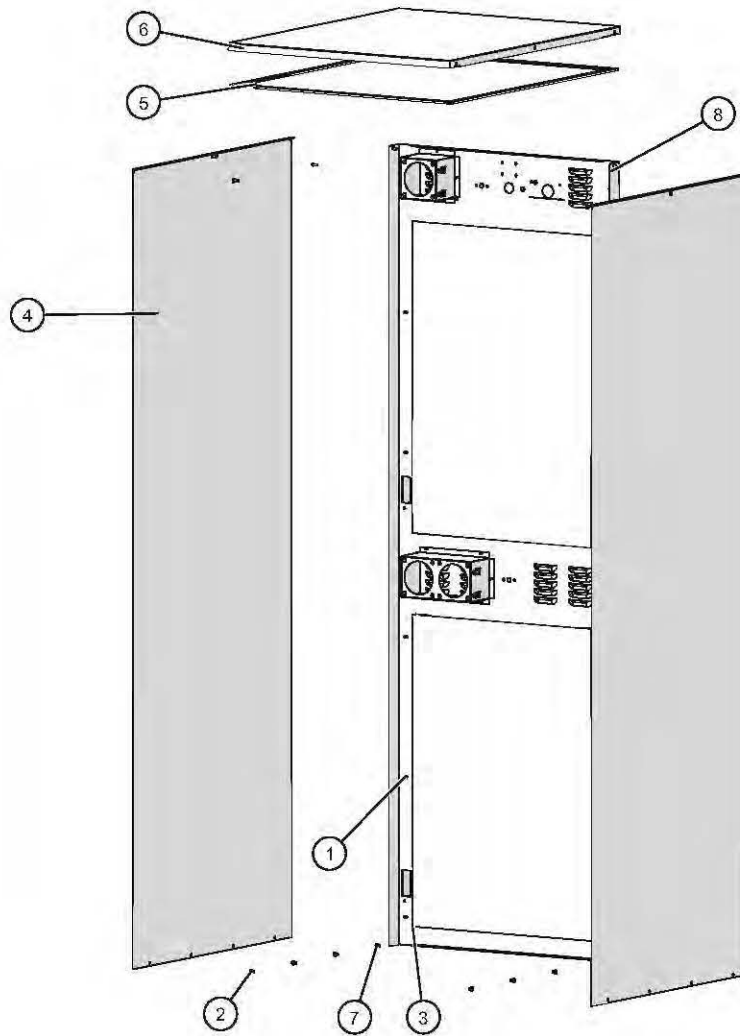
ID	Part No.	Description	Qty
1	RI-2100	RIVET,BLIND,#44,STNLS	12
2	SC-22271	SCREW,M4x0.7X6MM PAN	16
3	IN-2003	INSULATION 1/2" BD @ 18.75" x 26.75"	2
4	5015105	1000/1200 SERIES S/S	2
5	GS-23622	GASKET, ADHESIVE, .125X.375	1
6	1011534	BONNET TOP COVER 1000	1
7	SC-22273	SCREW,M4x0.7X10MM PAN	6
8	5014293	1000/1200-SK REAR TRIM SPOT	1

Exterior Panel Package "B", Reach-In, Burgundy, 1000-TH/I



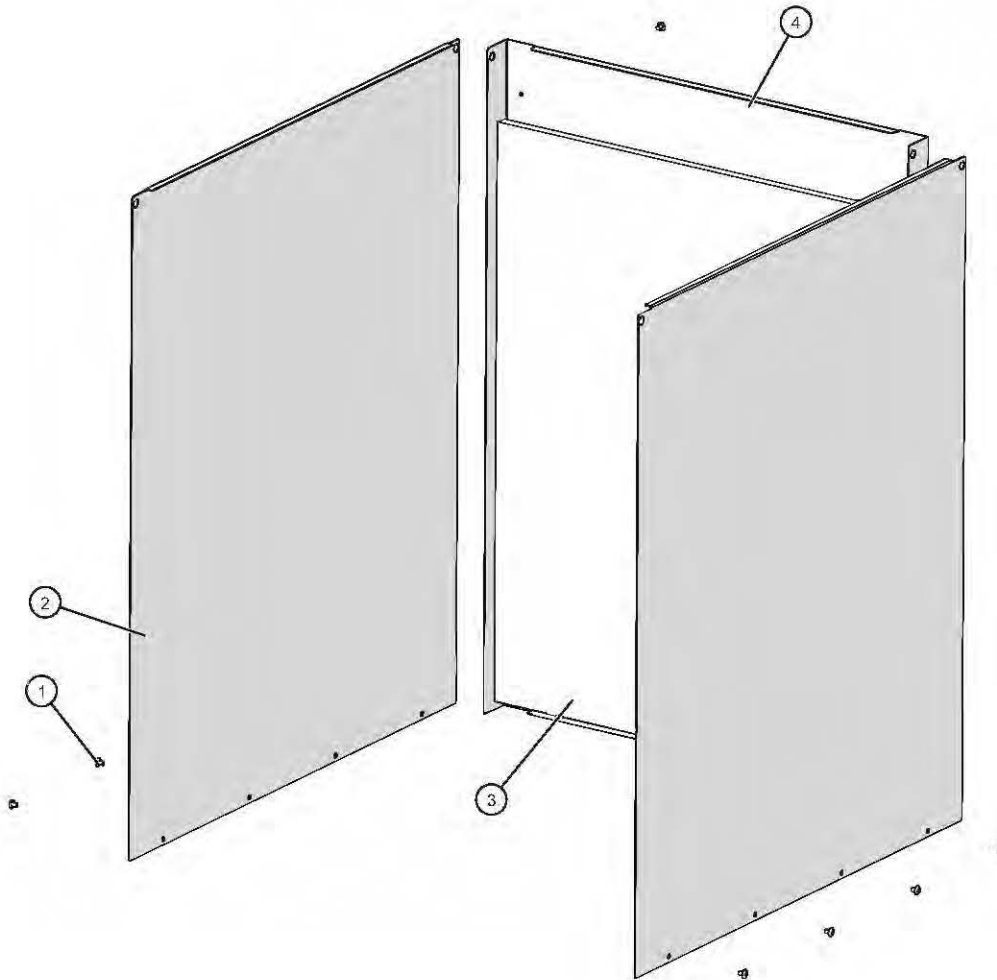
ID	Part No.	Description	Qty
1	RI-2100	RIVET,BLIND,#44,STNLS	12
2	SC-22271	SCREW,M4x0.7X6MM PAN	16
3	IN-2003	INSULATION 1/2" BD @ 18.75" x 26.75"	2
4	5015106	1000/1200 SERIES BURGUNDY SIDE	2
5	GS-23622	GASKET, ADHESIVE, .125X.375	1
6	1011534	BONNET TOP COVER 1000	1
7	SC-22273	SCREW,M4x0.7X10MM PAN	6
8	5014293	1000/1200-SK REAR TRIM SPOT	1

Exterior Panel Package "C", Reach-In, Custom Color, 1000-TH/I



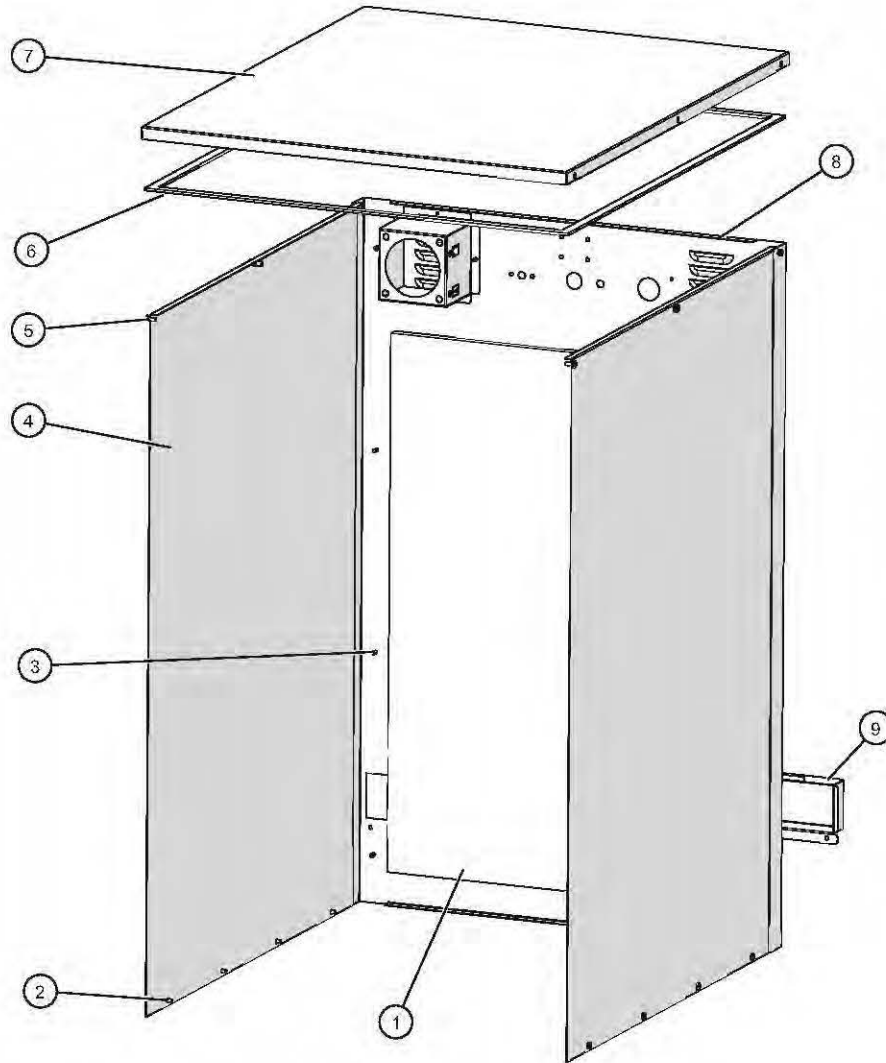
ID	Part No.	Description	Qty
1	RI-2100	RIVET,BLIND,#44,STNLS	12
2	SC-22271	SCREW,M4x0.7X6MM PAN	10
3	IN-2003	INSULATION 1/2" BD @ 18.75" x 26.75"	2
4	5015107	1000/1200 SERIES CUSTOM COLOR	2
5	GS-23622	GASKET, ADHESIVE, .125X.375	1
6	1011534	BONNET TOP COVER 1000	1
7	SC-22271	SCREW,M4x0.7X6MM PAN	6
8	5014293	1000/1200-SK REAR TRIM SPOT	1

Exterior Panel Package "A", 1000-SK



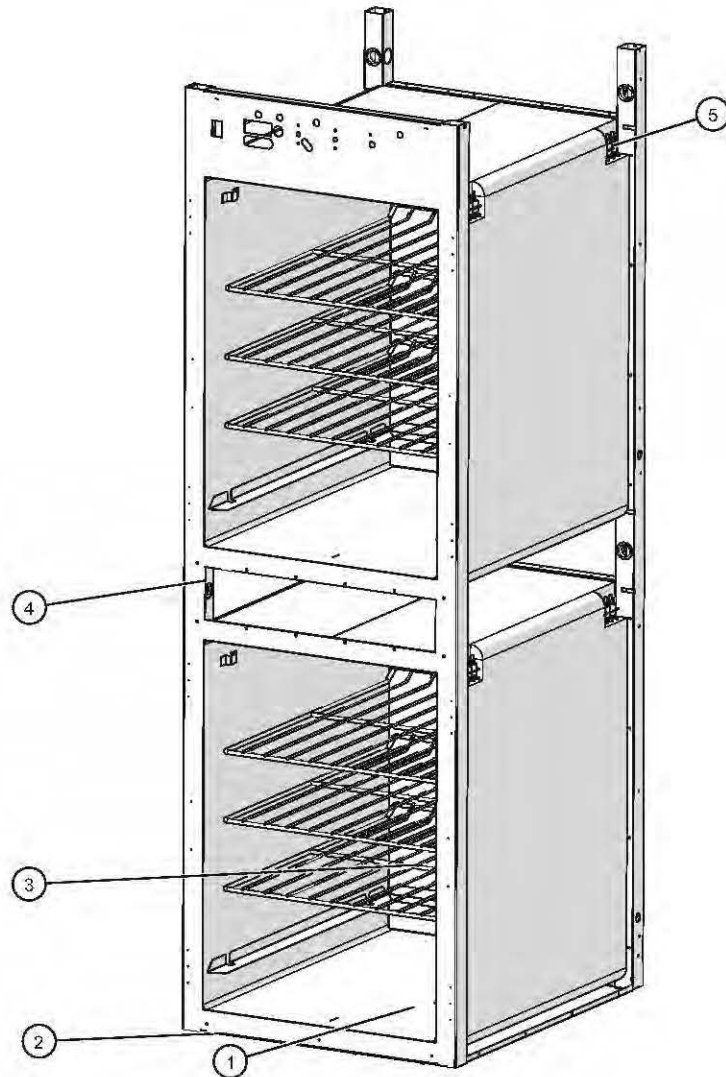
ID	Part No.	Description	Qty
1	SC-2459	8-32 x 1/4" PHIL SCREW	16
2	1010575	1000 SINGLE SERIES HD, SIDE PANEL	2
3	IN-2003	1/2" BOARD INSULATION @ 18.75" x 26.75"	1
4	1011878	1000-SK SERIES REAR TRIM	1

Exterior Panel Package "A", 1000-SK/I, S/S



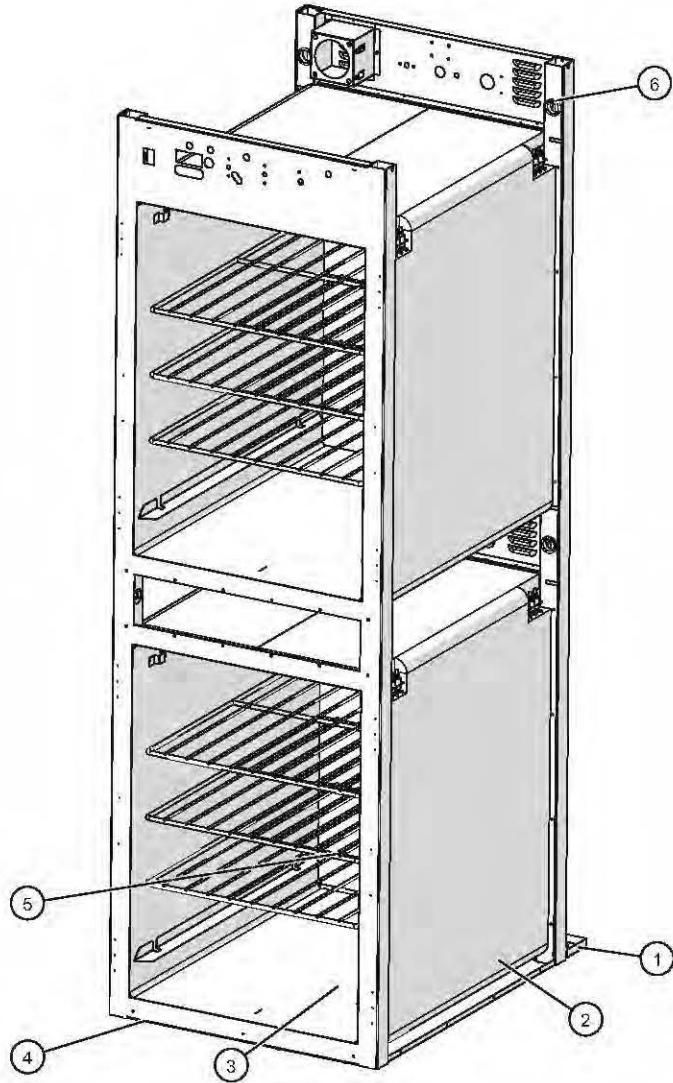
ID	Part No.	Description	Qty
1	IN-2003	INSULATION, FIBERGLASS, @ 18.75" x 26.75"	1
2	SC-22271	SCREW, M4x0.7X6MM PAN	12
3	RI-2100	RIVET, BLIND, #44, STNLS	8
4	5015088	1000 SERIES SIDE PANEL SS	2
5	SC-22273	SCREW, M4x0.7X10MM PAN	6
6	GS-23622	GASKET, ADHESIVE, .125X.375	1
7	1011534	BONNET TOP COVER 1000	1
8	5014204	1000-SK REAR TRIM SPOT	1
9	1011813	ELEMENT COVER, 1000-SK SERIES	1

Cavity Package "A", 1000-TH/I, Reach-In, 208-240V



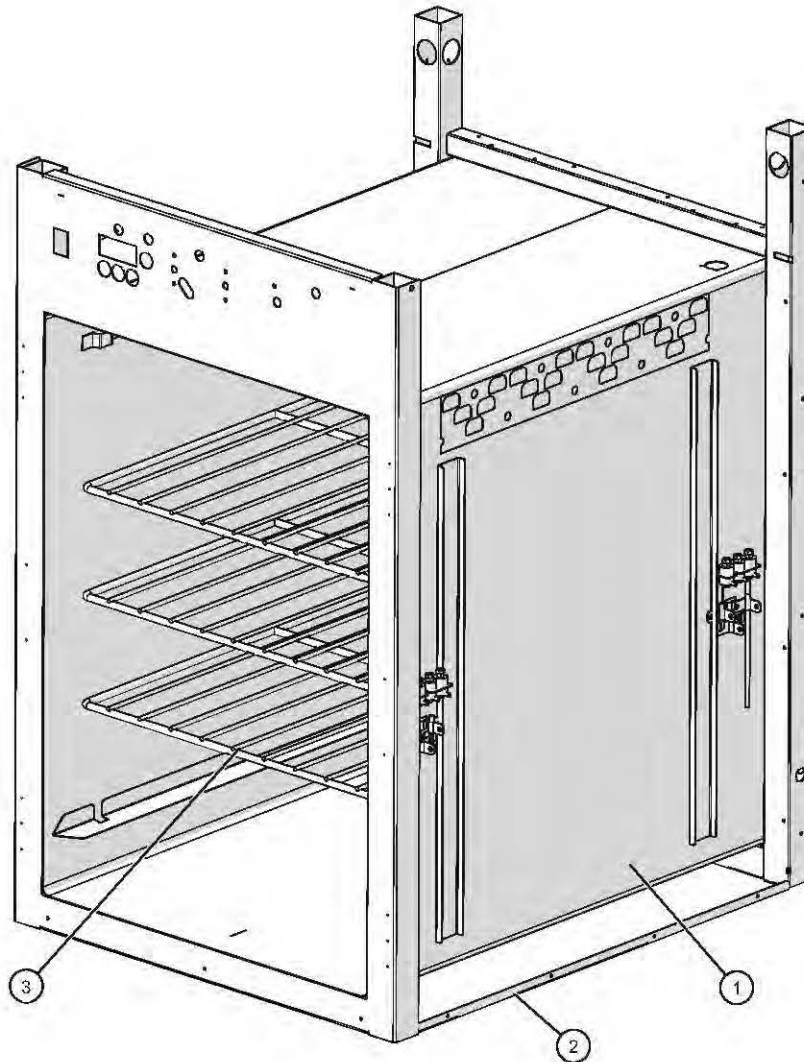
ID	Part No.	Description	Qty
1	1009941	BOTTOM PANEL, 1000-TH/I	1
2	SC-22271	SCREW, M4x0.7X6MM PAN	8
3	SH-2325	SHELF, S/S, 1000-TH	6
4	BU-3378	1 1/8" SNAP BUSHING	8
5	5013875	CABLE INSULATION, 1000-TH/I	1

Cavity Package "B", 1000-TH/I, Pass-Thru, 208-240V



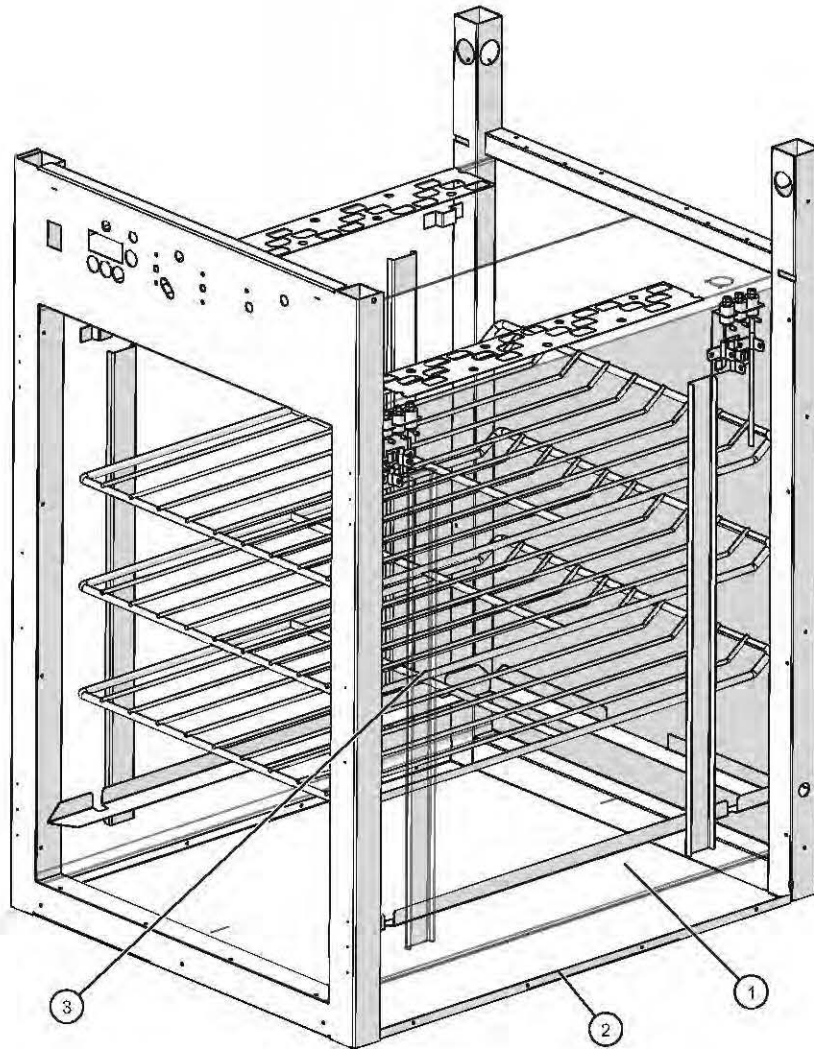
ID	Part No.	Description	Qty
1	5009716	1000-TH DRIP TRAY KIT	1
2	5014303	1000-TH/I P/T CABLE INS ASSB	1
3	1009941	BOTTOM PANEL, 1000-TH/I	1
4	SC-22271	SCREW, M4x0.7X6MM PAN	8
5	SH-2346	SHELF, S/S, 1000-PT	6
6	BU-3378	1 1/8" SNAP BUSHING	8

Cavity Package "A", 1000-TH/II, Reach-In, 120V Bonnetless



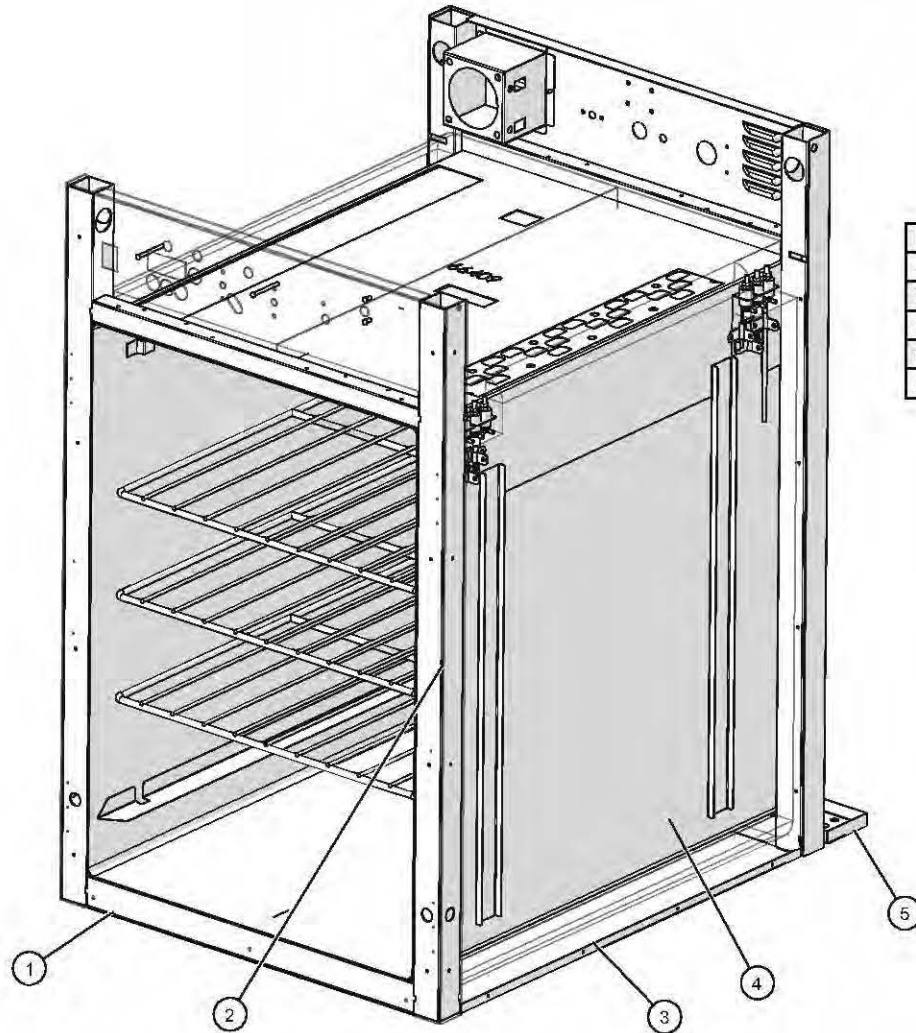
ID	Part No.	Description	Qty
1	5014156	1000-TH/II 120V CABLE INS ASSB	1
2	1009941	BOTTOM PANEL, 1000-TH/I	1
3	SH-2325	SHELF, S/S, 1000-TH	3

Cavity Package "B", 1000-TH/II, Reach-In, 208-240V Bonnetless



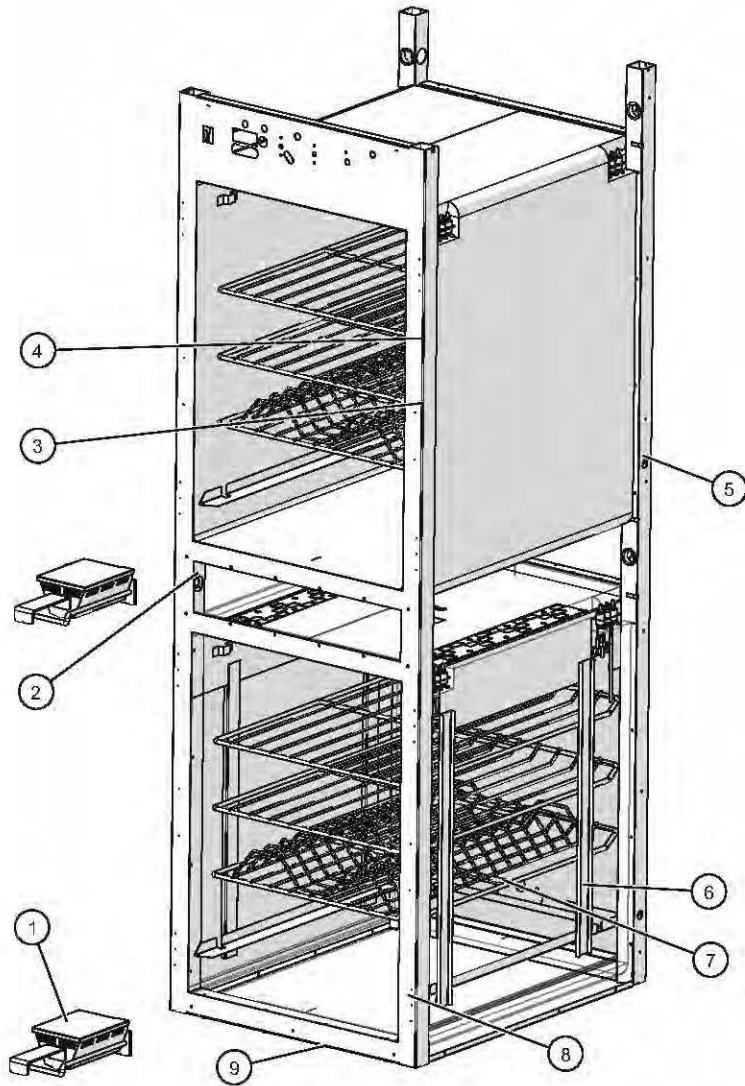
ID	Part No.	Description	Qty
1	5014159	1000-TH/II 208/240,230V CABLE INS ASSB	1
2	1009941	BOTTOM PANEL,1000-TH/I	1
3	SH-2325	SHELF, S/S, 1000-TH	3

Cavity Package "D", 1000-TH/II, Pass-Thru, 208-240V Bonnetless



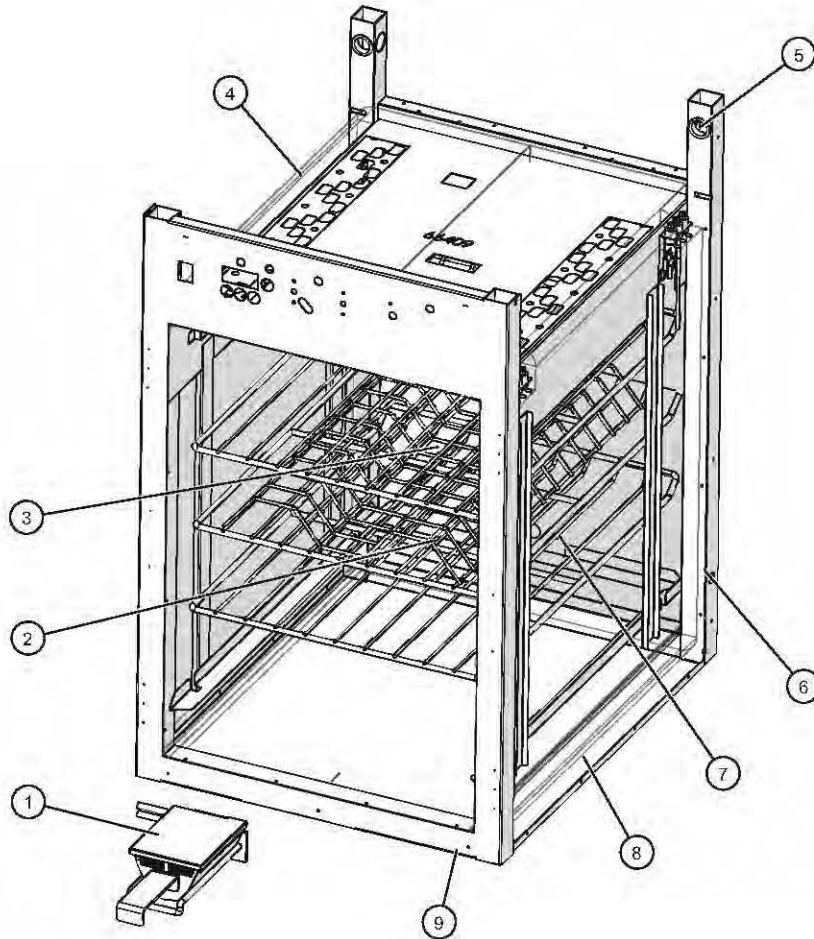
ID	Part No.	Description	Qty
1	SC-22271	SCREW, M4x0.7X6MM PAN	8
2	SH-2346	SHELF, S/S, 1000-PT, QC-20	3
3	1009941	BOTTOM PANEL, 1000-TH/I	1
4	5014168	CABLE INSUL ASSY, 1000-TH2 PT 208-240-230V	1
5	5009716	1000-TH DRIP TRAY KIT	1

Cavity Package "A", 1000-SK/I, Reach-In, 208-240V



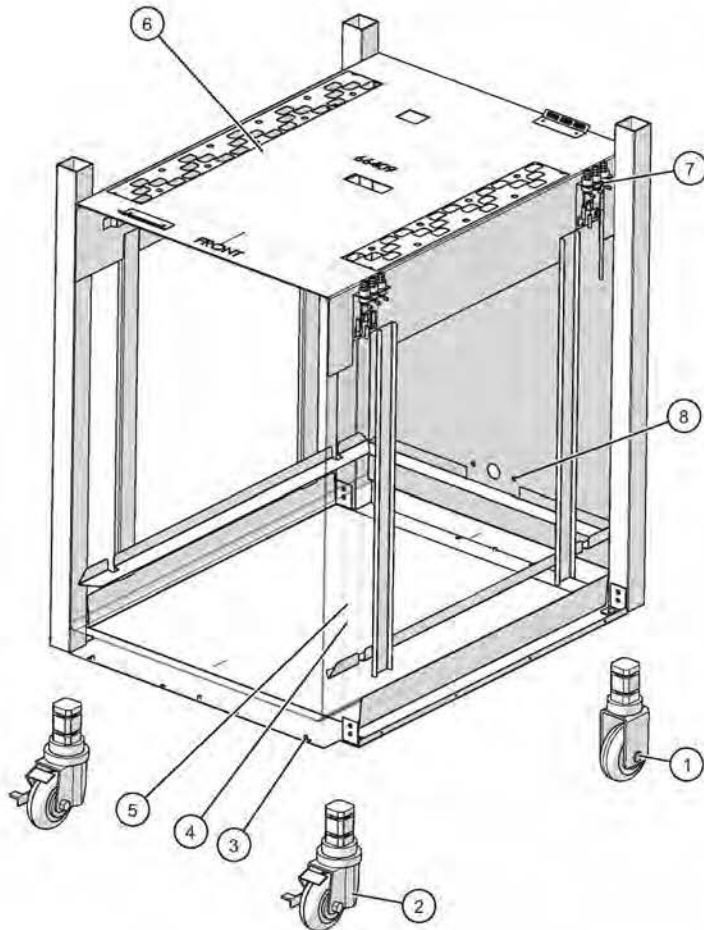
ID	Part No.	Description	Qty
1	5032688	SMOKER ELEMENT PKG, 208/240V	2
2	BU-3378	1 1/8" SNAP BUSHING	8
3	SH-29474	SHELF, RIB RACK, S/S, 1000-SK	2
4	SH-2325	SHELF, S/S, 1000-TH	4
5	BU-3611	5/8" SNAP BUSHING BLACK	4
6	5014315	CABLE INSULATION,1000-SK/I	1
7	NU-2437	NUT, 1/4-20 HEX S/S	4
8	1009941	BOTTOM PANEL,1000-TH/I	1
9	SC-22271	SCREW,M4x0.7X6MM PAN	8

Cavity Package "A", 1000-SK/II, Reach-In, 208-240V



ID	Part No.	Description	Qty
1	5032688	SMOKER ELEMENT PKG, 208/240V	1
2	SH-2325	SHELF, S/S, 1000-TH	2
3	SH-29474	SHELF, RIB RACK, S/S, 1000-SK	1
4	5014198	1000-SK/II 208/240, 230V CABLE INS ASSB	1
5	BU-3378	1 1/8" SNAP BUSHING	2
6	BU-3611	5/8" SNAP BUSHING BLACK	2
7	NU-2437	NUT, 1/4-20 HEX S/S	2
8	1009941	BOTTOM PANEL, 1000-TH/II	1
9	SC-22271	SCREW, M4x0.7X6MM PAN	8

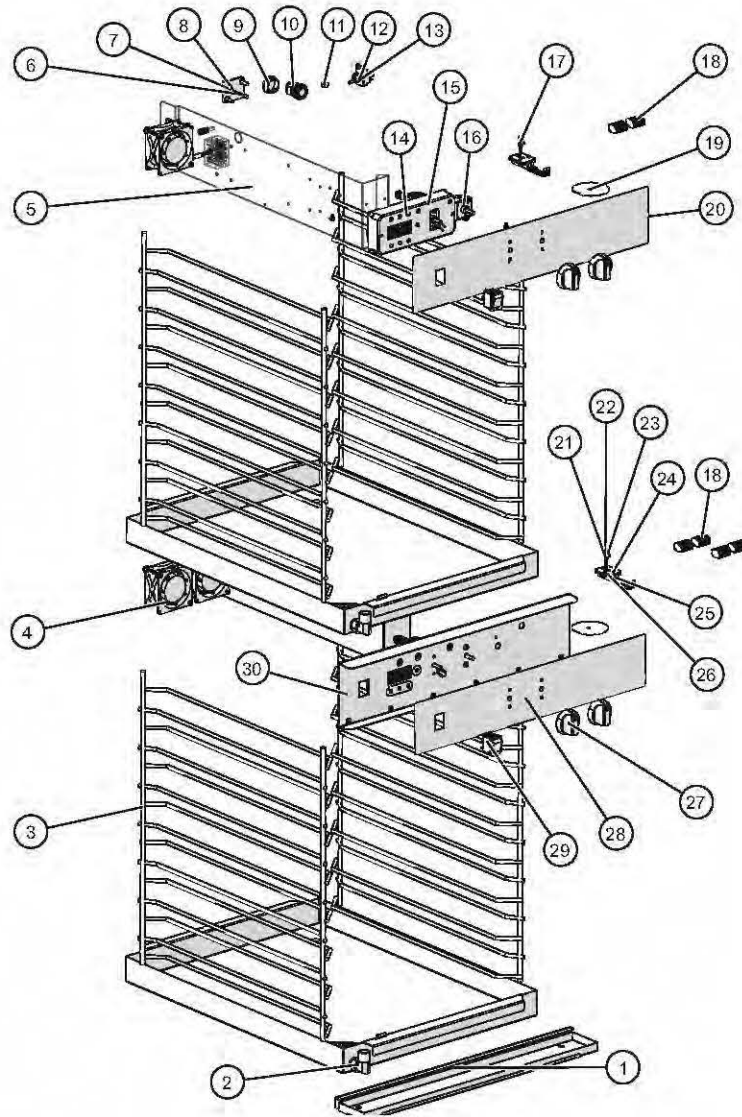
Cavity Package "A", 1000-SK/II and -SK, Reach-In, 208-240V



ID	Part No.	Description	Qty
1	CS-25674	CASTER, 3 1/2" RIGID	2
2	CS-25675	CASTER, 3 1/2" SWIVEL W/ BRAKE	2
3	SC-2459	8-32 x 1/4" PHIL SCREW TRUSS HD	6
4	1009941	BOTTOM PANEL, 1000-TH/I	1
5	5009205	INSULATION BOTTOM SPOT, 1000-TH	1
6	5012753	CABLE INSULATION, 1000-SK/II, III 208-240V	1
7	NU-22289	NUT, M5-0.8 HEX NUT 18-8 DIN # 934	24
8	NU-2437	NUT, 1/4-20 HEX S/S	2
9	4881	CABLE HEATING KIT (see below)	1

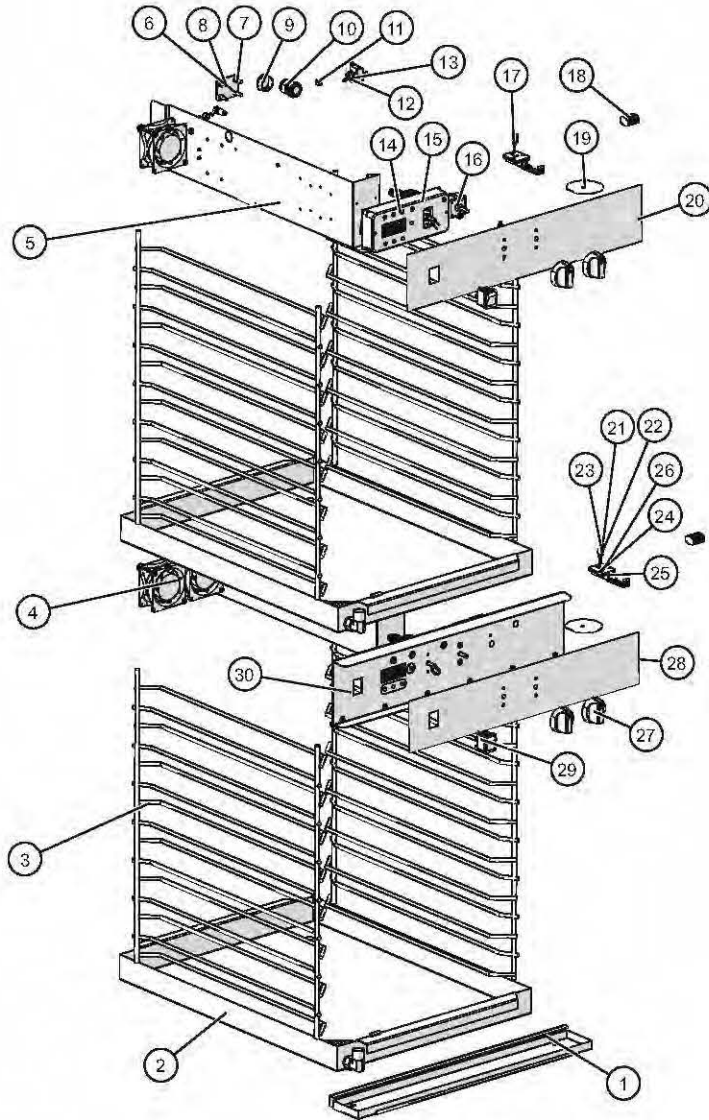
Cable heating kit > (one kit required per cavity)		#4879 500, 750, 1000, 767 - 120V 500, 750 - 120V, 208-240V	#4881 1000, 767, 1767 - 208-240V ALL 230V
Item	Description	Qty	Qty
CB-3045	CABLE HEATING ELEMENT	112 FT.	210 FT.
CR-3226	RING CONNECTOR	6	12
IN-3488	INSULATION CORNER	1 FT.	1 FT.
BU-3105	SHOULDER BUSHING	6	12
BU-3106	CUP BUSHING	6	12
ST-2439	STUD	6	12
NU-2215	HEX NUT	12	24
SL-3063	INSULATING SLEEVE	6	12
TA-3540	ELECTRICAL TAPE	1 ROLL	1 ROLL

Control Package "A," 1000-TH/I, 208-240V



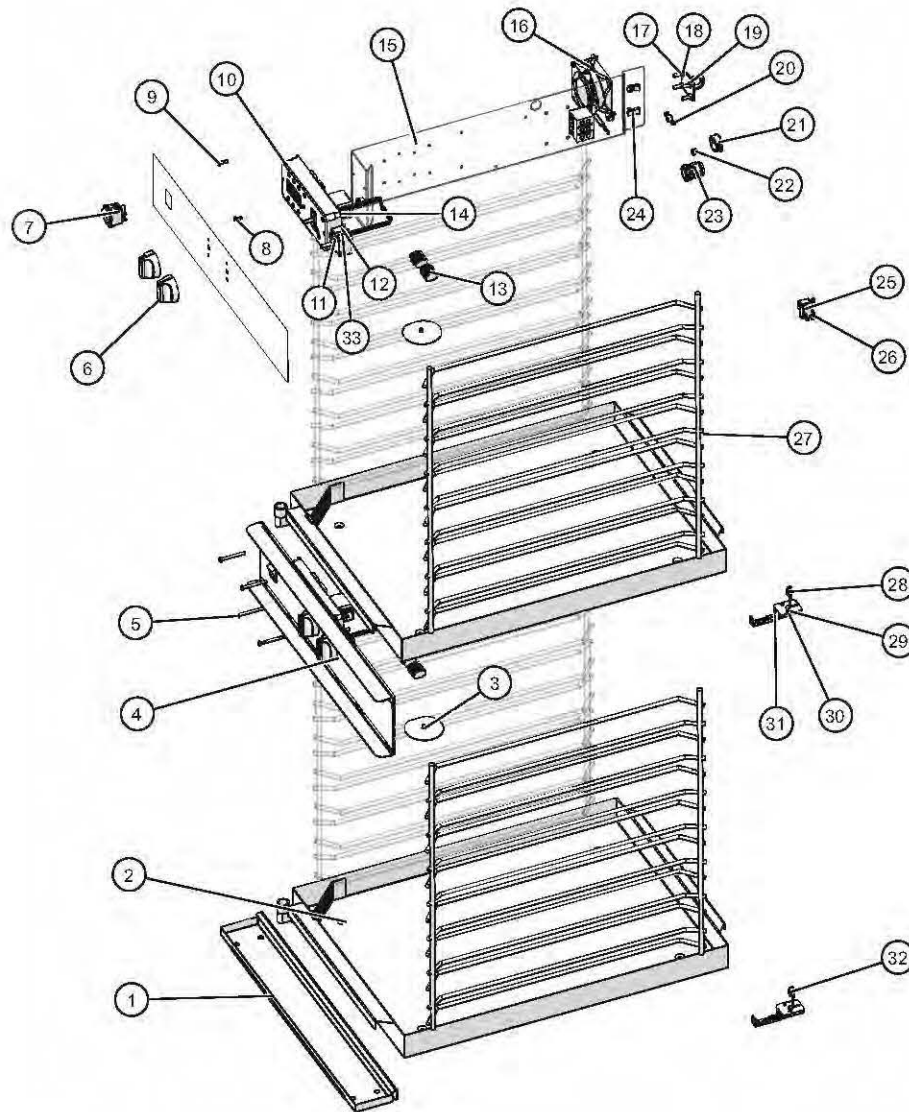
ID	Part No.	Description	Qty
1	5009716	1000-TH DRIP TRAY KIT	1
2	5005616	DRIP PAN WELD ASSBY	2
3	SR-2266	S/S SIDE RACK	4
4	FA-34524	FAN,3" BOX,230V,THERMAL PROTEC	3
5	5014307	1000-TH/I 208-240V ELE CHASSIS	1
6	SC-23868	SCREW,M5x0.8X20MM FLAT	4
7	NU-2215	NUT,10-32 UNF HEX MS,18-8 SST	4
8	BT-26884	BRACKET, TETHER.	1
9	PG-3325	1.125" HOLE PLUG	1
10	BU-3964	BUSHING,STRAIGHT,STRAIN RELIEF	1
11	PG-25574	3/8" HOLE PLUG	1
12	RI-38125	RIVET,SEALED,.125"	2
13	SW-3528	20A,250V, DPST TOGGLE SWITCH	1
14	CC-34488R	CONTROL, ELAN	2
15	CB-34945	CABLE, WIRE HARNESS, ELAN C&H,	2
16	TT-34910	THERMOSTAT,COOK POD,	2
17	SN-47162	SENSOR, 1000 OHM, 40" WIRE,	1
18	CR-34646	CONNECTOR-5 CONDUCTOR	6
19	1006871	NON-PRODUCT PROBE SEAL	2
20	PE-48056	PANEL,OVERLAY,1000-TH SERIES	1
21	CR-34503	CONNECTOR, RECTANGULAR CONTACTS	2
22	SN-38111	SENSOR, 1000 OHM, 110" WIRE,	1
23	CR-34502	CONNECTOR, HOUSING, 2 PORTS	1
24	SC-22271	SCREWS,M4-0.7X6MM PHIL	3
25	1493	GUARD SENSOR,W/MW	2
26	BK-29605	BLOCK, SENSOR, ELEC. CONTROL	2
27	KN-26568	KNOB, UNIBODY, T-STAT CONTROL	4
28	PE-48058	PANEL,MIDBONNET OVERLAY,1000	1
29	SW-38665	SWITCH,ROCKER,DPST,20A,125V,	2
30	5012577	1000-TH/I MID BONNET ASSY 250F	1

Control Package "B," 1000-TH/I, 230V



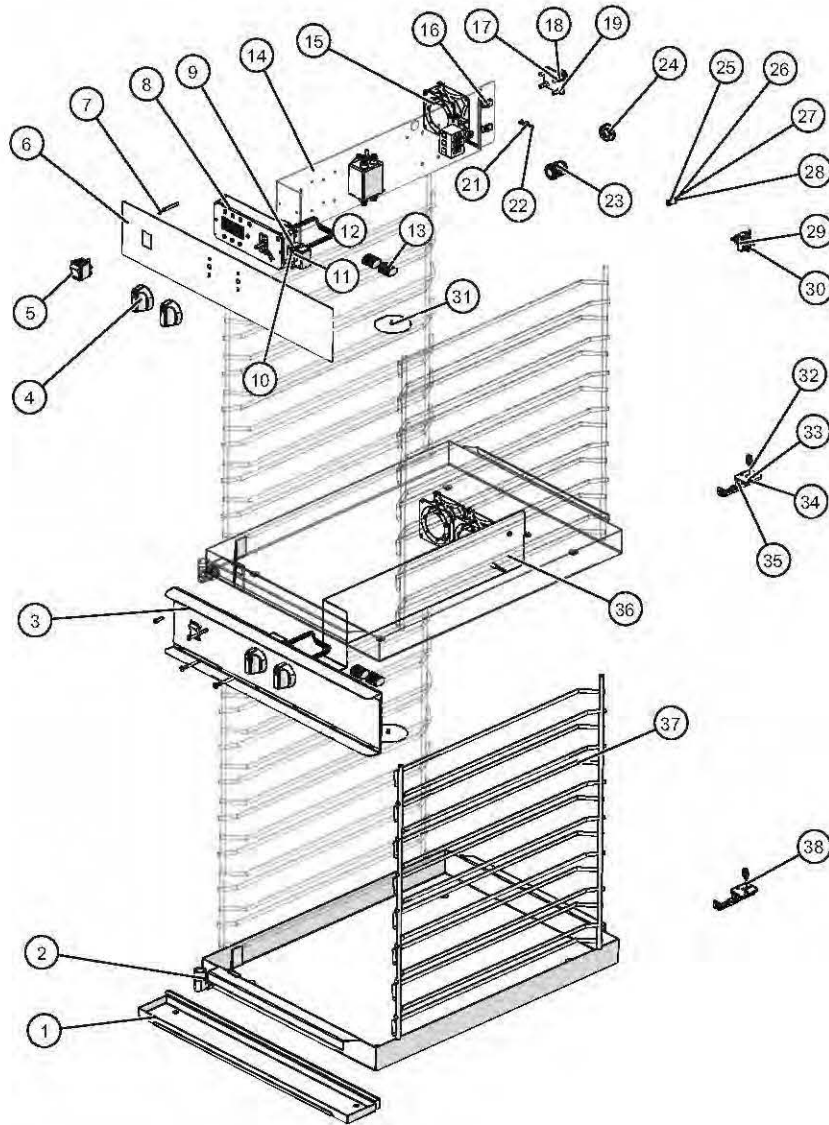
ID	Part No.	Description	Qty
1	5009716	1000-TH DRIP TRAY KIT	1
2	5005616	DRIP PAN WELD ASSBY	2
3	SR-2266	S/S SIDE RACK	4
4	FA-34524	FAN,3" BOX,230V,THERMAL PROTEC	3
5	5014309	1000-TH/I 230V ELEC CHASSIS	1
6	SC-23868	SCREW,M5x0.8X20MM FLAT	4
7	NU-2215	NUT,10-32 UNF HEX MS,18-8 SST	4
8	BT-26884	BRACKET, TETHER.	1
9	PG-3325	1.125" HOLE PLUG	1
10	BU-3964	BUSHING,STRAIGHT,STRAIN RELIEF	1
11	PG-25574	3/8" HOLE PLUG	1
12	RI-38125	RIVET,SEALED,.125"	2
13	SW-3528	20A,250V, DPST TOGGLE SWITCH	1
14	CC-34488R	CONTROL, ELAN	1
15	CB-34945	CABLE, WIRE HARNESS, ELAN C&H,	1
16	TT-34910	THERMOSTAT,COOK POD,	1
17	SN-47162	SENSOR, 1000 OHM, 40" WIRE,	1
18	CR-34646	CONNECTOR-5 CONDUCTOR	2
19	1006871	NON-PRODUCT PROBE SEAL	2
20	PE-48056	PANEL,OVERLAY,1000-TH SERIES	1
21	CR-34503	CONNECTOR, RECTANGULAR CONTACTS	2
22	SN-38111	SENSOR, 1000 OHM, 110" WIRE,	1
23	CR-34502	CONNECTOR, HOUSING, 2 PORTS	1
24	SC-22271	SCREWS,M4-0.7X6MM PHIL	3
25	1493	GUARD SENSOR,W/MW	2
26	BK-29605	BLOCK, SENSOR, ELEC. CONTROL	2
27	KN-26568	KNOB, UNIBODY, T-STAT CONTROL	4
28	PE-48058	PANEL,MIDBONNET OVERLAY,1000	1
29	SW-38665	SWITCH,ROCKER,DPST,20A,125V,	2
30	5022030	1000-TH/I MID BONNET ASSY 230V	1

Control Package "C," 1000-TH/I, 208-240V



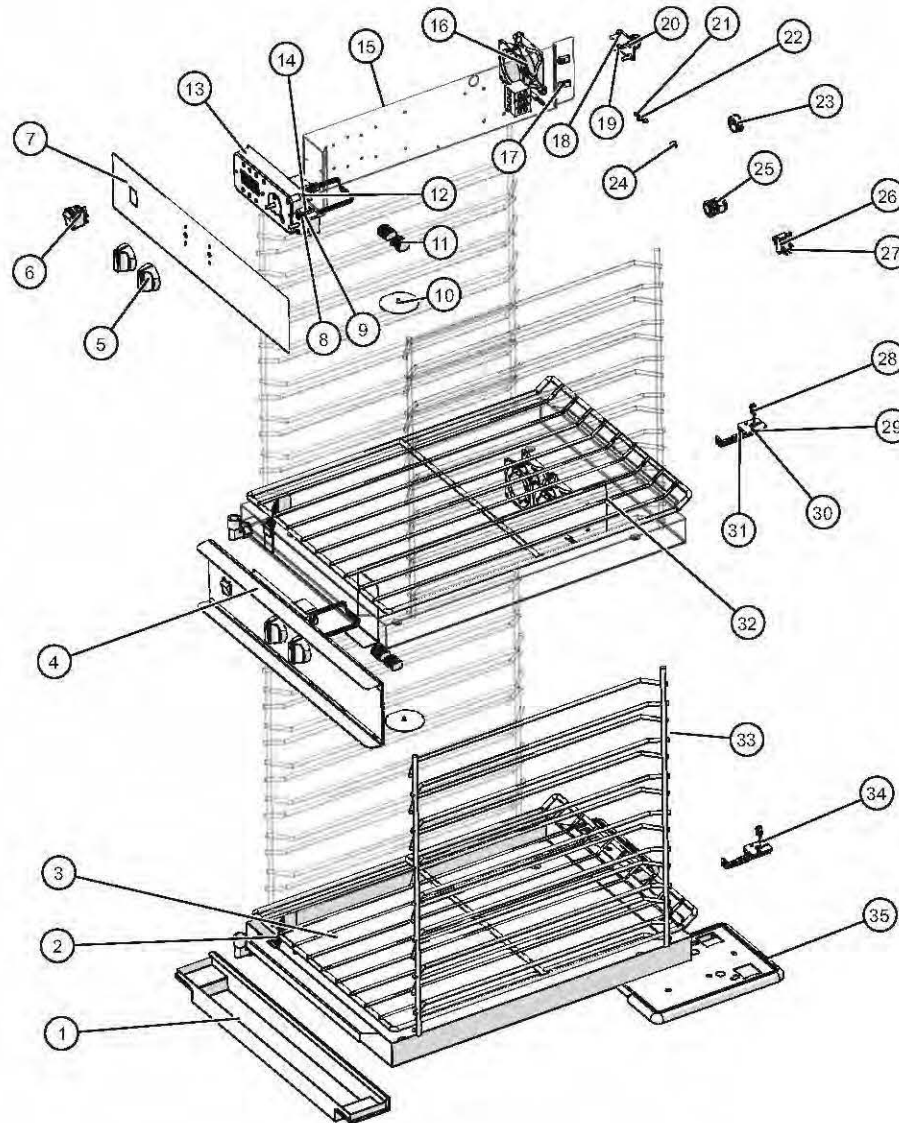
ID	Part No.	Description	Qty
1	5009716	1000-TH DRIP TRAY KIT	1
2	5005616	DRIP PAN WELD ASSBY	2
3	1006871	NON-PRODUCT PROBE SEAL	2
4	5012577	1000-TH/I MID BONNET ASSY 250F	1
5	SC-28142	SCREW,M4x0.7X45MM PAN	4
6	KN-26568	KNOB, UNIBODY, T-STAT CONTROL	2
7	SW-38665	SWITCH,ROCKER,DPST,20A,125V,	1
8	SC-22273	SCREW,M4x0.7X10MM PAN	2
9	SC-38240	SCREW,M4x0.7X16MM PAN	4
10	CC-34488R	CONTROL, ELAN	1
11	TT-34910	THERMOSTAT,COOK POD,	1
12	NU-22286	M4-0.7 HEX NUT 18-8	2
13	CR-34646	CONNECTOR-5 CONDUCTOR	4
14	CB-34945	CABLE, WIRE HARNESS, ELAN C&H,	1
15	5014307	1000-TH/I 208-240V ELE CHASSIS	1
16	FA-34524	FAN,3" BOX,230V,THERMAL PROTEC	3
17	NU-2215	NUT,10-32 UNF HEX MS,18-8 SST	4
18	SC-23868	SCREW,M5x0.8X20MM FLAT	4
19	BT-26884	BRACKET, TETHER.	1
20	PG-28439	PLUG, DOME,.187" HOLE	4
21	PG-3325	1.125" HOLE PLUG	1
22	PG-25574	3/8" HOLE PLUG	2
23	BU-3964	BUSHING,STRAIGHT,STRAIN RELIEF	1
24	NU-38453	NUT,CLIP-ON,M4 X 0.7	10
25	SW-3528	20A,250V, DPST TOGGLE SWITCH	1
26	RI-38125	RIVET,SEALED,.125", GRIP RG .039-.118	2
27	SR-2266	S/S SIDE RACK	4
28	SN-47162	SENSOR, 1000 OHM, 40" WIRE,	1
29	BK 29605	BLOCK, SENSOR, ELEC. CONTROL	2
30	SC-22271	SCREWS,M4-0.7X6MM PHIL	4
31	1493	GUARD SENSOR,W/MW	2
32	SN-38111	SENSOR, 1000 OHM, 110" WIRE,	1
33	CR-34559	CONNECTOR, DBL MALE / SINGLE FEMALE	2

Control Package "D," 1000-TH/I, 230V



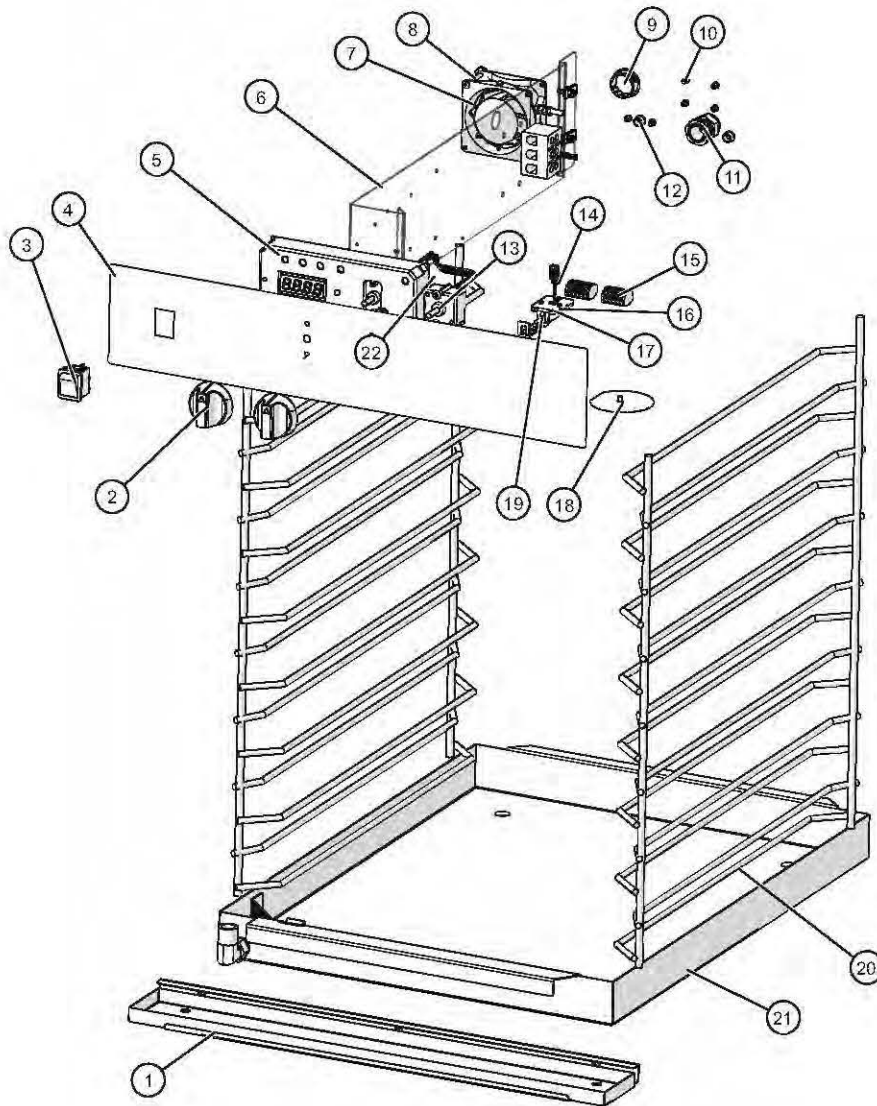
ID	Part No.	Description	Qty
1	5009716	1000-TH DRIP TRAY KIT	1
2	5005616	DRIP PAN WELD ASSBY	2
3	5022030	1000-TH/I MID BONNET ASSY 230V	1
4	KN-26568	KNOB, UNIBODY, T-STAT CONTROL	2
5	SW-38665	SWITCH,ROCKER,DPST,20A,125V,	1
6	PE-48056	PANEL_OVERLAY,1000-TH SERIES	1
7	SC-28142	SCREW,M4x0.7X45MM PAN	7
8	CC-34488R	CONTROL, ELAN	1
9	NU-22286	M4-0.7 HEX NUT 18-8	2
10	CR-34559	CONNECTOR, DBL MALE / SINGLE FEMALE	2
11	TT-34910	THERMOSTAT,COOK POD,	1
12	CB-34945	CABLE, WIRE HARNESS, ELAN C&H,	1
13	CR-34646	CONNECTOR-5 CONDUCTOR	2
14	5014309	1000-TH/I 230V ELEC CHASSIS	1
15	FA-34524	FAN,3" BOX,230V,THERMAL PROTEC	3
16	SC-38240	SCREW,M4x0.7X16MM PAN	2
17	BT-26884	BRACKET, TETHER,	1
18	NU-2215	NUT,10-32 UNF HEX MS,18-8 SST	4
19	SC-23868	SCREW,M5x0.8X20MM FLAT	4
21	PG-25574	3/8" HOLE PLUG	2
22	PG-28439	PLUG, DOME,,187" HOLE	4
23	BU-3964	BUSHING,STRAIGHT,STRAIN RELIEF	1
24	PG-3325	1.125" HOLE PLUG	1
25	NU-22770	NUT, THREADED INSERT, M6	1
26	SC-22924	HHCS, M6 X 20, W/NO MARKING	1
27	WS-22302	WASHER, SPLIT LOCK	2
28	WS-22297	WASHER, FLAT	2
29	SW-3528	20A,250V, DPST TOGGLE SWITCH	1
30	RI-38125	RIVET,SEALED,,125", GRIP RG .039-.118	2
31	1006871	NON-PRODUCT PROBE SEAL	2
32	SN-47162	SENSOR, 1000 OHM, 40" WIRE,	1
33	BK-29605	BLOCK, SENSOR, ELEC. CONTROL	2
34	SC-22271	SCREWS,M4-0.7X6MM PHIL	4
35	1493	GUARD SENSOR,W/MW	2
36	NU-38453	NUT,CLIP-ON,M4 X 0.7	10
37	SR-2266	S/S SIDE RACK	4
38	SN-38111	SENSOR, 1000 OHM, 110" WIRE,	1

Control Package "E," 1000-TH/I, 208-240V



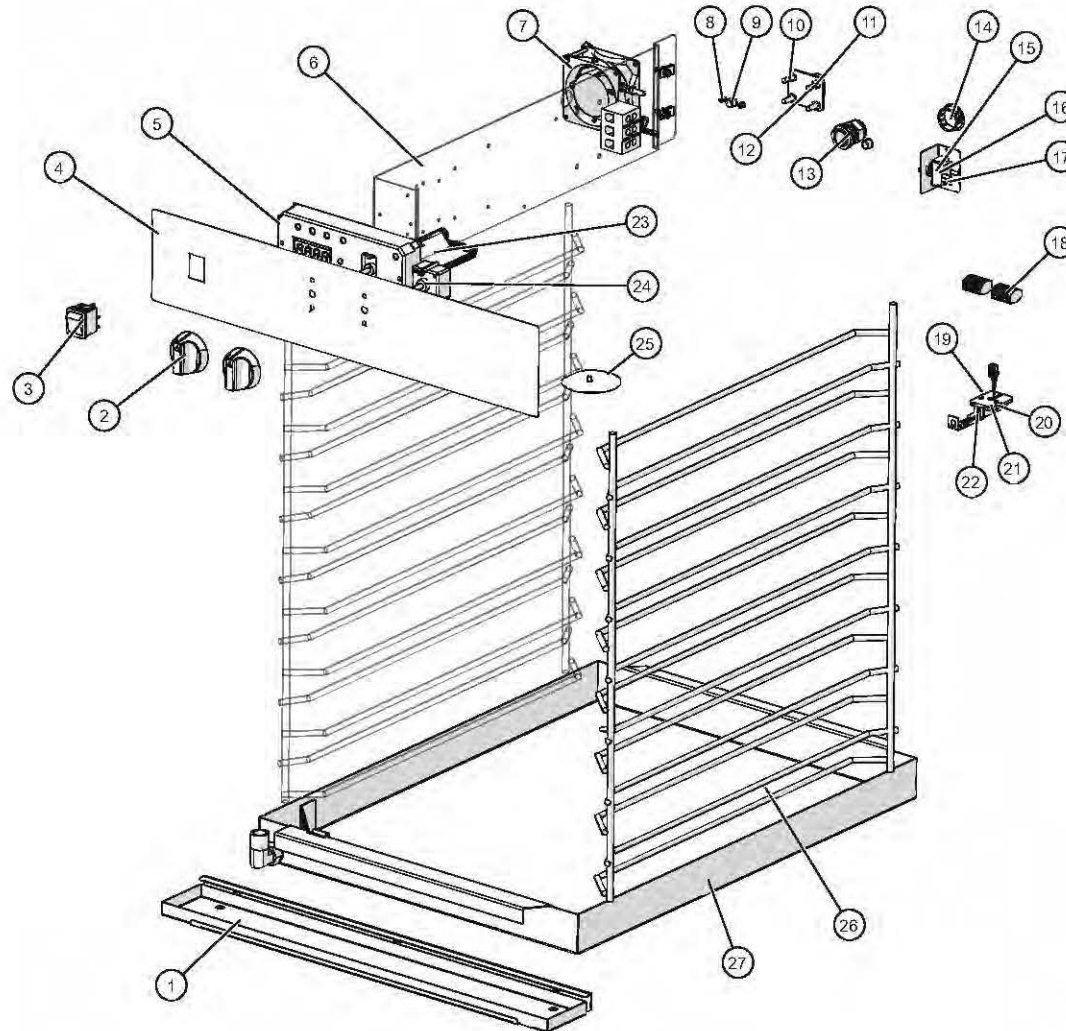
ID	Part No.	Description	Qty
1	5010515	1000-TH DRIP TRAY KIT, OCB	1
2	5005616	DRIP PAN WELD ASSBY	2
3	SH-2325	SHELF, S/S, 1000-TH	2
4	5012577	1000-TH/I MID BONNET ASSY 250F	1
5	KN-26568	KNOB, UNIBODY, T-STAT CONTROL	2
6	SW-38665	SWITCH,ROCKER,DPST,20A,125V,	1
7	PE-48056	PANEL,OVERLAY,1000-TH SERIES	1
8	TT-34910	THERMOSTAT,COOK POD,	1
9	CR-34559	CONNECTOR, DBL MALE / SINGLE FEMALE	2
10	1006871	NON-PRODUCT PROBE SEAL	2
11	CR-34646	CONNECTOR-5 CONDUCTOR	2
12	CB-34945	CABLE, WIRE HARNESS, ELAN C&H,	1
13	CC-34488R	CONTROL, ELAN	1
14	NU-22286	M4-0.7 HEX NUT 18-8	2
15	5014307	1000-TH/I 208-240V ELE CHASSIS	1
16	FA-34524	FAN,3" BOX,230V,THERMAL PROTEC	3
17	NU-38453	NUT,CLIP-ON,M4 X 0.7	10
18	SC-23868	SCREW,M5x0.8X20MM FLAT	4
19	NU-2215	NUT,10-32 UNF HEX MS,18-8 SST	4
20	BT-26884	BRACKET, TETHER,	1
21	PG-28439	PLUG, DOME,.187" HOLE	2
22	PG-25574	3/8" HOLE PLUG	1
23	PG-3325	1.125" HOLE PLUG	1
24	PG-25574	3/8" HOLE PLUG	2
25	BU-3964	BUSHING,STRAIGHT,STRAIN RELIEF	1
26	SW-3528	20A,250V, DPST TOGGLE SWITCH	1
27	RI-38125	RIVET,SEALED,.125", GRIP RG .039-.118	2
28	SN-47162	SENSOR, 1000 OHM, 40" WIRE,	1
29	SC-22271	SCREWS,M4-0.7X6MM PHIL	4
30	BK-29605	BLOCK, SENSOR, ELEC. CONTROL	2
31	1493	GUARD SENSOR,W/MW	2
32	PG-28439	PLUG, DOME,.187" HOLE	2
33	SR-2266	S/S SIDE RACK	4
34	SN-38111	SENSOR, 1000 OHM, 110" WIRE,	1
35	5007807	OCB REAR BUMPER PACKAGE	1

Control Package "A," 1000-TH/II, 120V



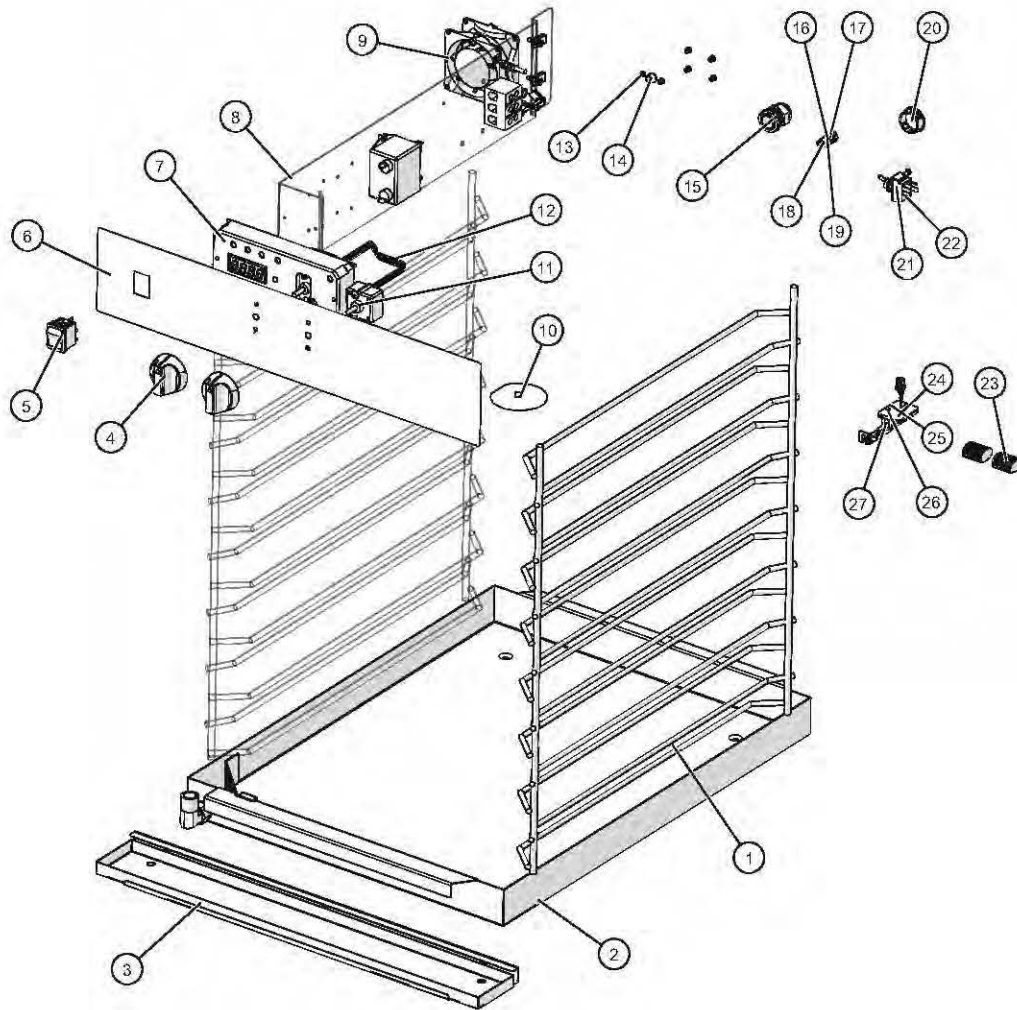
ID	Part No.	Description	Qty
1	5009716	1000-TH DRIP TRAY KIT	1
2	KN-26568	KNOB, UNIBODY, T-STAT CONTROL	2
3	SW-38665	SWITCH,ROCKER,DPST,20A,125V,	1
4	PE-48056	PANEL,OVERLAY,1000-TH SERIES	1
5	CC-34488R	CONTROL, ELAN	1
6	5014098	1000-TH/II 120V ELEC CHASSIS	1
7	FA-3973	FAN, BOX, 115V, 34CFM	1
8	SC-28142	SCREW,M4x0.7X45MM PAN	2
9	PG-3325	1.125" HOLE PLUG	1
10	PG-28439	PLUG, DOME,.187" HOLE	6
11	BU-3964	BUSHING,STRAIGHT,STRAIN RELIEF	1
12	PG-25574	3/8" HOLE PLUG	2
13	TT-34910	THERMOSTAT,COOK POD,	1
14	SN-38111	SENSOR, 1000 OHM, 110" WIRE,	1
15	CR-34646	CONNECTOR-5 CONDUCTOR	2
16	SC-22271	SCREWS,M4-0.7X6MM PHIL	3
17	BK-29605	BLOCK, SENSOR, ELEC. CONTROL	1
18	1006871	NON-PRODUCT PROBE SEAL	1
19	1493	GUARD SENSOR,W/MW	1
20	SR-2266	S/S SIDE RACK	2
21	5005616	DRIP PAN WELD ASSBY	1
22	CB-34945	CABLE, WIRE HARNESS, ELAN C&H,	1

Control Package "B," 1000-TH/II, 208-240V



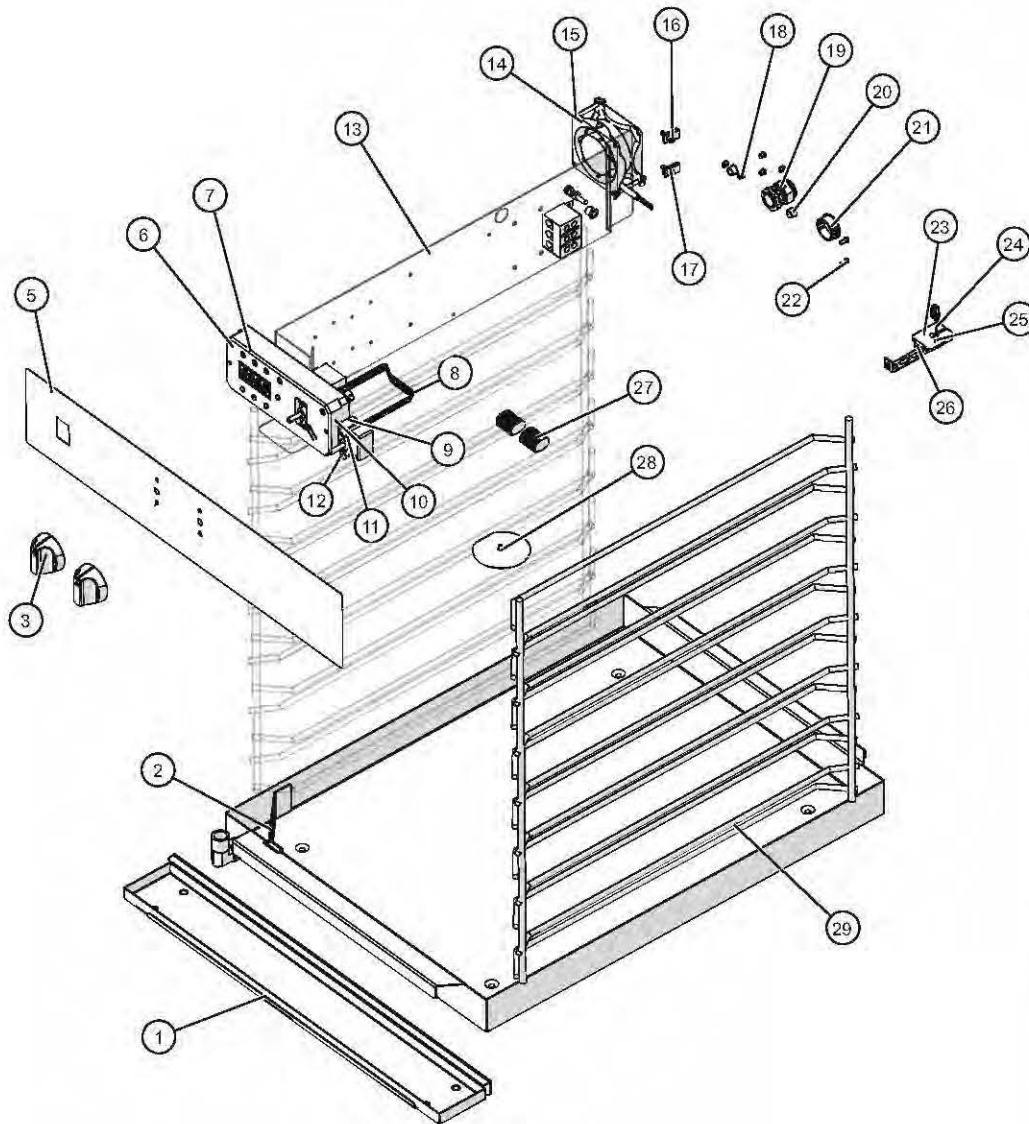
ID	Part No.	Description	Qty
1	5009716	1000-TH DRIP TRAY KIT	1
2	KN-26568	KNOB, UNIBODY, T-STAT CONTROL	2
3	SW-38665	SWITCH,ROCKER,DPST,20A,125V,	1
4	PE-48056	PANEL,OVERLAY,1000-TH SERIES	1
5	CC-34488R	CONTROL, ELAN	1
6	5014100	1000-TH/II 208-240V ELEC CHASSIS	1
7	FA-34524	FAN,3" BOX,230V,THERMAL PROTEC	1
8	PG-28439	PLUG, DOME,.187" HOLE	2
9	PG-25574	3/8" HOLE PLUG	2
10	SC-23868	SCREW,M5x0.8X20MM FLAT	4
11	NU-2215	NUT,10-32 UNF HEX MS,18-8 SST	4
12	BT-26884	BRACKET, TETHER.	1
13	BU-3964	BUSHING, STRAIGHT,STRAIN RELIEF	1
14	PG-3325	1.125" HOLE PLUG	1
15	SW-3528	20A,250V, DPST TOGGLE SWITCH	1
16	1012606	VOLTAGE SWITCH HOLDER,	1
17	RI-38125	RIVET,SEALED,.125"	2
18	CR-34646	CONNECTOR-5 CONDUCTOR	2
19	SN-38111	SENSOR, 1000 OHM, 110" WIRE,	1
20	SC-22271	SCREWS,M4-0.7X6MM PHIL	2
21	BK-29605	BLOCK, SENSOR, ELEC. CONTROL	1
22	1493	GUARD SENSOR,W/MW	1
23	CB-34945	CABLE, WIRE HARNESS, ELAN C&H,	1
24	TT-34910	THERMOSTAT,COOK POD,	1
25	1006871	NON-PRODUCT PROBE SEAL	1
26	SR-2266	S/S SIDE RACK	2
27	5005616	DRIP PAN WELD ASSBY	1

Control Package "C," 1000-TH/II, 230V



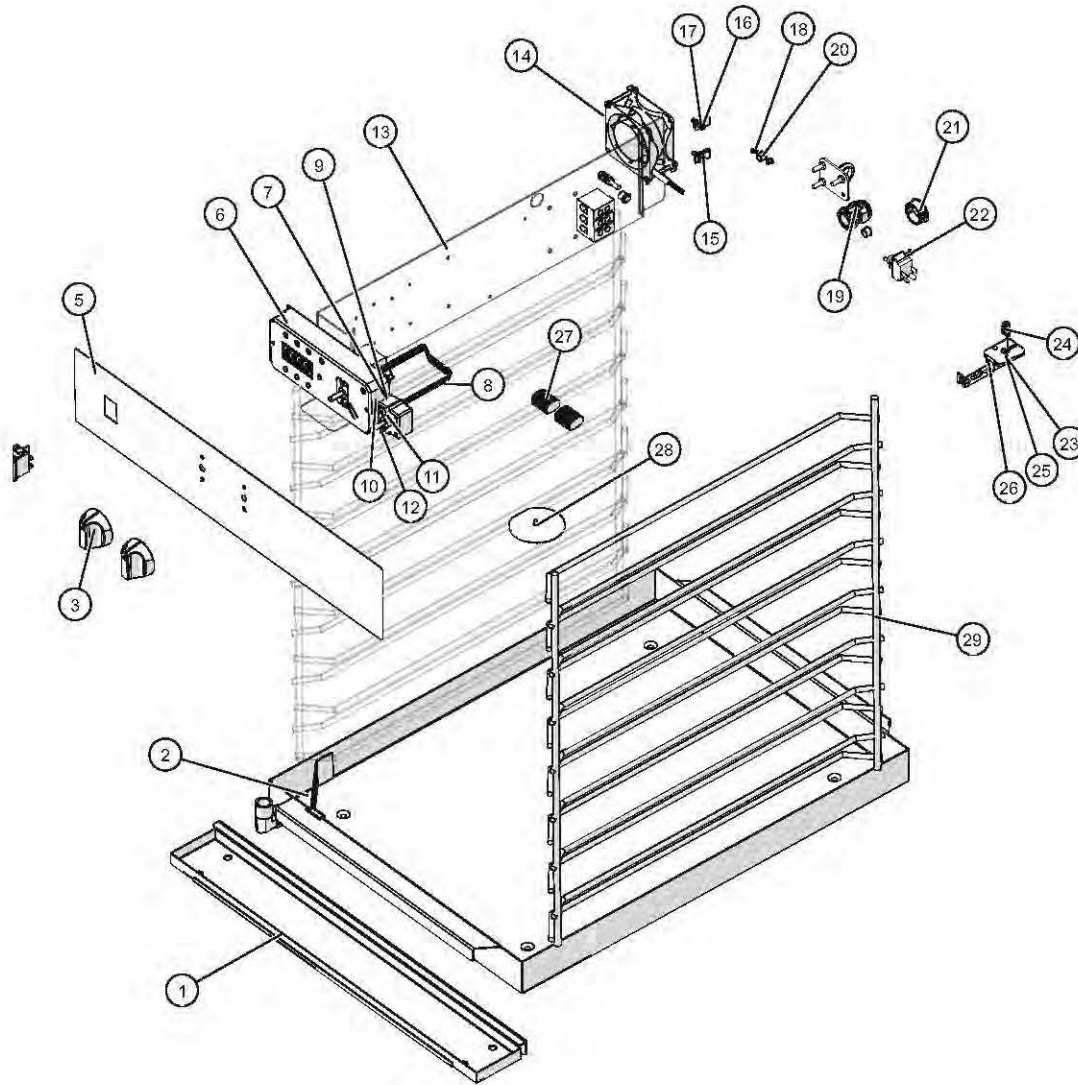
ID	Part No.	Description	Qty
1	SR-2266	S/S SIDE RACK	2
2	5005616	DRIP PAN WELD ASSBY	1
3	5009716	1000-TH DRIP TRAY KIT	1
4	KN-26568	KNOB, UNIBODY, T-STAT CONTROL	2
5	SW-38665	SWITCH,ROCKER,DPST,20A,125V,	1
6	PE-48056	PANEL,OVERLAY,1000-TH SERIES	1
7	CC-34488R	CONTROL, ELAN	1
8	5014102	1000-TH/II 230V ELEC CHASSIS	1
9	FA-34524	FAN,3" BOX,230V,THERMAL PROTEC	1
10	1006871	NON-PRODUCT PROBE SEAL	1
11	TT-34910	THERMOSTAT,COOK POD,	1
12	CB-34945	CABLE, WIRE HARNESS, ELAN C&H,	1
13	PG-28439	PLUG, DOME, .187" HOLE	6
14	PG-25574	3/8" HOLE PLUG	1
15	BU-3964	BUSHING,STRAIGHT,STRAIN RELIEF	1
16	WS-22297	WASHER, FLAT	2
17	WS-22302	WASHER, SPLIT LOCK	2
18	NU-22770	NUT, THREADED INSERT, M6	1
19	SC-22924	HHCS, M6 X 20, W/NO MARKING	1
20	PG-3325	1.125" HOLE PLUG	1
21	SW-3528	20A,250V, DPST TOGGLE SWITCH	1
22	RI-38125	RIVET,SEALED, .125"	2
23	CR-34646	CONNECTOR-5 CONDUCTOR	2
24	BK-29605	BLOCK, SENSOR, ELEC. CONTROL	1
25	SN-38111	SENSOR, 1000 OHM, 110" WIRE,	1
26	SC-22271	SCREWS,M4-0.7X6MM PHIL	2
27	1493	GUARD SENSOR,W/MW	1

Control Package "D," 1000-TH/II, 120V



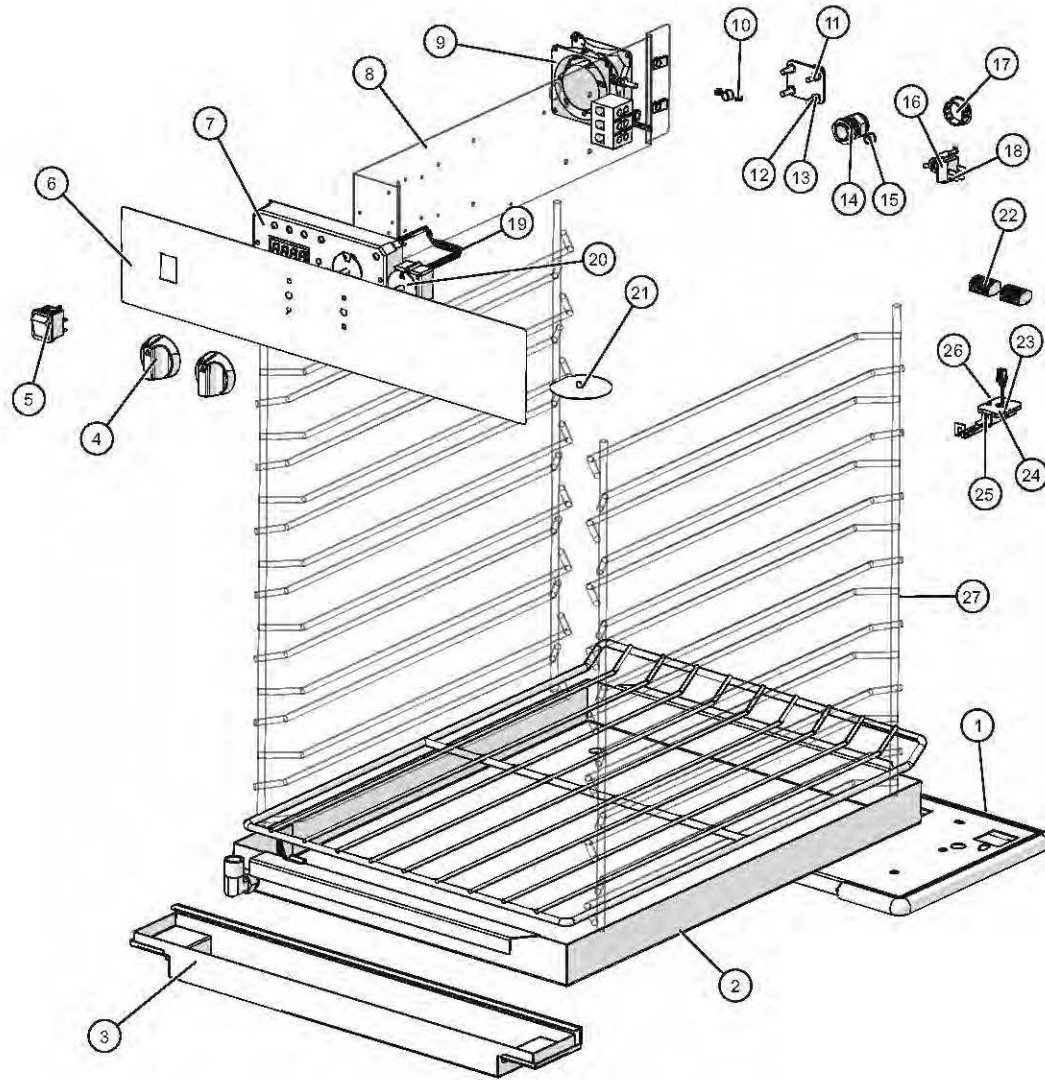
ID	Part No.	Description	Qty
1	5009716	1000-TH DRIP TRAY KIT	1
2	5005616	DRIP PAN WELD ASSBY	1
3	KN-26568	KNOB, UNIBODY, T-STAT CONTROL	2
4	SW-38665	SWITCH,ROCKER,DPST,20A,125V,	1
5	PE-48056	PANEL,OVERLAY,1000-TH SERIES	1
6	CC-34488R	CONTROL, ELAN	1
7	WS-22300	WASHER, SPLIT LOCK	2
8	CB-34945	CABLE, WIRE HARNESS, ELAN C&H,	1
9	NU-22286	M4-0.7 HEX NUT 18-8	2
10	CR-34559	CONNECTOR	2
11	TT-34910	THERMOSTAT,COOK POD,	1
12	SC-2425	8-32 x 1/2" PHIL SCREW	2
13	5014098	1000-TH/II 120V ELEC CHASSIS	1
14	FA-3973	FAN, BOX, 115V, 34CFM	1
15	SC-28142	SCREW,M4x0.7X45MM PAN	2
16	SC-38240	SCREW,M4x0.7X16MM PAN	2
17	NU-38453	NUT,CLIP-ON,M4 X 0.7	4
18	PG-28439	PLUG, DOME,,187" HOLE	6
19	BU-3964	BUSHING,STRAIGHT,STRAIN RELIEF	1
20	PG-25574	3/8" HOLE PLUG	2
21	PG-3325	1.125" HOLE PLUG	1
22	RI-38125	RIVET,SEALED,,125"	2
23	SC-22271	SCREWS,M4-0.7X6MM PHIL	3
24	SN-38111	SENSOR, 1000 OHM, 110" WIRE,	1
25	BK-29605	BLOCK, SENSOR, ELEC. CONTROL	1
26	1493	GUARD SENSOR,W/MW	1
27	CR-34646	CONNECTOR-5 CONDUCTOR	2
28	1006871	NON-PRODUCT PROBE SEAL	1
29	SR-2266	S/S SIDE RACK	2

Control Package "E," 1000-TH/II, 208-240V



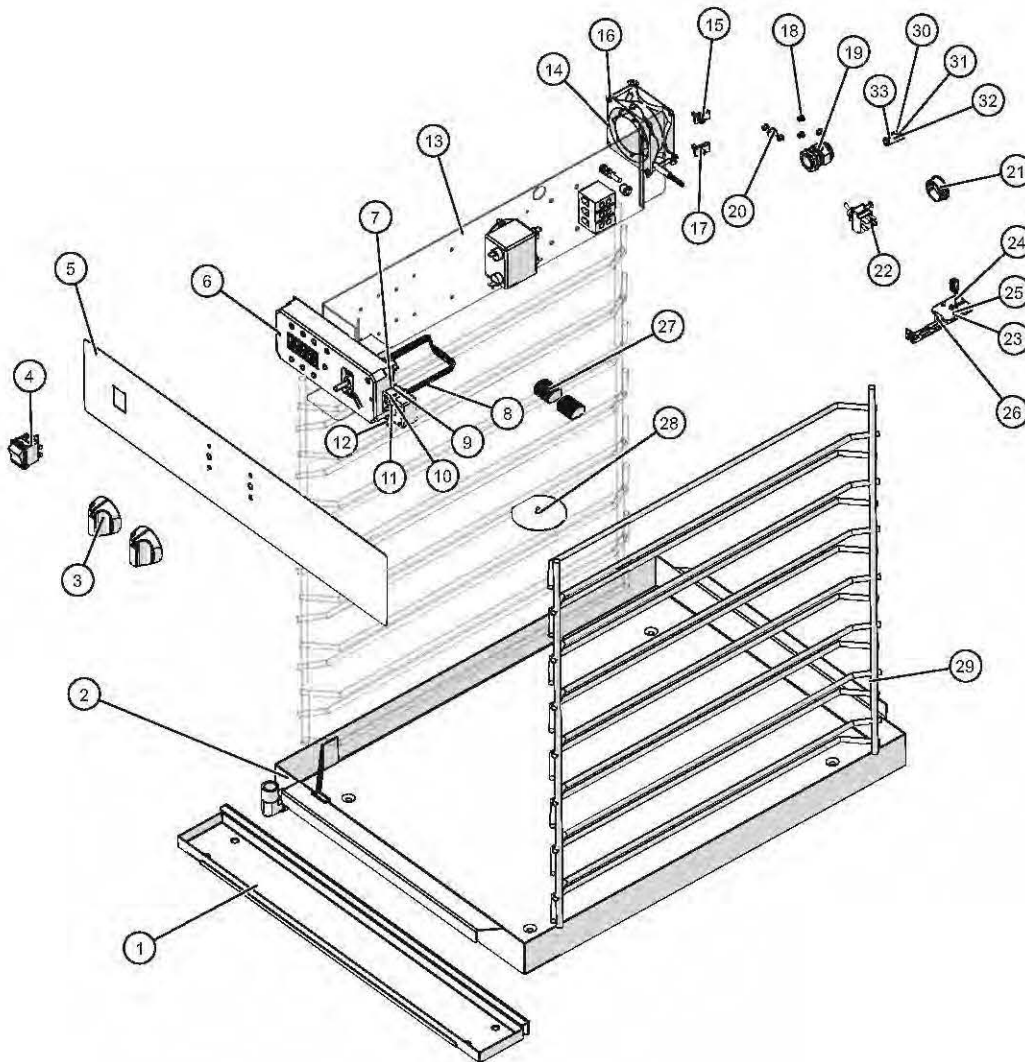
ID	Part No.	Description	Qty
1	5009716	1000-TH DRIP TRAY KIT	1
2	5005616	DRIP PAN WELD ASSBY	1
3	KN-26568	KNOB, UNIBODY, T-STAT CONTROL	2
4	SW-38665	SWITCH,ROCKER,DPST,20A,125V,	1
5	PE-48056	PANEL,OVERLAY,1000-TH SERIES	1
6	CC-34488R	CONTROL, ELAN	1
7	WS-22300	WASHER, SPLIT LOCK	2
8	CB-34945	CABLE, WIRE HARNESS, ELAN C&H,	1
9	NU-22286	M4-0.7 HEX NUT 18-8	2
10	CR-34559	CONNECTOR	2
11	TT-34910	THERMOSTAT,COOK POD,	1
12	SC-2425	8-32 x 1/2" PHIL SCREW	2
13	5014100	1000-TH/II 208-240V ELEC CHASSIS	1
14	FA-34524	FAN,3" BOX,230V,THERMAL PROTEC	1
15	SC-38240	SCREW,M4x0.7X16MM PAN	1
16	SC-38240	SCREW,M4x0.7X16MM PAN	1
17	NU-38453	NUT,CLIP-ON,M4 X 0.7	4
18	PG-28439	PLUG, DOME,,187" HOLE	2
19	BU-3964	BUSHING,STRAIGHT,STRAIN RELIEF	1
20	PG-25574	3/8" HOLE PLUG	2
21	PG-3325	1.125" HOLE PLUG	1
22	RI-38125	RIVET,SEALED,.125"	2
23	SC-22271	SCREWS,M4-0.7X6MM PHIL	3
24	SN-38111	SENSOR, 1000 OHM, 110" WIRE,	1
25	BK-29605	BLOCK, SENSOR, ELEC. CONTROL	1
26	1493	GUARD SENSOR,W/MW	1
27	CR-34646	CONNECTOR-5 CONDUCTOR	2
28	1006871	NON-PRODUCT PROBE SEAL	1
29	SR-2266	S/S SIDE RACK	2

Control Package "F," 1000-TH/II, 208-240V



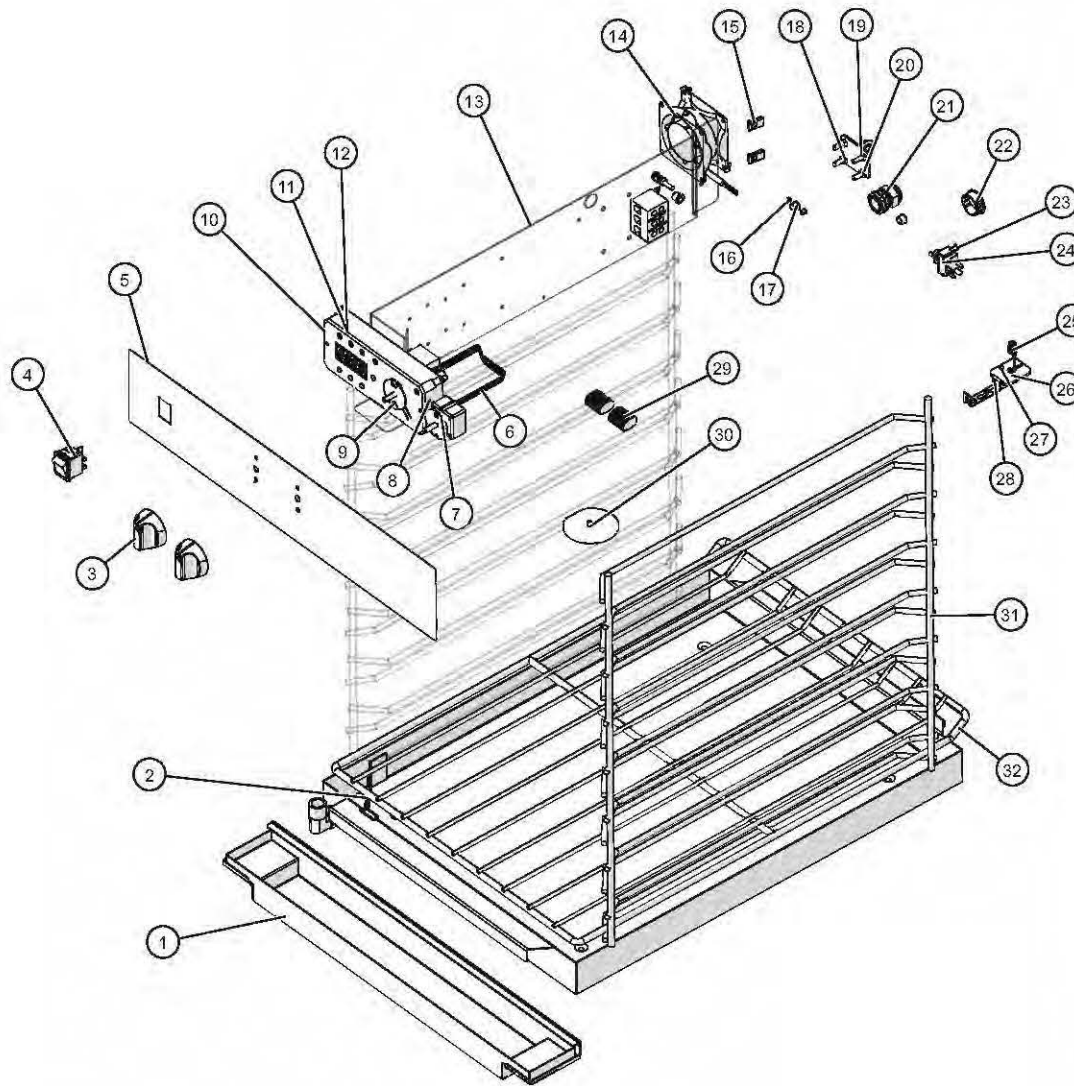
ID	Part No.	Description	Qty
1	5007607	OCB REAR BUMPER PACKAGE	1
2	5005616	DRIP PAN WELD ASSBY	1
3	5010515	1000-TH DRIP TRAY KIT, OCB	1
4	KN-26568	KNOB, UNIBODY, T-STAT CONTROL	2
5	SW-38665	SWITCH,ROCKER,DPST,20A,125V,	1
6	PE-48056	PANEL,OVERLAY,1000-TH SERIES	1
7	CC-34488R	CONTROL, ELAN	1
8	5014100	1000-TH/II 208-240V ELEC CHASSIS	1
9	FA-34524	FAN,3" BOX,230V,THERMAL PROTEC	1
10	PG-28439	PLUG, DOME,,187" HOLE	2
11	BT-26884	BRACKET, TETHER.	1
12	SC-23868	SCREW,M5x0.8X20MM FLAT	4
13	NU-2215	NUT,10-32 UNF HEX MS,18-8 SST	4
14	BU-3964	BUSHING,STRAIGHT,STRAIN RELIEF	1
15	PG-25574	3/8" HOLE PLUG	2
16	SW-3528	20A,250V, DPST TOGGLE SWITCH	1
17	PG-3325	1.125" HOLE PLUG	1
18	RI-38125	RIVET,SEALED,.125"	2
19	CB-34945	CABLE, WIRE HARNESS, ELAN C&H,	1
20	TT-34910	THERMOSTAT,COOK POD,	1
21	1006871	NON-PRODUCT PROBE SEAL	1
22	CR-34646	CONNECTOR-5 CONDUCTOR	2
23	SC-22271	SCREWS,M4-0.7X6MM PHIL	2
24	BK-29605	BLOCK, SENSOR, ELEC. CONTROL	1
25	1493	GUARD SENSOR,W/MW	1
26	SN-38111	SENSOR, 1000 OHM, 110" WIRE,	1
27	SR-2266	S/S SIDE RACK	2

Control Package "F," 1000-TH/II, 230V



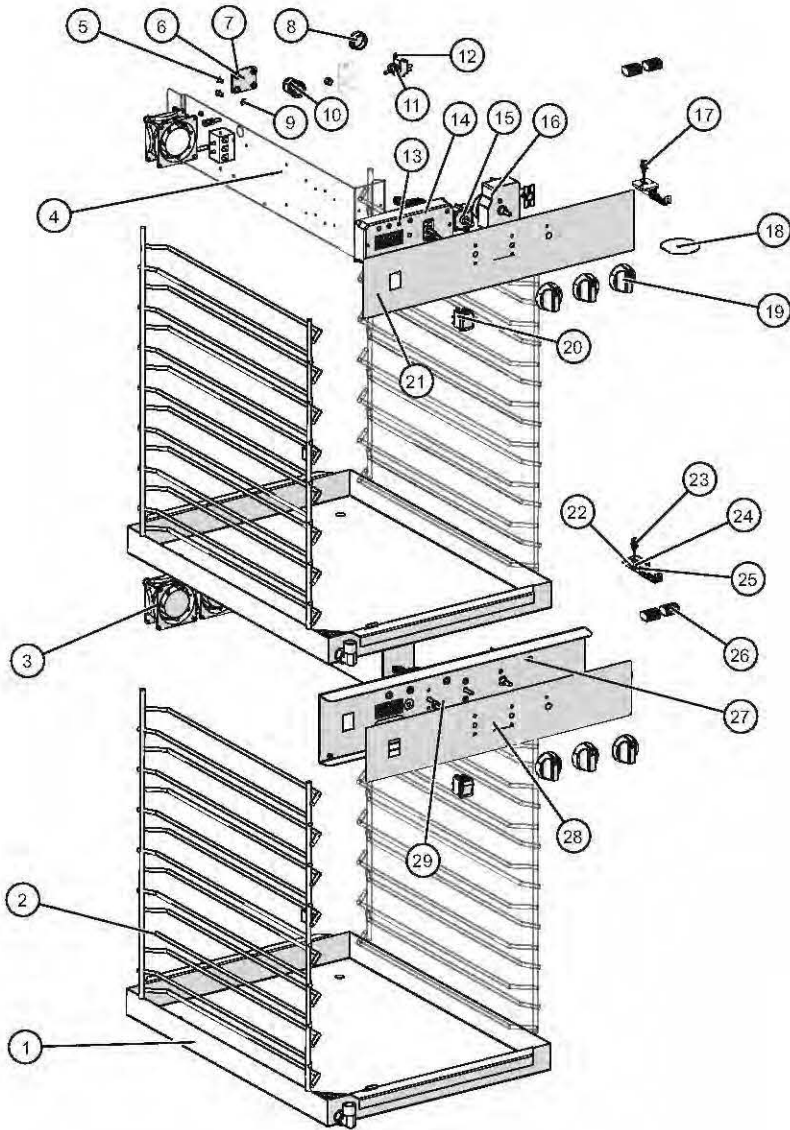
ID	Part No.	Description	Qty
1	5009716	1000-TH DRIP TRAY KIT	1
2	5005616	DRIP PAN WELD ASSBY	1
3	KN-26568	KNOB, UNIBODY, T-STAT CONTROL	2
4	SW-38665	SWITCH,ROCKER,DPST,20A,125V,	1
5	PE-48056	PANEL,OVERLAY,1000-TH SERIES	1
6	CC-34488R	CONTROL, ELAN	1
7	WS-22300	WASHER, SPLIT LOCK	2
8	CB-34945	CABLE, WIRE HARNESS, ELAN C&H,	1
9	NU-22286	M4-0.7 HEX NUT 18-8	2
10	CR-34559	CONNECTOR	2
11	TT-34910	THERMOSTAT,COOK POD,	1
12	SC-2425	8-32 x 1/2" PHIL SCREW	2
13	5014102	1000-TH/II 230V ELEC CHASSIS	1
14	FA-34524	FAN,3" BOX,230V,THERMAL PROTEC	1
15	SC-38240	SCREW,M4x0.7X16MM PAN	2
16	SC-28142	SCREW,M4x0.7X45MM PAN	2
17	NU-38453	NUT,CLIP-ON,M4 X 0.7	4
18	PG-28439	PLUG, DOME, .187" HOLE	6
19	BU-3964	BUSHING,STRAIGHT,STRAIN RELIEF	1
20	PG-25574	3/8" HOLE PLUG	1
21	PG-3325	1.125" HOLE PLUG	1
22	RI-38125	RIVET,SEALED,.125"	2
23	SC-22271	SCREWS,M4-0.7X6MM PHIL	3
24	SN-38111	SENSOR, 1000 OHM, 110" WIRE,	1
25	BK-29605	BLOCK, SENSOR, ELEC. CONTROL	1
26	1493	GUARD SENSOR,W/MW	1
27	CR-34646	CONNECTOR-5 CONDUCTOR	2
28	1006871	NON-PRODUCT PROBE SEAL	1
29	SR-2266	S/S SIDE RACK	2
30	WS-22302	WASHER, SPLIT LOCK	2
31	SC-22924	HHCS, M6 X 20, W/NO MARKING	1
32	WS-22297	WASHER, FLAT	2
33	NU-22770	NUT, THREADED INSERT, M6	1

Control Package "I," 1000-TH/II, 208-240V



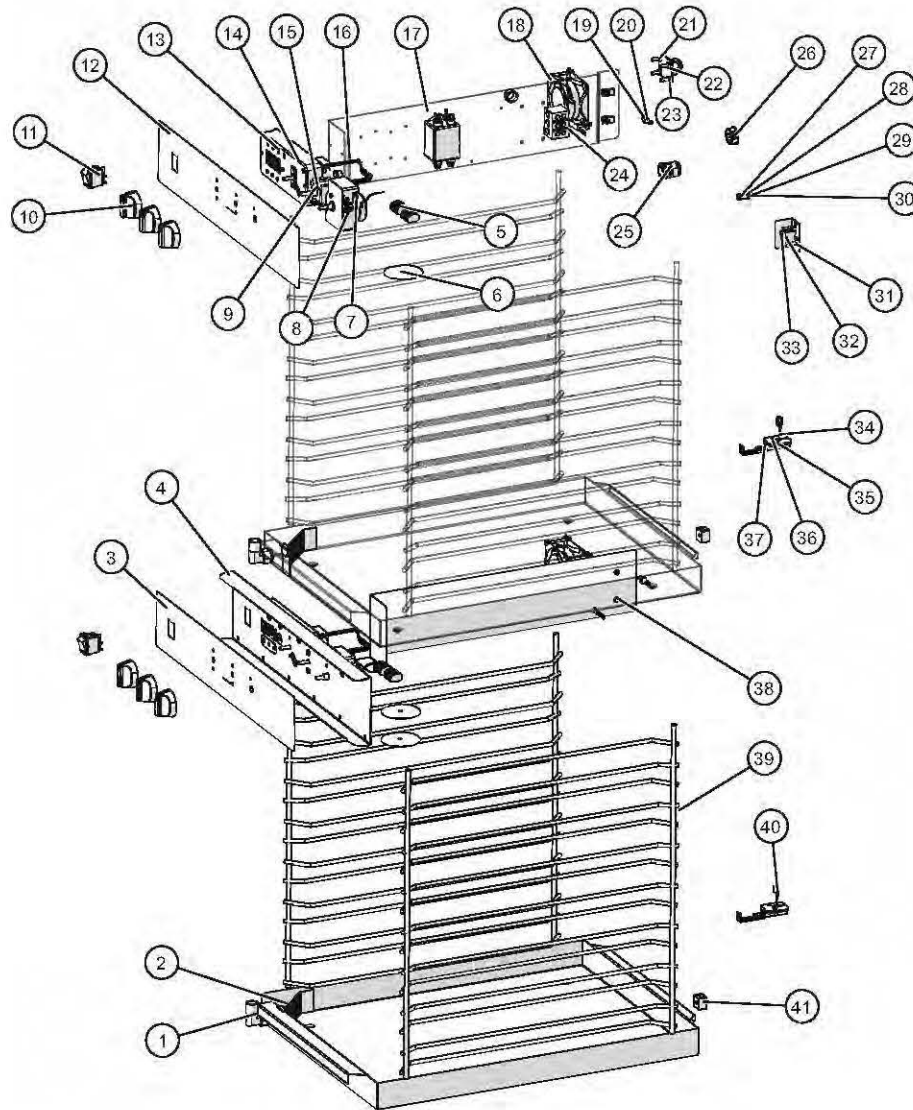
ID	Part No.	Description	Qty
1	5010515	1000-TH DRIP TRAY KIT, OCB	1
2	5005616	DRIP PAN WELD ASSBY	1
3	KN-26568	KNOB, UNIBODY, T-STAT CONTROL	2
4	SW-38665	SWITCH,ROCKER,DPST,20A,125V,	1
5	PE-48056	PANEL,OVERLAY,1000-TH SERIES	1
6	CB-34945	CABLE, WIRE HARNESS, ELAN C&H,	1
7	TT-34910	THERMOSTAT,COOK POD,	1
8	CR-34559	CONNECTOR	2
9	SC-2425	8-32 x 1/2" PHIL SCREW	2
10	CC-34488R	CONTROL, ELAN	1
11	NU-22286	M4-0.7 HEX NUT 18-8	2
12	WS-22300	WASHER, SPLIT LOCK	2
13	5014005	1000-TH/II 208-240V ELEC CHASSIS	1
14	FA-34524	FAN,3" BOX,230V,THERMAL PROTEC	1
15	NU-38453	NUT,CLIP-ON,M4 X 0.7	4
16	PG-28439	PLUG, DOME, .187" HOLE	2
17	PG-25574	3/8" HOLE PLUG	2
18	SC-23868	SCREW,M5x0.8X20MM FLAT	4
19	BT-26884	BRACKET, TETHER.	1
20	NU-2215	NUT,10-32 UNF HEX MS,18-8 SST	4
21	BU-3964	BUSHING,STRAIGHT,STRAIN RELIEF	1
22	PG-3325	1.125" HOLE PLUG	1
23	RI-38125	RIVET,SEALED, .125"	2
24	SW-3528	20A,250V, DPST TOGGLE SWITCH	1
25	SN-38111	SENSOR, 1000 OHM, 110" WIRE,	1
26	BK-29605	BLOCK, SENSOR, ELEC. CONTROL	1
27	SC-22271	SCREWS,M4-0.7X6MM PHIL	3
28	1493	GUARD SENSOR,W/MW	1
29	CR-34646	CONNECTOR-5 CONDUCTOR	2
30	1006871	NON-PRODUCT PROBE SEAL	1
31	SR-2266	S/S SIDE RACK	2
32	SH-2325	SHELF, S/S, 1000-TH	1

Control Package "A," 1000-SK/I, 208-240V



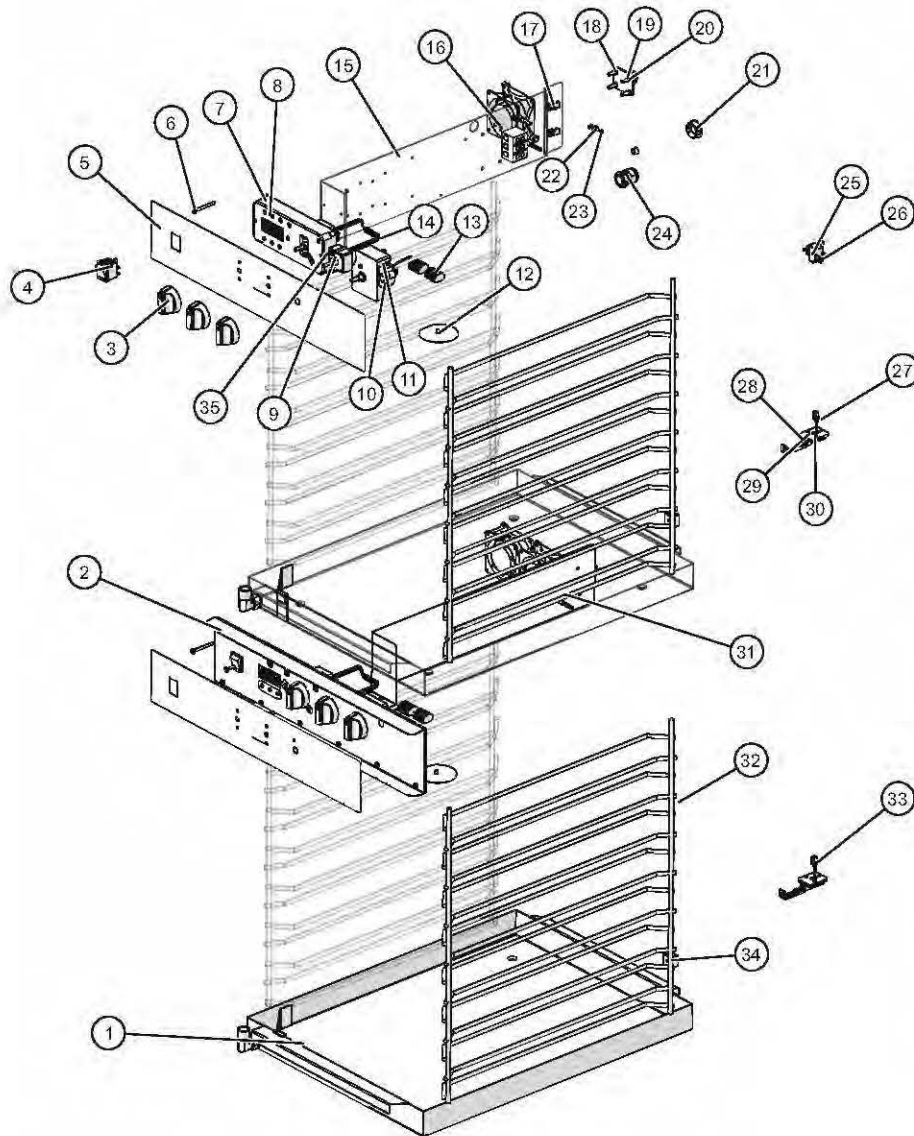
ID	Part No.	Description	Qty
1	5005616	DRIP PAN WELD ASSBY	2
2	SR-2266	S/S SIDE RACK	4
3	FA-34524	FAN,3" BOX,230V,THERMAL PROTEC	3
4	5014317	CHASSIS, ELEC,1000-SK 208-240V	1
5	SC-23670	SCREW,10-32X1/2,NF PHIL,FLAT,	4
6	BT-26884	BRACKET, TETHER,	1
7	NU-2215	NUT,10-32 UNF HEX MS,18-8 SST	4
8	PG-3325	1.125" HOLE PLUG	1
9	PG-25574	3/8" HOLE PLUG	2
10	BU-3964	BUSHING,STRAIGHT,STRAIN RELIEF	1
11	SW-3528	20A,250V, DPST TOGGLE SWITCH	1
12	RI-38125	RIVET,SEALED,.125"	2
13	CC-34488R	CONTROL, ELAN	1
14	CB-34945	CABLE, WIRE HARNESS, ELAN C&H,	2
15	TT-34910	THERMOSTAT,COOK POD,	2
16	TR-34539	TIMER, 1HR, 208/240V, 50/60HZ,	2
17	SN-47162	SENSOR, 1000 OHM, 40" WIRE,	1
18	1006871	NON-PRODUCT PROBE SEAL	2
19	KN-26568	KNOB, UNIBODY, T-STAT CONTROL	6
20	SW-38665	SWITCH,ROCKER,DPST,20A,125V,	2
21	PE-48057	PANEL,OVERLAY,1000-SK/I, SK/II	1
22	SC-22271	SCREWS,M4-0.7X6MM PHIL	2
23	SN-38111	SENSOR, 1000 OHM, 110" WIRE,	1
24	BK-29605	BLOCK, SENSOR, ELEC. CONTROL	1
25	1493	GUARD SENSOR,W/MW	1
26	CR-34646	CONNECTOR-5 CONDUCTOR	4
27	LI-3951	WHITE PILOT LIGHT 250V	2
28	PE-48059	PANEL,OVERLAY,1000-SK MIDBNT	1
29	5013230	1000-SK/II 250T MID BONNET ASSY	1

Control Package "B," 1000-SK/I, 230V



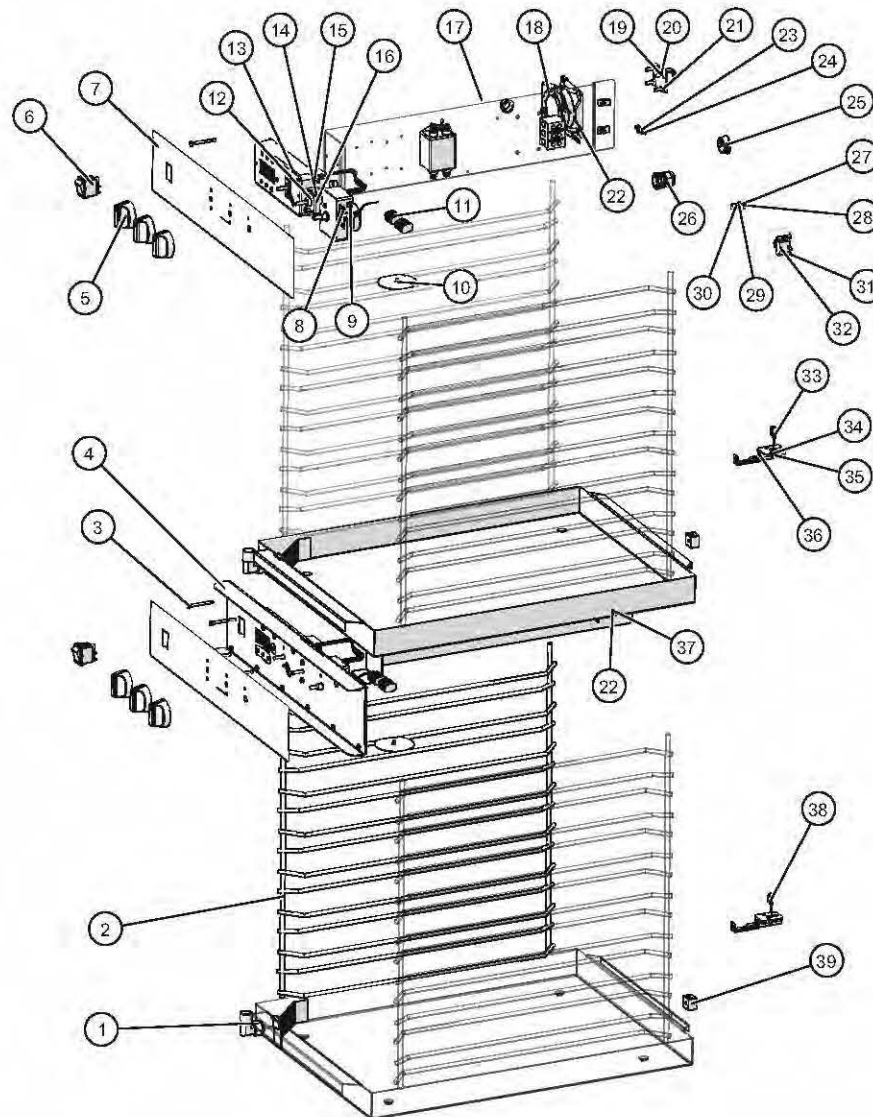
ID	Part No.	Description	Qty
1	EB-22701	EB-22701 ELBOW, configuration:Default	2
2	5005616	DRIP PAN WELD ASSBY	2
3	PE-48059	PANEL,OVERLAY,1000-SK MIDBNT	1
4	5022031	1000-SK/I 230V MID BONNET ASSY	1
5	CR-34646	CONNECTOR-5 CONDUCTOR	4
6	1006871	NON-PRODUCT PROBE SEAL	3
7	TR-34539	TIMER, 1HR, 208/240V, 50/60HZ,	1
8	NU-2296	NUT, HEX #8-32	2
9	TT-34910	THERMOSTAT,COOK POD,	1
10	KN-26568	KNOB, UNIBODY, T-STAT CONTROL	6
11	SW-38665	SWITCH,ROCKER,DPST,20A,125V,	1
12	PE-48057	PANEL,OVERLAY,1000-SK/I, SK/II	1
13	NU-22286	M4-0.7 HEX NUT 18-8	2
14	CC-34488	CONTROL, ELAN	1
15	CR-34559	CONNECTOR, DBL MALE / SINGLE FEMALE	2
16	CB-34945	CABLE, WIRE HARNESS, ELAN C&H,	1
17	5014319	CHASSIS , ELEC, 1000-SK/I 230V	1
18	FA-34524	FAN,3" BOX,230V,THERMAL PROTEC	3
19	PG-28439	PLUG, DOME, .187" HOLE	4
20	PG-25574	3/8" HOLE PLUG	2
21	NU-2215	NUT,10-32 UNF HEX MS,18-8 SST	4
22	BT-26684	BRACKET, TETHER.	1
23	SC-23868	SCREW,M5x0.8X20MM FLAT	4
24	SC-28142	SCREW,M4x0.7X45MM PAN	6
25	BU-3964	BUSHING,STRAIGHT,STRAIN RELIEF	1
26	PG-3325	1.125" HOLE PLUG	1
27	NU-22770	NUT, THREADED INSERT, M6	1
28	WS-22302	WASHER, SPLIT LOCK	2
29	WS-22297	WASHER, FLAT	2
30	SC-22924	HHCS, M6 X 20, W/NO MARKING	1
31	RI-38125	RIVET,SEALED, .125", GRIP RG .039-.118	2
32	SW-3528	20A,250V, DPST TOGGLE SWITCH	1
33	1012606	VOLTAGE SWITCH HOLDER,	1
34	SN-47162	SENSOR, 1000 OHM, 40" WIRE,	1
35	BK-29605	BLOCK, SENSOR, ELEC. CONTROL	2
36	SC-22271	SCREWS,M4-0.7X6MM PHIL	4
37	1493	GUARD SENSOR,W/MW	2
38	NU-38453	NUT,CLIP-ON,M4 X 0.7	10
39	SR-2266	S/S SIDE RACK	4
40	SN-38111	SENSOR, 1000 OHM, 110" WIRE,	1
41	BK-33546	BLOCK, 2 TERMINAL, PORCELAIN	2

Control Package "C," 1000-SK/I, 208-240V



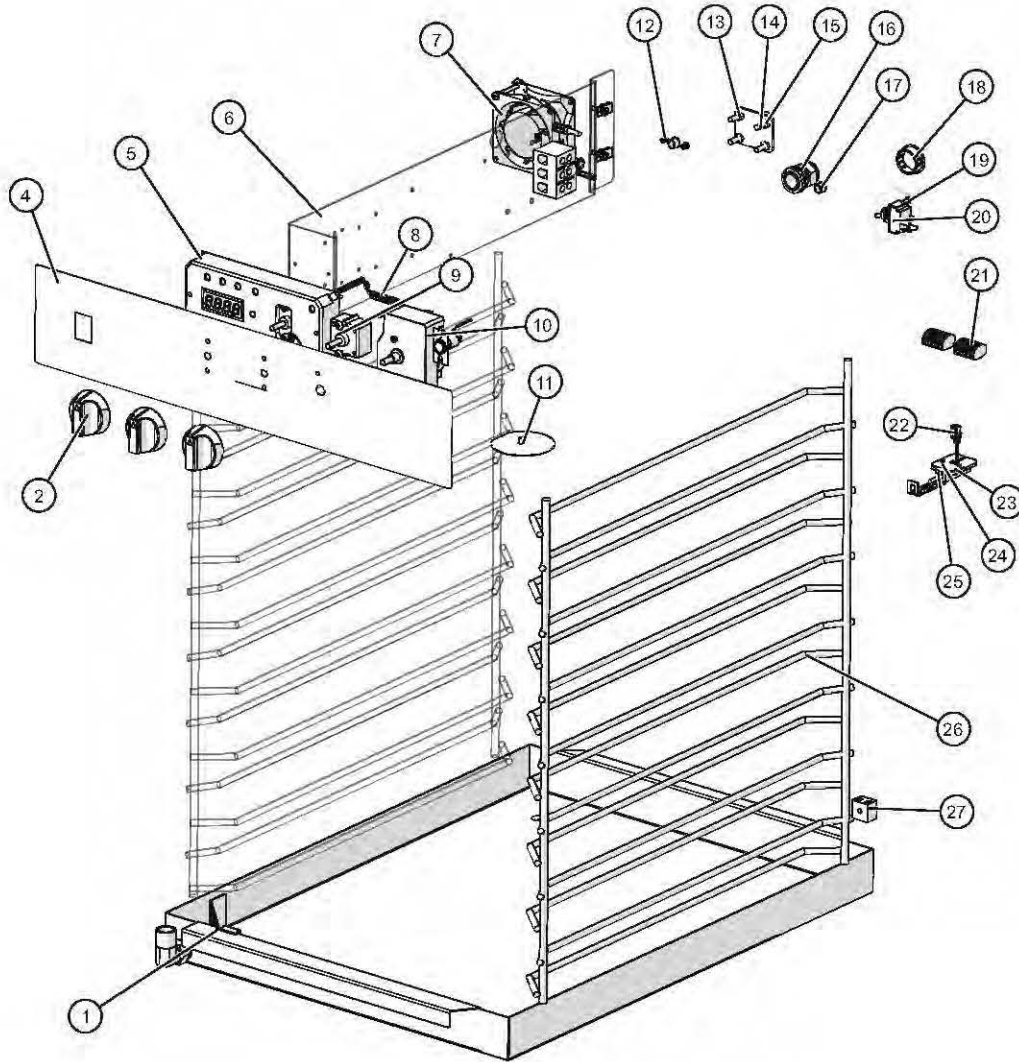
ID	Part No.	Description	Qty
1	5005616	DRIP PAN WELD ASSBY	2
2	5013230	1000-SK/I 250T MID BONNET ASSY	1
3	KN-26568	KNOB, UNIBODY, T-STAT CONTROL	3
4	SW-38665	SWITCH,ROCKER,DPST,20A,125V,	1
5	PE-48057	PANEL,OVERLAY,1000-SK/I, SK/II	1
6	SC-28142	SCREW,M4x0.7X45MM PAN	6
7	CC-34488R	CONTROL, ELAN	1
8	NU-22286	M4-0.7 HEX NUT 18-8	2
9	TT-34910	THERMOSTAT,COOK POD,	1
10	NU-2296	NUT, HEX #8-32	2
11	TR-34539	TIMER, 1HR, 208/240V, 50/60HZ,	1
12	1006871	NON-PRODUCT PROBE SEAL	2
13	CR-34646	CONNECTOR-5 CONDUCTOR	2
14	CB-34945	CABLE, WIRE HARNESS, ELAN C&H,	1
15	5014317	CHASSIS, ELEC,1000-SK 208-240V	1
16	FA-34524	FAN,3" BOX,230V,THERMAL PROTEC	3
17	SC-38240	SCREW,M4x0.7X16MM PAN	4
18	SC-23868	SCREW,M5x0.8X20MM FLAT	4
19	NU-2215	NUT,10-32 UNF HEX MS,18-8 SST	4
20	BT-26884	BRACKET, TETHER.	1
21	PG-3325	1.125" HOLE PLUG	1
22	PG-25574	3/8" HOLE PLUG	2
23	PG-28439	PLUG, DOME, .187" HOLE	4
24	BU-3964	BUSHING,STRAIGHT,STRAIN RELIEF	1
25	SW-3528	20A,250V, DPST TOGGLE SWITCH	1
26	RI-38125	RIVET,SEALED, .125", GRIP RG .039-.118	2
27	SN-47162	SENSOR, 1000 OHM, 40" WIRE,	1
28	1493	GUARD SENSOR,W/MW	2
29	SC-22271	SCREWS,M4-0.7X6MM PHIL	4
30	BK-29605	BLOCK, SENSOR, ELEC. CONTROL	2
31	NU-38453	NUT,CLIP-ON,M4 X 0.7	10
32	SR-2266	S/S SIDE RACK	4
33	SN-38111	SENSOR, 1000 OHM, 110" WIRE,	1
34	BK-33546	BLOCK, 2 TERMINAL, PORCELAIN	2
35	CR-34559	CONNECTOR, DBL MALE / SINGLE FEMALE	2

Control Package "D," 1000-SK/I, 230V



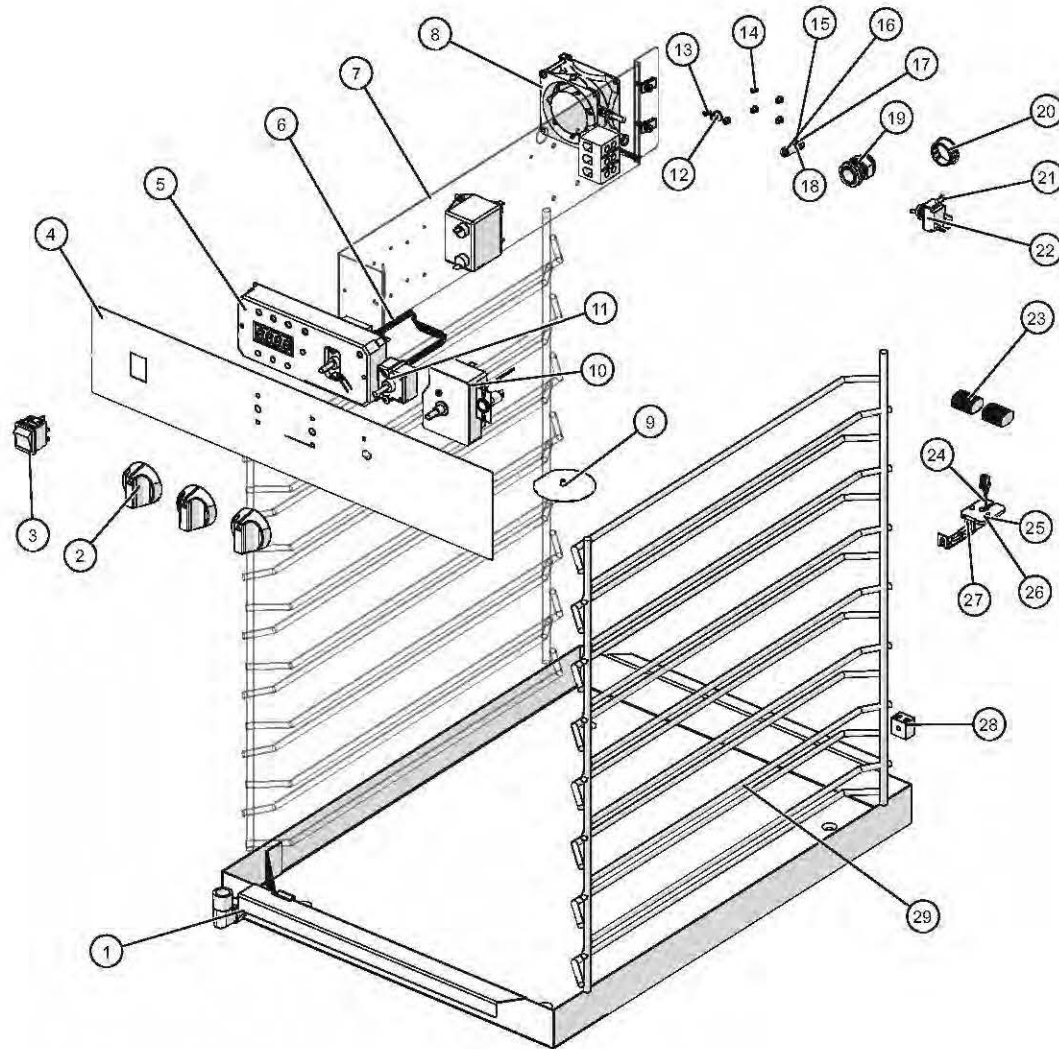
ID	Part No.	Description	Qty
1	5005616	DRIP PAN WELD ASSBY	2
2	SR-2266	S/S SIDE RACK	4
3	SC-28142	SCREW,M4x0.7X45MM PAN	6
4	5022031	1000-SK/I 230V MID BONNET ASSY	1
5	KN-26568	KNOB, UNIBODY, T-STAT CONTROL	6
6	SW-38665	SWITCH,ROCKER,DPST,20A,125V,	1
7	PE-48057	PANEL,OVERLAY,1000-SK/I, SK/II	1
8	NU-2296	NUT, HEX #8-32	2
9	TR-34539	TIMER, 1HR, 208/240V, 50/60HZ,	1
10	1006871	NON-PRODUCT PROBE SEAL	2
11	CR-34646	CONNECTOR-5 CONDUCTOR	4
12	TT-34910	THERMOSTAT,COOK POD,	1
13	CC-34488R	CONTROL, ELAN	1
14	NU-22286	M4-0.7 HEX NUT 18-8	2
15	CB-34945	CABLE, WIRE HARNESS, ELAN C&H,	1
16	CR-34559	CONNECTOR, DBL MALE / SINGLE FEMALE	2
17	5014319	CHASSIS , ELEC,1000-SK/I 230V	1
18	FA-34524	FAN,3" BOX,230V,THERMAL PROTEC	3
19	BT-26884	BRACKET, TETHER.	1
20	NU-2215	NUT,10-32 UNF HEX MS,18-8 SST	4
21	SC-23868	SCREW,M5x0.8X20MM FLAT	4
22	NU-38453	NUT,CLIP-ON,M4 X 0.7	10
23	PG-25574	3/8" HOLE PLUG	2
24	PG-28439	PLUG, DOME, .187" HOLE	4
25	PG-3325	1.125" HOLE PLUG	1
26	BU-3964	BUISHING,STRAIGHT,STRAIN RELIEF	1
27	WS-22302	WASHER, SPLIT LOCK	2
28	SC-22924	HHCS, M6 X 20, W/NO MARKING	1
29	WS-22297	WASHER, FLAT	2
30	NU-22770	NUT, THREADED INSERT, M6	1
31	RI-38125	RIVET,SEALED,.125", GRIP RG .039-.118	2
32	SW-3528	20A,250V, DPST TOGGLE SWITCH	1
33	SN-47162	SENSOR, 1000 OHM, 40" WIRE,	1
34	BK-29605	BLOCK, SENSOR, ELEC. CONTROL	2
35	SC-22271	SCREWS,M4-0.7X6MM PHIL	4
36	1493	GUARD SENSOR,W/MW	2
37	SC-38240	SCREW,M4x0.7X16MM PAN	2
38	SN-38111	SENSOR, 1000 OHM, 110" WIRE,	1
39	BK-33546	BLOCK, 2 TERMINAL, PORCELAIN	2

Control Package "A," 1000-SK/II, 208-240V



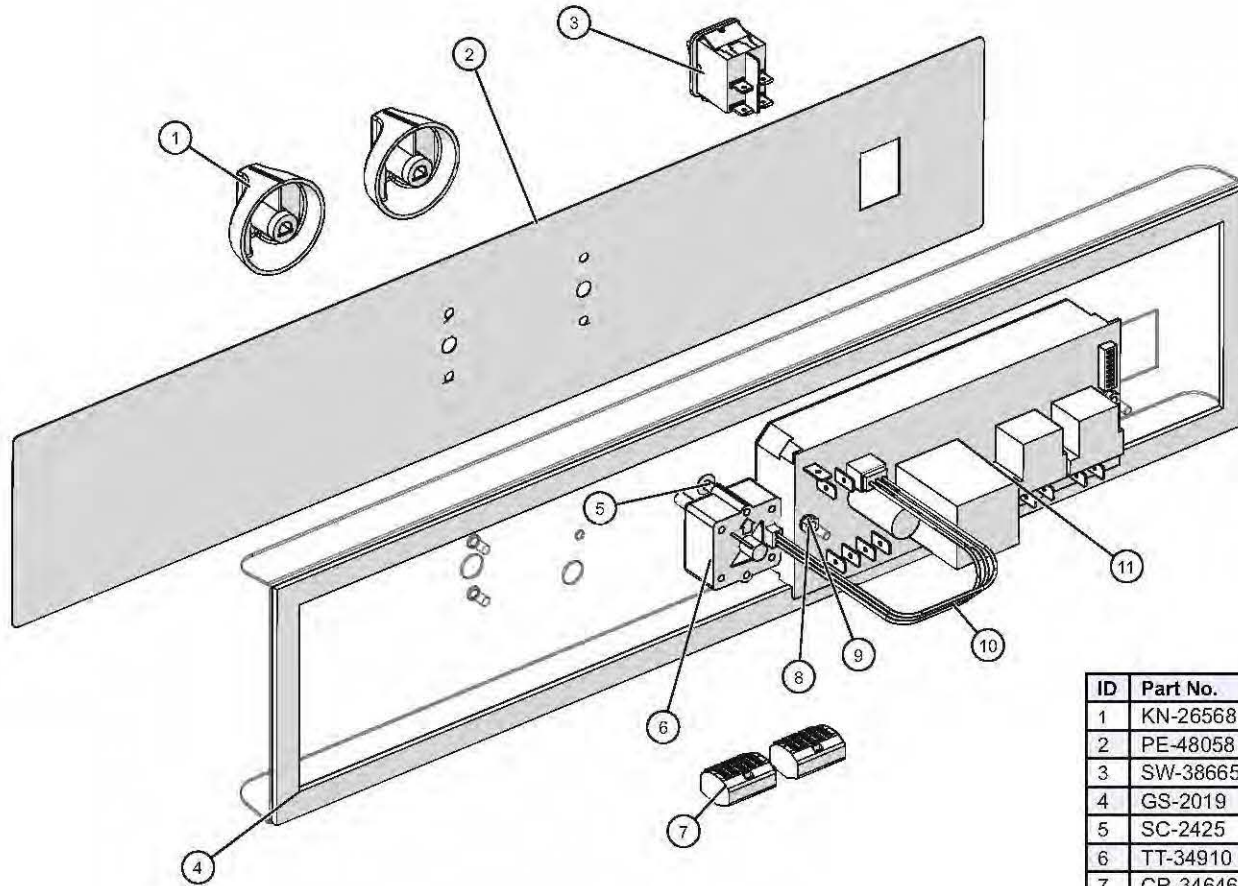
ID	Part No.	Description	Qty
1	5005616	DRIP PAN WELD ASSBY	1
2	KN-26568	KNOB, UNIBODY, T-STAT CONTROL	3
3	SW-38665	SWITCH,ROCKER,DPST,20A,125V,	1
4	PE-48057	PANEL,OVERLAY,1000-SK/I, SK/II	1
5	CC-34488R	CONTROL, ELAN	1
6	5014124	CHASSIS, ELEC 1000-SK 208/240	1
7	FA-34524	FAN,3" BOX,230V,THERMAL PROTEC	1
8	CB-34945	CABLE, WIRE HARNESS, ELAN C&H,	1
9	TT-34910	THERMOSTAT,COOK POD,	1
10	TR-34539	TIMER, 1HR, 208/240V, 50/60HZ,	1
11	1006871	NON-PRODUCT PROBE SEAL	1
12	PG-28439	PLUG, DOME, .187" HOLE	2
13	NU-2215	NUT,10-32 UNF HEX MS,18-8 SST	4
14	BT-26884	BRACKET, TETHER	1
15	SC-23868	SCREW,M5x0.8X20MM FLAT	4
16	BU-3964	BUSHING,STRAIGHT,STRAIN RELIEF	1
17	PG-25574	3/8" HOLE PLUG	2
18	PG-3325	1.125" HOLE PLUG	1
19	RI-38125	RIVET,SEALED,.125"	2
20	SW-3528	20A,250V, DPST TOGGLE SWITCH	1
21	CR-34646	CONNECTOR-5 CONDUCTOR	2
22	SN-38111	SENSOR, 1000 OHM, 110" WIRE,	1
23	BK-29605	BLOCK, SENSOR, ELEC. CONTROL	1
24	SC-22271	SCREWS,M4-0.7X6MM PHIL	2
25	1493	GUARD SENSOR,W/MW	1
26	SR-2266	S/S SIDE RACK	2
27	BK-33546	BLOCK, 2 TERMINAL, PORCELAIN	1

Control Package "B," 1000-SK/II, 230V



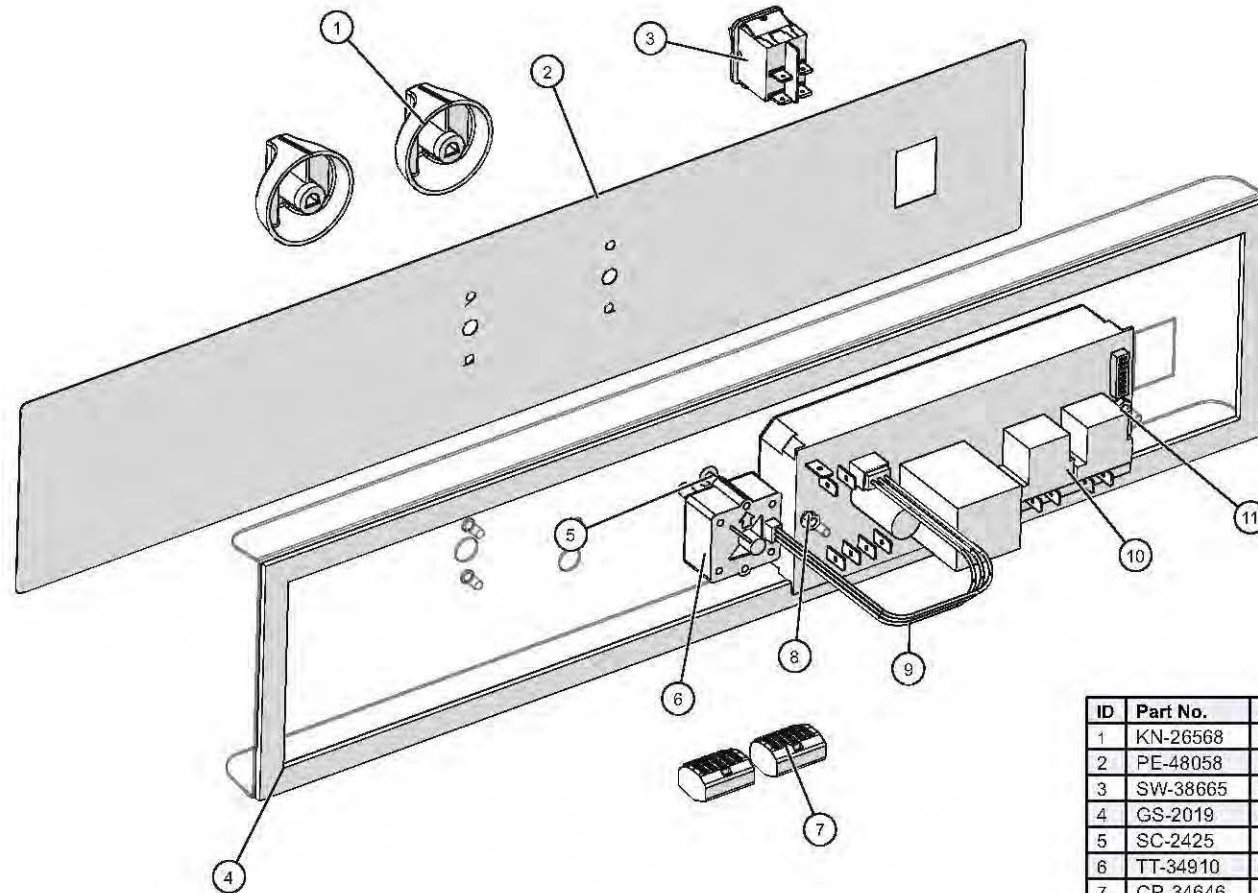
ID	Part No.	Description	Qty
1	5005616	DRIP PAN WELD ASSBY	1
2	KN-26568	KNOB, UNIBODY, T-STAT CONTROL	3
3	SW-38665	SWITCH,ROCKER,DPST,20A,125V,	1
4	PE-48057	PANEL,OVERLAY,1000-SK/I, SK/II	1
5	CC-34488R	CONTROL, ELAN	1
6	CB-34945	CABLE, WIRE HARNESS, ELAN C&H,	1
7	5014132	767-SK,1000-SK/II 230V ELEC CHASSIS	1
8	FA-34524	FAN,3" BOX,230V,THERMAL PROTEC	1
9	1006871	NON-PRODUCT PROBE SEAL	1
10	TR-34539	TIMER, 1HR, 208/240V, 50/60HZ,	1
11	TT-34910	THERMOSTAT,COOK POD,	1
12	PG-25574	3/8" HOLE PLUG	1
13	PG-28439	PLUG, DOME, .187" HOLE	2
14	PG-28439	PLUG, DOME, .187" HOLE	4
15	WS-22297	WASHER, FLAT	2
16	NU-22770	NUT, THREADED INSERT, M6	1
17	WS-22302	WASHER, SPLIT LOCK	2
18	SC-22924	HHCS, M6 X 20, W/NO MARKING	1
19	BU-3964	BUSHING,STRAIGHT,STRAIN RELIEF	1
20	PG-3325	1.125" HOLE PLUG	1
21	RI-38125	RIVET,SEALED,.125"	2
22	SW-3528	20A,250V, DPST TOGGLE SWITCH	1
23	CR-34646	CONNECTOR-5 CONDUCTOR	2
24	SN-38111	SENSOR, 1000 OHM, 110" WIRE,	1
25	SC-22271	SCREWS,M4-0.7X6MM PHIL	2
26	BK-29605	BLOCK, SENSOR, ELEC. CONTROL	1
27	1493	GUARD SENSOR,W/MW	1
28	BK-33546	BLOCK, 2 TERMINAL, PORCELAIN	1
29	SR-2266	S/S SIDE RACK	2

Mid-Bonnet Assembly, 1000-TH/I



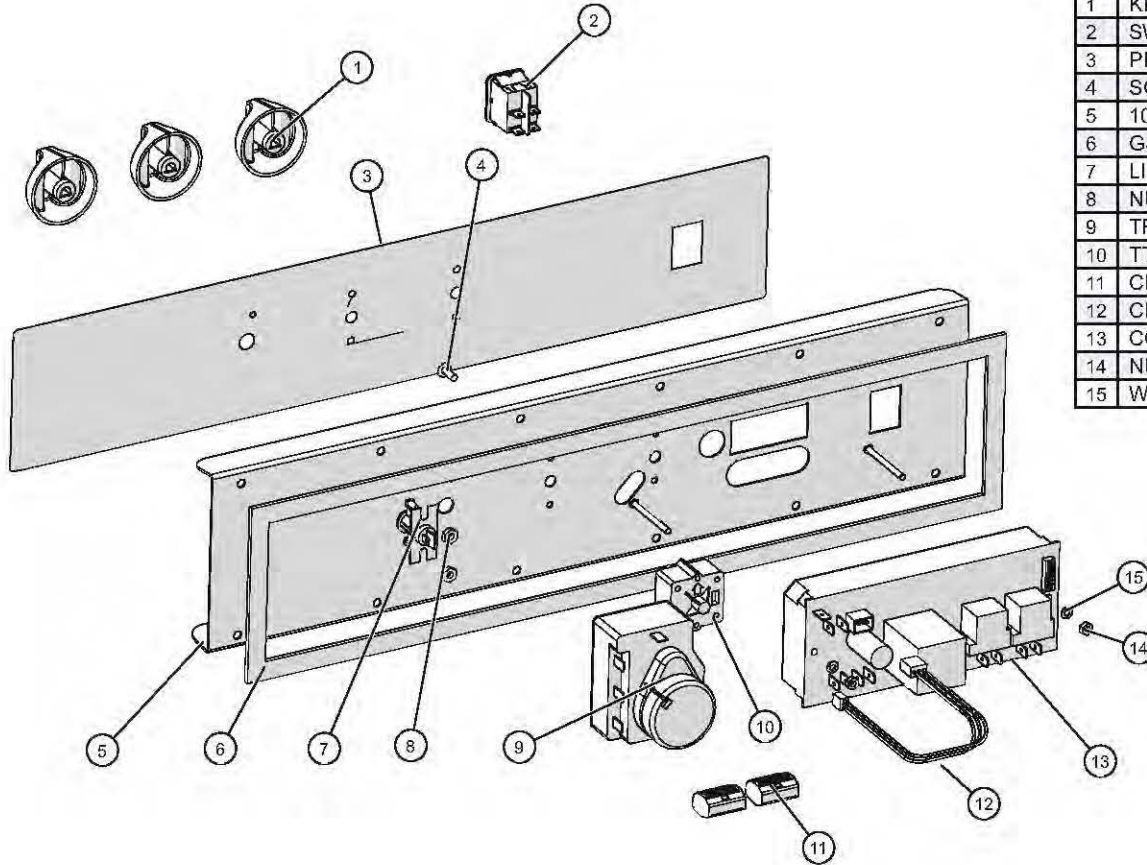
ID	Part No.	Description	Qty
1	KN-26568	KNOB, UNIBODY, T-STAT CONTROL	2
2	PE-48058	PANEL, MIDBONNET OVERLAY, 1000	1
3	SW-38665	SWITCH, ROCKER, DPST, 20A, 125V,	1
4	GS-2019	GASKET, TAPE 1/2"Wx 54" DBL COATED	1
5	SC-2425	8-32 x 1/2" PHIL SCREW	2
6	TT-34910	THERMOSTAT, COOK POD,	1
7	CR-34646	CONNECTOR-5 CONDUCTOR	2
8	NU-22286	M4-0.7 HEX NUT 18-8	2
9	WS-22300	WASHER, SPLIT LOCK	2
10	CB-34945	CABLE, WIRE HARNESS, ELAN C&H,	1
11	CC-34488R	CONTROL, ELAN	1

Mid-Bonnet Assembly, 1000-TH/I 230V



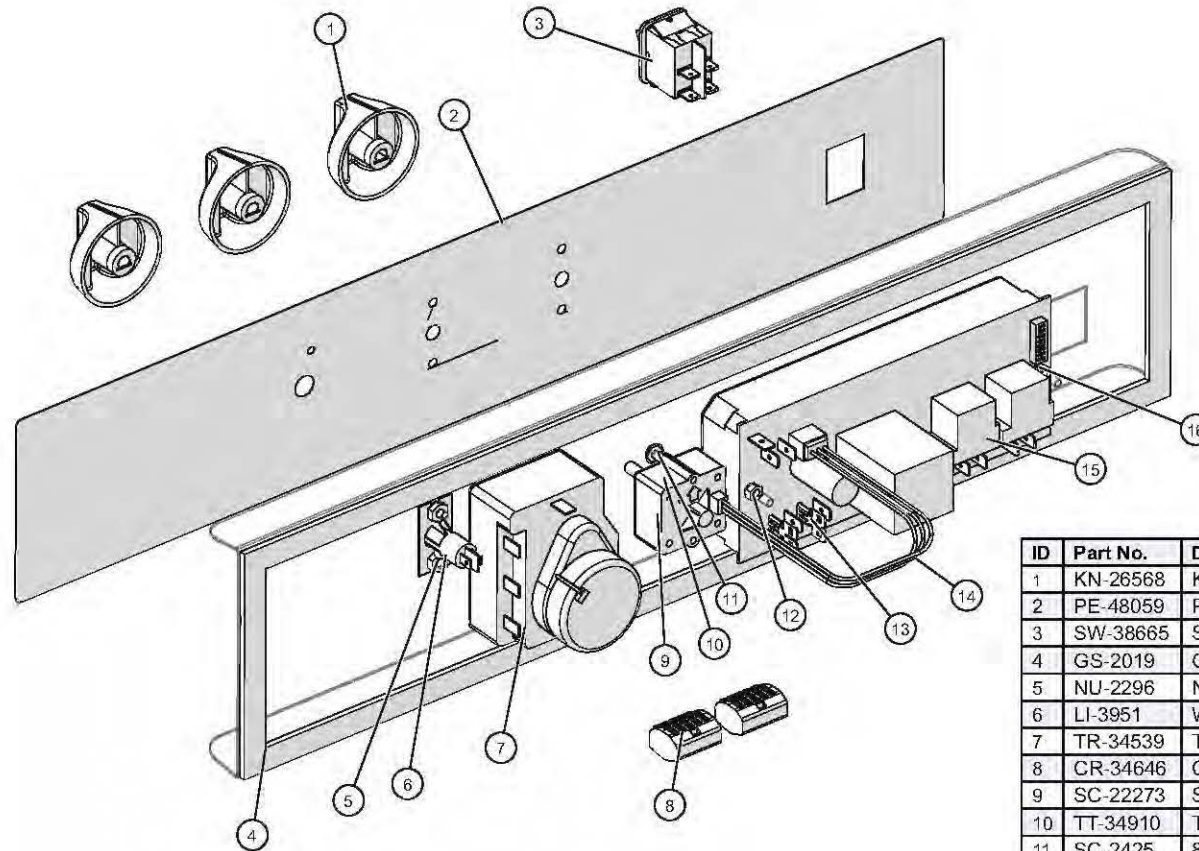
ID	Part No.	Description	Qty
1	KN-26568	KNOB, UNIBODY, T-STAT CONTROL	2
2	PE-48058	PANEL, MIDBONNET OVERLAY, 1000	1
3	SW-38665	SWITCH, ROCKER, DPST, 20A, 125V,	1
4	GS-2019	GASKET, TAPE 1/2"Wx 54" DBL COATED	1
5	SC-2425	8-32 x 1/2" PHIL SCREW	2
6	TT-34910	THERMOSTAT, COOK POD,	1
7	CR-34646	CONNECTOR-5 CONDUCTOR	2
8	WS-22300	WASHER, SPLIT LOCK	2
9	CB-34945	CABLE, WIRE HARNESS, ELAN C&H,	1
10	CC-34488R	CONTROL, ELAN	1
11	NU-22286	M4-0.7 HEX NUT 18-8	2

Mid-Bonnet Assembly, 1000-SK/I 208-240V



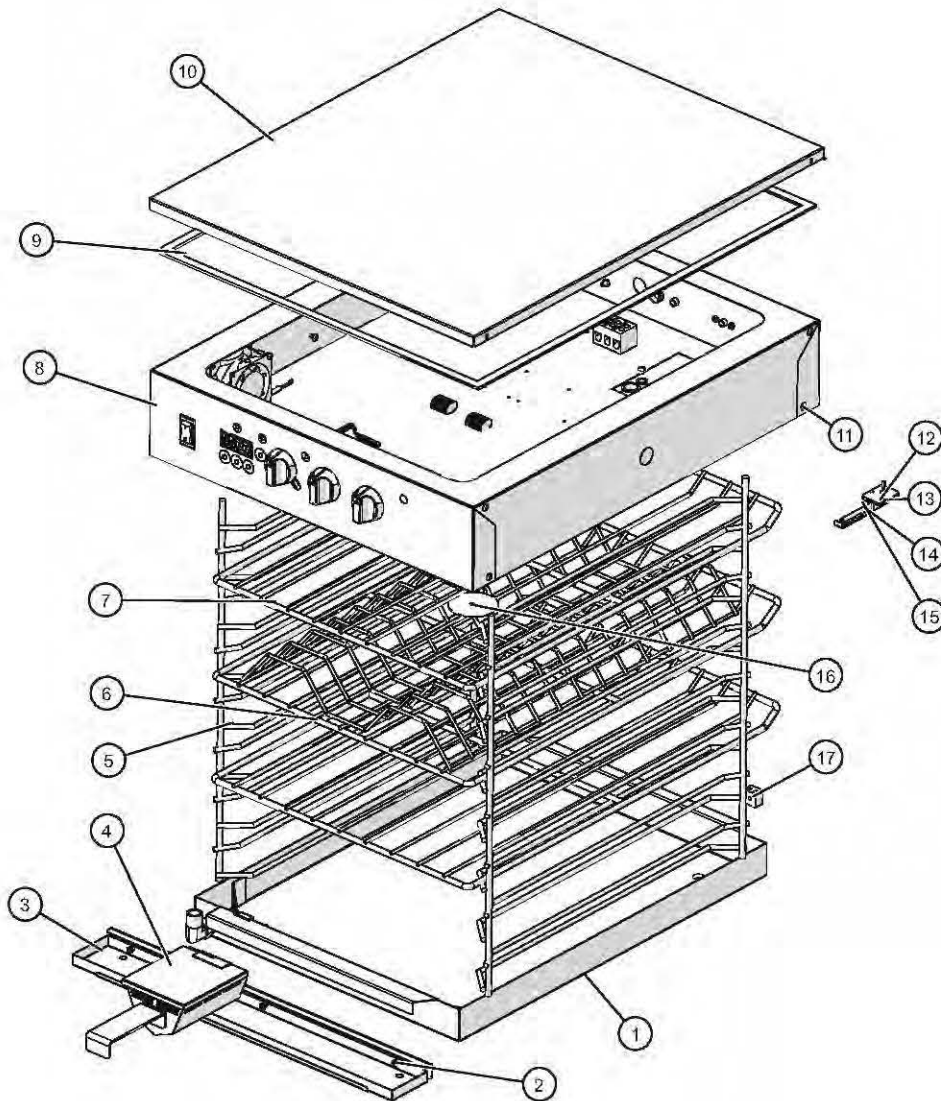
ID	Part No.	Description	Qty
1	KN-26568	KNOB, UNIBODY, T-STAT CONTROL	3
2	SW-38665	SWITCH,ROCKER,DPST,20A,125V,	1
3	PE-48059	PANEL,OVERLAY,1000-SK MIDBNT	1
4	SC-2425	8-32 x 1/2" PHIL SCREW	2
5	1038364	1000 THI ELAN CONTROL	1
6	GS-23622	GASKET, BLACK @ 51"	1
7	LI-3951	WHITE PILOT LIGHT 250V	1
8	NU-2296	NUT, HEX #8-32	2
9	TR-34539	TIMER, 1HR, 208/240V, 50/60HZ,	1
10	TT-34910	THERMOSTAT,COOK POD,	1
11	CR-34646	CONNECTOR-5 CONDUCTOR	2
12	CB-34945	CABLE, WIRE HARNESS, ELAN C&H,	1
13	CC-34488	CONTROL, ELAN	1
14	NU-22286	M4-0.7 HEX NUT 18-8	2
15	WS-22300	WASHER, SPLIT LOCK	2

Mid-Bonnet Assembly, 1000-SK/I, 230V



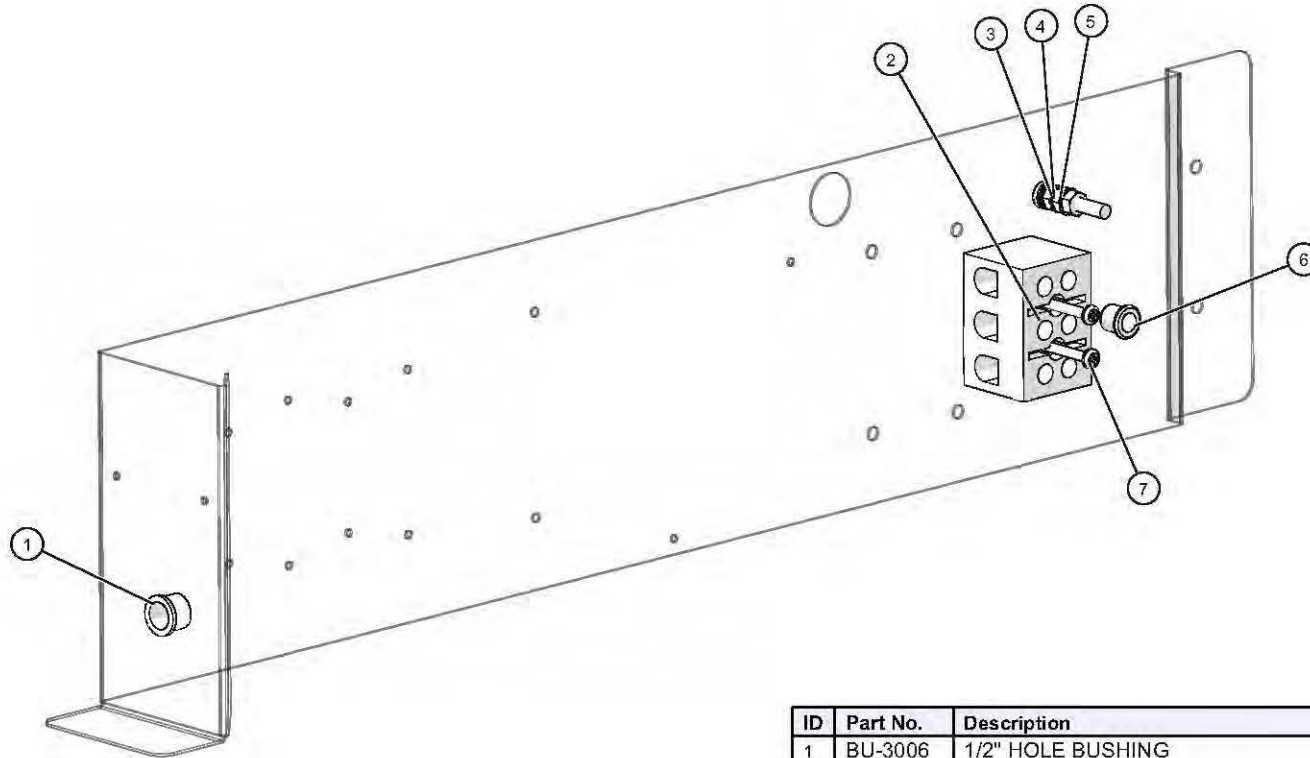
ID	Part No.	Description	Qty
1	KN-26568	KNOB, UNIBODY, T-STAT CONTROL	3
2	PE-48059	PANEL, OVERLAY, 1000-SK MIDBNT	1
3	SW-38665	SWITCH, ROCKER, DPST, 20A, 125V,	1
4	GS-2019	GASKET, TAPE 1/2"Wx 54" DBL COATED	1
5	NU-2296	NUT, HEX #8-32	2
6	LI-3951	WHITE PILOT LIGHT 250V	1
7	TR-34539	TIMER, 1HR, 208/240V, 50/60HZ,	1
8	CR-34646	CONNECTOR-5 CONDUCTOR	2
9	SC-22273	SCREW, M4x0.7X10MM PAN	2
10	TT-34910	THERMOSTAT, COOK POD,	1
11	SC-2425	8-32 x 1/2" PHIL SCREW	2
12	NU-22286	M4-0.7 HEX NUT 18-8	2
13	CR-34559	CONNECTOR, DBL MALE / SINGLE FEMALE	2
14	CB-34945	CABLE, WIRE HARNESS, ELAN C&H,	1
15	CC-34488R	CONTROL, ELAN	1
16	WS-22300	WASHER, SPLIT LOCK	2

Bonnet Package "A," 1000-SK/II



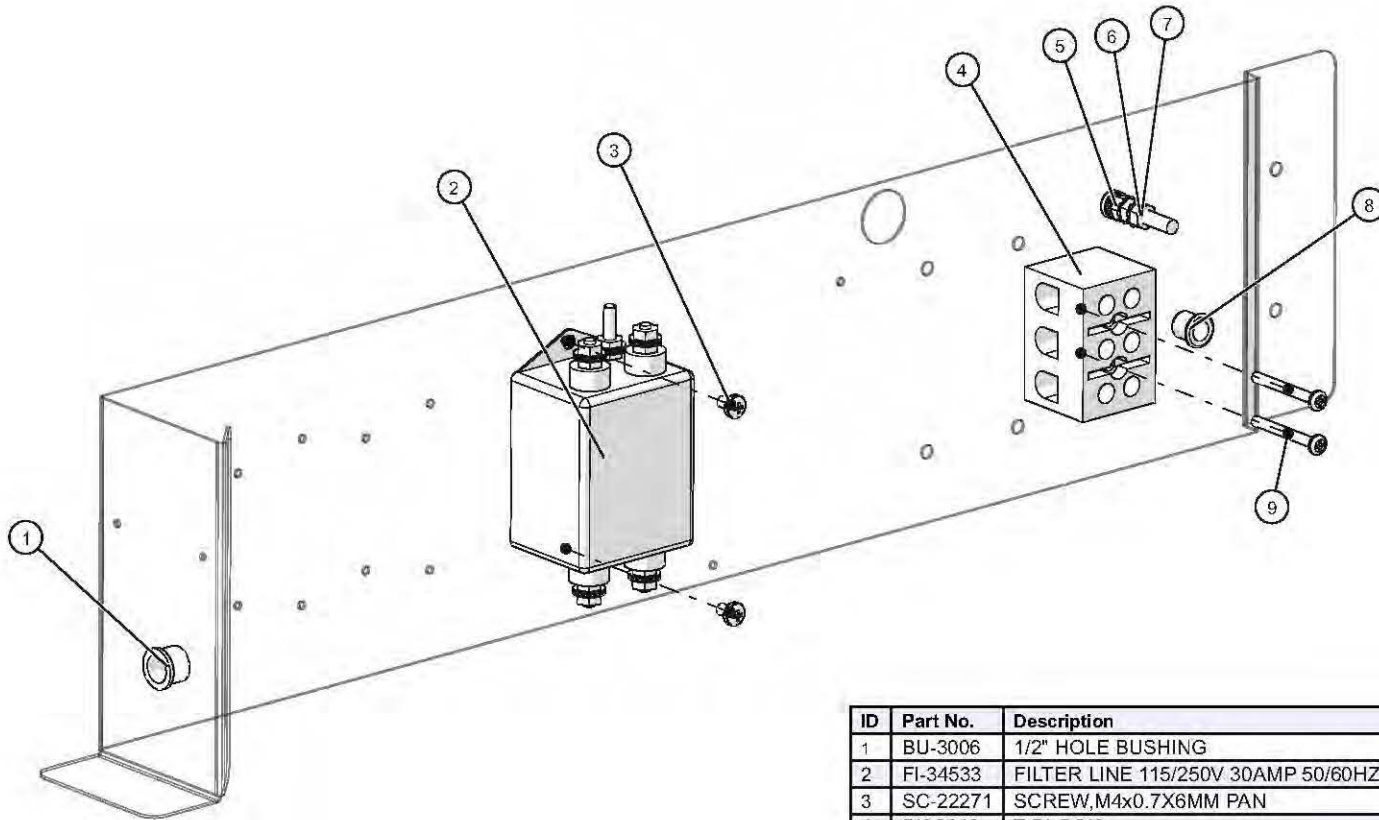
ID	Part No.	Description	Qty
1	5005616	DRIP PAN WELD ASSBY	1
2	SC-22271	SCREW,M4x0.7X6MM PAN	2
3	5009716	1000-TH DRIP TRAY KIT	1
4	4652	CHIP TRAY WELD	1
5	SR-2266	S/S SIDE RACK	2
6	SH-29474	SHELF, RIB RACK, S/S, 1000-SK	1
7	SH-2325	SHELF, S/S, 1000-TH OR -SK	2
8	5012758	1000-SK/II, 208/240V BONNET ASSB	1
9	GS-23622	GASKETS,,ADHESIVE,,125X.375	1
10	1011668	1000-TH ELAN C&H TOP COVER	1
11	SC-2459	8-32 x 1/4" PHIL SCREW	9
12	BK-29606	ELAN CONTROL SENSOR BLOCK	1
13	SC-22271	SCREWS,M4-0.7X6MM PHIL	2
14	1008272	BRACKET, SENSOR MTG.	1
15	PR-34494	PROBE, ELAN CONTROL CC-34488	1
16	1006871	NON-PRODUCT PROBE SEAL	1
17	BK-33546	BLOCK, 2 TERMINAL, PORCELAIN	1

Electrical Chassis Assembly, 1000-TH/I, 208-240V



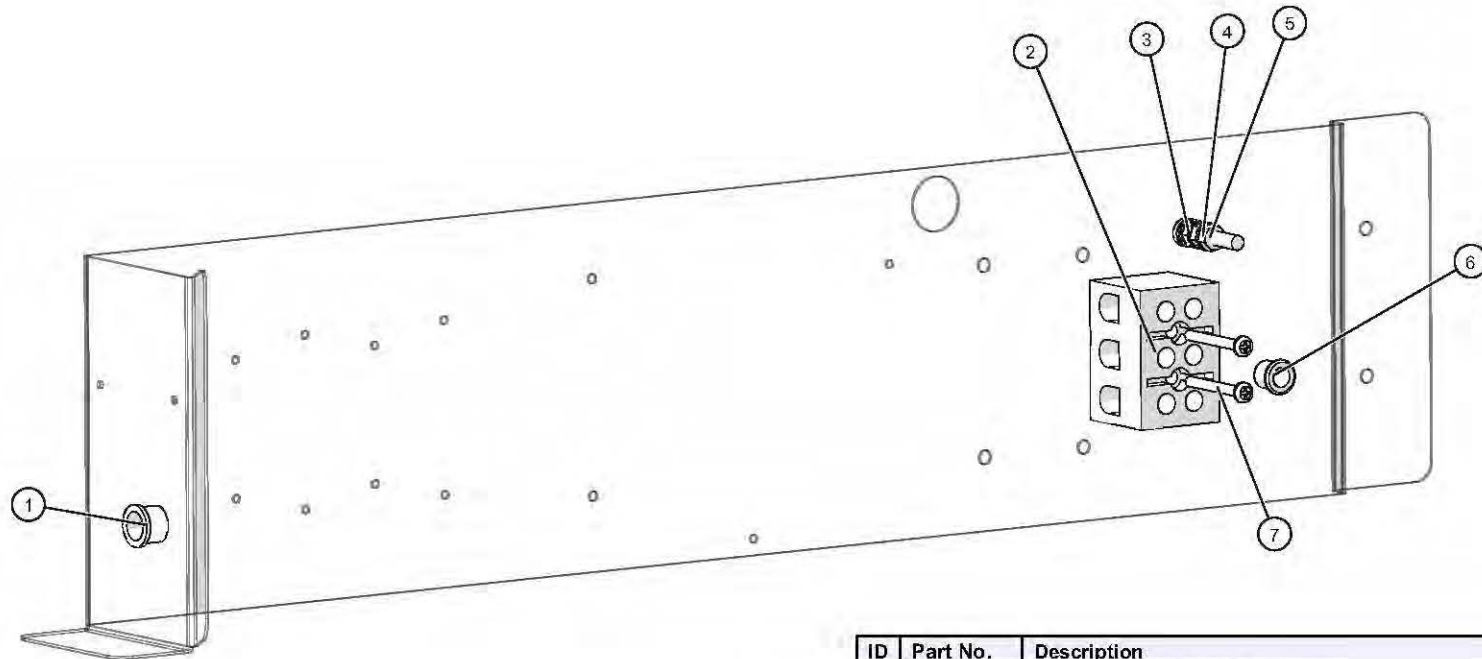
ID	Part No.	Description	Qty
1	BU-3006	1/2" HOLE BUSHING	1
2	BK-3019	T-BLOCK	1
3	SC-38128	SCREW,PAN PH, METRIC, M5	1
4	WS-2467	WASHER, INT. LOCK	1
5	NU-36234	NUT, M5, KEPS	3
6	BU-3419	3/8" BLACK HOLE BUSHING	1
7	SC-2365	SCREW,6-32X1-1/4,NC PHILLIPS	2
8	5012254	1000-TH/I, 1767-SK 208-240V ELAN MAIN WIRE SET (NOT SHOWN)	1
9	5012256	1000-TH/I, 1767-SK 208/240V SECONDARY WIRE SET (NOT SHOWN)	1

Electrical Chassis Assembly, 1000-TH/I, 230V



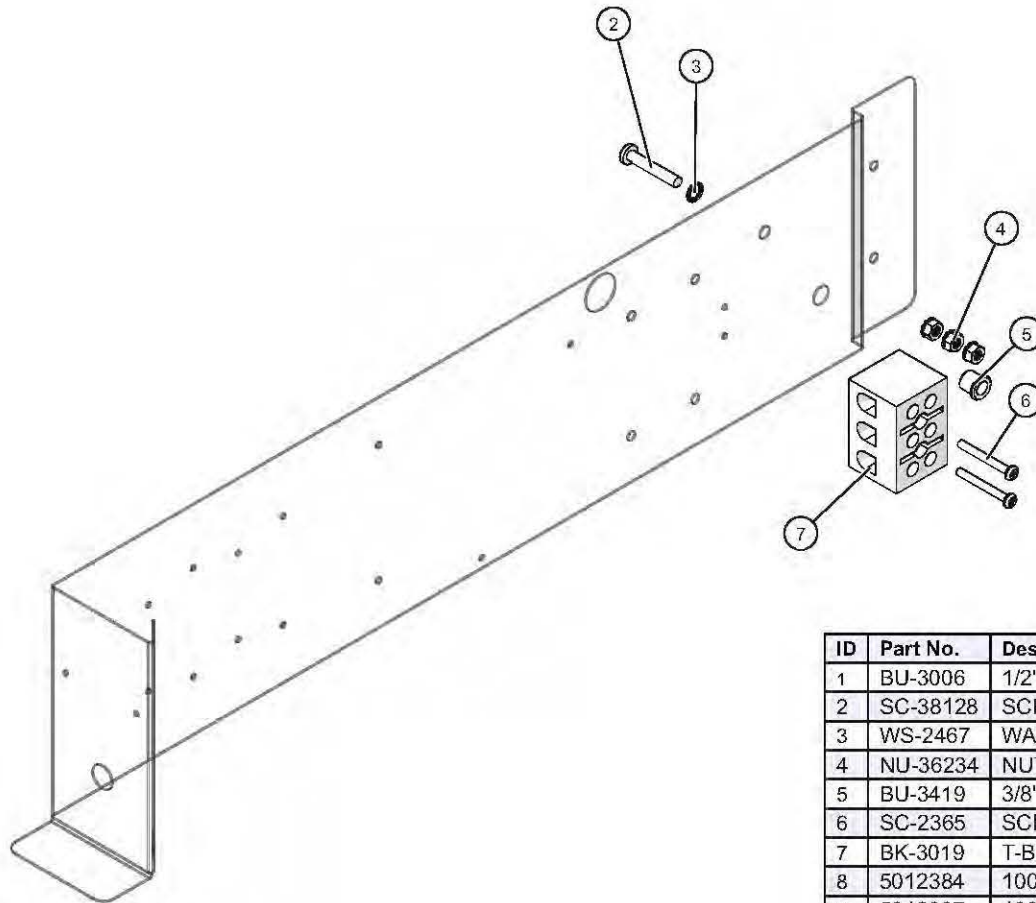
ID	Part No.	Description	Qty
1	BU-3006	1/2" HOLE BUSHING	1
2	FI-34533	FILTER LINE 115/250V 30AMP 50/60HZ	1
3	SC-22271	SCREW,M4x0.7X6MM PAN	2
4	BK-3019	T-BLOCK	1
5	WS-2467	WASHER, INT. LOCK	1
6	SC-38128	SCREW,PAN PH, METRIC, M5	1
7	NU-36234	NUT, M5, KEPS	3
8	BU-3419	3/8" BLACK HOLE BUSHING	1
9	SC-2365	SCREW,6-32X1-1/4,NC PHILLIPS	2
10	5012254	1000-TH/I, 1767-SK 208-240V ELAN MAIN WIRE SET (NOT SHOWN)	1
11	5012260	1000-TH/I, 1767-SK 230V WIRE SET (NOT SHOWN)	1

Electrical Chassis Assembly, 1000-TH/II, 120V



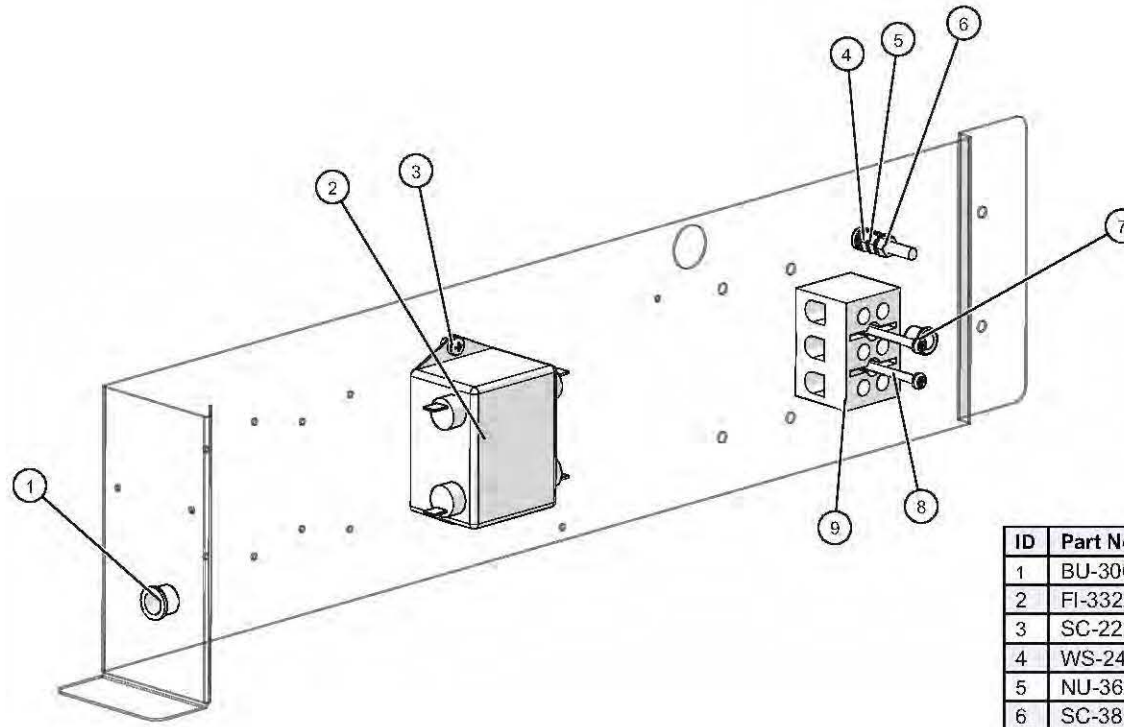
ID	Part No.	Description	Qty
1	BU-3006	1/2" HOLE BUSHING	1
2	BK-3019	T-BLOCK	1
3	WS-2467	WASHER, INT. LOCK	1
4	NU-36234	NUT, M5, KEPS	3
5	SC-38128	SCREW,PAN PH, METRIC, M5	1
6	BU-3419	3/8" BLACK HOLE BUSHING	1
7	SC-2365	SCREW,6-32X1-1/4,NC PHILLIPS	2
8	5012383	1000-TH2 SK2 ELAN WIRE SET 120V (not shown)	1

Electrical Chassis Assembly, 1000-TH/II, 208-240V



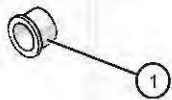
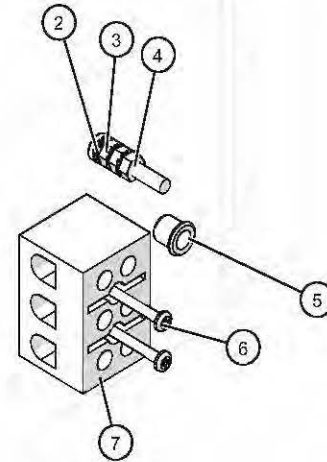
ID	Part No.	Description	Qty
1	BU-3006	1/2" HOLE BUSHING	1
2	SC-38128	SCREW,PAN PH, METRIC, M5	1
3	WS-2467	WASHER, INT. LOCK	1
4	NU-36234	NUT, M5, KEPS	3
5	BU-3419	3/8" BLACK HOLE BUSHING	1
6	SC-2365	SCREW,6-32X1-1/4,NC PHILLIPS	2
7	BK-3019	T-BLOCK	1
8	5012384	1000-TH2 MAIN WIRE SET (not shown)	1
9	5012387	1000-TH2 SECONDARY WIRE SET (not shown)	1

Electrical Chassis Assembly, 1000-TH/II, 230V



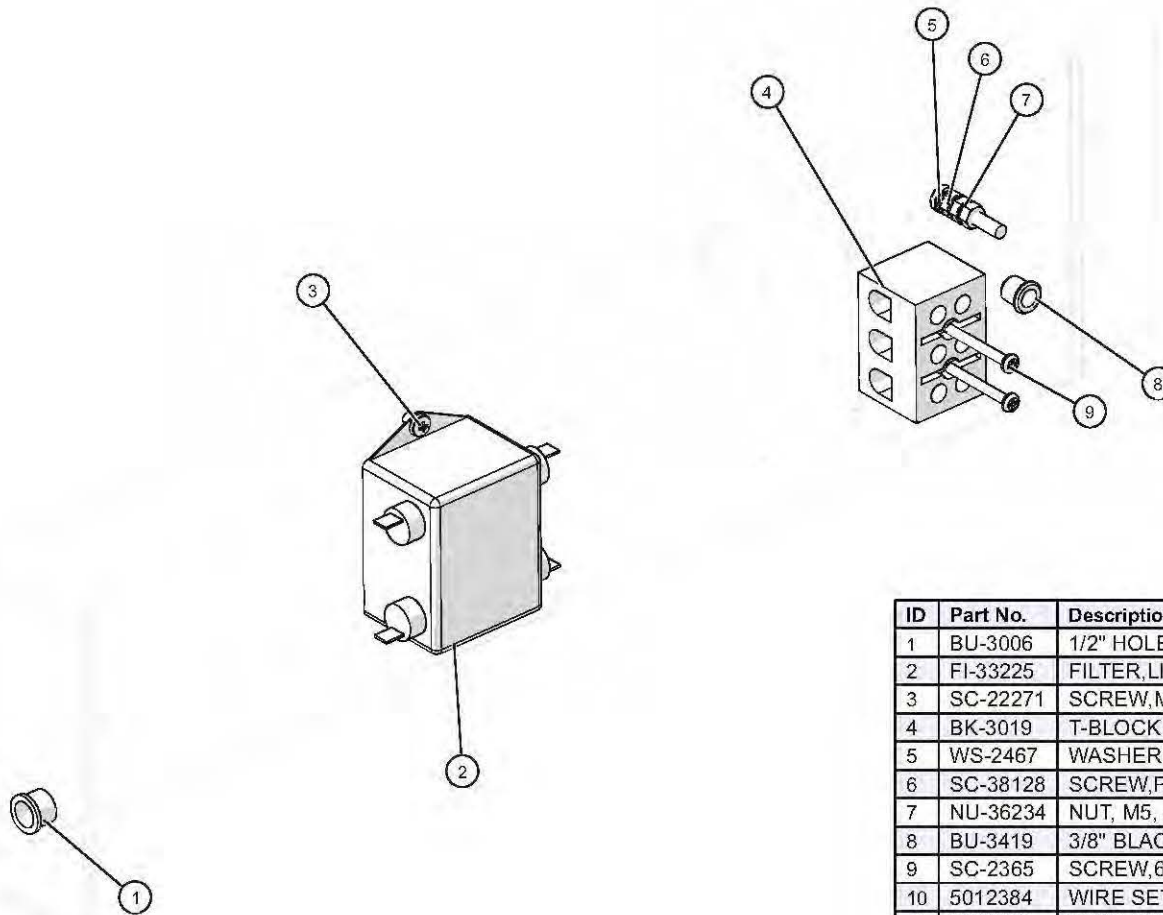
ID	Part No.	Description	Qty
1	BU-3006	1/2" HOLE BUSHING	1
2	FI-33225	FILTER,LINE, 115/250V,50/60HZ	1
3	SC-22271	SCREW,M4x0.7X6MM PAN	2
4	WS-2467	WASHER, INT. LOCK	1
5	NU-36234	NUT, M5, KEPS	3
6	SC-38128	SCREW,PAN PH, METRIC, M5	1
7	BU-3419	3/8" BLACK HOLE BUSHING	1
8	SC-2365	SCREW,6-32X1-1/4,NC PHILLIPS	2
9	BK-3019	T-BLOCK	1
10	5012384	WIRE SET, MAIN, 208-240V (not shown)	1
11	5012385	WIRE SET, SECONDARY, 230V (not shown)	1

Electrical Chassis Assembly, 1000-SK, 208-240V



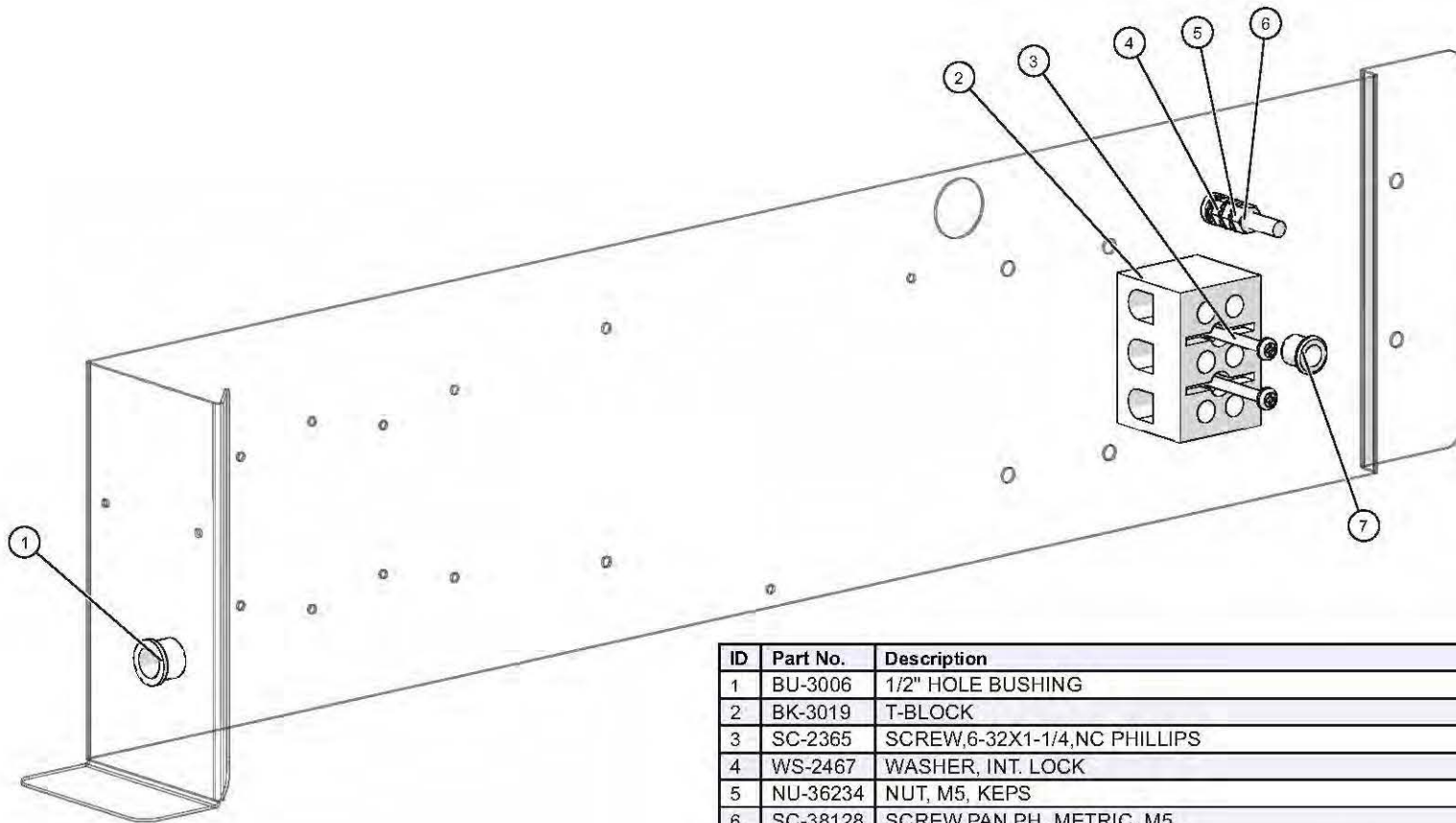
ID	Part No.	Description	Qty
1	BU-3006	1/2" HOLE BUSHING	1
2	WS-2467	WASHER, INT. LOCK	1
3	SC-38128	SCREW,PAN PH, METRIC, M5	1
4	NU-36234	NUT, M5, KEPS	3
5	BU-3419	3/8" BLACK HOLE BUSHING	1
6	SC-2365	SCREW,6-32X1-1/4,NC PHILLIPS	2
7	BK-3019	T-BLOCK	1
8	5012384	WIRESET, MAIN, 208-240V (not shown)	1
9	5012387	208/240V ELAN SECONDARY WIRESET (not shown)	1
10	5012386	767-SK,1000-SK/II SMKR WIRESET (not shown)	1

Electrical Chassis Assembly, 1000-SK, 230V



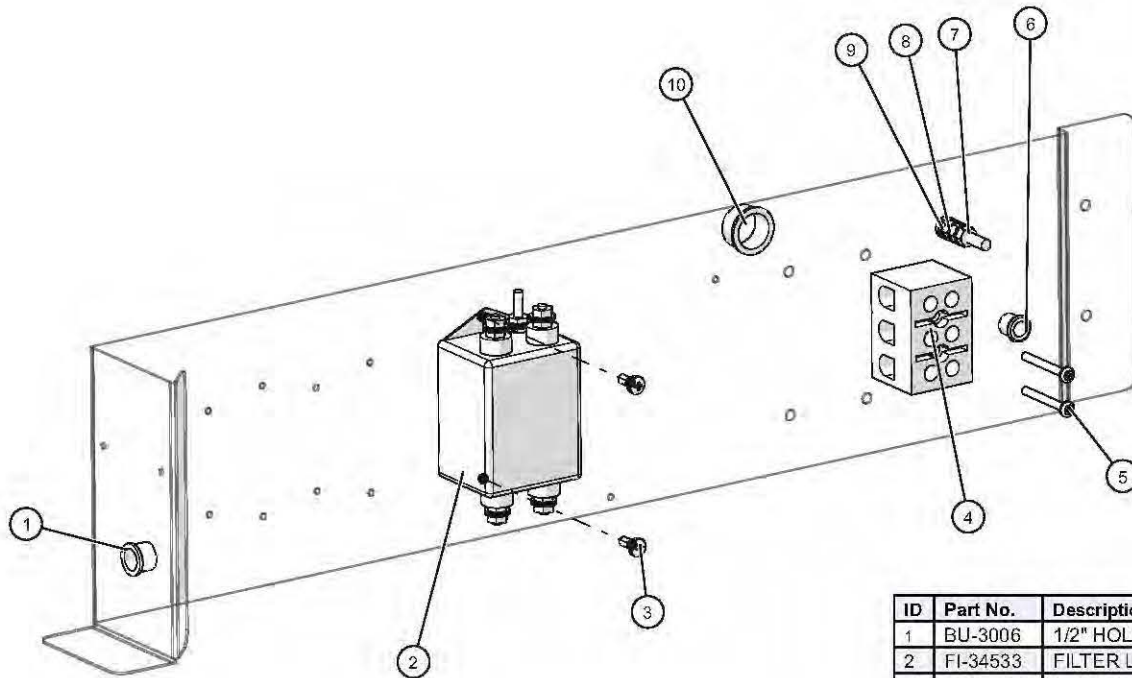
ID	Part No.	Description	Qty
1	BU-3006	1/2" HOLE BUSHING	1
2	FI-33225	FILTER, LINE, 115/250V, 50/60HZ	1
3	SC-22271	SCREW, M4x0.7X6MM PAN	2
4	BK-3019	T-BLOCK	1
5	WS-2467	WASHER, INT. LOCK	1
6	SC-38128	SCREW, PAN PH, METRIC, M5	1
7	NU-36234	NUT, M5, KEPS	3
8	BU-3419	3/8" BLACK HOLE BUSHING	1
9	SC-2365	SCREW, 6-32X1-1/4, NC PHILLIPS	2
10	5012384	WIRE SET, MAIN, 208-240V (not shown)	1
11	5012385	WIRE SET, SECONDARY, 230V (not shown)	1
12	5012386	767-SK, 1000-SK/II SMKR WIRESET (not shown)	1

Electrical Chassis Assembly, 1000-SK/I, 208-240V



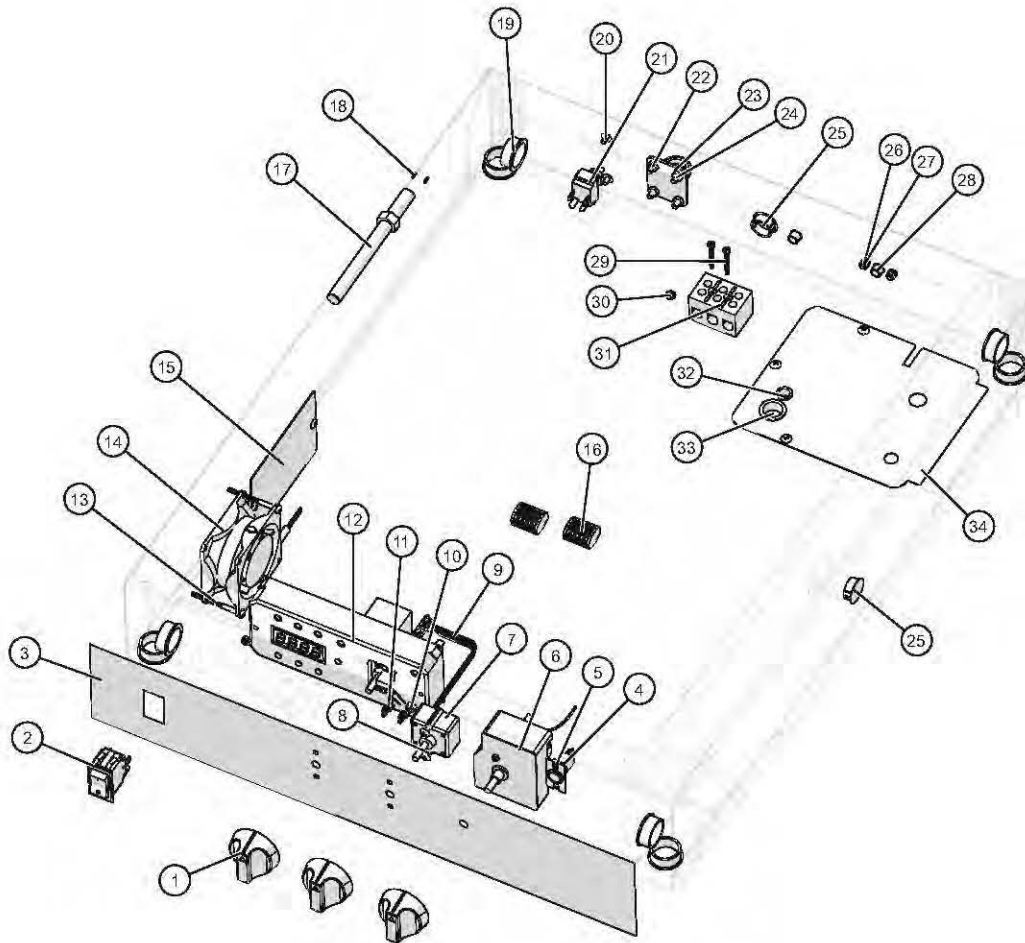
ID	Part No.	Description	Qty
1	BU-3006	1/2" HOLE BUSHING	1
2	BK-3019	T-BLOCK	1
3	SC-2365	SCREW,6-32X1-1/4,NC PHILLIPS	2
4	WS-2467	WASHER, INT. LOCK	1
5	NU-36234	NUT, M5, KEPS	3
6	SC-38128	SCREW,PAN PH, METRIC, M5	1
7	BU-3419	3/8" BLACK HOLE BUSHING	1
8	5012254	1000-TH/I, 1767-SK 208-240V ELAN MAIN WIRE SET (NOT SHOWN)	1
9	5012256	1000-TH/I, 1767-SK 208/240V SECONDARY WIRE SET (NOT SHOWN)	1
10	5012259	ELAN CONTROLLED C&H SMOKER WIRE SET (NOT SHOWN)	1

Electrical Chassis Assembly, 1000-SK/I, 230V



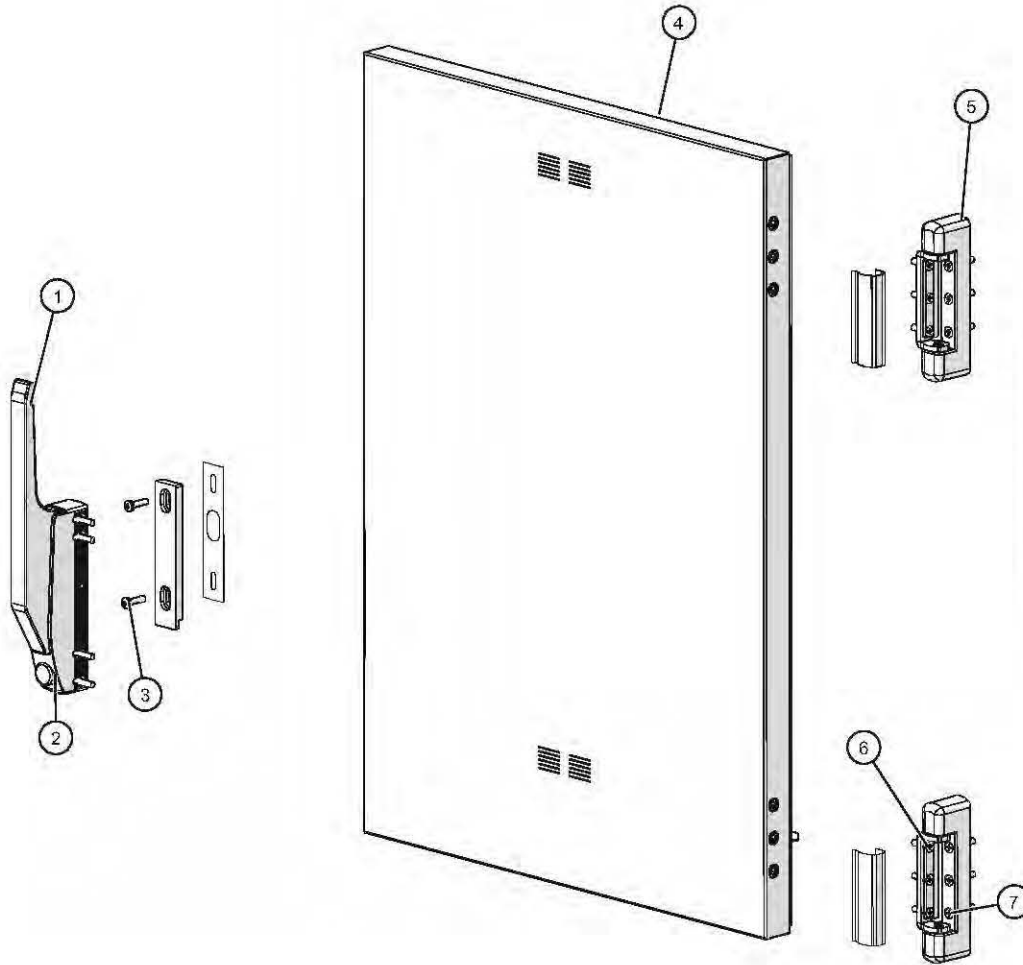
ID	Part No.	Description	Qty
1	BU-3006	1/2" HOLE BUSHING	1
2	FI-34533	FILTER LINE 115/250V 30AMP 50/60HZ	1
3	SC-22273	SCREW,M4x0.7X10MM PAN	2
4	BK-3019	T-BLOCK	1
5	SC-2365	SCREW,6-32X1-1/4,NC PHILLIPS	2
6	BU-3419	3/8" BLACK HOLE BUSHING	1
7	NU-36234	NUT, M5, KEPS	3
8	SC-38128	SCREW,PAN PH, METRIC, M5	1
9	WS-2467	WASHER, INT. LOCK	1
10	BU-3008	3/4" WHITE SNAP BUSHING	1
11	5012254	1000-TH/I, 1767-SK 208-240V ELAN MAIN WIRE SET (not shown)	1
12	5012259	ELAN CONTROLLED C&H SMOKER WIRE SET (not shown)	1
13	5012260	1000-TH/I, 1767-SK 230V WIRE SET (not shown)	1

Chassis Bonnet Assembly, 1000-SK/II, 208-240V



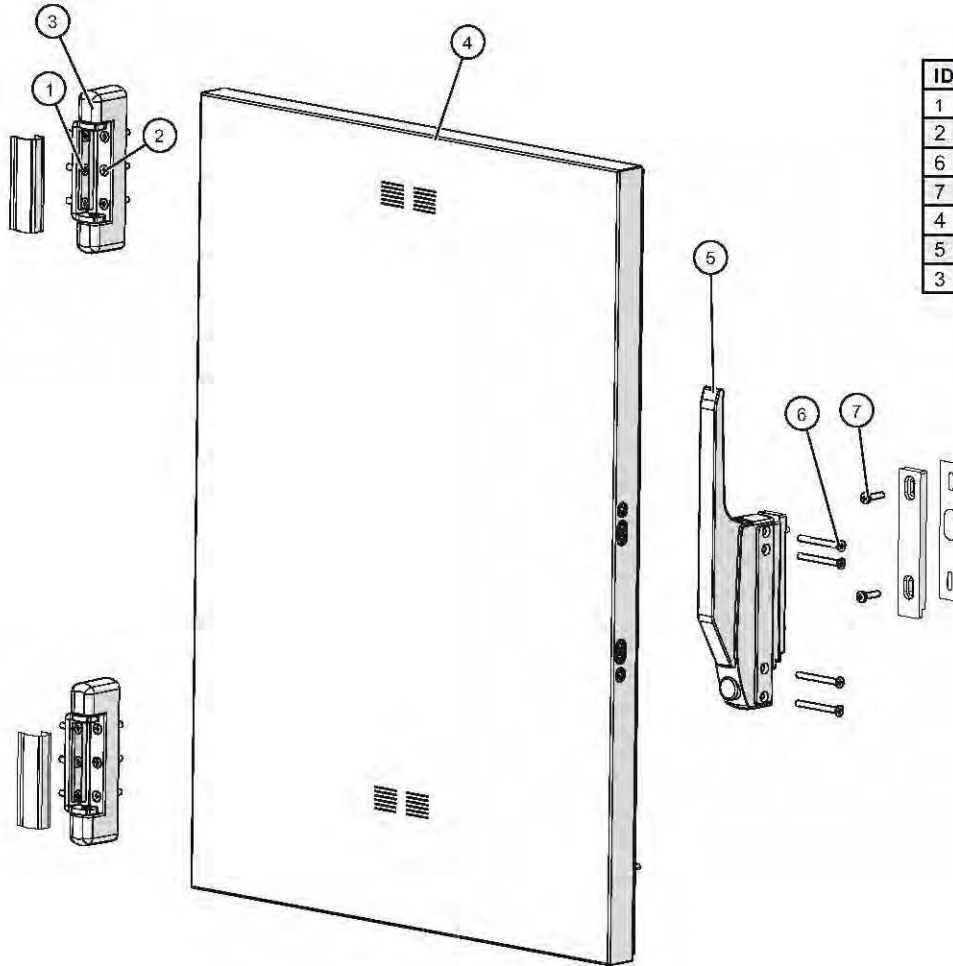
ID	Part No.	Description	Qty
1	KN-26568	KNOB, UNIBODY, T-STAT CONTROL	3
2	SW-34769	SWITCH,ROCKER,125-277V,20A	1
3	PE-29383	OVERLAY, 1000-SK/II, ELAN CONTROL	1
4	LI-3951	WHITE PILOT LIGHT 250V	1
5	NU-2296	NUT, HEX #8-32	2
6	TR-34539	TIMER, 1HR, 208/240V, 50/60HZ,	1
7	TT-34910	THERMOSTAT,COOK POD,	1
8	SC-2425	8-32 x 1/2" PHIL SCREW	2
9	CB-34945	CABLE, WIRE HARNESS, ELAN C&H,	1
10	WS-22300	WASHER, SPLIT LOCK	2
11	CR-34559	CONNECTOR, DBL MALE / SINGLE FEMALE	2
12	CC-34488	CONTROL, ELAN	1
13	SC-23154	8-32 X 2 SLOT PAN HEAD 18-8 S.S.	2
14	FA-34524	FAN,3" BOX,230V,THERMAL PROTEC	1
15	1011565	FAN TUNNEL COVER, TH/II SERIES	1
16	CR-34646	CONNECTOR-5 CONDUCTOR	2
17	EL-35022	ELEMENT, SMOKE HEATER, 208V 250W	1
18	CR-34827	CONNECTOR, FERRULE #18	2
19	BU-3378	1 1/8" SNAP BUSHING	8
20	SC-2459	8-32 x 1/4" PHIL SCREW	7
21	SW-3528	20A,250V, DPST TOGGLE SWITCH	1
22	NU-2215	NUT,10-32 UNF HEX MS,18-8 SST	4
23	BT-26884	BRACKET, TETHER	1
24	SC-23670	SCREW,10-32X1/2,NF PHIL,FLAT,	4
25	PG-3589	PLUG,HOLE,13/16,HEYCO #2693	2
26	NU-22286	M4-0.7 HEX NUT 18-8	4
27	SC-22271	SCREWS,M4-0.7X6MM PHIL	2
28	PG-25574	3/8" HOLE PLUG	2
29	SC-2365	6-32 X 1 1/4" ROUND HD	2
30	WS-2467	WASHER, INT. LOCK	1
31	BK-3019	T-BLOCK	1
32	BU-3006	1/2" HOLE BUSHING	1
33	BU-3007	7/8" SNAP BUSHING, BLACK	1
34	1009990	ACCESS COVER, 1000/1200-TH/II	1

Door Package "A," RH Slab, 1000-THII



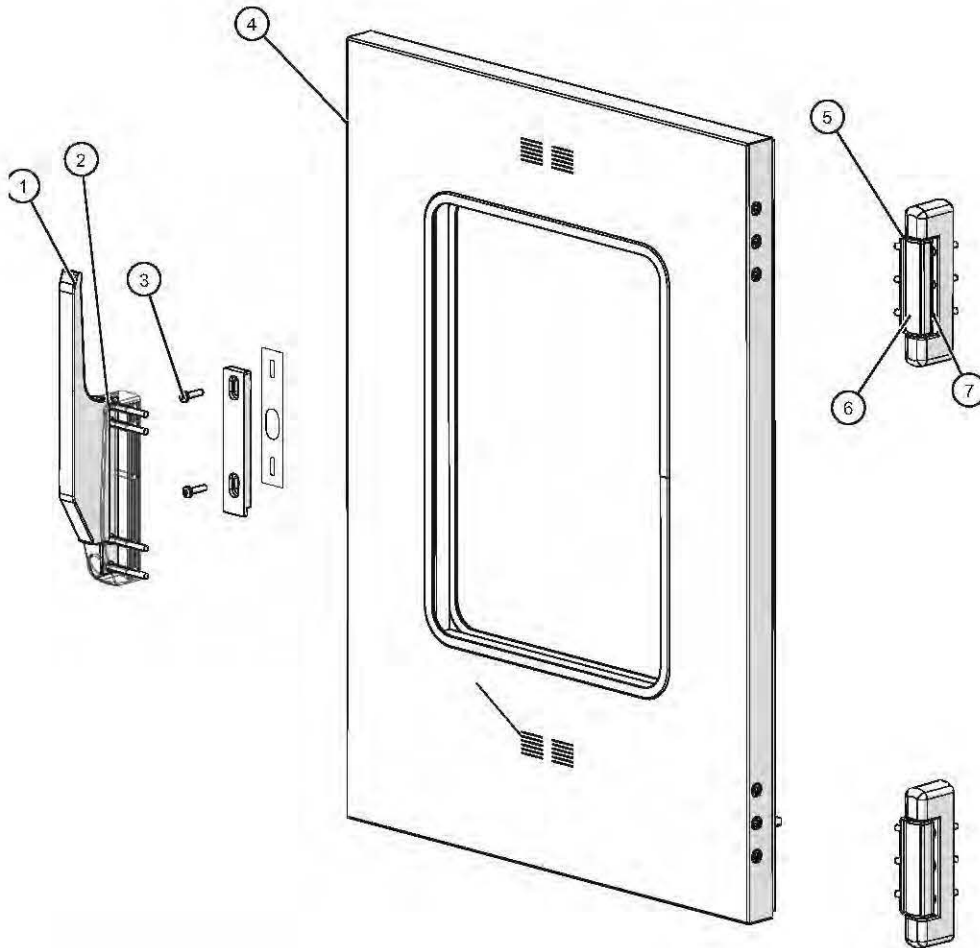
ID	Part No.	Description	Qty
1	HD-27080	HANDLE, OFFSET MAG LATCH	1
2	SC-35259	SCREW, M5x0.8X50MM FLAT	4
3	SC-22779	SCREW, M5x0.8X20MM PAN	2
4	5010081	1000-TH, RH SLAB DOOR ASSY	1
5	HG-22338	HINGE, 1-3/8 OFFSET, PAIR, CHROME	1
6	SC-23868	SCREW, M5x0.8X20MM FLAT	4
7	SC-22853	SCREW, M5x0.8X30MM FLAT	6

Door Package "B," LH Slab, 1000-THII



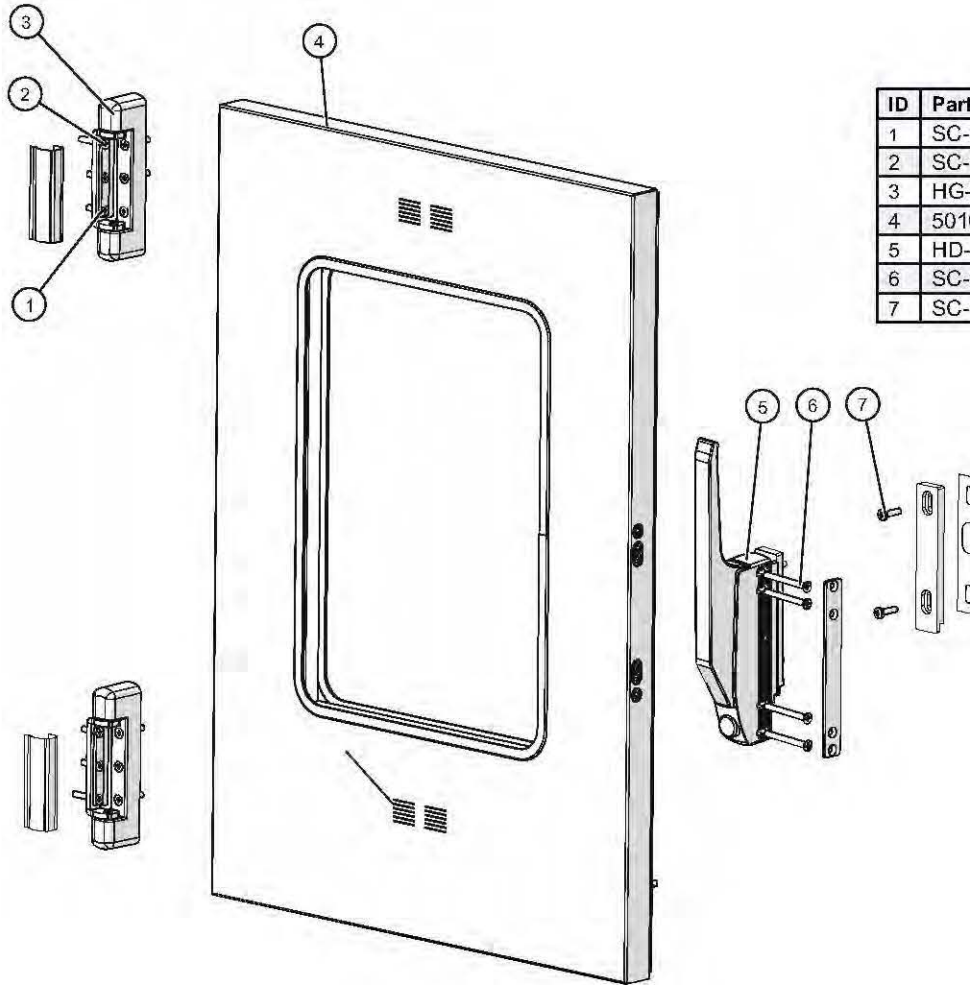
ID	Part No.	Description	Qty
1	SC-23868	SCREW, M5x0.8X20MM FLAT	4
2	SC-22853	SCREW, M5x0.8X30MM FLAT	6
6	SC-35259	SCREW, M5x0.8X50MM FLAT	4
7	SC-22779	SCREW, M5x0.8X20MM PAN	2
4	5010071	DOOR, ASSY, SLAB, LH	1
5	HD-27080	HANDLE, OFFSET MAG LATCH	1
3	HG-22338	HINGE, 1-3/8 OFFSET, PAIR, CHROME	1

Door Package "C," RH Window, 1000-THII



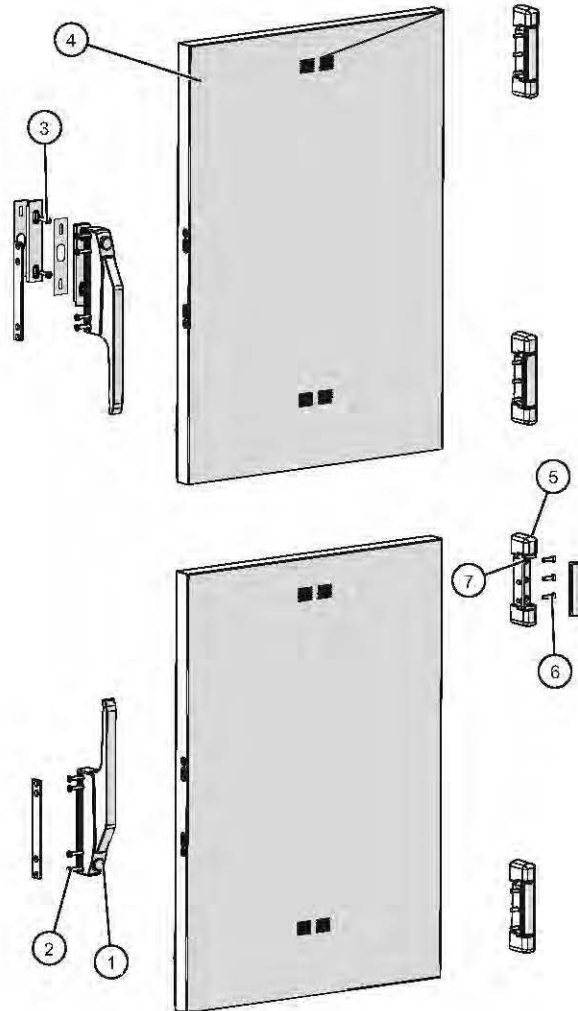
ID	Part No.	Description	Qty
1	HD-27080	HANDLE, OFFSET MAG LATCH	1
2	SC-35259	SCREW, M5x0.8X50MM FLAT	4
3	SC-22779	SCREW, M5x0.8X20MM PAN	2
4	5010082	1000-TH, RH WINDOWED DOOR ASSY	1
5	HG-22338	HINGE, 1-3/8 OFFSET, PAIR, CHROME	1
6	SC-23868	SCREW, M5x0.8X20MM FLAT	6
7	SC-22853	SCREW, M5x0.8X30MM FLAT	6

Door Package "D," LH Window, 1000-TH-II



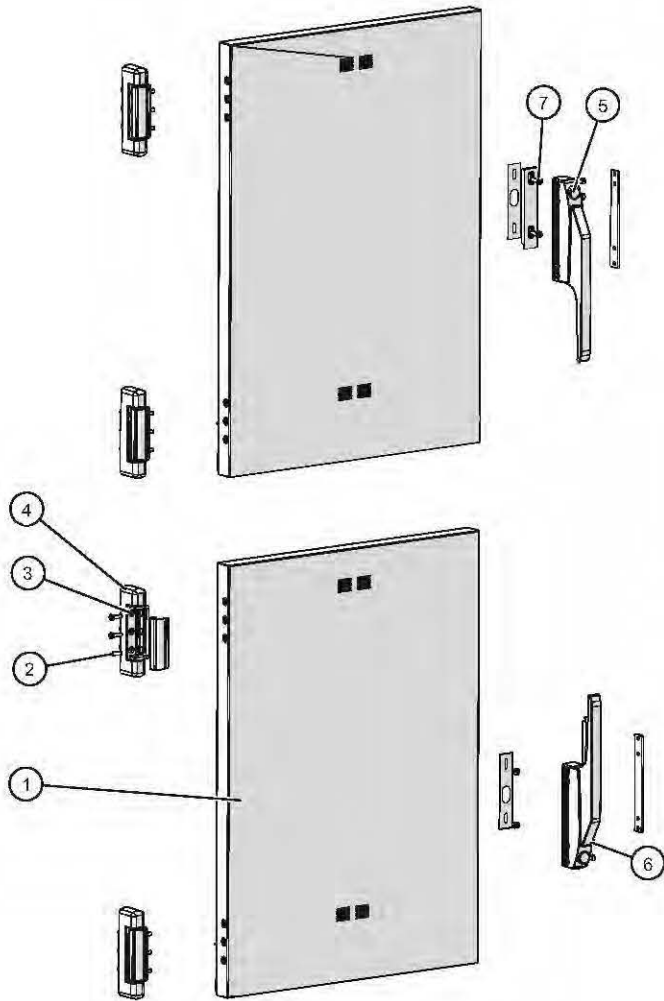
ID	Part No.	Description	Qty
1	SC-23868	SCREW, M5x0.8X20MM FLAT	6
2	SC-22853	SCREW, M5x0.8X30MM FLAT	6
3	HG-22338	HINGE, 1-3/8 OFFSET, PAIR, CHROME	1
4	5010076	DOOR, ASSY, WINDOW, LH	1
5	HD-27080	HANDLE, OFFSET MAG LATCH	1
6	SC-35259	SCREW, M5x0.8X50MM FLAT	4
7	SC-22779	SCREW, M5x0.8X20MM PAN	2

Door Package "A," RH Slab, 1000-SK/II



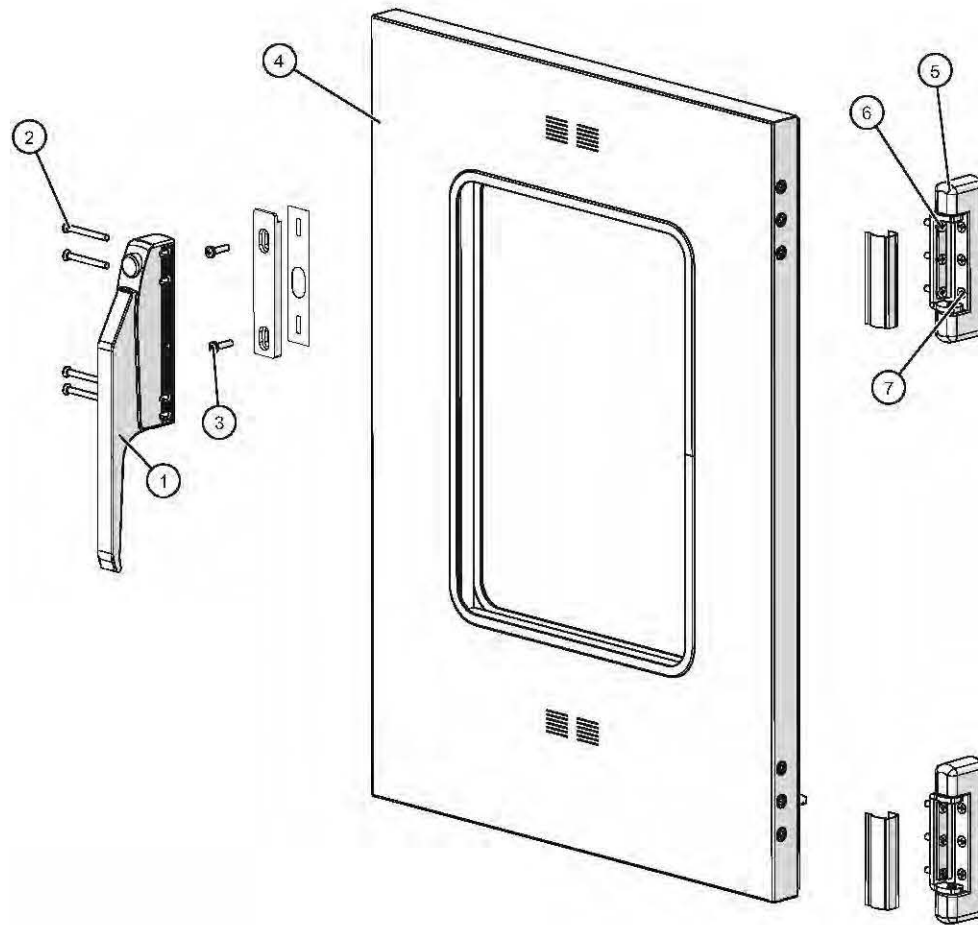
ID	Part No.	Description	Qty
1	HD-27080	HANDLE, OFFSET MAG LATCH	2
2	SC-35259	SCREW, M5x0.8X50MM FLAT	8
3	SC-22779	SCREW, M5x0.8X20MM PAN	4
4	5012859	DOOR, ASSY, SLAB, RH S/S	2
5	HG-22338	DOOR HINGE, 1-3/8, OFFSET PAIR	2
6	SC-23868	SCREW, M5x0.8X20MM FLAT	12
7	SC-22853	SCREW, M5x0.8X30MM FLAT	12

Door Package "B," LH Slab, 1000-SK/II



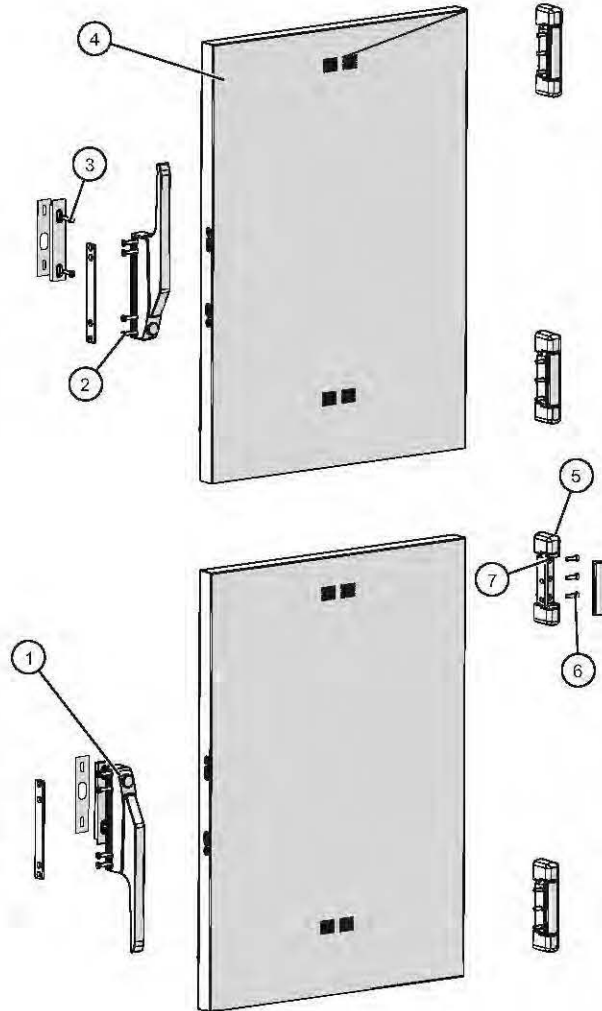
ID	Part No.	Description	Qty
1	5012861	DOOR, ASSY, SLAB, LH S/S	2
2	SC-23868	SCREW, M5x0.8X20MM FLAT	3
3	SC-22853	SCREW, M5x0.8X30MM FLAT	12
4	HG-22338	DOOR HINGE, 1-3/8, OFFSET PAIR	2
5	HD-27080	HANDLE, OFFSET MAG LATCH	2
6	SC-35259	SCREW, M5x0.8X50MM FLAT	8
7	SC-22779	SCREW, M5x0.8X20MM PAN	4

Door Package "C," RH Window, 1000-SK-II



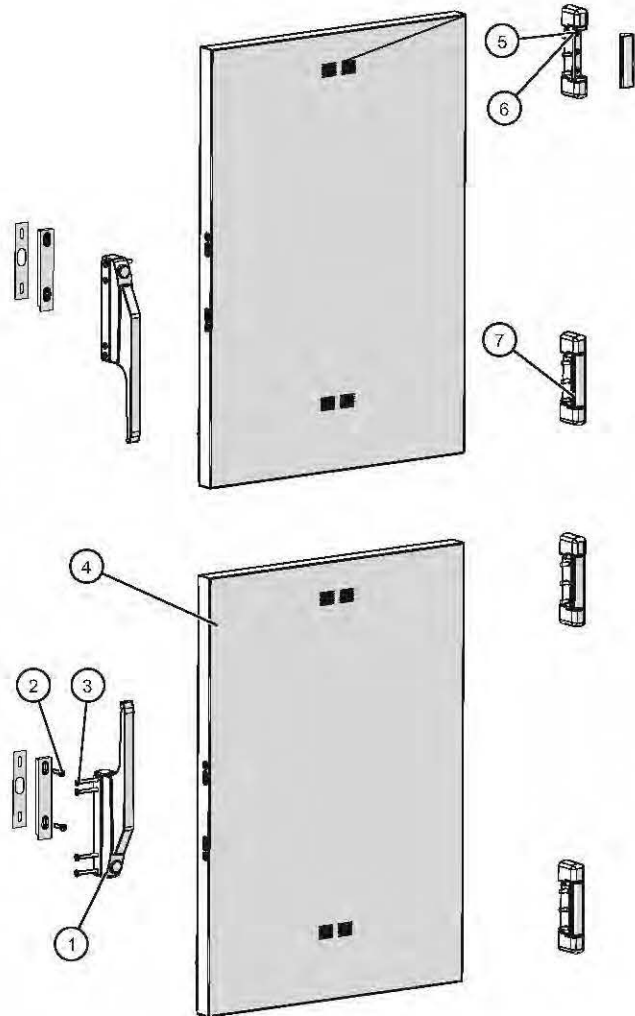
ID	Part No.	Description	Qty
1	HD-27080	HANDLE, OFFSET MAG LATCH	1
2	SC-35259	SCREW, M5x0.8X50MM FLAT	4
3	SC-22779	SCREW, M5x0.8X20MM PAN	2
4	5012863	DOOR, ASSY, WINDOW, RH S/S	1
5	HG-22338	DOOR HINGE, 1-3/8, OFFSET PAIR	1
6	SC-23868	SCREW, M5x0.8X20MM FLAT	5
7	SC-22853	SCREW, M5x0.8X30MM FLAT	6

Door Package "E," RH Slab, Burgundy,1000-SK-II



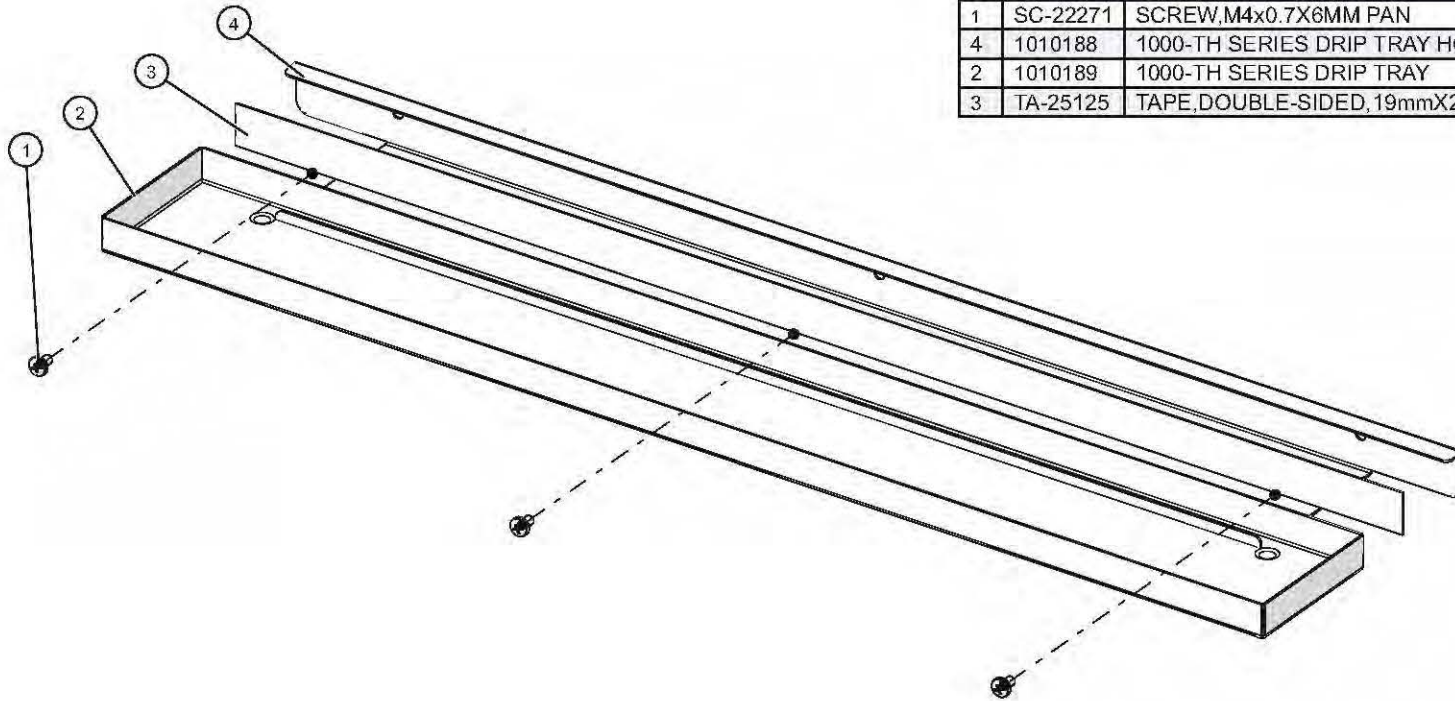
ID	Part No.	Description	Qty
1	HD-27080	HANDLE,OFFSET MAG LATCH	2
2	SC-35259	SCREW,M5x0.8X50MM FLAT	8
3	SC-22779	SCREW,M5x0.8X20MM PAN	4
4	5012560	DOOR, ASSY, SLAB, RH BURG	2
5	HG-22338	DOOR HINGE, 1-3/8, OFFSET PAIR	2
6	SC-23868	SCREW,M5x0.8X20MM FLAT	12
7	SC-22853	SCREW,M5x0.8X30MM FLAT	12

Door Package "I," RH Slab, Custom Color, 1000-SK-II



ID	Part No.	Description	Qty
1	HD-27080	HANDLE, OFFSET MAG LATCH	2
2	SC-22779	SCREW, M5x0.8X20MM PAN	4
3	SC-35259	SCREW, M5x0.8X50MM FLAT	8
4	5013234	DOOR, ASSY, SLAB, RH	2
5	SC-22853	SCREW, M5x0.8X30MM FLAT	12
6	SC-23868	SCREW, M5x0.8X20MM FLAT	12
7	HG-22338	DOOR HINGE, 1-38, OFFSET PAIR	2

Drip Tray Kit, 1000-TH Series



ID	Part No.	Description	Qty
1	SC-22271	SCREW,M4x0.7X6MM PAN	3
4	1010188	1000-TH SERIES DRIP TRAY HOLDER	1
2	1010189	1000-TH SERIES DRIP TRAY	1
3	TA-25125	TAPE,DOUBLE-SIDED,19mmX22.13"	1



ALTO-SHAAM.

Menomonee Falls, WI U.S.A.

Phone 800 -558-8744 | +1-262-251-3800 | alto-shaam.com

ASIA

Shanghai, China
Phone +86-21-6173-0336

AUSTRALIA

Brisbane, Queensland
Phone 800-558-8744

CANADA

Concord, Ontario Canada
Toll Free Phone 866-577-4484
Phone +1-905-660-6781

FRANCE

Aix en Provence, France
Phone +33[0]4-88-78-21-73

GMBH

Bochum, Germany
Phone +49 [0]234 298798-0

ITALY

Padua, Italy
Phone +39 3476073504

INDIA

Pune, India
Phone +91 9657516999

MEXICO

Phone +52 1 477-717-3108

MIDDLE EAST & AFRICA

Dubai, UAE
Phone +971-4-321-9712

CENTRAL & SOUTH AMERICA

Miami, FL USA
Phone +1 954-655-5727