

NOTE #1:
ALL NUMBERS IN () =
ALTO-SHAAM PART NUMBERS

NOTE #2:
SEE DRW #B-8067
FOR WIRE ASSEMBLIES

(12VDC POWER SUPPLY)
(BA-33554)

208V-240V, 60Hz
1500-2000W
7.2-8.3A

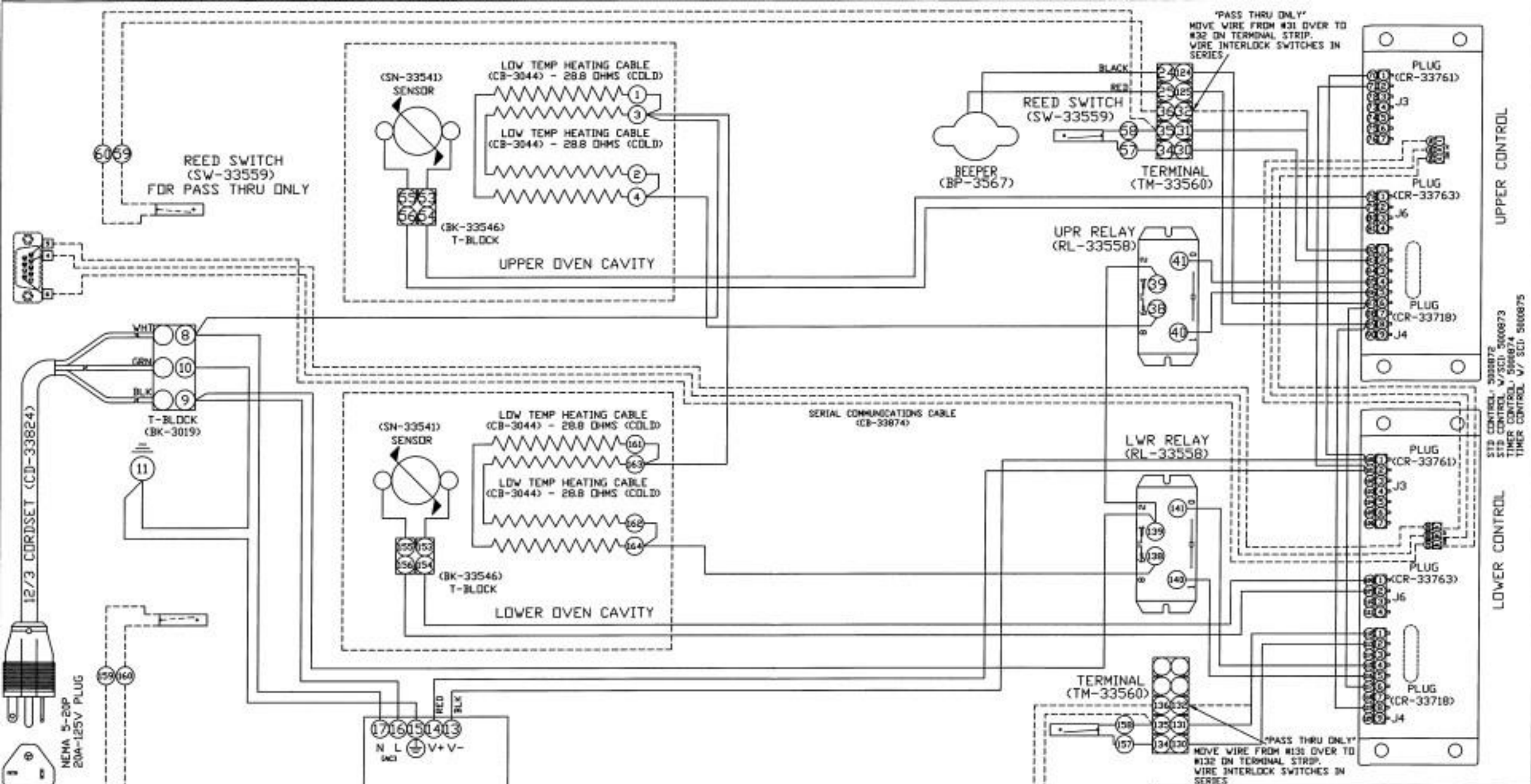
WIRING DIAGRAM

2	02/27/03	DDF	NO.	REVISION	BY	MODELS: 1000-UP, UPS ('02)	ELEC. (208-240V)
1	04/05/02	CJB					
<p>ALTO-SHAAM. MENOMONEE FALLS, WISC. 53052-450</p>						BY: DDF	SCALE: NONE
						APP'D: PE D	DATE: 01/02/02

UPPER CONTROL

LOWER CONTROL

STD CONTROL: 5000872
STD CONTROL: V7SCJ 5000873
TIMER CONTROL: 5000874
TIMER CONTROL: V7 SCL 5000875



WIRING DIAGRAM

MODELS: 1000-UP, UPS ('02) ELEC. (120V)
ALTO-SHAAM.
 MENOMONEE FALLS, WISC. 53052-450

BY: DDF SCALE: NONE DWG: B-7608
 APP'D: P.E.D. DATE: 01/02/02

NO.	REVISION	BY
3	02/27/03	DDF
2	04/16/02	CJB
1	04/05/02	CJB

120V-60Hz
 2000W
 16.0A

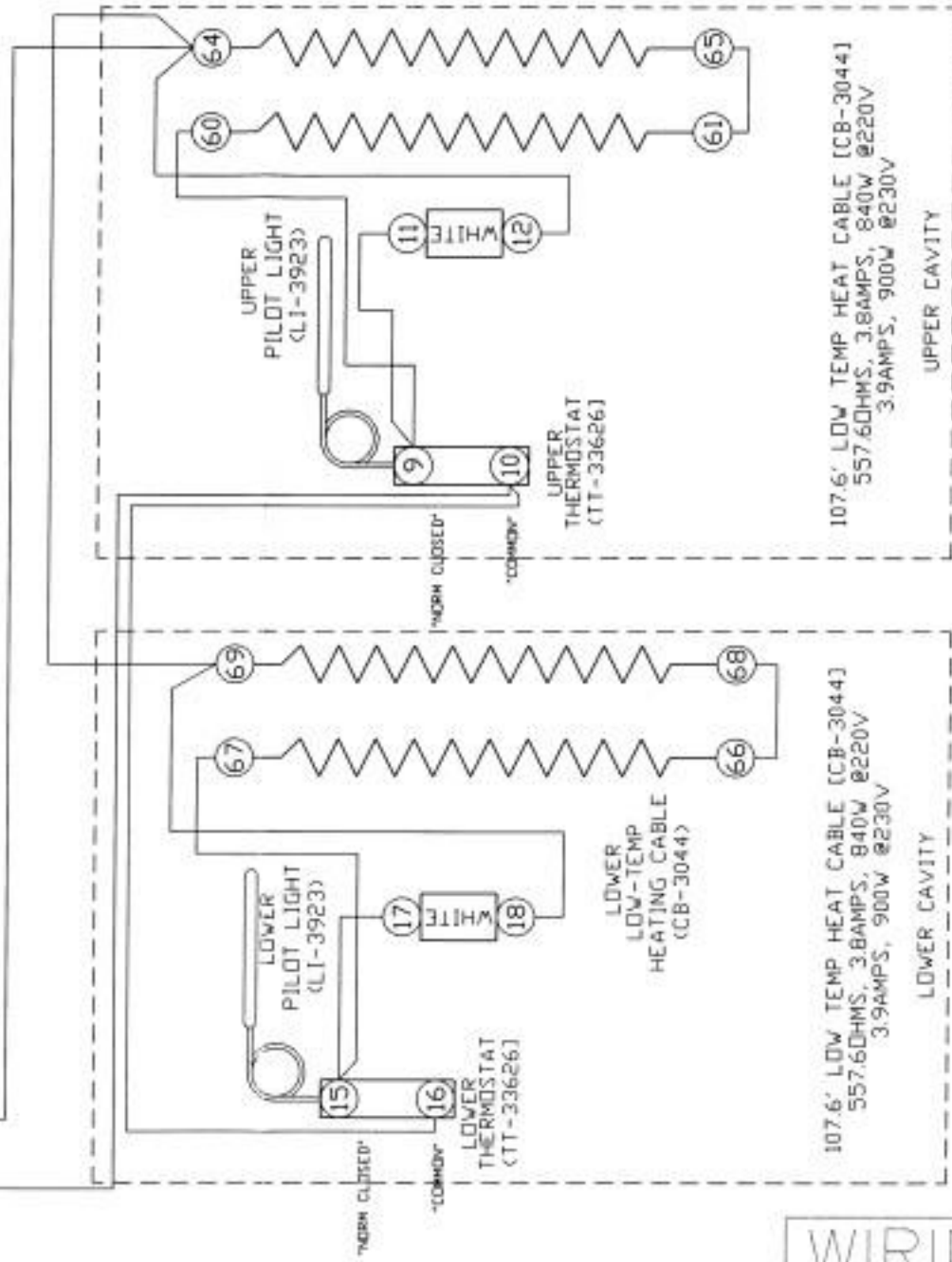
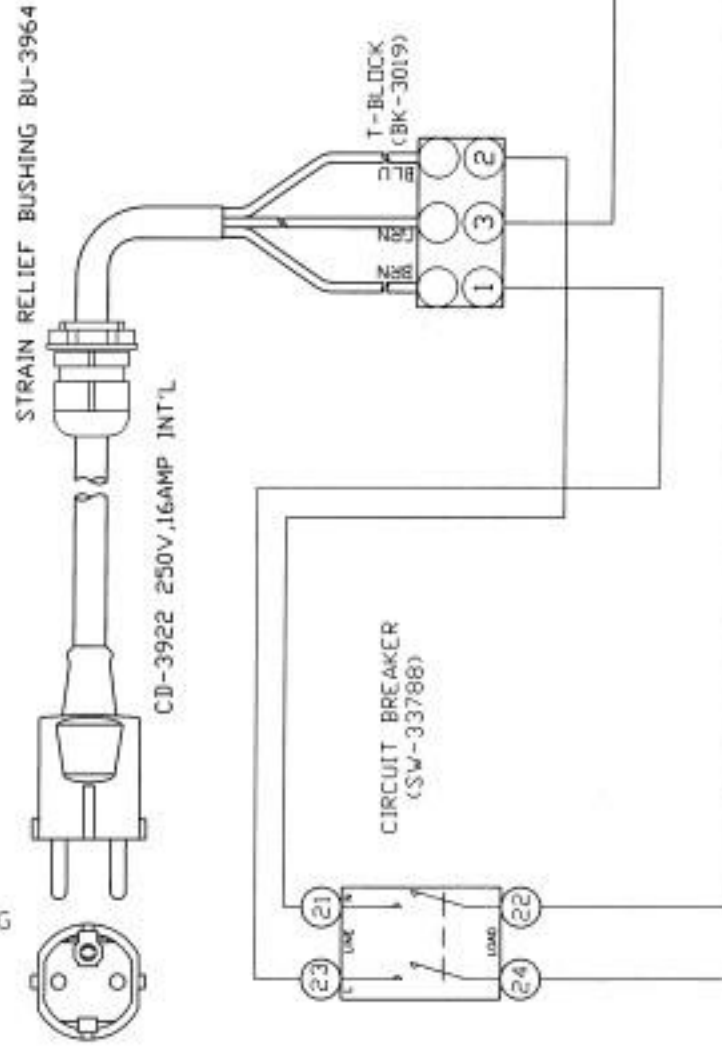
NOTE #1:
 ALL NUMBERS IN () =
 ALTO-SHAAM PART NUMBERS

NOTE #2:
 SEE DRW #B-8060
 FOR WIRE ASSEMBLIES

NOTE #1: ALL NUMBERS IN ()= ALTO-SHAAM PART NO.'S

NOTE#2: SEE DRW #8058 FOR WIRE ASSEMBLY'S

CEE 7/7
220-230V PLUG



WIRING DIAGRAM

MODELS: 1000-UP, UPS('01) MANUAL 230V, 50HZ

ALTO-SHAAM.
MENOMONEE FALLS, WISC. 53052-450

220V, 50/60HZ, 1690W, 7.6A

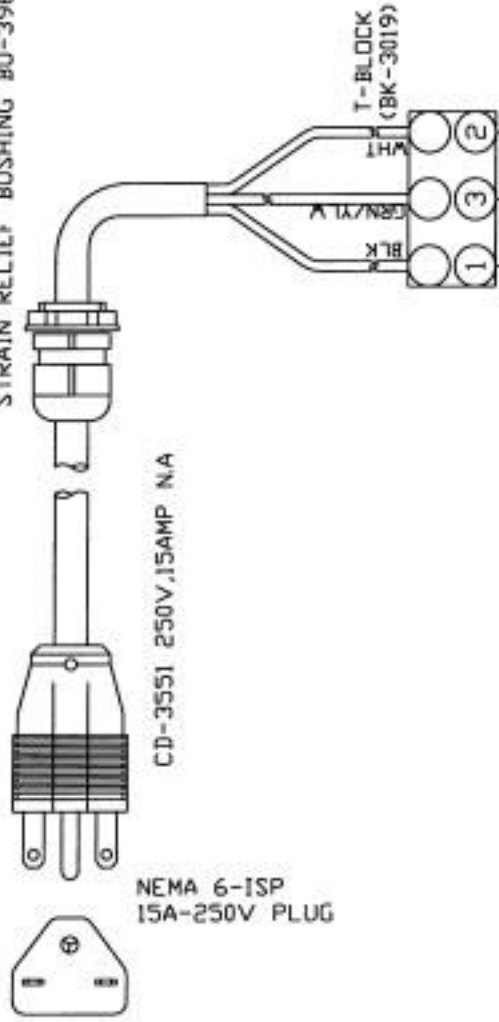
230V, 50HZ, 1800W, 7.8A

NO.	CUT SIZE:
REVISION	MATERIAL:
BY	DESCRIPTION:
APPROVAL:	QUANTITY:
	DDF

SCALE: 1" = 1"
BY: C J B DATE: 01/02/02

DWG: B-7607

STRAIN RELIEF BUSHING BU-3964



CD-3551 250V, 15AMP N.A.

NEMA 6-15P
15A-250V PLUG

T-BLOCK
(BK-3019)

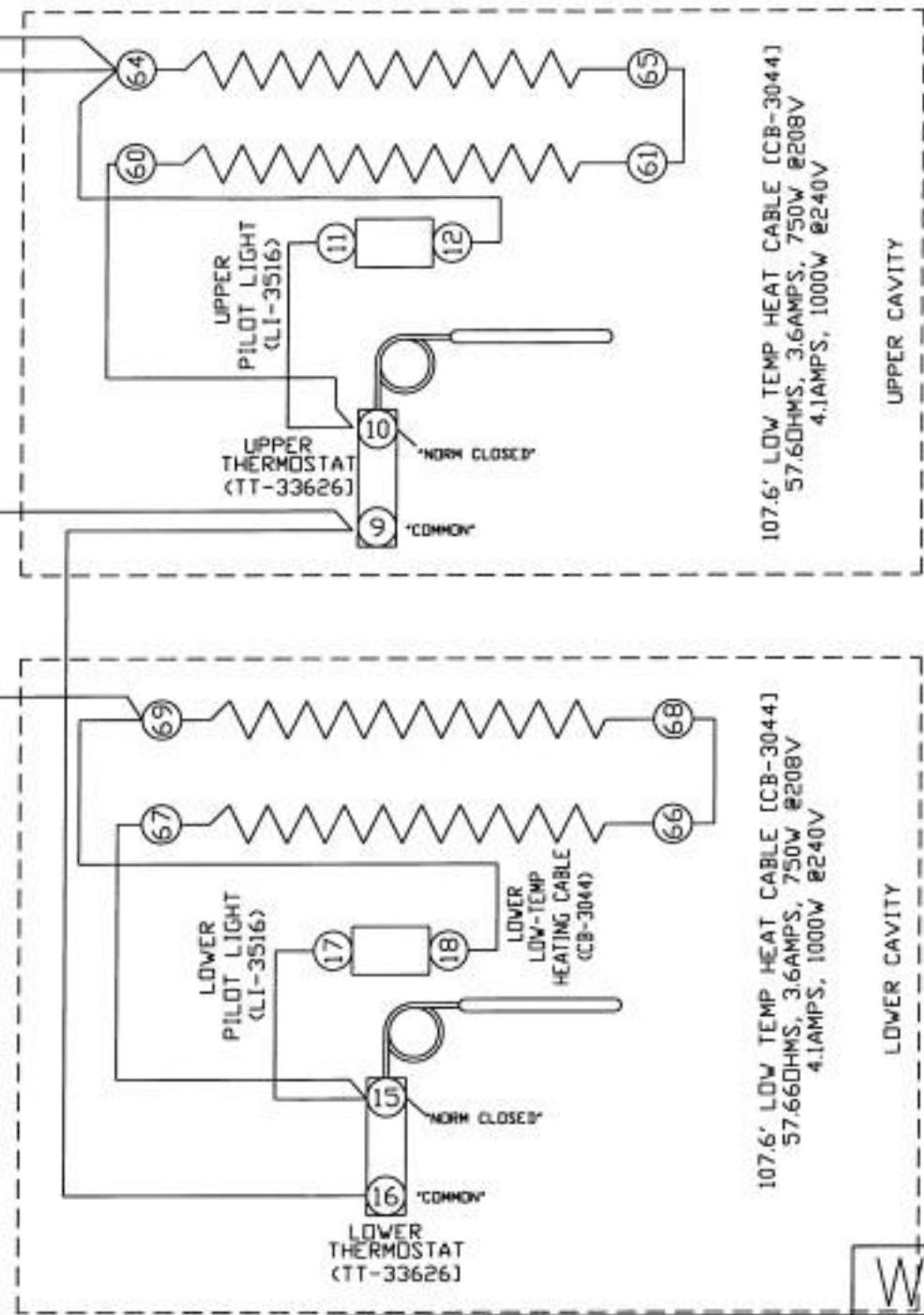
WHT

GRN/W

BLK



4



107.6' LOW TEMP HEAT CABLE [CB-3044]
57.66DHMS, 3.6AMPS, 750W @208V
4.1AMPS, 1000W @240V

UPPER CAVITY

107.6' LOW TEMP HEAT CABLE [CB-3044]
57.66DHMS, 3.6AMPS, 750W @208V
4.1AMPS, 1000W @240V

LOWER CAVITY

208V, 50/60HZ, 1500W, 7.2A
240V, 50/60HZ, 2000W, 8.3A

WIRING DIAGRAM

MODELS: 1000-UP, UPS('01) MAN'L 208-240V, 50/60HZ

ALTO-SHAAM.
MENOMONEE FALLS, WISC. 53052-450

SCALE: 1" = 1"

DWG: B-7606

BY: M S DATE: 01/02/02

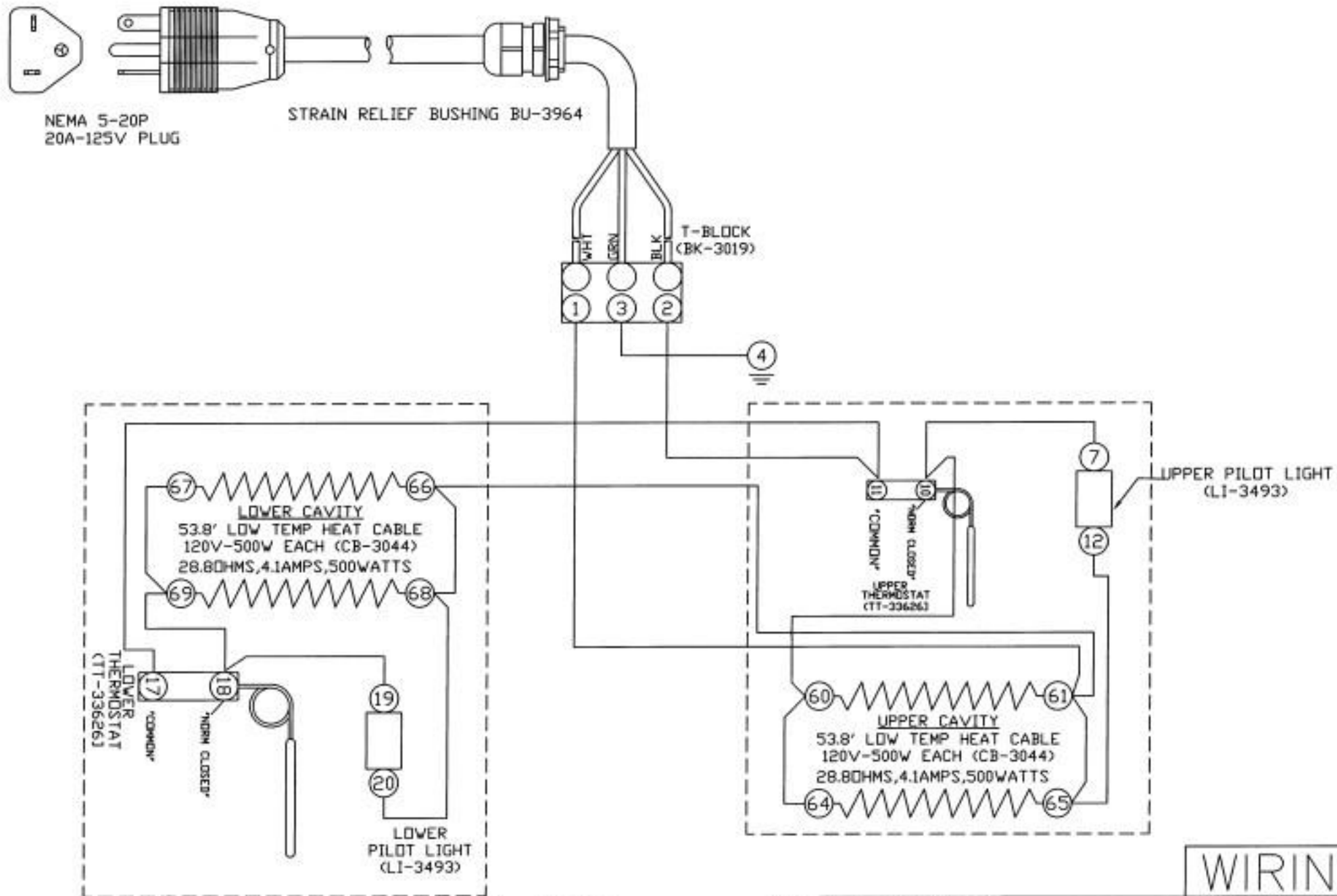
APPROVAL: DF/PED

NO.	REVISION	BY	DATE
1	04/05/02	CJB	04/01/03
2	05/10/02	CJB	04/01/03
3			

NOTE #1: ALL NUMBERS IN () = ALTO-SHAAM PART NO.'S

NOTE #2: SEE DRW #8056 FOR WIRE ASSEMBLY'S

(CD-33824)(CORDSET,12/3 SJD,20 AMPS 125V,12/3 CORD)



120V-60Hz 2000W, 16.0A

WIRING DIAGRAM

MODELS: 1000-UP,UPS('01) MANUAL 120V,60HZ

ALTO-SHAAM.
MENOMONEE FALLS, WISC. 53052-450

SCALE: 1" = 1"

BY: M S DATE: 01/02/02

DWG: B-7605

NO	REVISION	BY	DESCRIPTION
1	04/05/02	CJB	CUT SIZE:
2	04/16/02	CJB	MATERIAL:
3	05/10/02	CJB	DESCRIPTION:
4	04/01/03	DDF	QUANTITY:
			APPROVAL: DF/PED

NOTE #1: ALL NUMBERS IN ()= ALTO-SHAAM PART NO.'S

NOTE#2: SEE DRW #8055 FOR WIRE ASSEMBLY'S