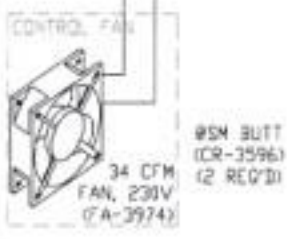


7218W @220V 1PH 32.8AMPS  
 6575W @230V 1PH 28.5AMPS

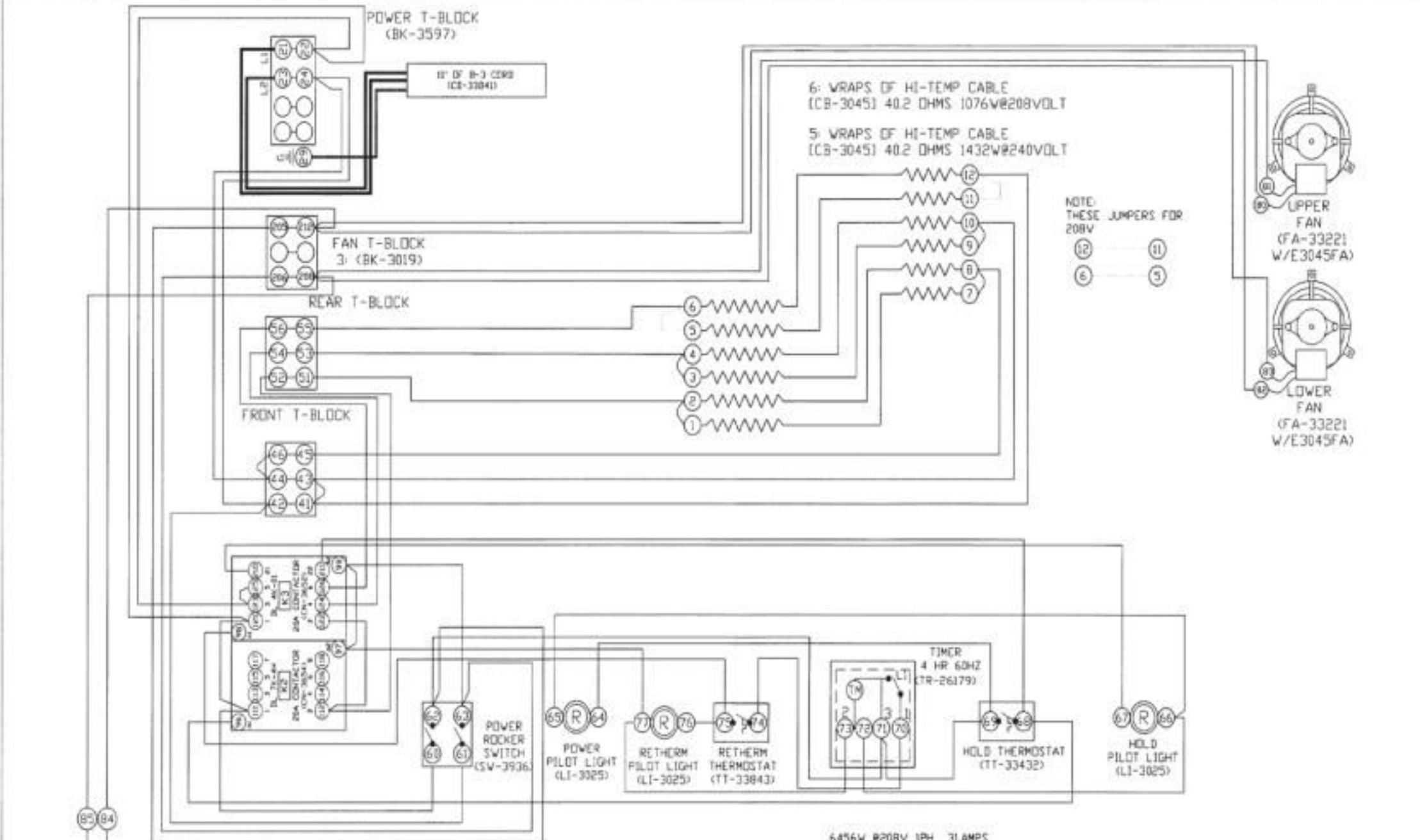


## 220/230V 1PH WIRE DIAGRAM

MODELS: RTM-12 20	
<b>ALTO-SHAAM</b>	
MENOMONEE FALLS, WISC. 53052-450	
SCALE: NONE	DWG: B-220_230V WIRE
BY: M.S	DATE: 7-22-08

1	NO	CUT SIZE:
05/15/08	REVISION	MATERIAL:
		DESCRIPTION:
		QUANTITY:
	BY	APPROVAL:

Ø5M BUTT (CR-3596)  
 (2 REQ'D)



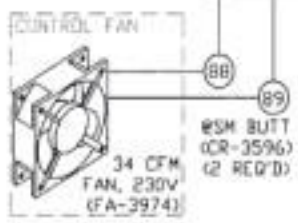
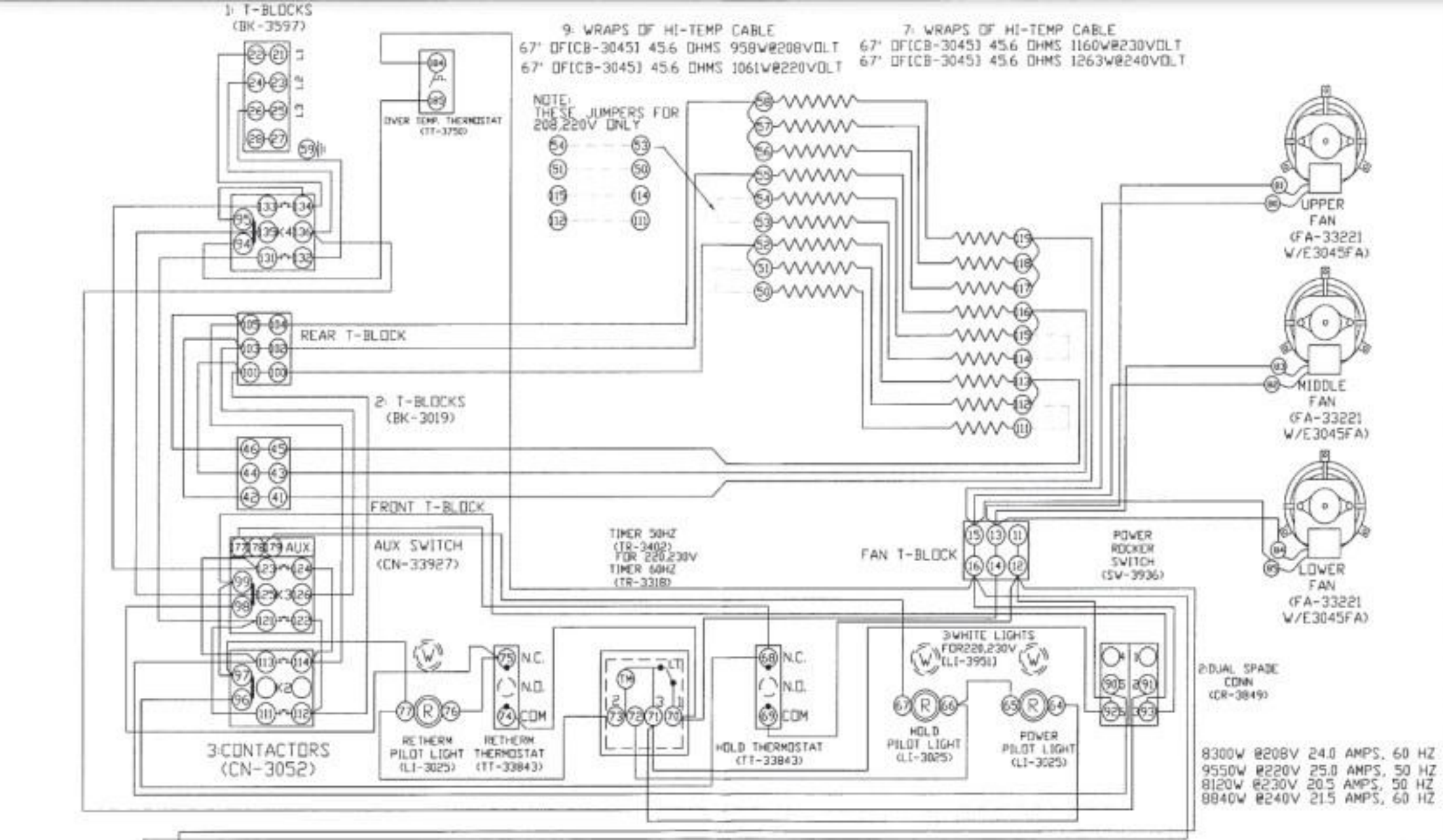
6456W @208V 1PH 31AMPS  
7160V @240V 1PH 29.8AMPS

208/240V 1PH WIRE DIA.GRAM  
MODELS-RTM-12.20

**ALTO-SHAAM**  
MENOMONEE FALLS, WISC. 53052-450

2	1	NO.1	CUT SIZE:
06/29/04	05/15/02	DDF	MATERIAL:
DDF	BY		DESCRIPTION:
			QUANTITY:
			APPROVAL:

SCALE: NONE  
BY: M S DATE: 5-14-02  
DWG: B-208 240V WIRE



NOTE #1:  
SEE DRW #A-8247  
FOR WIRE ASSEMBLIES

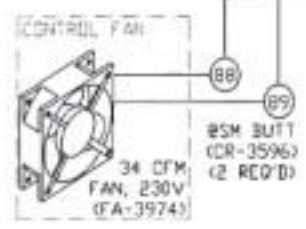
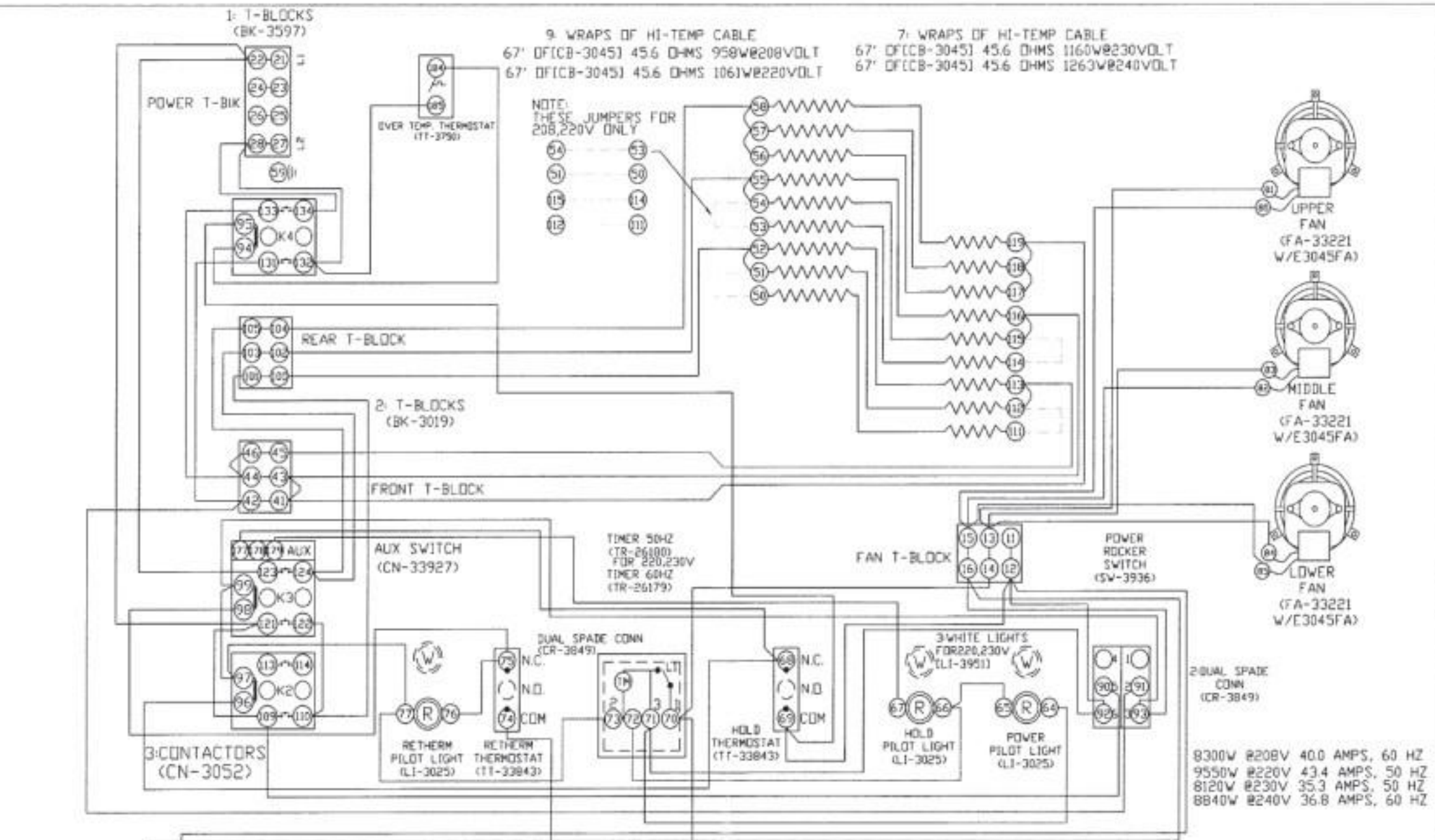
# WIRE DIAGRAM

MODELS: 2800RTM, 3 PH, (MANUAL), ALL VOLTS

**ALTO-SHAAM**  
MENOMONEE FALLS, WISC. 53052-450

NO.	1
REVISION	12/01/05
BY	SD

BY: DDF SCALE: NONE DWG: B-7730  
APP'D: P.E.D. DATE: 1/25/05



NOTE #1:  
SEE DRW #A-8244  
FOR WIRE ASSEMBLIES

# WIRE DIAGRAM

MODELS: 2800RTM 1 PH. (MAN), ALL VOLTAGES

**ALTO-SHAAM.**  
MENOMONEE FALLS, WISC. 53052-450

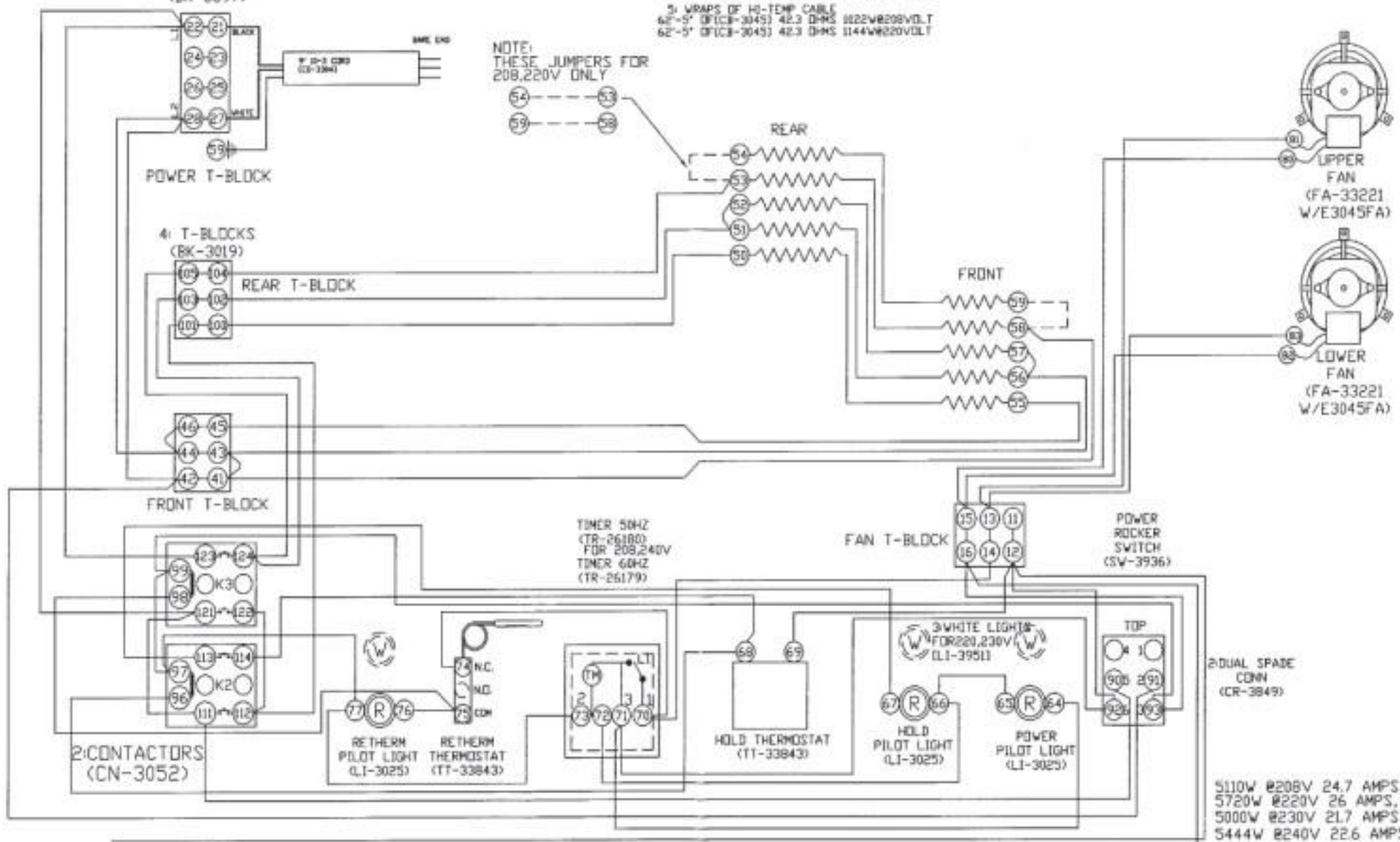
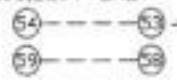
NO.	1
REVISION	12/01/05
BY	MS/DF
DATE	1/25/05

BY: MS/DF	SCALE: NONE	DWG: B-7727
APP'D: PE.D	DATE: 1/25/05	

1) T-BLOCKS  
(BK-3597)

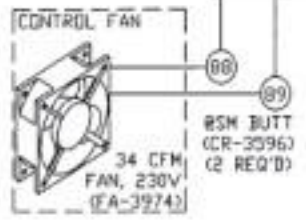
4) WRAPS OF HI-TEMP CABLE  
62"-5" DF(CB-3045) 42.3 DMS 1361WR240VOLT  
62"-5" DF(CB-3045) 42.3 DMS 1250WR230VOLT  
3) WRAPS OF HI-TEMP CABLE  
62"-5" DF(CB-3045) 42.3 DMS 1022WR208VOLT  
62"-5" DF(CB-3045) 42.3 DMS 1144WR220VOLT

NOTE:  
THESE JUMPERS FOR  
208,220V ONLY



2) DUAL SPADE  
CONN  
(CR-3849)

5110W @208V 24.7 AMPS, 60 HZ  
5720W @220V 26 AMPS, 50 HZ  
5000W @230V 21.7 AMPS, 50 HZ  
5444W @240V 22.6 AMPS, 60 HZ



NOTE #1:  
SEE DRW. HA-8182  
FOR WIRE ASSEMBLIES

# WIRE DIAGRAM

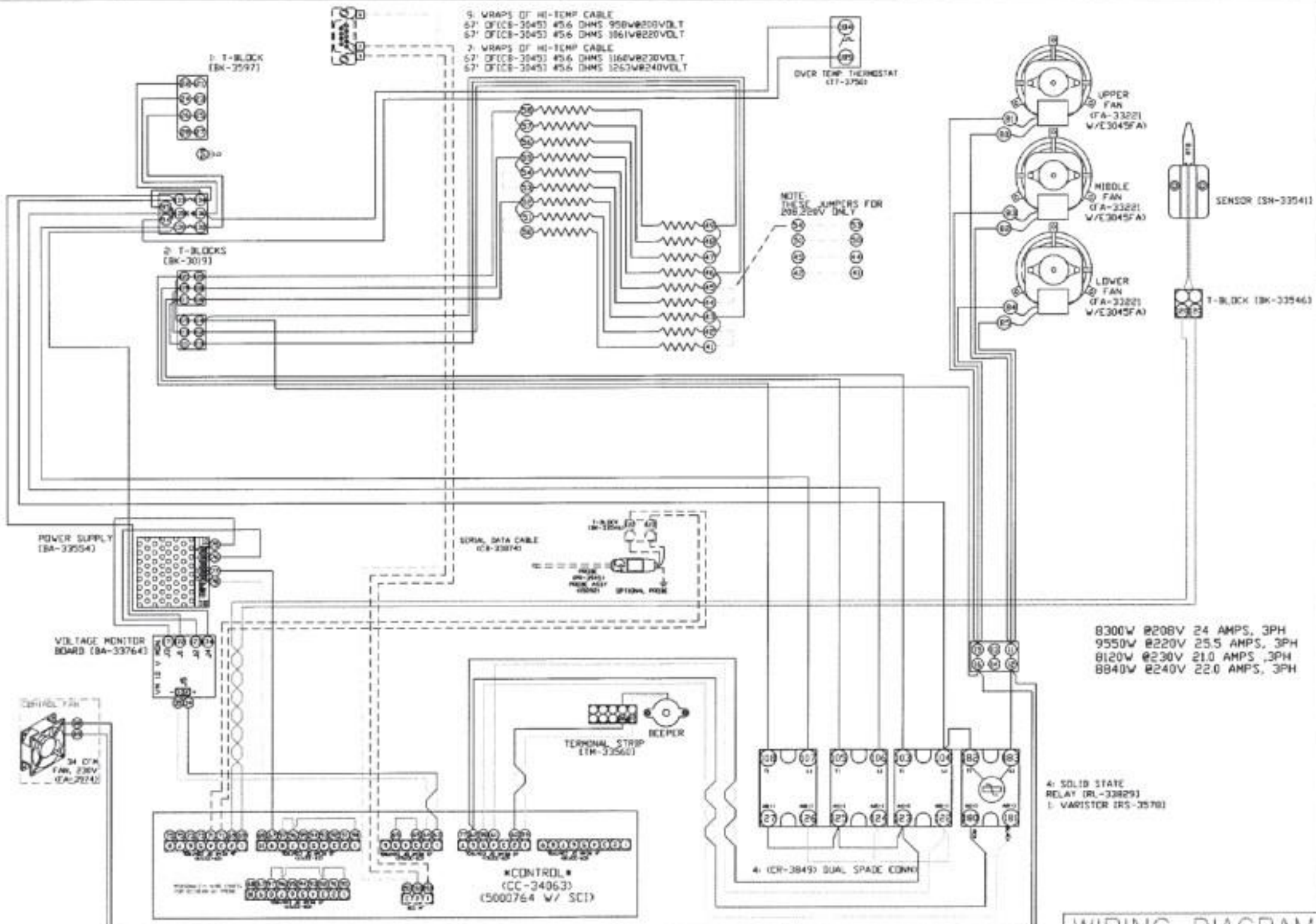
MODELS: 2800-S/RTM 1PH MANUAL 208,240,230,240V

**ALTO-SHAAM.**  
MENOMONEE FALLS, WISC. 53052-450

NO	REVISION	BY
1	07/12/04	CJB
2	08/26/04	CJB
3	09/30/04	CJB
4	12/01/05	S/D

BY: M.S. SCALE: NONE DWG: B-7674  
APP'D: D.D.F. DATE: 11/04/03





# WIRING DIAGRAM

BY: BDF	SCALE: NONE	DWG: C-7729-PROBE
APP'D: PE D	DATE: 1/25/05	
NO. REVISION	BY	DATE
1	BDF	05/01/05
2	TJH	06/01/05

**ALTO-SHAAM**  
 MANUFACTURER OF ALL THINGS WELDING

MODELS: RTH-2800/E, ALL VOLT, 3PH, ELEC

