



Smoker Ovens

Classic Control

767-SK
1767-SK



Manufacturer's Information

Copyright

© Copyright 02/2024 by Alto-Shaam, Inc.
 All rights reserved.
 This manual or any portion thereof may not be reproduced or used in any manner whatsoever without the express written permission of Alto-Shaam, Inc

Trademarks

All trademarks referenced in this documentation are the property of their respective owners.

Manufacturer

Alto-Shaam, Inc.
 P.O. Box 450
 W164 N9221 Water Street
 Menomonee Falls, WI 53052

Models Covered

<p>767-SK 1767-SK</p>	<p>US (UL Certified) Models International (CE Certified) Models</p>
--	--

Serial Number

The unit serial number is required for identifying and ordering the correct service parts.
 Record the unit serial number below for reference.

<p>Serial Number</p>
<p> </p>

Parts Finder Tool

Interactive diagrams from this Parts Manual are available online at our Parts Finder Tool:
<https://www.alto-shaam.com/en/customer-support/parts>.
 Or, scan the QR code below.



Parts Ordering Information

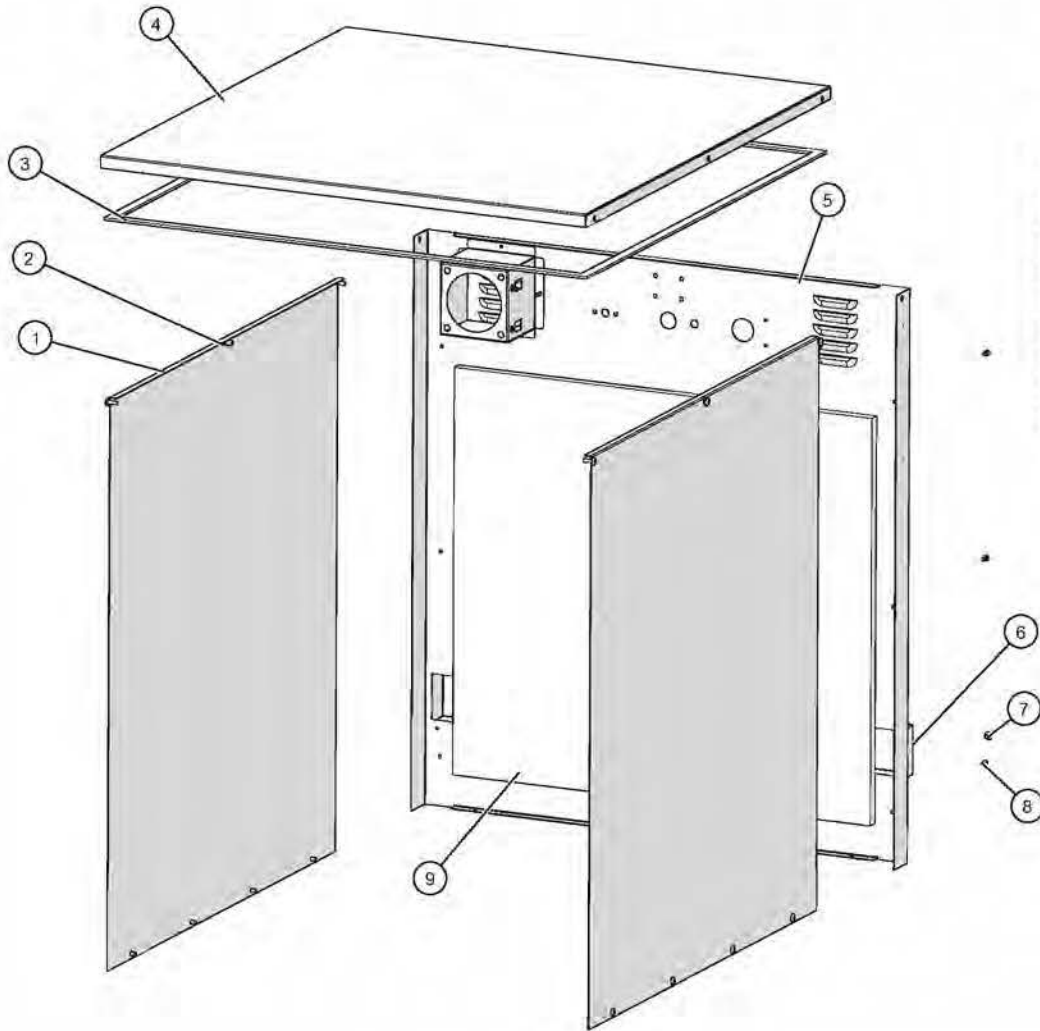
Original manufacturer's replacement parts may be ordered directly from the Alto-Shaam network of Authorized Service Agents and Parts Distributors. Follow this link for a map to a local partner: <https://www.alto-shaam.com/en/how-to-buy>. If you are an Authorized Service Agent or Parts Distributor, please submit your purchase order to parts@alto-shaam.com.

Non-OEM parts may be substituted; however, these parts must be of equal quality and specifications as those provided by Alto-Shaam.

Table of Contents

Manufacturer's Information	2	Cordset/Ferrule Assembly, NEMA 5-20P.....	37
Table of Contents	3	Cordset/Ferrule Assembly, CH2-16P	38
Exterior Panel Package "A", Reach-In, 767-SK	4	Cordset/Ferrule Assembly, CEE 7/7	39
Exterior Panel Package "A", Reach-In, 1767-SK	5	Cordset/Ferrule Assembly, SAA AS 3112-16P	40
Cavity Package "A", 767-SK, Reach-In, 120V.....	6	Drip Tray Kit.....	41
Cavity Package "B", 767-SK, Reach-In, 208-240V, 230V.....	7	Drip Tray Kit, Extended	42
Cavity Package "A", 1767-SK, Reach-In, 208-240V, 230V	8	Caster Package, 3-1/2"	43
Cable Insulation Assembly, 767-SK, 120V	9	Caster Package, 5"	44
Cable Insulation Assembly, 767-SK, 208-240V / 230V.....	10		
Cable Insulation Assembly, 1767-SK.....	11		
Control Package "A," 767-SK, 120V.....	12		
Control Package "B," 767-SK, 208-240V	13		
Control Package "C," 767-SK, 230V.....	14		
Control Package "A," 1767-SK, 208-240V.....	15		
Control Package "B," 1767-SK, 230V	16		
Control Package "C," 1767-SK, 208-240V.....	17		
Control Package "D," 1767-SK, 230V	18		
Control Package "G," 1767-SK, 208-240V.....	19		
Control Package "H," 1767-SK, 230V.....	20		
Mid-Bonnet Assembly, 1767-SK, 208-240V	21		
Mid-Bonnet Assembly, 1767-SK, 230V.....	22		
Bonnet Assembly, 1767-SK, 208-240V	23		
Bonnet Assembly, 1767-SK, 230V.....	24		
Electrical Chassis Assembly, 767-SK, 120V	25		
Electrical Chassis Assembly, 767-SK, 208-240V	26		
Electrical Chassis Assembly, 767-SK, 230V	27		
Electrical Chassis Assembly, 1767-SK, 208-240V	28		
Electrical Chassis Assembly, 1767-SK, 230V.....	29		
Door Package, 767-SK, RH Window	30		
Door Package "C," 767-SK, RH Slab	31		
Door Package "D," 767-SK, LH Slab	32		
Door Package "A," 1767-SK, RH Window.....	33		
Door Package "C," 1767-SK, RH Slab.....	34		
Door Package "D," 1767-SK, LH Slab.....	35		
Bumper (Optional), 750 Series	36		

Exterior Panel Package "A", Reach-In, 767-SK

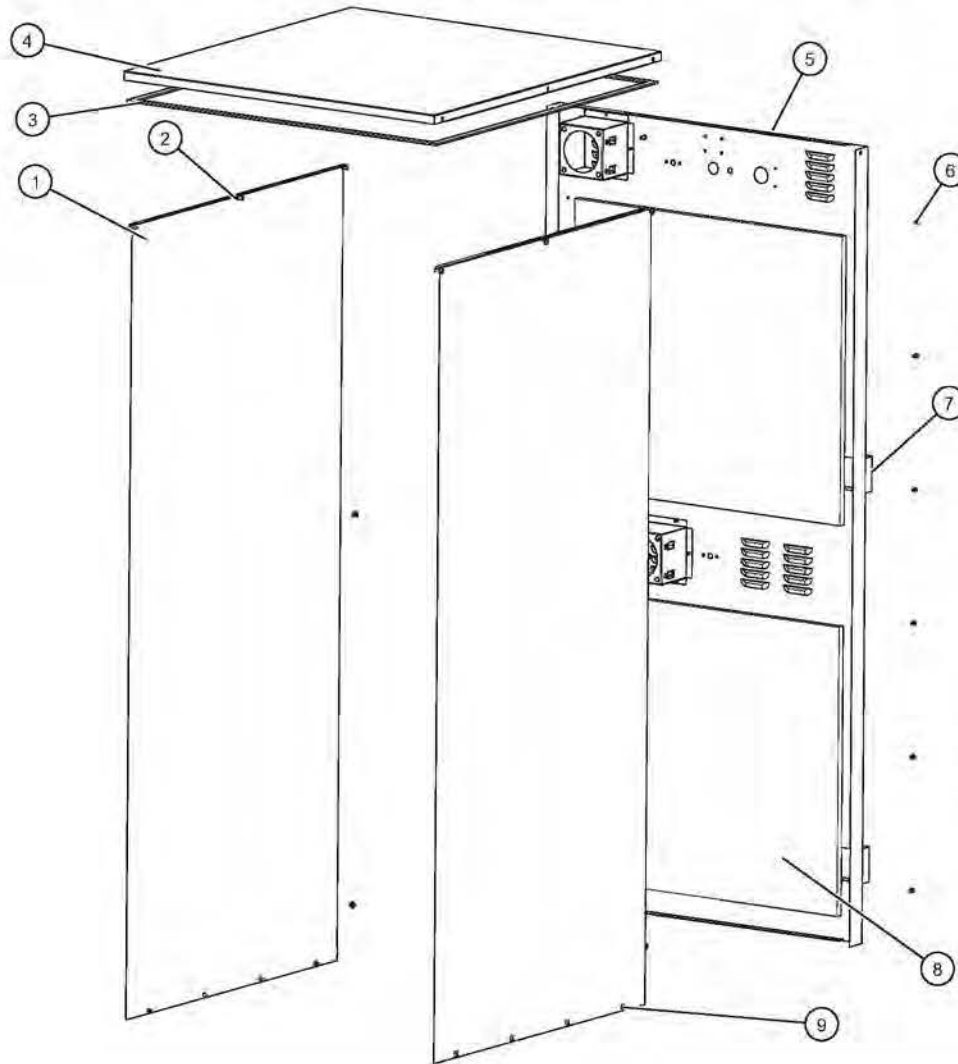


ID	Part No.	Description	Qty
1	5015083	750 SERIES S/S SIDE PANEL	2
2	SC-2425	8-32 x 1/2" PHIL SCREW	6
3	GS-23622	GASKETS, ADHESIVE, .125X.375	1
4	1011872	TOP COVER 750-S	1
5	5014137	767-SK REAR TRIM SPOT ASSB	1
6	1010409	ELEMENT COVER 767-SK SERIES	1
7	SC-2459	8-32 x 1/4" PHIL SCREW	12
8	RI-2100	RIVET, BLIND, #44, STNLS	6
9	IN-2003	1/2" BOARD INSULATION @ 18.75" x 26.75"	1

5014173_3_1000-TH EXT PANEL PKG A

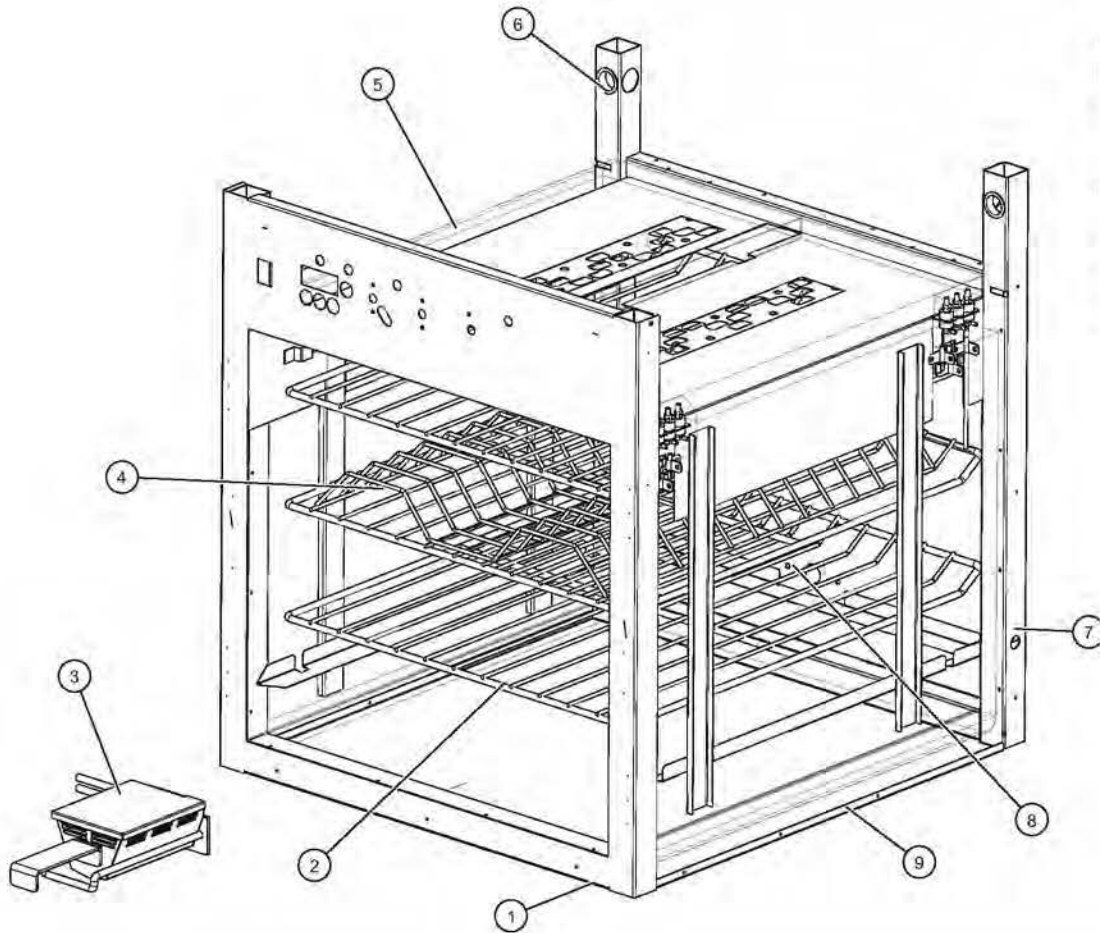
ALTO-SHAAM.

Exterior Panel Package "A", Reach-In, 1767-SK



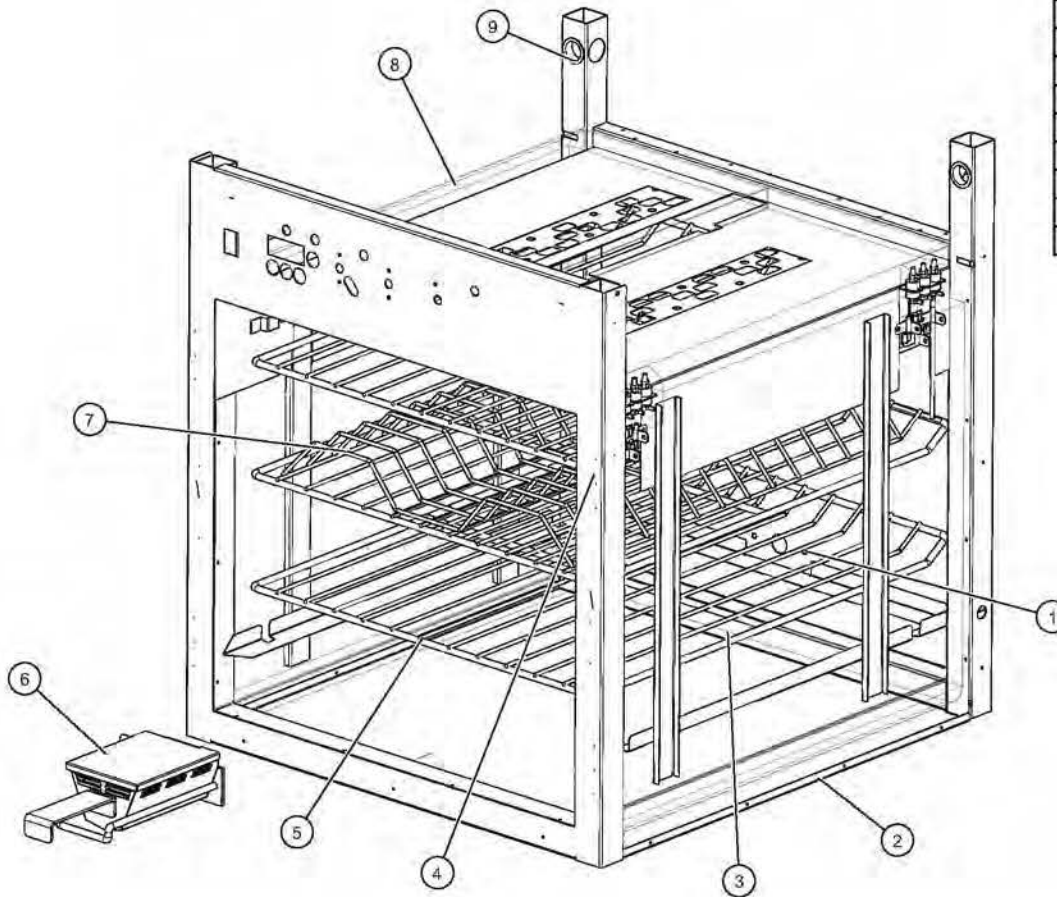
ID	Part No.	Description	Qty
1	5015102	1767-SK SS SIDE PANEL SUB ASB	2
2	SC-2425	8-32 x 1/2" PHIL SCREW	6
3	GS-23622	GASKETS,,ADHESIVE,,125X.375	1
4	1011872	TOP COVER 750-S	1
5	5014223	1767-SK REAR TRIM SPOT	1
6	RI-2100	RIVET,BLIND,#44,STNLS	12
7	1010409	ELEMENT COVER 767-SK SERIES	2
8	IN-2003	1/2" BOARD INSULATION @ 18.75" x 26.75"	2
9	SC-2459	8-32 x 1/4" PHIL SCREW	16

Cavity Package "A", 767-SK, Reach-In, 120V



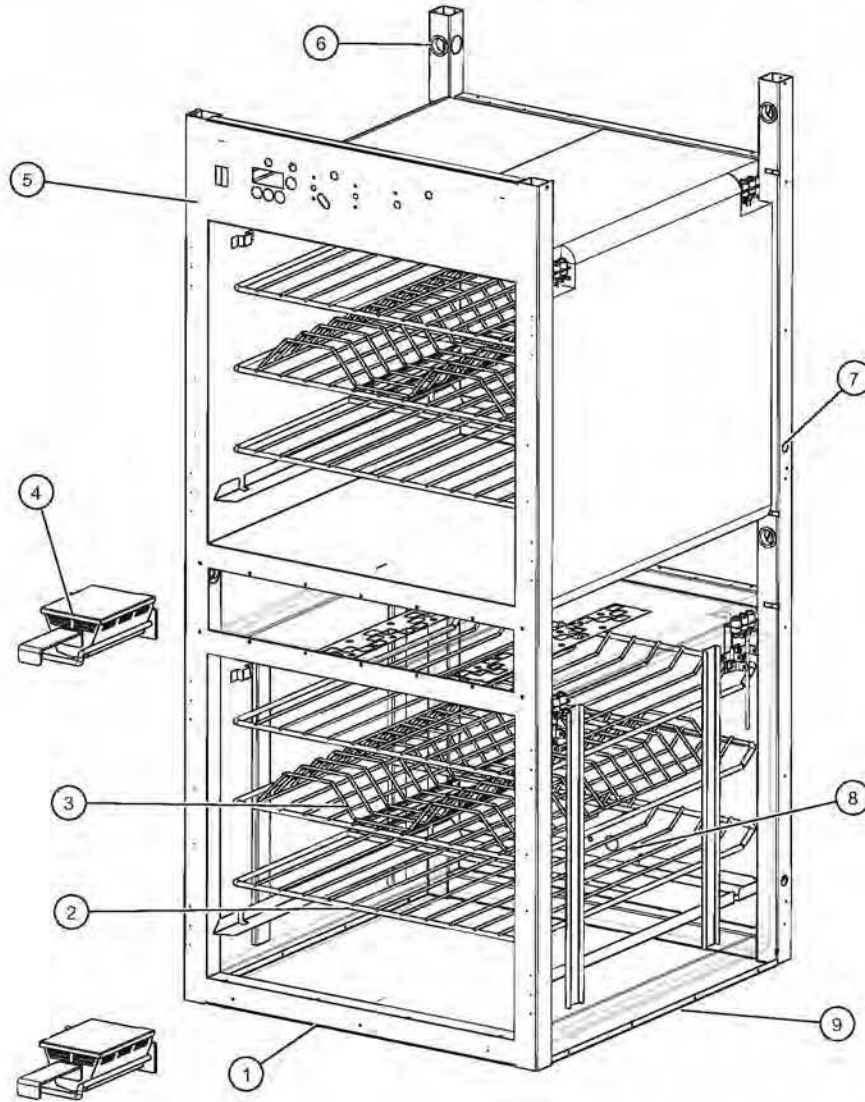
ID	Part No.	Description	Qty
1	SC-2459	8-32 x 1/4" PHIL SCREW	8
2	SH-2324	S/S WIRE SHELF, 750-S	2
3	5032687	SMOKER ELEMENT PKG, 120V	1
4	SH-2743	S/S RIB RACK 767-SK SERIES	1
5	5014116	767-SK 120V CABLE INSULATION ASSB	1
6	BU-3378	1 1/8" SNAP BUSHING	2
7	BU-3611	5/8" SNAP BUSHING BLACK	2
8	NU-2437	NUT, 1/4-20 HEX S/S	2
9	1010394	BOTTOM PANEL, 750 SERIES	1

Cavity Package "B", 767-SK, Reach-In, 208-240V, 230V



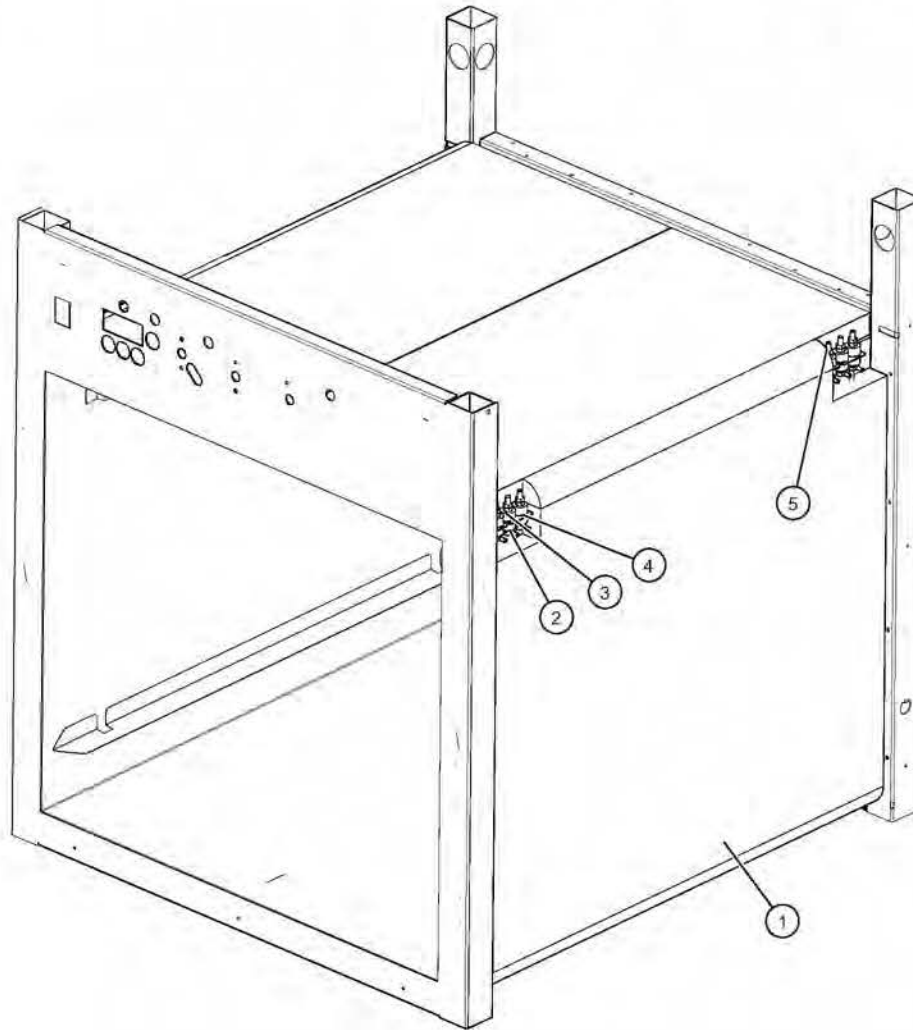
ID	Part No.	Description	Qty
1	NU-2437	NUT, 1/4-20 HEX S/S	2
2	1010394	BOTTOM PANEL, 750 SERIES	1
3	SC-2459	8-32 x 1/4" PHIL SCREW	8
4	BU-3611	5/8" SNAP BUSHING BLACK	2
5	SH-2324	S/S WIRE SHELF, 750-S	2
6	5032688	SMOKER ELEMENT PKG, 208/240V	1
7	SH-2743	S/S RIB RACK 767-SK SERIES	1
8	5014119	CABLE INSULATION ASSY, 767SK 208/240V	1
9	BU-3378	1 1/8" SNAP BUSHING	2

Cavity Package "A", 1767-SK, Reach-In, 208-240V, 230V



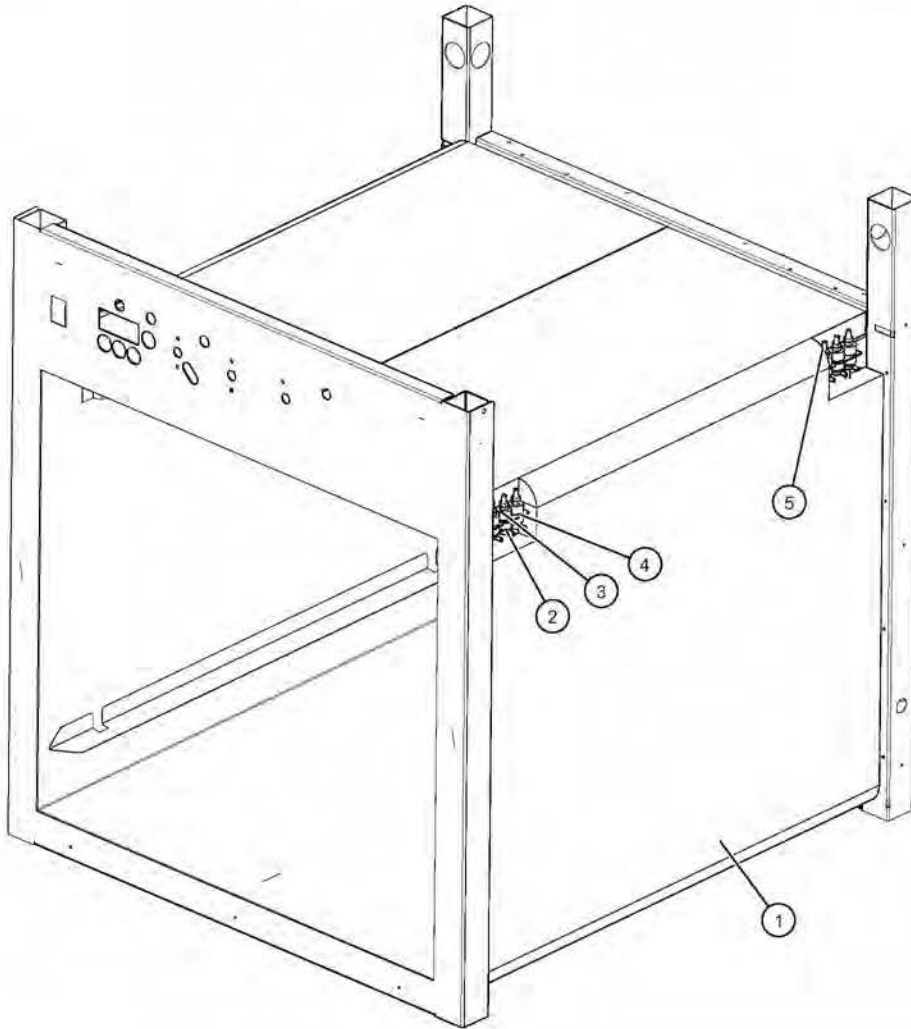
ID	Part No.	Description	Qty
1	SC-2459	8-32 x 1/4" PHIL SCREW	8
2	SH-2324	S/S WIRE SHELF, 750-S	4
3	SH-2743	S/S RIB RACK 767-SK SERIES	2
4	5032688	SMOKER ELEMENT PKG, 208/240V	2
5	5014325	CABLE INSULATION ASSB, 1767-SK	1
6	BU-3378	1 1/8" SNAP BUSHING	8
7	BU-3611	5/8" SNAP BUSHING BLACK	4
8	NU-2437	NUT, 1/4-20 HEX S/S	4
9	1010394	BOTTOM PANEL, 750 SERIES	1

Cable Insulation Assembly, 767-SK, 120V



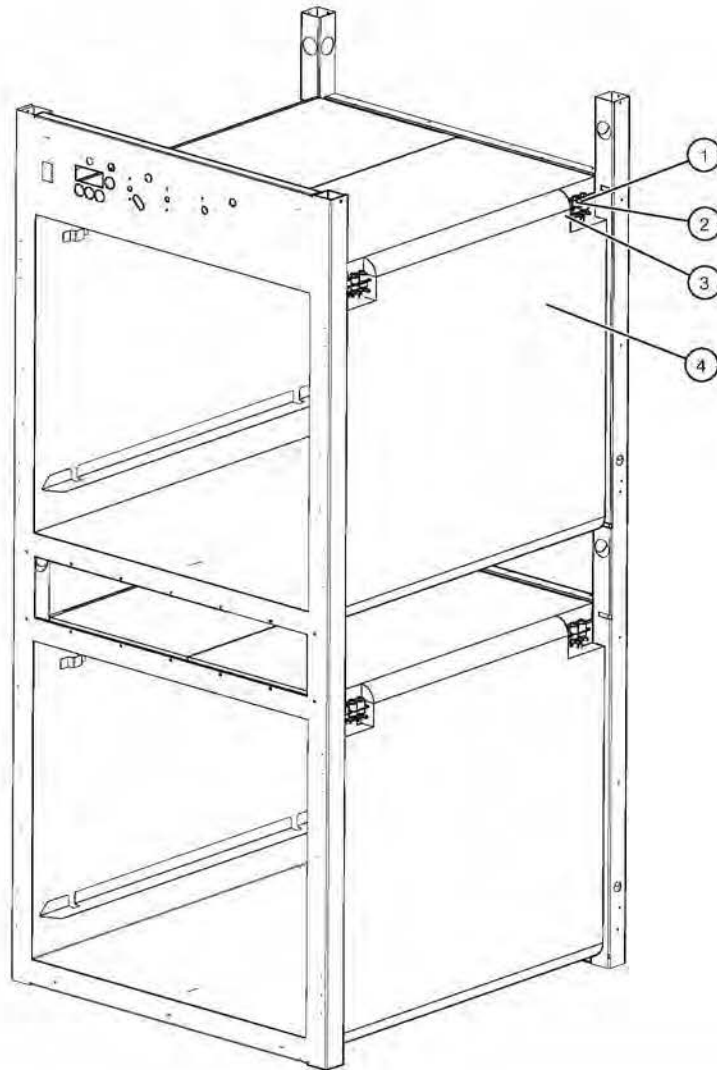
ID	Part No.	Description	Qty
1	IN-22364	INSULATION @ 24" x 91"	1
2	SC-28259	SCREW, M5x0.8x40MM HEX	6
3	BU-3106	BUSHING, FEMALE CERAMIC	6
4	BU-3105	BUSHING, MALE CERAMIC	6
5	NU-22289	NUT, M5-0.8 HEX NUT 18-8 DIN # 934	18

Cable Insulation Assembly, 767-SK, 208-240V / 230V



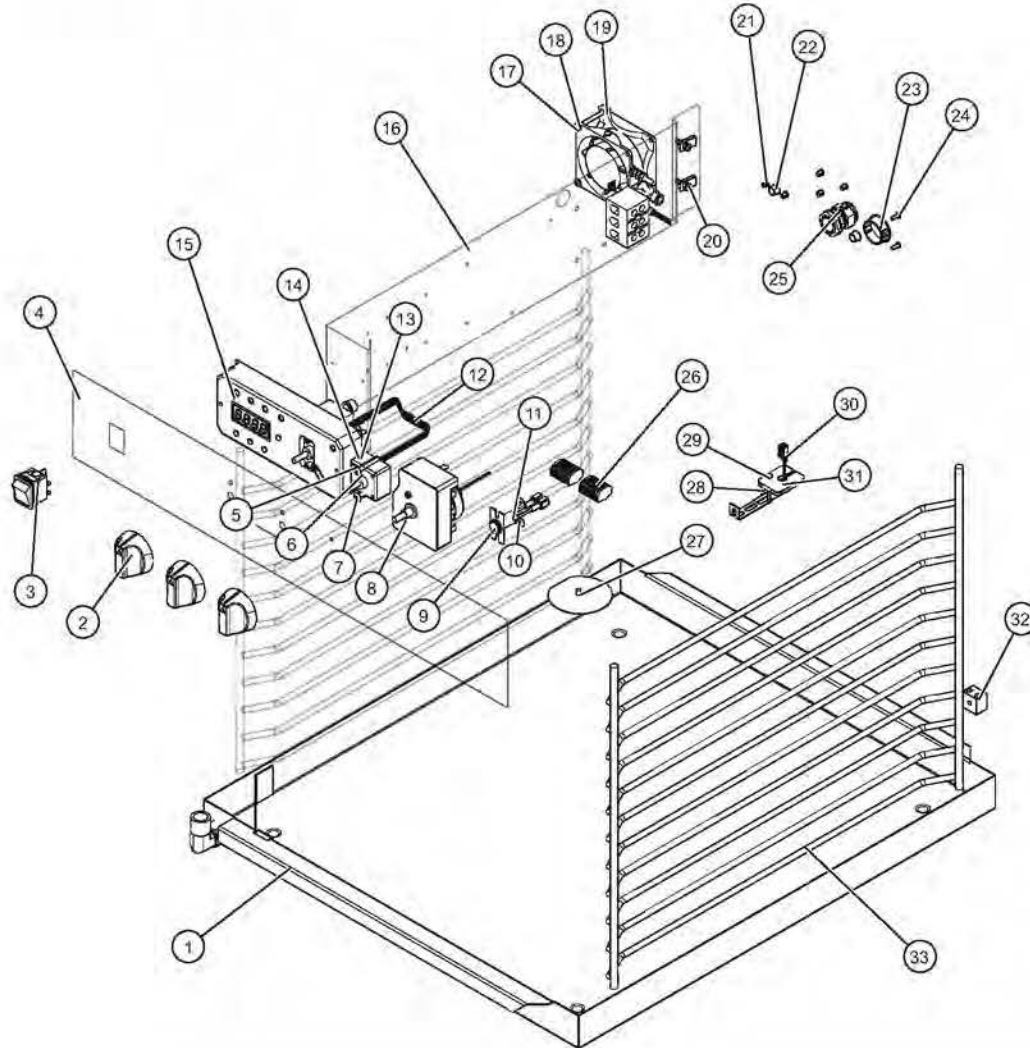
ID	Part No.	Description	Qty
1	IN-22364	INSULATION @ 24" x 91"	1
2	SC-28259	SCREW, M5x0.8x40MM HEX	6
3	BU-3106	BUSHING, FEMALE CERAMIC	6
4	BU-3105	BUSHING, MALE CERAMIC	6
5	NU-22289	NUT, M5-0.8 HEX NUT 18-8 DIN # 934	18

Cable Insulation Assembly, 1767-SK



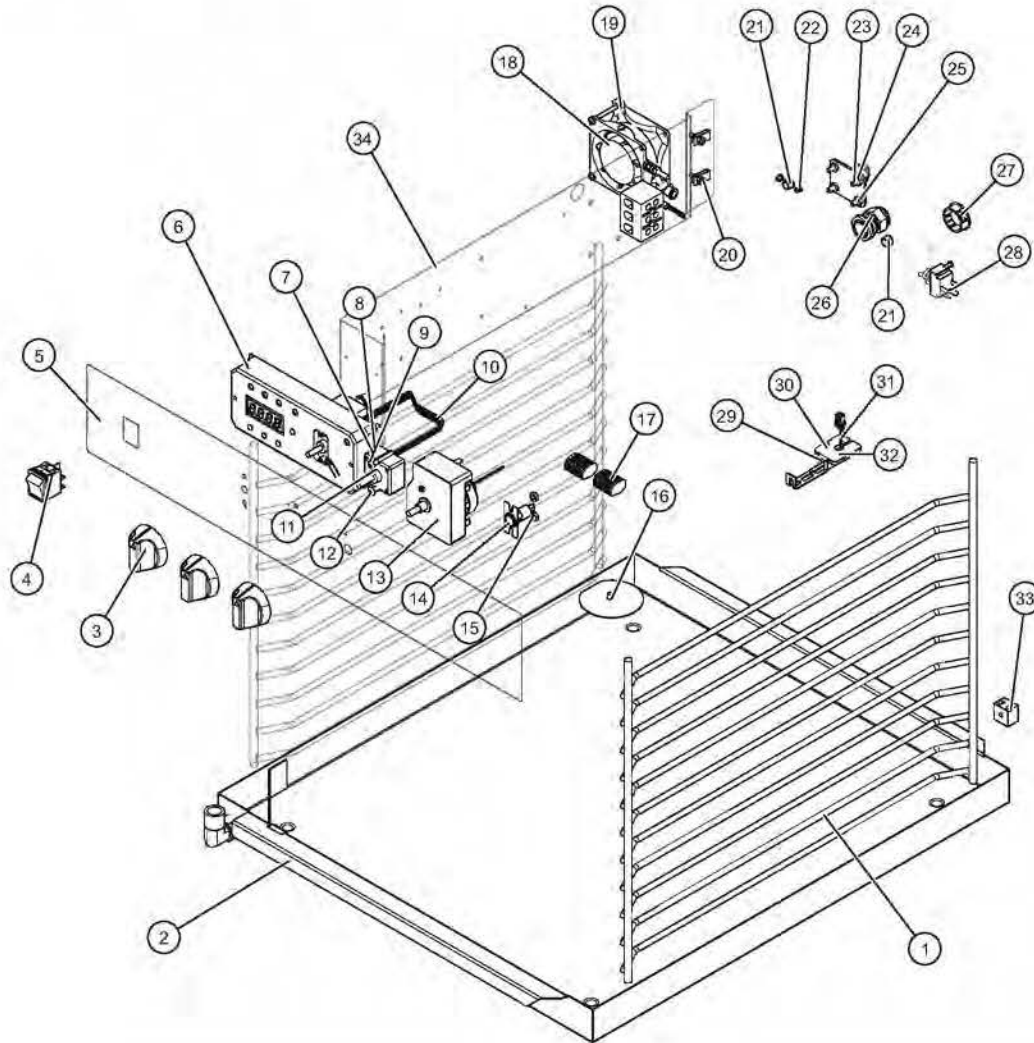
ID	Part No.	Description	Qty
1	BU-3105	BUSHING, MALE CERAMIC	12
2	BU-3106	BUSHING, FEMALE CERAMIC	12
3	NU-22289	NUT, M5-0.8 HEX NUT 18-8 DIN # 934	36
4	IN-22364	INSULATION @ 24" x 91"	2

Control Package "A," 767-SK, 120V



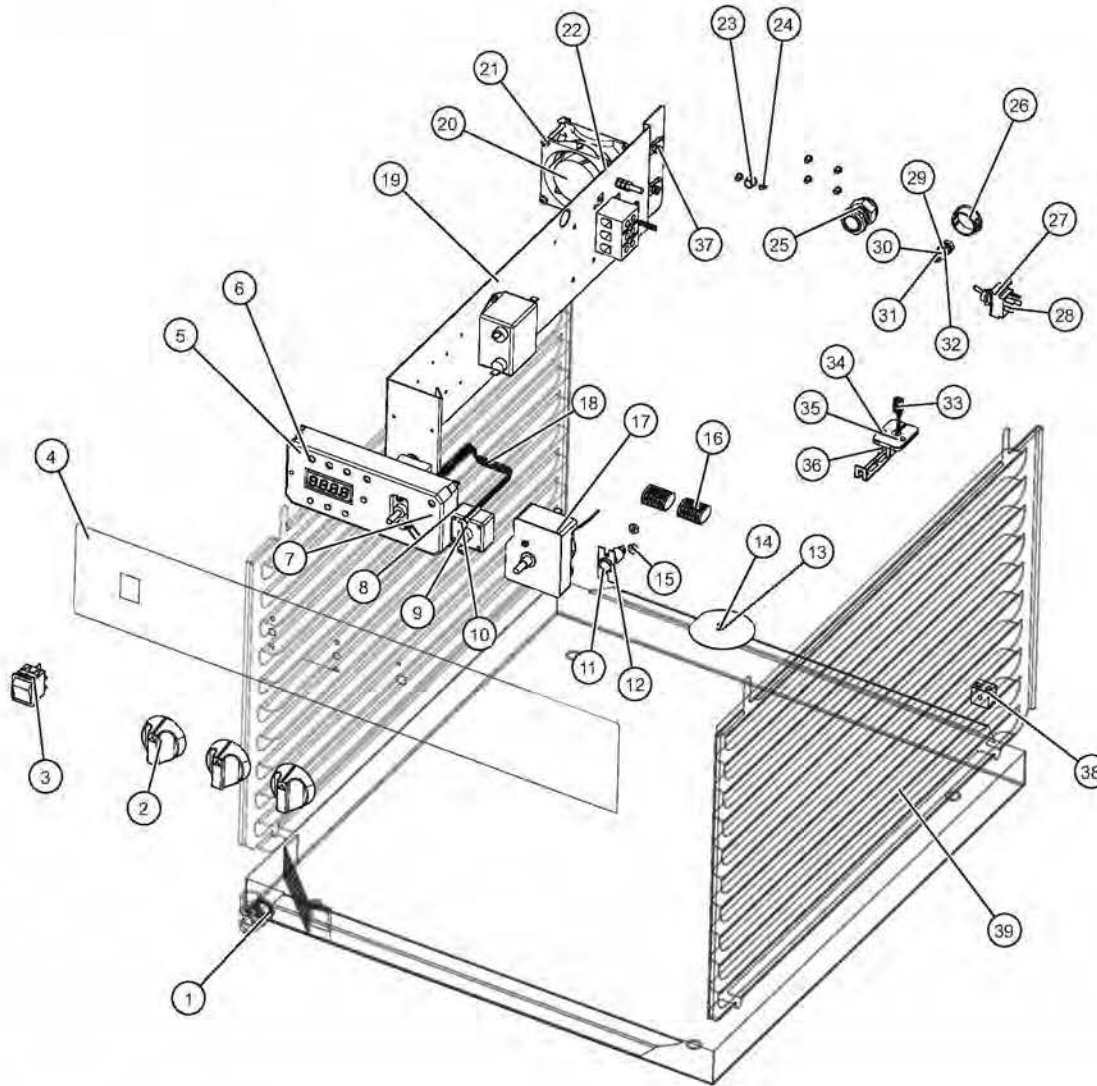
ID	Part No.	Description	Qty
1	14831	DRIP PAN WELD ASSB.	1
2	KN-26568	KNOB, UNIBODY, T-STAT CONTROL	3
3	SW-38665	SWITCH,ROCKER,DPST,20A,125V.	1
4	PE-48055	PANEL,OVERLAY,767-SK SERIES	1
5	CR-34559	CONNECTOR, DBL MALE / SGL FEM	2
6	TT-34910	THERMOSTAT,COOK POD,	1
7	SC-2425	8-32 x 1/2" PHIL SCREW	2
8	TR-34540	TIMER, 1HR, 120V, 60HZ,	1
9	1004360	BRKT, PILOT LIGHT MTG	1
10	NU-2296	NUT, HEX #8-32	2
11	LI-3027	WHITE PILOT LIGHT 110V	1
12	CB-34945	CABLE, WIRE HARNESS, ELAN C&H.	1
13	NU-22286	M4-0.7 HEX NUT 18-8	2
14	WS-22300	WASHER, SPLIT LOCK	2
15	CC-34488R	CONTROL, ELAN	1
16	5014121	CHASSIS,ELEC,767-SK 120V	1
17	FA-3973	FAN, BOX, 115V, 34CFM	1
18	SC-28142	SCREW,M4x0.7X45MM PAN	3
19	NU-38453	NUT,CLIP-ON,M4 X 0.7	5
20	SC-38240	SCREW,M4x0.7X16MM PAN	2
21	PG-28439	PLUG, DOME, .187" HOLE	6
22	PG-25574	3/8" HOLE PLUG	2
23	PG-3325	1.125" HOLE PLUG	1
24	RI-38125	RIVET,SEALED, .125"	2
25	BU-3964	BUSHING,STRAIGHT,STRAIN RELIEF	1
26	CR-34646	CONNECTOR-5 CONDUCTOR	2
27	1006871	NON-PRODUCT PROBE SEAL	1
28	1493	GUARD SENSOR,W/MW	1
29	SC-22271	SCREWS,M4-0.7X6MM PHIL	2
30	SN-38111	SENSOR, 1000 OHM, 110" WIRE,	1
31	BK-29605	BLOCK, SENSOR, ELEC. CONTROL	1
32	BK-33546	BLOCK, 2 TERMINAL, PORCELAIN	1
33	SR-28405	S/S SIDE RACK 750-TH/II,III	2

Control Package "B," 767-SK, 208-240V



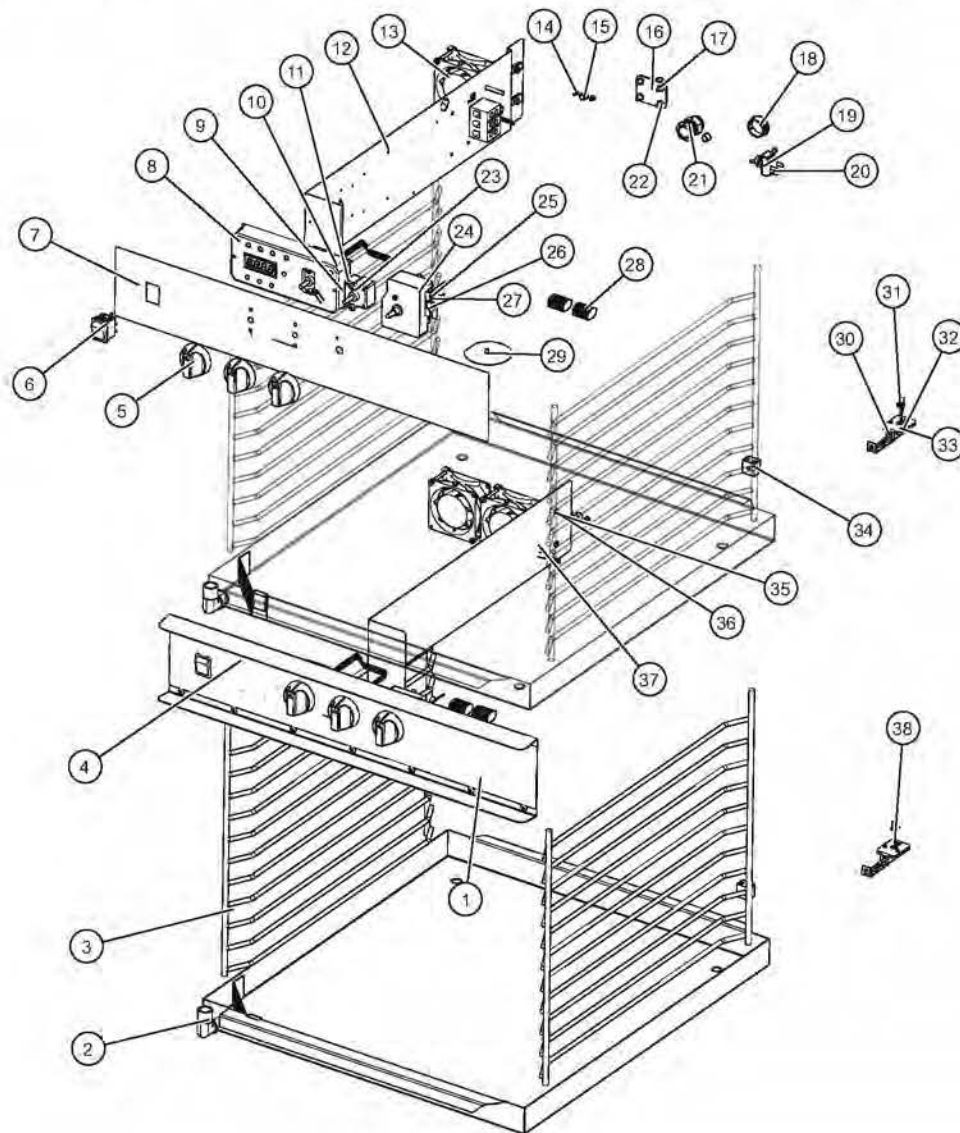
ID	Part No.	Description	Qty
1	SR-28405	S/S SIDE RACK 750-TH/II,III	2
2	14831	DRIP PAN WELD ASSB.	1
3	KN-26568	KNOB, UNIBODY, T-STAT CONTROL	3
4	SW-38665	SWITCH,ROCKER,DPST,20A,125V,	1
5	PE-48055	PANEL,OVERLAY,767-SK SERIES	1
6	CC-34488R	CONTROL, ELAN	1
7	WS-22300	WASHER, SPLIT LOCK	2
8	NU-22286	M4-0.7 HEX NUT 18-8	2
9	CR-34559	CONNECTOR, DBL MALE / SGL FEM	2
10	CB-34945	CABLE, WIRE HARNESS, ELAN C&H,	1
11	TT-34910	THERMOSTAT,COOK POD,	1
12	SC-2425	8-32 x 1/2" PHIL SCREW	2
13	TR-34539	TIMER, 1HR, 208/240V, 50/60HZ,	1
14	1004360	BRKT. PILOT LIGHT MTG	1
15	NU-2296	NUT, HEX #8-32	2
16	1006871	NON-PRODUCT PROBE SEAL	1
17	CR-34646	CONNECTOR-5 CONDUCTOR	2
18	FA-34524	FAN,3" BOX,230V,THERMAL PROTEC	1
19	NU-38453	NUT,CLIP-ON,M4 X 0.7	5
20	SC-38240	SCREW,M4x0.7X16MM PAN	2
21	PG-25574	3/8" HOLE PLUG	2
22	PG-28439	PLUG, DOME, .187" HOLE	2
23	BT-26884	BRACKET, TETHER,	1
24	SC-23670	SCREW,10-32X1/2,NF PHIL,FLAT,	4
25	NU-2215	NUT,10-32 UNF HEX MS,18-8 SST	4
26	BU-3964	BUSHING,STRAIGHT,STRAIN RELIEF	1
27	PG-3325	1.125" HOLE PLUG	1
28	RI-38125	RIVET,SEALED,.125"	2
29	1493	GUARD SENSOR,W/MW	1
30	SC-22271	SCREWS,M4-0.7X6MM PHIL	2
31	SN-38111	SENSOR, 1000 OHM, 110" WIRE,	1
32	BK-29605	BLOCK, SENSOR, ELEC. CONTROL	1
33	BK-33546	BLOCK, 2 TERMINAL, PORCELAIN	1
34	5014124	CHASSIS, ELEC ,767-SK 208/240	1

Control Package "C," 767-SK, 230V



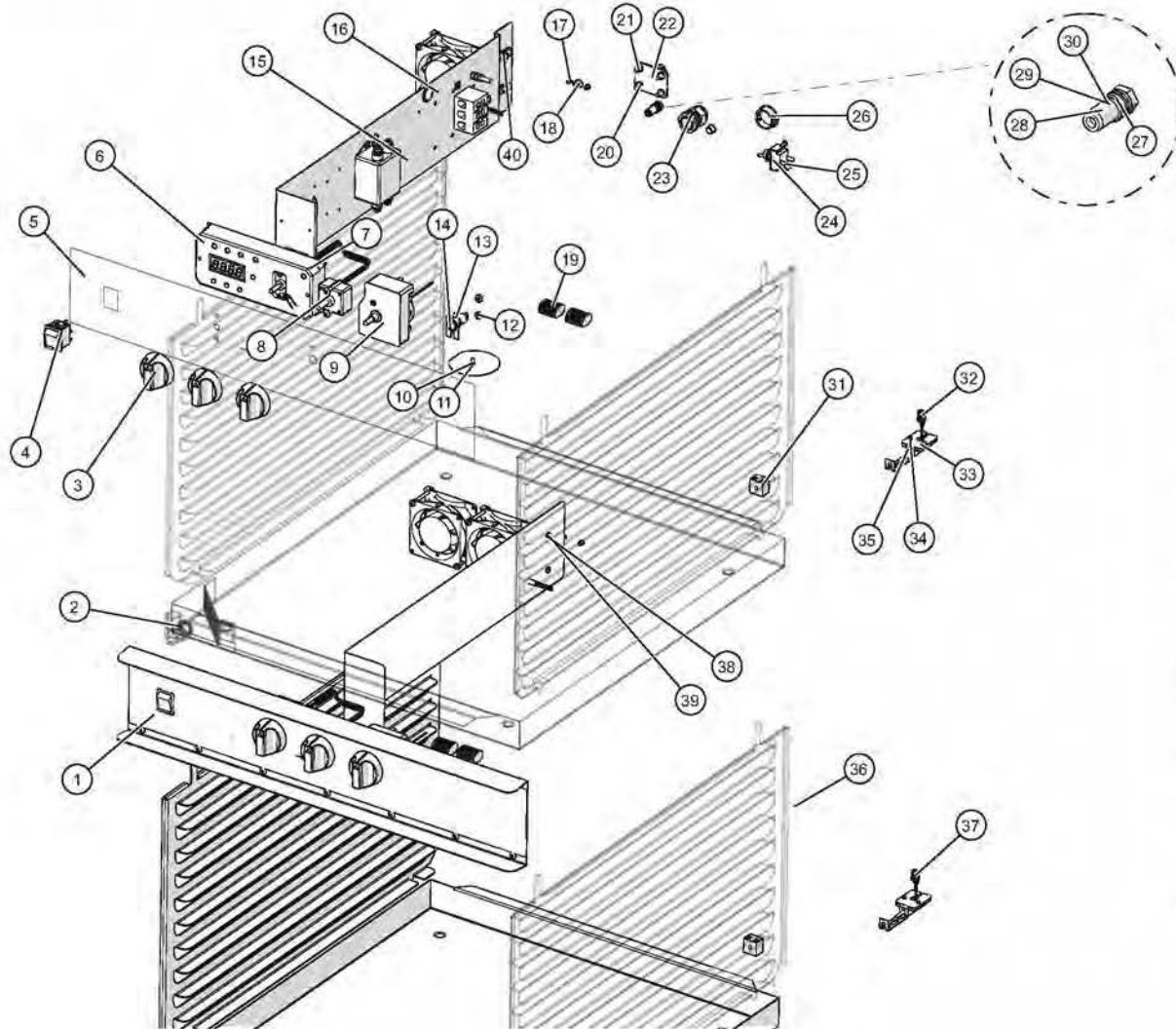
ID	Part No.	Description	Qty
1	14831	DRIP PAN WELD ASSB.	1
2	KN-26568	KNOB, UNIBODY, T-STAT CONTROL	3
3	SW-38665	SWITCH,ROCKER,DPST,20A,125V,	1
4	PE-48055	PANEL,OVERLAY,767-SK SERIES	1
5	CC-34488R	CONTROL, ELAN	1
6	WS-22300	WASHER, SPLIT LOCK,M4, 18-8 SST	2
7	CR-34559	CONNECTOR, DBL MALE / SGL FEM	2
8	NU-22286	M4-0.7 HEX NUT 18-8	2
9	TT-34910	THERMOSTAT,COOK POD,	1
10	SC-2425	8-32 x 1/2" PHIL SCREW	2
11	1004360	BRKT, PILOT LIGHT MTG	1
12	LI-3951	WHITE PILOT LIGHT 250V	1
13	1006871	NON-PRODUCT PROBE SEAL	1
14	SC-2459	8-32 x 1/4" PHIL SCREW	1
15	NU-2296	NUT, HEX #8-32	2
16	CR-34646	CONNECTOR-5 CONDUCTOR	2
17	TR-34539	TIMER, 1HR, 208/240V, 50/60HZ,	1
18	CB-34945	CABLE, WIRE HARNESS, ELAN C&H,	1
19	5014132	767-SK,1000-SK/II 230V ELEC	1
20	NU-38453	NUT,CLIP-ON,M4 X 0.7	5
21	SC-28142	SCREW,M4x0.7X45MM PAN	3
22	FA-34524	FAN,3" BOX,230V,THERMAL PROTEC	1
23	PG-25574	3/8" HOLE PLUG	1
24	PG-28439	PLUG, DOME,,187" HOLE	6
25	BU-3964	BUSHING,STRAIGHT,STRAIN RELIEF	1
26	PG-3325	1.125" HOLE PLUG	1
27	SW-3528	20A,250V, DPST TOGGLE SWITCH	1
28	RI-38125	RIVET,SEALED,,125"	2
29	WS-22302	WASHER, SPLIT LOCK,M6, 18-8 SST	2
30	WS-22297	WASHER, FLAT,M6, 18-8 SST	2
31	NU-22770	NUT, THREADED INSERT, M6	1
32	SC-22924	HHCS, M6 X 20, W/NO MARKING	1
33	SN-38111	SENSOR, 1000 OHM, 110" WIRE,	1
34	SC-22271	SCREWS,M4-0.7X6MM PHIL	2
35	BK-29605	BLOCK, SENSOR, ELEC. CONTROL	1
36	1493	GUARD SENSOR,W/MW	1
37	SC-38240	SCREW,M4x0.7X16MM PAN	2
38	BK-33546	BLOCK, 2 TERMINAL, PORCELAIN	1
39	1010813	PAN SLIDE, 750 (09)	2

Control Package "A," 1767-SK, 208-240V



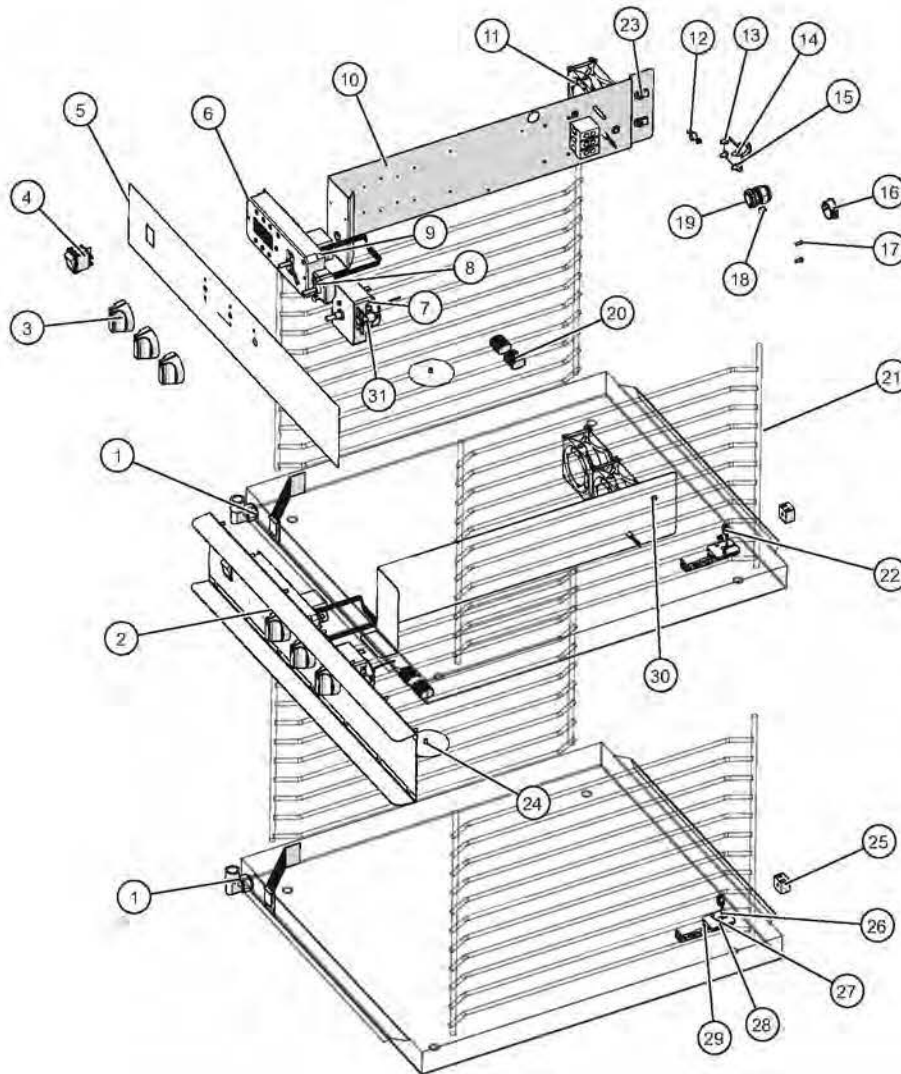
ID	Part No.	Description	Qty
1	SC-2459	8-32 x 1/4" PHIL SCREW	2
2	14831	DRIP PAN WELD ASSB.	2
3	SR-28405	S/S SIDE RACK 750-TH/II,III	4
4	5013052	1767-SK, MID BONNET	1
5	KN-26568	KNOB, UNIBODY, T-STAT CONTROL	3
6	SW-38665	SWITCH,ROCKER,DPST,20A,125V,	1
7	PE-48055	PANEL,OVERLAY,767-SK SERIES	1
8	CC-34488R	CONTROL, ELAN	1
9	CR-34559	CONNECTOR, DBL MALE / SGL FEMALE	2
10	CB-34945	CABLE, WIRE HARNESS, ELAN C&H,	1
11	NU-22286	M4-0.7 HEX NUT 18-8	2
12	5014317	CHASSIS, ELEC,1000-SK 208-240V	1
13	FA-34524	FAN, 3" BOX,230V,THERMAL PROTEC	3
14	PG-28439	PLUG, DOME, .187" HOLE	4
15	PG-25574	3/8" HOLE PLUG	3
16	BT-26884	BRACKET, TETHER.	1
17	NU-2215	NUT,10-32 UNF HEX MS,18-8 SST	4
18	PG-3325	1.125" HOLE PLUG	1
19	SW-3528	20A,250V, DPST TOGGLE SWITCH	1
20	RI-38125	RIVET,SEALED, .125"	2
21	BU-3964	BUSHING,STRAIGHT,STRAIN RELIEF	1
22	SC-23670	SCREW,10-32X1/2,NF PHIL,FLAT,	4
23	TT-34910	THERMOSTAT,COOK POD,	1
24	TR-34539	TIMER, 1HR, 208/240V, 50/60HZ,	1
25	NU-2296	NUT, HEX #8-32	2
26	1004360	BRKT, PILOT LIGHT MTG	1
27	LI-3951	WHITE PILOT LIGHT 250V	1
28	CR-34646	CONNECTOR-5 CONDUCTOR	2
29	1006871	NON-PRODUCT PROBE SEAL	2
30	1493	GUARD SENSOR, W/MW	2
31	SN-47162	SENSOR, 1000 OHM, 40" WIRE,	1
32	SC-22271	SCREWS, M4-0.7X6MM PHIL	4
33	BK-29605	BLOCK, SENSOR, ELEC. CONTROL	2
34	BK-33546	BLOCK, 2 TERMINAL, PORCELAIN	2
35	1011925	AIR SHIELD 1000-TH/I	1
36	SC-38240	SCREW, M4x0.7X16MM PAN	4
37	NU-38453	NUT,CLIP-ON, M4 X 0.7	10
38	SN-38111	SENSOR, 1000 OHM, 110" WIRE,	1

Control Package "B," 1767-SK, 230V



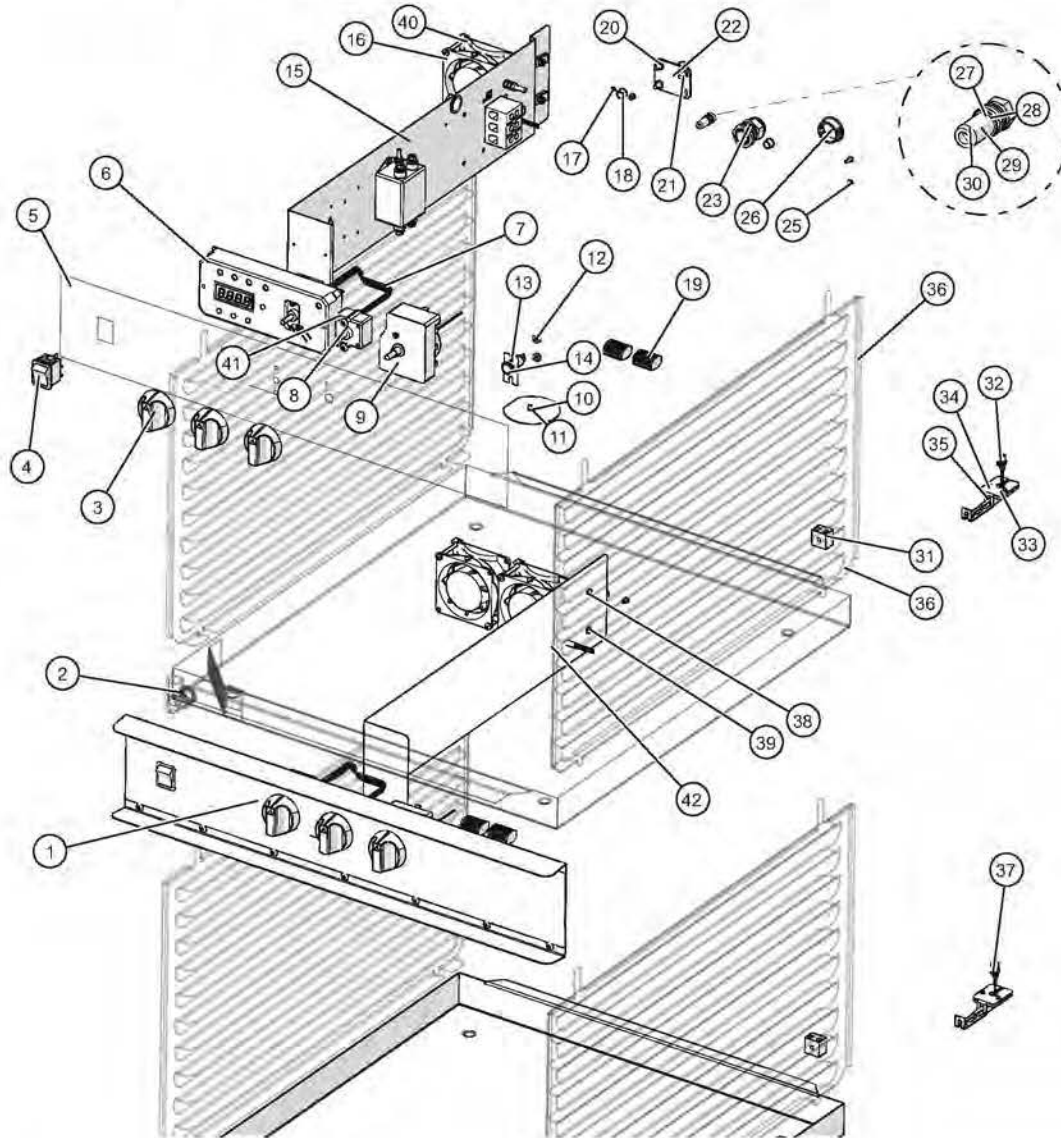
ID	Part No.	Description	Qty
1	5022032	1767-SK, MID BONNET	1
2	14831	DRIP PAN WELD ASSB.	2
3	KN-26568	KNOB, UNIBODY, T-STAT CONTROL	3
4	SW-38665	SWITCH,ROCKER,DPST,20A,125V.	1
5	PE-48055	PANEL_OVERLAY,767-SK SERIES	1
6	CC-34488R	CONTROL, ELAN	1
7	CB-34945	CABLE, WIRE HARNESS, ELAN C&H.	1
8	TT-34910	THERMOSTAT,COOK POD	1
9	TR-34539	TIMER, 1HR, 208/240V, 50/60HZ.	1
10	SC-2459	8-32 x 1/4" PHIL SCREW	2
11	1006871	NON-PRODUCT PROBE SEAL	2
12	NU-2296	NUT, HEX #8-32	2
13	LI-3951	WHITE PILOT LIGHT 250V	1
14	1004360	BRKT, PILOT LIGHT MTG	1
15	5014319	500-TH/II 120V ELEC CHASSIS	1
16	FA-34524	FAN,3" BOX,230V,THERMAL PROTEC	3
17	PG-28439	PLUG, DOME, .187" HOLE	4
18	PG-25574	3/8" HOLE PLUG	2
19	CR-34646	CONNECTOR-5 CONDUCTOR	2
20	SC-23670	SCREW,10-32X1/2,NF PHIL,FLAT.	4
21	NU-2215	NUT,10-32 UNF HEX MS,18-8 SST	4
22	BT-26884	BRACKET, TETHER.	1
23	BU-3964	BUSHING,STRAIGHT,STRAIN RELIEF	1
24	SW-3528	20A,250V, DPST TOGGLE SWITCH	1
25	RI-38125	RIVET,SEALED,.125"	2
26	PG-3325	1.125" HOLE PLUG	1
27	SC-22924	HHCS, M6 X 20, W/NO MARKING	2
28	NU-22770	NUT, THREADED INSERT, M6	2
29	WS-22302	WASHER, SPLIT LOCK, M6, 18-8 SST	4
30	WS-22297	WASHER, FLAT, M6, 18-8 SST	4
31	BK-33546	BLOCK, 2 TERMINAL, PORCELAIN	2
32	SN-47162	SENSOR, 1000 OHM, 40" WIRE.	1
33	BK-29605	BLOCK, SENSOR, ELEC. CONTROL	2
34	SC-22271	SCREWS, M4x0.7X6MM PHIL	4
35	1493	GUARD SENSOR,W/MW	2
36	1010813	PAN SLIDE, 750 (09)	4
37	SN-38111	SENSOR, 1000 OHM, 110" WIRE.	1
38	1011925	AIR SHIELD 1000-TH/I	1
39	SC-38240	SCREW, M4x0.7X16MM PAN	4
40	NU-38453	NUT,CLIP-ON, M4 X 0.7	10

Control Package "C," 1767-SK, 208-240V



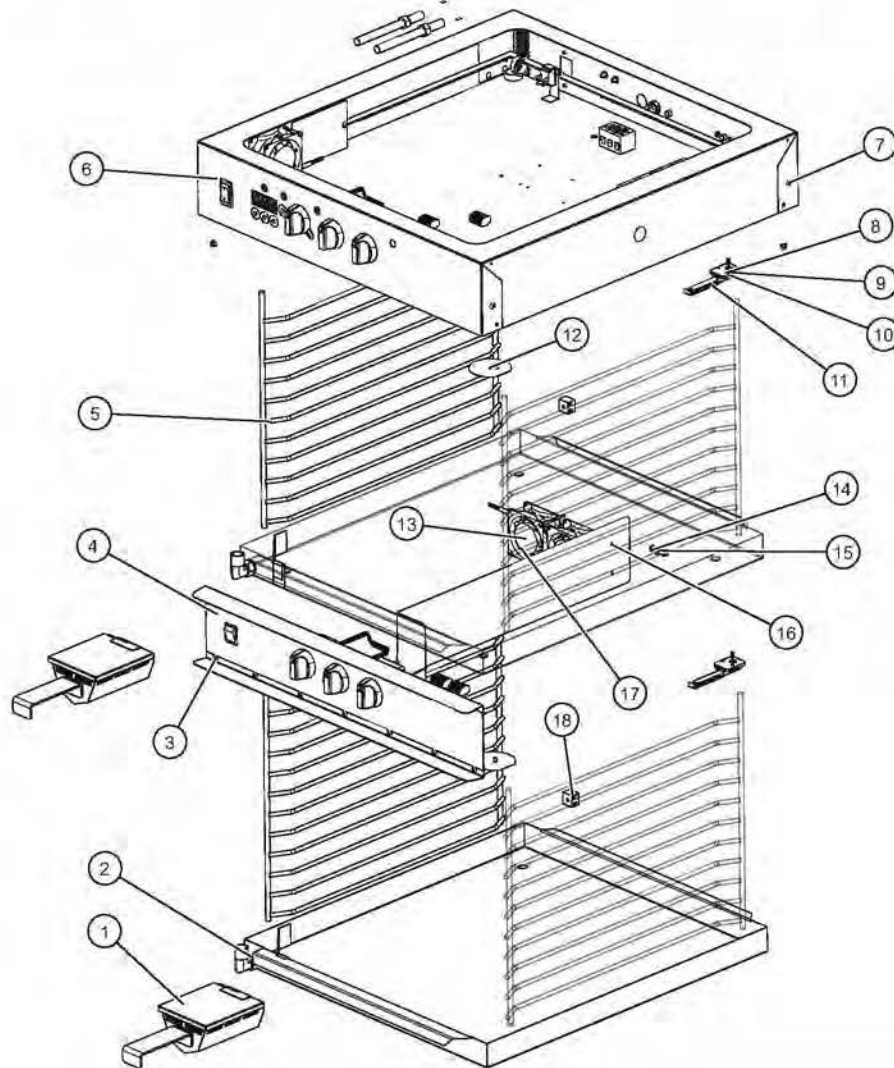
ID	Part No.	Description	Qty
1	14831	DRIP PAN WELD ASSB,	2
2	5013052	1767-SK, MID BONNET	1
3	KN-26568	KNOB, UNIBODY, T-STAT CONTROL	3
4	SW-38665	SWITCH,ROCKER,DPST,20A,125V,	1
5	PE-48055	PANEL,OVERLAY,767-SK SERIES	1
6	CC-34488R	CONTROL, ELAN	1
7	TR-34540	TIMER, 1HR, 120V, 60HZ,	1
8	TT-34910	THERMOSTAT,COOK POD,	1
9	CB-34945	CABLE, WIRE HARNESS, ELAN C&H,	1
10	5014317	CHASSIS, ELEC,1000-SK 208-240V	1
11	FA-34524	FAN,3" BOX,230V,THERMAL PROTEC	3
12	PG-28439	PLUG, DOME, .187" HOLE	4
13	NU-2215	NUT,10-32 UNF HEX MS,18-8 SST	4
14	BT-26884	BRACKET, TETHER,	1
15	SC-23670	SCREW,10-32X1/2,NF PHIL,FLAT,	4
16	PG-3325	1.125" HOLE PLUG	1
17	RI-38125	RIVET,SEALED,.125"	2
18	PG-25574	3/8" HOLE PLUG	2
19	BU-3964	BUSHING,STRAIGHT,STRAIN RELIEF	1
20	CR-34646	CONNECTOR-5 CONDUCTOR	2
21	SR-28405	S/S SIDE RACK 750-TH/II,III	4
22	SN-47162	SENSOR, 1000 OHM, 40" WIRE,	1
23	SC-38240	SCREW,M4x0.7X16MM PAN	4
24	1006871	NON-PRODUCT PROBE SEAL	2
25	BK-33546	BLOCK, 2 TERMINAL, PORCELAIN	2
26	SN-38111	SENSOR, 1000 OHM, 110" WIRE,	1
27	SC-22271	SCREWS,M4-0.7X6MM PHIL	4
28	BK-29605	BLOCK, SENSOR, ELEC. CONTROL	2
29	1493	GUARD SENSOR,W/MW	2
30	1011925	AIR SHIELD 1000-TH/I	1
31	LI-3951	WHITE PILOT LIGHT 250V	1

Control Package "D," 1767-SK, 230V



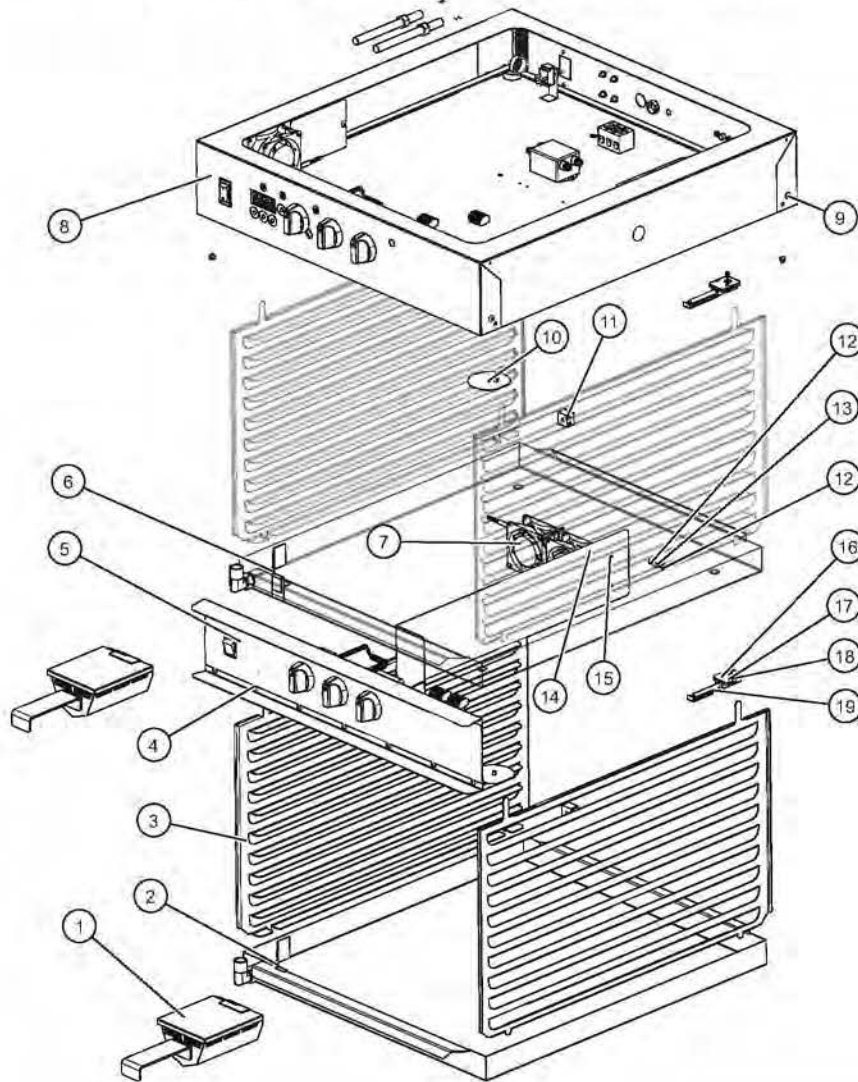
ID	Part No.	Description	Qty
1	5022032	1767-SK, MID BONNET	1
2	14831	DRIP PAN WELD ASSB.	2
3	KN-26568	KNOB, UNIBODY, T-STAT CONTROL	3
4	SW-38665	SWITCH,ROCKER,DPST,20A,125V,	1
5	PE-48055	PANEL,OVERLAY,767-SK SERIES	1
6	CC-34488R	CONTROL, ELAN	1
7	CB-34945	CABLE, WIRE HARNESS, ELAN C&H,	1
8	TT-34910	THERMOSTAT,COOK POD,	1
9	TR-345	TIMER, 1HR,	2
10	SC-2459	8-32 x 1/4" PHIL SCREW	2
11	1006871	NON-PRODUCT PROBE SEAL	2
12	NU-2296	NUT, HEX #8-32	2
13	LI-3951	WHITE PILOT LIGHT 250V	1
14	1004360	BRKT, PILOT LIGHT MTG	1
15	5014319	500-TH/II 120V ELEC CHASSIS	1
16	FA-34524	FAN,3" BOX,230V,THERMAL PROTEC	3
17	PG-28439	PLUG, DOME, 187" HOLE	4
18	PG-25574	3/8" HOLE PLUG	2
19	CR-34646	CONNECTOR-5 CONDUCTOR	2
20	SC-23670	SCREW,10-32X1/2,NF PHIL,FLAT,	4
21	NU-2215	NUT,10-32 UNF HEX MS,18-8 SST	4
22	BT-26884	BRACKET, TETHER.	1
23	BU-3964	BUSHING,STRAIGHT,STRAIN RELIEF	1
25	RI-38125	RIVET SEALED, 125"	2
26	PG-3325	1.125" HOLE PLUG	1
27	WS-22302	WASHER, SPLIT LOCK,M6, 18-8 SST	2
28	SC-22924	HHCS, M6 X 20, W/NO MARKING	1
29	WS-22297	WASHER, FLAT,M6, 18-8 SST	2
30	NU-22770	NUT, THREADED INSERT, M6	1
31	BK-33546	BLOCK, 2 TERMINAL, PORCELAIN	2
32	SN-47162	SENSOR, 1000 OHM, 40" WIRE,	1
33	BK-29605	BLOCK, SENSOR, ELEC. CONTROL	2
34	SC-22271	SCREWS,M4x0.7X6MM PHIL	4
35	1493	GUARD SENSOR,W/MW	2
36	1010813	PAN SLIDE, 750 (09)	4
37	SN-38111	SENSOR, 1000 OHM, 110" WIRE,	1
38	1011925	AIR SHIELD 1000-TH/I	1
39	SC-38240	SCREW,M4x0.7X16MM PAN	2
40	NU-38453	NUT,CLIP-ON,M4 X 0.7	10
41	NU-22286	M4-0.7 HEX NUT 18-8	2
42	SC-28142	SCREW,M4x0.7X45MM PAN	6

Control Package "G," 1767-SK, 208-240V



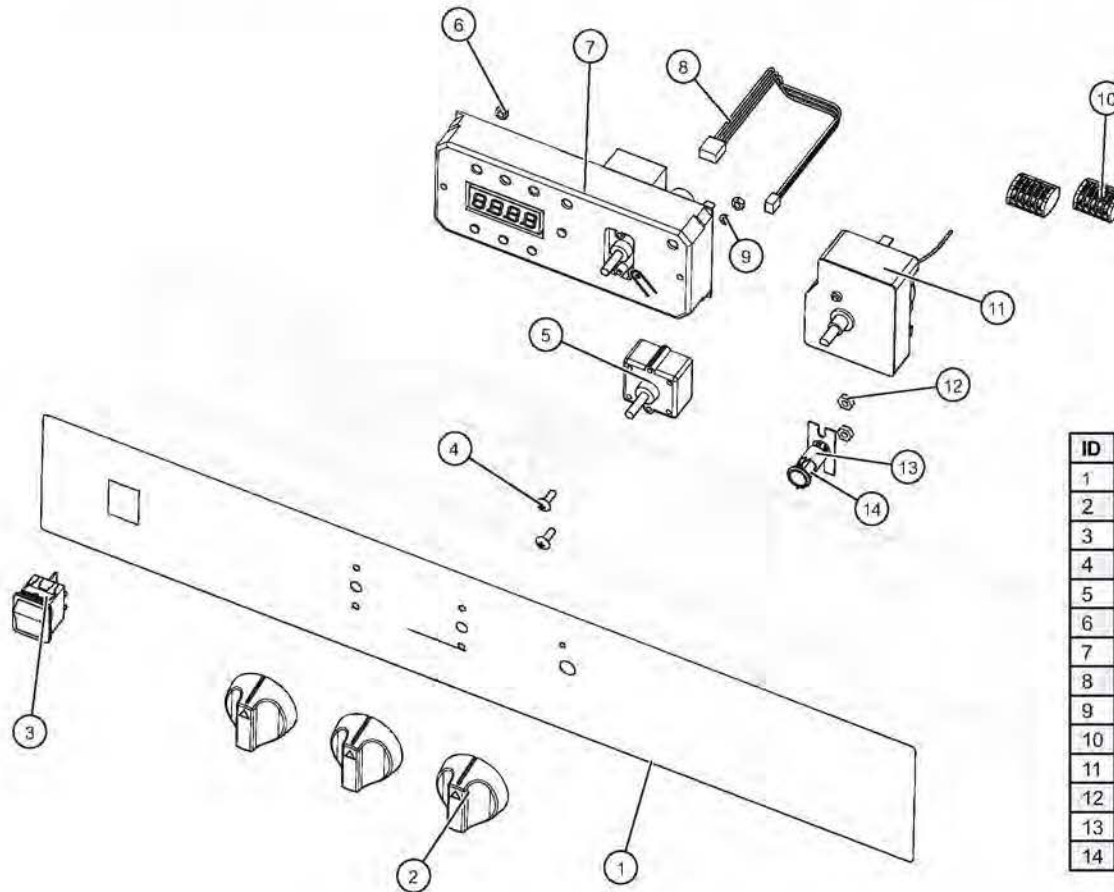
ID	Part No.	Description	Qty
1	4652	CHIP TRAY WELD	2
2	14831	DRIP PAN WELD ASSB,	2
3	SC-2425	8-32 x 1/2" PHIL SCREW	14
4	5013052	1767-SK, MID BONNET	1
5	SR-28405	S/S SIDE RACK 750-TH/II,III	4
6	5013053	1767-SK, 208/240V 250T ELAN BONNET ASSB	1
7	SC-2459	8-32 x 1/4" PHIL SCREW	10
8	PR-34494	PROBE, ELAN CONTROL CC-34488	2
9	BK-29606	ELAN CONTROL SENSOR BLOCK	2
10	SC-22271	SCREWS,M4-0.7X6MM PHIL	6
11	1008272	BRACKET, SENSOR MTG.	2
12	1006871	NON-PRODUCT PROBE SEAL	2
13	FA-34524	FAN,3" BOX,230V,THERMAL PROTEC	2
14	NU-22286	M4-0.7 HEX NUT 18-8	2
15	PG-25574	3/8" HOLE PLUG	1
16	1011925	AIR SHIELD 1000-TH/I	1
17	SC-23154	8-32 X 2 SLOT PAN HEAD 18-8 S.S.	5
18	BK-33546	BLOCK, 2 TERMINAL, PORCELAIN	2

Control Package "H," 1767-SK, 230V



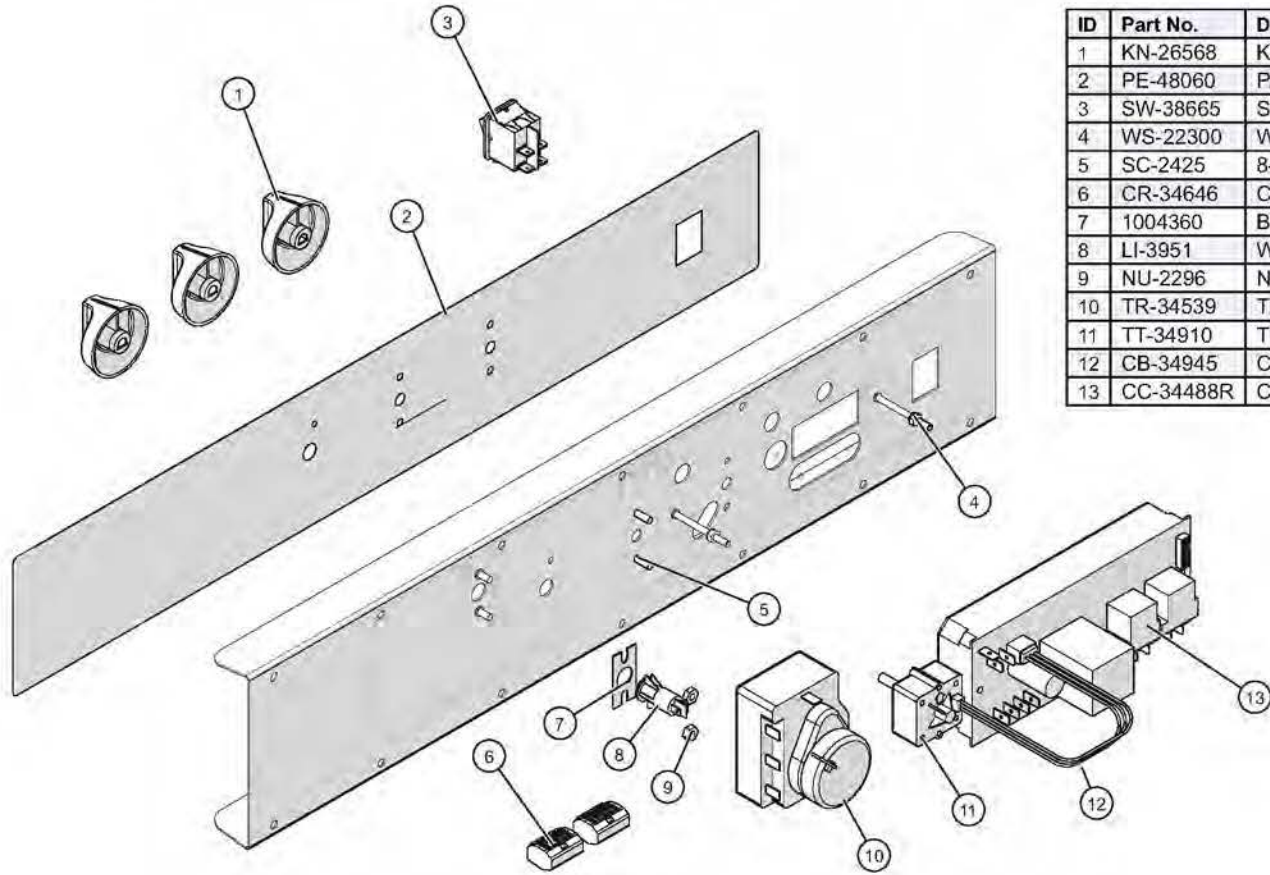
ID	Part No.	Description	Qty
1	4652	CHIP TRAY WELD	2
2	14831	DRIP PAN WELD ASSB,	2
3	1010813	PAN SLIDE, 750 (09)	4
4	SC-2425	8-32 x 1/2" PHIL SCREW	14
5	5013052	1767-SK, MID BONNET	1
6	11292	SCREEN, GREASE TRAY	2
7	FA-34524	FAN, 3" BOX, 230V, THERMAL PROTEC	2
8	5013055	1767-SK, 230V 121C ELAN	1
9	SC-2459	8-32 x 1/4" PHIL SCREW	10
10	1006871	NON-PRODUCT PROBE SEAL	2
11	BK-33546	BLOCK, 2 TERMINAL, PORCELAIN	2
12	NU-22286	M4-0.7 HEX NUT 18-8	2
13	PG-25574	3/8" HOLE PLUG	1
14	SC-23154	8-32 X 2 SLOT PAN HEAD 18-8 S.S.	5
15	1011925	AIR SHIELD 1000-TH/I	1
16	SC-22271	SCREWS, M4-0.7X6MM PHIL	6
17	PR-34494	PROBE, ELAN CONTROL CC-34488	2
18	BK-29606	ELAN CONTROL SENSOR BLOCK	2
19	1008272	BRACKET, SENSOR MTG.	2

Mid-Bonnet Assembly, 1767-SK, 208-240V



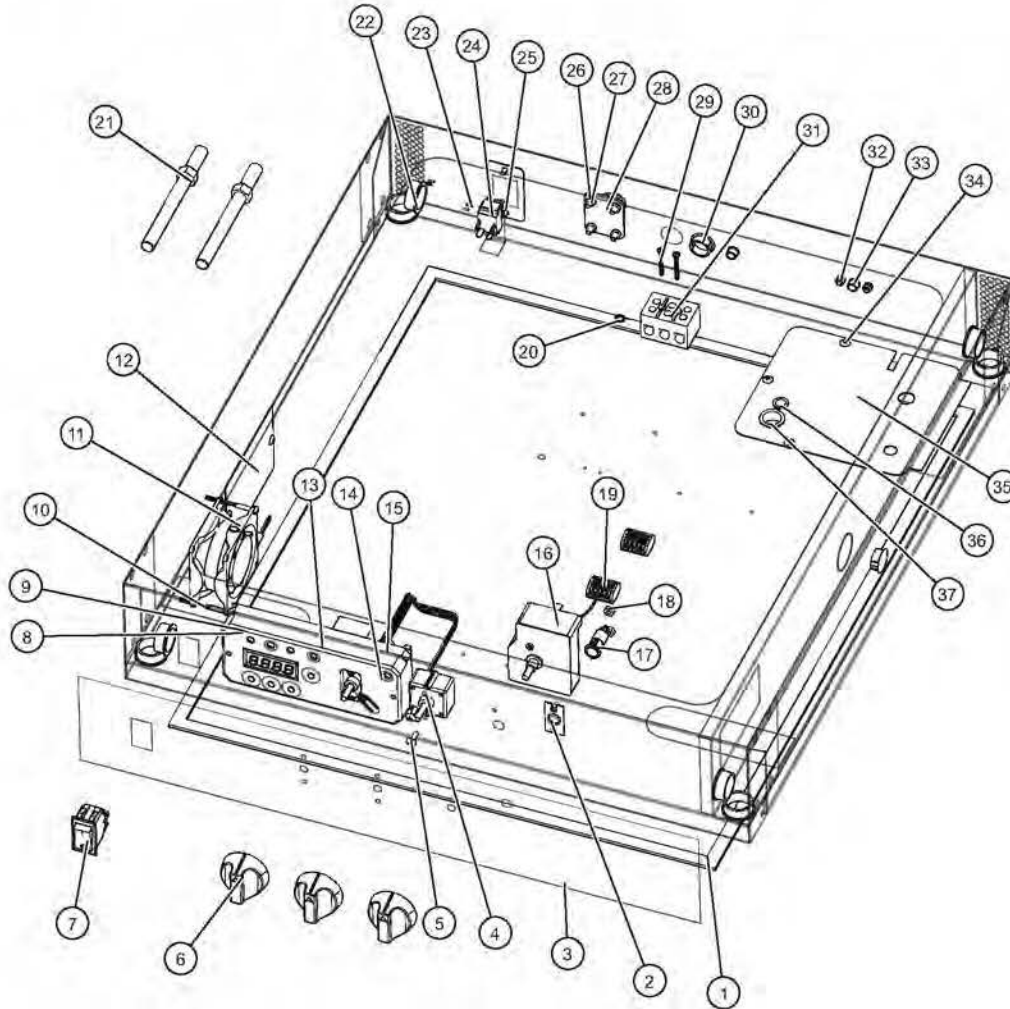
ID	Part No.	Description	Qty
1	PE-48060	PANEL,MIDBONNET OVERLAY 1767	1
2	KN-26568	KNOB, UNIBODY, T-STAT CONTROL	3
3	SW-38665	SWITCH,ROCKER,DPST,20A,125V,	1
4	SC-2425	8-32 x 1/2" PHIL SCREW	2
5	TT-34910	THERMOSTAT,COOK POD,	1
6	NU-22286	M4-0.7 HEX NUT 18-8	2
7	CC-34488R	CONTROL, ELAN	1
8	CB-34945	CABLE, WIRE HARNESS, ELAN C&H,	1
9	WS-22300	WASHER, SPLIT LOCK	2
10	CR-34646	CONNECTOR-5 CONDUCTOR	2
11	TR-34539	TIMER, 1HR, 208/240V, 50/60HZ,	1
12	NU-2296	NUT, HEX #8-32	2
13	1004360	BRKT, PILOT LIGHT MTG	1
14	LI-3951	WHITE PILOT LIGHT 250V	1

Mid-Bonnet Assembly, 1767-SK, 230V



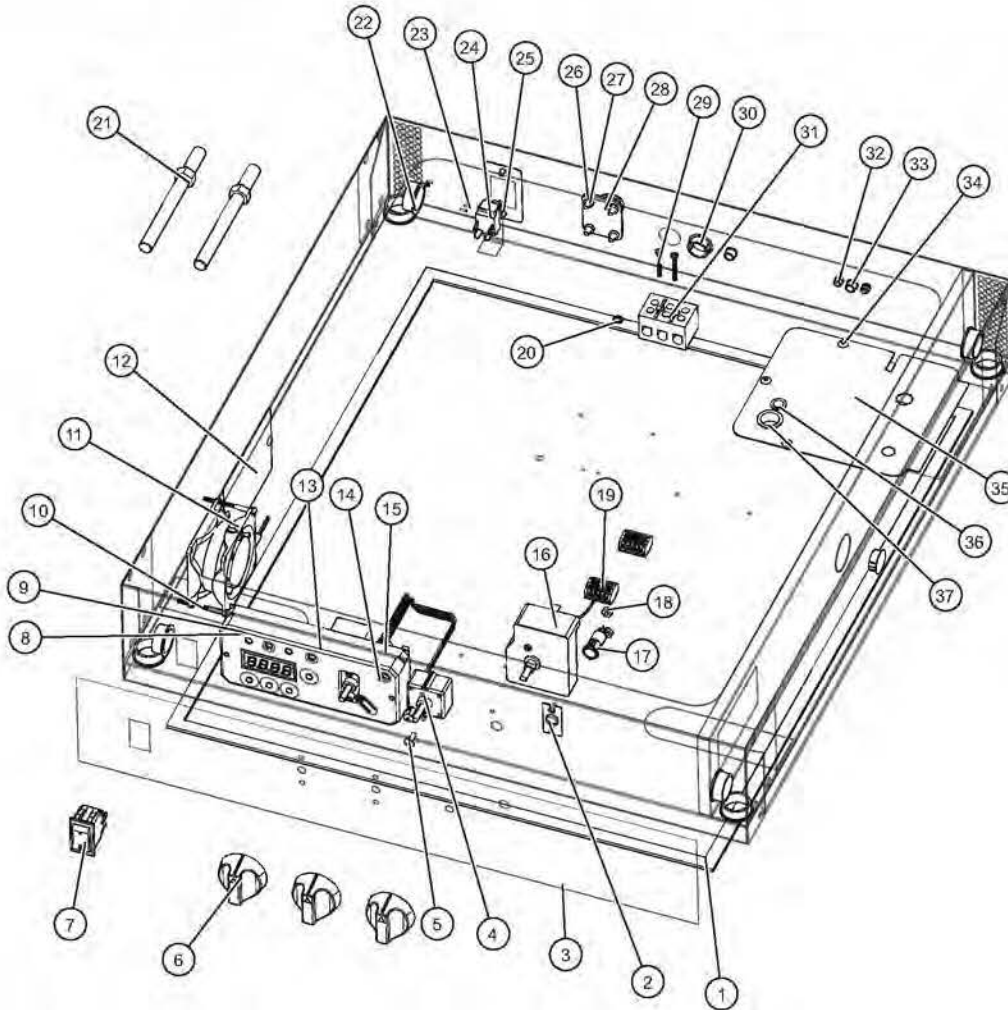
ID	Part No.	Description	Qty
1	KN-26568	KNOB, UNIBODY, T-STAT CONTROL	3
2	PE-48060	PANEL, MIDBONNET OVERLAY 1767	1
3	SW-38665	SWITCH,ROCKER,DPST,20A,125V,	1
4	WS-22300	WASHER, SPLIT LOCK	2
5	SC-2425	8-32 x 1/2" PHIL SCREW	2
6	CR-34646	CONNECTOR-5 CONDUCTOR	2
7	1004360	BRKT, PILOT LIGHT MTG	1
8	LI-3951	WHITE PILOT LIGHT 250V	1
9	NU-2296	NUT, HEX #8-32	2
10	TR-34539	TIMER, 1HR, 208/240V, 50/60HZ,	1
11	TT-34910	THERMOSTAT,COOK POD,	1
12	CB-34945	CABLE, WIRE HARNESS, ELAN C&H,	1
13	CC-34488R	CONTROL, ELAN	1

Bonnet Assembly, 1767-SK, 208-240V



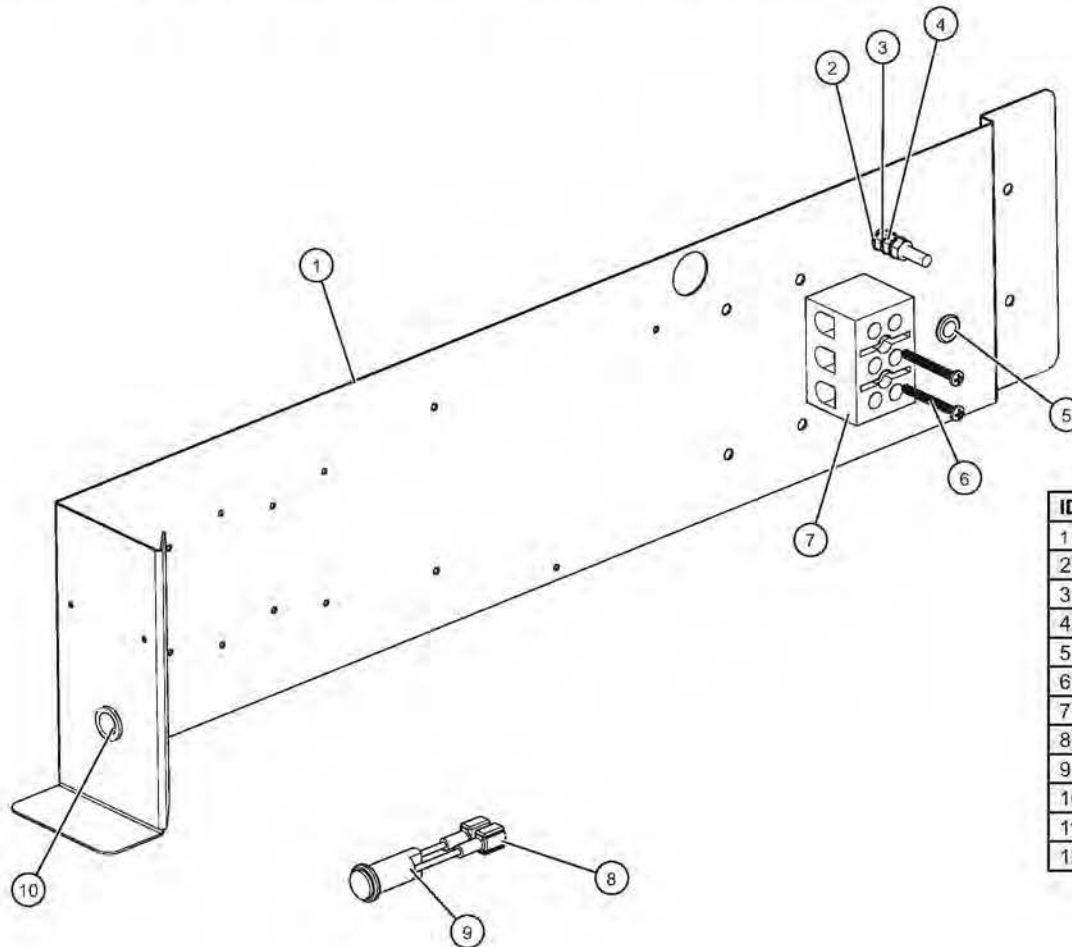
ID	Part No.	Description	Qty
1	GS-2019	1/2" SELF ADHESIVE GASKET	1
2	1004360	BRKT, PILOT LIGHT MTG	1
3	PE-29361	OVERLAY, 767, 1767-SK ELAN CONTROL	1
4	TT-34910	THERMOSTAT, COOK POD,	1
5	SC-2425	8-32 x 1/2" PHIL SCREW	2
6	KN-26568	KNOB, UNIBODY, T-STAT CONTROL	3
7	SW-34769	SWITCH,ROCKER,125-277V,20A	1
8	WS-22300	WASHER, SPLIT LOCK,M4, 18-8 SST	2
9	NU-22286	M4-0.7 HEX NUT 18-8	4
10	SC-23154	8-32 X 2 SLOT PAN HEAD 18-8 S.S.	2
11	FA-34524	FAN,3" BOX,230V,THERMAL PROTEC	1
12	1011565	FAN TUNNEL COVER, TH/II SERIES	1
13	CC-34488R	CONTROL, ELAN	1
14	CR-34559	CONNECTOR,DBL MALE / SGL FEMALE	2
15	CB-34945	CABLE, WIRE HARNESS, ELAN C&H,	1
16	TR-34539	TIMER, 1HR, 208/240V, 50/60HZ,	1
17	LI-3951	WHITE PILOT LIGHT 250V	1
18	NU-2296	NUT, HEX #8-32	2
19	CR-34646	CONNECTOR-5 CONDUCTOR	2
20	WS-2467	WASHER, INT. LOCK,#10, 410 SST	1
21	EL-35022	ELEMENT, SMOKE HEATER, 208V 250W	2
22	BU-3378	1 1/8" SNAP BUSHING	8
23	CR-34827	CONNECTOR, FERRULE #18	4
24	SW-3528	20A,250V, DPST TOGGLE SWITCH	1
25	11133	SWITCH COVER	1
26	SC-23670	SCREW,10-32X1/2,NF PHIL,FLAT,	4
27	NU-2215	NUT,10-32 UNF HEX MS,18-8 SST	4
28	BT-26884	BRACKET, TETHER.	1
29	SC-2365	6-32 X 1 1/4" ROUND HD	2
30	PG-3589	PLUG,HOLE,13/16,HEYCO #2693	2
31	BK-3019	T-BLOCK	1
32	SC-22271	SCREWS,M4-0.7X6MM PHIL.	2
33	PG-25574	3/8" HOLE PLUG	2
34	SC-2459	8-32 x 1/4" PHIL SCREW	7
35	1009990	ACCESS COVER, 1000/1200-TH/III	1
36	BU-3006	1/2" HOLE BUSHING	1
37	BU-3007	7/8" SNAP BUSHING, BLACK	1

Bonnet Assembly, 1767-SK, 230V



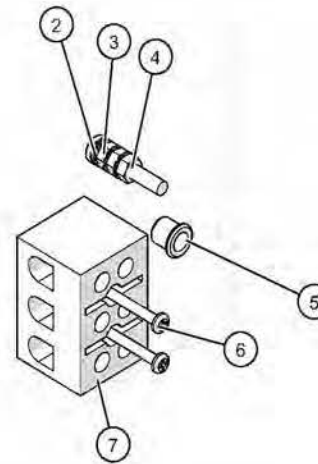
ID	Part No.	Description	Qty
1	GS-2019	1/2" SELF ADHESIVE GASKET	1
2	1004360	BRKT, PILOT LIGHT MTG	1
3	PE-29361	OVERLAY, 767, 1767-SK ELAN CONTROL	1
4	TT-34910	THERMOSTAT, COOK POD,	1
5	SC-2425	8-32 x 1/2" PHIL SCREW	2
6	KN-26568	KNOB, UNIBODY, T-STAT CONTROL	3
7	SW-34769	SWITCH,ROCKER,125-277V,20A	1
8	WS-22300	WASHER, SPLIT LOCK,M4, 18-8 SST	2
9	NU-22286	M4-0.7 HEX NUT 18-8	4
10	SC-23154	8-32 X 2 SLOT PAN HEAD 18-8 S.S.	2
11	FA-34524	FAN,3" BOX,230V,THERMAL PROTEC	1
12	1011565	FAN TUNNEL COVER, TH/II SERIES	1
13	CC-34488R	CONTROL, ELAN	1
14	CR-34559	CONNECTOR,DBL MALE / SGL FEMALE	2
15	CB-34945	CABLE, WIRE HARNESS, ELAN C&H,	1
16	TR-34539	TIMER, 1HR, 208/240V, 50/60HZ,	1
17	LI-3951	WHITE PILOT LIGHT 250V	1
18	NU-2296	NUT, HEX #8-32	2
19	CR-34646	CONNECTOR-5 CONDUCTOR	2
20	WS-2467	WASHER, INT. LOCK,#10, 410 SST	1
21	EL-35022	ELEMENT, SMOKE HEATER, 208V 250W	2
22	BU-3378	1 1/8" SNAP BUSHING	8
23	CR-34827	CONNECTOR, FERRULE #18	4
24	SW-3528	20A,250V, DPST TOGGLE SWITCH	1
25	11133	SWITCH COVER	1
26	SC-23670	SCREW,10-32X1/2,NF PHIL,FLAT,	4
27	NU-2215	NUT,10-32 UNF HEX MS,18-8 SST	4
28	BT-26884	BRACKET, TETHER.	1
29	SC-2385	6-32 X 1 1/4" ROUND HD	2
30	PG-3589	PLUG,HOLE,13/16,HEYCO #2693	2
31	BK-3019	T-BLOCK	1
32	SC-22271	SCREWS,M4-0.7X6MM PHIL	2
33	PG-25574	3/8" HOLE PLUG	2
34	SC-2459	8-32 x 1/4" PHIL SCREW	7
35	1009990	ACCESS COVER, 1000/1200-TH/III	1
36	BU-3006	1/2" HOLE BUSHING	1
37	BU-3007	7/8" SNAP BUSHING, BLACK	1

Electrical Chassis Assembly, 767-SK, 120V



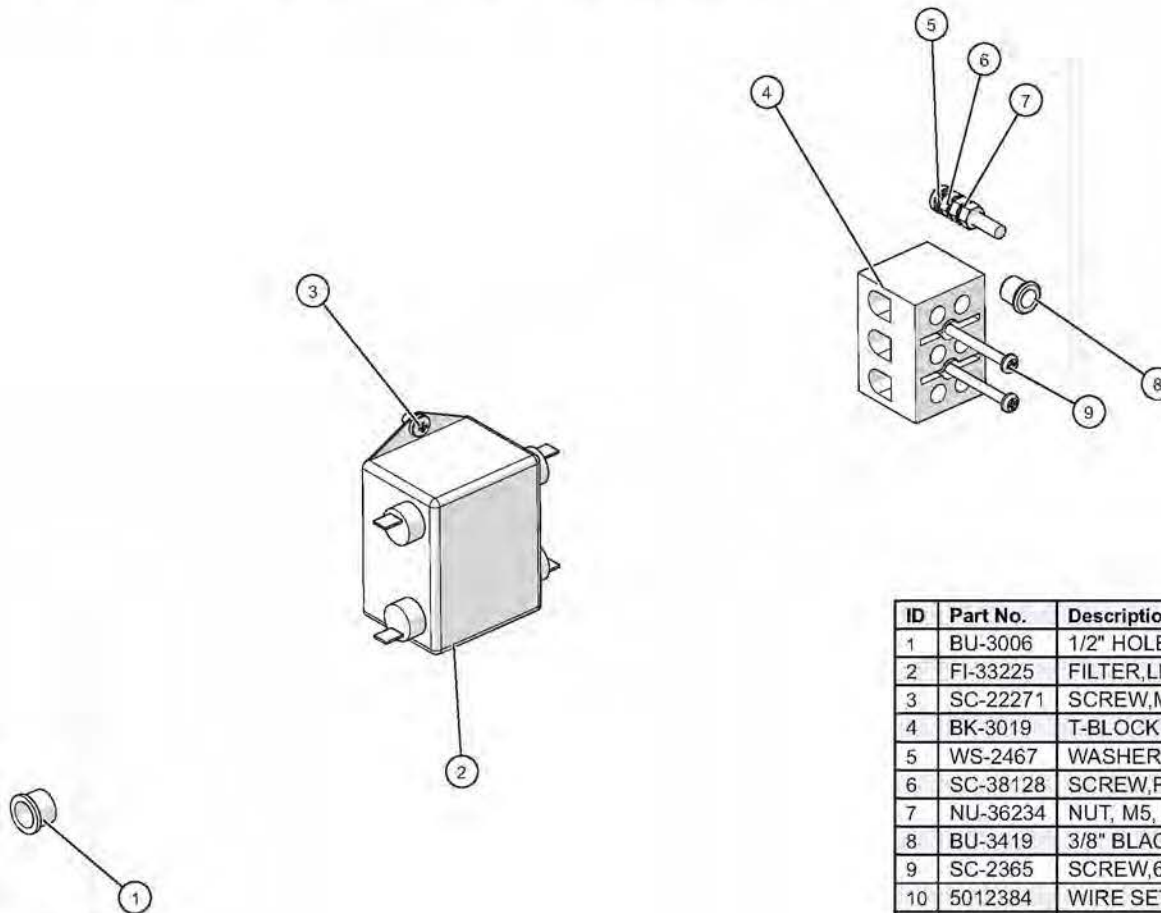
ID	Part No.	Description	Qty
1	1012603	750,1000,1200-TH AIR SHIELD	1
2	WS-2467	WASHER, INT. LOCK	1
3	SC-38128	SCREW,PAN PH, METRIC, M5	1
4	NU-36234	NUT, M5, KEPS	3
5	BU-3419	3/8" BLACK HOLE BUSHING	1
6	SC-2365	SCREW,6-32 X 1 1/4" ROUND HD	2
7	BK-3019	T-BLOCK	1
8	CR-34638	CONNECTOR, QUICK DISCONNECT	2
9	LI-3027	WHITE PILOT LIGHT 110V	1
10	BU-3006	1/2" HOLE BUSHING	1
11	5012383	ELAN WIRESET, 120V (not shown)	1
12	5012386	SMOKER WIRESET (not shown)	1

Electrical Chassis Assembly, 767-SK, 208-240V



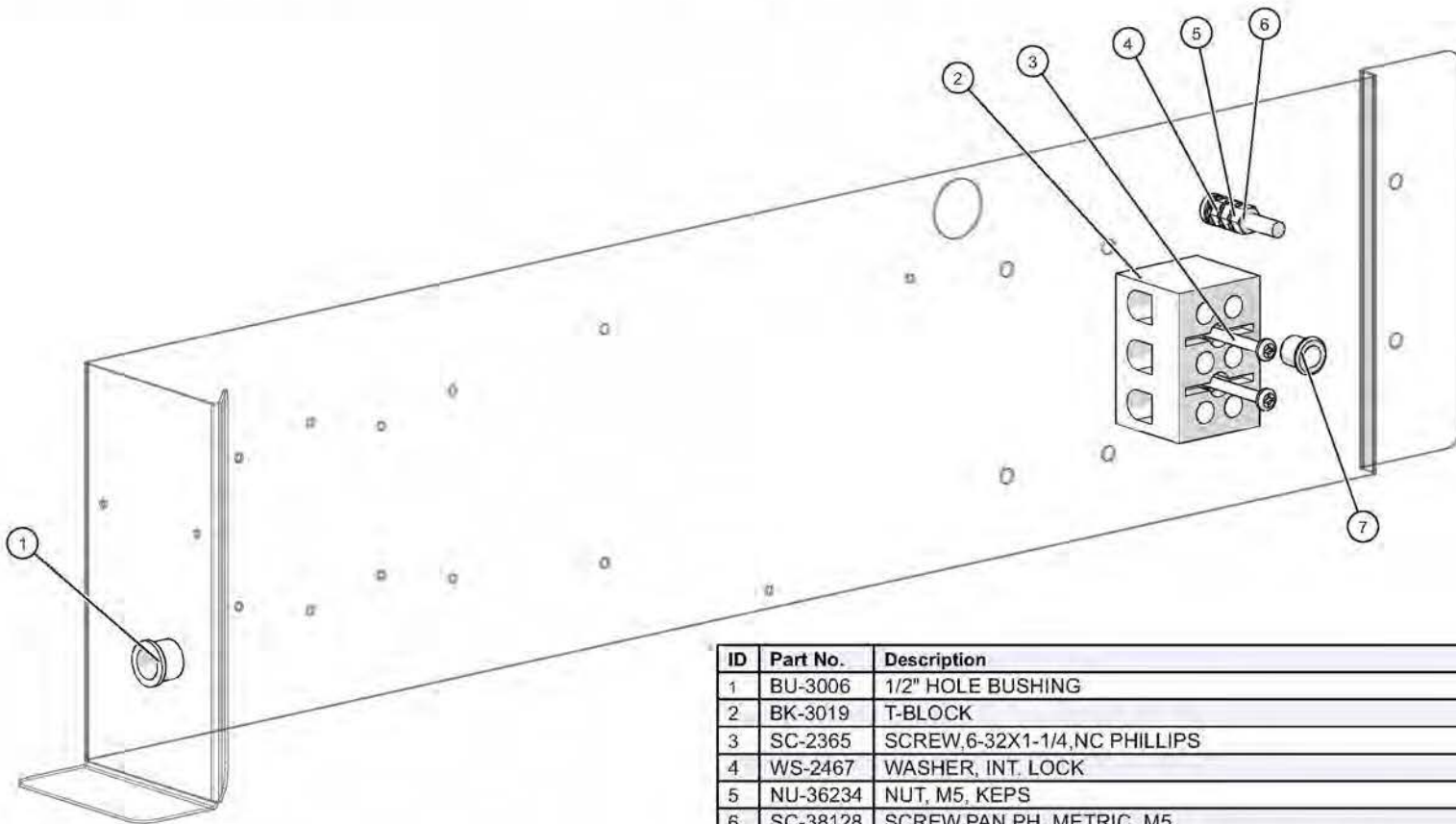
ID	Part No.	Description	Qty
1	BU-3006	1/2" HOLE BUSHING	1
2	WS-2467	WASHER, INT. LOCK	1
3	SC-38128	SCREW,PAN PH, METRIC, M5	1
4	NU-36234	NUT, M5, KEPS	3
5	BU-3419	3/8" BLACK HOLE BUSHING	1
6	SC-2365	SCREW,6-32X1-1/4,NC PHILLIPS	2
7	BK-3019	T-BLOCK	1
8	5012384	WIRESET, MAIN, 208-240V (not shown)	1
9	5012387	208/240V ELAN SECONDARY WIRESET (not shown)	1
10	5012386	767-SK,1000-SK/II SMKR WIRESET (not shown)	1

Electrical Chassis Assembly, 767-SK, 230V



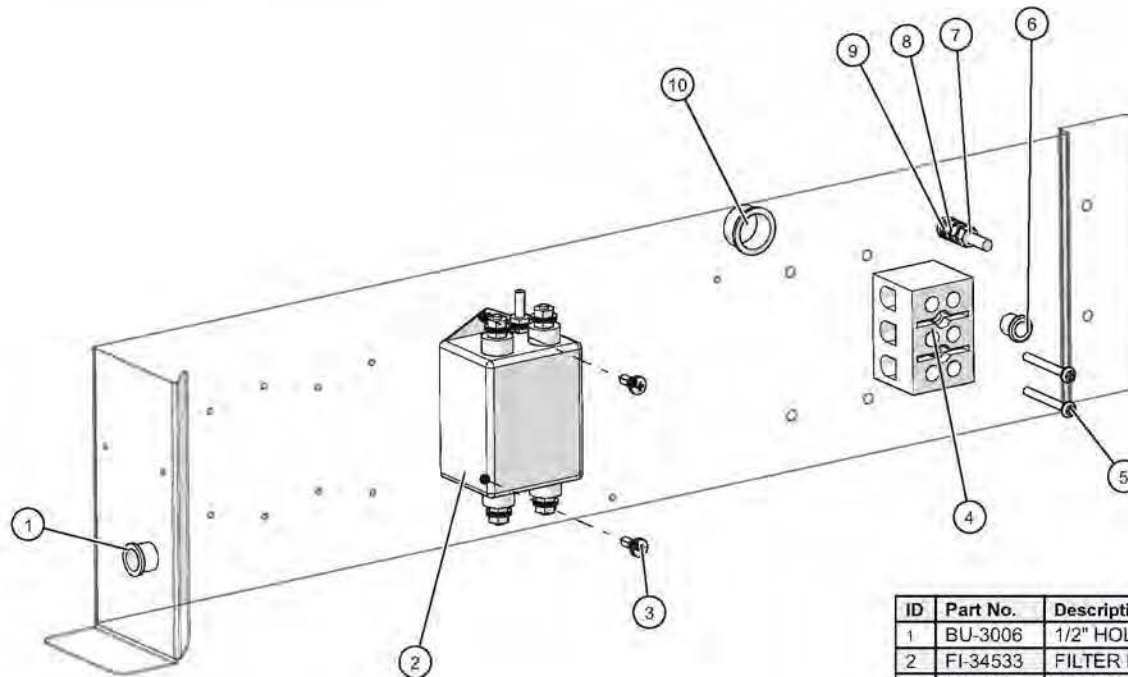
ID	Part No.	Description	Qty
1	BU-3006	1/2" HOLE BUSHING	1
2	FI-33225	FILTER,LINE,115/250V,50/60HZ	1
3	SC-22271	SCREW,M4x0.7X6MM PAN	2
4	BK-3019	T-BLOCK	1
5	WS-2467	WASHER, INT. LOCK	1
6	SC-38128	SCREW,PAN PH, METRIC, M5	1
7	NU-36234	NUT, M5, KEPS	3
8	BU-3419	3/8" BLACK HOLE BUSHING	1
9	SC-2365	SCREW,6-32X1-1/4,NC PHILLIPS	2
10	5012384	WIRE SET, MAIN, 208-240V (not shown)	1
11	5012385	WIRE SET, SECONDARY, 230V (not shown)	1
12	5012386	767-SK,1000-SK/II SMKR WIRESET (not shown)	1

Electrical Chassis Assembly, 1767-SK, 208-240V



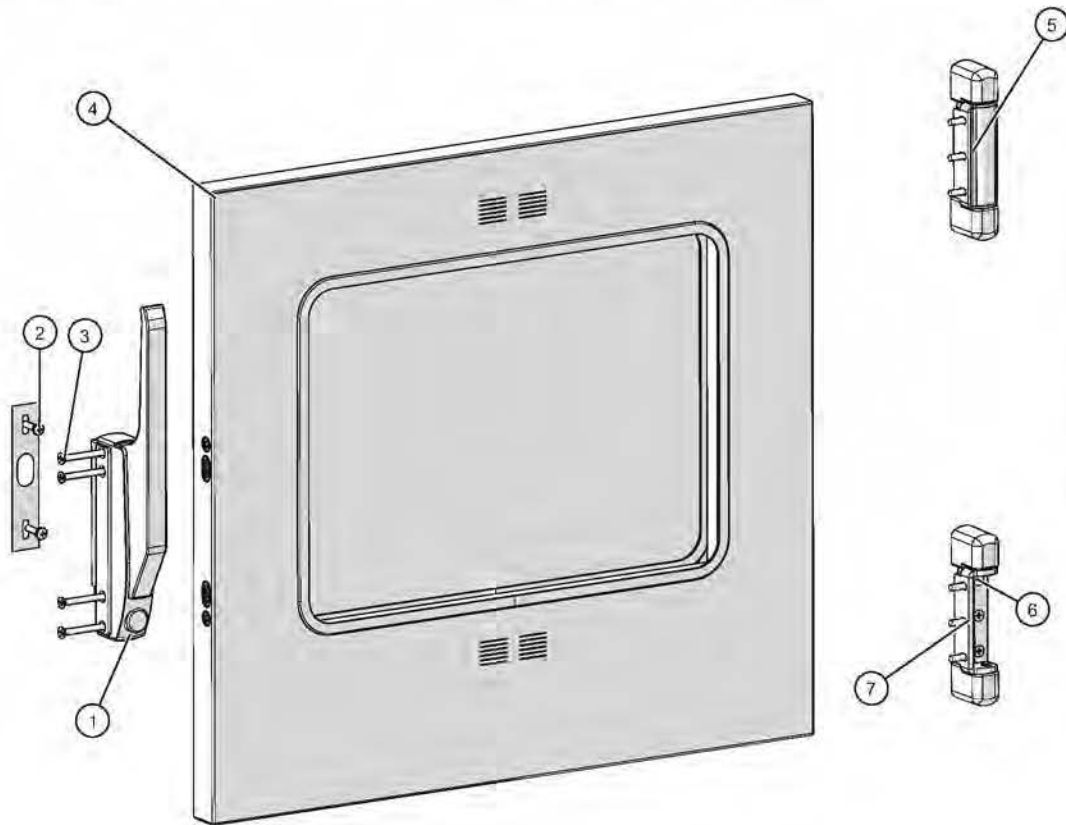
ID	Part No.	Description	Qty
1	BU-3006	1/2" HOLE BUSHING	1
2	BK-3019	T-BLOCK	1
3	SC-2365	SCREW,6-32X1-1/4,NC PHILLIPS	2
4	WS-2467	WASHER, INT. LOCK	1
5	NU-36234	NUT, M5, KEPS	3
6	SC-38128	SCREW,PAN PH. METRIC, M5	1
7	BU-3419	3/8" BLACK HOLE BUSHING	1
8	5012254	1000-TH/I, 1767-SK 208-240V ELAN MAIN WIRE SET (NOT SHOWN)	1
9	5012256	1000-TH/I, 1767-SK 208/240V SECONDARY WIRE SET (NOT SHOWN)	1
10	5012259	ELAN CONTROLLED C&H SMOKER WIRE SET (NOT SHOWN)	1

Electrical Chassis Assembly, 1767-SK, 230V



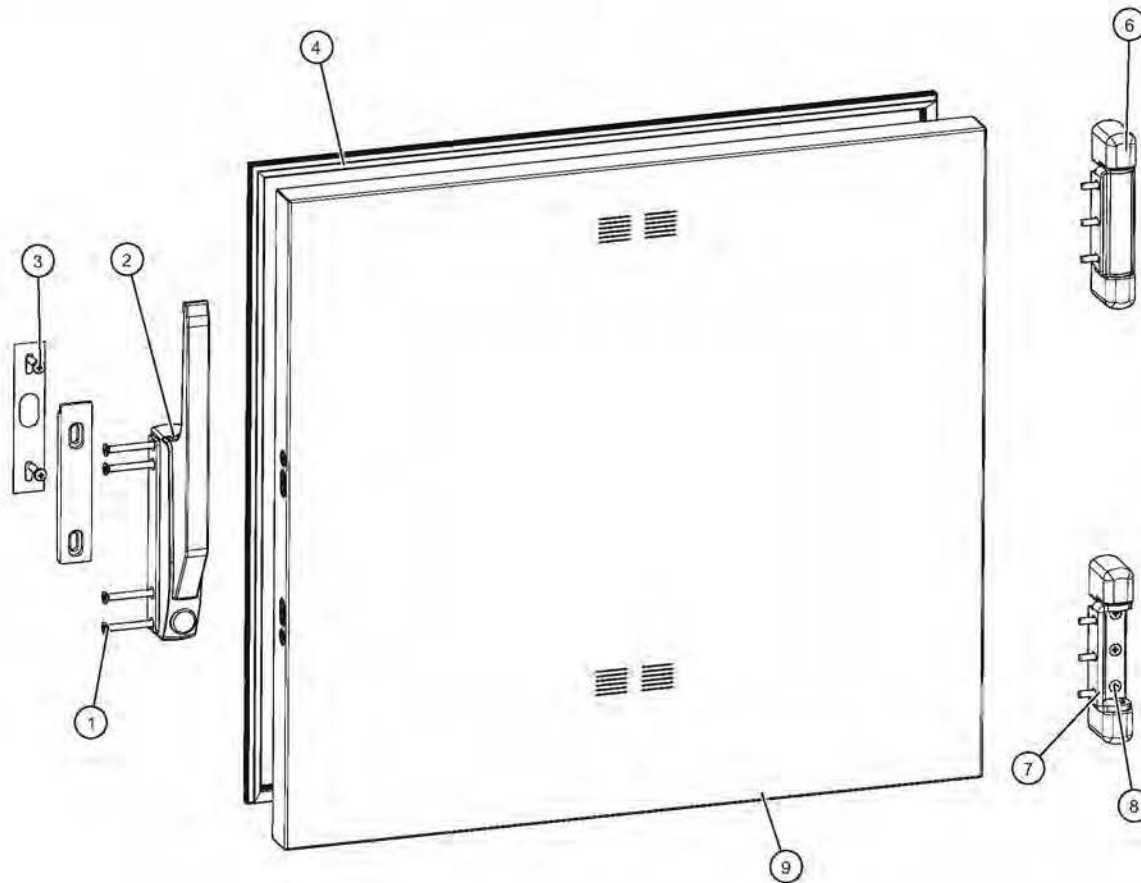
ID	Part No.	Description	Qty
1	BU-3006	1/2" HOLE BUSHING	1
2	FI-34533	FILTER LINE 115/250V 30AMP 50/60HZ	1
3	SC-22273	SCREW,M4x0.7X10MM PAN	2
4	BK-3019	T-BLOCK	1
5	SC-2365	SCREW,6-32X1-1/4,NC PHILLIPS	2
6	BU-3419	3/8" BLACK HOLE BUSHING	1
7	NU-36234	NUT, M5, KEPS	3
8	SC-38128	SCREW,PAN PH, METRIC, M5	1
9	WS-2467	WASHER, INT. LOCK	1
10	BU-3008	3/4" WHITE SNAP BUSHING	1
11	5012254	1000-TH/I, 1767-SK 208-240V ELAN MAIN WIRE SET (not shown)	1
12	5012259	ELAN CONTROLLED C&H SMOKER WIRE SET (not shown)	1
13	5012260	1000-TH/I, 1767-SK 230V WIRE SET (not shown)	1

Door Package, 767-SK, RH Window



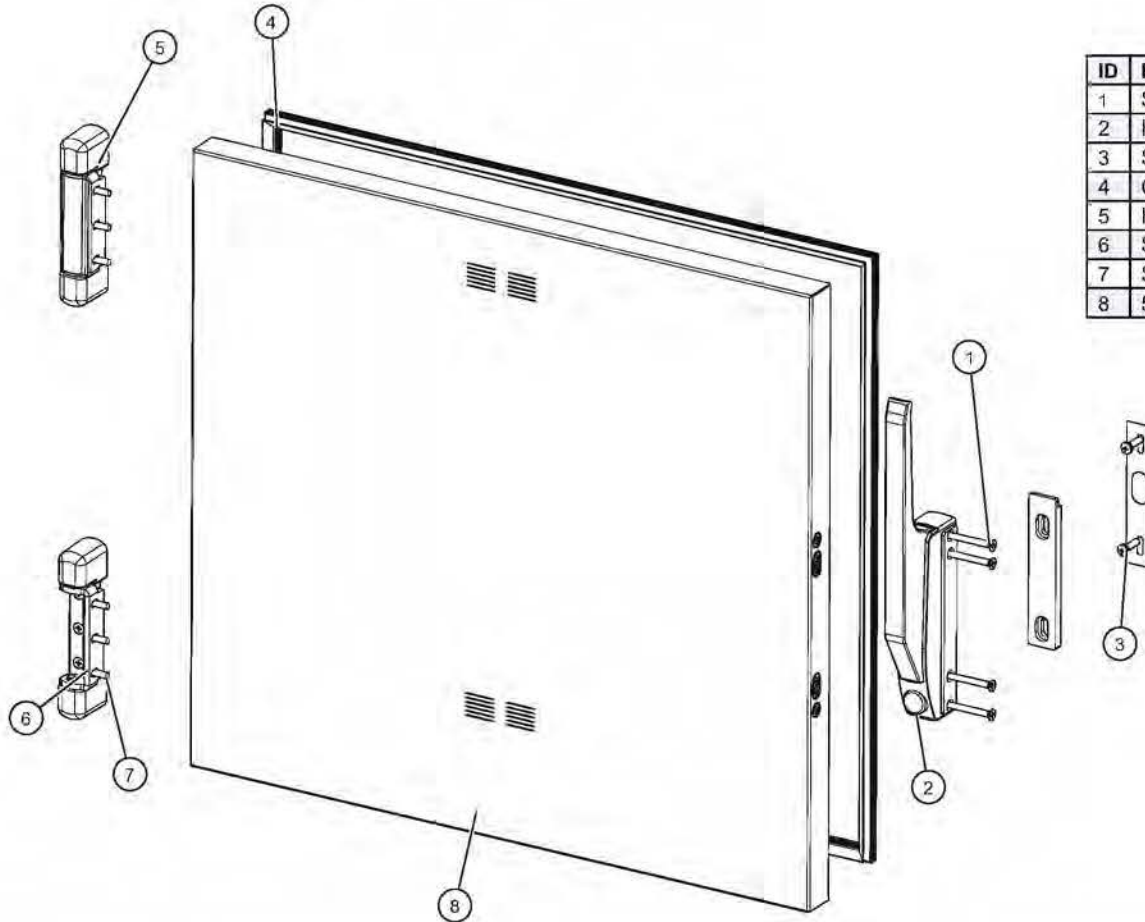
ID	Part No.	Description	Qty
1	HD-27080	HANDLE W/OFFSET	1
2	SC-22779	SCREW,M5x0.8X20MM PAN	2
3	SC-35259	SCREW,M5x0.8X50MM FLAT	4
4	5010406	DOOR, ASSY, WINDOW, RH	1
5	HG-22338	DOOR HINGE, 1-3/8, OFFSET PAIR	1
6	SC-22853	SCREW,M5x0.8X30MM FLAT	6
7	SC-23868	SCREW,M5x0.8X20MM FLAT	6

Door Package "C," 767-SK, RH Slab



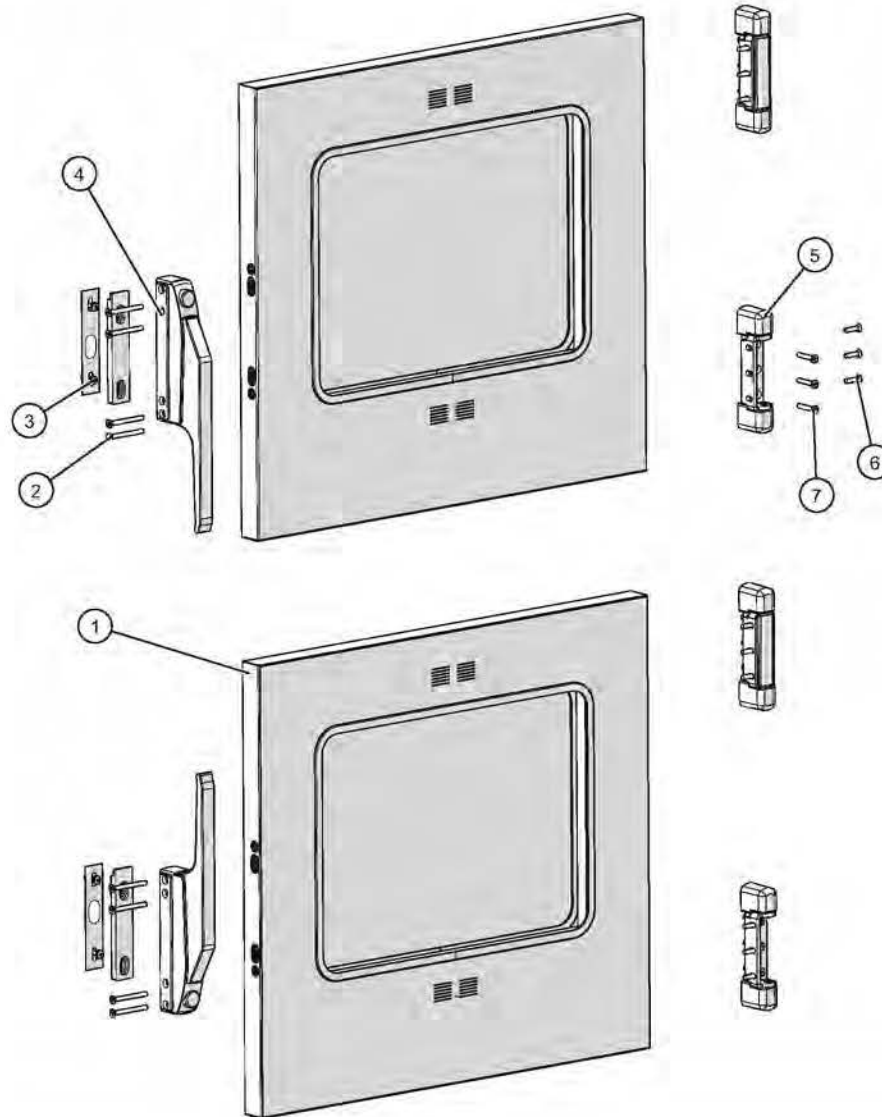
ID	Part No.	Description	Qty
1	SC-35259	SCREW, M5x0.8X50MM FLAT	4
2	HD-27080	HANDLE, OFFSET MAG LATCH	1
3	SC-22779	SCREW, M5x0.8X20MM PAN	2
4	GS-22951	GASKET, ASSB, DOOR, 20-20	1
6	HG-22338	HINGE, 1-3/8, OFFSET PAIR	1
7	SC-23868	SCREW, M5x0.8X20MM FLAT	6
8	SC-22853	SCREW, M5x0.8X30MM FLAT	3
9	5011828	DOOR, ASSY, SLAB, RH	1

Door Package "D," 767-SK, LH Slab



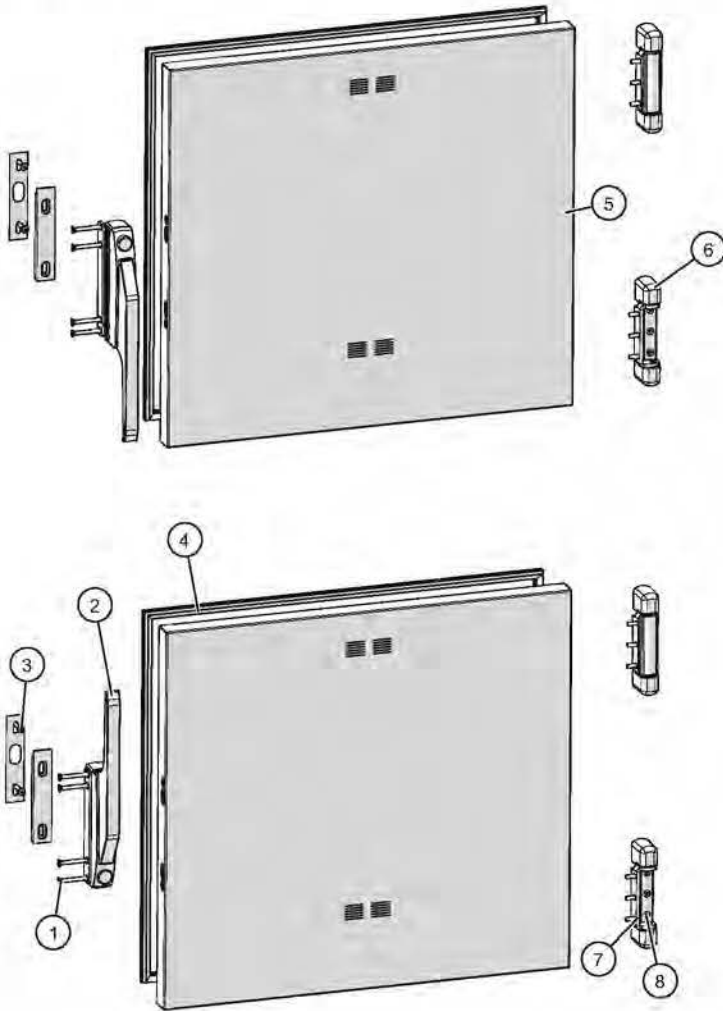
ID	Part No.	Description	Qty
1	SC-35259	SCREW,M5x0.8X50MM FLAT	4
2	HD-27080	HANDLE,OFFSET MAG LATCH	1
3	SC-22779	SCREW,M5x0.8X20MM PAN	2
4	GS-22951	GASKET,ASSB, DOOR, 20-20	1
5	HG-22338	HINGE, 1-3/8, OFFSET PAIR	1
6	SC-23868	SCREW,M5x0.8X20MM FLAT	6
7	SC-22853	SCREW,M5x0.8X30MM FLAT	3
8	5011829	DOOR, ASSY, SLAB, LH	1

Door Package "A," 1767-SK, RH Window



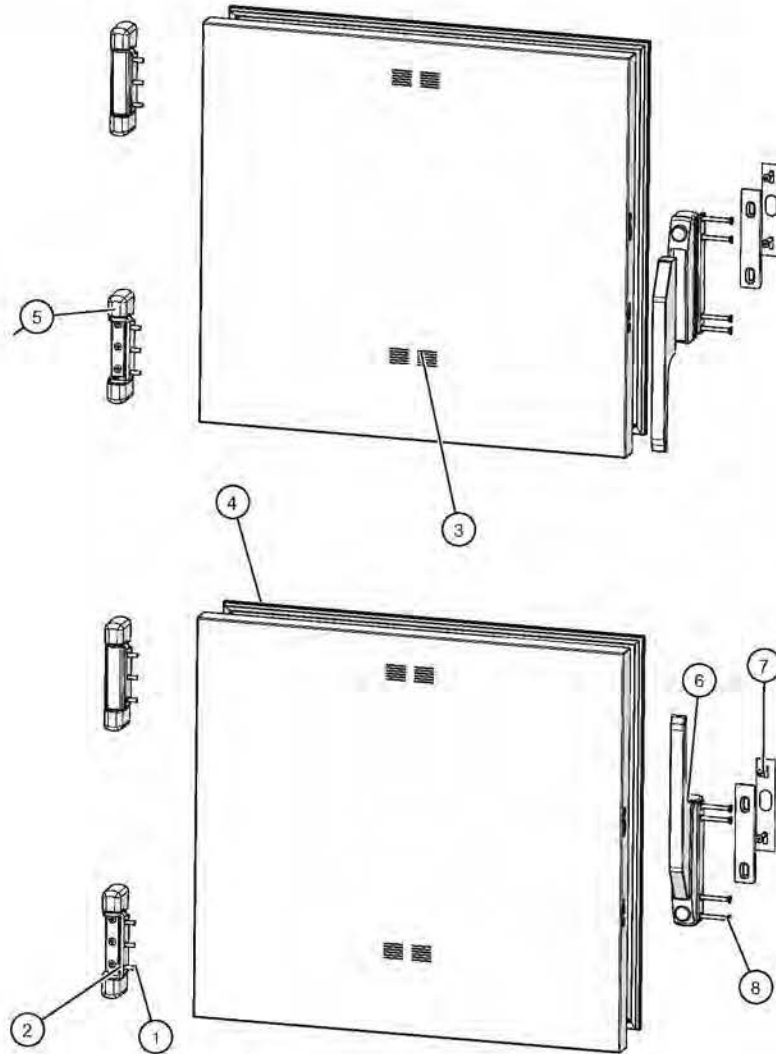
ID	Part No.	Description	Qty
1	5010406	DOOR, ASSY, WINDOW, RH	2
2	SC-35259	SCREW, M5x0.8X50MM FLAT	8
3	SC-22779	SCREW, M5x0.8X20MM PAN	4
4	HD-27080	HANDLE, OFFSET MAG LATCH	2
5	HG-22338	DOOR HINGE, 1-3/8, OFFSET PAIR	2
6	SC-23868	SCREW, M5x0.8X20MM FLAT	12
7	SC-22853	SCREW, M5x0.8X30MM FLAT	12

Door Package "C," 1767-SK, RH Slab



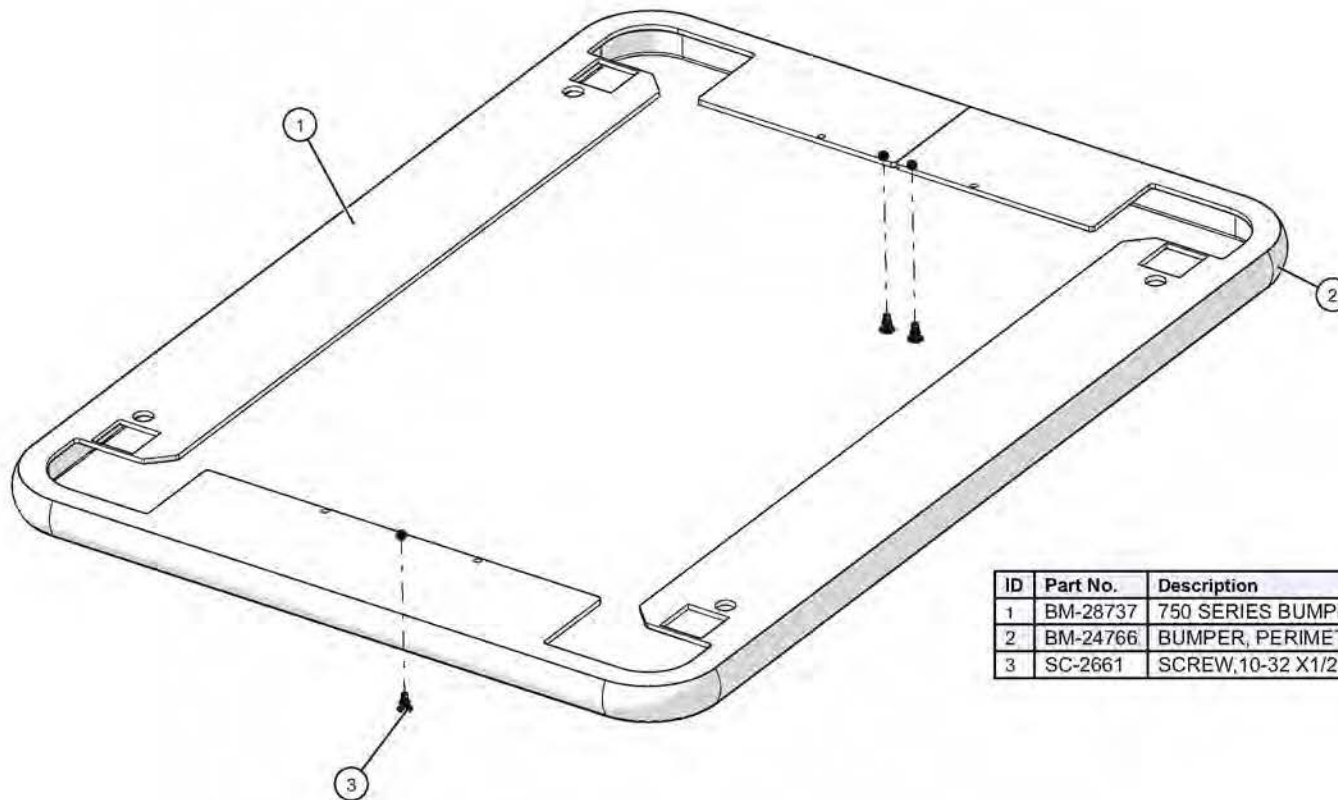
ID	Part No.	Description	Qty
1	SC-35259	SCREW,M5x0.8X50MM FLAT	8
2	HD-27080	HANDLE,OFFSET MAG LATCH	2
3	SC-22779	SCREW,M5x0.8X20MM PAN	4
4	GS-22951	GASKET,ASSB, DOOR, 20-20	2
5	5011828	DOOR, ASSY, SLAB, RH	2
6	HG-22338	HINGE, 1-3/8, OFFSET PAIR	2
7	SC-23868	SCREW,M5x0.8X20MM FLAT	12
8	SC-22853	SCREW,M5x0.8X30MM FLAT	9

Door Package "D," 1767-SK, LH Slab



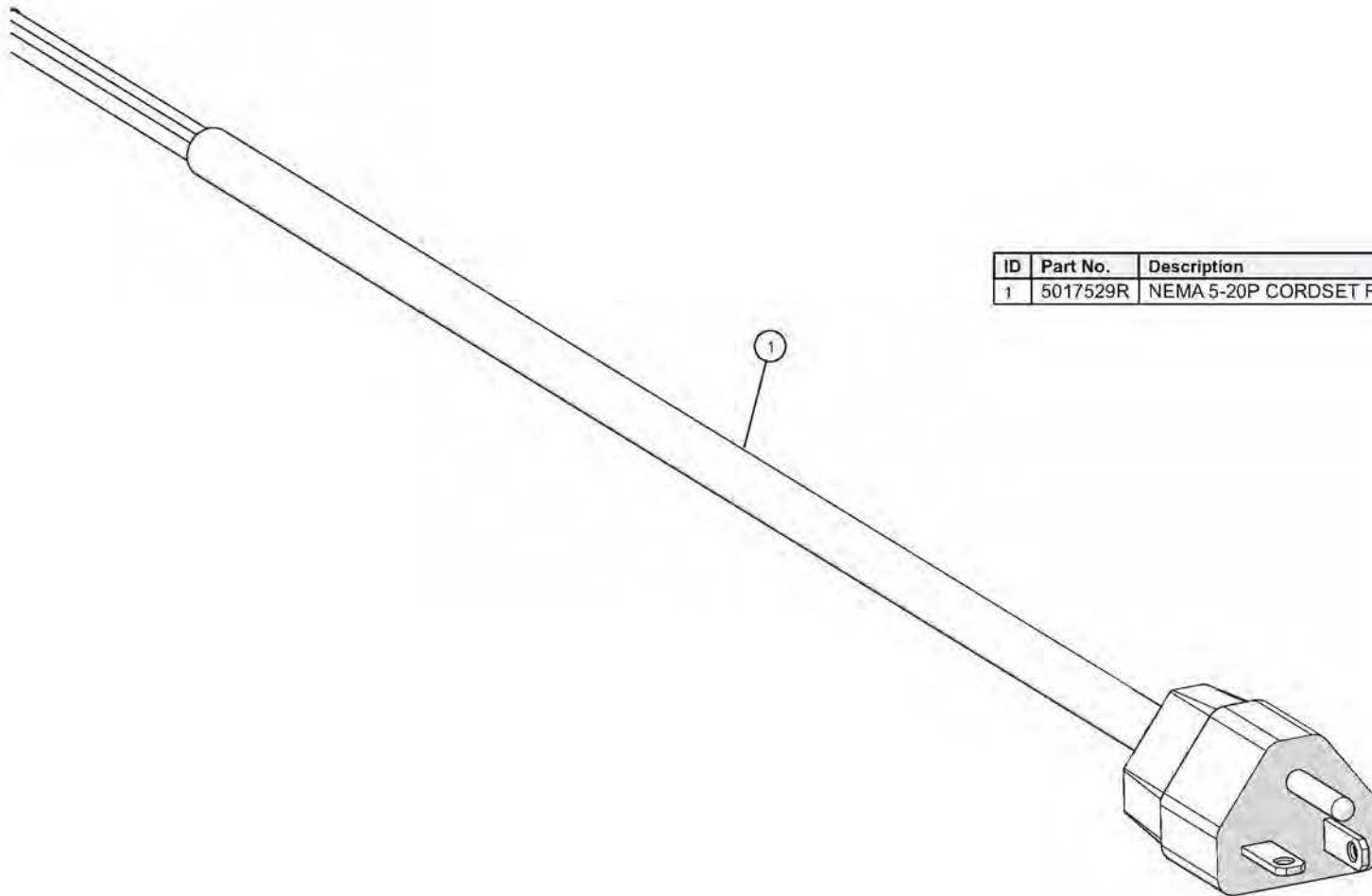
ID	Part No.	Description	Qty
1	SC-22853	SCREW,M5x0.8X30MM FLAT	12
2	SC-23868	SCREW,M5x0.8X20MM FLAT	12
3	5011829	DOOR, ASSY, SLAB, LH	2
4	GS-22951	GASKET, ASSB, DOOR, 20-20	2
5	HG-22338	HINGE, 1-3/8, OFFSET PAIR	2
6	HD-27080	HANDLE,OFFSET MAG LATCH	2
7	SC-22779	SCREW,M5x0.8X20MM PAN	4
8	SC-35259	SCREW,M5x0.8X50MM FLAT	8

Bumper (Optional), 750 Series



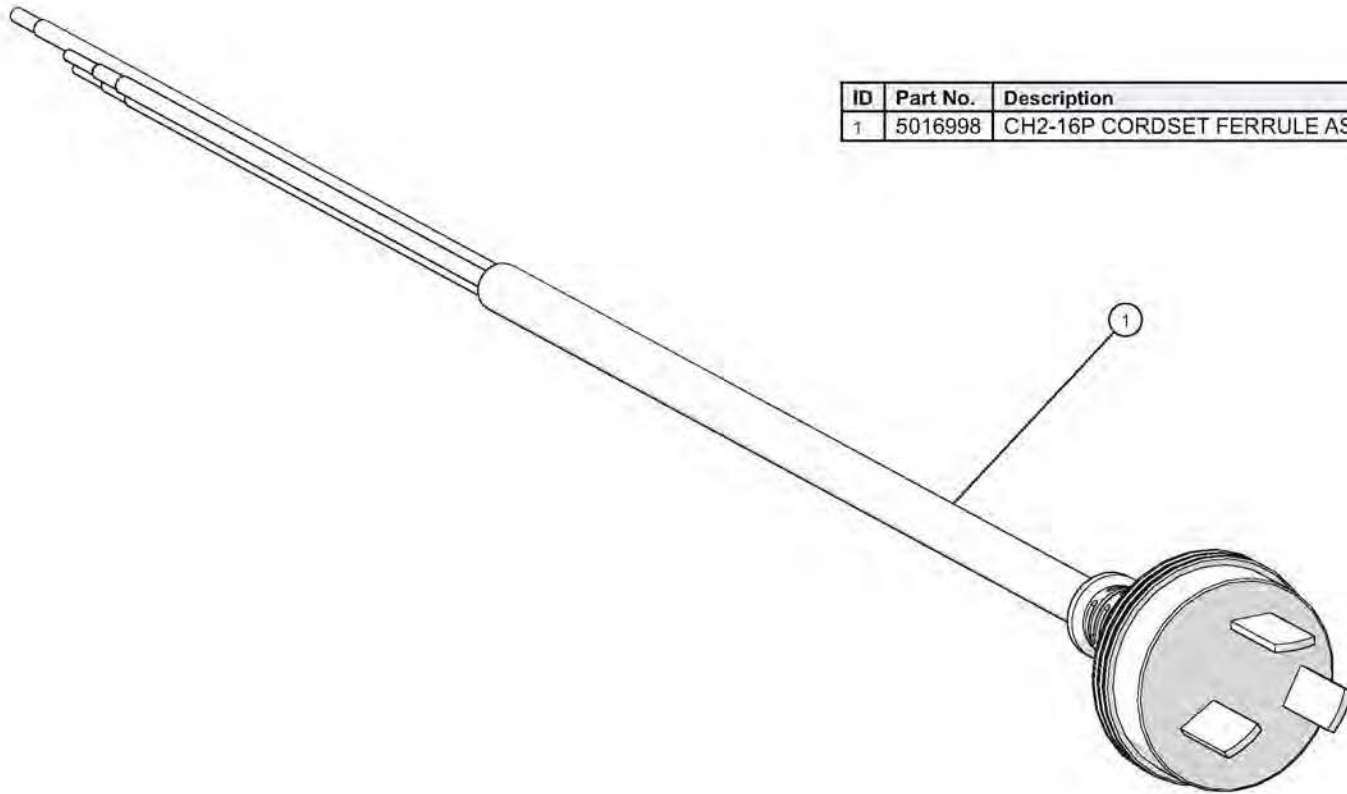
ID	Part No.	Description	Qty
1	BM-28737	750 SERIES BUMPER	1
2	BM-24766	BUMPER, PERIMETER, RUBBER	1
3	SC-2661	SCREW,10-32 X1/2,NF PHIL TRUSS M/S,18-8 SS	3

Cordset/Ferrule Assembly, NEMA 5-20P



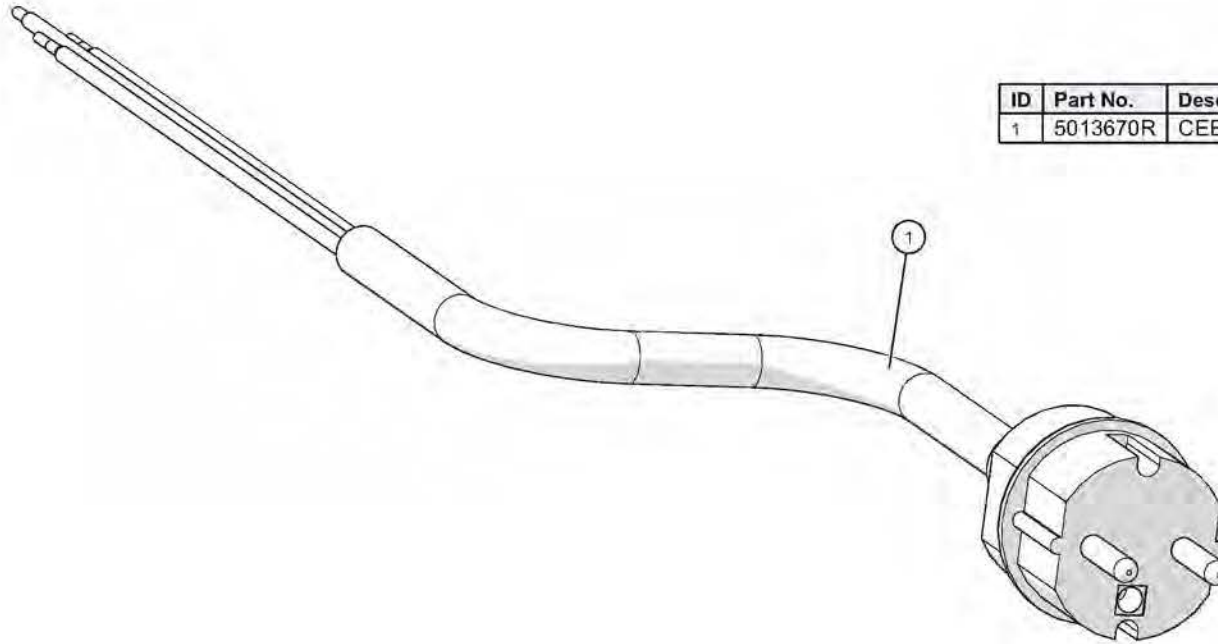
ID	Part No.	Description	Qty
1	5017529R	NEMA 5-20P CORDSET FERRULE ASSEMBLY	1

Cordset/Ferrule Assembly, CH2-16P



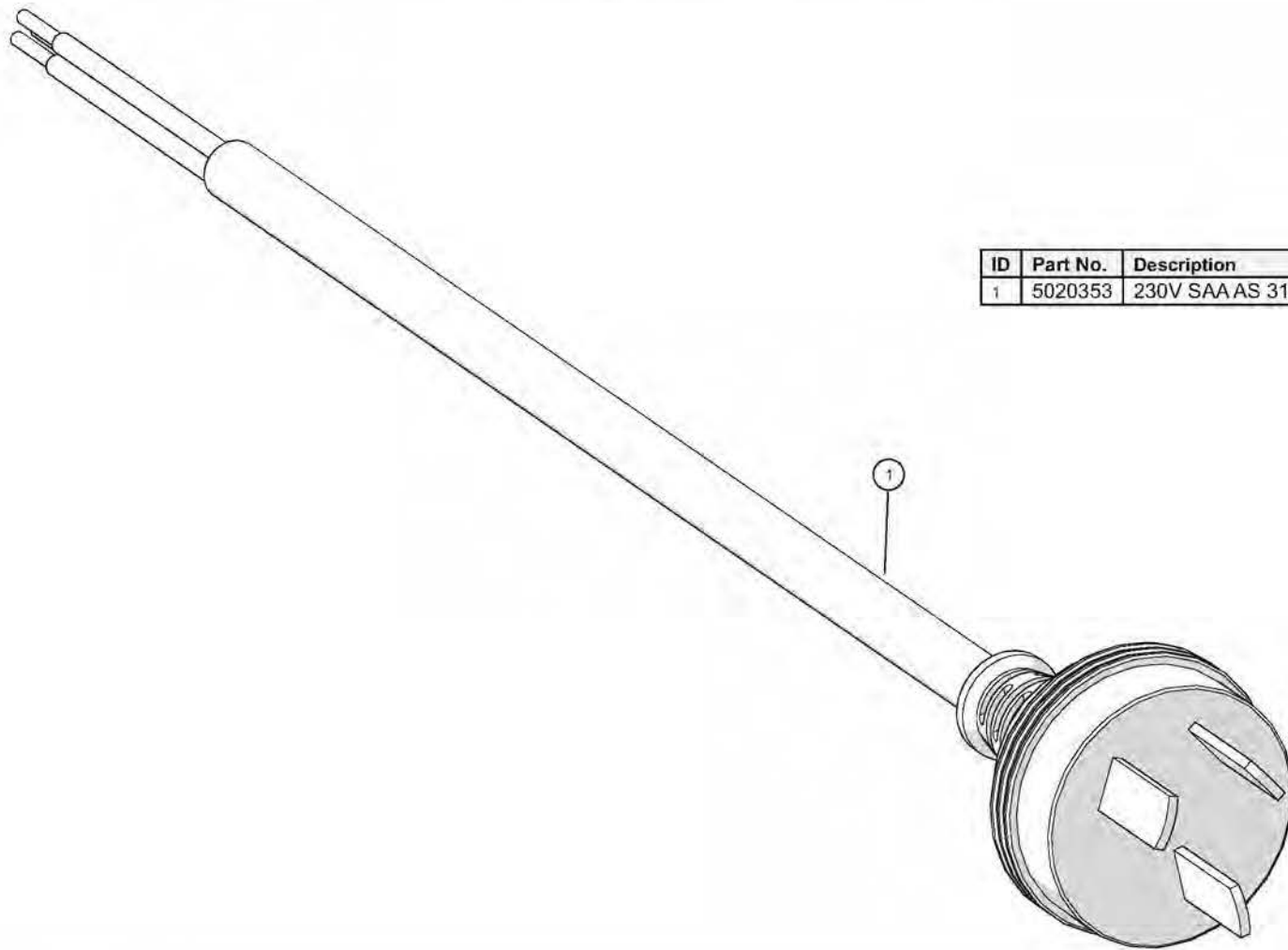
ID	Part No.	Description	Qty
1	5016998	CH2-16P CORDSET FERRULE ASSEMBLY	1

Cordset/Ferrule Assembly, CEE 7/7



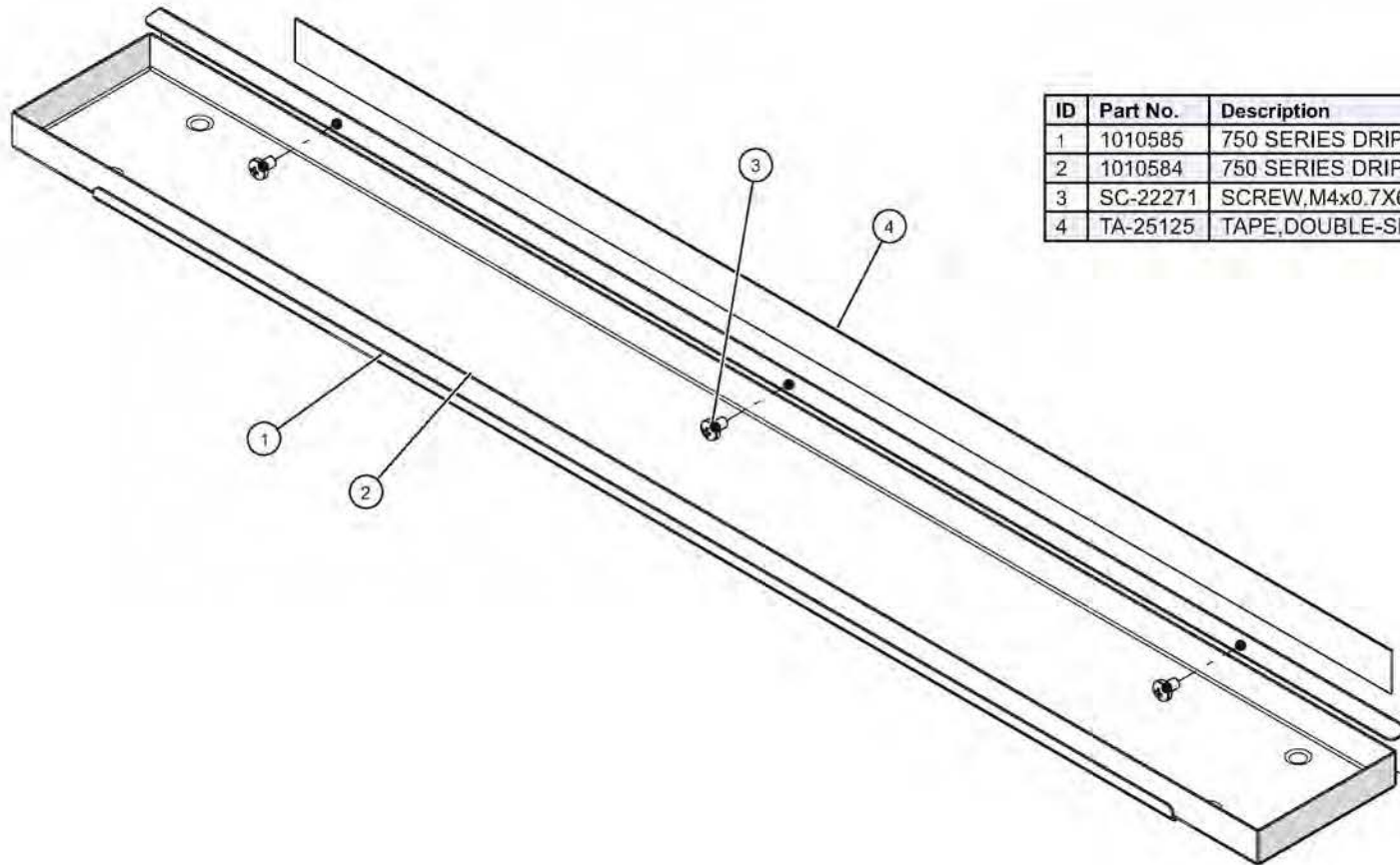
ID	Part No.	Description	Qty
1	5013670R	CEE 7/7 CORDSET FERRULE ASSEMB	1

Cordset/Ferrule Assembly, SAA AS 3112-16P



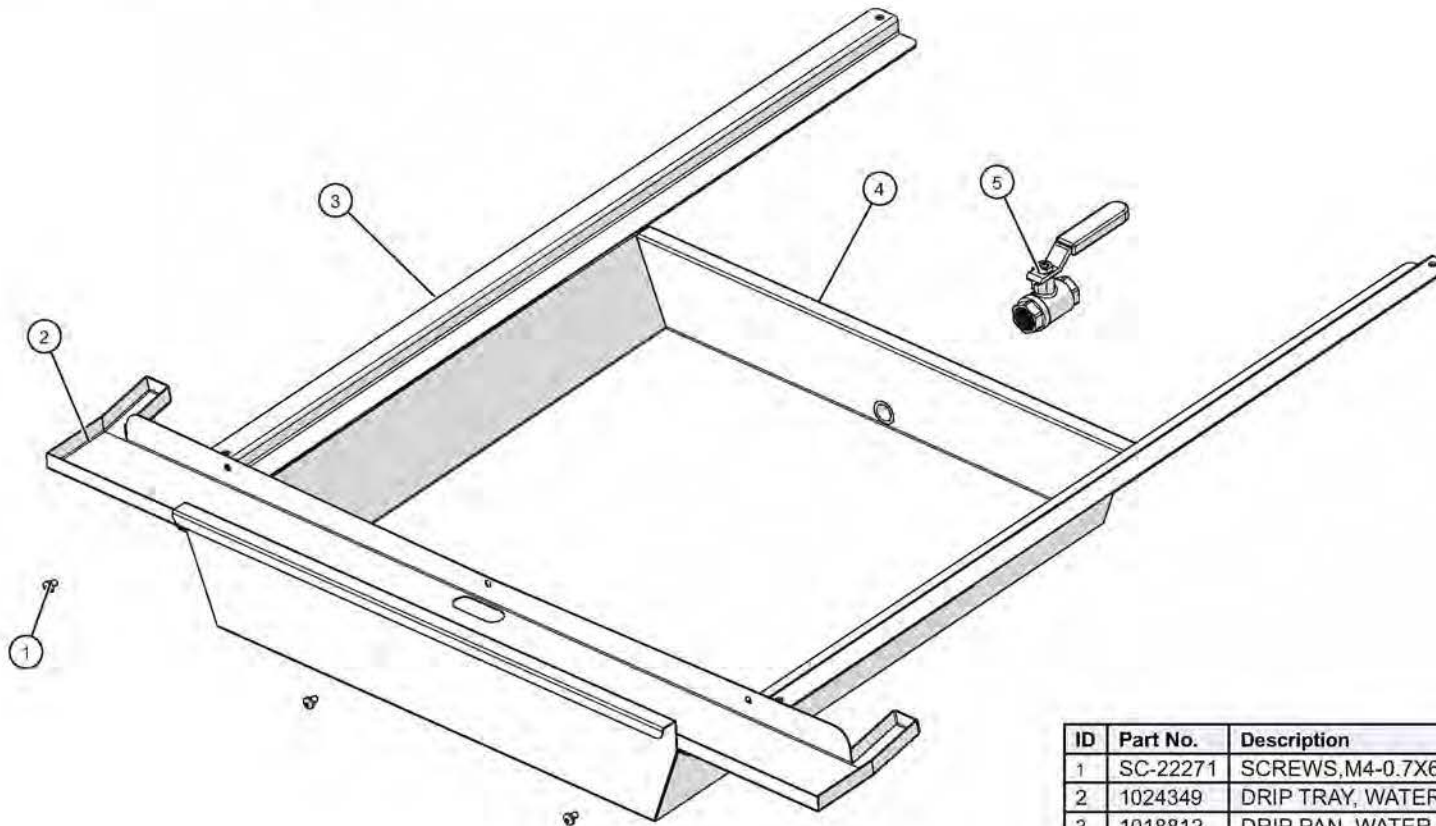
ID	Part No.	Description	Qty
1	5020353	230V SAA AS 3112-16P CORDSET	1

Drip Tray Kit



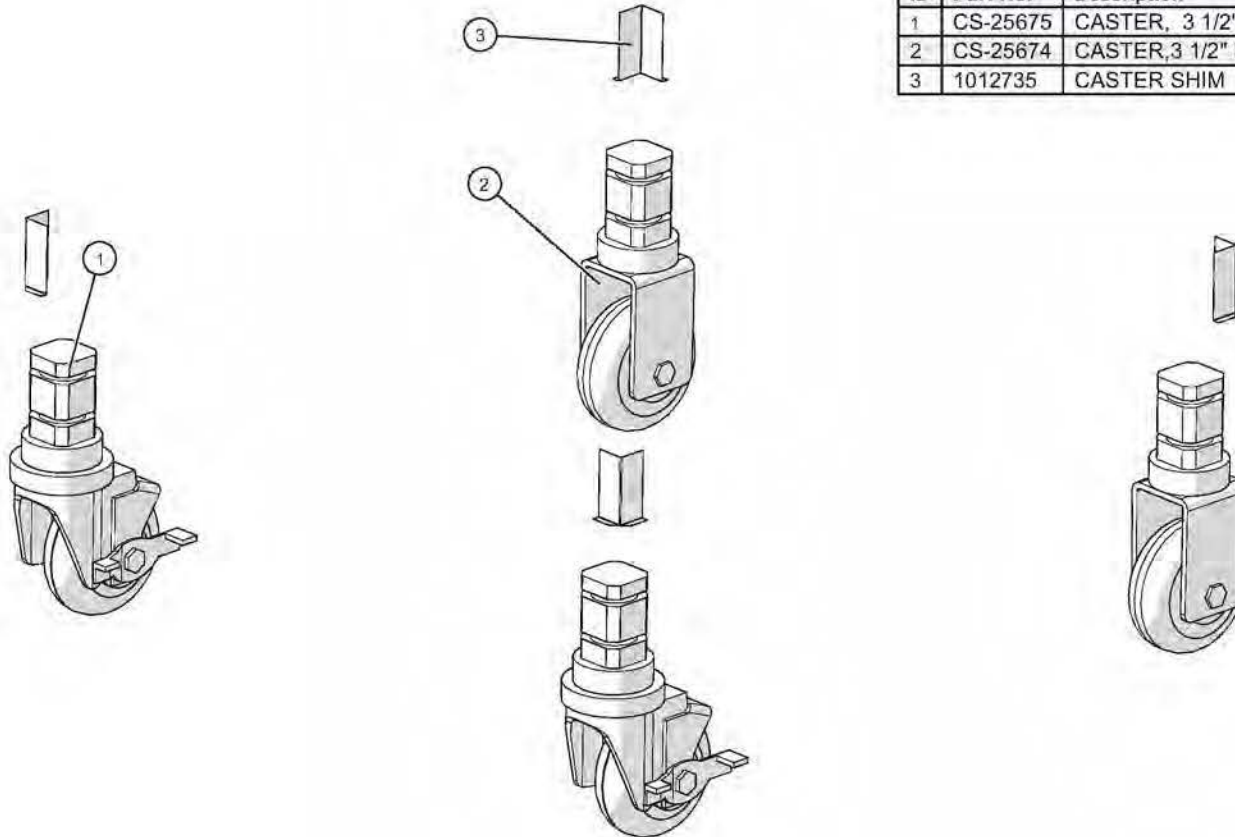
ID	Part No.	Description	Qty
1	1010585	750 SERIES DRIP TRAY HOLDER	1
2	1010584	750 SERIES DRIP TRAY	1
3	SC-22271	SCREW,M4x0.7X6MM PAN	3
4	TA-25125	TAPE,DOUBLE-SIDED,19mmX22.13"	1

Drip Tray Kit, Extended



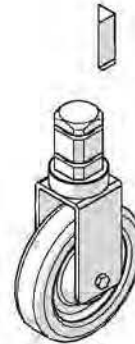
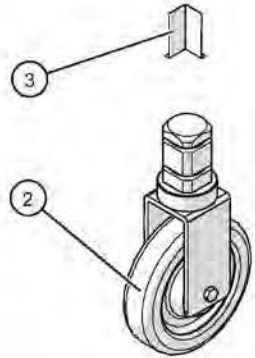
ID	Part No.	Description	Qty
1	SC-22271	SCREWS, M4-0.7X6MM PHIL	3
2	1024349	DRIP TRAY, WATER DIVERTER	1
3	1018812	DRIP PAN, WATER PAN RAIL	2
4	5024724	WELDMENT, DRIP TRAY, WATER PAN	1
5	VA-39174	VALVE, BALL, 3/8-18 NPT	1

Caster Package, 3-1/2"



ID	Part No.	Description	Qty
1	CS-25675	CASTER, 3 1/2" SWIVEL W/ BRAKE	2
2	CS-25674	CASTER, 3 1/2" RIGID	2
3	1012735	CASTER SHIM	4

Caster Package, 5"



ID	Part No.	Description	Qty
1	CS-24875	CASTER, 1.5" STEM, 5" SWIV WHL	2
2	CS-24874	CASTER, 5" RIGID, 1.5" STEM	2
3	1012735	CASTER SHIM	4



ALTO-SHAAM.

Menomonee Falls, WI U.S.A.

Phone 800-558-8744 | +1-262-251-3800 | alto-shaam.com

ASIA

Shanghai, China
Phone +86-21-6173-0336

AUSTRALIA

Brisbane, Queensland
Phone 800-558-8744

CANADA

Concord, Ontario Canada
Toll Free Phone 866-577-4484
Phone +1-905-660-6781

FRANCE

Aix en Provence, France
Phone +33(0)4-88-78-21-73

GMBH

Bochum, Germany
Phone +49 [0]234 298798-0

ITALY

Padua, Italy
Phone +39 3476073504

INDIA

Pune, India
Phone +91 9657516999

MEXICO

Phone +52 1 477-717-3108

MIDDLE EAST & AFRICA

Dubai, UAE
Phone +971-4-321-9712

CENTRAL & SOUTH AMERICA

Miami, FL USA
Phone +1 954-655-5727