

## Heated Holding

# Drawer Warmers

500-1D	500-1DN
500-2D	500-2DN
500-2DI	500-3DN
500-3D	



## Manufacturer's Information

Copyright

© Copyright 04/2026 by Alto-Shaam, Inc.  
All rights reserved.  
This manual or any portion thereof may not be reproduced or used in any manner whatsoever without the express written permission of Alto-Shaam, Inc

Trademarks

All trademarks referenced in this documentation are the property of their respective owners.

Manufacturer

Alto-Shaam, Inc.  
P.O. Box 450  
W164 N9221 Water Street  
Menomonee Falls, WI 53052

Models Covered

500-1D 500-2D 500-2DI 500-3D	500-1DN 500-2DN 500-3DN
---------------------------------------	-------------------------------

Serial Number

The unit serial number is required for identifying and ordering the correct service parts.  
Record the unit serial number below for reference.

Serial Number

Parts Finder Tool

Interactive diagrams from this Parts Manual are available online at our Parts Finder Tool:  
<https://www.alto-shaam.com/en/customer-support/parts>.  
Or, scan the QR code below.



Parts Ordering Information

Original manufacturer's replacement parts may be ordered directly from the Alto-Shaam network of Authorized Service Agents and Parts Distributors. Follow this link for a map to a local partner: <https://www.alto-shaam.com/en/how-to-buy>. If you are an Authorized Service Agent or Parts Distributor, please submit your purchase order to [parts@alto-shaam.com](mailto:parts@alto-shaam.com).

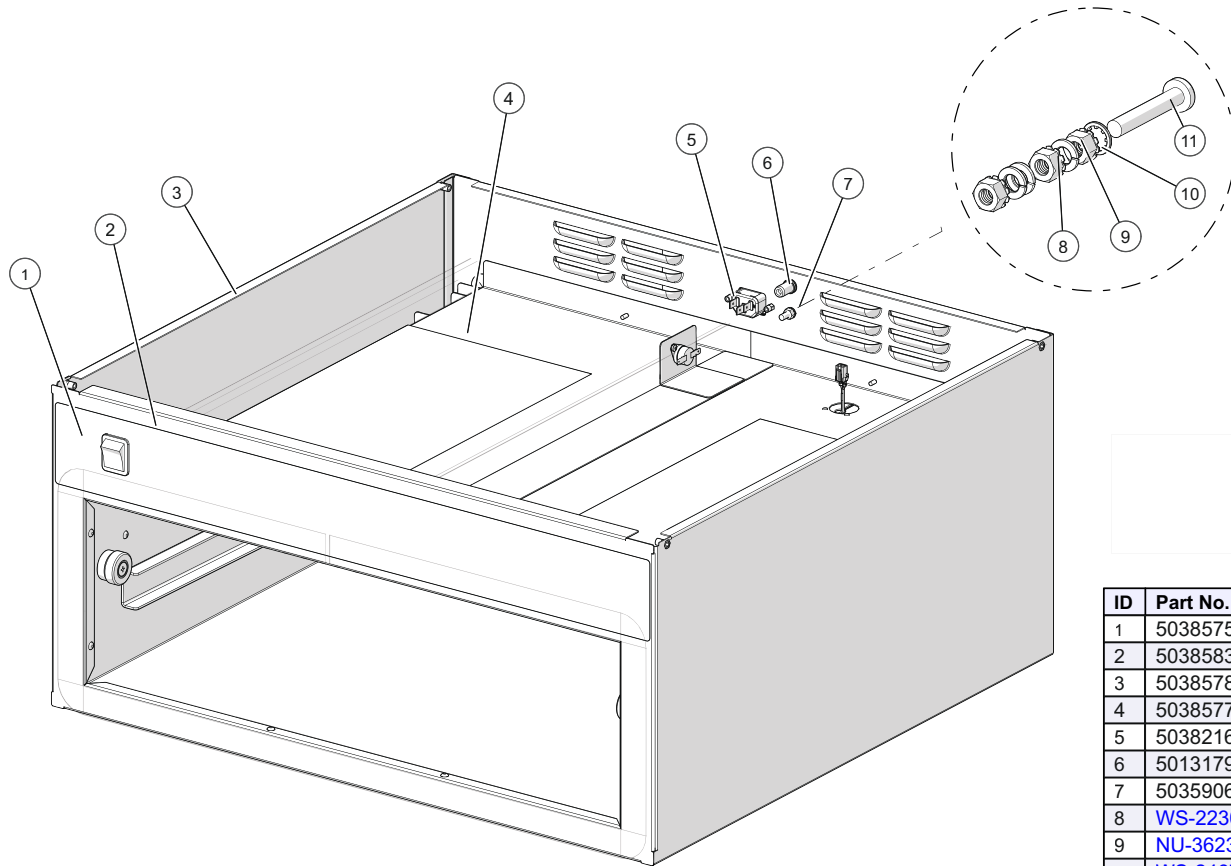
Non-OEM parts may be substituted; however, these parts must be of equal quality and specifications as those provided by Alto-Shaam.

# Table of Contents

- Manufacturer’s Information .....2
- Table of Contents .....3
- Core Package, 500-1D.....4
- Core Package, 500-2D.....5
- Core Package, 500-2DI .....6
- Core Package, 500-2DI with Casters.....7
- Core Package, 500-3D.....8
- Core Package, 500-1DN.....9
- Core Package, 500-1DN (Specialty) ..... 10
- Core Package, 500-2DN..... 11
- Core Package, 500-3DN..... 12
- Panel Package, 500-1D ..... 13
- Panel Package, 500-2D ..... 14
- Panel Package, 500-2DI..... 15
- Panel Package, 500-3D ..... 16
- Panel Package, 500-1DN ..... 17
- Panel Package, 500-1DN (Specialty)..... 18
- Panel Package, 500-2DN ..... 19
- Panel Package, 500-3DN ..... 20
- Cover Assembly, Top (All 500-D and DI models) ..... 21
- Cover Assembly, Top (All 500-DN models)..... 22
- Cavity Package, 500-1D ..... 23
- Cavity Package, 500-2D ..... 24
- Cavity Package, 500-2DI..... 25
- Cavity Package, 500-3D ..... 26
- Cavity Package, 500-1DN ..... 27
- Cavity Package, 500-2DN ..... 28
- Cavity Package, 500-3DN ..... 29
- Cavity Assembly, Heat Pad, 500-1D ..... 30
- Cavity Assembly, Heat Pad, 500-2D ..... 31
- Cavity Assembly, Heat Pad, 500-2D ..... 32
- Cavity Assembly, Heat Pad, 500-2DI..... 33
- Cavity Assembly, Heat Pad, 500-3D ..... 34

- Cavity Assembly, Heat Pad, 500-1DN .....35
- Cavity Assembly, Heat Pad, 500-2DN .....36
- Cavity Assembly, Heat Pad, 500-3DN .....37
- Drawer Assembly, Standard with Vents, 500-D Series.....38
- Drawer Assembly, Standard with Vents, 500-DN Series.....39
- Drawer Frame Assembly, 500-D Series.....40
- Drawer Frame Assembly, 500-DN Series .....41
- Trim Kits .....42
- Control Assembly, Wired, All 500-D and DN Models.....43
- Control Assembly, Wired, 500-2DI.....44
- Control Package, 500-1D .....45
- Control Package, 500-2D .....46
- Control Package, 500-2DI .....47
- Control Package, 500-2DI .....48
- Control Package, 500-3D .....49
- Control Package, 500-1DN.....50
- Control Package, 500-2DN.....51
- Control Package, 500-3DN.....52
- Receptacle Assembly, C14 .....53
- Receptacle Assembly, C14 Seal .....54
- Cord Assemblies .....55
- Foot Package .....56
- Caster Stand, 500-D, 3 inch .....57
- Caster Stand, 500-DN, 3 inch.....58
- Caster Stand, 500-D, 5 inch .....59
- Caster Stand, 500-DN, 5 inch.....60
- Leg Stand, 500-D.....61
- Leg Stand, 500-DN.....62
- Caster Support Package, 500-2DI.....63

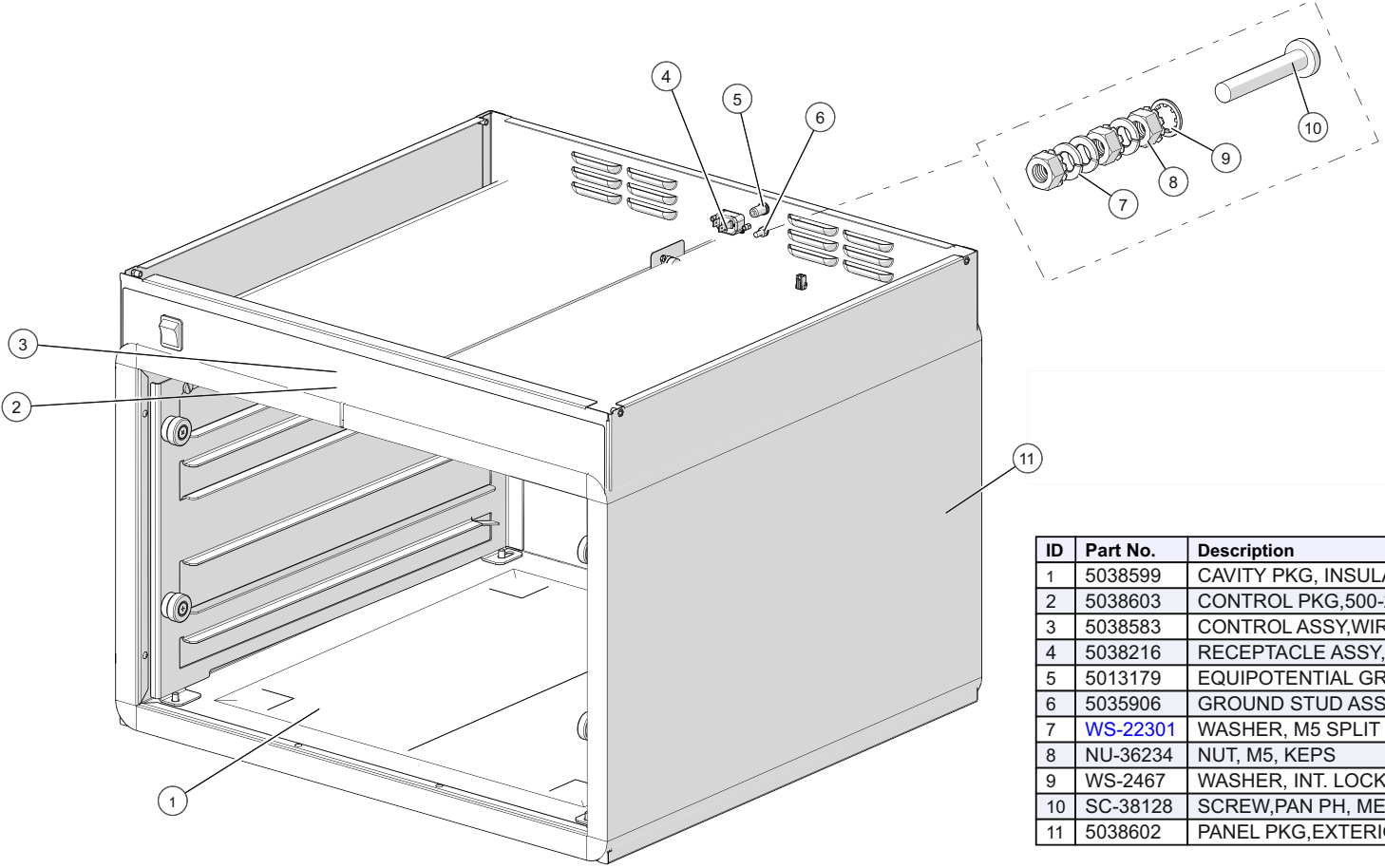
# Core Package, 500-1D



ID	Part No.	Description	Qty
1	5038575	CONTROL PKG,500-1D	1
2	5038583	CONTROL ASSY,WIRED	1
3	5038578	PANEL PKG,EXTERIOR,500-1D	1
4	5038577	CAVITY PKG,INSULATED,500-1D	1
5	5038216	RECEPTACLE ASSY,C14	1
6	5013179	EQUIPOTENTIAL GROUND STUD	1
7	5035906	GROUND STUD ASSY	2
8	<a href="#">WS-22301</a>	WASHER, M5 SPLIT LOCK	3
9	<a href="#">NU-36234</a>	NUT, M5, KEPS	3
10	<a href="#">WS-2467</a>	WASHER, INT. LOCK	1
11	SC-38128	SCREW,PAN PH, METRIC, M5	1

5038574\_0

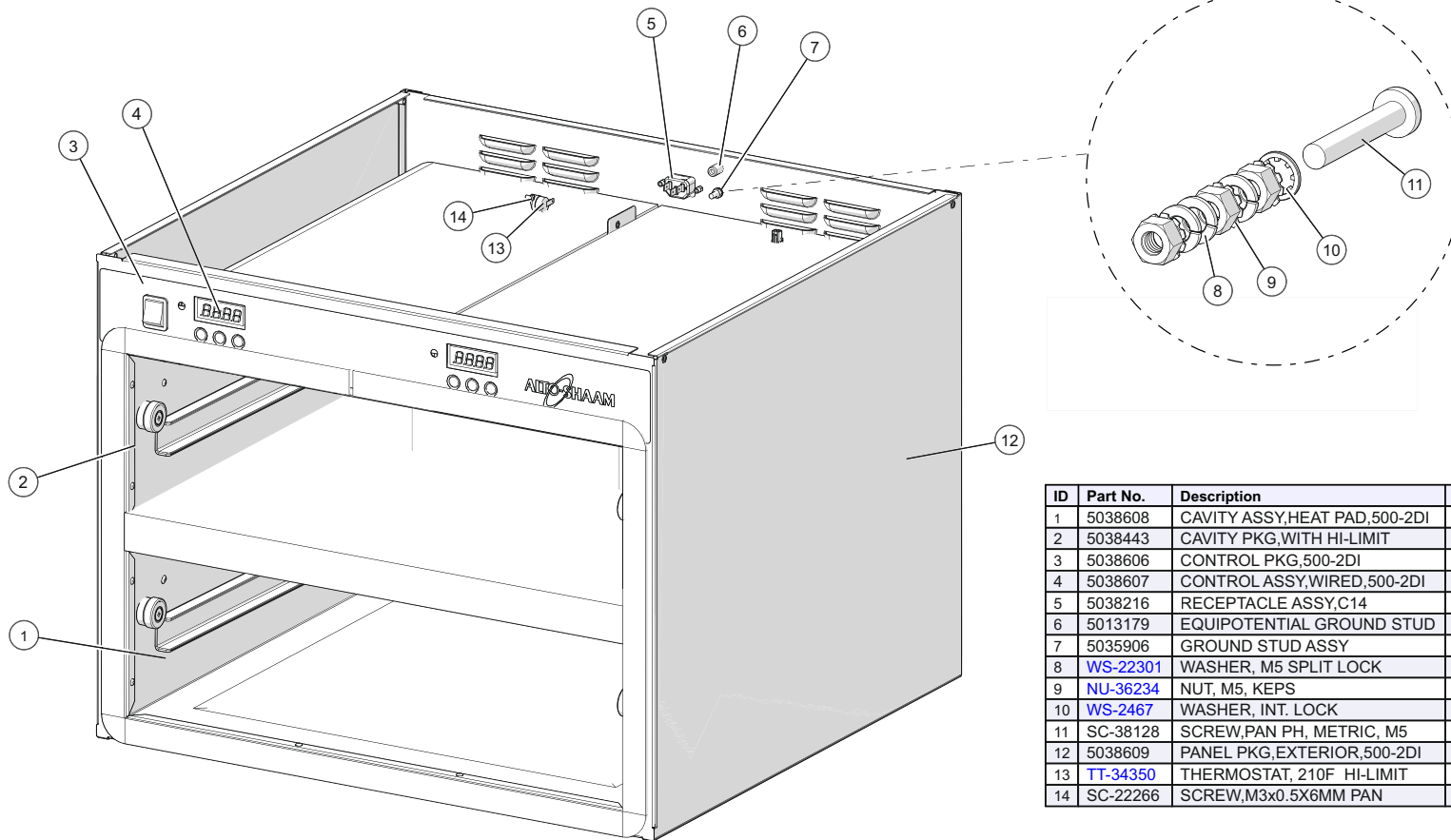
# Core Package, 500-2D



ID	Part No.	Description	Qty
1	5038599	CAVITY PKG, INSULATED, 500-2D	1
2	5038603	CONTROL PKG,500-2D	1
3	5038583	CONTROL ASSY,WIRED	1
4	5038216	RECEPTACLE ASSY,C14	1
5	5013179	EQUIPOTENTIAL GROUND STUD	1
6	5035906	GROUND STUD ASSY	2
7	WS-22301	WASHER, M5 SPLIT LOCK	3
8	NU-36234	NUT, M5, KEPS	3
9	WS-2467	WASHER, INT. LOCK	1
10	SC-38128	SCREW,PAN PH, METRIC, M5	1
11	5038602	PANEL PKG,EXTERIOR,500-2D	1

5038598\_0

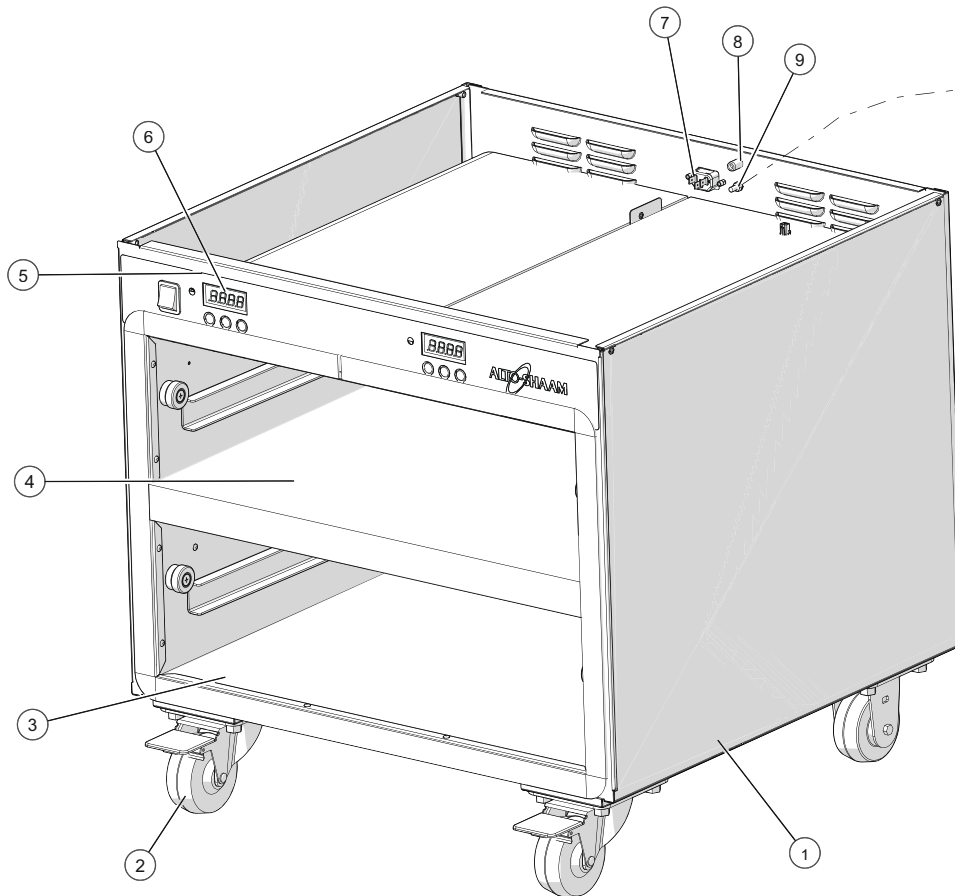
# Core Package, 500-2DI



ID	Part No.	Description	Qty
1	5038608	CAVITY ASSY,HEAT PAD,500-2DI	1
2	5038443	CAVITY PKG,WITH HI-LIMIT	1
3	5038606	CONTROL PKG,500-2DI	1
4	5038607	CONTROL ASSY,WIRED,500-2DI	1
5	5038216	RECEPTACLE ASSY,C14	1
6	5013179	EQUIPOTENTIAL GROUND STUD	1
7	5035906	GROUND STUD ASSY	1
8	WS-22301	WASHER, M5 SPLIT LOCK	3
9	NU-36234	NUT, M5, KEPS	3
10	WS-2467	WASHER, INT. LOCK	1
11	SC-38128	SCREW,PAN PH, METRIC, M5	1
12	5038609	PANEL PKG,EXTERIOR,500-2DI	1
13	TT-34350	THERMOSTAT, 210F HI-LIMIT	1
14	SC-22266	SCREW,M3x0.5X6MM PAN	2

5038605\_2

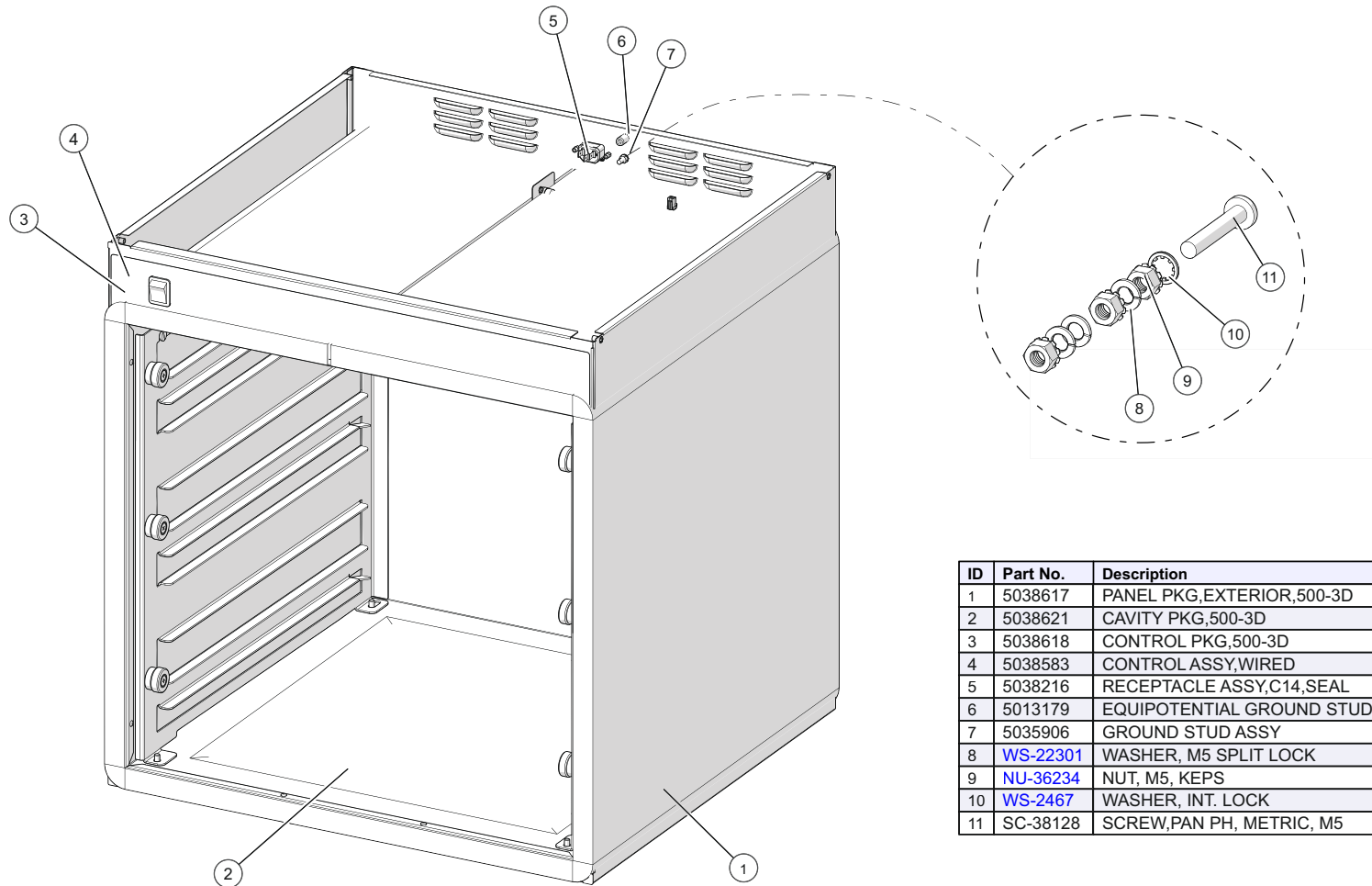
# Core Package, 500-2DI with Casters



ID	Part No.	Description	Qty
1	5038609	PANEL PKG,EXTERIOR,500-2DI	1
2	5026152	KIT, CASTER SUPPORT, 500-DI	1
3	5038608	CAVITY ASSY,HEAT PAD,500-2DI	1
4	5038443	CAVITY PKG,WITH HI-LIMIT	1
5	5038606	CONTROL PKG,500-2DI	1
6	5038607	CONTROL ASSY,WIRED,500-2DI	1
7	5038216	RECEPTACLE ASSY,C14	1
8	5013179	EQUIPOTENTIAL GROUND STUD	1
9	5035906	GROUND STUD ASSY	2
10	WS-22301	WASHER, M5 SPLIT LOCK	3
11	NU-36234	NUT, M5, KEPS	3
12	WS-2467	WASHER, INT. LOCK	1
13	SC-38128	SCREW,PAN PH, METRIC, M5	1

5038616\_0

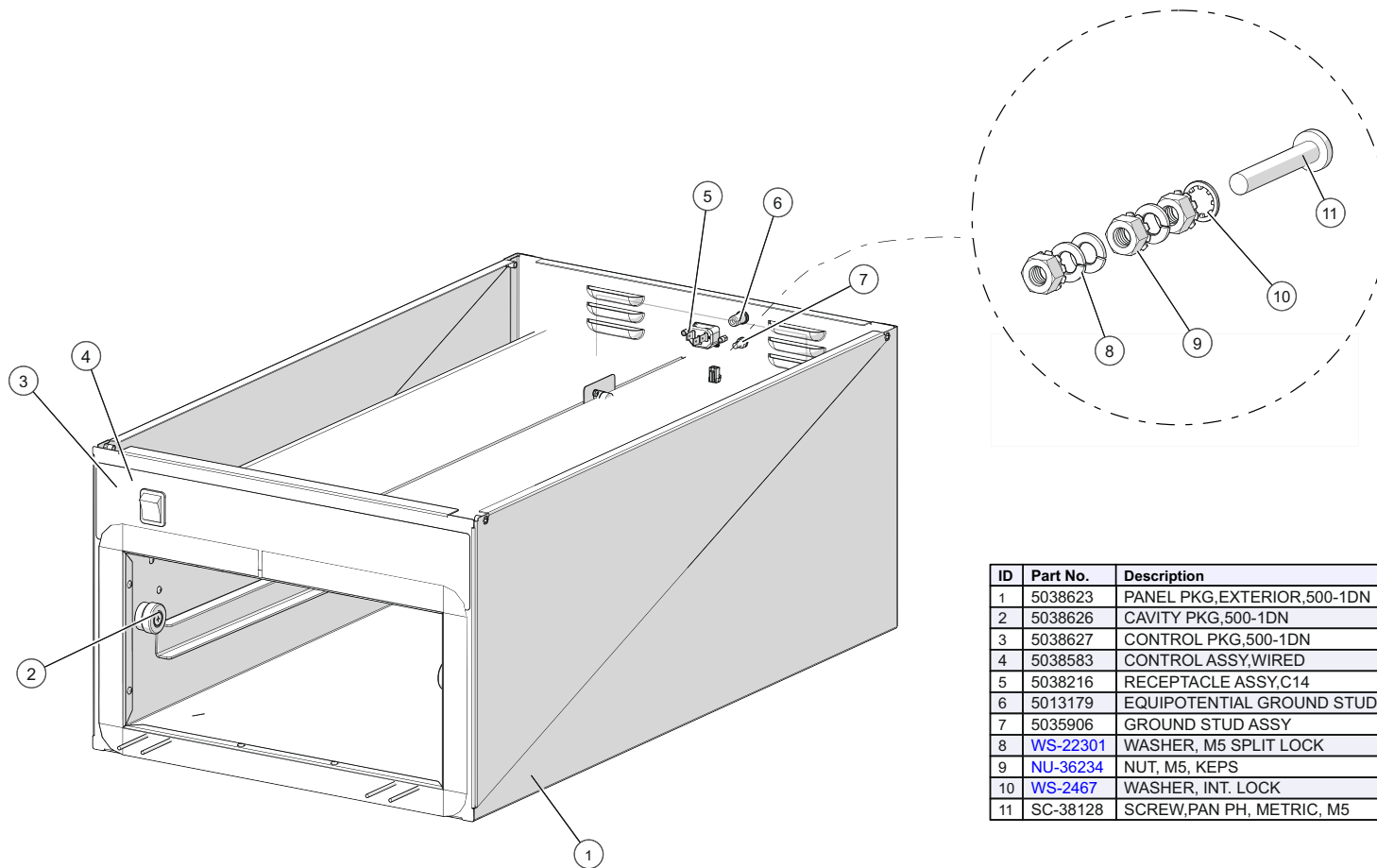
# Core Package, 500-3D



ID	Part No.	Description	Qty
1	5038617	PANEL PKG, EXTERIOR, 500-3D	1
2	5038621	CAVITY PKG, 500-3D	1
3	5038618	CONTROL PKG, 500-3D	1
4	5038583	CONTROL ASSY, WIRED	1
5	5038216	RECEPTACLE ASSY, C14, SEAL	1
6	5013179	EQUIPOTENTIAL GROUND STUD	1
7	5035906	GROUND STUD ASSY	1
8	WS-22301	WASHER, M5 SPLIT LOCK	3
9	NU-36234	NUT, M5, KEPS	3
10	WS-2467	WASHER, INT. LOCK	1
11	SC-38128	SCREW, PAN PH, METRIC, M5	1

5038622\_0

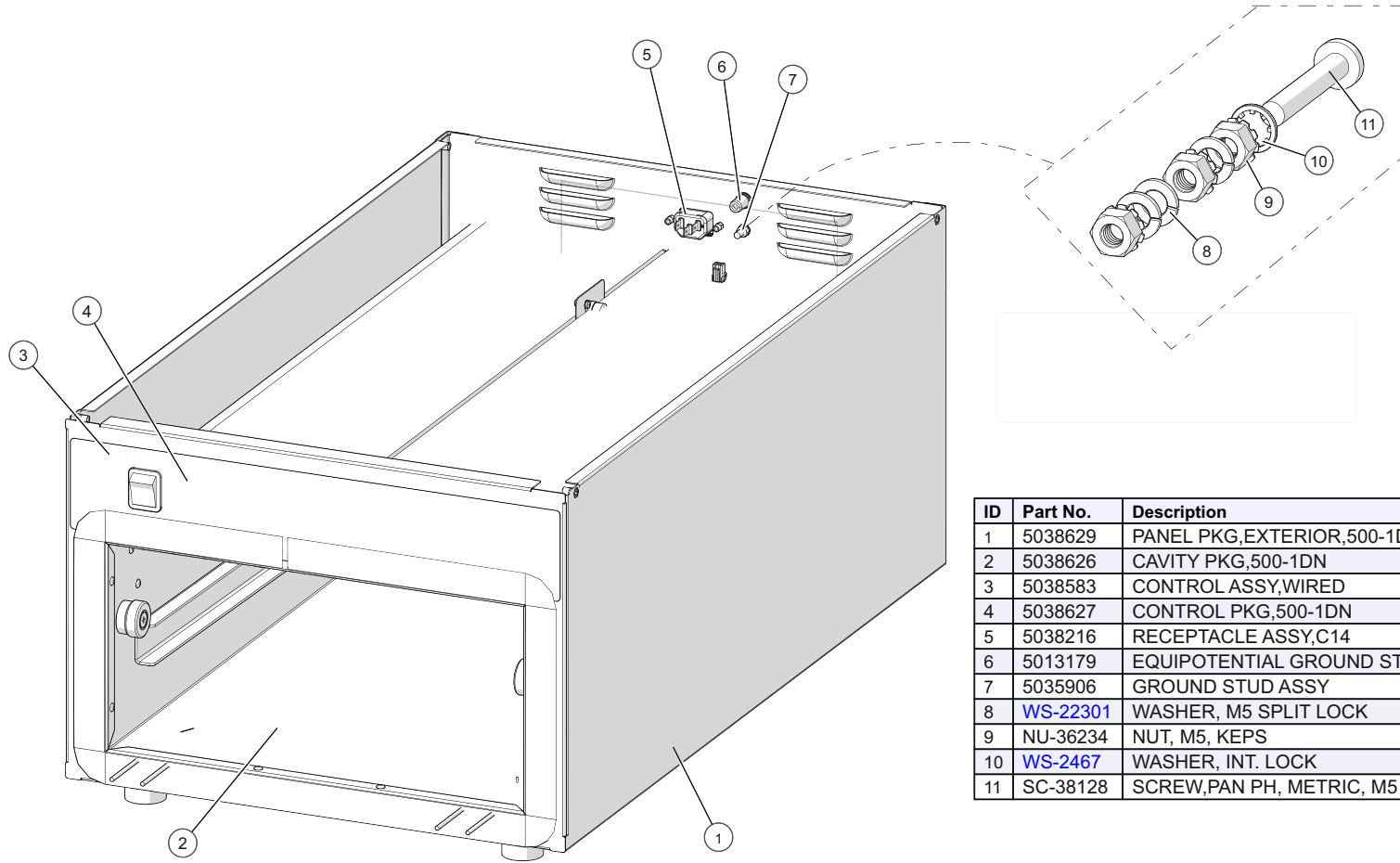
# Core Package, 500-1DN



ID	Part No.	Description	Qty
1	5038623	PANEL PKG,EXTERIOR,500-1DN	1
2	5038626	CAVITY PKG,500-1DN	1
3	5038627	CONTROL PKG,500-1DN	1
4	5038583	CONTROL ASSY,WIRED	1
5	5038216	RECEPTACLE ASSY,C14	1
6	5013179	EQUIPOTENTIAL GROUND STUD	1
7	5035906	GROUND STUD ASSY	1
8	<a href="#">WS-22301</a>	WASHER, M5 SPLIT LOCK	3
9	<a href="#">NU-36234</a>	NUT, M5, KEPS	3
10	<a href="#">WS-2467</a>	WASHER, INT. LOCK	1
11	SC-38128	SCREW,PAN PH, METRIC, M5	1

5038628\_0

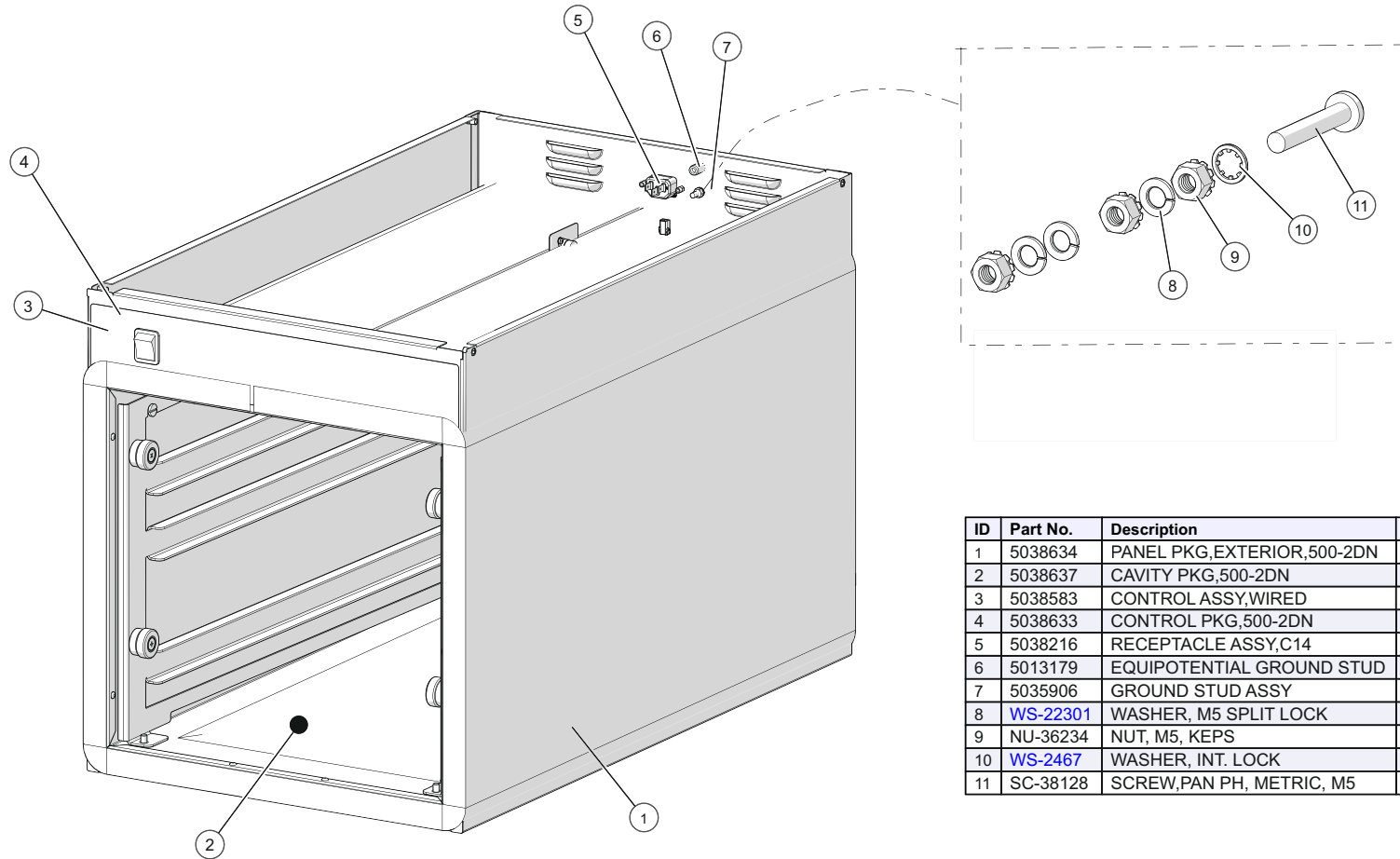
# Core Package, 500-1DN (Specialty)



ID	Part No.	Description	Qty
1	5038629	PANEL PKG, EXTERIOR, 500-1DN	1
2	5038626	CAVITY PKG, 500-1DN	1
3	5038583	CONTROL ASSY, WIRED	1
4	5038627	CONTROL PKG, 500-1DN	1
5	5038216	RECEPTACLE ASSY, C14	1
6	5013179	EQUIPOTENTIAL GROUND STUD	1
7	5035906	GROUND STUD ASSY	1
8	WS-22301	WASHER, M5 SPLIT LOCK	3
9	NU-36234	NUT, M5, KEPS	3
10	WS-2467	WASHER, INT. LOCK	1
11	SC-38128	SCREW, PAN PH, METRIC, M5	1

5038632\_0

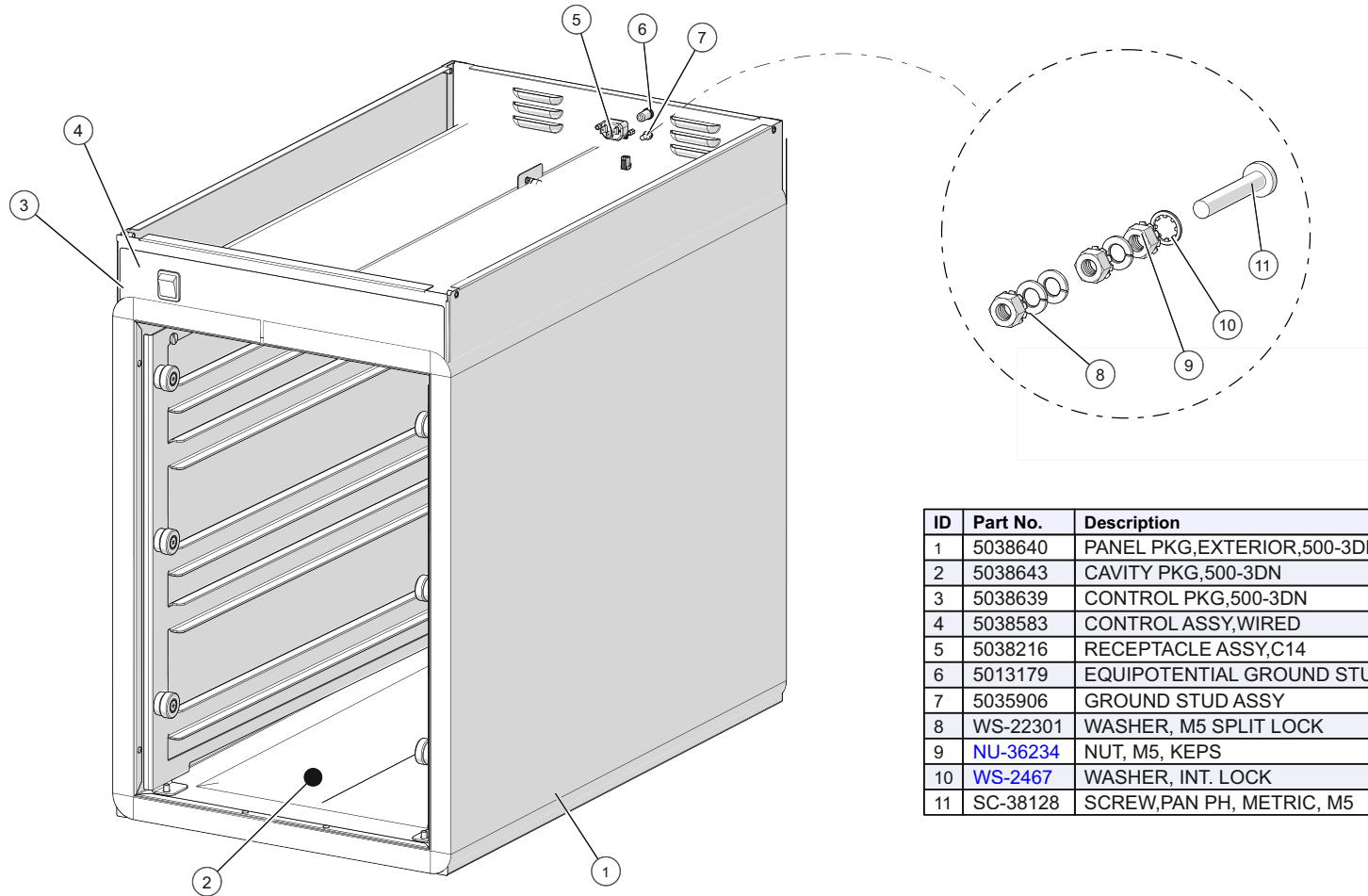
# Core Package, 500-2DN



ID	Part No.	Description	Qty
1	5038634	PANEL PKG,EXTERIOR,500-2DN	1
2	5038637	CAVITY PKG,500-2DN	1
3	5038583	CONTROL ASSY,WIRED	1
4	5038633	CONTROL PKG,500-2DN	1
5	5038216	RECEPTACLE ASSY,C14	1
6	5013179	EQUIPOTENTIAL GROUND STUD	1
7	5035906	GROUND STUD ASSY	1
8	<a href="#">WS-22301</a>	WASHER, M5 SPLIT LOCK	3
9	NU-36234	NUT, M5, KEPS	3
10	<a href="#">WS-2467</a>	WASHER, INT. LOCK	1
11	SC-38128	SCREW,PAN PH, METRIC, M5	1

5038638\_0

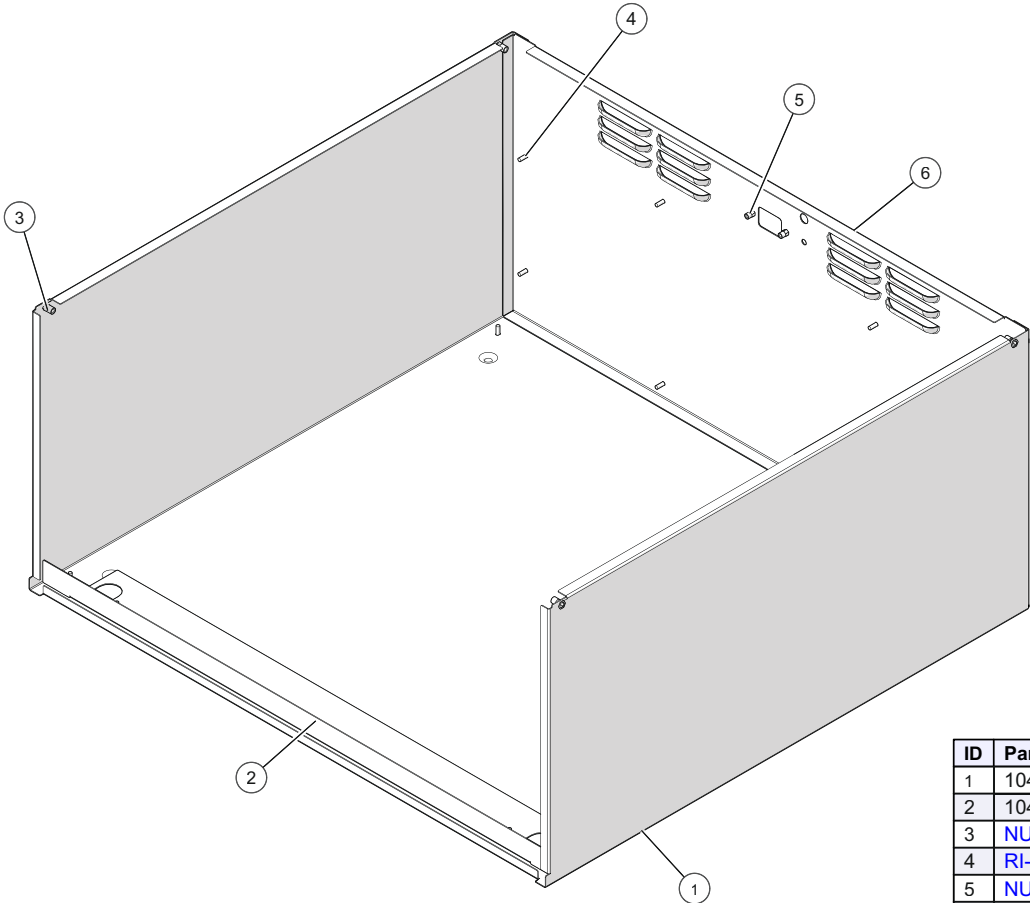
# Core Package, 500-3DN



ID	Part No.	Description	Qty
1	5038640	PANEL PKG, EXTERIOR, 500-3DN	1
2	5038643	CAVITY PKG, 500-3DN	1
3	5038639	CONTROL PKG, 500-3DN	1
4	5038583	CONTROL ASSY, WIRED	1
5	5038216	RECEPTACLE ASSY, C14	1
6	5013179	EQUIPOTENTIAL GROUND STUD	1
7	5035906	GROUND STUD ASSY	1
8	WS-22301	WASHER, M5 SPLIT LOCK	3
9	NU-36234	NUT, M5, KEPS	3
10	WS-2467	WASHER, INT. LOCK	1
11	SC-38128	SCREW, PAN PH, METRIC, M5	1

5038644\_0

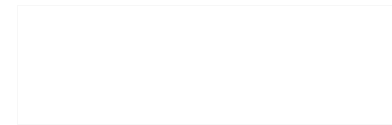
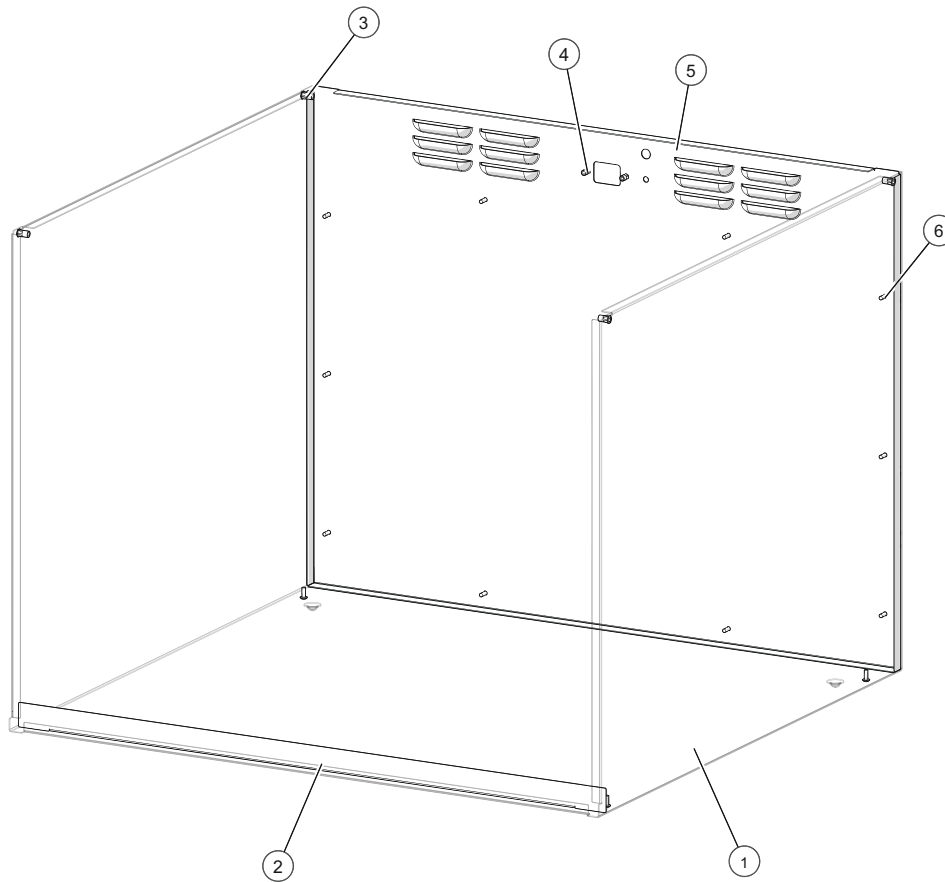
# Panel Package, 500-1D



ID	Part No.	Description	Qty
1	1043938	PANEL,CASING,OUTER,500-1D	1
2	1043937	CHANNEL,500-D	1
3	<a href="#">NU-26866</a>	NUT, HEX INSERT M4	4
4	<a href="#">RI-38125</a>	RIVET,SEALED,.125"	14
5	<a href="#">NU-46432</a>	NUT, HEX INSERT M3	2
6	1043120	PANEL,REAR,500-1D	1

5038578\_0

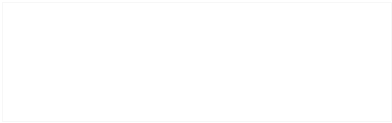
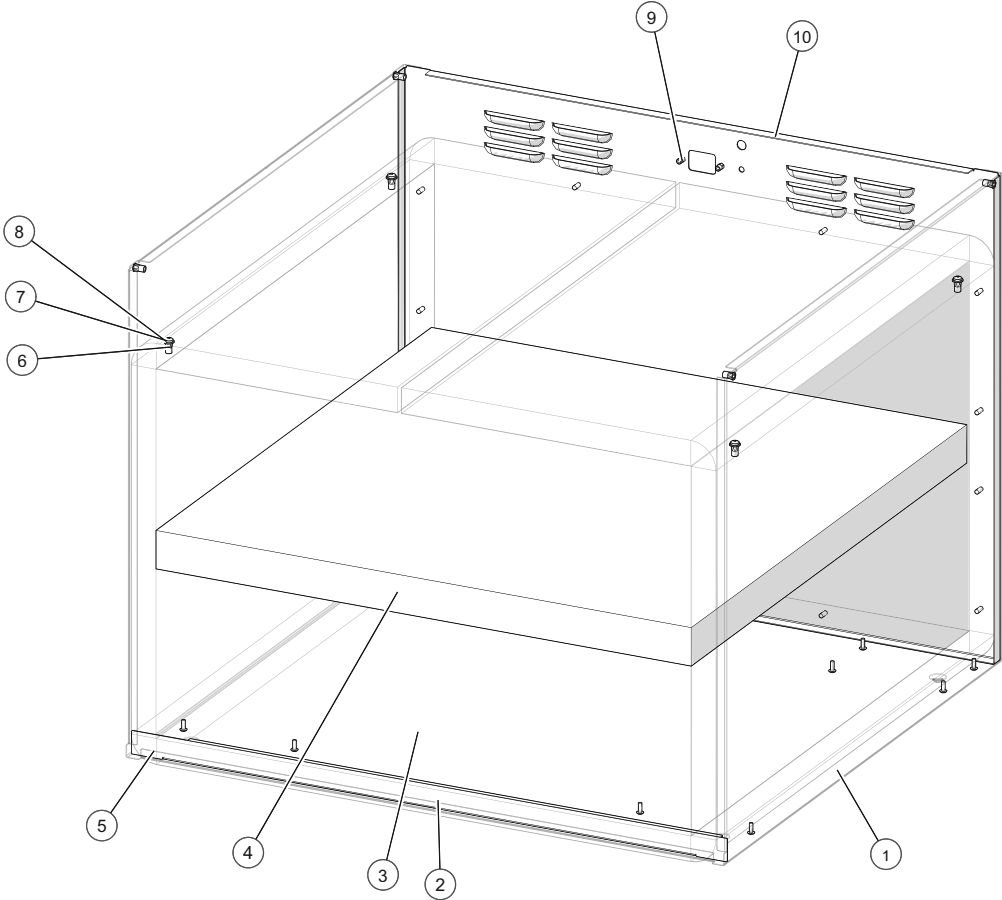
# Panel Package, 500-2D



ID	Part No.	Description	Qty
5	1043118	PANEL,REAR,500-2D	1
2	1043937	CHANNEL,500-D	1
1	1043966	PANEL,CASING,OUTER,500-2D	1
3	NU-26866	NUT, HEX INSERT M4	4
4	NU-46432	NUT, HEX INSERT M3	2
6	<a href="#">RI-38125</a>	RIVET,SEALED,.125"	16

5038602\_0

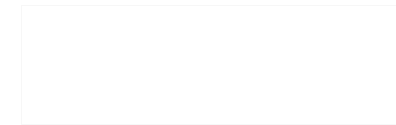
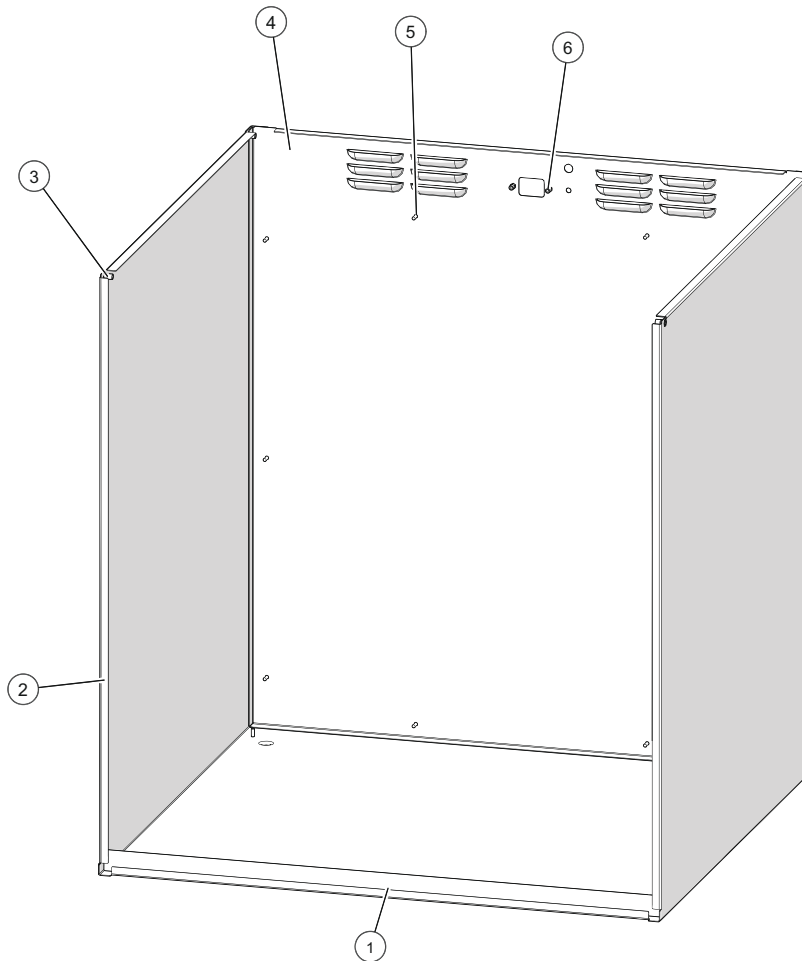
# Panel Package, 500-2DI



ID	Part No.	Description	Qty
1	1043979	PANEL,CASING,OUTER,500-2DI	1
2	1033406	GUTTER	1
3	1043753	INSULATION,CAVITY,500-2DI	1
4	1043754	INSULATION,CAVITY,MID,500-2DI	1
5	RI-38125	RIVET,SEALED, .125"	18
6	NU-26866	NUT, HEX INSERT M4	8
7	SC-22273	SCREW,M4x0.7X10MM PAN	20
8	WS-22295	WASHER, FLAT M5 S/S	4
9	NU-46432	NUT, HEX INSERT M3	2
10	1043691	PANEL,REAR,500-2DI	1

5038609\_0

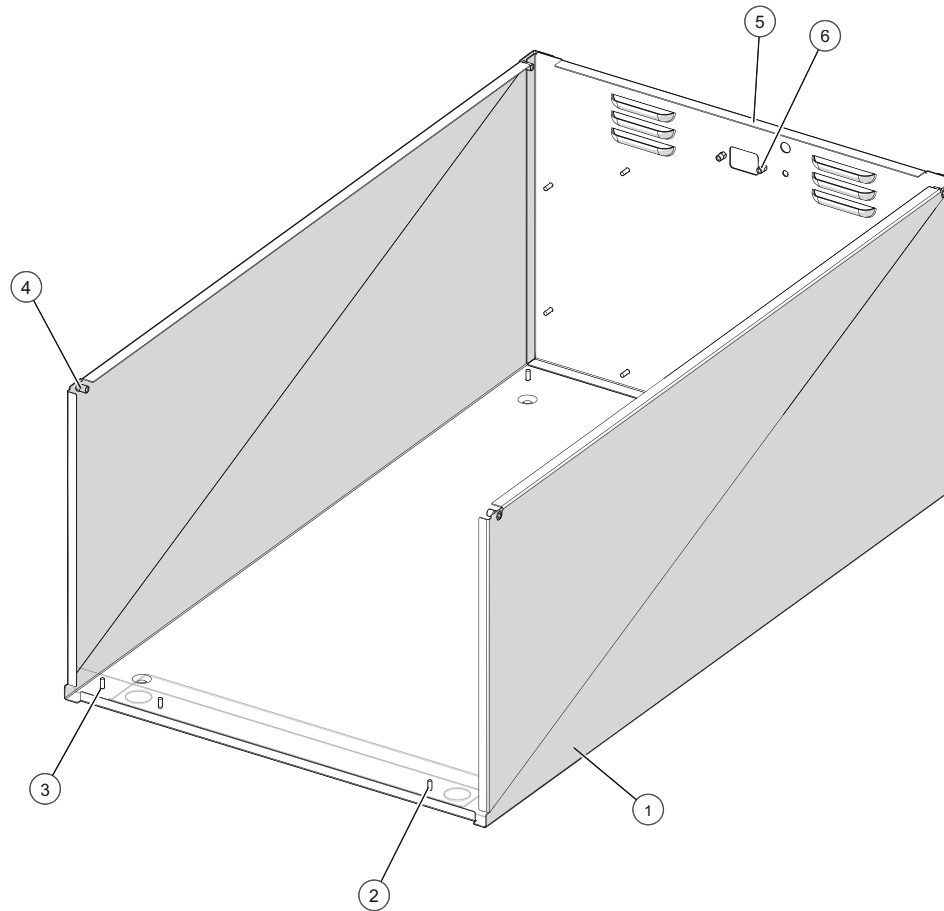
# Panel Package, 500-3D



ID	Part No.	Description	Qty
1	1033406	GUTTER	1
2	1043988	PANEL,CASING,OUTER,500-3D	1
3	NU-26866	NUT, HEX INSERT M4	4
4	1043121	PANEL,REAR,500-3D	1
5	RI-38125	RIVET,SEALED,.125"	16
6	<a href="#">NU-46432</a>	NUT, HEX INSERT M3	2

5038617\_0

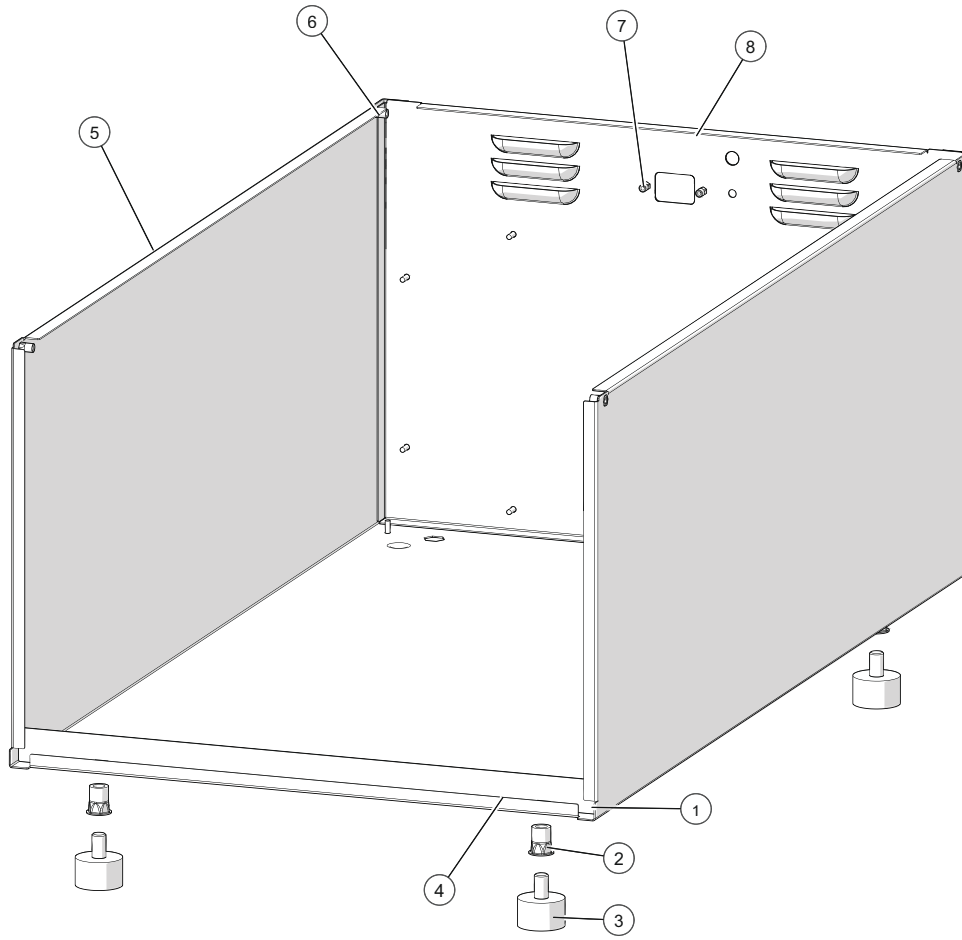
# Panel Package, 500-1DN



ID	Part No.	Description	Qty
1	1043989	PANEL,CASING,OUTER,500-1DN	1
2	1033491	GUTTER	1
3	<a href="#">RI-38125</a>	RIVET,SEALED,.125"	14
4	<a href="#">NU-26866</a>	NUT, HEX INSERT M4	4
5	1043692	PANEL,REAR,500-1DN	1
6	<a href="#">NU-46432</a>	NUT, HEX INSERT M3	2

5038623\_0

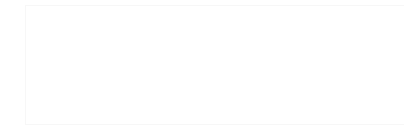
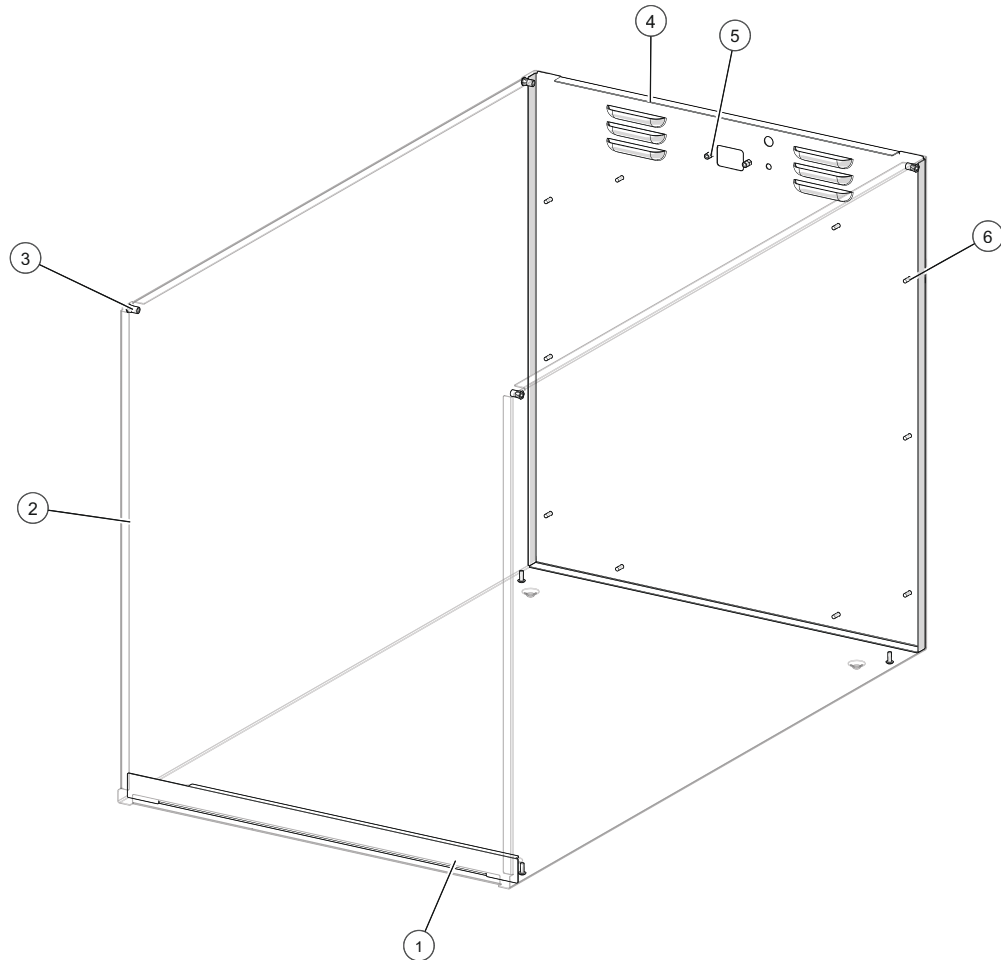
# Panel Package, 500-1DN (Specialty)



ID	Part No.	Description	Qty
1	RI-38125	RIVET,SEALED,.125"	14
2	NU-36369	NUT, 3/8-16 HEX INSERT	4
3	FE-29203	FEET, 3/4" HEIGHT, 3/8-16 X 5/6 THREAD	4
4	1033491	GUTTER	1
5	1043991	PANEL,CASING,OUTER,500-1DN	1
6	NU-26866	NUT, HEX INSERT M4	4
7	NU-46432	NUT, HEX INSERT M3	2
8	1043692	PANEL,REAR,500-1DN	1

5038629\_0

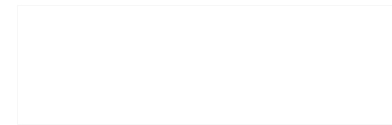
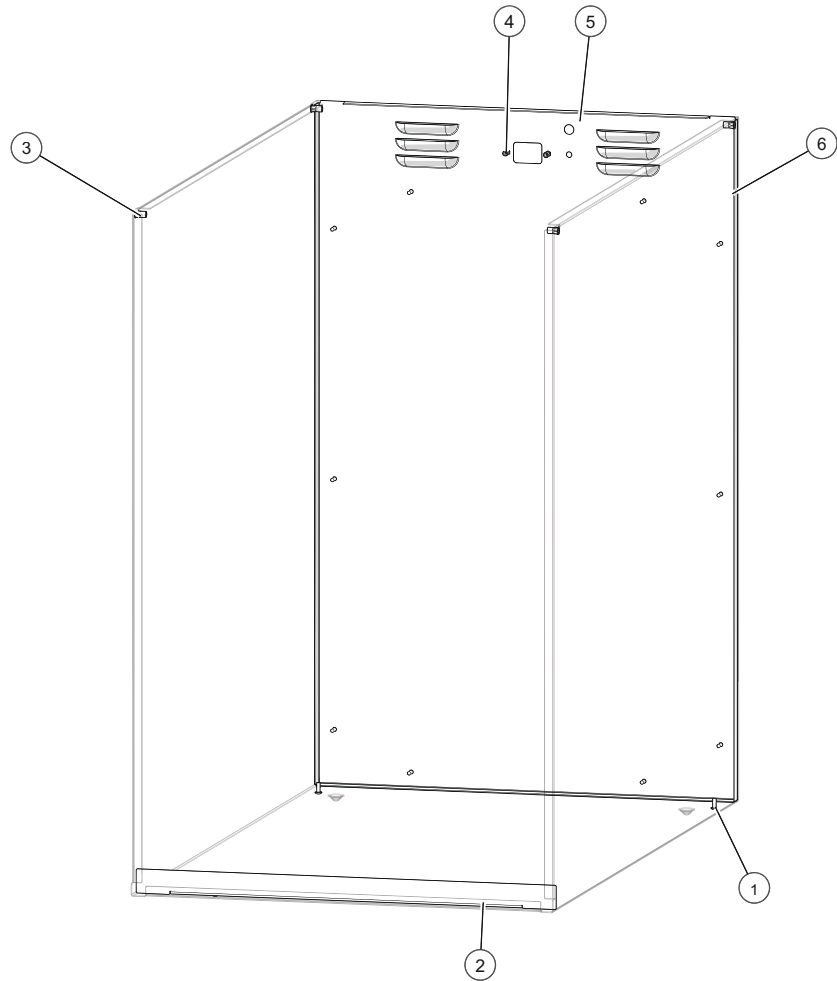
# Panel Package, 500-2DN



ID	Part No.	Description	Qty
1	1033491	GUTTER	1
2	1043995	PANEL,CASING,OUTER,500-2DN	1
3	NU-26866	NUT, HEX INSERT M4	4
4	1043694	PANEL,REAR,500-2DN	1
5	NU-46432	NUT, HEX INSERT M3	2
6	RI-38125	RIVET,SEALED,.125"	16

5038634\_0

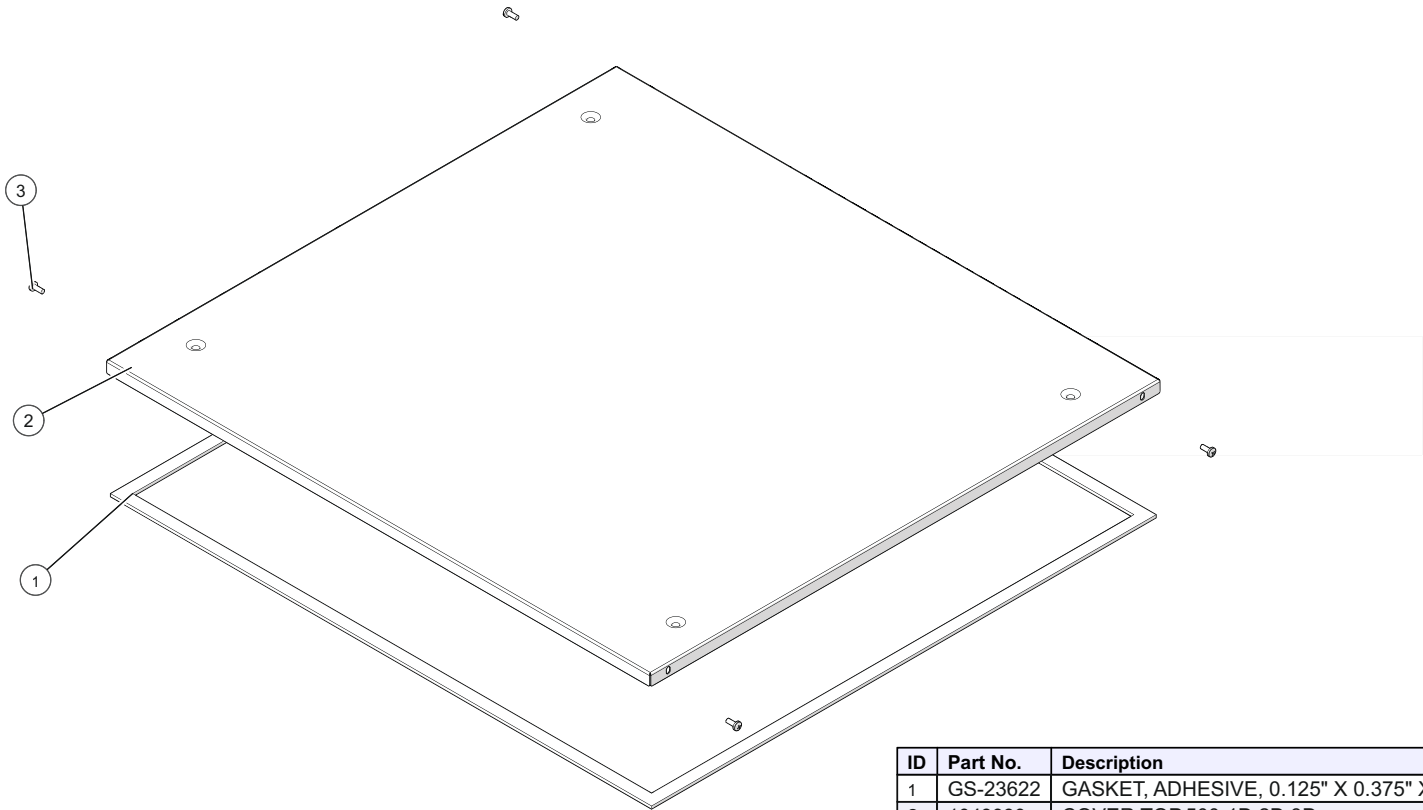
# Panel Package, 500-3DN



ID	Part No.	Description	Qty
1	<a href="#">RI-38125</a>	RIVET,SEALED,.125"	16
2	1033491	GUTTER	1
3	<a href="#">NU-26866</a>	NUT, HEX INSERT M4	4
4	<a href="#">NU-46432</a>	NUT, HEX INSERT M3	2
5	1043695	PANEL,REAR,500-3DN	1
6	1043996	PANEL,CASING,OUTER,500-3DN	1

5038640\_0

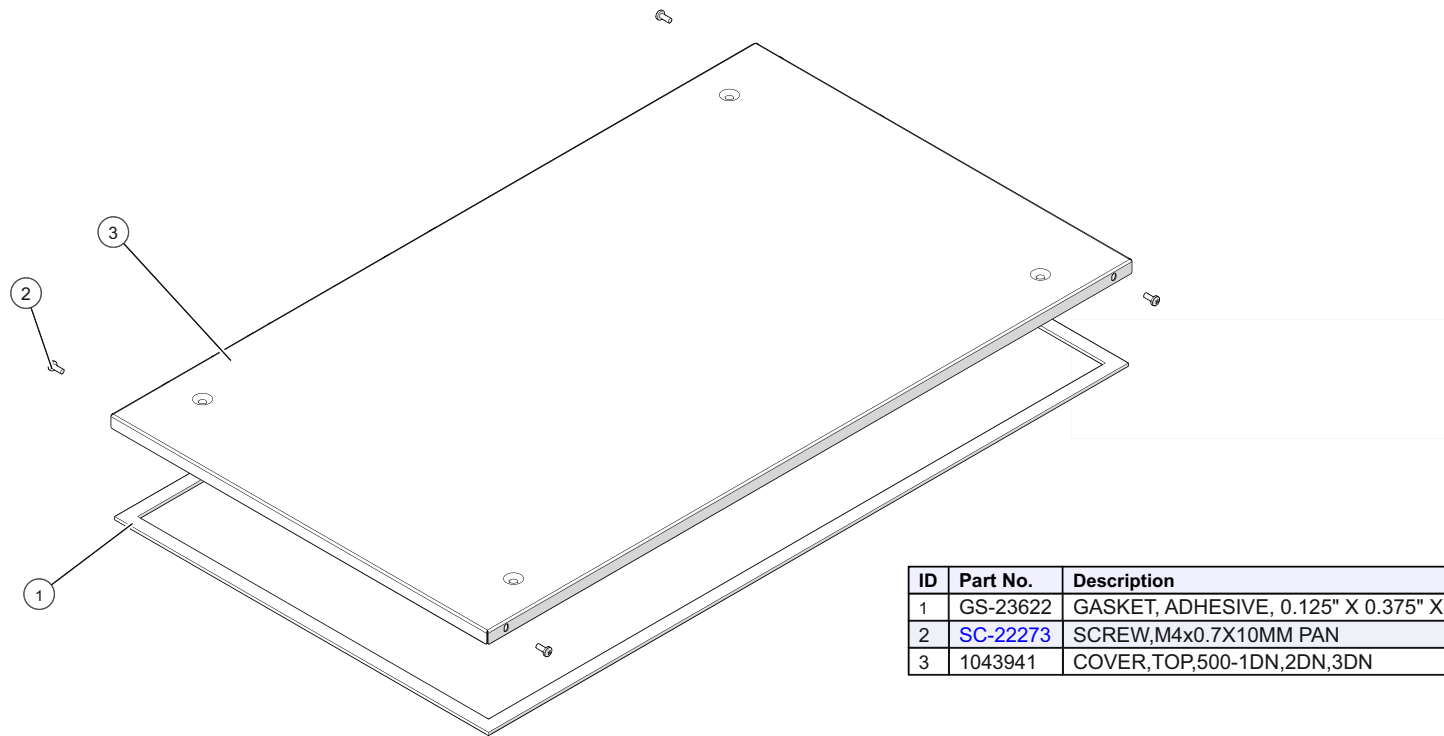
# Cover Assembly, Top (All 500-D and DI models)



ID	Part No.	Description	Qty
1	GS-23622	GASKET, ADHESIVE, 0.125" X 0.375" X 94"	1
2	1043939	COVER, TOP, 500-1D, 2D, 3D	1
3	SC-22273	SCREW, M4x0.7X10MM PAN	4

5038580\_0

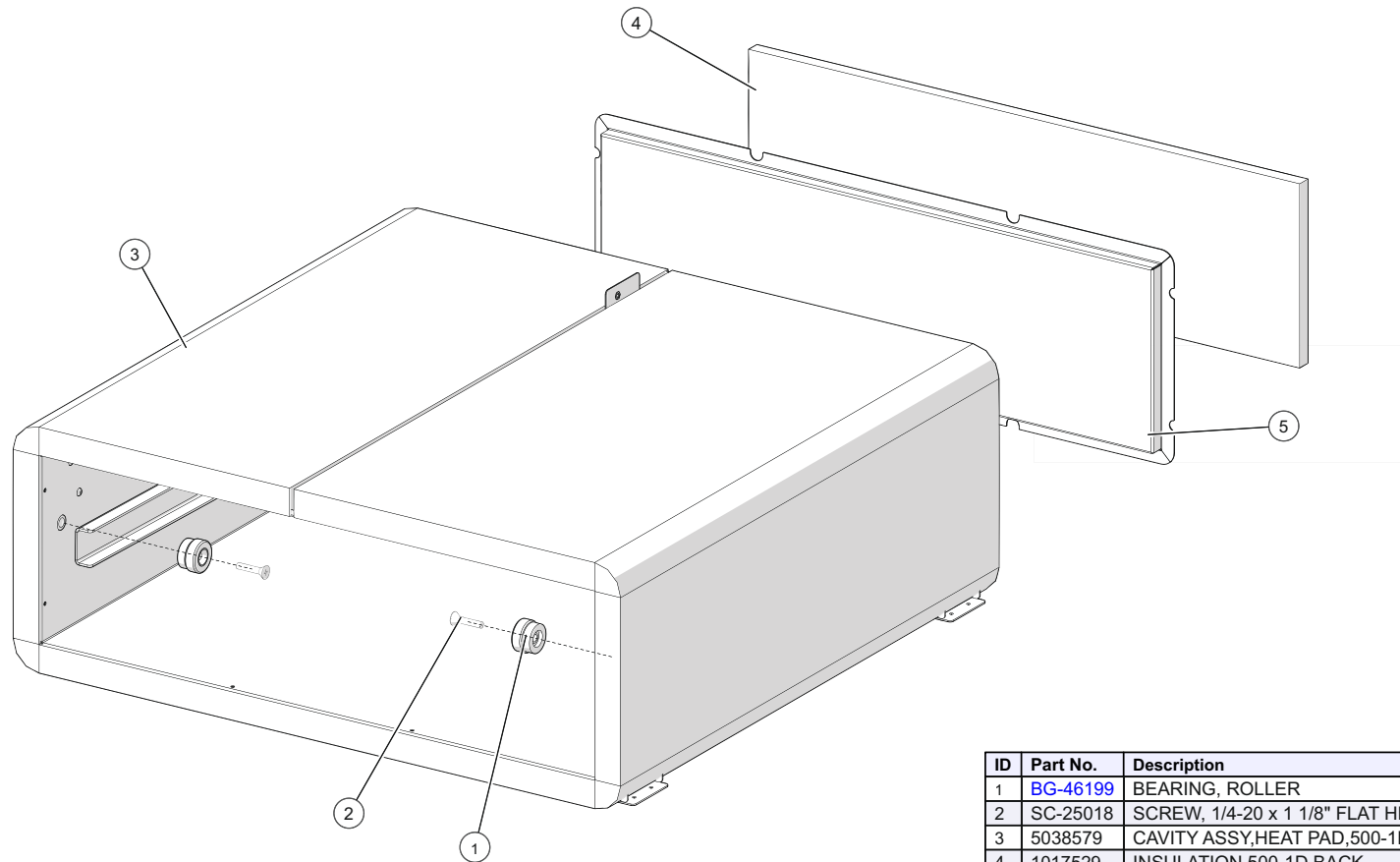
## Cover Assembly, Top (All 500-DN models)



ID	Part No.	Description	Qty
1	GS-23622	GASKET, ADHESIVE, 0.125" X 0.375" X 88"	1
2	<a href="#">SC-22273</a>	SCREW,M4x0.7X10MM PAN	4
3	1043941	COVER,TOP,500-1DN,2DN,3DN	1

5038584\_0

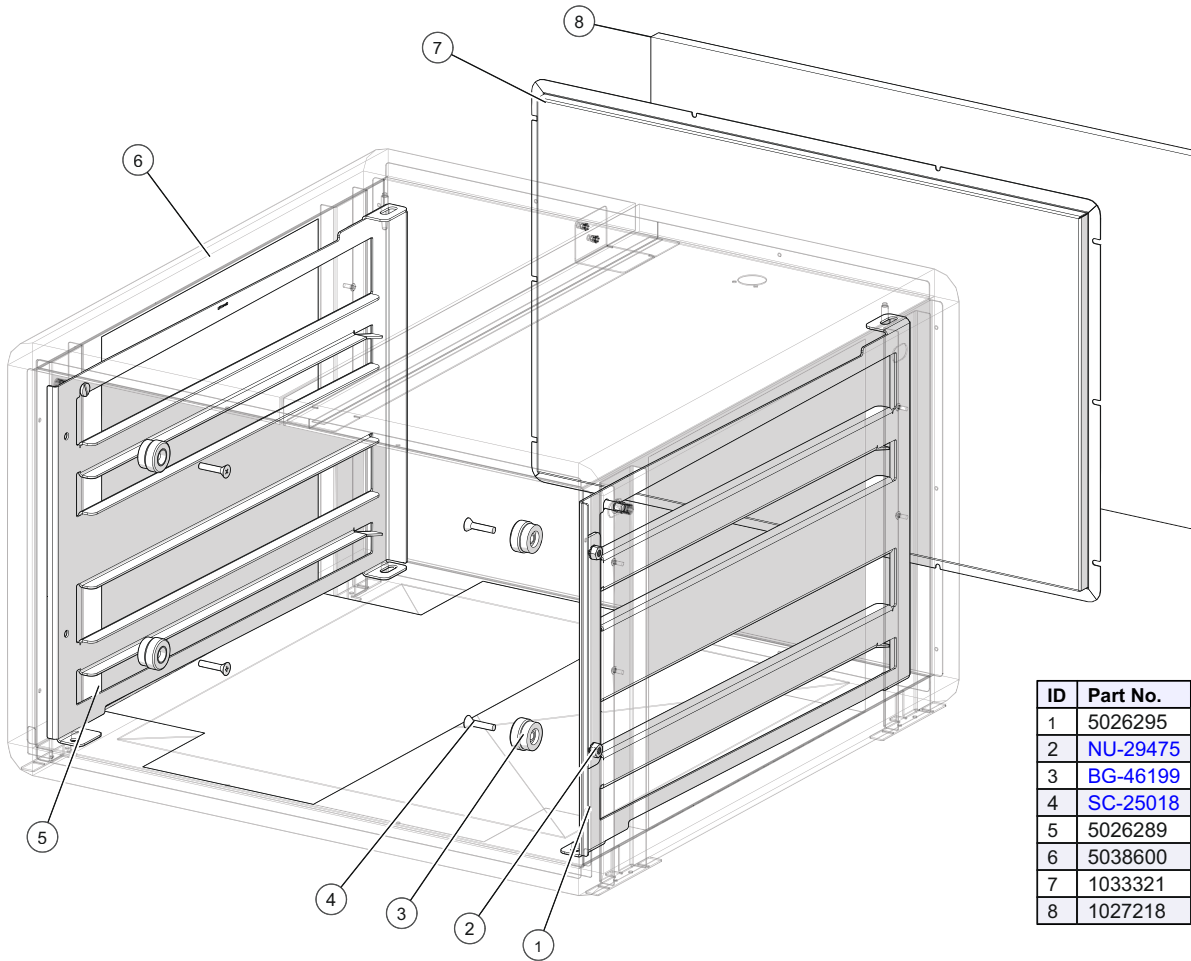
# Cavity Package, 500-1D



ID	Part No.	Description	Qty
1	BG-46199	BEARING, ROLLER	2
2	SC-25018	SCREW, 1/4-20 x 1 1/8" FLAT HD	2
3	5038579	CAVITY ASSY,HEAT PAD,500-1D	1
4	1017529	INSULATION,500-1D,BACK,	1
5	1012667	PANEL, INNER BACK, 500-1D	1

5038577\_0

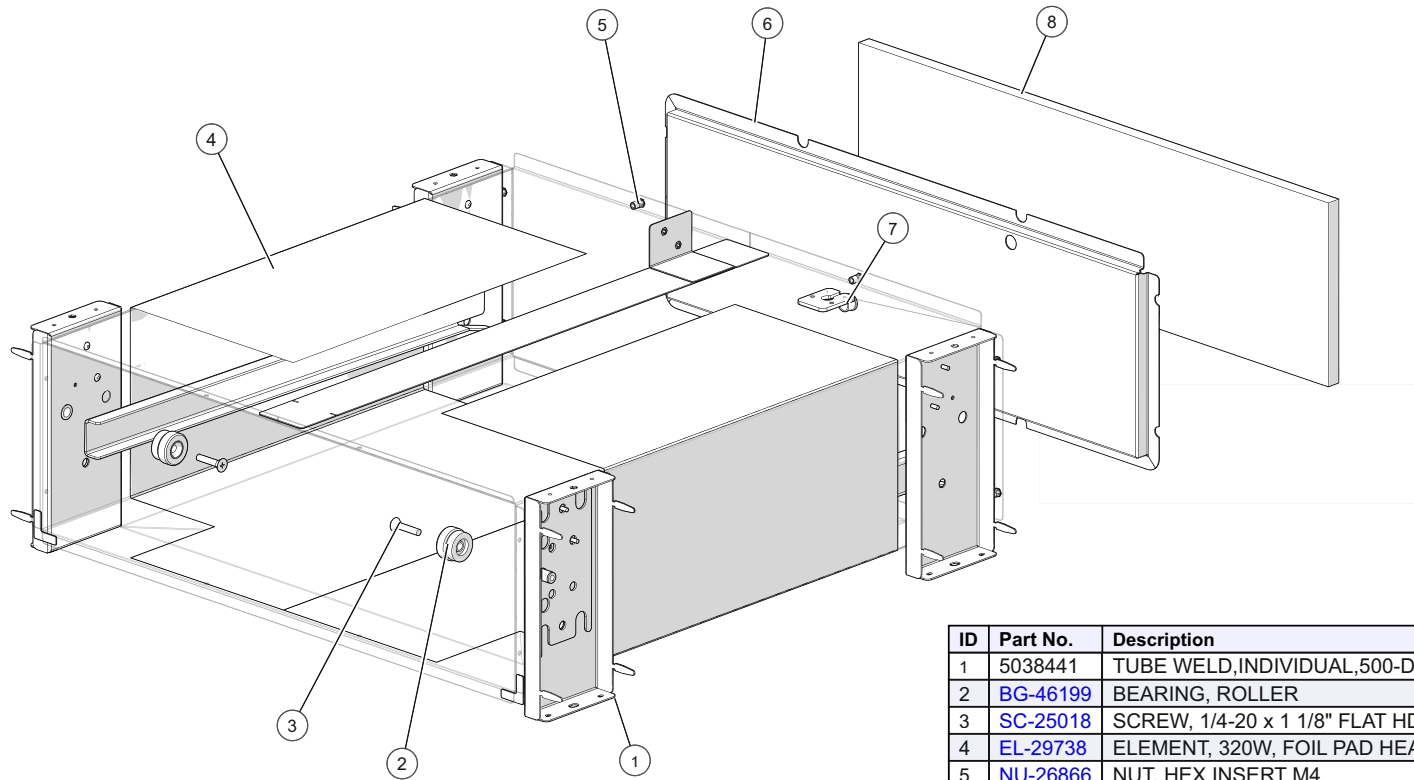
# Cavity Package, 500-2D



ID	Part No.	Description	Qty
1	5026295	RAIL, RIGHT, ASSEMBLY	1
2	<a href="#">NU-29475</a>	1/4"-20 KEPS NUT	4
3	<a href="#">BG-46199</a>	BEARING, ROLLER	4
4	<a href="#">SC-25018</a>	SCREW, 1/4-20 x 1 1/8" FLAT HD	4
5	5026289	RAIL, LEFT, ASSEMBLY	1
6	5038600	CAVITY ASSY,HEAT PAD,500-2D	1
7	1033321	PANEL, INNER BACK	1
8	1027218	INSULATION,500-2D,BACK	1

5038599\_0

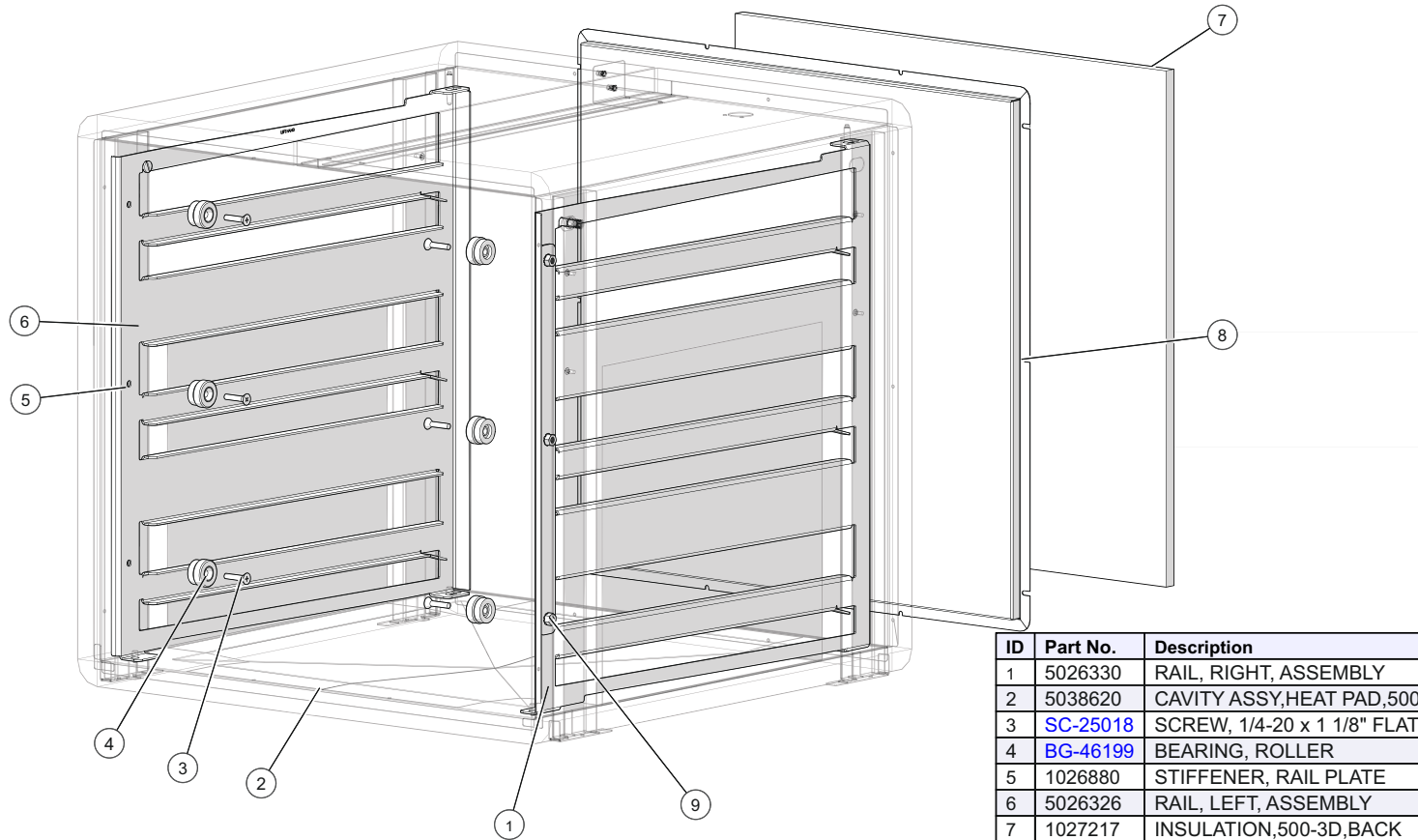
# Cavity Package, 500-2DI



ID	Part No.	Description	Qty
1	5038441	TUBE WELD,INDIVIDUAL,500-DI	1
2	<a href="#">BG-46199</a>	BEARING, ROLLER	2
3	<a href="#">SC-25018</a>	SCREW, 1/4-20 x 1 1/8" FLAT HD	2
4	<a href="#">EL-29738</a>	ELEMENT, 320W, FOIL PAD HEATER	2
5	<a href="#">NU-26866</a>	NUT, HEX INSERT M4	8
6	1029429	PANEL, INNER BACK, 500-2DI	1
7	<a href="#">BU-3006</a>	1/2" HOLE BUSHING	1
8	1017529	INSULATION,500-1D,BACK,	1

5038443\_0

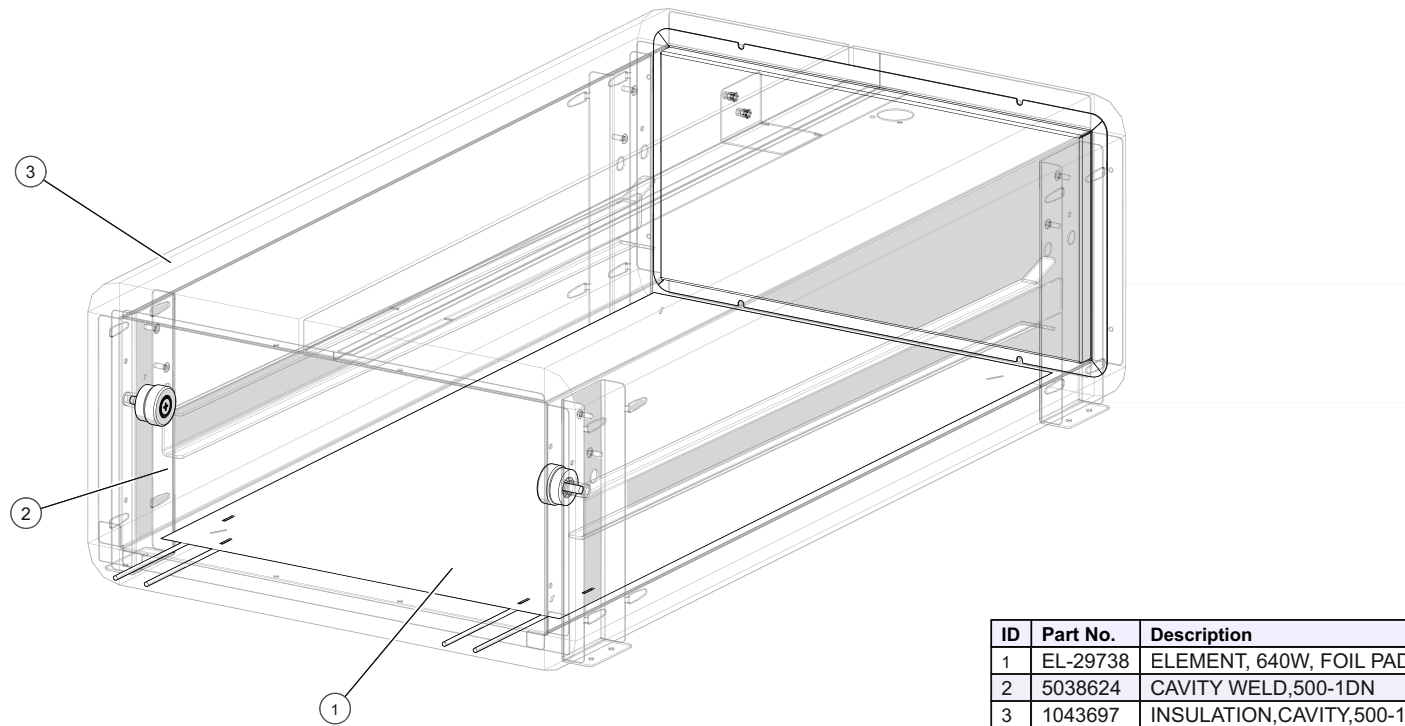
# Cavity Package, 500-3D



ID	Part No.	Description	Qty
1	5026330	RAIL, RIGHT, ASSEMBLY	1
2	5038620	CAVITY ASSY,HEAT PAD,500-3D	1
3	SC-25018	SCREW, 1/4-20 x 1 1/8" FLAT HD	6
4	BG-46199	BEARING, ROLLER	6
5	1026880	STIFFENER, RAIL PLATE	2
6	5026326	RAIL, LEFT, ASSEMBLY	1
7	1027217	INSULATION,500-3D,BACK	1
8	1033429	PANEL, INNER BACK	1
9	NU-29475	1/4"-20 KEPS NUT	6

5038621\_0

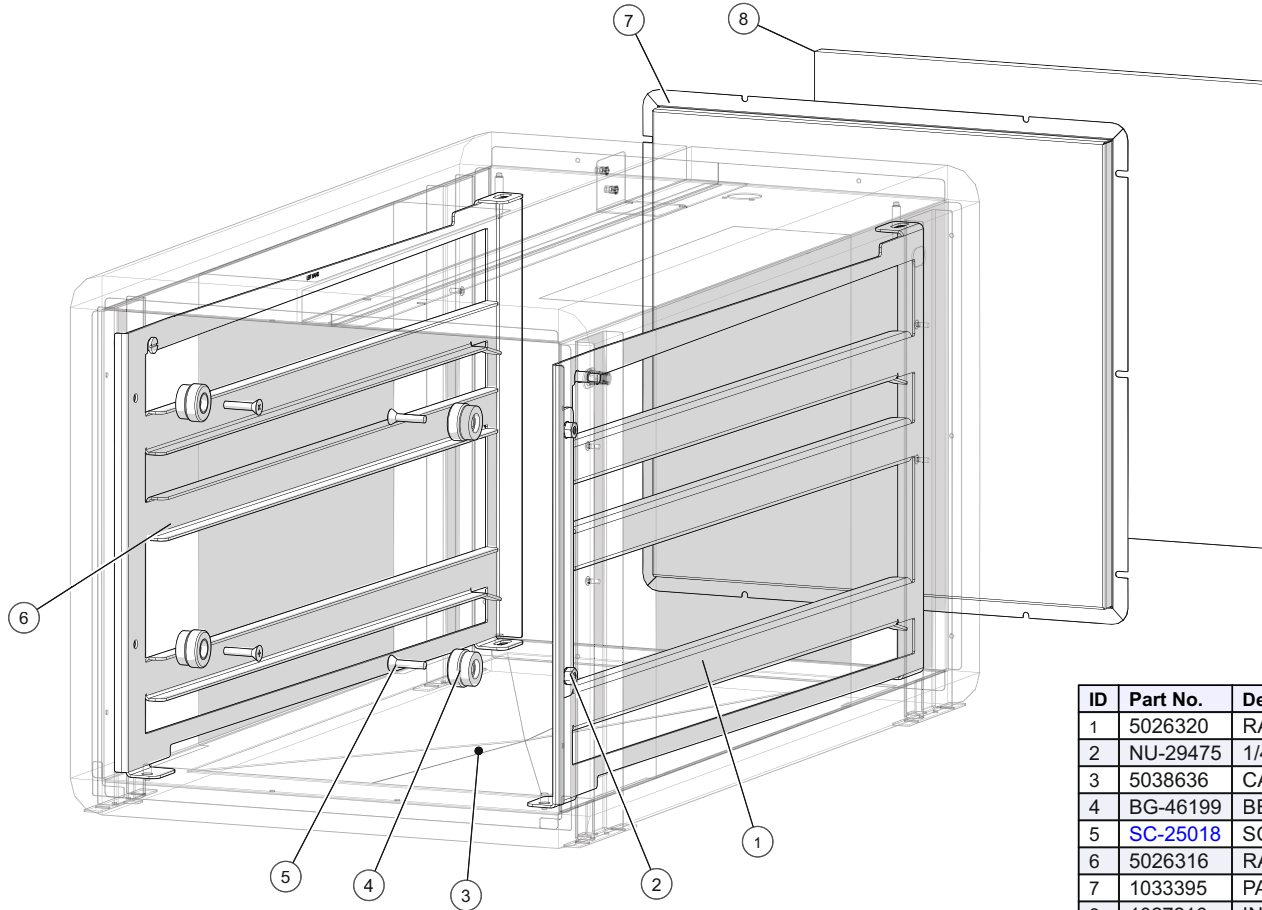
# Cavity Package, 500-1DN



ID	Part No.	Description	Qty
1	EL-29738	ELEMENT, 640W, FOIL PAD HEATER	1
2	5038624	CAVITY WELD,500-1DN	1
3	1043697	INSULATION,CAVITY,500-1DN	1

5038626\_0

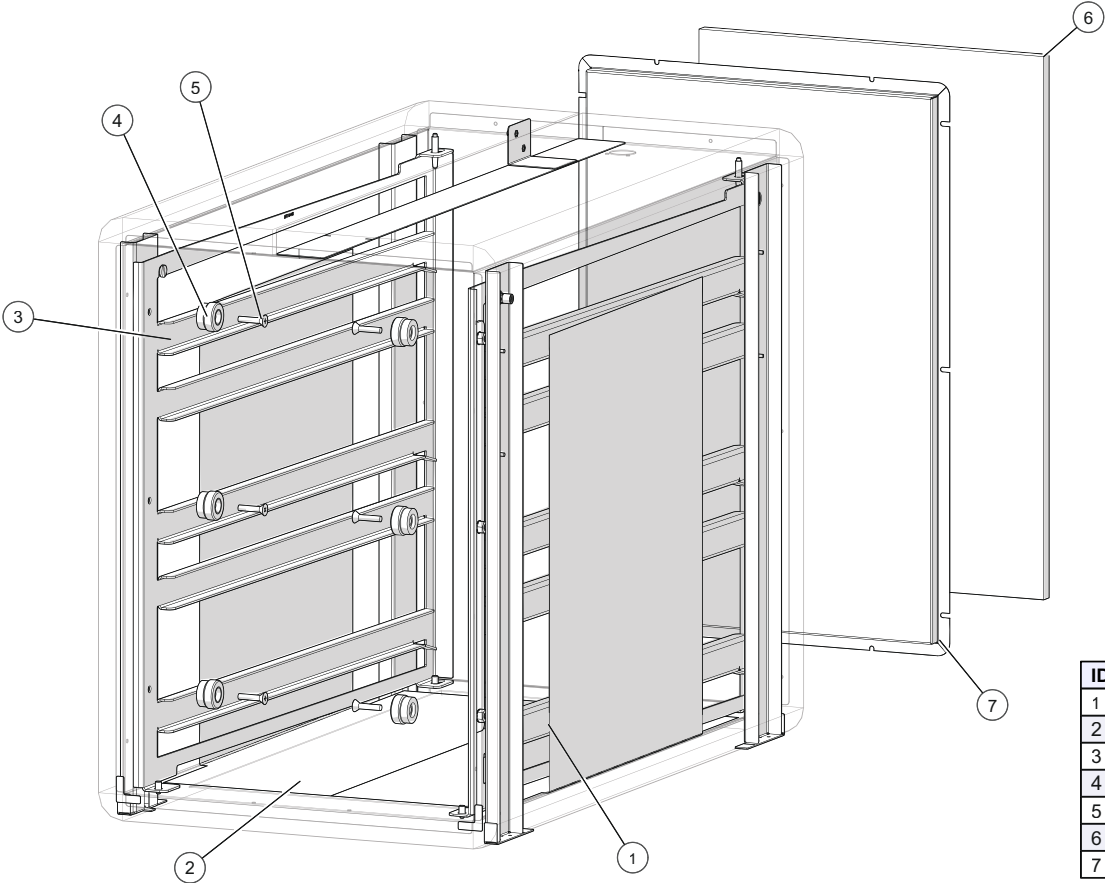
# Cavity Package, 500-2DN



ID	Part No.	Description	Qty
1	5026320	RAIL, RIGHT, ASSEMBLY	1
2	NU-29475	1/4\"-20 KEPS NUT	4
3	5038636	CAVITY ASSY,HEAT PAD,500-2DN	1
4	BG-46199	BEARING, ROLLER	4
5	<a href="#">SC-25018</a>	SCREW, 1/4-20 x 1 1/8\" FLAT HD	4
6	5026316	RAIL, LEFT, ASSEMBLY	1
7	1033395	PANEL, INNER BACK	1
8	1027216	INSULATION,500-2DN,BACK	1

5038637\_0

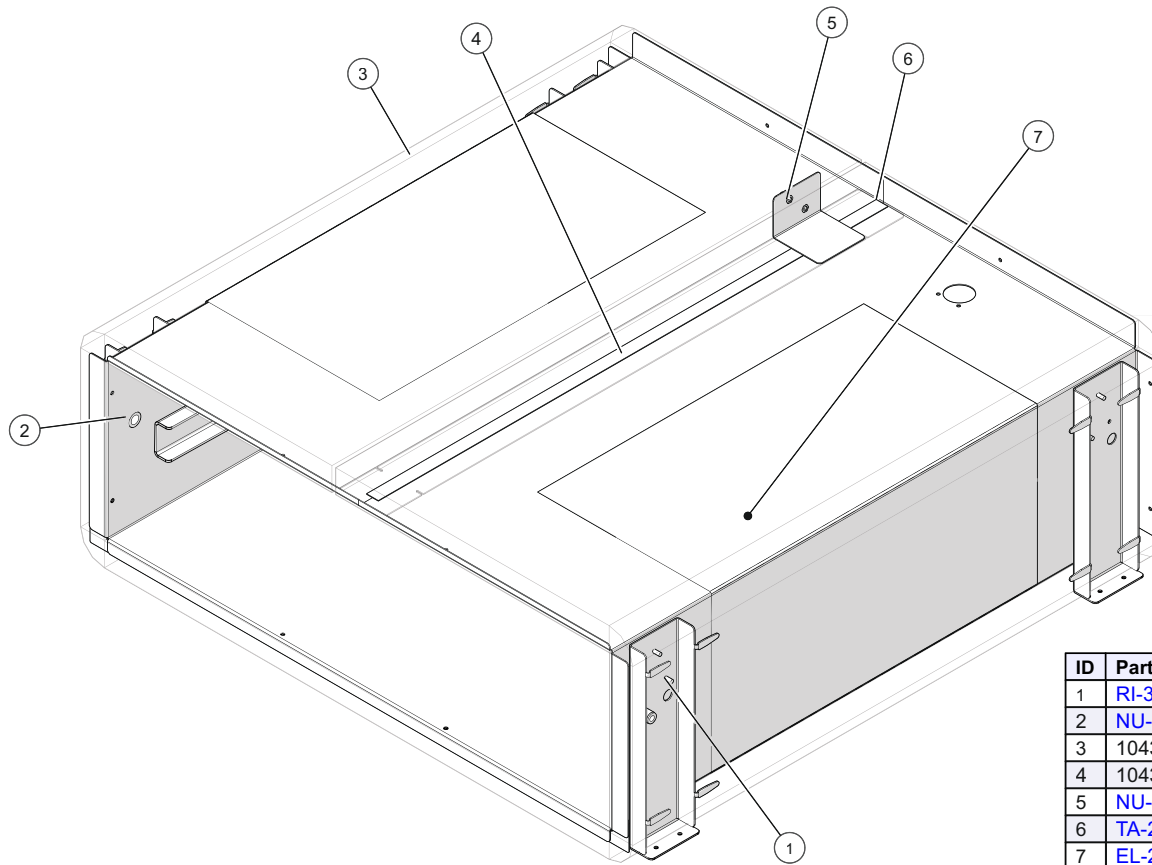
# Cavity Package, 500-3DN



ID	Part No.	Description	Qty
1	5026339	RAIL, RIGHT, ASSEMBLY	1
2	5038642	CAVITY ASSY,HEAT PAD,500-3DN	1
3	5026336	RAIL, LEFT, ASSEMBLY	1
4	BG-46199	BEARING, ROLLER	6
5	SC-25018	SCREW, 1/4-20 x 1 1/8" FLAT HD	6
6	1027219	INSULATION,500-3DN,BACK	1
7	1033483	PANEL, INNER BACK	1

5038643\_0

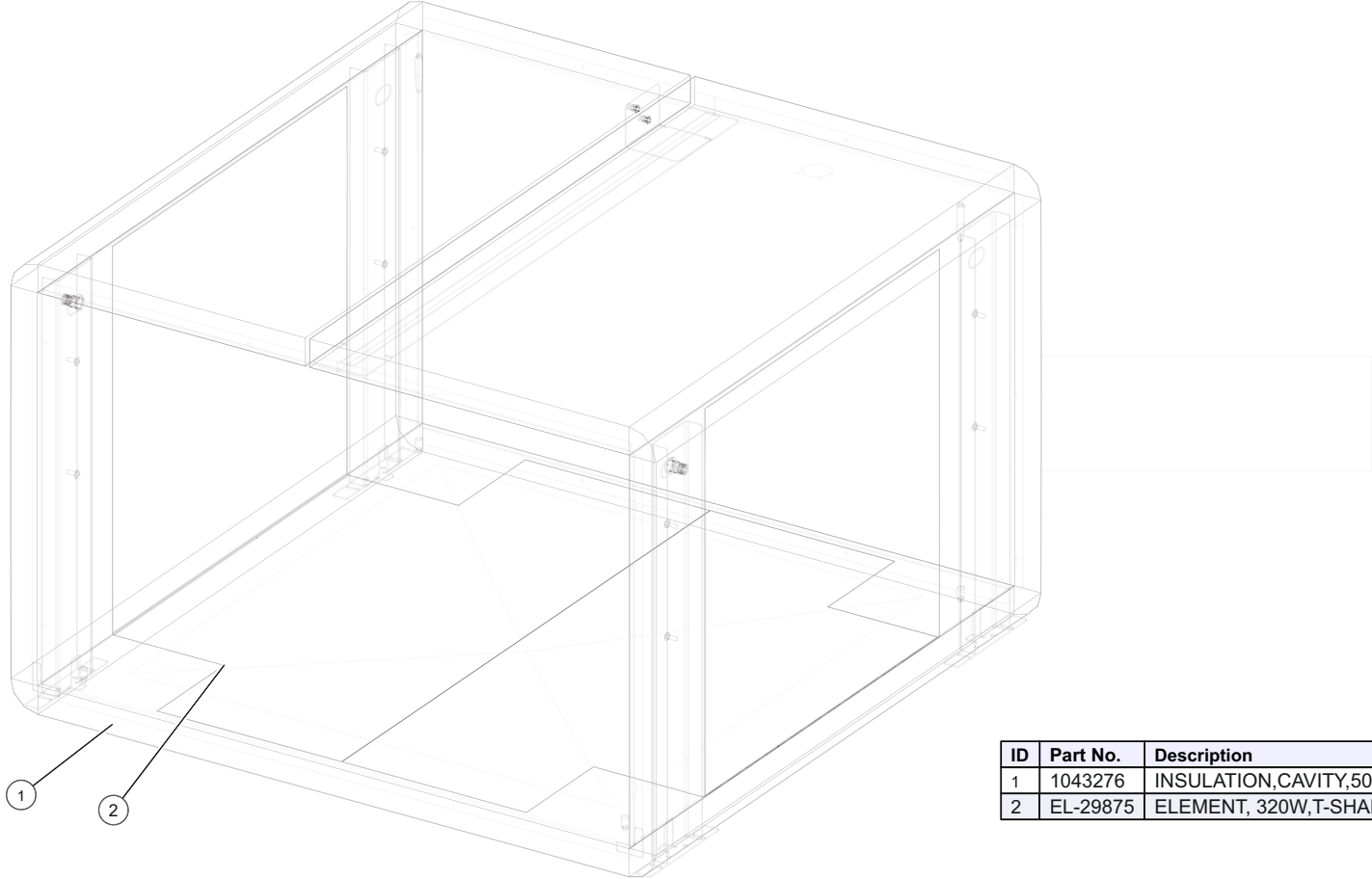
# Cavity Assembly, Heat Pad, 500-1D



ID	Part No.	Description	Qty
1	<a href="#">RI-38125</a>	RIVET,SEALED,.125"	8
2	<a href="#">NU-24613</a>	1/4-20 INSERT NUT	2
3	1043685	INSULATION,CAVITY,500-1D	1
4	1043940	PLATE,SEAM STRIP,500-1D,2D,3D	1
5	<a href="#">NU-46432</a>	NUT, HEX INSERT M3	2
6	<a href="#">TA-24637</a>	1/2" VHB TAPE - 21.875" LENGTH	1
7	<a href="#">EL-29738</a>	ELEMENT, 320W, FOIL PAD HEATER	2

5038579\_0

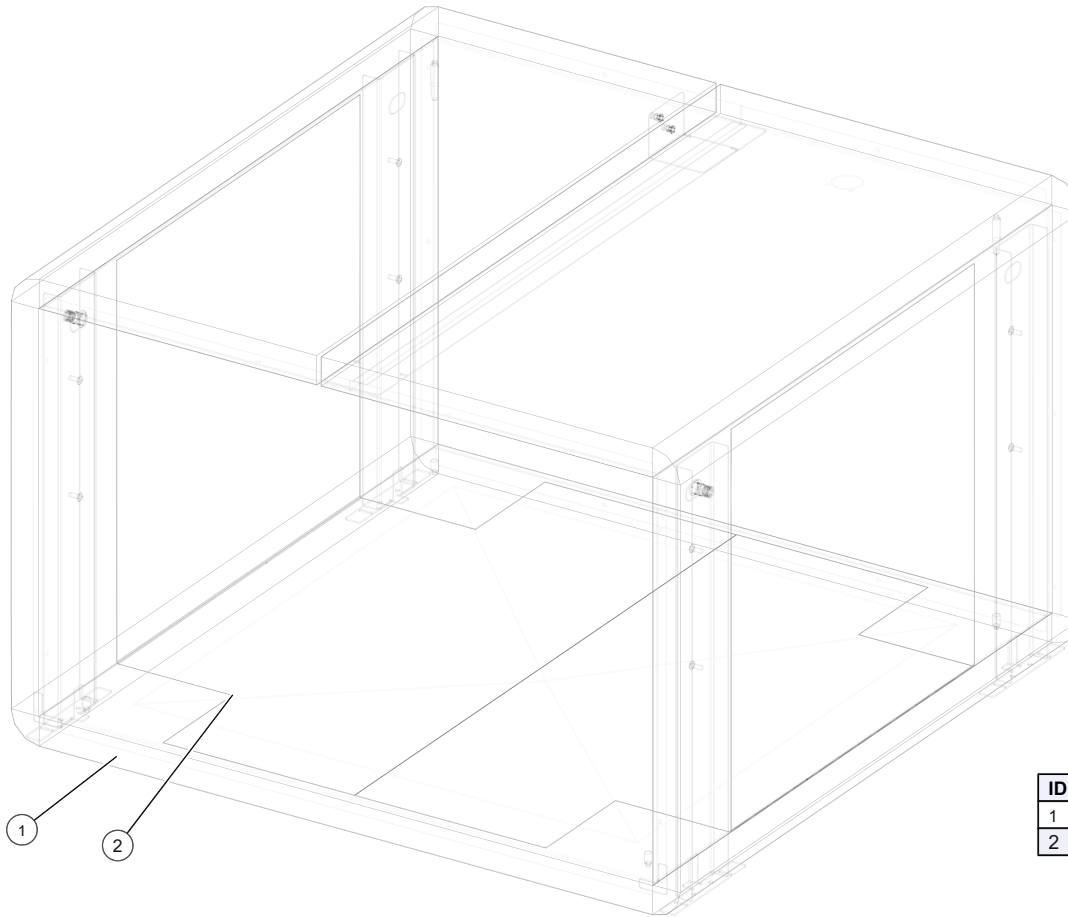
# Cavity Assembly, Heat Pad, 500-2D



ID	Part No.	Description	Qty
1	1043276	INSULATION,CAVITY,500-2D	1
2	EL-29875	ELEMENT, 320W,T-SHAPE	2

5038600\_0

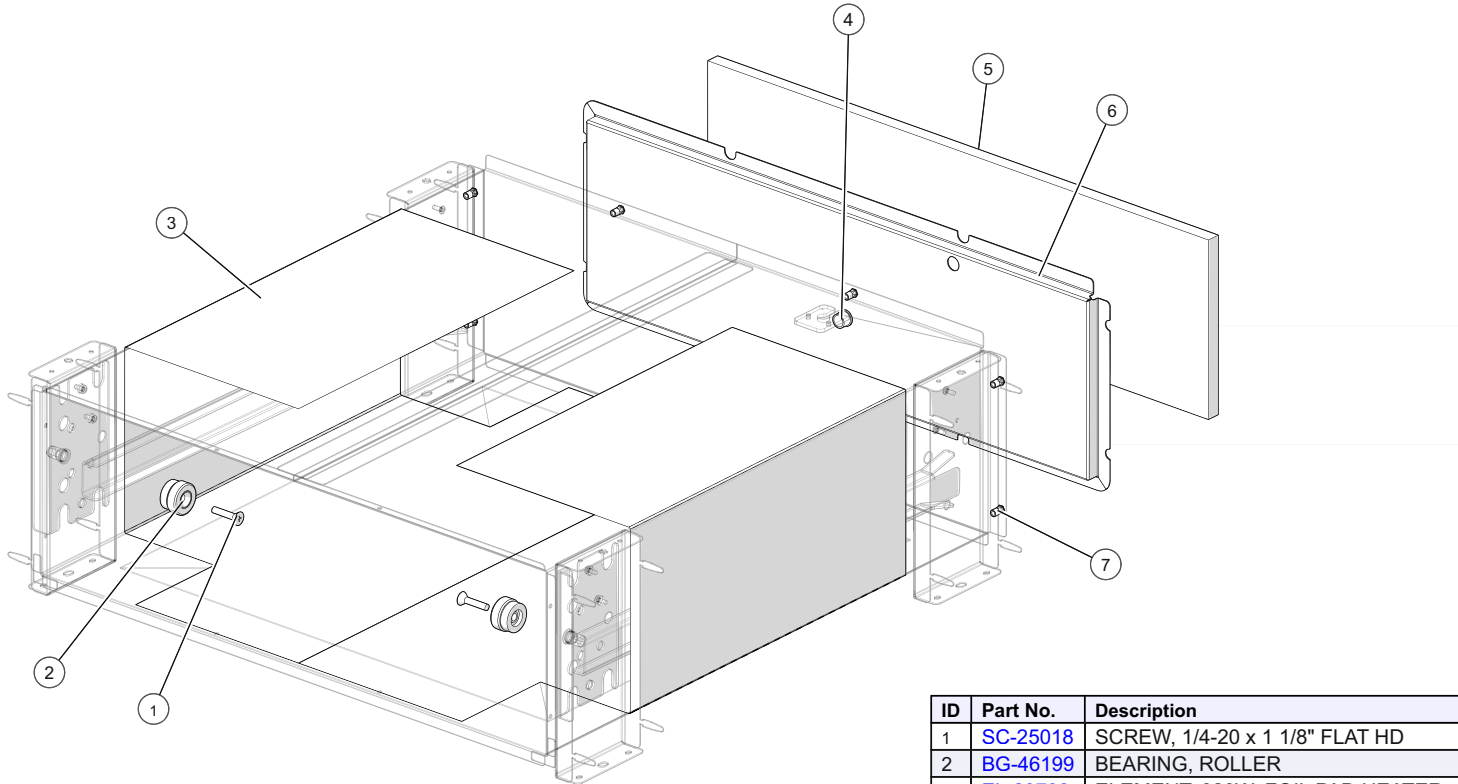
## Cavity Assembly, Heat Pad, 500-2D



ID	Part No.	Description	Qty
1	1043276	INSULATION,CAVITY,500-2D	1
2	EL-29875	ELEMENT, 320W,T-SHAPE	2

5038600\_0

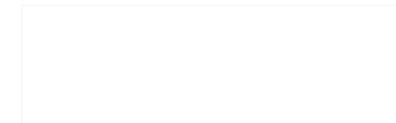
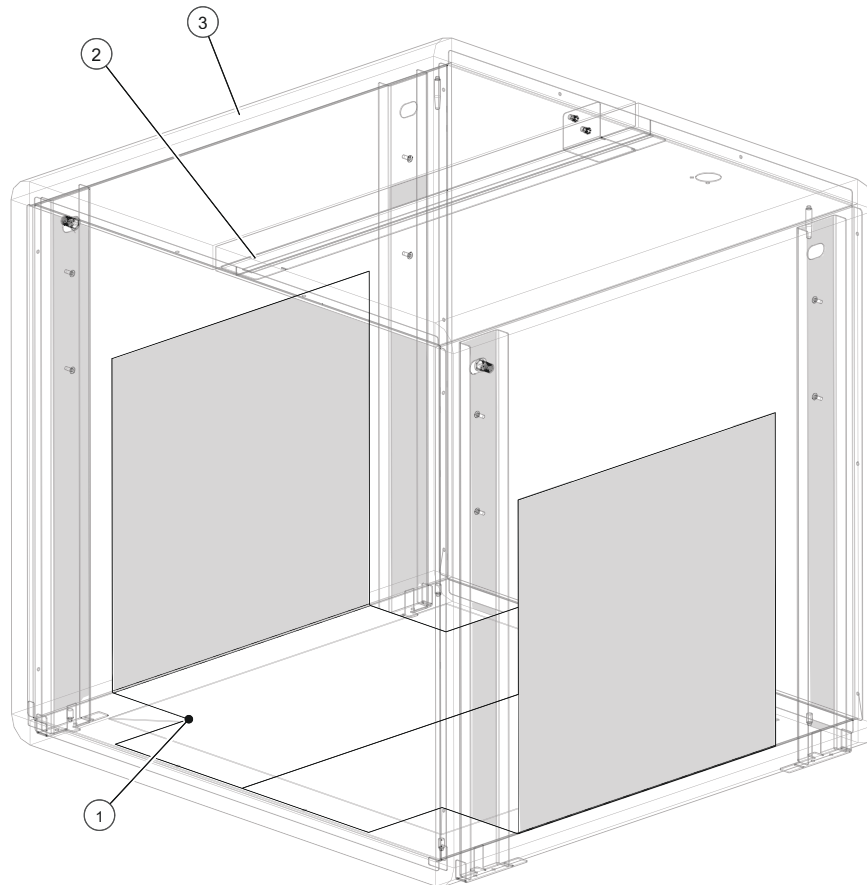
# Cavity Assembly, Heat Pad, 500-2DI



ID	Part No.	Description	Qty
1	<a href="#">SC-25018</a>	SCREW, 1/4-20 x 1 1/8" FLAT HD	2
2	<a href="#">BG-46199</a>	BEARING, ROLLER	2
3	<a href="#">EL-29738</a>	ELEMENT, 320W, FOIL PAD HEATER	2
4	<a href="#">BU-3006</a>	1/2" HOLE BUSHING	1
5	1017529	INSULATION,500-1D,BACK,	1
6	1029429	PANEL, INNER BACK, 500-2DI	1
7	<a href="#">NU-26866</a>	NUT, HEX INSERT M4	8

5038608\_0

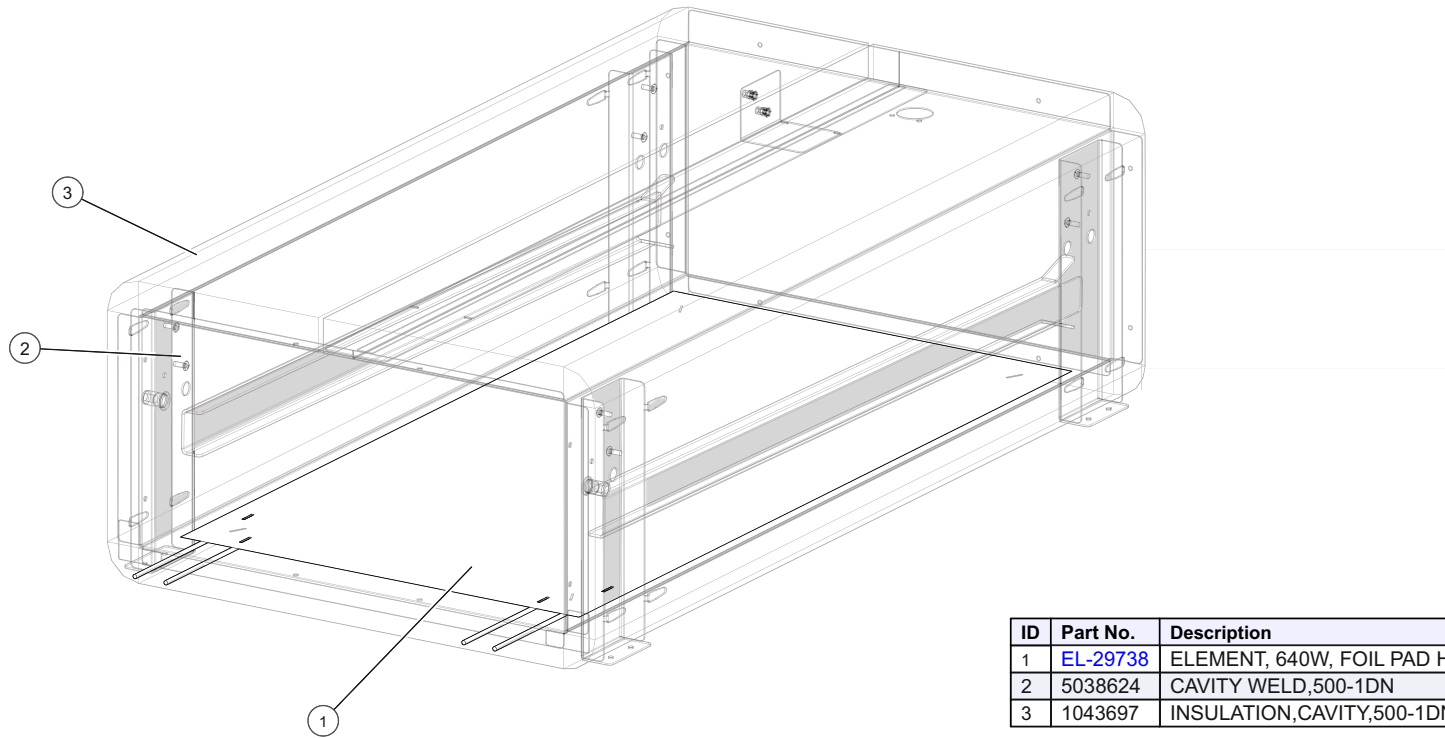
## Cavity Assembly, Heat Pad, 500-3D



ID	Part No.	Description	Qty
1	<a href="#">EL-29875</a>	ELEMENT, 320W,T-SHAPE	2
2	5038619	CAVITY WELD,500-3D	1
3	1043278	INSULATION,CAVITY,500-3D	1

5038620\_0

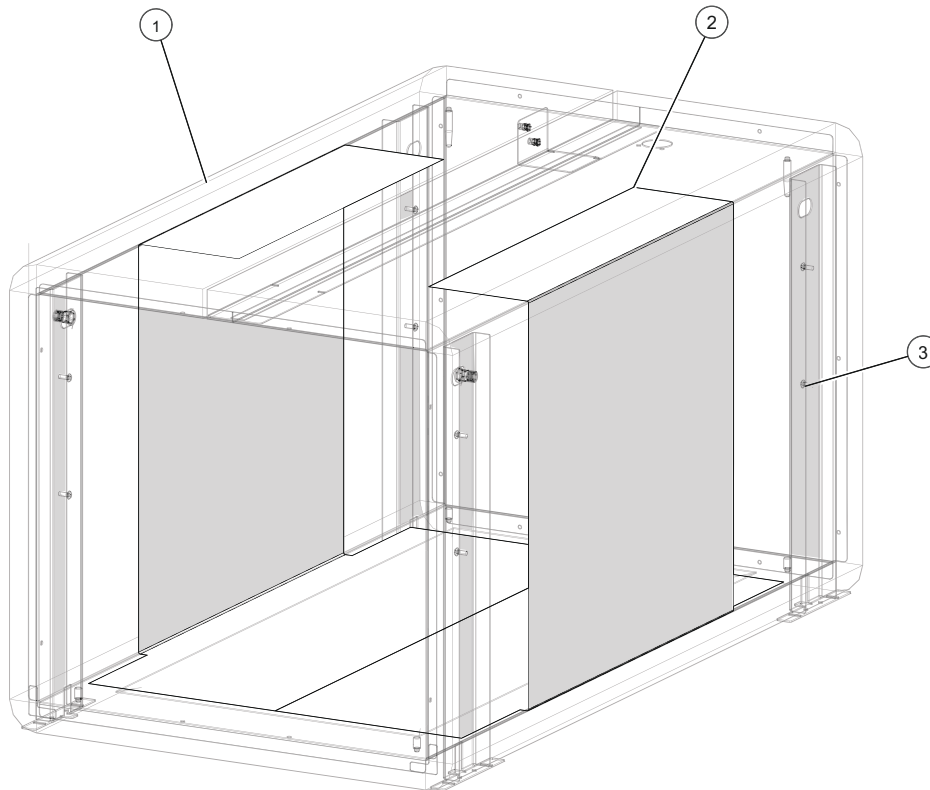
# Cavity Assembly, Heat Pad, 500-1DN



ID	Part No.	Description	Qty
1	<a href="#">EL-29738</a>	ELEMENT, 640W, FOIL PAD HEATER	1
2	5038624	CAVITY WELD,500-1DN	1
3	1043697	INSULATION,CAVITY,500-1DN	1

5038625\_0

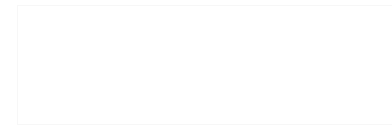
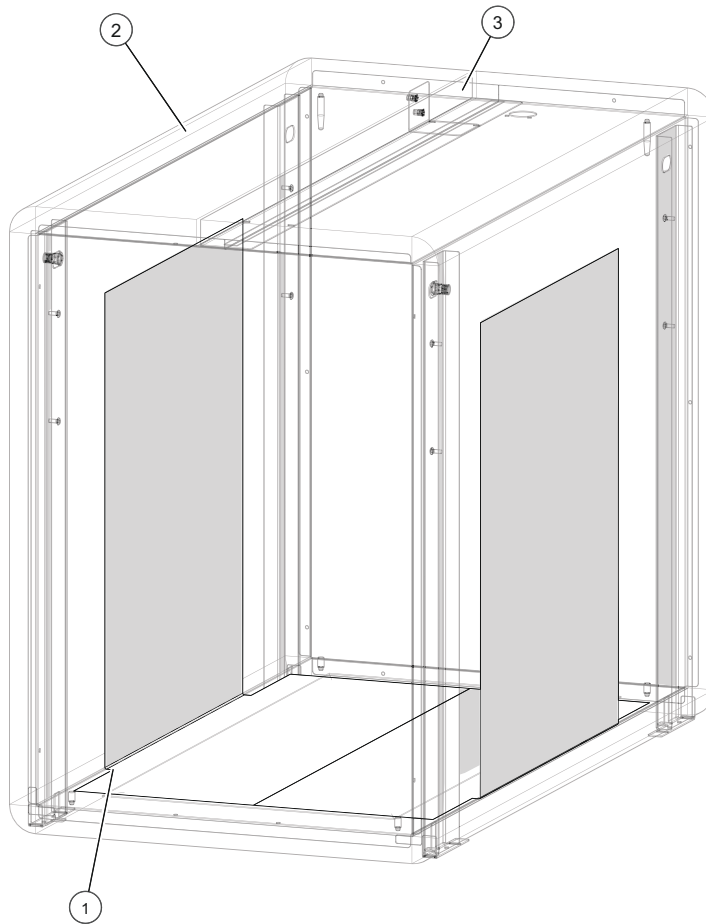
# Cavity Assembly, Heat Pad, 500-2DN



ID	Part No.	Description	Qty
1	1043277	INSULATION,CAVITY,500-2DN	1
2	<a href="#">EL-29875</a>	ELEMENT, 320W,T-SHAPE	2
3	5038635	CAVITY WELD,500-2DN	1

5038636\_0

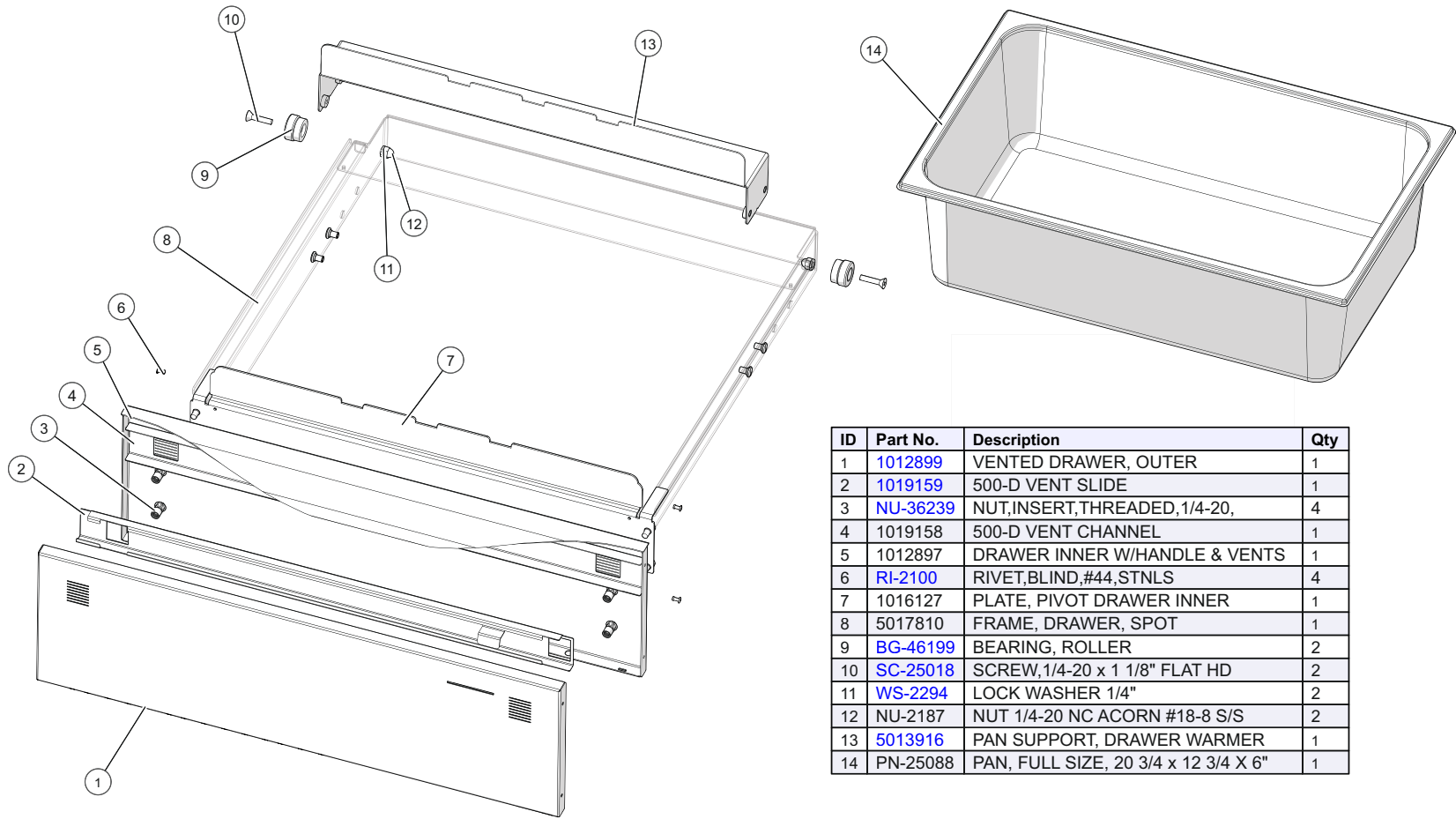
# Cavity Assembly, Heat Pad, 500-3DN



ID	Part No.	Description	Qty
1	<a href="#">EL-29875</a>	ELEMENT, 320W,T-SHAPE	2
2	1043279	INSULATION,CAVITY,500-3DN	1
3	5038641	CAVITY WELD,500-3DN	1

5038642\_0

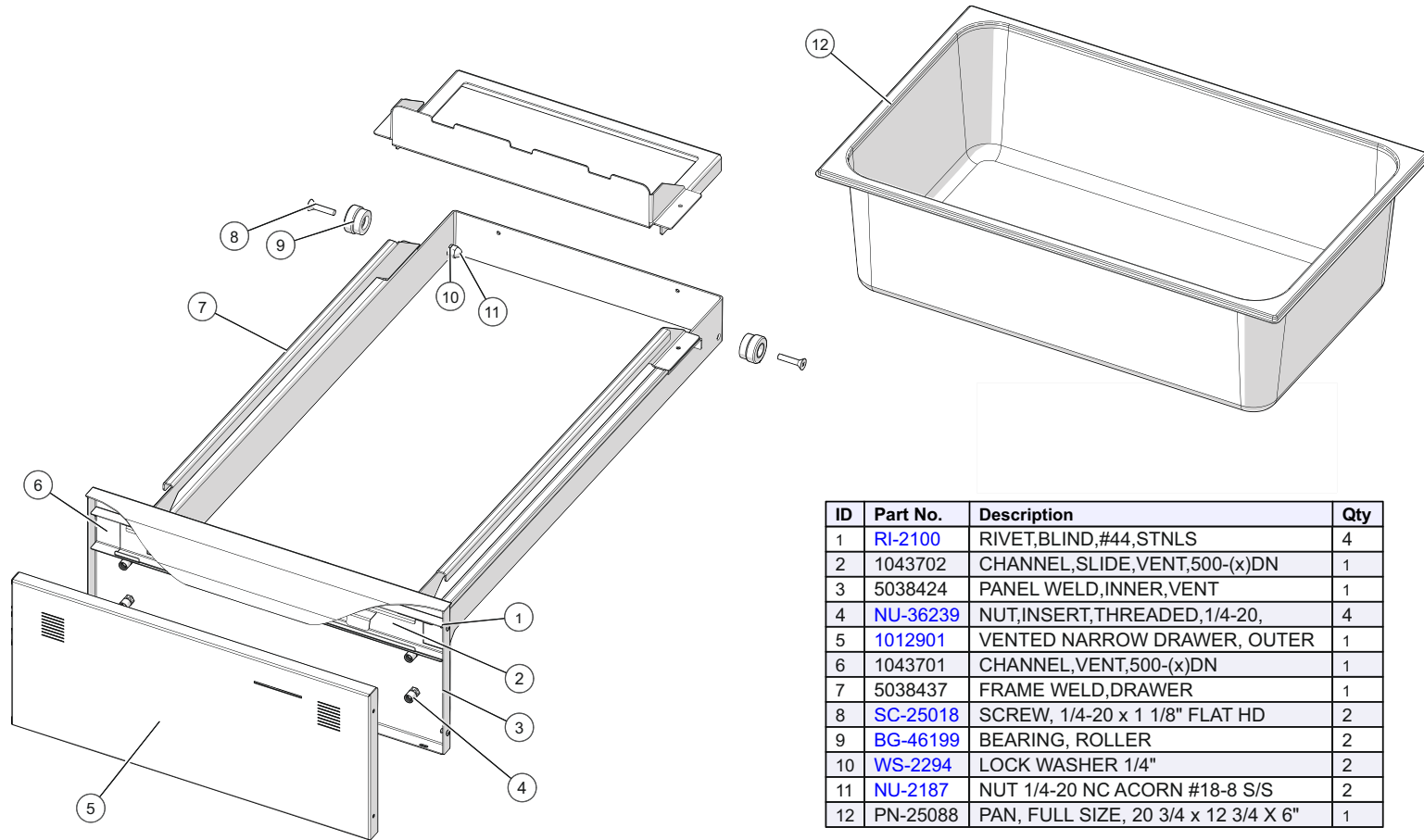
# Drawer Assembly, Standard with Vents, 500-D Series



ID	Part No.	Description	Qty
1	<a href="#">1012899</a>	VENTED DRAWER, OUTER	1
2	<a href="#">1019159</a>	500-D VENT SLIDE	1
3	<a href="#">NU-36239</a>	NUT,INSERT,THREADED,1/4-20,	4
4	1019158	500-D VENT CHANNEL	1
5	1012897	DRAWER INNER W/HANDLE & VENTS	1
6	<a href="#">RI-2100</a>	RIVET,BLIND,#44,STNLS	4
7	1016127	PLATE, PIVOT DRAWER INNER	1
8	5017810	FRAME, DRAWER, SPOT	1
9	<a href="#">BG-46199</a>	BEARING, ROLLER	2
10	<a href="#">SC-25018</a>	SCREW,1/4-20 x 1 1/8" FLAT HD	2
11	<a href="#">WS-2294</a>	LOCK WASHER 1/4"	2
12	NU-2187	NUT 1/4-20 NC ACORN #18-8 S/S	2
13	<a href="#">5013916</a>	PAN SUPPORT, DRAWER WARMER	1
14	PN-25088	PAN, FULL SIZE, 20 3/4 x 12 3/4 X 6"	1

5034225\_0

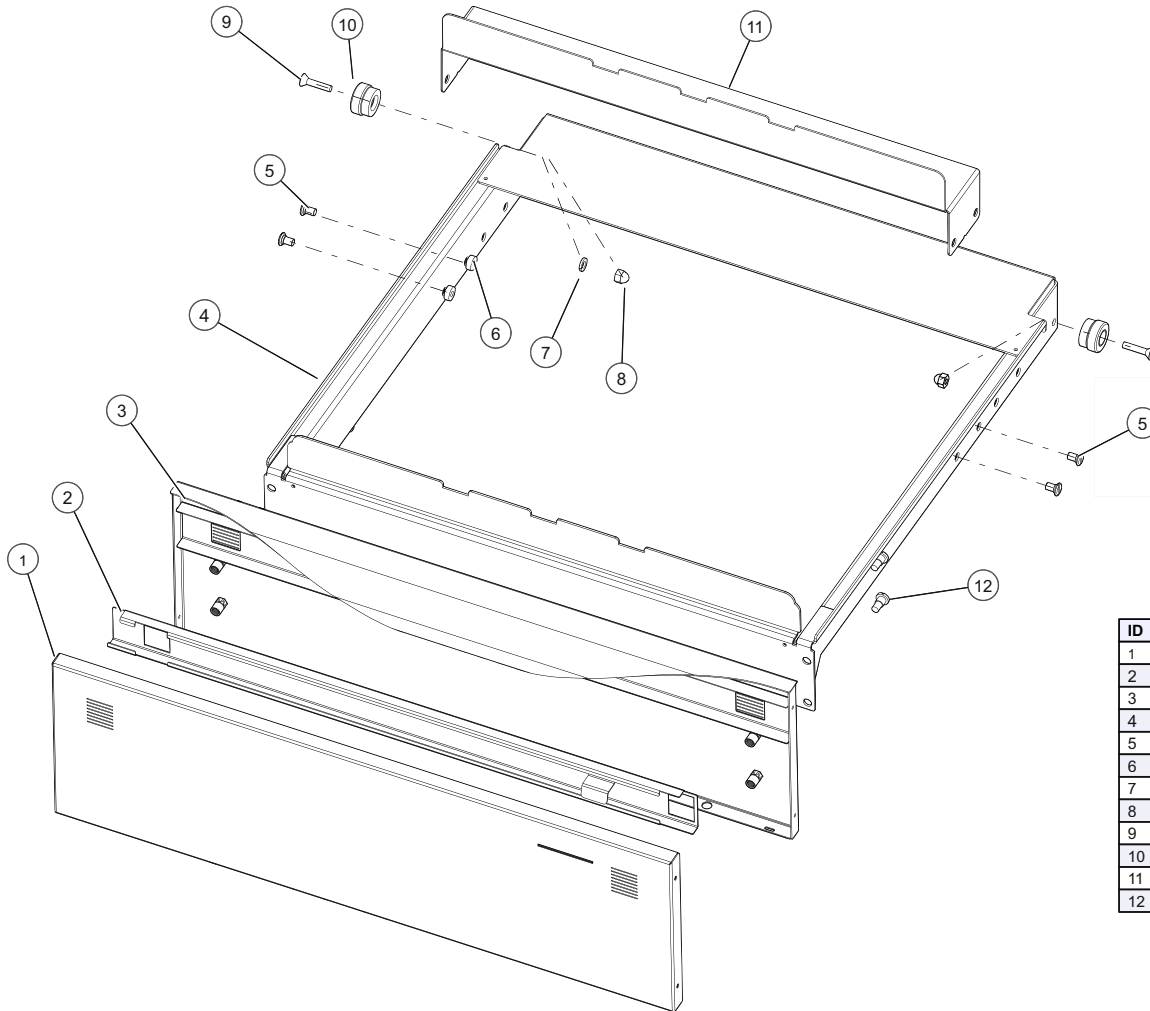
# Drawer Assembly, Standard with Vents, 500-DN Series



ID	Part No.	Description	Qty
1	<a href="#">RI-2100</a>	RIVET,BLIND,#44,STNLS	4
2	1043702	CHANNEL,SLIDE,VENT,500-(x)DN	1
3	5038424	PANEL WELD,INNER,VENT	1
4	<a href="#">NU-36239</a>	NUT,INSERT,THREADED,1/4-20,	4
5	<a href="#">1012901</a>	VENTED NARROW DRAWER, OUTER	1
6	1043701	CHANNEL,VENT,500-(x)DN	1
7	5038437	FRAME WELD,DRAWER	1
8	<a href="#">SC-25018</a>	SCREW, 1/4-20 x 1 1/8" FLAT HD	2
9	<a href="#">BG-46199</a>	BEARING, ROLLER	2
10	<a href="#">WS-2294</a>	LOCK WASHER 1/4"	2
11	<a href="#">NU-2187</a>	NUT 1/4-20 NC ACORN #18-8 S/S	2
12	PN-25088	PAN, FULL SIZE, 20 3/4 x 12 3/4 X 6"	1

5038435\_0

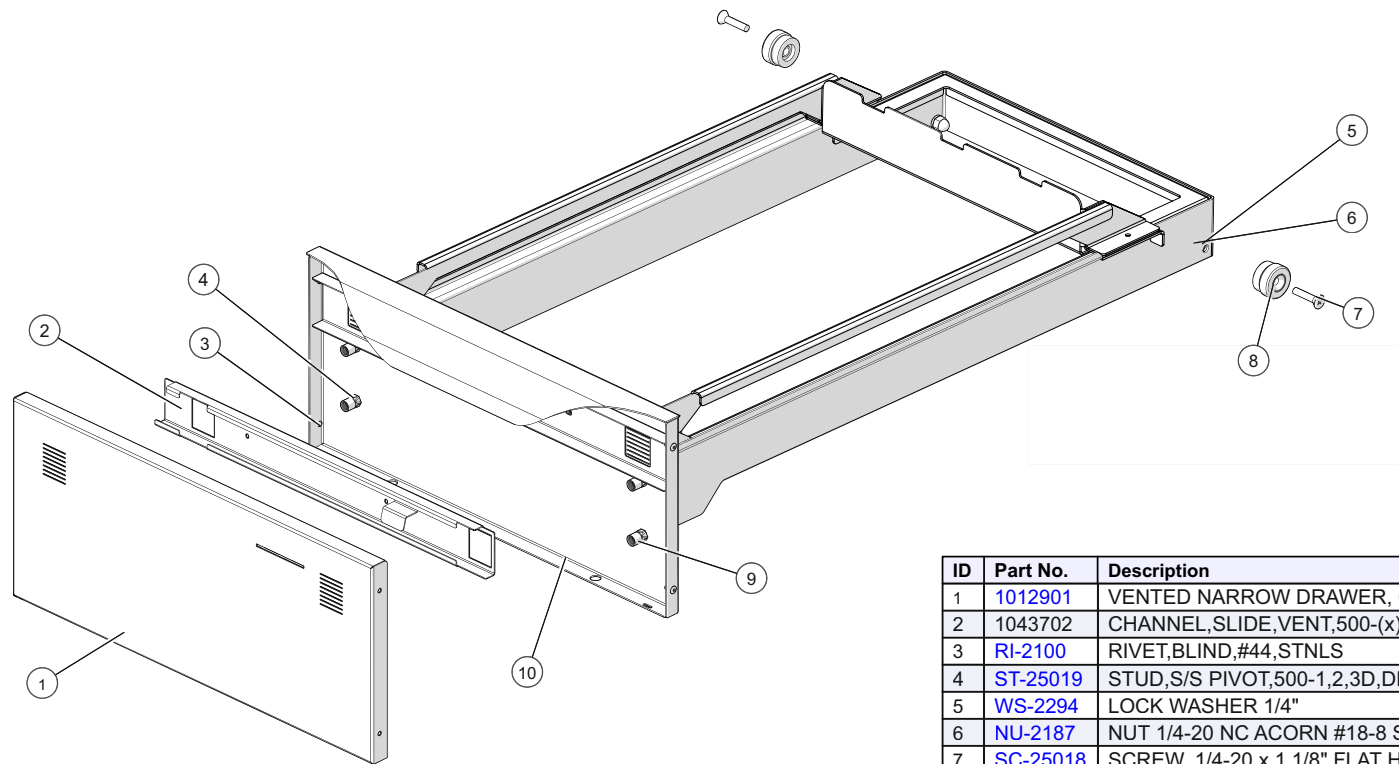
# Drawer Frame Assembly, 500-D Series



ID	Part No.	Description	Qty
1	<a href="#">1012899</a>	VENTED DRAWER, OUTER	1
2	<a href="#">1019159</a>	500-D VENT SLIDE	1
3	<a href="#">5014558</a>	VENTED DRAWER FRONT SPOT	1
4	5017810	FRAME, DRAWER, SPOT	1
5	ST-2546	STUD, SHOULDER, SHORT, S/S	4
6	NU-24891	NUT, WELD, 1/4-20UNC, S.S.	4
7	<a href="#">WS-2294</a>	LOCK WASHER 1/4"	1
8	<a href="#">NU-2187</a>	NUT 1/4-20 NC ACORN #18-8 S/S	1
9	<a href="#">SC-25018</a>	1/4-20 x 1 1/8" FLAT HD S/S	2
10	<a href="#">BG-46199</a>	BEARING, ROLLER	2
11	1012477	DRAWER WARMER, FRAME, PAN SLIDE	1
12	ST-25019	STUD,S/S PIVOT,500-1,2,3D,DN'S	4

5014559\_13

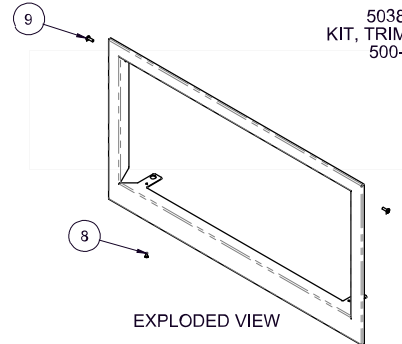
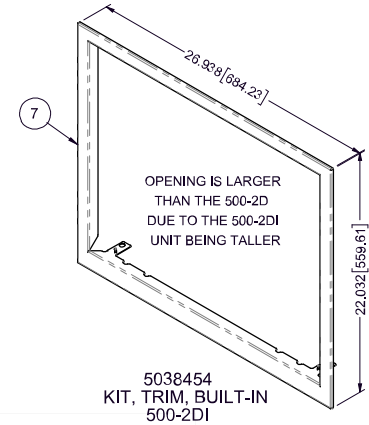
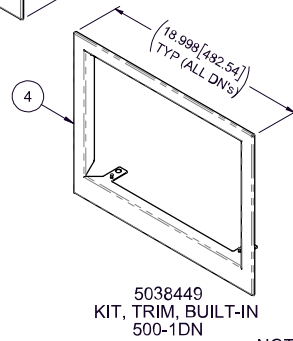
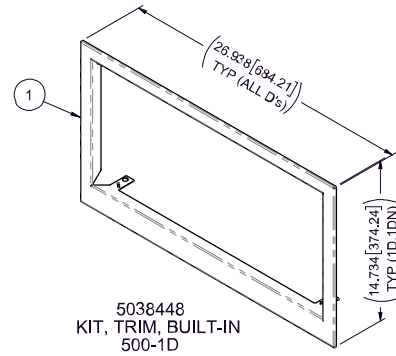
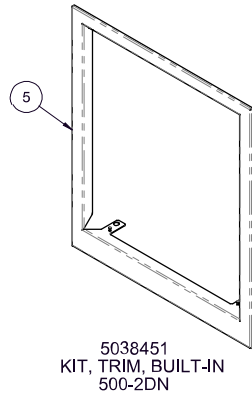
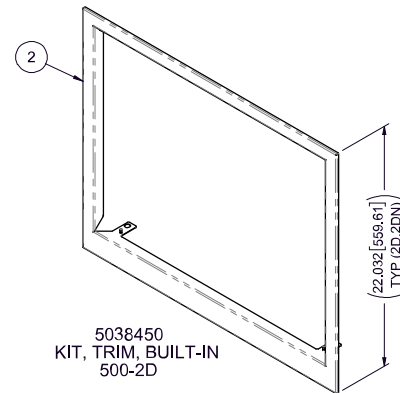
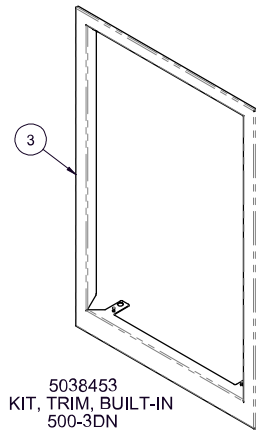
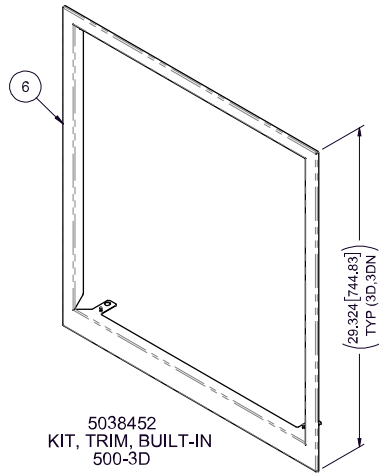
# Drawer Frame Assembly, 500-DN Series



ID	Part No.	Description	Qty
1	<a href="#">1012901</a>	VENTED NARROW DRAWER, OUTER	1
2	1043702	CHANNEL, SLIDE, VENT, 500-(x)DN	1
3	<a href="#">RI-2100</a>	RIVET, BLIND, #44, STNLS	4
4	<a href="#">ST-25019</a>	STUD, S/S PIVOT, 500-1, 2, 3D, DN'S	4
5	<a href="#">WS-2294</a>	LOCK WASHER 1/4"	1
6	<a href="#">NU-2187</a>	NUT 1/4-20 NC ACORN #18-8 S/S	2
7	<a href="#">SC-25018</a>	SCREW, 1/4-20 x 1 1/8" FLAT HD	2
8	<a href="#">BG-46199</a>	BEARING, ROLLER	2
9	<a href="#">NU-36239</a>	NUT, INSERT, THREADED, 1/4-20,	4
10	5038424	PANEL WELD, INNER, VENT	1

5038428\_0

# Trim Kits

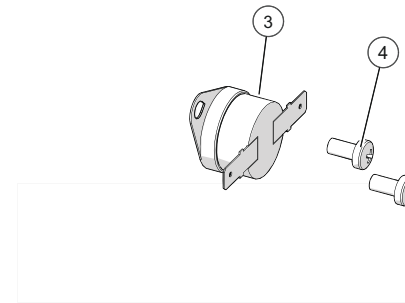
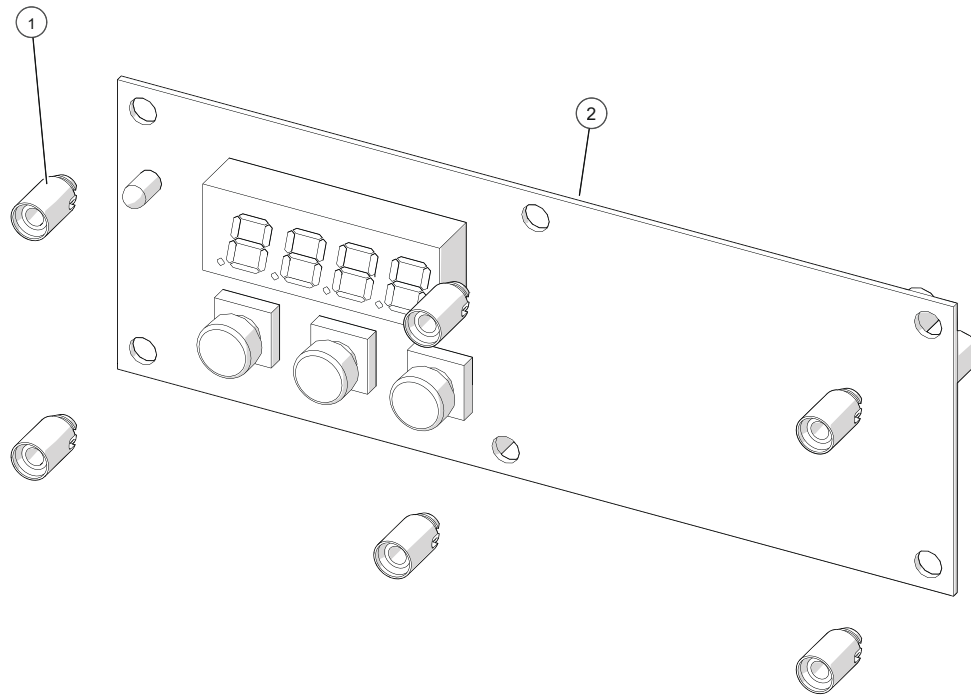


NOTE: \* = NOT SHOWN

ITEM	PART NUMBER	DESCRIPTION	5038448 /QTY.	5038449 /QTY.	5038450 /QTY.	5038451 /QTY.	5038452 /QTY.	5038453 /QTY.	5038454 /QTY.
1	1043728	TRIM, BUILT-IN	1	-	-	-	-	-	-
2	1043729	TRIM, BUILT-IN	-	-	1	-	-	-	-
3	1043733	TRIM, BUILT-IN	-	-	-	-	-	1	-
4	1043731	TRIM, BUILT-IN	-	1	-	-	-	-	-
5	1043732	TRIM, BUILT-IN	-	-	-	1	-	-	-
6	1043730	TRIM, BUILT-IN	-	-	-	-	1	-	-
7	1043734	TRIM, BUILT-IN	-	-	-	-	-	-	1
8	RI-2100	RIVET, BLIND, #44, STNLS	2	2	2	2	2	2	2
9	SC-2425	SCREW, 8-32 X 1/2" TRH	2	2	2	2	2	2	2
* 10	SRV-20111	SERVICE DOC, TRIM KIT, 500D	1	1	1	1	1	1	1

DW TRIM KITS\_0

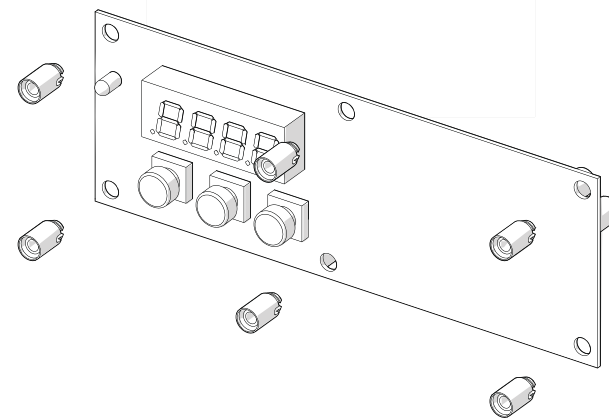
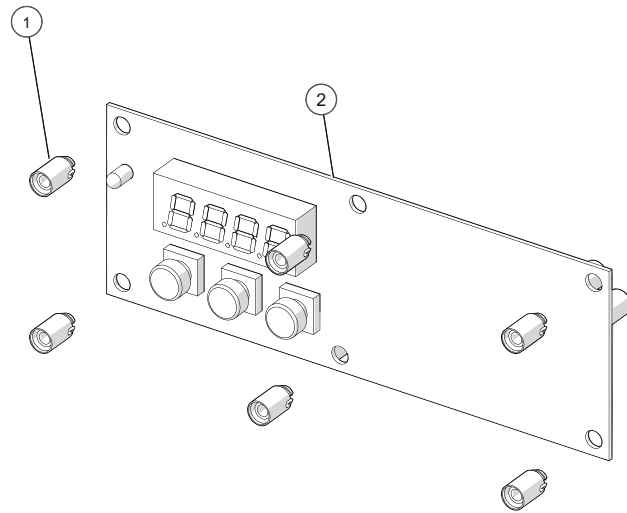
## Control Assembly, Wired, All 500-D and DN Models



ID	Part No.	Description	Qty
1	<a href="#">SP-29392</a>	SPACER, SNAP-IN, 7/16"	6
2	CC-34970	ELAN WARMER CONTROL	1
3	<a href="#">TT-34350</a>	THERMOSTAT, 210F HI-LIMIT	1
4	<a href="#">SC-22266</a>	SCREW, M3x0.5X6MM PAN	2
5	5038771	WIRE ASSEMBLY (not shown)	1

5038583\_0

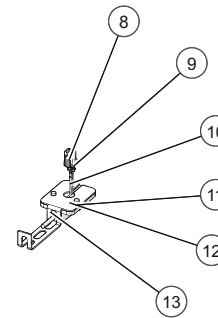
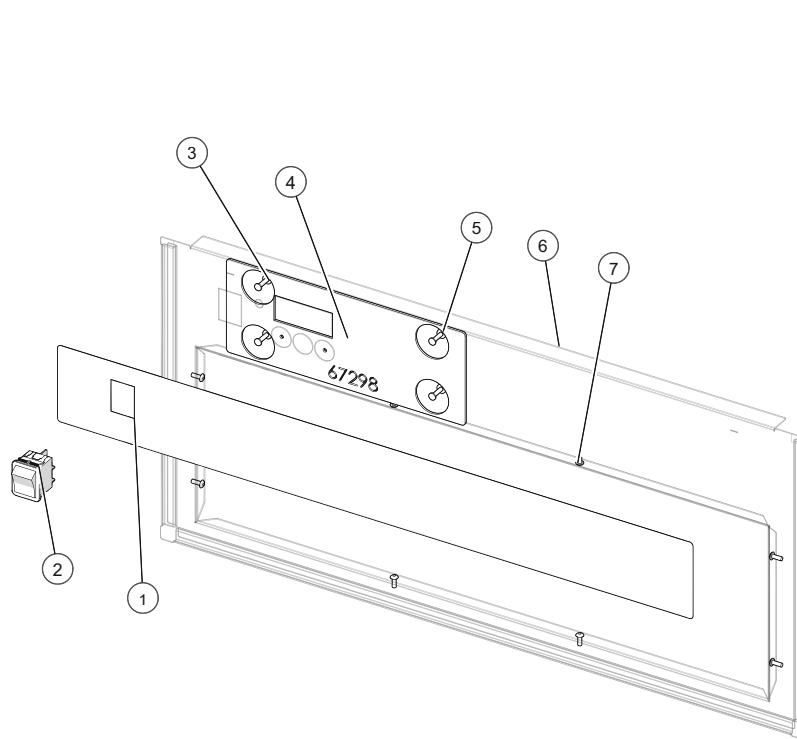
# Control Assembly, Wired, 500-2DI



ID	Part No.	Description	Qty
1	<a href="#">SP-29392</a>	SPACER, SNAP-IN, 7/16"	12
2	<a href="#">CC-34970</a>	ELAN WARMER CONTROL	2
3	5034264	WIRE ASSEMBLY, 500-2DI (not shown)	1
4	5038771	WIRE ASSEMBLY, 500 SERIES, 120V, 208-240V, 230V (not shown)	1

5038607\_0

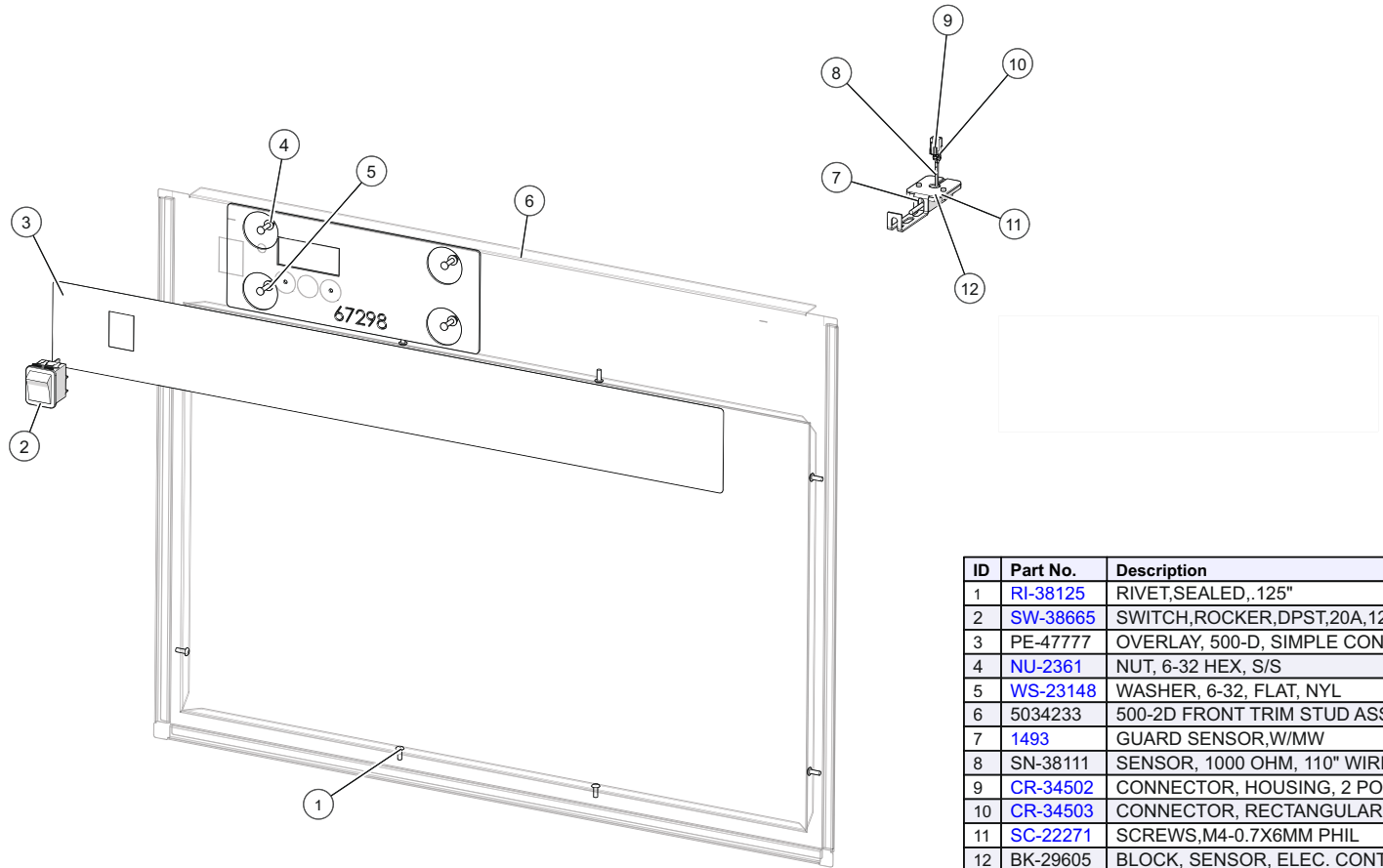
# Control Package, 500-1D



ID	Part No.	Description	Qty
1	PE-47777	OVERLAY, 500-D, SIMPLE CONTROL	1
2	SW-38665	SWITCH,ROCKER,DPST,20A,125V,	1
3	WS-23148	WASHER, 6-32, FLAT, NYL	4
4	5034211	TRIM, FRONT, STUD, ASSEMBLY	1
5	NU-2361	NUT, 6-32 HEX, S/S	4
6	1037522	TRIM, CONTROL, ELAN	1
7	RI-38125	RIVET,SEALED,.125"	8
8	CR-34502	CONNECTOR, HOUSING, 2 PORTS	1
9	CR-34503	CONNECTOR, RECTANGULAR CONTACTS	2
10	SN-38111	SENSOR, 1000 OHM, 110" WIRE	1
11	SC-22271	SCREWS,M4-0.7X6MM PHIL	2
12	BK-29605	BLOCK, SENSOR, ELEC. CONTROL	1
13	1493	GUARD SENSOR,W/MW	1

5038575\_0

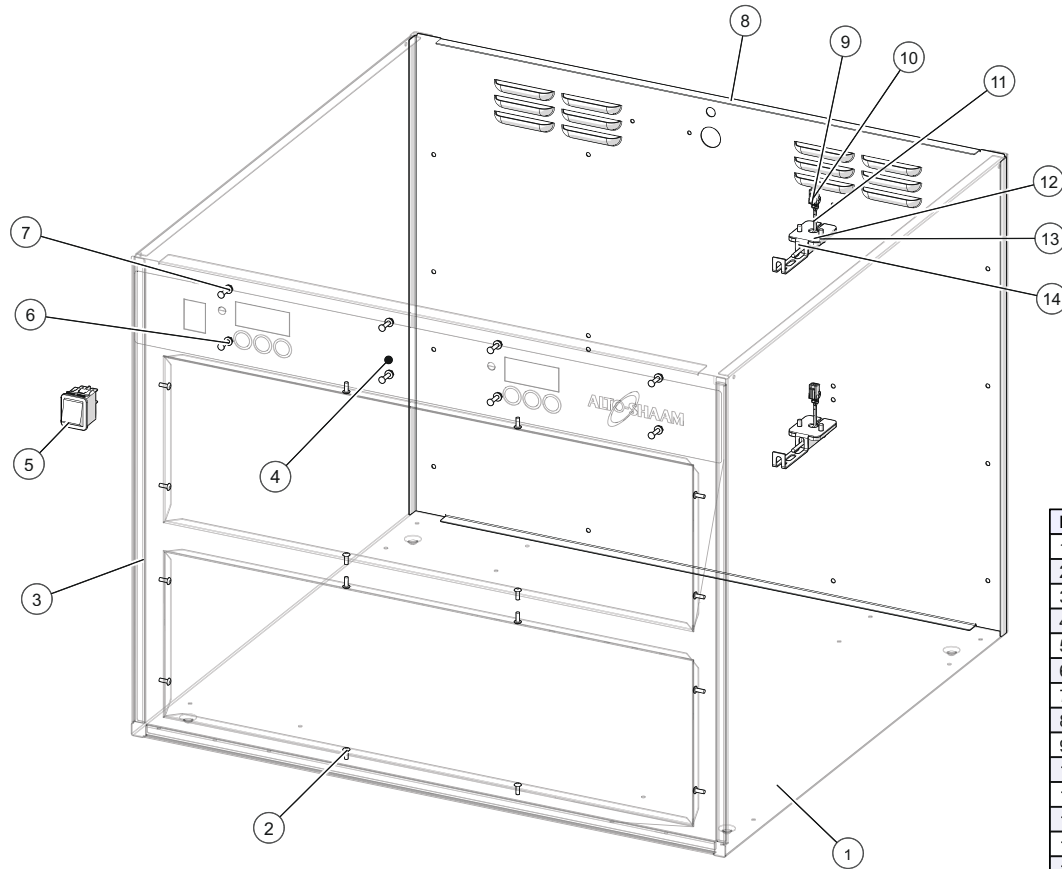
# Control Package, 500-2D



ID	Part No.	Description	Qty
1	<a href="#">RI-38125</a>	RIVET,SEALED, .125"	8
2	<a href="#">SW-38665</a>	SWITCH,ROCKER,DPST,20A,125V,	1
3	<a href="#">PE-47777</a>	OVERLAY, 500-D, SIMPLE CONTROL	1
4	<a href="#">NU-2361</a>	NUT, 6-32 HEX, S/S	4
5	<a href="#">WS-23148</a>	WASHER, 6-32, FLAT, NYL	4
6	5034233	500-2D FRONT TRIM STUD ASSB	1
7	<a href="#">1493</a>	GUARD SENSOR,W/MW	1
8	<a href="#">SN-38111</a>	SENSOR, 1000 OHM, 110" WIRE	1
9	<a href="#">CR-34502</a>	CONNECTOR, HOUSING, 2 PORTS	1
10	<a href="#">CR-34503</a>	CONNECTOR, RECTANGULAR CONTACTS	2
11	<a href="#">SC-22271</a>	SCREWS,M4-0.7X6MM PHIL	2
12	<a href="#">BK-29605</a>	BLOCK, SENSOR, ELEC. CONTROL	1

5038603\_0

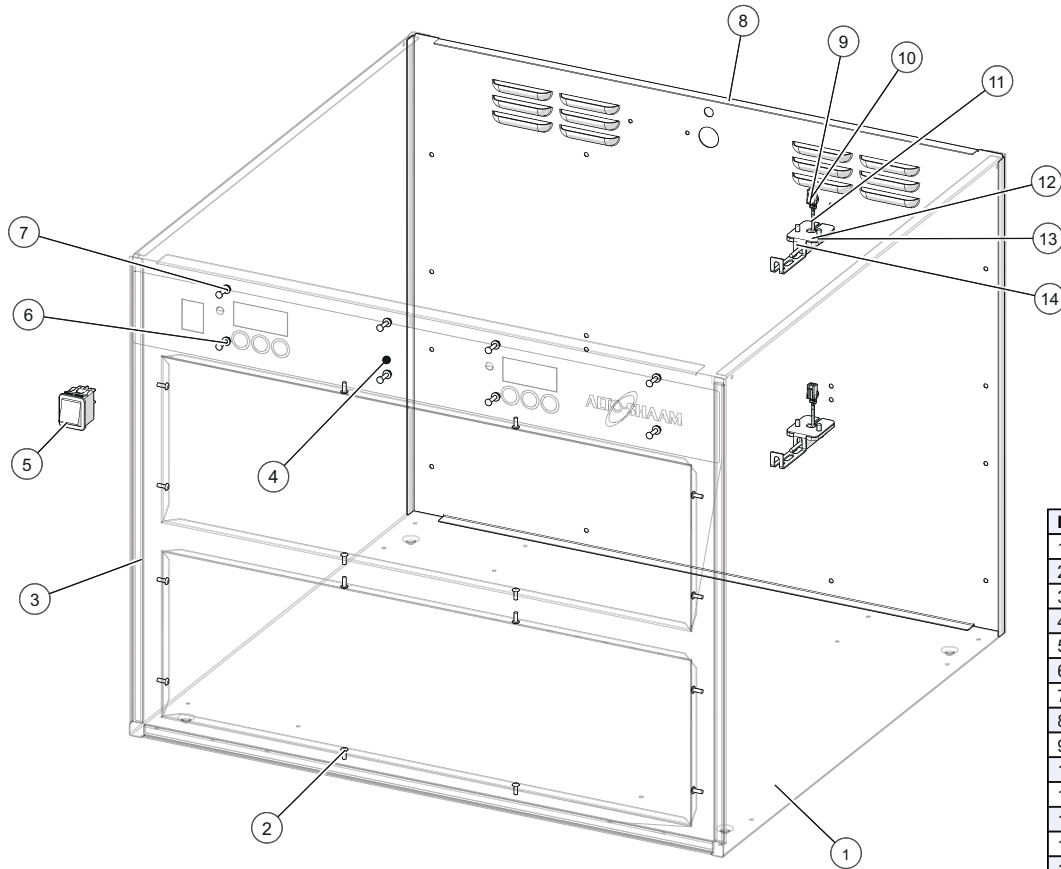
# Control Package, 500-2DI



ID	Part No.	Description	Qty
1	1034366	OUTER CASING	1
2	<a href="#">RI-38125</a>	RIVET,SEALED, .125"	16
3	5034262	TRIM, FRONT, STUD ASSEMBLY	1
4	PE-47779	OVERLAY,500-2DI,SIMPLE CONTROL	1
5	SW-38665	SWITCH,ROCKER,DPST,20A,125V,	1
6	<a href="#">WS-23148</a>	WASHER, 6-32, FLAT, NYL	8
7	<a href="#">NU-2361</a>	NUT, 6-32 HEX, S/S	8
8	1034365	TRIM, REAR	1
9	CR-34503	CONNECTOR, RECTANGULAR CONTACTS	2
10	<a href="#">CR-34502</a>	CONNECTOR, HOUSING, 2 PORTS	2
11	<a href="#">SN-38111</a>	SENSOR, 1000 OHM, 110" WIRE,	2
12	BK-29605	BLOCK, SENSOR, ELEC. CONTROL	2
13	<a href="#">SC-22273</a>	SCREW,M4x0.7X10MM PAN	4
14	<a href="#">1493</a>	GUARD SENSOR,W/MW	2

5038606\_0

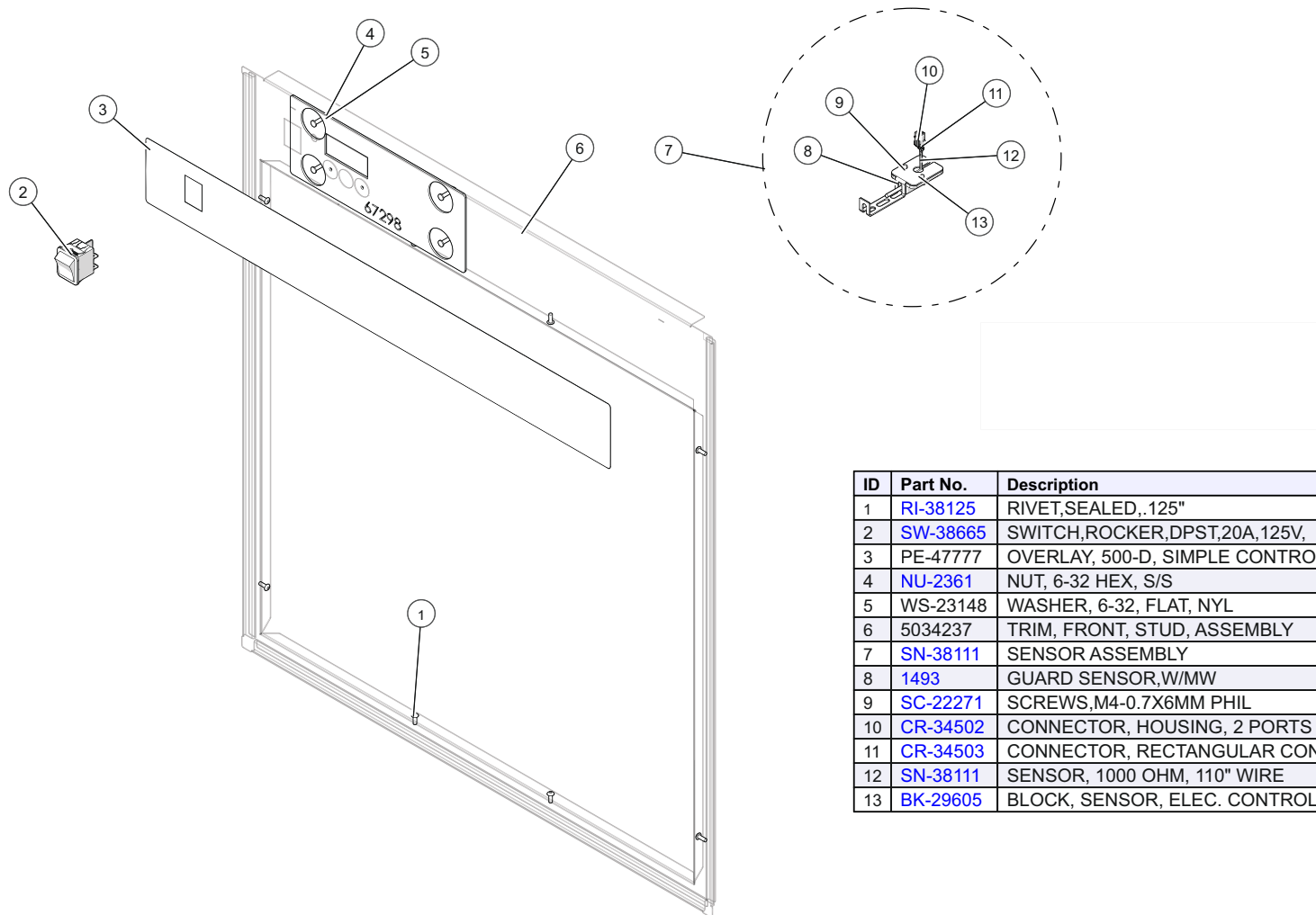
# Control Package, 500-2DI



ID	Part No.	Description	Qty
1	1034366	OUTER CASING	1
2	<a href="#">RI-38125</a>	RIVET,SEALED, .125"	16
3	5034262	TRIM, FRONT, STUD ASSEMBLY	1
4	PE-47779	OVERLAY,500-2DI,SIMPLE CONTROL	1
5	<a href="#">SW-38665</a>	SWITCH,ROCKER,DPST,20A,125V,	1
6	<a href="#">WS-23148</a>	WASHER, 6-32, FLAT, NYL	8
7	<a href="#">NU-2361</a>	NUT, 6-32 HEX, S/S	8
8	1034365	TRIM, REAR	1
9	<a href="#">CR-34503</a>	CONNECTOR, RECTANGULAR CONTACTS	2
10	<a href="#">CR-34502</a>	CONNECTOR, HOUSING, 2 PORTS	2
11	<a href="#">SN-38111</a>	SENSOR, 1000 OHM, 110" WIRE,	2
12	BK-29605	BLOCK, SENSOR, ELEC. CONTROL	2
13	<a href="#">SC-22273</a>	SCREW,M4x0.7X10MM PAN	4
14	<a href="#">1493</a>	GUARD SENSOR,W/MW	2

5038606\_0

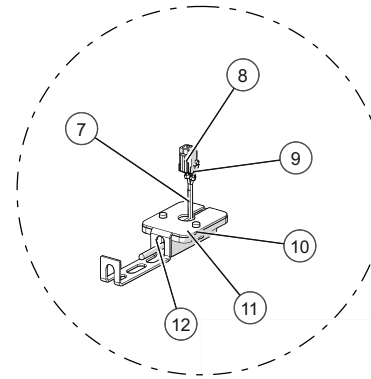
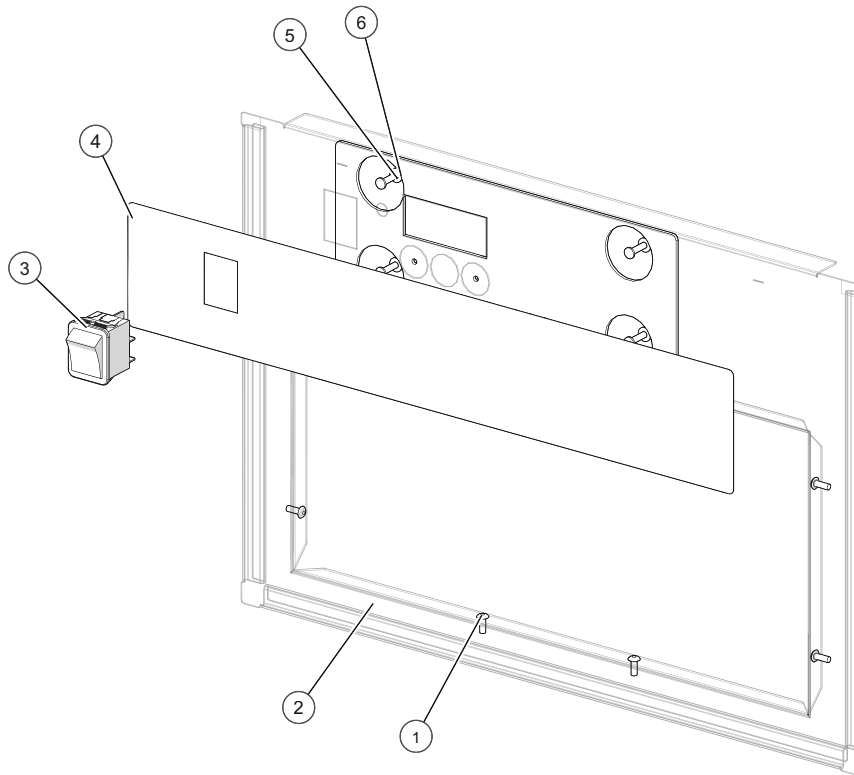
# Control Package, 500-3D



ID	Part No.	Description	Qty
1	<a href="#">RI-38125</a>	RIVET,SEALED,.125"	8
2	<a href="#">SW-38665</a>	SWITCH,ROCKER,DPST,20A,125V,	1
3	<a href="#">PE-47777</a>	OVERLAY, 500-D, SIMPLE CONTROL	1
4	<a href="#">NU-2361</a>	NUT, 6-32 HEX, S/S	4
5	<a href="#">WS-23148</a>	WASHER, 6-32, FLAT, NYL	4
6	5034237	TRIM, FRONT, STUD, ASSEMBLY	1
7	<a href="#">SN-38111</a>	SENSOR ASSEMBLY	1
8	<a href="#">1493</a>	GUARD SENSOR,W/MW	1
9	<a href="#">SC-22271</a>	SCREWS,M4-0.7X6MM PHIL	2
10	<a href="#">CR-34502</a>	CONNECTOR, HOUSING, 2 PORTS	1
11	<a href="#">CR-34503</a>	CONNECTOR, RECTANGULAR CONTACTS	2
12	<a href="#">SN-38111</a>	SENSOR, 1000 OHM, 110" WIRE	1
13	<a href="#">BK-29605</a>	BLOCK, SENSOR, ELEC. CONTROL	1

5038618\_0

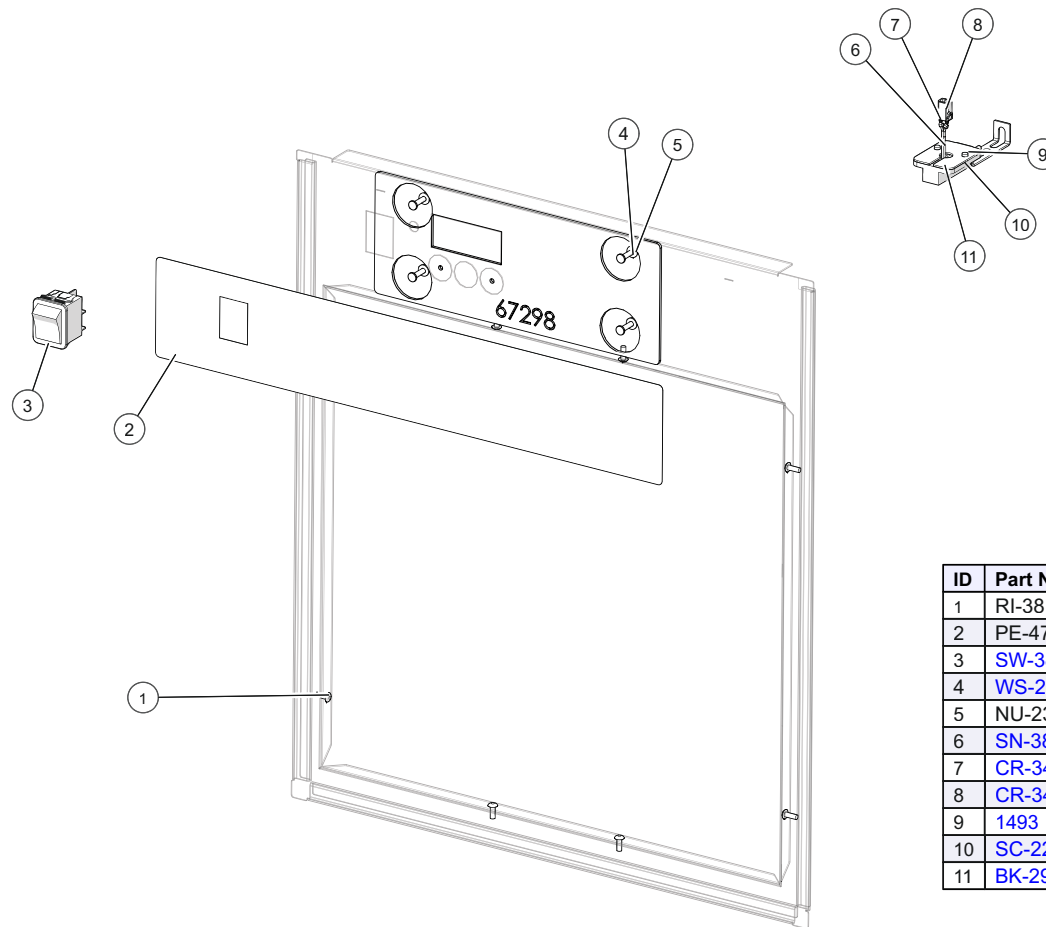
# Control Package, 500-1DN



ID	Part No.	Description	Qty
1	<a href="#">RI-38125</a>	RIVET,SEALED,.125"	8
2	5034231	500-1DN FRONT TRIM STUD ASSB	1
3	SW-38665	SWITCH,ROCKER,DPST,20A,125V,	1
4	PE-47778	OVERLAY,500-DN, SIMPLE CONTROL	1
5	<a href="#">WS-23148</a>	WASHER, 6-32, FLAT, NYL	4
6	<a href="#">NU-2361</a>	NUT, 6-32 HEX, S/S	4
7	<a href="#">SN-38111</a>	SENSOR, 1000 OHM, 110" WIRE	1
8	<a href="#">CR-34502</a>	CONNECTOR, HOUSING, 2 PORTS	1
9	<a href="#">CR-34503</a>	CONNECTOR, RECTANGULAR CONTACTS	2
10	<a href="#">SC-22271</a>	SCREWS,M4-0.7X6MM PHIL	2
11	<a href="#">BK-29605</a>	BLOCK, SENSOR, ELEC. CONTROL	1
12	<a href="#">1493</a>	GUARD SENSOR,W/MW	1

5038627\_0

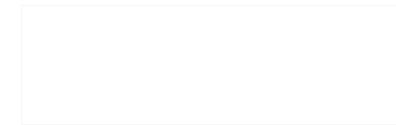
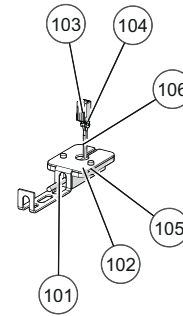
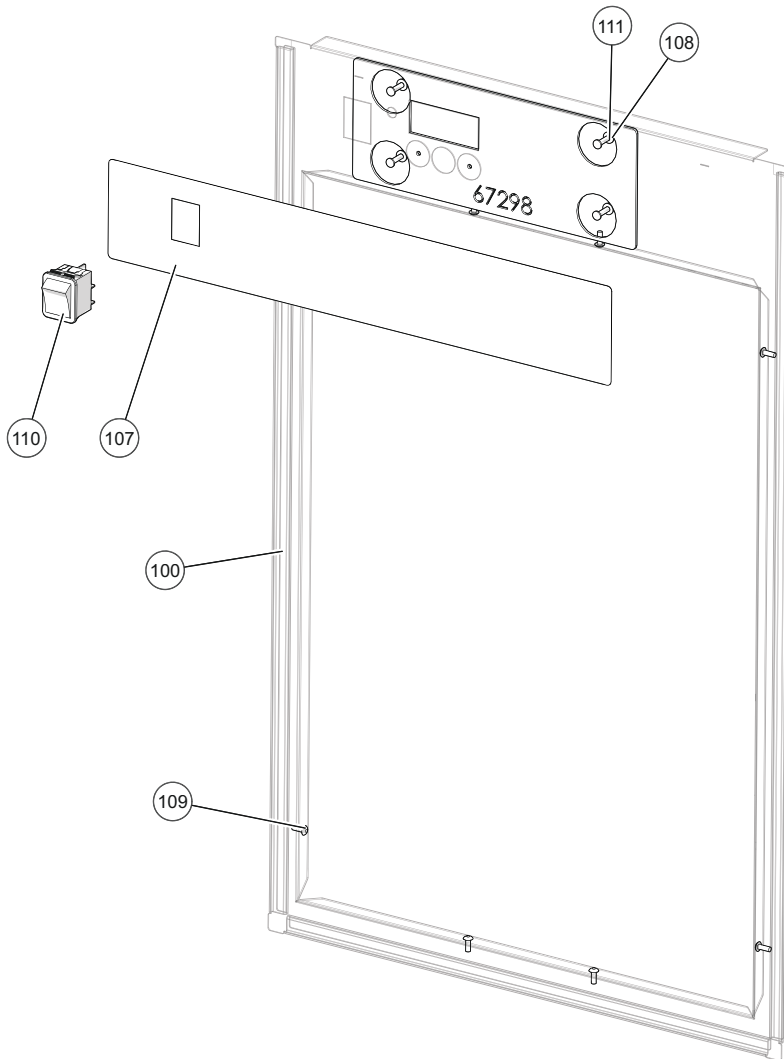
# Control Package, 500-2DN



ID	Part No.	Description	Qty
1	RI-38125	RIVET,SEALED,.125"	8
2	PE-47778	OVERLAY,500-DN, SIMPLE CONTROL	1
3	SW-38665	SWITCH,ROCKER,DPST,20A,125V,	1
4	WS-23148	WASHER, 6-32, FLAT, NYL	4
5	NU-2361	NUT, 6-32 HEX, S/S	4
6	SN-38111	SENSOR, 1000 OHM, 110" WIRE	1
7	CR-34503	CONNECTOR, RECTANGULAR CONTACTS	2
8	CR-34502	CONNECTOR, HOUSING, 2 PORTS	1
9	1493	GUARD SENSOR,W/MW	1
10	SC-22271	SCREWS,M4-0.7X6MM PHIL	2
11	BK-29605	BLOCK, SENSOR, ELEC. CONTROL	1

5038633\_0

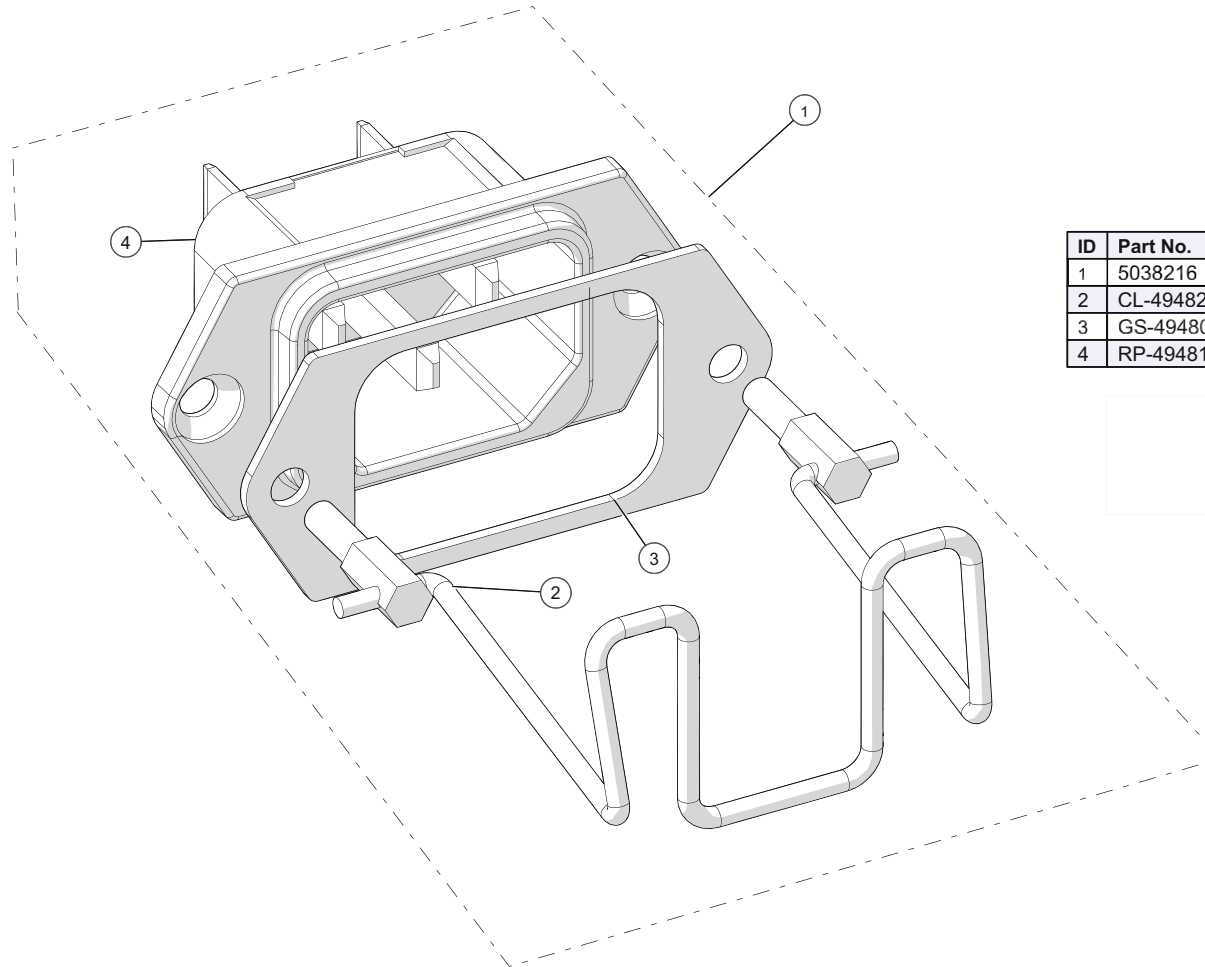
# Control Package, 500-3DN



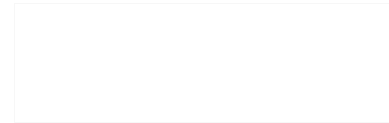
ID	Part No.	Description	Qty
100	5034239	500-3D FRONT TRIM STUD ASSB	1
101	1493	GUARD SENSOR,W/MW	1
102	BK-29605	BLOCK, SENSOR, ELEC. CONTROL	1
103	CR-34502	CONNECTOR, HOUSING, 2 PORTS	1
104	CR-34503	CONNECTOR, RECTANGULAR CONTACTS	2
105	SC-22271	SCREWS,M4-0.7X6MM PHIL	2
106	SN-38111	SENSOR, 1000 OHM, 110" WIRE	1
107	PE-47778	OVERLAY,500-DN, SIMPLE CONTROL	1
108	NU-2361	NUT, 6-32 HEX, S/S	4
109	RI-38125	RIVET,SEALED,.125"	8
110	SW-38665	SWITCH,ROCKER,DPST,20A,125V,	1
111	WS-23148	WASHER, 6-32, FLAT, NYL	4

5038639\_0

# Receptacle Assembly, C14

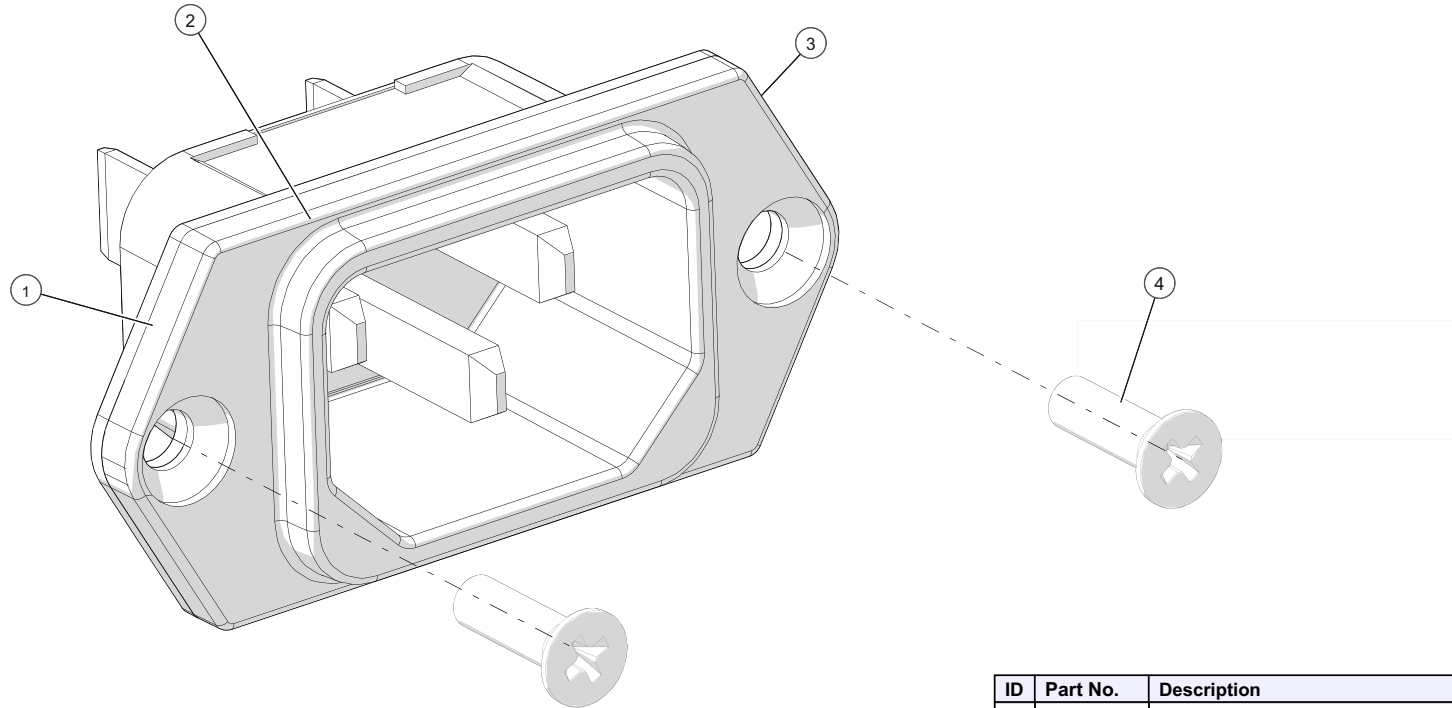


ID	Part No.	Description	Qty
1	5038216	RECEPTACLE ASSY,C14,SEAL,	1
2	CL-49482	CLIP,RETAINING,CORD	1
3	GS-49480	GASKET,RECEPTACLE,C14	1
4	RP-49481	RECEPTACLE,C14,SCREW ON	1



5038216\_0

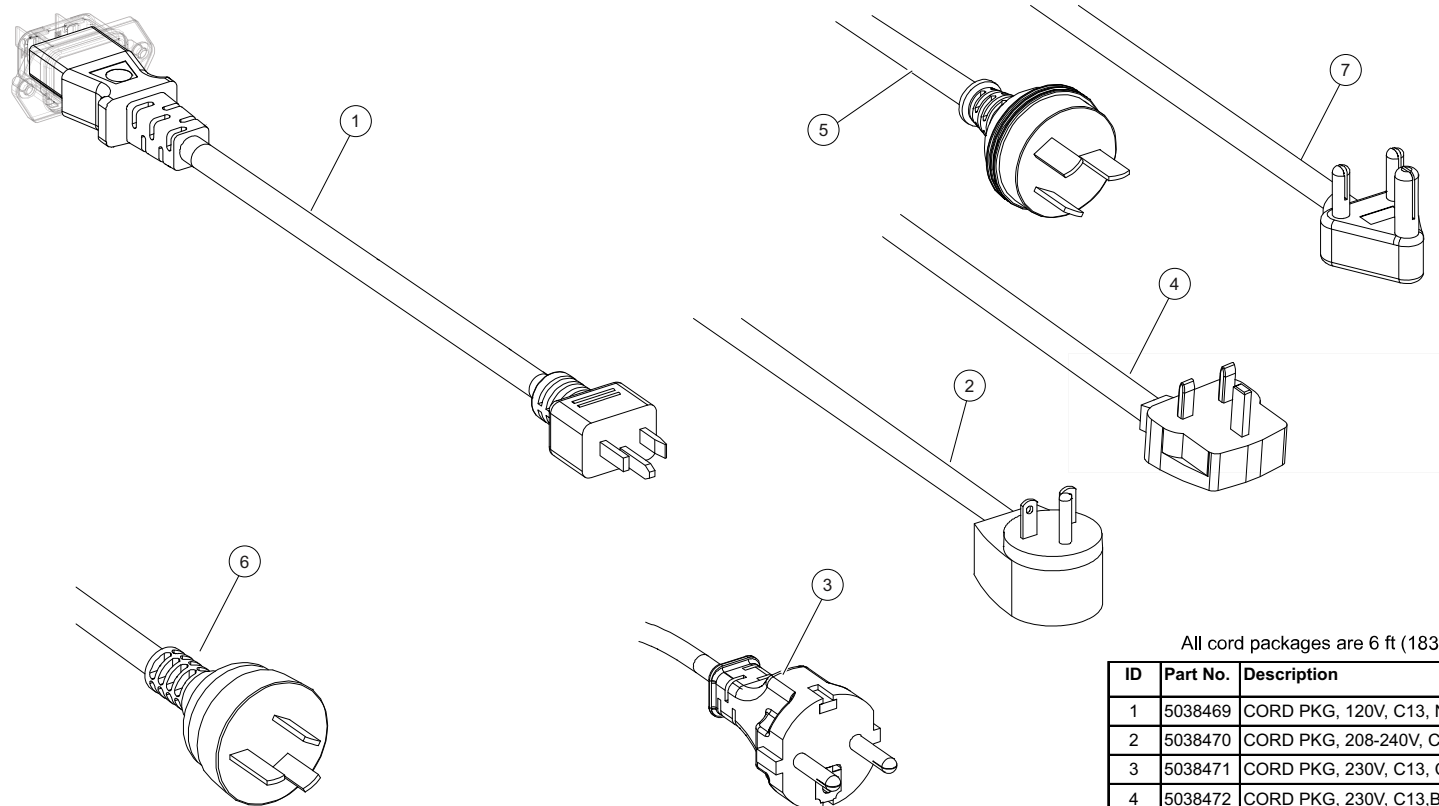
## Receptacle Assembly, C14 Seal



ID	Part No.	Description	Qty
1	RP-49481	RECEPTACLE,C14,SCREW ON	1
2	GS-49480	GASKET,RECEPTACLE,C14	1
3	5038217	RECEPTACLE,C14-SEAL,IP54	1
4	<a href="#">SC-23102</a>	SCREW,M3x0.5X10MM FLAT	2

5038416\_0

# Cord Assemblies

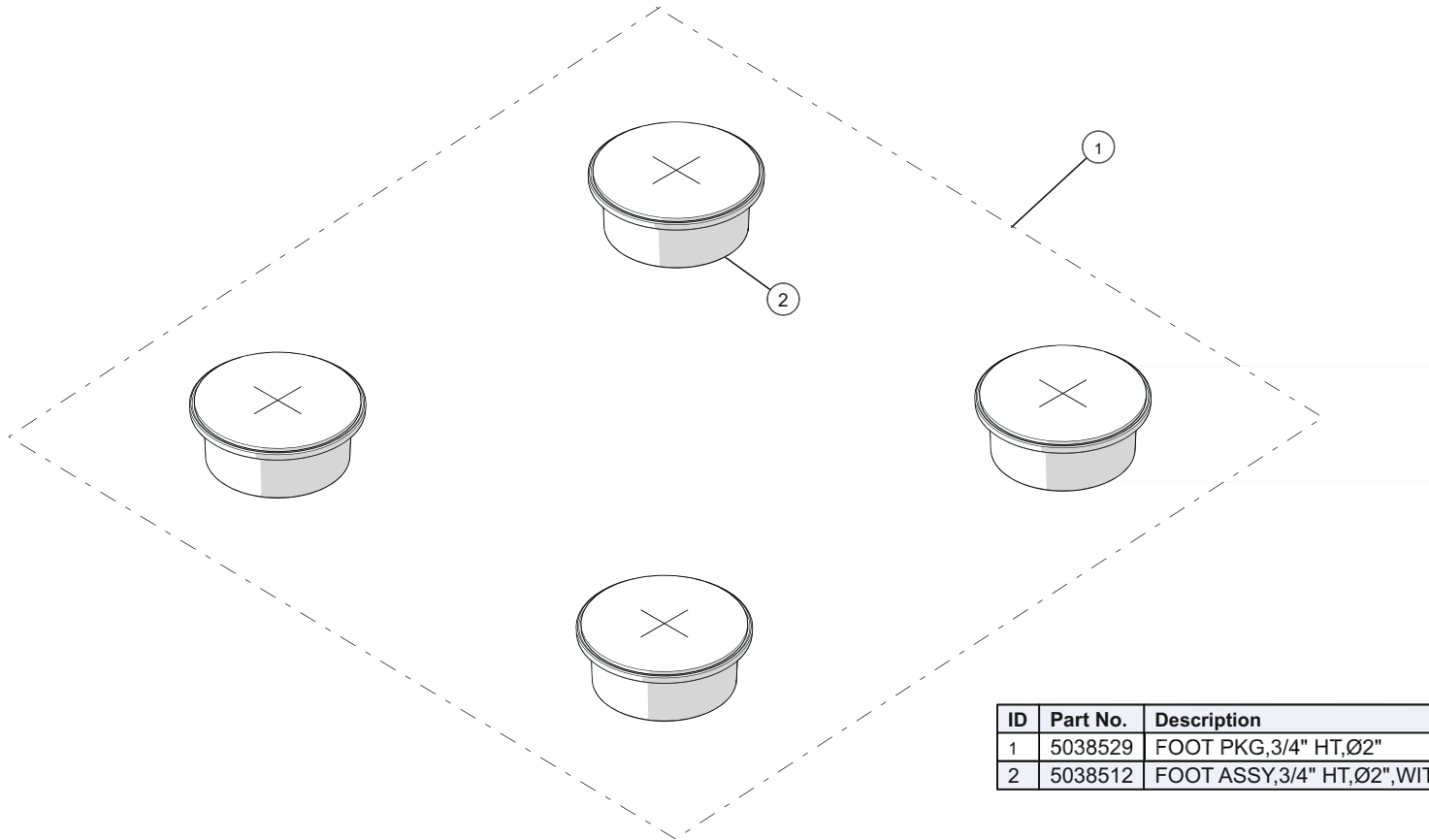


All cord packages are 6 ft (183cm) long

ID	Part No.	Description
1	5038469	CORD PKG, 120V, C13, NEMA 5-15P
2	5038470	CORD PKG, 208-240V, C13, NEMA 6-15P
3	5038471	CORD PKG, 230V, C13, CEEE, 7/7
4	5038472	CORD PKG, 230V, C13, BS-1363
5	5038473	CORD PKG, 230V, C13, CH2-16P
6	5038474	CORD PKG, 230V, AS/NZS 3112-2000
7	5038475	CORD PKG, 230V, C13, TYPE M IN1-16P

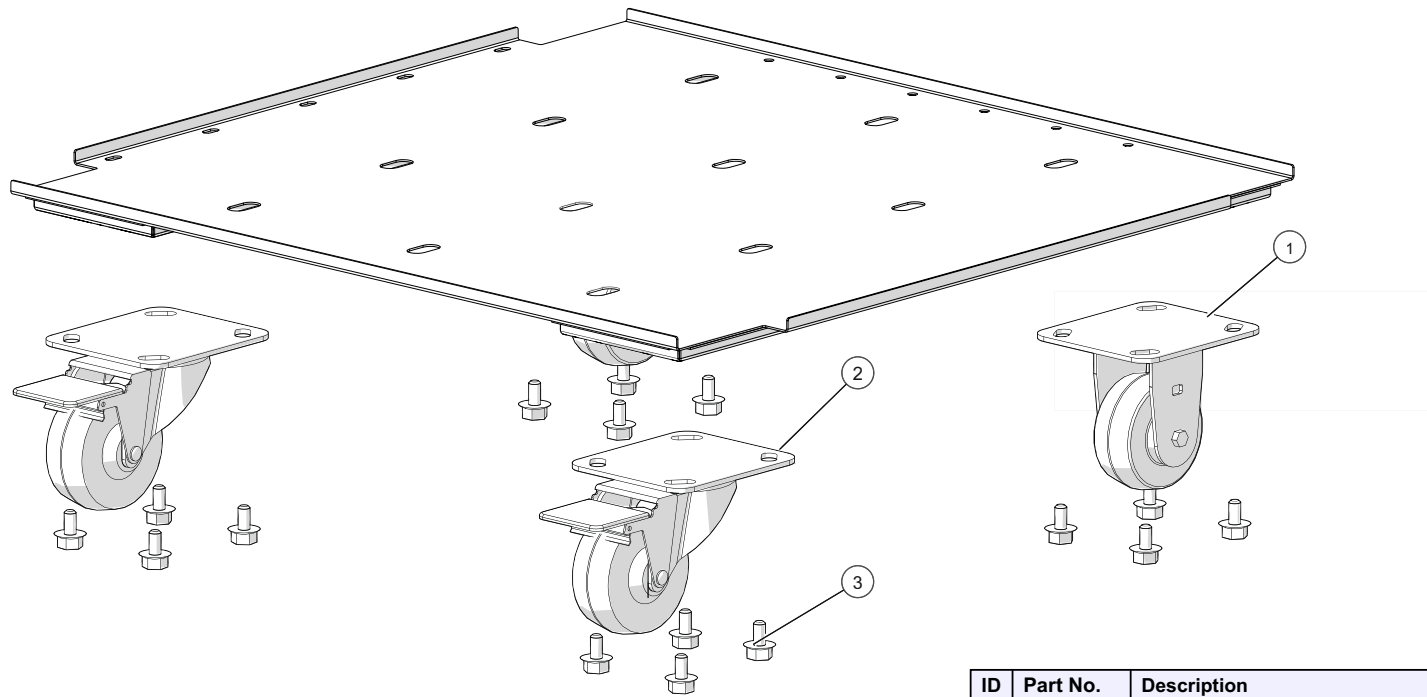
Power Cord Drawings\_0

# Foot Package



ID	Part No.	Description	Qty
1	5038529	FOOT PKG,3/4" HT,Ø2"	1
2	5038512	FOOT ASSY,3/4" HT,Ø2",WITH TAP	4

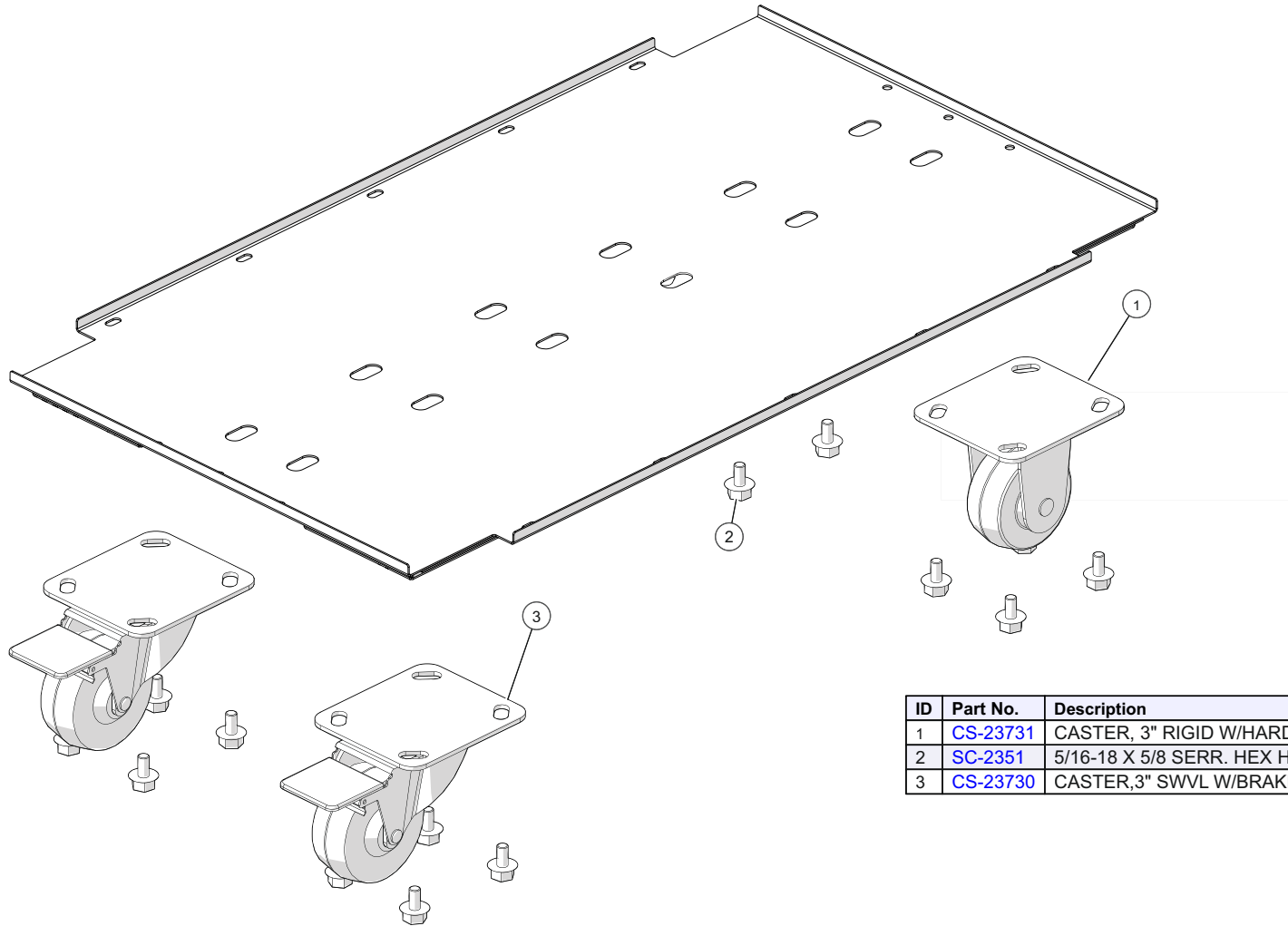
# Caster Stand, 500-D, 3 inch



ID	Part No.	Description	Qty
1	<a href="#">CS-23731</a>	CASTER, 3" RIGID W/HARD RUBBER	2
2	<a href="#">CS-23730</a>	CASTER,3" SWVL W/BRAKE/PLATE	2
3	<a href="#">SC-2351</a>	5/16-18 X 5/8 SERR. HEX HD SCREW	16

5010920\_1

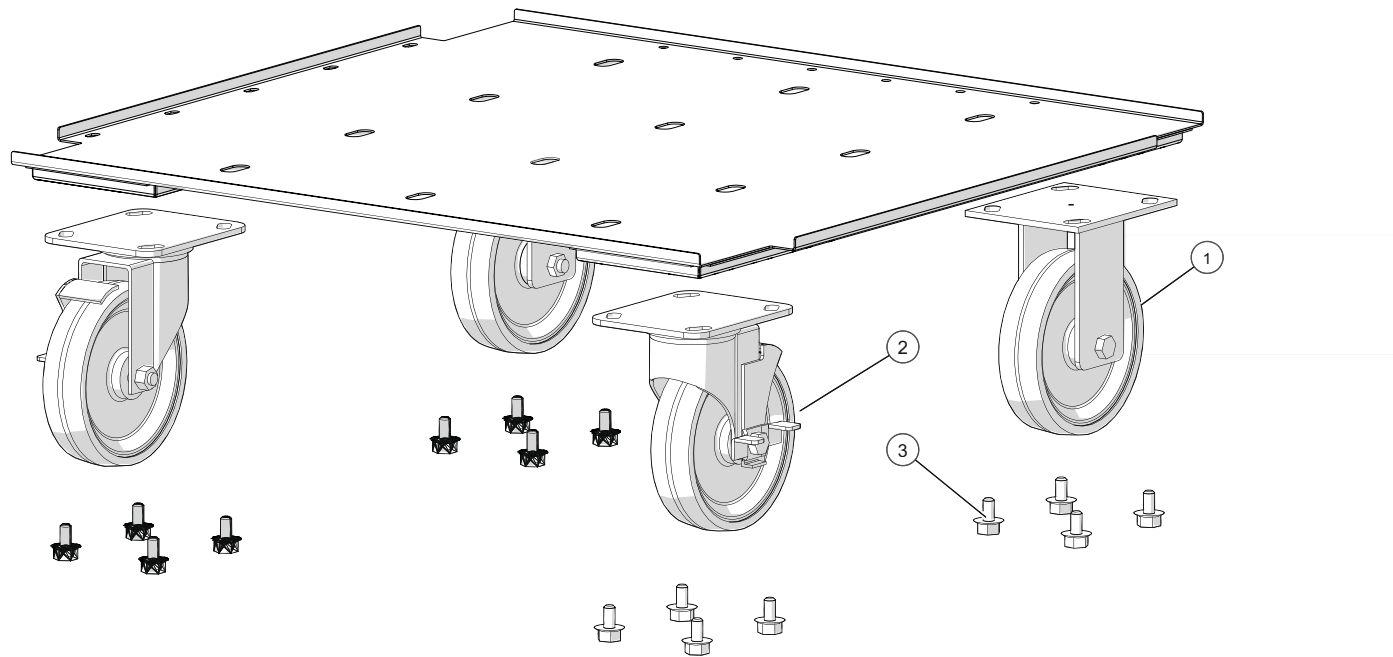
# Caster Stand, 500-DN, 3 inch



ID	Part No.	Description	Qty
1	CS-23731	CASTER, 3" RIGID W/HARD RUBBER	2
2	SC-2351	5/16-18 X 5/8 SERR. HEX HD SCREW	16
3	CS-23730	CASTER,3" SWVL W/BRAKE/PLATE	2

5010921\_1

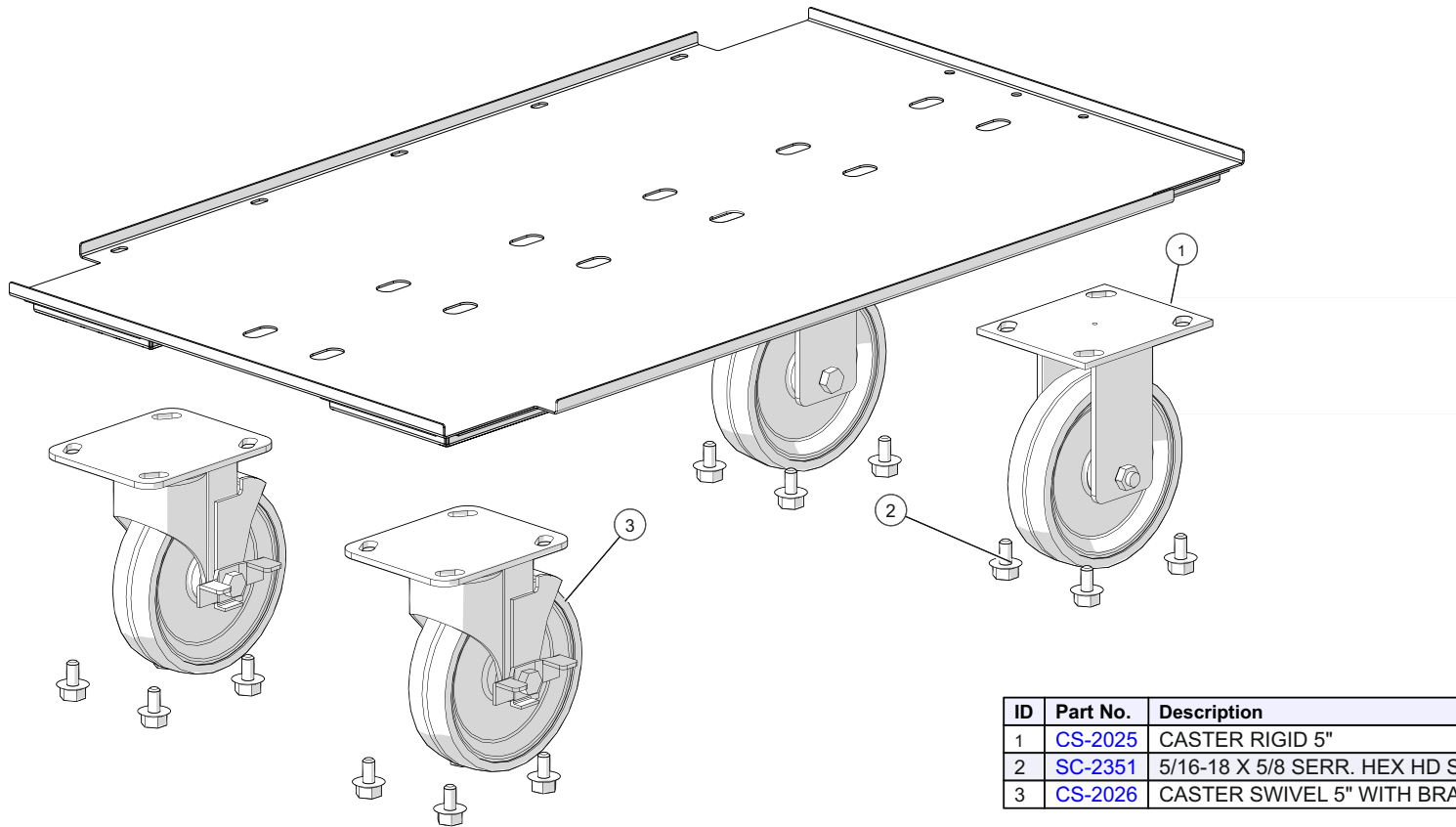
# Caster Stand, 500-D, 5 inch



ID	Part No.	Description	Qty
1	CS-2025	CASTER RIGID 5"	2
2	CS-2026	CASTER SWIVEL 5" WITH BRAKE	2
3	SC-2351	5/16-18 X 5/8 SERR. HEX HD SCREW	16

15379\_1

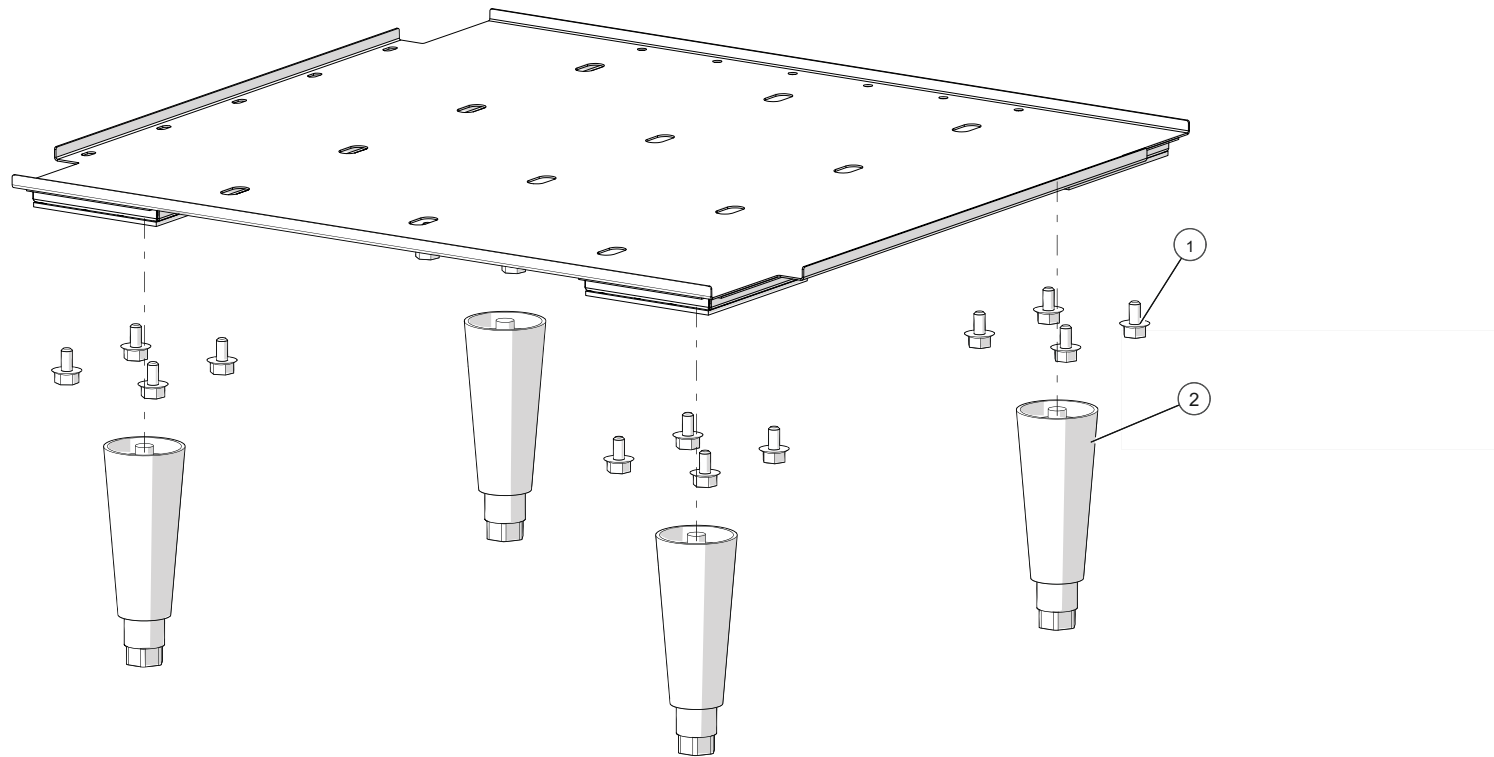
# Caster Stand, 500-DN, 5 inch



ID	Part No.	Description	Qty
1	CS-2025	CASTER RIGID 5"	2
2	SC-2351	5/16-18 X 5/8 SERR. HEX HD SCREW	16
3	CS-2026	CASTER SWIVEL 5" WITH BRAKE	2

55534\_1

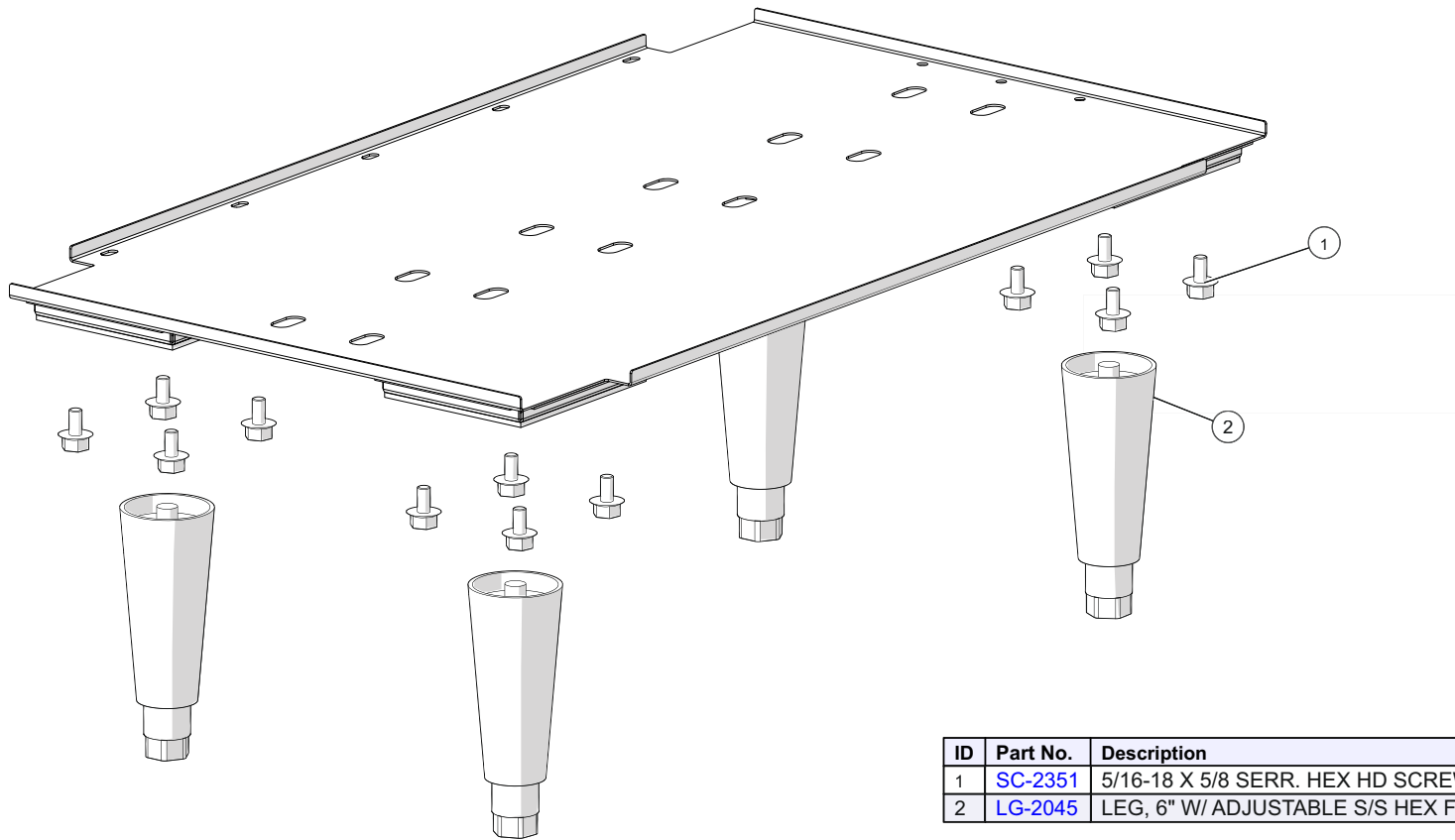
# Leg Stand, 500-D



ID	Part No.	Description	Qty
1	SC-2351	5/16-18 X 5/8 SERR. HEX HD SCREW	16
2	LG-2045	LEG, 6" W/ ADJUSTABLE S/S HEX FOOT	4

15380\_1

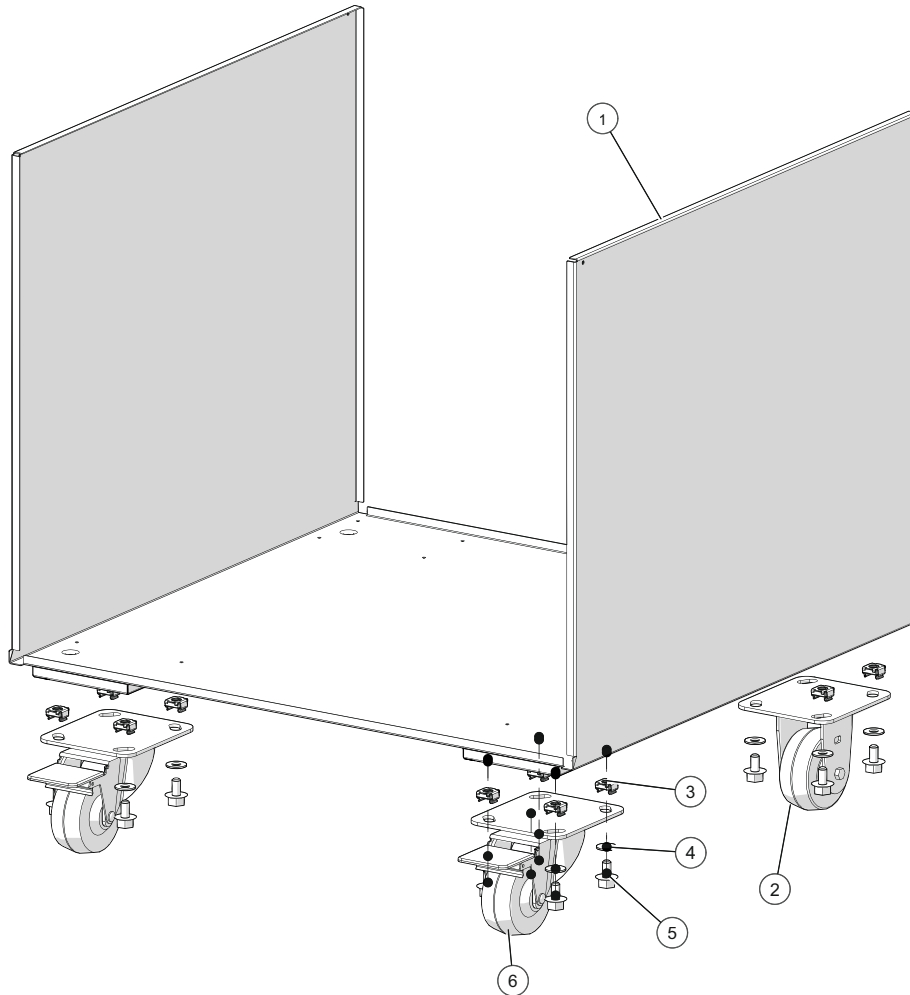
# Leg Stand, 500-DN



ID	Part No.	Description	Qty
1	<a href="#">SC-2351</a>	5/16-18 X 5/8 SERR. HEX HD SCREW	16
2	<a href="#">LG-2045</a>	LEG, 6" W/ ADJUSTABLE S/S HEX FOOT	4

55535\_1

# Caster Support Package, 500-2DI



ID	Part No.	Description	Qty
1	1026119	CASING, OUTER	1
2	<a href="#">CS-23731</a>	CASTER, 3" RIGID W/HARD RUBBER	2
3	NU-39317	NUT, CAGE, 5/16-18 THREAD	16
4	WS-23725	5/16 FLAT WASHER	16
5	<a href="#">SC-2351</a>	5/16-18 X 5/8 SERR. HEX HD SCREW	16
6	<a href="#">CS-23730</a>	CASTER,3" SWVL W/BRAKE/PLATE	2

5026152\_0

ALTO-SHAAM.

Menomonee Falls, WI U.S.A.

Phone: 920.770.0714 Fax: 920.771.7000 [www.alto-shaam.com](http://www.alto-shaam.com)