

Heated Holding

Drawer Warmers

500-1D	500-1DN
500-2D	500-2DN
500-3D	500-3DN
500-2DI	



MN-46969-EN

REV.04
12/25

EN

For the most current manual, visit alto-shaam.com
Die neueste Fassung des Handbuchs finden Sie auf alto-shaam.com
Pour la dernière version du manuel, visitez alto-shaam.com
Para obtener el manual más actual, visite alto-shaam.com
Ga voor de meest recente handleiding naar alto-shaam.com



Manufacturer's Information

Copyright

© Copyright 12/25 by Alto-Shaam, Inc.

All rights reserved.

This manual or any portion thereof may not be reproduced or used in any manner whatsoever without the express written permission of Alto-Shaam, Inc.

Trademarks

All trademarks referenced in this documentation are the property of their respective owners.

Manufacturer

Alto-Shaam, Inc.

P.O. Box 450

W164 N9221 Water Street

Menomonee Falls, WI 53052

Original instructions

The content in this manual is written in American English.

Software and manual updates

The information in this manual was current at the time of production. See www.alto-shaam.com for the latest software and manual.

Enjoy your Alto-Shaam® Drawer Warmer!

Halo Heat® Technology

Soft, gentle Halo Heat® – Alto-Shaam Drawer Warmers use the same soft, gentle Halo Heat that made the Alto-Shaam Cook & Hold oven a kitchen staple all over the world. Product moisture is retained without the need for adding water. With no exposed Calrod heating elements, cleaning is easy.

Alto-Shaam Drawer Warmers are available in one-, two- or three-drawer configurations and can fit anywhere you need production items held hot and within reach.

Extend Your Manufacturer's Warranty

Register

Register your Alto-Shaam appliance online. Registering your appliance ensures prompt service in the event of a warranty claim.

Your personal information will not be shared with any other company.

alto-shaam.com/warranty

Alto-Shaam 24/7 Emergency Repair Service

Call

Call 800-558-8744 to reach our 24-hour emergency service call center for immediate access to local authorized service agencies outside standard business hours. The emergency service access is provided exclusively for Alto-Shaam equipment and is available throughout the United States through Alto-Shaam's toll free number.

Availability

Emergency service access is available seven days a week, including holidays.

This page is intentionally left blank.

Manufacturer’s Information 2

Foreword 3

 Enjoy your Alto-Shaam® Drawer Warmer! 3

 Extend Your Manufacturer’s Warranty 3

 Alto-Shaam 24/7 Emergency Repair Service 3

Table of Contents 5

Safety 7

 The Meaning of Signal Words 7

 Appliance Description and Intended Use. 8

 Safety Precautions. 9

Labels 13

 Label Locations 13

Specifications 15

 Dimension Drawings 15

Installation 17

 How to Unpack the Appliance 17

 How to Install the Drawer Warmer 18

Operation 21

 Control Identification 21

 How to Use the Door Vents 22

 How to Hold Hot Food 23

 How to Display the Set or Actual Temperature 24

 How to Change the Temperature Scale. 25

 How to Modify Drawer to Hold Oversized Pans 26

Maintenance 27

 Maintenance Schedule 27

 How to Clean the Drawer Warmer 28

 How to Calibrate the Temperature Sensor. 29

Troubleshooting 33

 Error Codes. 33

Schematics 35

Warranty 37

 Warranty 37

TABLE OF CONTENTS

TABLE OF CONTENTS

This page is intentionally left blank.

The Meaning of Signal Words

This manual contains signal words where needed. These signal words must be obeyed to reduce the risk of death, personal injury, or equipment damage. The meaning of these signal words is explained below.

**DANGER**

Danger indicates a hazardous situation which, if not avoided, will result in serious injury or death.

**WARNING**

Warning indicates a hazardous situation which, if not avoided, could result in serious injury or death.

**CAUTION**

Caution indicates a hazardous situation which, if not avoided, could result in minor or moderate injury.

NOTICE

Notice indicates a situation which, if not avoided, could result in property damage.



NOTE: Note indicates additional information that is important to a concept or procedure.

Appliance Description and Intended Use

Halo Heat® Technology

The Alto-Shaam drawer warmer is an appliance that uses Halo Heat technology to keep hot foods hot. This gentle, radiant heat evenly surrounds food without the use of extremely hot elements, added humidity or fans.

Configurations

The drawer warmer series is available in three configurations: one-, two-, and three-drawer. The 500-2DI features two (2) individually controlled drawers.

Intended use

Drawer warmers are intended to keep hot food hot only. Any other use is prohibited. The appliance is intended for use in commercial establishments where all operators are familiar with the purpose, limitations, and associated hazards of this appliance.

This appliance is intended to be used for commercial applications, for example in kitchens of restaurants, canteens, hospitals and in commercial enterprises such as bakeries, butcheries, etc., but not for continuous mass production of food. This appliance is not intended to be used by laymen in household and similar applications such as: staff kitchen areas in shops, offices, and other working environments; farmhouses, hotels, motels and other residential type environments; bed and breakfast type environments.

Residual risks

This drawer warmer is manufactured using ISO-certified processes. The drawer warmer is designed with maximum safety in mind; however, there are residual risks to operators of this drawer warmer. Residual risks include exposure to heat and exposure to hot food products.

Possible misuse

Misuse of this drawer warmer includes loading the drawer warmer with anything other than a food product, or loading the drawer warmer with food that has not been heated to 140°F (60°C) to 160°F (71°C). Misuse also includes heating any food product that contains alcohol or other flammable substance.

Safety Precautions

Before you begin

Read and understand all instructions in this manual.

Electrical precautions

Obey these electrical precautions when using the appliance:

- Connect the appliance to a properly grounded outlet. Do not use the appliance if it is not properly grounded. Consult an electrician if there is any doubt that the outlet used is properly grounded.
 - Keep the cord away from hot surfaces.
 - Do not attempt to service the appliance or its cord and plug.
 - Do not operate the appliance if it has a damaged cord or plug.
 - Do not immerse the cord or plug in water.
 - Do not let the cord hang over the edge of a table or counter.
 - Do not use an extension cord.
-

Usage precautions

Obey these usage precautions when using the appliance:

- Only use this appliance for its intended use of heating.
 - Use utensils and protective clothing such as dry oven mitts when loading and unloading the appliance.
 - Use caution when using the appliance. Floors adjacent to the appliance may become slippery.
 - Do not cover or block any of the openings of this appliance.
 - Do not use this appliance near water such as a sink, in a wet location, near a swimming pool, or similar locations.
-

Maintenance precautions

Obey these maintenance precautions when maintaining the appliance:

- Obey precautions in the manual, on tags, and on labels attached to or shipped with the appliance.
- Only clean the appliance when it is disconnected from the power source.
- Do not store the appliance outdoors.
- Do not clean the appliance with metal scouring pads.
- Do not use corrosive chemicals when cleaning the appliance.
- Do not use a hose, water jet, or steam cleaner to clean the appliance.
- Do not use the appliance cavity for storage.
- Do not leave flammable materials, cooking utensils, or food inside the appliance when it is not in use.

Continued on next page

Continued from previous page

Operator training

All personnel using the appliance must have proper operator training. Before using the appliance:

- Read and understand the operating instructions contained in all the documentation delivered with the appliance.
- Know the location and proper use of all controls.
- Keep this manual and all supplied instructions, diagrams, schematics, parts lists, notices, and labels with the appliance if the appliance is sold or moved to another location.
- Contact Alto-Shaam for additional training if needed.

Operator qualifications

Only trained personnel with the following operator qualifications are permitted to use the appliance:

- Have received proper instruction on how to use the appliance.
- Have demonstrated their ability with commercial kitchens and commercial appliances.

The appliance must not be used by:

- Persons (including children) with reduced physical, sensory or mental capabilities, or lack of experience and knowledge, unless they have been given supervision concerning use of the appliance by person responsible for their safety.
- People impaired by drugs or alcohol.

- Children should be supervised to ensure that they do not play with the appliance.
- Children shall neither clean nor maintain the appliance.

Condition of appliance

Only use the appliance when:

- All controls operate correctly.
- The appliance is installed correctly.
- The appliance is clean.
- The appliance labels are legible.

Servicing the appliance

- Only trained personnel are permitted to service or repair the appliance. Repairs that are not performed by an authorized service partner or trained technician will void the warranty and relieve Alto-Shaam of all liability. Original manufacturer's replacement parts may be substituted; however, these parts must be of equal quality and specifications as those provided by Alto-Shaam.
- To prevent serious injury, death or property damage, have the appliance inspected and serviced at least every twelve (12) months by an authorized service partner or trained technician.
- Contact Alto-Shaam for the authorized service partner in your area.

Continued on next page

Continued from previous page

Installing the appliance

WARNING: This appliance shall not be installed where the public has access.

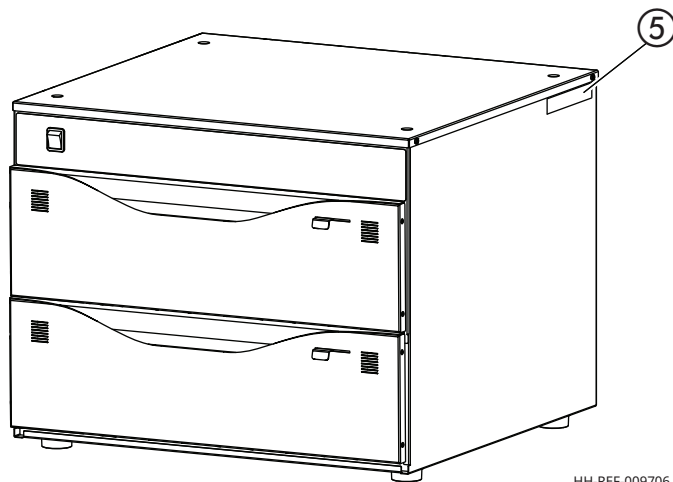
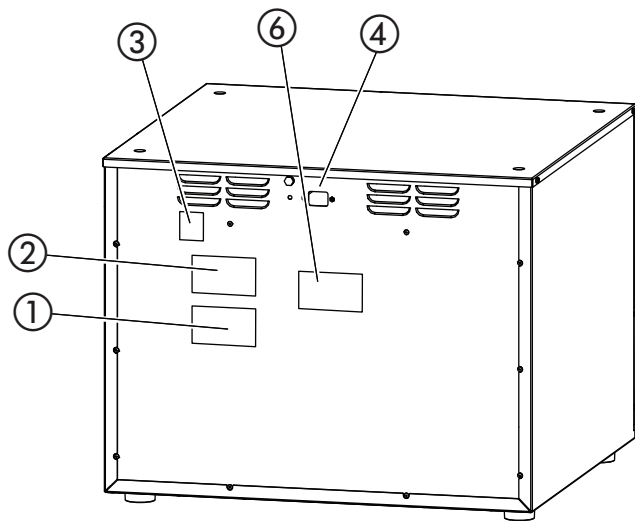
Personal Protective Equipment (PPE)

Wear the following Personal Protective Equipment (PPE) while cleaning the appliance:

- Protective gloves
- Protective clothing
- Eye protection
- Face protection


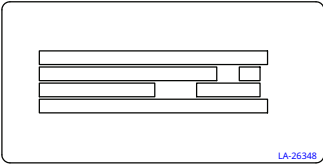





This page is intentionally left blank.

Label Locations





HH-REF-009706

LABELS

<p>1</p>		<p>Every Alto-Shaam® product is precision calibrated prior to release from the factory to ensure accurate temperature control.</p>
<p>2</p>		<p>Rating Tag</p>
<p>3</p>		<p>Do not dispose of this item in general waste. (230V only)</p>
<p>4</p>		<p>Equipotential bonding</p>
<p>5</p>		<p>Security seal</p>
<p>6</p>	 	<p>WARNING Electric shock hazard To reduce the risk of electric shock, do not remove or open cover. No user-serviceable parts inside. Refer servicing to qualified personnel. Qualified personnel: Disconnect power before servicing.</p>

Dimension Drawings

See Specification Sheet for dimensions.

500-1D, 500-2D, 500-3D	
500-1DN, 500-2DN, 500-3DN	
500-2DI	

**Cutout Dimensions
(for drawer warmers
with built-in trim)**

Add 3/4" (19mm) to drawer warmer height, and 1-1/2" (38mm) to drawer warmer width.

SPECIFICATIONS

This page is intentionally left blank.

How to Unpack the Appliance

Before you begin

Make sure you have:

- An appropriate lifting device and enough personnel to safely move and position the weight of the appliance.
 - 500-1D: 80 lbs (36 kg)
 - 500-2D, 500-2DI: 115 lbs (52 kg)
 - 500-3D: 150 lbs (68 kg)
 - 500-1DN: 67 lbs (30 kg)
 - 500-2DN: 100 lbs (45 kg)
 - 500-3DN: 130 lbs (59 kg)
- Cutting tools to remove the packaging.

Unpack the appliance

To unpack the appliance, do the following.

Step	Action
1.	Remove the box. Save all packing materials for inspection by the carrier.
	<div style="border: 1px solid black; padding: 5px;"> <p>i NOTE: Examine the appliance for damage. If the appliance has been damaged, do not use the appliance until it has been inspected by an authorized service provider. Contact your carrier or Alto-Shaam® customer service.</p> </div>
2.	Remove the shrink wrap.
3.	Cut the restraining straps.
4.	Remove the appliance from the pallet.

Result

The appliance is now unpacked.

How to Install the Drawer Warmer

Before you begin

Make sure you have:

- An appropriate lifting device, and enough personnel, to safely move and position the weight of the drawer warmer.

Requirements

- The drawer warmer must be installed on a level surface.
- The drawer warmer must not be installed in any area where it may be affected by steam, grease, dripping water, high temperature, or any other severely adverse conditions.

Electrical connection



WARNING: To prevent serious injury, death, or property damage:

All electrical connections must be made by a qualified and trained service technician in accordance with applicable electrical codes.

This appliance must be adequately grounded in accordance with local electrical codes or, in the absence of local codes, with the current edition of the National Electrical Code ANSI/NFPA No 70. In Canada, all electrical connections are to be made in accordance with CSA C22 1, Canadian Electrical Code Part 1 or local codes.

CE-approved appliances include an equipotential-bonding terminal marked with the equipotential symbol. Provisions for earthing are to be made in accordance with IEC:2010 60335-1 section 27 or local codes.



CAUTION: Electrical shock hazard.

Power source must match voltage identified on appliance rating tag. The rating tag provides essential technical information required for any appliance installation, maintenance or repairs. Do not remove, damage or modify the rating tag.

Continued on next page

Continued from previous page

NOTICE Where local codes and CE regulatory requirements apply, appliances must be connected to an electrical circuit that is protected by an external GFCI outlet.

Position the drawer warmer

To position the drawer warmer, do the following.

Step	Action
1.	<p>Make sure that:</p> <ul style="list-style-type: none"> The location where the drawer warmer is being installed is rated to support the weight of the drawer warmer; The drawer warmer is within five feet (1.5m) of the appropriate electrical outlet; You follow the drawer warmer clearance guidelines.
2.	Move the drawer warmer to the installation location and onto the final resting surface.
3.	Clean the drawer warmer, see topic <i>How to Clean the Drawer Warmer</i> .

Connect power

To connect electric power to the drawer warmer, do the following.

4.	Set the power switch to the OFF position.
5.	Connect the plug electrical cord into the drawer warmer. Hold the cord in place using the cord retainer.
6.	Connect the plug drawer warmer into a properly grounded receptacle.
7.	When using the drawer warmer for the first time, an odor may be noticeable. If an odor is noticed, operate the drawer warmer without food for a minimum of two (2) hours at a temperature of 140°F (93°C) to remove surface oils (the total time required to remove surface oils may be longer).

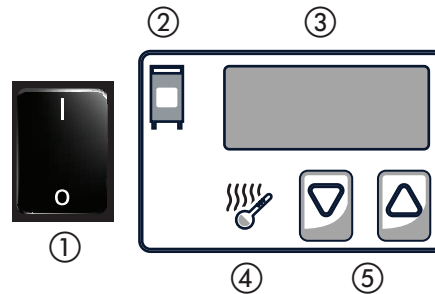
Result

The drawer warmer is now installed.

This page is intentionally left blank.

Control Identification

Control Functions



TH-TS-009666

Item	Description	Function
1	On/Off Power Switch	Press to turn on or turn off the drawer warmer
2	Heat Indicator Light	Indicates when the drawer warmer has reached the set temperature
3	LCD Display	Displays time, temperature, settings, and error codes
4	Temperature Display	Press to display the Set and Actual cavity temperature
5	Up/Down Arrows	Press to set warming temperature

How to Use the Door Vents

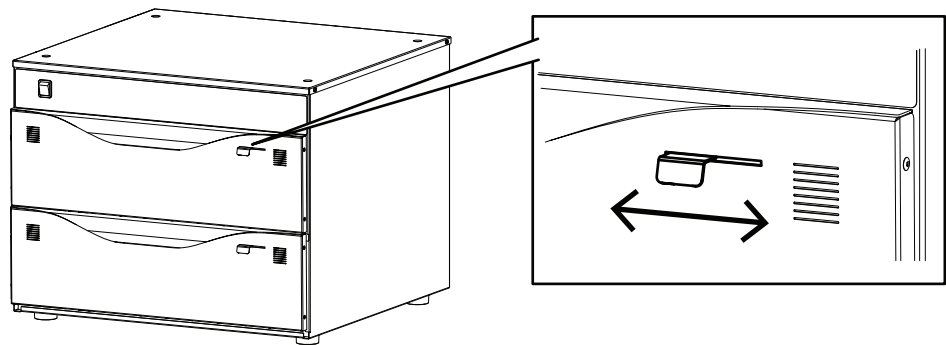
Background

The door vents provide ventilation for humidity control and increased airflow. The door vents can be adjusted to give you the best results for the food you are holding. To open the door vents, slide the door vent handle to the left. To close the door vents, slide it to the right.

Settings

To set the door vents, use the following suggestions.

Holding type	Vent position
To maintain moisture	Closed
To remove excess moisture	Open



HH-TSK-018381

How to Hold Hot Food

Before you begin

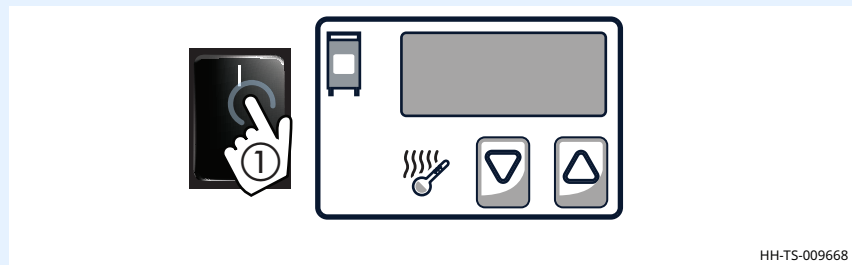
Make sure:

- The drawer warmer is on.
- Food to be put into the drawer warmer is 140°F (60°C) to 160°F (71°C).

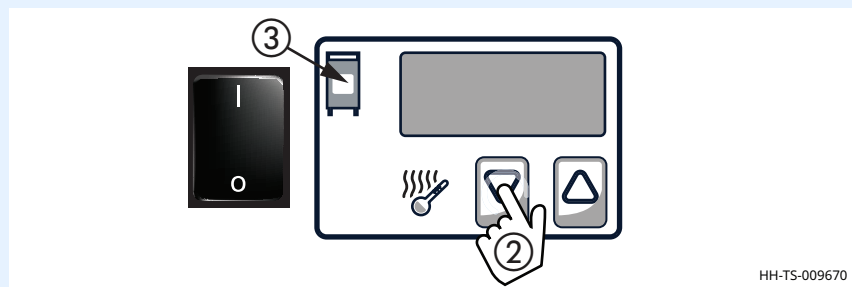
Procedure

To hold hot food, do the following.

Step	Action
1.	Set the power switch ① to the ON position.
	
2.	Press the up or down arrow ② to 200°F (93°C). The heat indicator ③ will light.
	
3.	Allow the drawer warmer to preheat for 30 minutes before adding hot food. When the heat indicator light turns off, the drawer warmer has reached the set temperature.
4.	Load the drawer warmer with hot food only (140°F (60°C) to 160°F (71°C)).



HH-TS-009668



HH-TS-009670

Result

The drawer warmer is holding hot food.

How to Display the Set or Actual Temperature

Before you begin

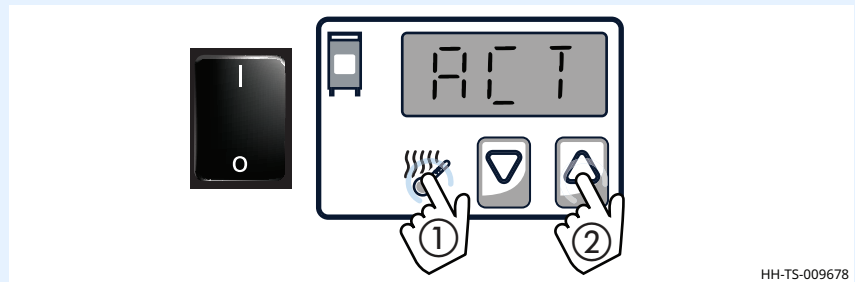
Make sure:

- The drawer warmer is on.

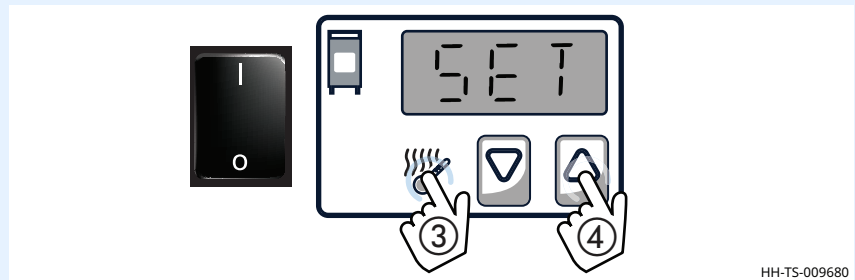
Procedure

The factory default setting is the set temperature. To change the control to display the actual temperature, do the following.

Step	Action
1.	Press and hold the temperature display button ① and the up arrow ② for five (5) seconds. The control will display "ACT" and then the actual temperature.
2.	To return to show the set temperature, press and hold the temperature display button ③ and the up arrow ④ for five (5) seconds. The control will display "SET" and then the set temperature.



HH-TS-009678



HH-TS-009680

Press the temperature display button at any time to display the set or actual temperature.

Result

The control will display the set or actual temperature.

How to Change the Temperature Scale

Before you begin

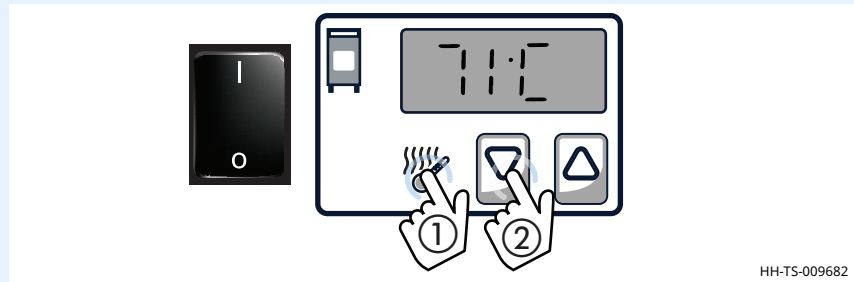
Make sure:

- The drawer warmer is on.

Procedure

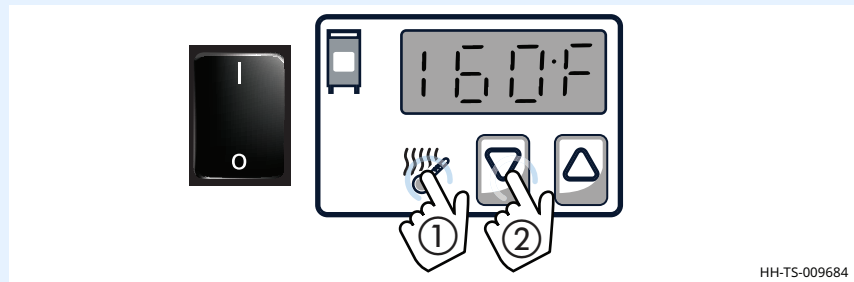
The factory default setting is Fahrenheit (°F). To change the control to display Celsius (°C), do the following.

Step	Action
1.	Press and hold the temperature display button ① and the down arrow ② for 5 seconds. The control will display Celsius (°C).
	
<p>After three (3) seconds the control will return to displaying the set or actual temperature.</p>	
2.	To return the default to show Fahrenheit, press and hold the temperature display button ① and the down arrow ② for five (5) seconds. The control will display Fahrenheit (°F).
	



HH-TS-009682

After three (3) seconds the control will return to displaying the set or actual temperature.



HH-TS-009684

Result

The control will display the Fahrenheit or Celsius temperature scale.

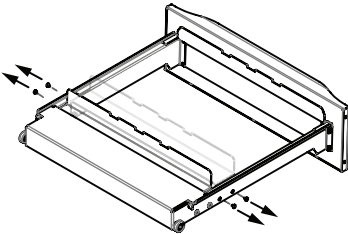
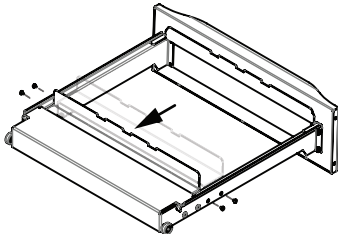
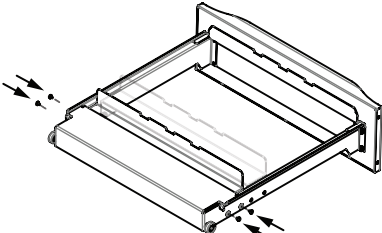
How to Modify Drawer to Hold Oversized Pans

Before you begin

- Turn the drawer warmer off and make sure it is cool.
- Make sure you have a flathead screwdriver.

Procedure

To modify the drawer to hold oversized pans, do the following.

Step	Action
1.	Remove the drawer from the drawer warmer.
2.	Remove the four (4) screws holding the pan support bracket.
	
3.	Slide the bracket to the back two (2) holes.
	
4.	Re-install the four (4) screws.
	
5.	Re-install the drawer into drawer warmer.
6.	Insert oversized pan into drawer.

Result

The drawer is now modified to hold oversized pans.

Maintenance Schedule

Requirements

- See topic *How to Clean the Drawer Warmer*.
- Disconnect the drawer warmer from power source and let cool.

Daily

For daily maintenance, do the following.

- **Remove** any spills with disposable paper wipes or a damp cloth.
- **Wipe** the outside of the drawer warmer with a damp cloth.
- **Check** the display screen for cracking or peeling. Contact Technical Service if needed.

Weekly

For weekly maintenance, do the following.

- **Clean** the entire drawer warmer. **Make sure** to use a non-abrasive nylon scrub pad.
- Do not spray the cleaner directly into the fan openings located in the rear of the drawer warmer.

Monthly

For monthly maintenance, do the following.

- **Inspect** drawers and drawer rails.
- **Inspect** drawer vent slides for proper operation.
- **Calibrate** the temperature sensor.
- **Inspect** door handle screws and tighten if necessary.

Yearly

For yearly maintenance, do the following.



NOTE: Must be performed by a qualified professional.

- **Check and tighten** all wire connections.
- **Measure** the current draw.
- **Test** the heating elements for electrical short to ground.
- **Inspect** the condition of the cord and plug.
- **Check and tighten** the cord connection.
- **Measure** the site voltage.
- **Inspect** and test the control and control functions.
- **Calibrate** the temperature sensor.

How to Clean the Drawer Warmer

Before you begin



WARNING: Electric shock hazard.
Set the power switch to the OFF position and unplug the appliance.



CAUTION: Burn hazard.
Allow the drawer warmer to cool before cleaning.



CAUTION: Corrosive materials hazard.
Wear eye protection and hand protection when cleaning.

NOTICE

Using improper cleaning procedures will damage the appliance and void the warranty.
Do not use steel pads, wire brushes, or scrapers when cleaning.

Before first use

Thoroughly clean the drawer warmer before using.

Daily cleaning procedure

To clean the drawer warmer, do the following.

Step	Action
1.	Make sure the drawer warmer is disconnected from the power source and cool—drawer is less than 140°F (60°C).
2.	Remove drawer pans and wash separately.
3.	Remove the drawers and wipe with a damp cloth.
4.	Remove the drawer rails by lifting the rail off of the bottom pins and bolt, and then sliding it off of the top pin.
5.	Wipe the inside and outside of the drawer warmer with a damp cloth.
6.	Wipe the control panel, drawer vents, and drawer handles with a non-abrasive nylon scrub pad.
7.	Clean under the drawer warmer using a Carlisle (4015200) L-tipped coil brush or equivalent coil brush.
8.	Wipe the outside of the drawer warmer with a stainless steel cleaner.

Result

The drawer warmer is now clean.

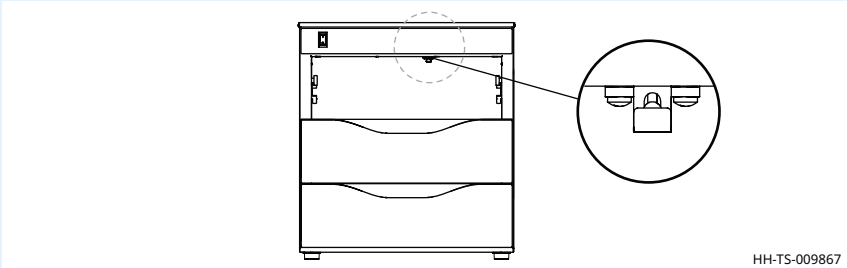
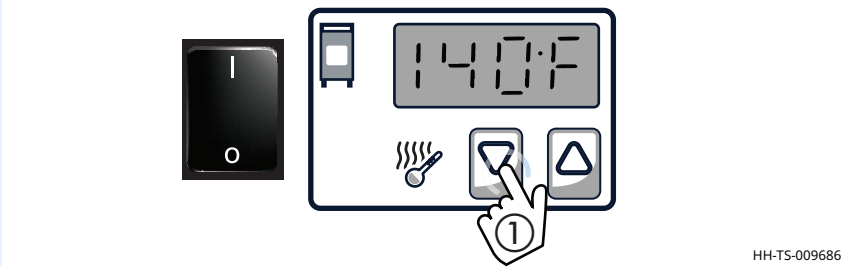
How to Calibrate the Temperature Sensor

Before you begin

- The drawer warmer must be connected to electrical power and on.
- Make sure you have a multimeter with a thermocouple attachment.
- Make sure you have read the topic *How to Display the Set or Actual Temperature*.

Procedure

To calibrate the temperature sensor, do the following.

Step	Action
1.	<p>Clean the temperature sensor with a damp cloth.</p>  <p style="text-align: right;">HH-TS-009867</p>
2.	<p>Suspend a multimeter thermocouple in the center of the drawer. Do not allow the thermocouple to touch any surface.</p> <p>Close the drawer, and do not open it until calibration is complete.</p>
3.	<p>Press the up or down arrows ① to set the temperature to 140°F (60°C).</p>  <p style="text-align: right;">HH-TS-009866</p>

Continued on next page

Continued from previous page

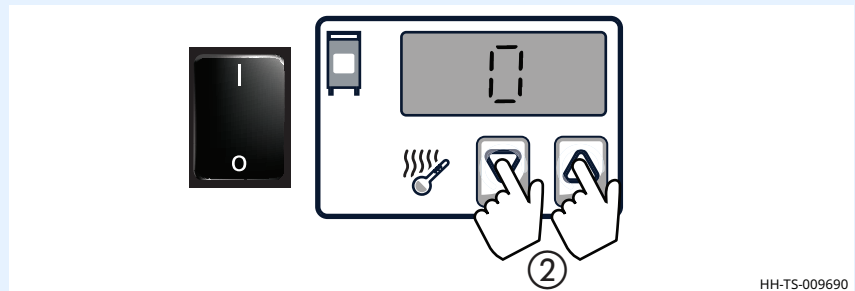
4. Allow the drawer warmer to heat for 60 minutes.

Calibrate the offset number. Subtract the smaller value from the larger value. This is the offset. If the value measured by the multimeter was the larger value, the offset will be positive "+". If the value measured by the multimeter was the smaller value, the offset will be negative "-".



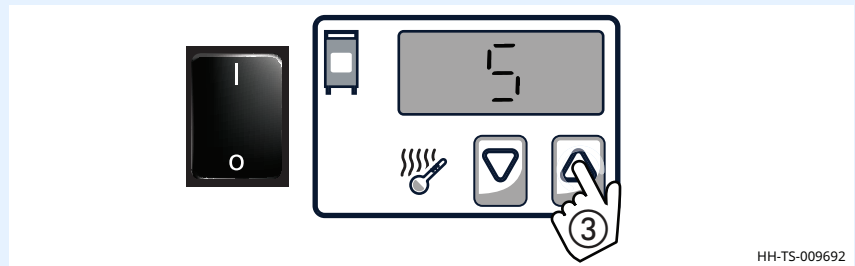
Setting the offset value

5. If the multimeter temperature and the Actual temperature don't match, **press** and **hold** the Up and down arrow buttons ② for eight (8) seconds. The control will display the previous calibration offset value or 0.



6. **Press** the up or down arrows ③ to set the appropriate offset value.

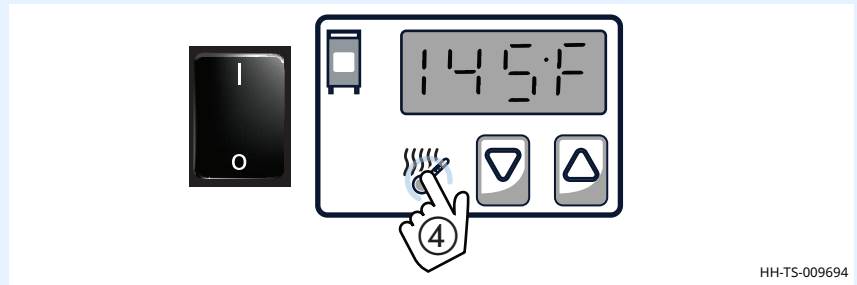
Example: If the multimeter temperature is 145°F, and the actual temperature is 140°F, set the offset to +5 from the original offset to bring the actual temperature to 145°F.



Continued on next page

Continued from previous page

7. **Press** the temperature display button ④ to save the offset and exit calibration mode.



8. Allow the drawer warmer to re-stabilize and **compare** the temperature again.

Result

The temperature sensor has been calibrated.

This page is intentionally left blank.

Error Codes



NOTE: Must be performed by a qualified professional.

Code	Description	Cause/Remedy
E-10	Cavity sensor shorted	Cavity air sensor reading < 5°F (-15°C). Verify sensor integrity.
E-11	Cavity sensor open	Cavity air sensor reading > 517°F (269°C). Verify sensor integrity.
E-30	Unit under temperature	Unit has been more than 25°F (14°C) below setpoint for longer than 90 minutes.
E-31	Unit over temperature	Unit has been more than 60°F (33°C) above the maximum setpoint for longer than 3 minutes. Drawer warmers with this error code are more than 145°F (81°C) above the maximum setpoint.
E-38	Internal software error	Contact factory.
E-39	Sensor error	Contact factory.
E-70	Configuration connector error (DIP switch)	Refer to the electrical schematic and ensure DIP switches on the control match the settings called out on the schematic. If the DIP switch settings are correct according to the schematic, replace the control.
E-83	EEPROM not responding	Contact factory.
E-90	Button stuck	A button has been held down for > 60 seconds. Adjust control error will reset when the problem has been resolved

This page is intentionally left blank.

For the most current schematics, use the QR code or click link.

<p>77830 500 Series</p>		
<p>77831 500-2DI</p>		

This page is intentionally left blank.

Warranty

Introduction

Alto-Shaam, Inc. warrants to the original purchaser only, that any original part found to be defective in material or workmanship will be replaced with a new or rebuilt part at Alto-Shaam's option, subject to provisions hereinafter stated.

Warranty Period

The original parts warranty period is as follows:

- For all other original parts, one (1) year from the date of installation of appliance or fifteen (15) months from the shipping date, whichever occurs first.
- The labor warranty period is one (1) year from the date of installation or fifteen (15) months from the shipping date, whichever occurs first.
- Alto-Shaam will bear normal labor charges performed during standard business hours, excluding overtime, holiday rates or any additional fees.
- For the refrigeration compressor, if installed, the warranty period is five (5) years from the date of original installation of the appliance.
- For heating elements on Halo Heat® Cook and Hold ovens, the warranty period is for as long as the original owner owns the oven. This warranty period applies to units sold after 2/1/2009 and excludes holding-only ovens.
- To be valid, a warranty claim must be asserted during the applicable warranty period. This warranty is not transferable.

Exclusions

This warranty does not apply to:

- Calibration.
- Replacement of light bulbs, rubber gaskets, grease filters, air filters, racks, jet plates, and/or the replacement of glass due to damage of any kind.
- Equipment damage caused by accident, shipping, improper installation or alteration.
- Equipment used under conditions of abuse, misuse, carelessness or abnormal conditions, including but not limited to, equipment subjected to harsh or inappropriate chemicals, including but not limited to, compounds containing chloride or quaternary salts, poor water quality, or equipment with missing or altered serial numbers.
- Equipment damage caused by use of any cleaning agents other than those recommended by Alto-Shaam, including but not limited to damage due to chlorine or other harmful chemicals.
- Any losses or damage resulting from malfunction, including loss of food product, revenue, or consequential or incidental damages of any kind.
- Equipment modified in any manner from original model, substitution of parts other than factory authorized parts, unauthorized removal of any parts including legs, or unauthorized addition of any parts.

Continued on next page

Continued from previous page

- Equipment damage incurred as a direct result of poor water quality*, inadequate maintenance of steam generators and/or surfaces affected by water. Water quality and required maintenance of steam generating equipment is the responsibility of the owner/operator.
 - Equipment damage incurred as a result of not following the required maintenance schedule published in the manuals for the equipment.
-

Conclusion

This warranty is exclusive and is in lieu of all other warranties, express or implied, including the implied warranties of merchantability and fitness for a particular purpose. No person except an officer of Alto-Shaam, Inc. is authorized to modify this warranty or to incur on behalf of Alto-Shaam any other obligation or liability in connection with Alto-Shaam equipment.

**Refer to the product spec sheet for water quality standards.*



Menomonee Falls, WI U.S.A.

Phone 800 -558-8744 | +1-262-251-3800 | alto-shaam.com