

## Heated Holding

# Drawer Warmers

500-1D	500-1DN
500-2D	500-2DN
500-2DI	500-3DN
500-3D	



## Manufacturer's Information

### Copyright

© Copyright 04/2026 by Alto-Shaam, Inc.  
All rights reserved.  
This manual or any portion thereof may not be reproduced or used in any manner whatsoever without the express written permission of Alto-Shaam, Inc

### Trademarks

All trademarks referenced in this documentation are the property of their respective owners.

### Manufacturer

Alto-Shaam, Inc.  
P.O. Box 450  
W164 N9221 Water Street  
Menomonee Falls, WI 53052

### Models Covered

500-1D 500-2D 500-2DI 500-3D	500-1DN 500-2DN 500-3DN
---------------------------------------	-------------------------------

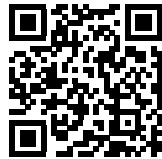
### Serial Number

The unit serial number is required for identifying and ordering the correct service parts.  
Record the unit serial number below for reference.

Serial Number

### Parts Finder Tool

Interactive diagrams from this Parts Manual are available online at our Parts Finder Tool:  
<https://www.alto-shaam.com/en/customer-support/parts>.  
Or, scan the QR code below.



### Parts Ordering Information

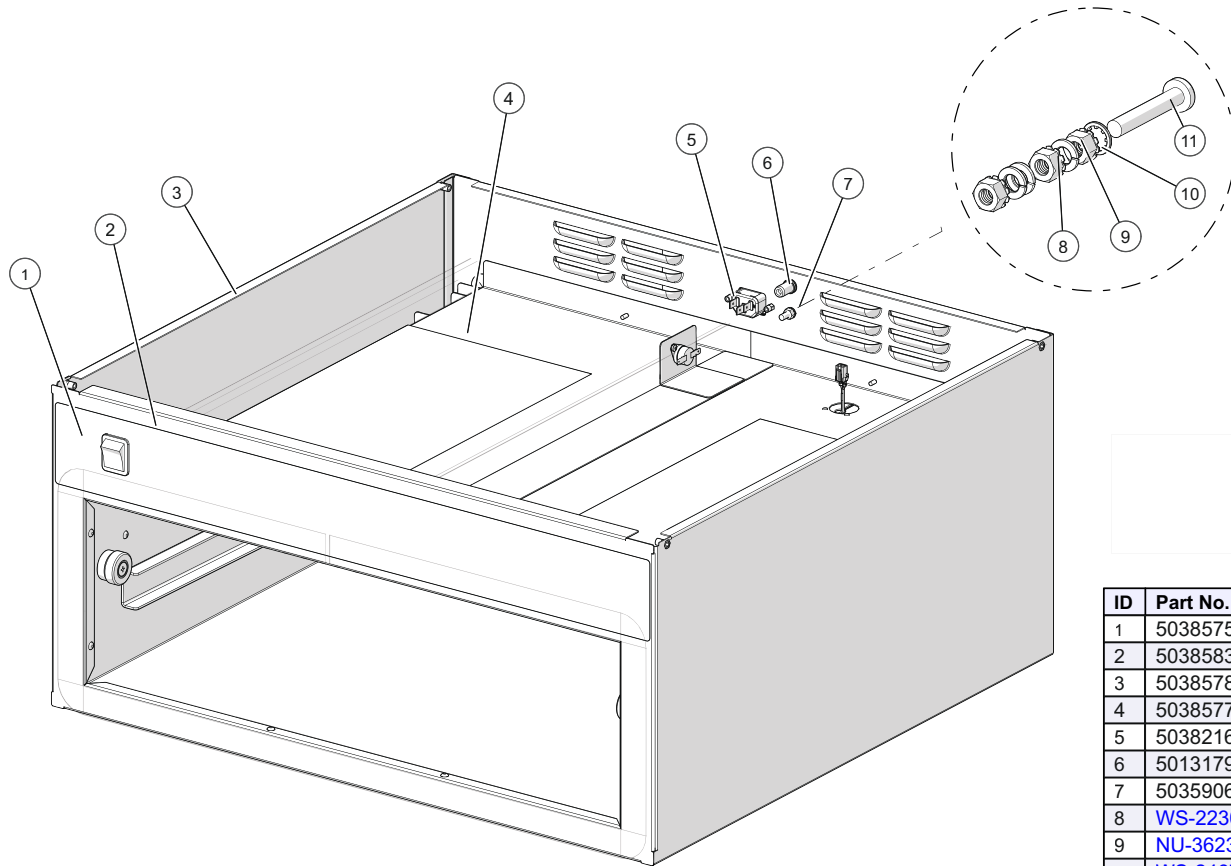
Original manufacturer's replacement parts may be ordered directly from the Alto-Shaam network of Authorized Service Agents and Parts Distributors. Follow this link for a map to a local partner: <https://www.alto-shaam.com/en/how-to-buy>. If you are an Authorized Service Agent or Parts Distributor, please submit your purchase order to [parts@alto-shaam.com](mailto:parts@alto-shaam.com).

Non-OEM parts may be substituted; however, these parts must be of equal quality and specifications as those provided by Alto-Shaam.

# Table of Contents

Manufacturer’s Information .....	2	Cavity Assembly, Heat Pad, 500-1DN .....	35
Table of Contents .....	3	Cavity Assembly, Heat Pad, 500-2DN .....	36
Core Package, 500-1D .....	4	Cavity Assembly, Heat Pad, 500-3DN .....	37
Core Package, 500-2D .....	5	Drawer Assembly, Standard with Vents, 500-D Series .....	38
Core Package, 500-2DI .....	6	Drawer Assembly, Standard with Vents, 500-DN Series .....	39
Core Package, 500-2DI with Casters .....	7	Drawer Frame Assembly, 500-D Series .....	40
Core Package, 500-3D .....	8	Drawer Frame Assembly, 500-DN Series .....	41
Core Package, 500-1DN .....	9	Trim Kits .....	42
Core Package, 500-1DN (Specialty) .....	10	Control Assembly, Wired, All 500-D and DN Models .....	43
Core Package, 500-2DN .....	11	Control Assembly, Wired, 500-2DI .....	44
Core Package, 500-3DN .....	12	Control Package, 500-1D .....	45
Panel Package, 500-1D .....	13	Control Package, 500-2D .....	46
Panel Package, 500-2D .....	14	Control Package, 500-2DI .....	47
Panel Package, 500-2DI .....	15	Control Package, 500-2DI .....	48
Panel Package, 500-3D .....	16	Control Package, 500-3D .....	49
Panel Package, 500-1DN .....	17	Control Package, 500-1DN .....	50
Panel Package, 500-1DN (Specialty) .....	18	Control Package, 500-2DN .....	51
Panel Package, 500-2DN .....	19	Control Package, 500-3DN .....	52
Panel Package, 500-3DN .....	20	Receptacle Assembly, C14 .....	53
Cover Assembly, Top (All 500-D and DI models) .....	21	Receptacle Assembly, C14 Seal .....	54
Cover Assembly, Top (All 500-DN models) .....	22	Cord Assemblies .....	55
Cavity Package, 500-1D .....	23	Foot Package .....	56
Cavity Package, 500-2D .....	24	Caster Stand, 500-D, 3 inch .....	57
Cavity Package, 500-2DI .....	25	Caster Stand, 500-DN, 3 inch .....	58
Cavity Package, 500-3D .....	26	Caster Stand, 500-D, 5 inch .....	59
Cavity Package, 500-1DN .....	27	Caster Stand, 500-DN, 5 inch .....	60
Cavity Package, 500-2DN .....	28	Leg Stand, 500-D .....	61
Cavity Package, 500-3DN .....	29	Leg Stand, 500-DN .....	62
Cavity Assembly, Heat Pad, 500-1D .....	30	Caster Support Package, 500-2DI .....	63
Cavity Assembly, Heat Pad, 500-2D .....	31		
Cavity Assembly, Heat Pad, 500-2D .....	32		
Cavity Assembly, Heat Pad, 500-2DI .....	33		
Cavity Assembly, Heat Pad, 500-3D .....	34		

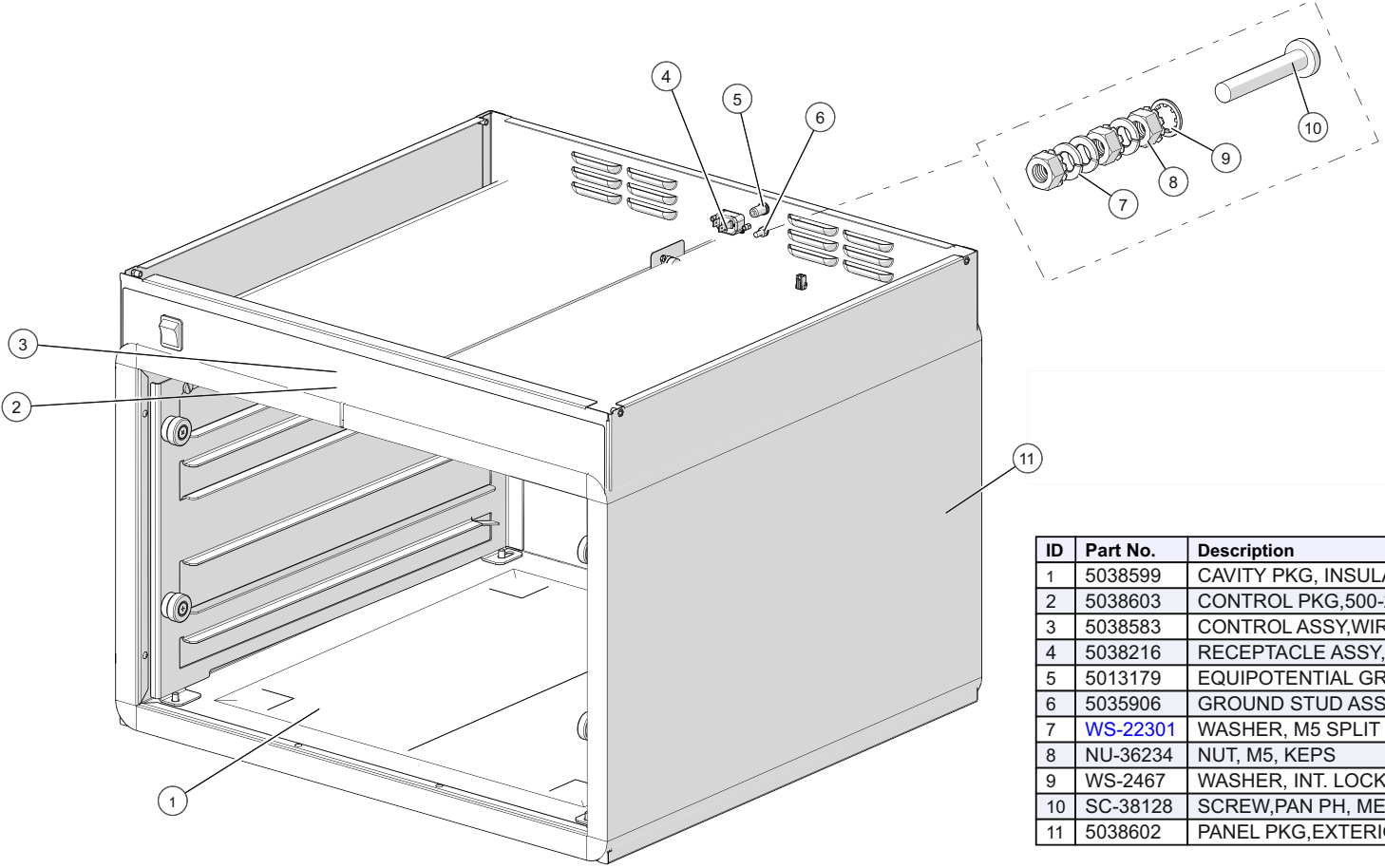
# Core Package, 500-1D



ID	Part No.	Description	Qty
1	5038575	CONTROL PKG,500-1D	1
2	5038583	CONTROL ASSY,WIRED	1
3	5038578	PANEL PKG,EXTERIOR,500-1D	1
4	5038577	CAVITY PKG,INSULATED,500-1D	1
5	5038216	RECEPTACLE ASSY,C14	1
6	5013179	EQUIPOTENTIAL GROUND STUD	1
7	5035906	GROUND STUD ASSY	2
8	<a href="#">WS-22301</a>	WASHER, M5 SPLIT LOCK	3
9	<a href="#">NU-36234</a>	NUT, M5, KEPS	3
10	<a href="#">WS-2467</a>	WASHER, INT. LOCK	1
11	SC-38128	SCREW,PAN PH, METRIC, M5	1

5038574\_0

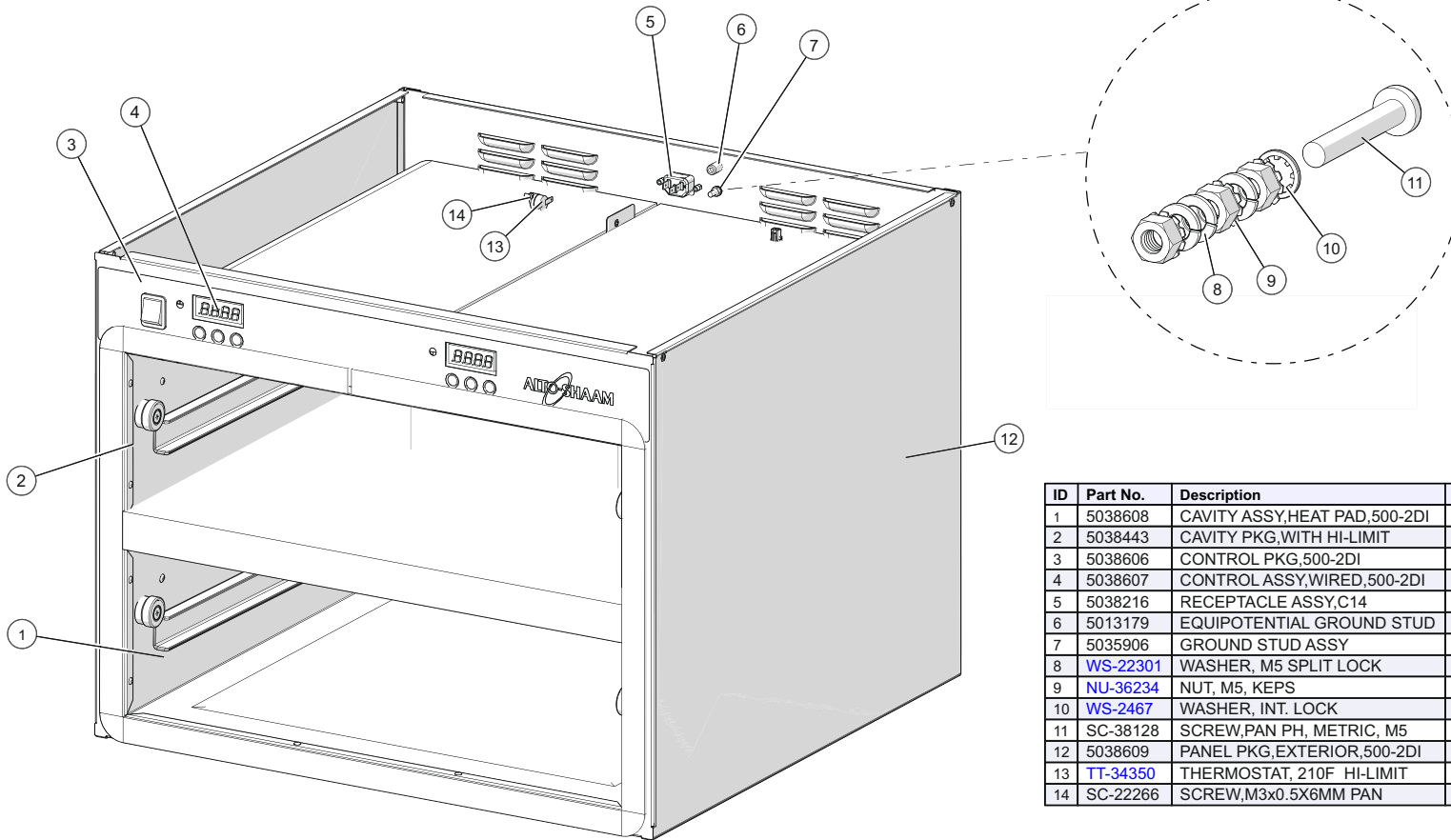
# Core Package, 500-2D



ID	Part No.	Description	Qty
1	5038599	CAVITY PKG, INSULATED, 500-2D	1
2	5038603	CONTROL PKG,500-2D	1
3	5038583	CONTROL ASSY,WIRED	1
4	5038216	RECEPTACLE ASSY,C14	1
5	5013179	EQUIPOTENTIAL GROUND STUD	1
6	5035906	GROUND STUD ASSY	2
7	WS-22301	WASHER, M5 SPLIT LOCK	3
8	NU-36234	NUT, M5, KEPS	3
9	WS-2467	WASHER, INT. LOCK	1
10	SC-38128	SCREW,PAN PH, METRIC, M5	1
11	5038602	PANEL PKG,EXTERIOR,500-2D	1

5038598\_0

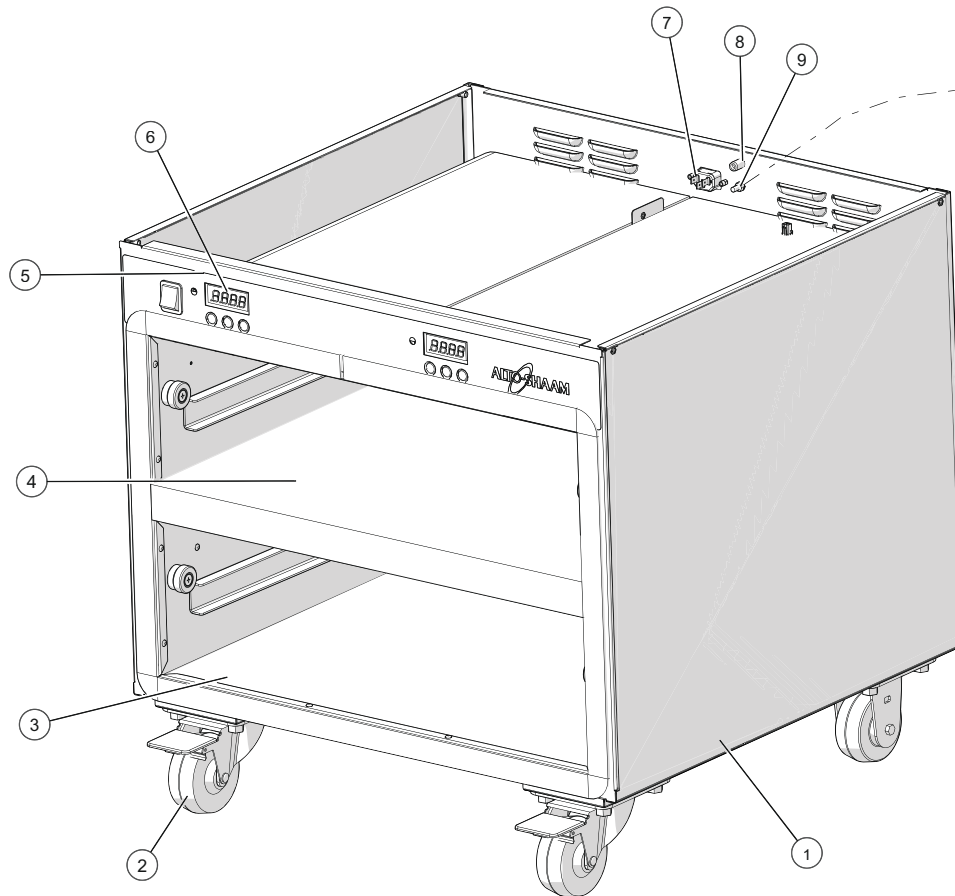
# Core Package, 500-2DI



ID	Part No.	Description	Qty
1	5038608	CAVITY ASSY,HEAT PAD,500-2DI	1
2	5038443	CAVITY PKG,WITH HI-LIMIT	1
3	5038606	CONTROL PKG,500-2DI	1
4	5038607	CONTROL ASSY,WIRED,500-2DI	1
5	5038216	RECEPTACLE ASSY,C14	1
6	5013179	EQUIPOTENTIAL GROUND STUD	1
7	5035906	GROUND STUD ASSY	1
8	WS-22301	WASHER, M5 SPLIT LOCK	3
9	NU-36234	NUT, M5, KEPS	3
10	WS-2467	WASHER, INT. LOCK	1
11	SC-38128	SCREW,PAN PH, METRIC, M5	1
12	5038609	PANEL PKG,EXTERIOR,500-2DI	1
13	TT-34350	THERMOSTAT, 210F HI-LIMIT	1
14	SC-22266	SCREW,M3x0.5X6MM PAN	2

5038605\_2

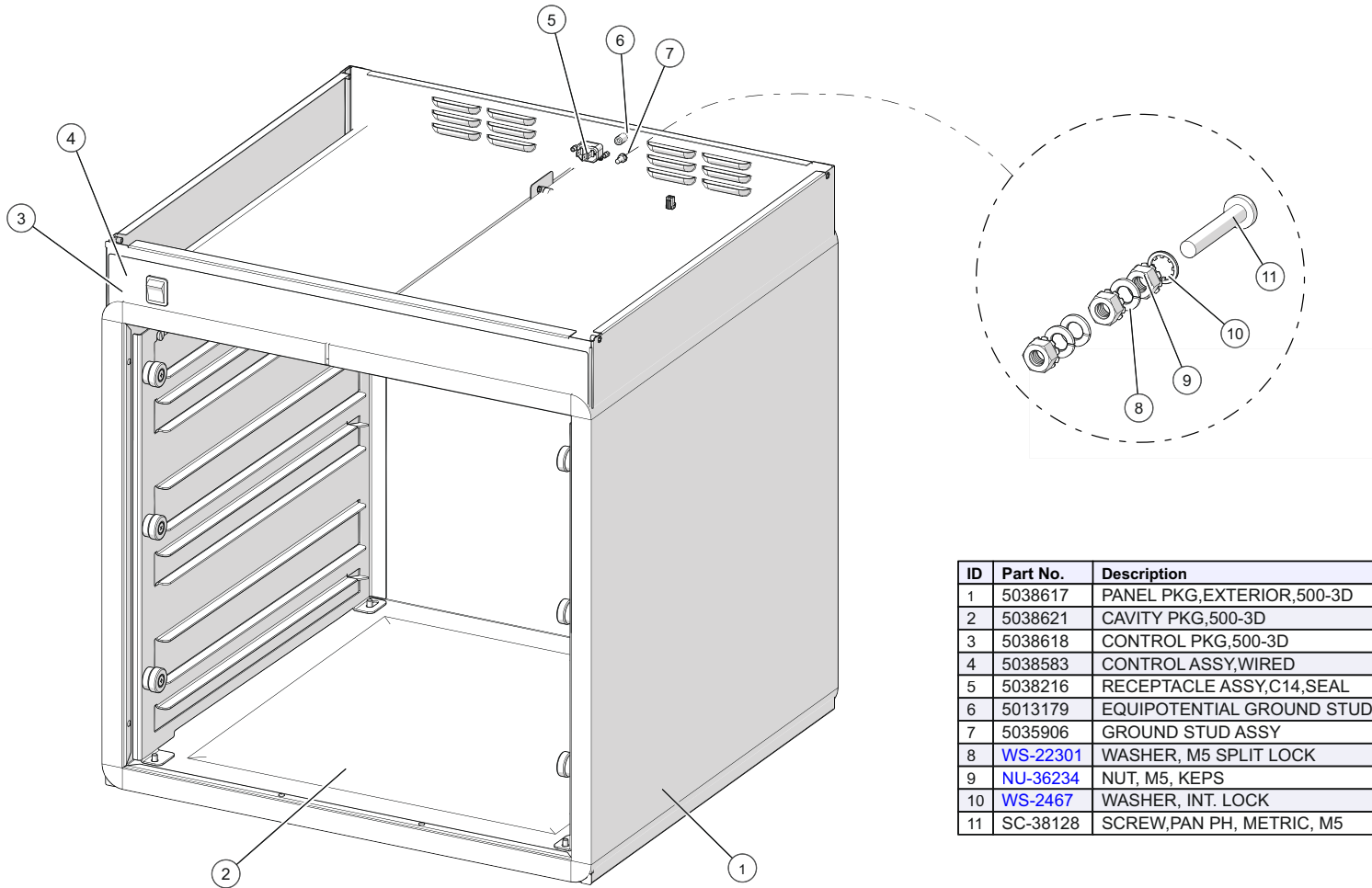
# Core Package, 500-2DI with Casters



ID	Part No.	Description	Qty
1	5038609	PANEL PKG,EXTERIOR,500-2DI	1
2	5026152	KIT, CASTER SUPPORT, 500-DI	1
3	5038608	CAVITY ASSY,HEAT PAD,500-2DI	1
4	5038443	CAVITY PKG,WITH HI-LIMIT	1
5	5038606	CONTROL PKG,500-2DI	1
6	5038607	CONTROL ASSY,WIRED,500-2DI	1
7	5038216	RECEPTACLE ASSY,C14	1
8	5013179	EQUIPOTENTIAL GROUND STUD	1
9	5035906	GROUND STUD ASSY	2
10	WS-22301	WASHER, M5 SPLIT LOCK	3
11	NU-36234	NUT, M5, KEPS	3
12	WS-2467	WASHER, INT. LOCK	1
13	SC-38128	SCREW,PAN PH, METRIC, M5	1

5038616\_0

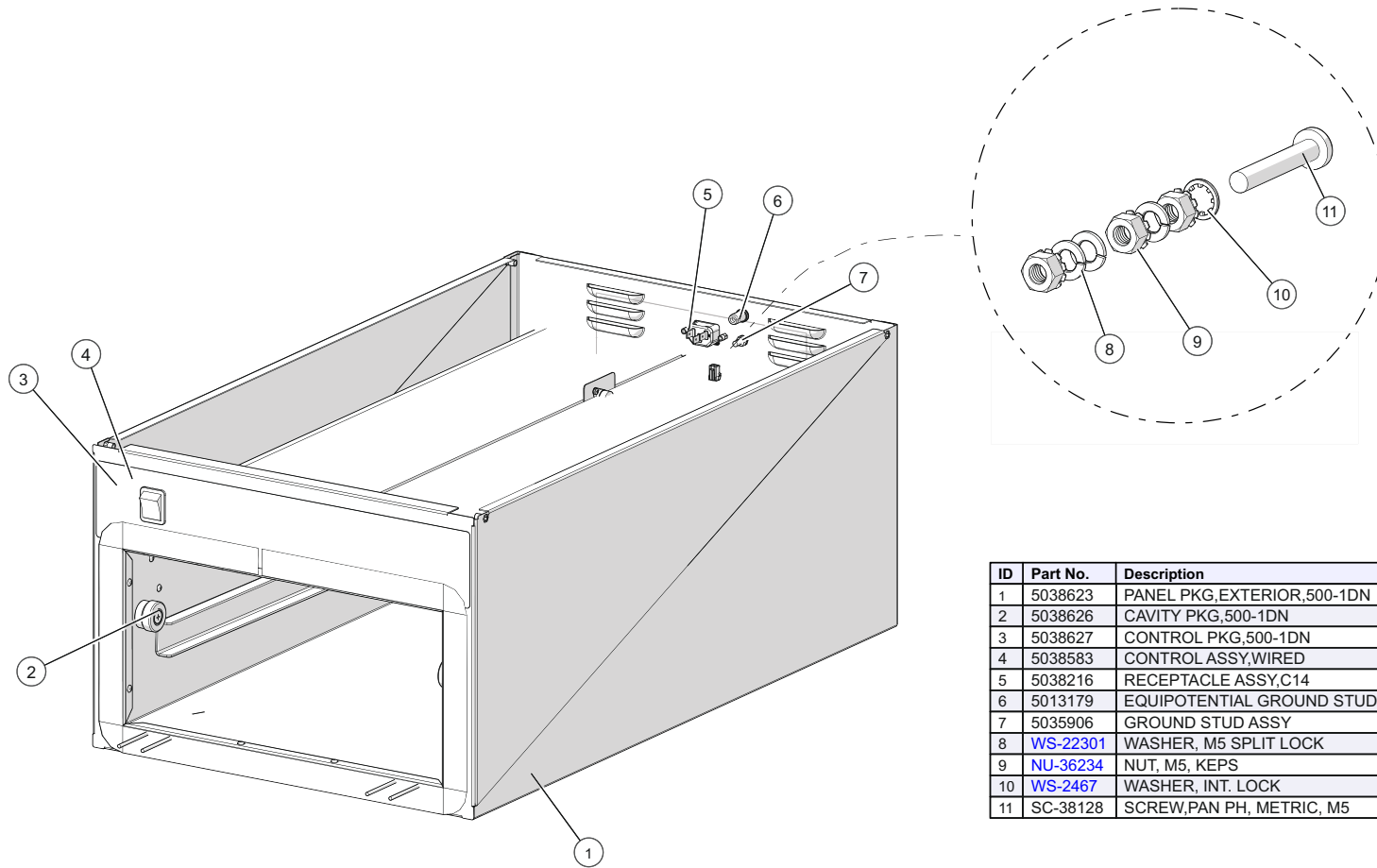
# Core Package, 500-3D



ID	Part No.	Description	Qty
1	5038617	PANEL PKG, EXTERIOR, 500-3D	1
2	5038621	CAVITY PKG, 500-3D	1
3	5038618	CONTROL PKG, 500-3D	1
4	5038583	CONTROL ASSY, WIRED	1
5	5038216	RECEPTACLE ASSY, C14, SEAL	1
6	5013179	EQUIPOTENTIAL GROUND STUD	1
7	5035906	GROUND STUD ASSY	1
8	WS-22301	WASHER, M5 SPLIT LOCK	3
9	NU-36234	NUT, M5, KEPS	3
10	WS-2467	WASHER, INT. LOCK	1
11	SC-38128	SCREW, PAN PH, METRIC, M5	1

5038622\_0

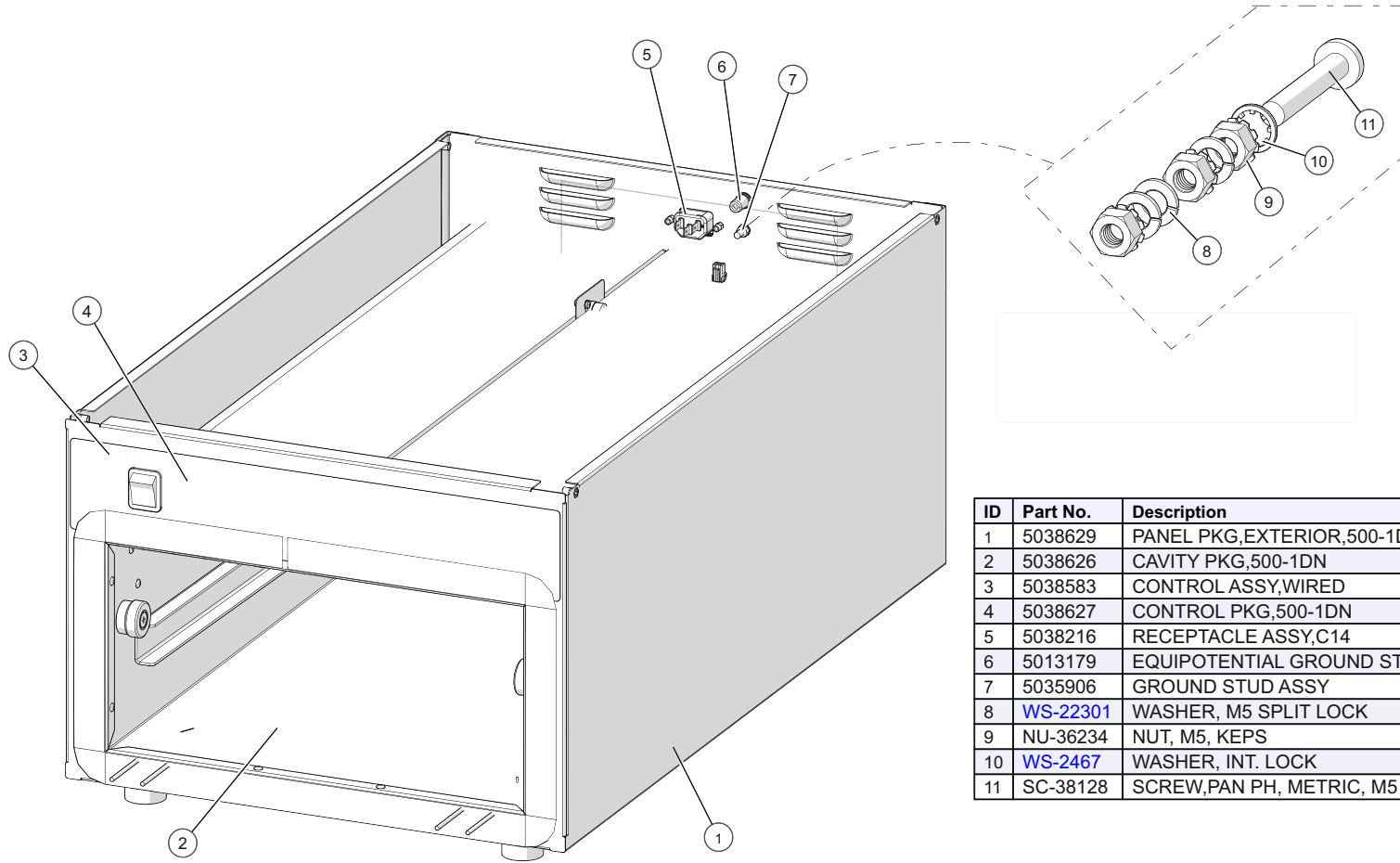
# Core Package, 500-1DN



ID	Part No.	Description	Qty
1	5038623	PANEL PKG, EXTERIOR, 500-1DN	1
2	5038626	CAVITY PKG, 500-1DN	1
3	5038627	CONTROL PKG, 500-1DN	1
4	5038583	CONTROL ASSY, WIRED	1
5	5038216	RECEPTACLE ASSY, C14	1
6	5013179	EQUIPOTENTIAL GROUND STUD	1
7	5035906	GROUND STUD ASSY	1
8	<a href="#">WS-22301</a>	WASHER, M5 SPLIT LOCK	3
9	<a href="#">NU-36234</a>	NUT, M5, KEPS	3
10	<a href="#">WS-2467</a>	WASHER, INT. LOCK	1
11	SC-38128	SCREW, PAN PH, METRIC, M5	1

5038628\_0

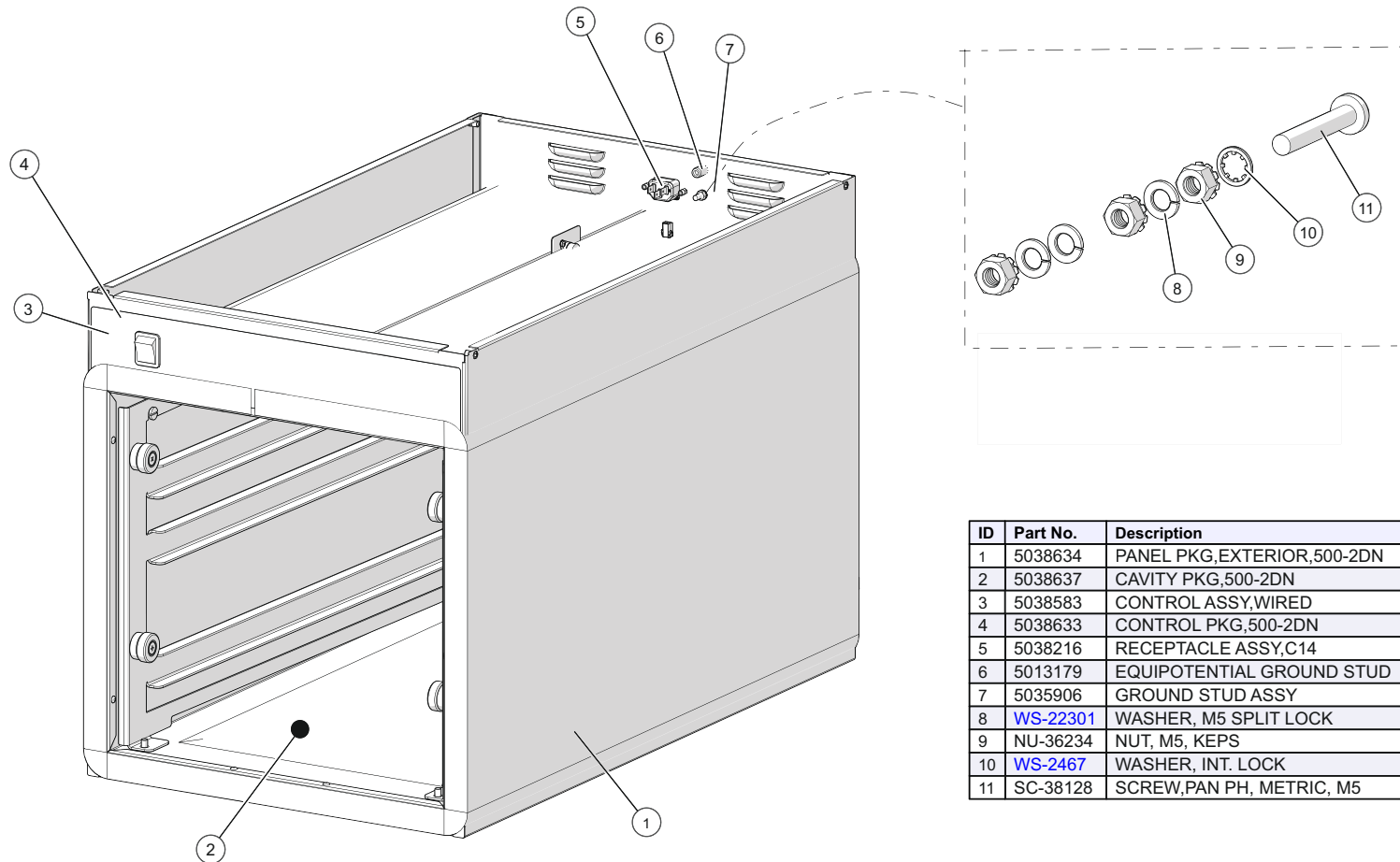
# Core Package, 500-1DN (Specialty)



ID	Part No.	Description	Qty
1	5038629	PANEL PKG,EXTERIOR,500-1DN	1
2	5038626	CAVITY PKG,500-1DN	1
3	5038583	CONTROL ASSY,WIRED	1
4	5038627	CONTROL PKG,500-1DN	1
5	5038216	RECEPTACLE ASSY,C14	1
6	5013179	EQUIPOTENTIAL GROUND STUD	1
7	5035906	GROUND STUD ASSY	1
8	WS-22301	WASHER, M5 SPLIT LOCK	3
9	NU-36234	NUT, M5, KEPS	3
10	WS-2467	WASHER, INT. LOCK	1
11	SC-38128	SCREW,PAN PH, METRIC, M5	1

5038632\_0

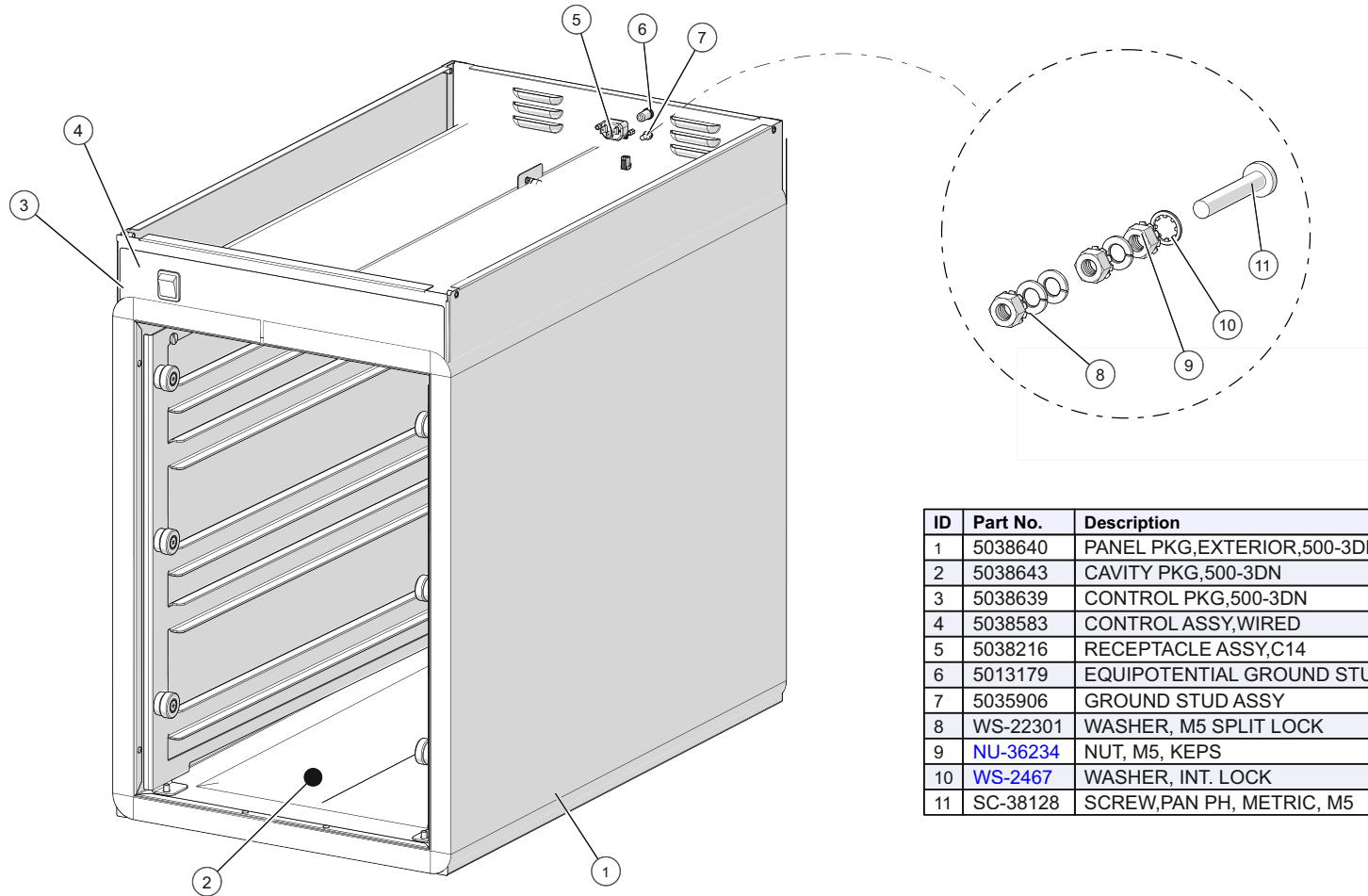
# Core Package, 500-2DN



ID	Part No.	Description	Qty
1	5038634	PANEL PKG,EXTERIOR,500-2DN	1
2	5038637	CAVITY PKG,500-2DN	1
3	5038583	CONTROL ASSY,WIRED	1
4	5038633	CONTROL PKG,500-2DN	1
5	5038216	RECEPTACLE ASSY,C14	1
6	5013179	EQUIPOTENTIAL GROUND STUD	1
7	5035906	GROUND STUD ASSY	1
8	<a href="#">WS-22301</a>	WASHER, M5 SPLIT LOCK	3
9	NU-36234	NUT, M5, KEPS	3
10	<a href="#">WS-2467</a>	WASHER, INT. LOCK	1
11	SC-38128	SCREW,PAN PH, METRIC, M5	1

5038638\_0

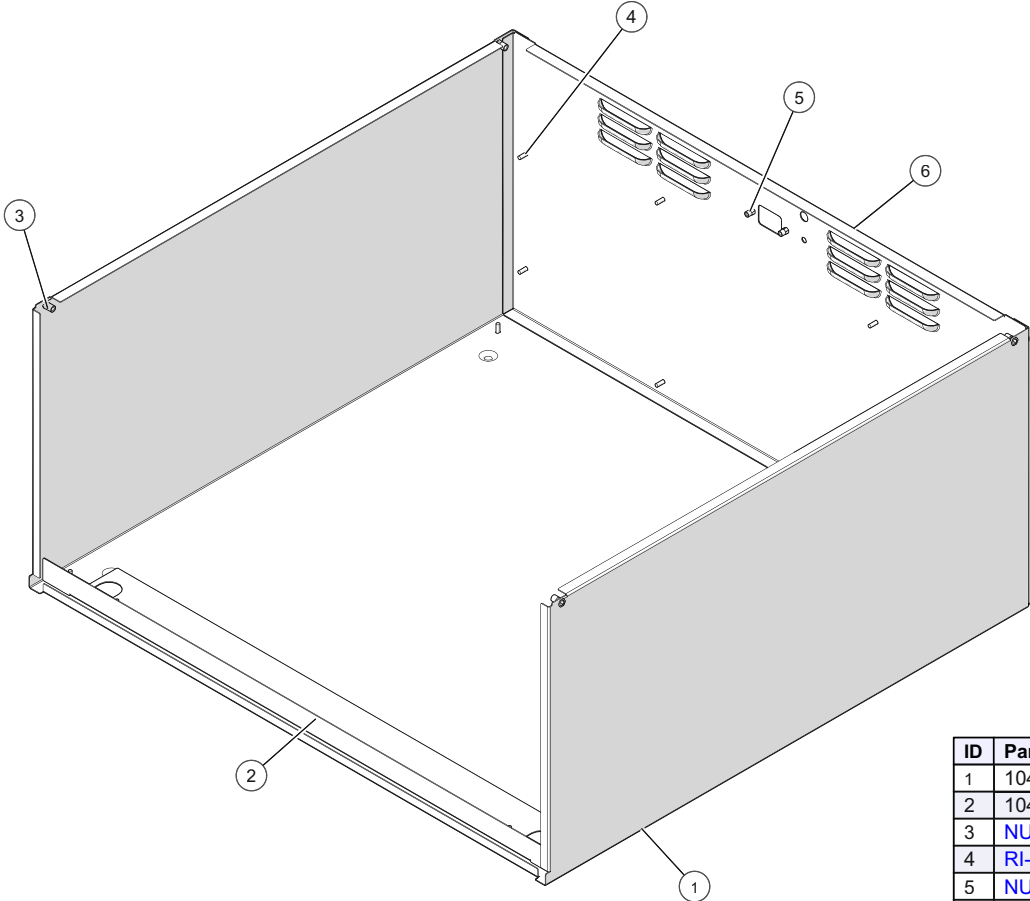
# Core Package, 500-3DN



ID	Part No.	Description	Qty
1	5038640	PANEL PKG, EXTERIOR, 500-3DN	1
2	5038643	CAVITY PKG, 500-3DN	1
3	5038639	CONTROL PKG, 500-3DN	1
4	5038583	CONTROL ASSY, WIRED	1
5	5038216	RECEPTACLE ASSY, C14	1
6	5013179	EQUIPOTENTIAL GROUND STUD	1
7	5035906	GROUND STUD ASSY	1
8	WS-22301	WASHER, M5 SPLIT LOCK	3
9	NU-36234	NUT, M5, KEPS	3
10	WS-2467	WASHER, INT. LOCK	1
11	SC-38128	SCREW, PAN PH, METRIC, M5	1

5038644\_0

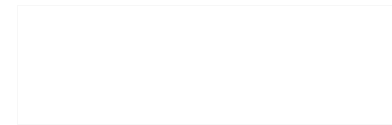
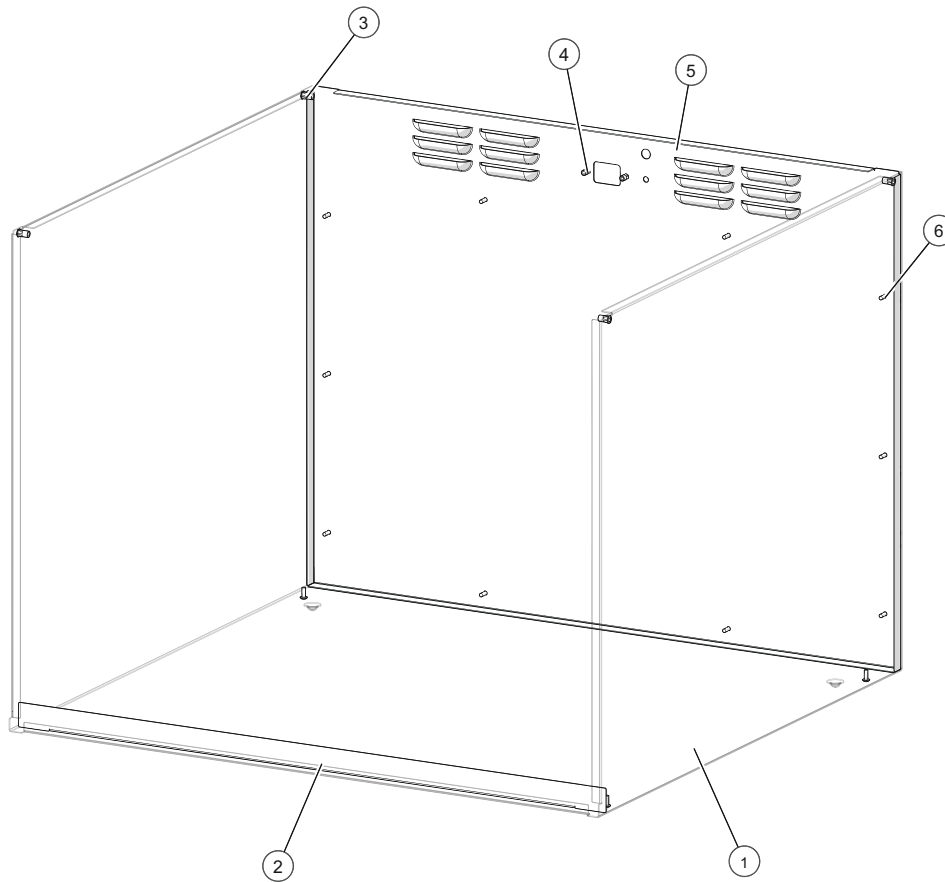
# Panel Package, 500-1D



ID	Part No.	Description	Qty
1	1043938	PANEL,CASING,OUTER,500-1D	1
2	1043937	CHANNEL,500-D	1
3	<a href="#">NU-26866</a>	NUT, HEX INSERT M4	4
4	<a href="#">RI-38125</a>	RIVET,SEALED,.125"	14
5	<a href="#">NU-46432</a>	NUT, HEX INSERT M3	2
6	1043120	PANEL,REAR,500-1D	1

5038578\_0

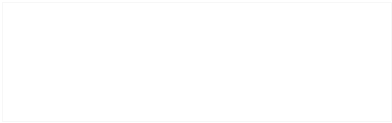
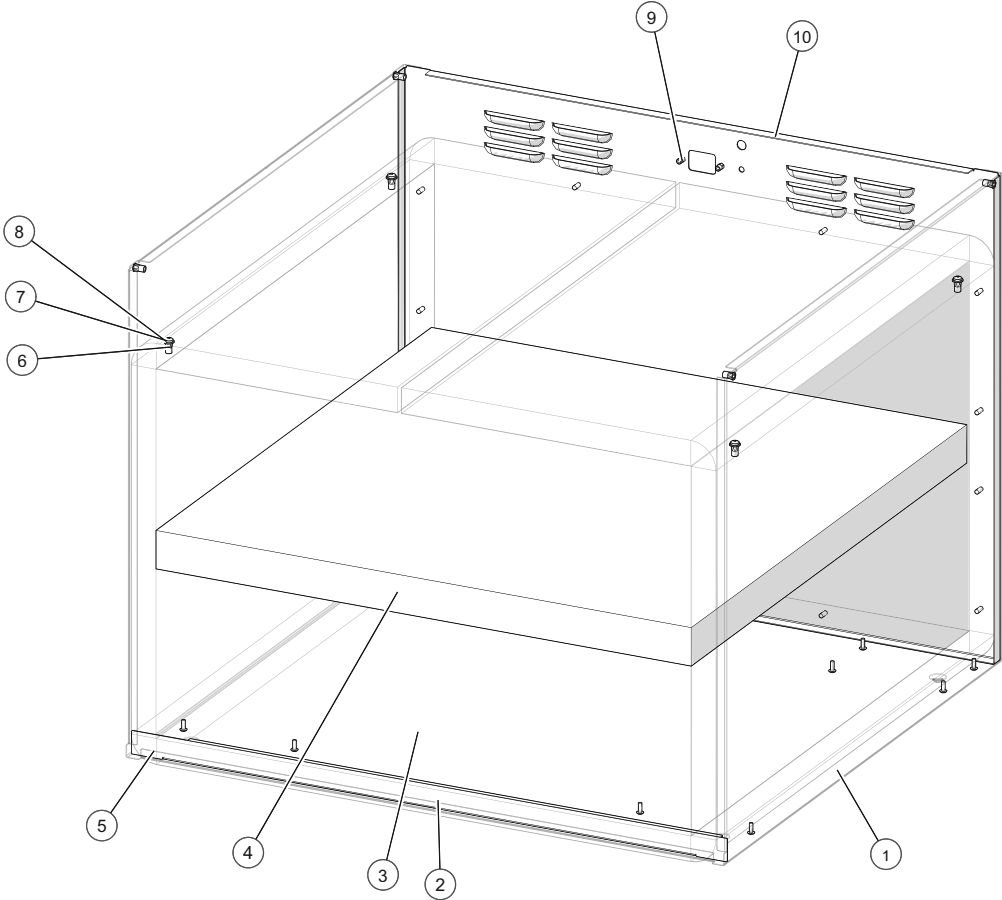
# Panel Package, 500-2D



ID	Part No.	Description	Qty
5	1043118	PANEL,REAR,500-2D	1
2	1043937	CHANNEL,500-D	1
1	1043966	PANEL,CASING,OUTER,500-2D	1
3	NU-26866	NUT, HEX INSERT M4	4
4	NU-46432	NUT, HEX INSERT M3	2
6	<a href="#">RI-38125</a>	RIVET,SEALED,.125"	16

5038602\_0

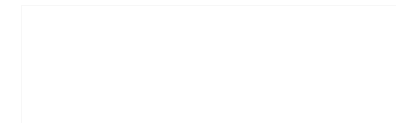
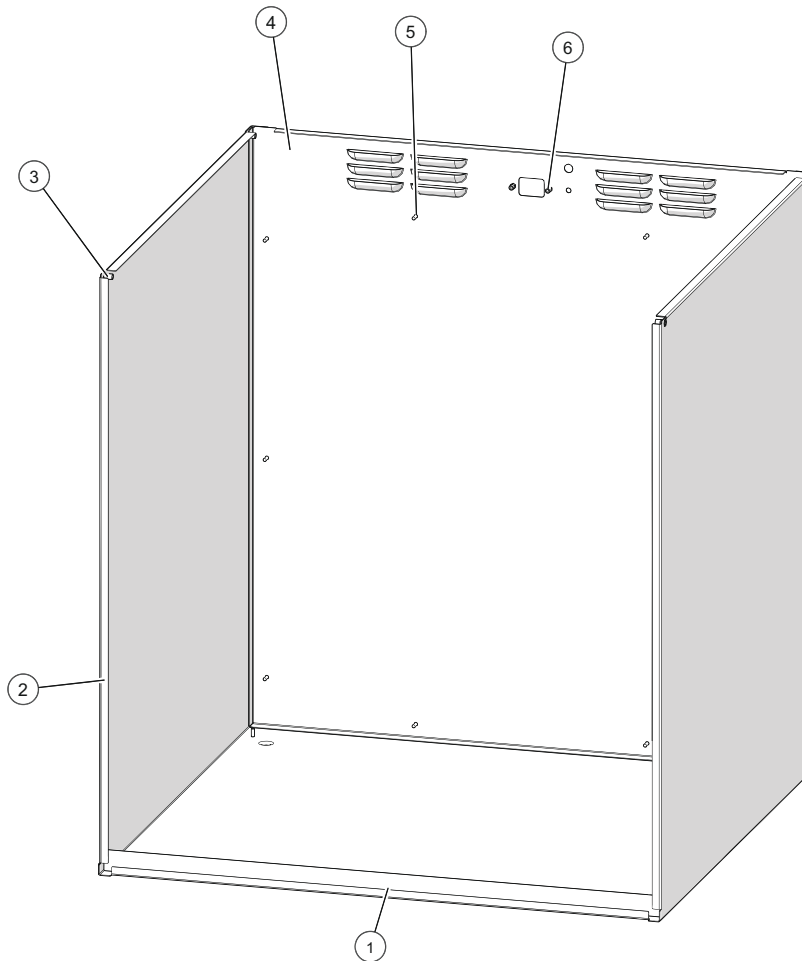
# Panel Package, 500-2DI



ID	Part No.	Description	Qty
1	1043979	PANEL,CASING,OUTER,500-2DI	1
2	1033406	GUTTER	1
3	1043753	INSULATION,CAVITY,500-2DI	1
4	1043754	INSULATION,CAVITY,MID,500-2DI	1
5	RI-38125	RIVET,SEALED, .125"	18
6	NU-26866	NUT, HEX INSERT M4	8
7	SC-22273	SCREW,M4x0.7X10MM PAN	20
8	WS-22295	WASHER, FLAT M5 S/S	4
9	NU-46432	NUT, HEX INSERT M3	2
10	1043691	PANEL,REAR,500-2DI	1

5038609\_0

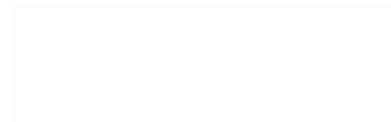
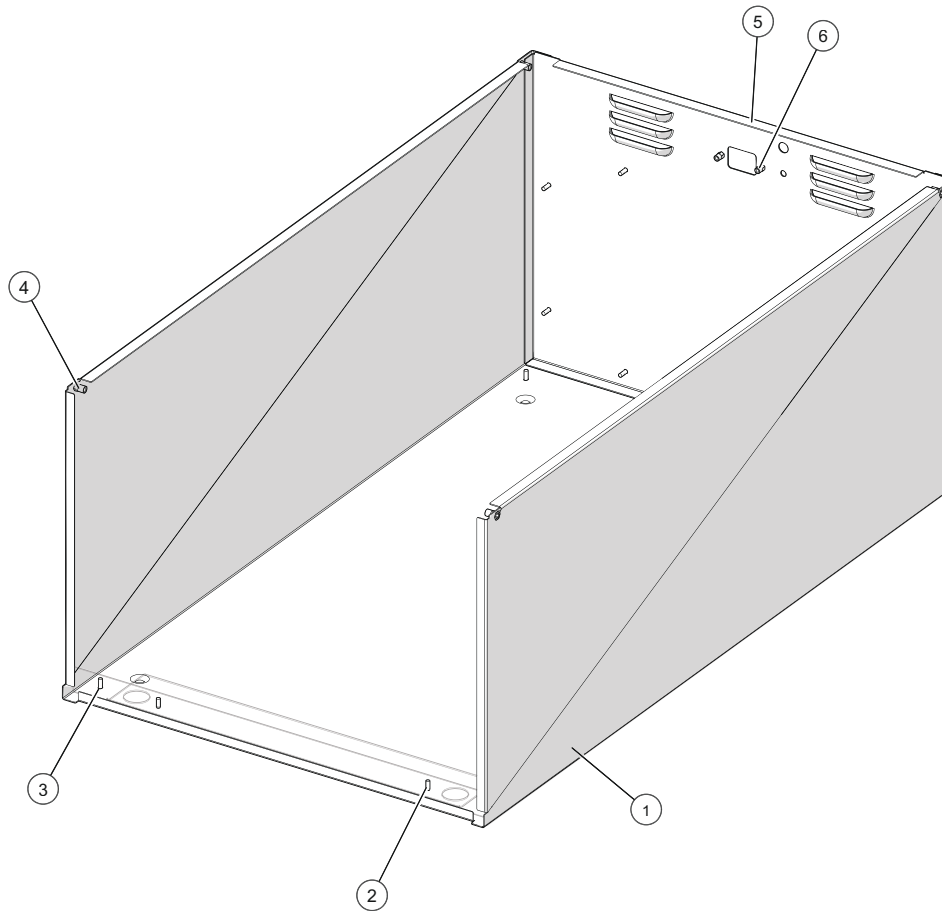
# Panel Package, 500-3D



ID	Part No.	Description	Qty
1	1033406	GUTTER	1
2	1043988	PANEL,CASING,OUTER,500-3D	1
3	NU-26866	NUT, HEX INSERT M4	4
4	1043121	PANEL,REAR,500-3D	1
5	RI-38125	RIVET,SEALED,.125"	16
6	<a href="#">NU-46432</a>	NUT, HEX INSERT M3	2

5038617\_0

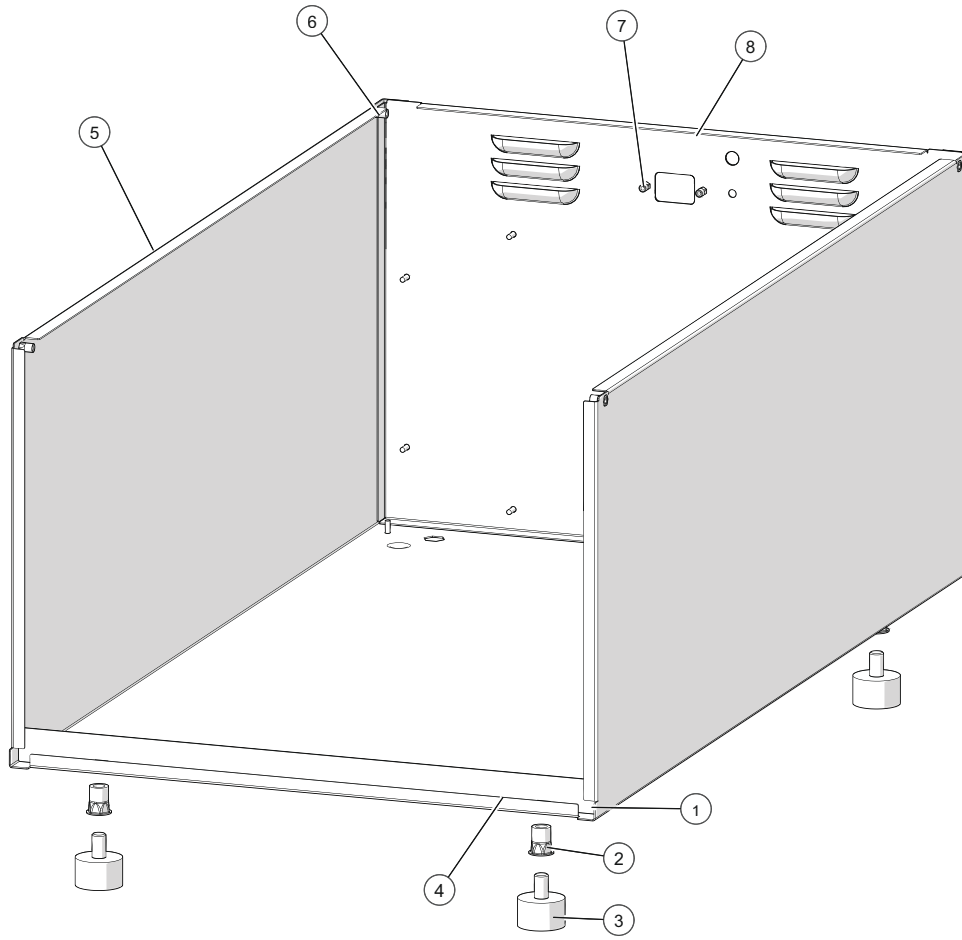
# Panel Package, 500-1DN



ID	Part No.	Description	Qty
1	1043989	PANEL,CASING,OUTER,500-1DN	1
2	1033491	GUTTER	1
3	<a href="#">RI-38125</a>	RIVET,SEALED,.125"	14
4	<a href="#">NU-26866</a>	NUT, HEX INSERT M4	4
5	1043692	PANEL,REAR,500-1DN	1
6	<a href="#">NU-46432</a>	NUT, HEX INSERT M3	2

5038623\_0

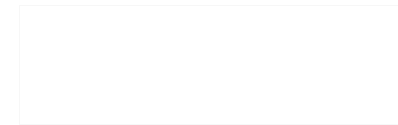
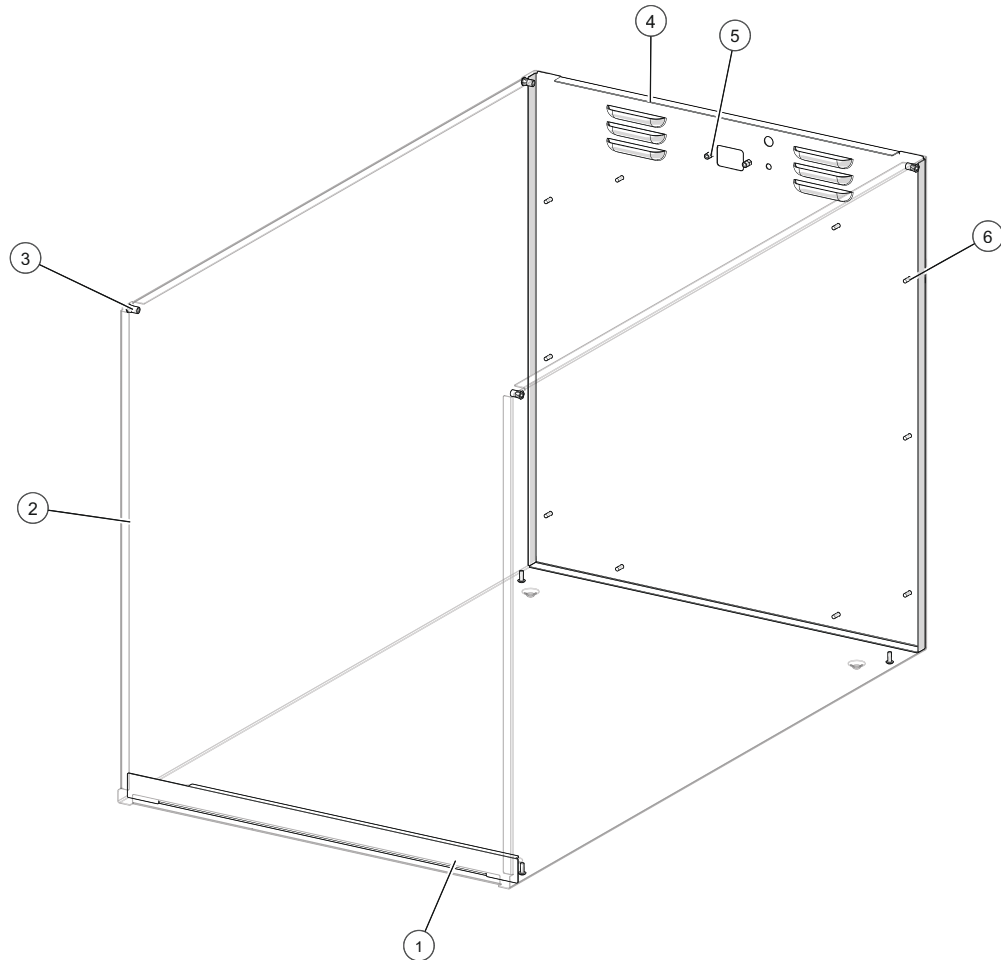
# Panel Package, 500-1DN (Specialty)



ID	Part No.	Description	Qty
1	RI-38125	RIVET,SEALED,.125"	14
2	NU-36369	NUT, 3/8-16 HEX INSERT	4
3	FE-29203	FEET, 3/4" HEIGHT, 3/8-16 X 5/6 THREAD	4
4	1033491	GUTTER	1
5	1043991	PANEL,CASING,OUTER,500-1DN	1
6	NU-26866	NUT, HEX INSERT M4	4
7	NU-46432	NUT, HEX INSERT M3	2
8	1043692	PANEL,REAR,500-1DN	1

5038629\_0

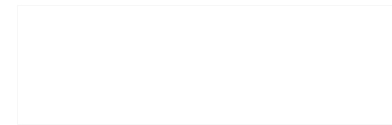
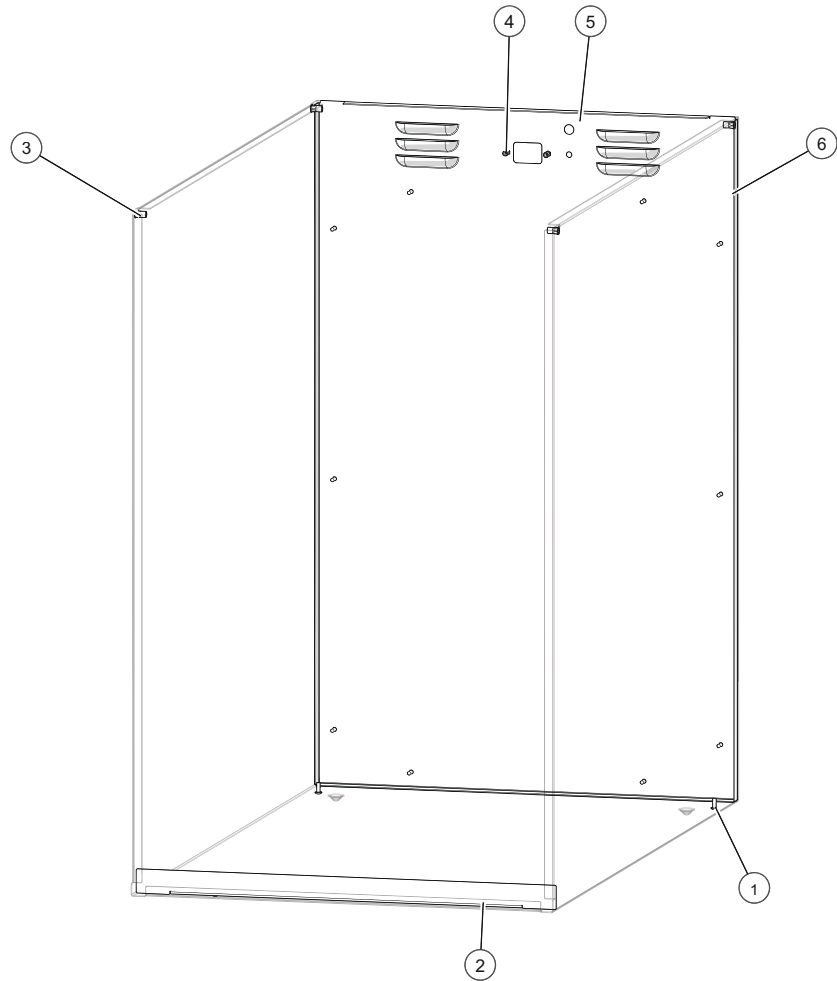
# Panel Package, 500-2DN



ID	Part No.	Description	Qty
1	1033491	GUTTER	1
2	1043995	PANEL,CASING,OUTER,500-2DN	1
3	NU-26866	NUT, HEX INSERT M4	4
4	1043694	PANEL,REAR,500-2DN	1
5	NU-46432	NUT, HEX INSERT M3	2
6	RI-38125	RIVET,SEALED,.125"	16

5038634\_0

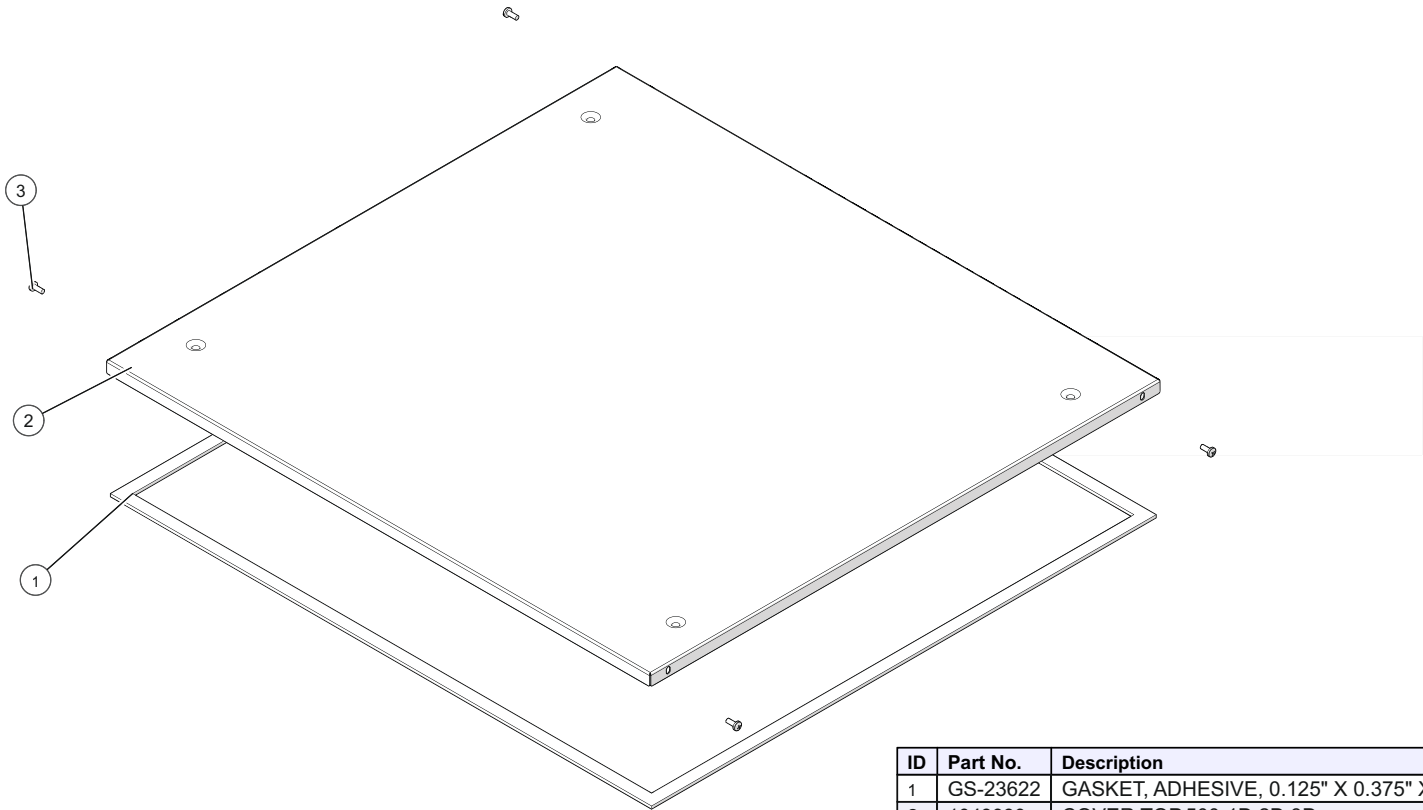
# Panel Package, 500-3DN



ID	Part No.	Description	Qty
1	<a href="#">RI-38125</a>	RIVET,SEALED,.125"	16
2	1033491	GUTTER	1
3	<a href="#">NU-26866</a>	NUT, HEX INSERT M4	4
4	<a href="#">NU-46432</a>	NUT, HEX INSERT M3	2
5	1043695	PANEL,REAR,500-3DN	1
6	1043996	PANEL,CASING,OUTER,500-3DN	1

5038640\_0

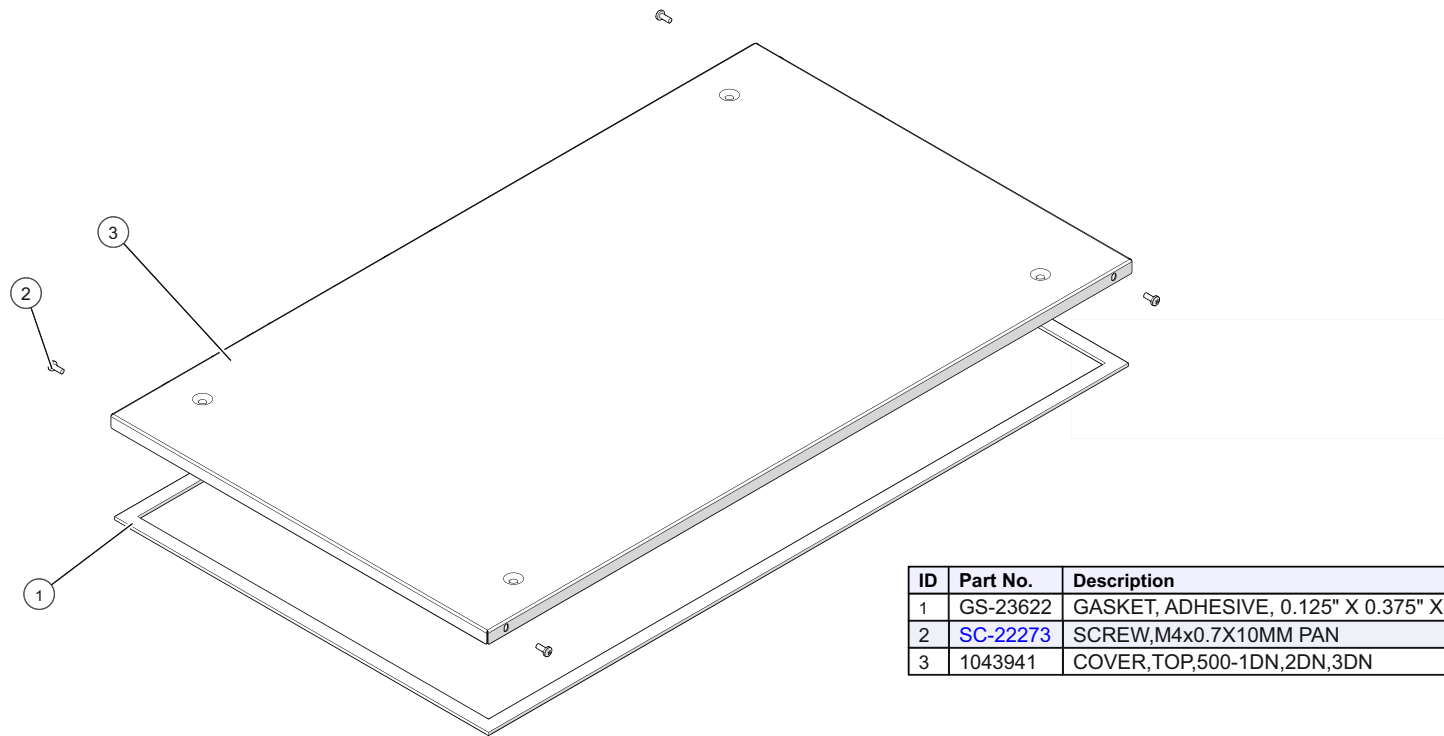
# Cover Assembly, Top (All 500-D and DI models)



ID	Part No.	Description	Qty
1	GS-23622	GASKET, ADHESIVE, 0.125" X 0.375" X 94"	1
2	1043939	COVER, TOP, 500-1D, 2D, 3D	1
3	SC-22273	SCREW, M4x0.7X10MM PAN	4

5038580\_0

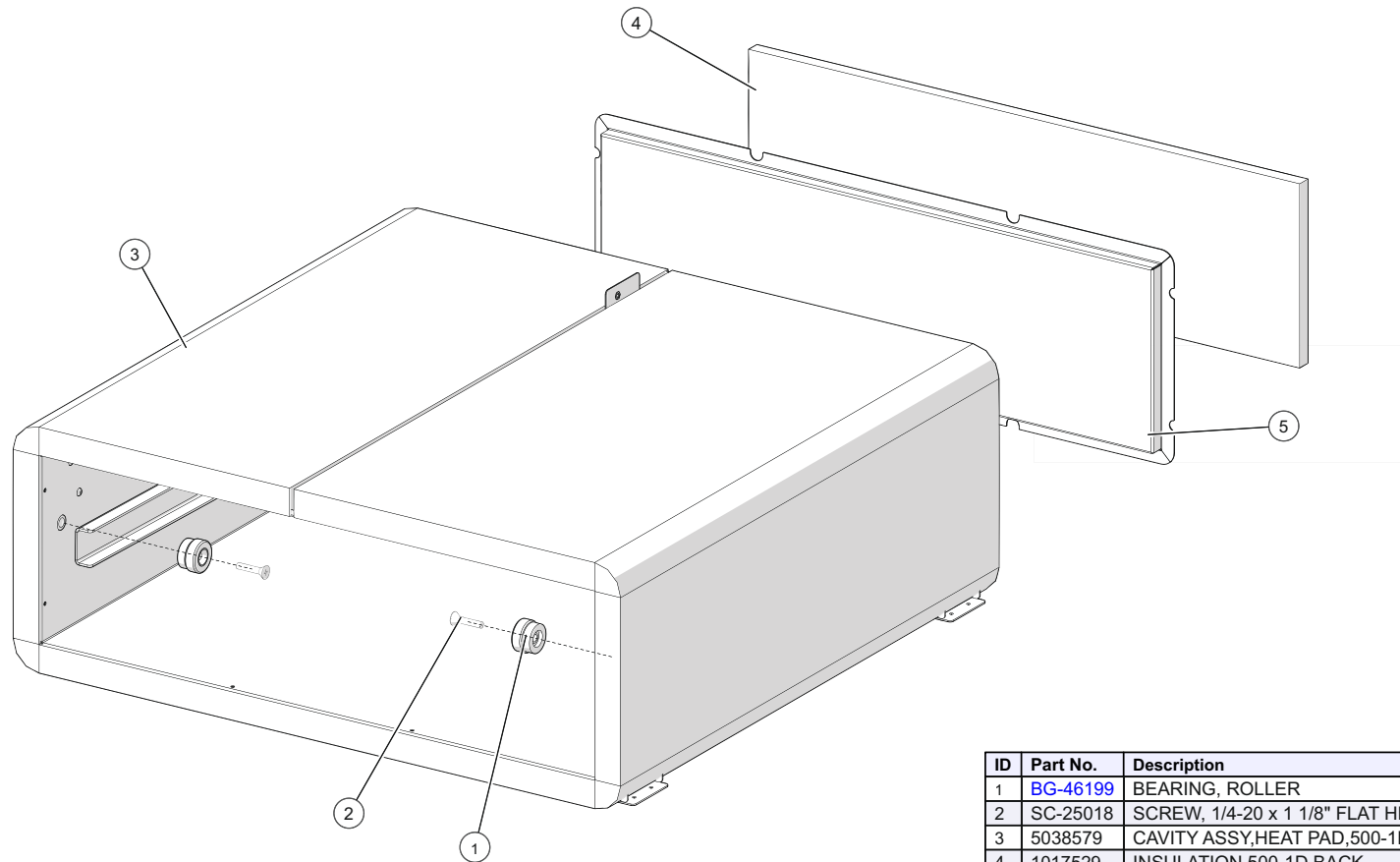
## Cover Assembly, Top (All 500-DN models)



ID	Part No.	Description	Qty
1	GS-23622	GASKET, ADHESIVE, 0.125" X 0.375" X 88"	1
2	<a href="#">SC-22273</a>	SCREW,M4x0.7X10MM PAN	4
3	1043941	COVER,TOP,500-1DN,2DN,3DN	1

5038584\_0

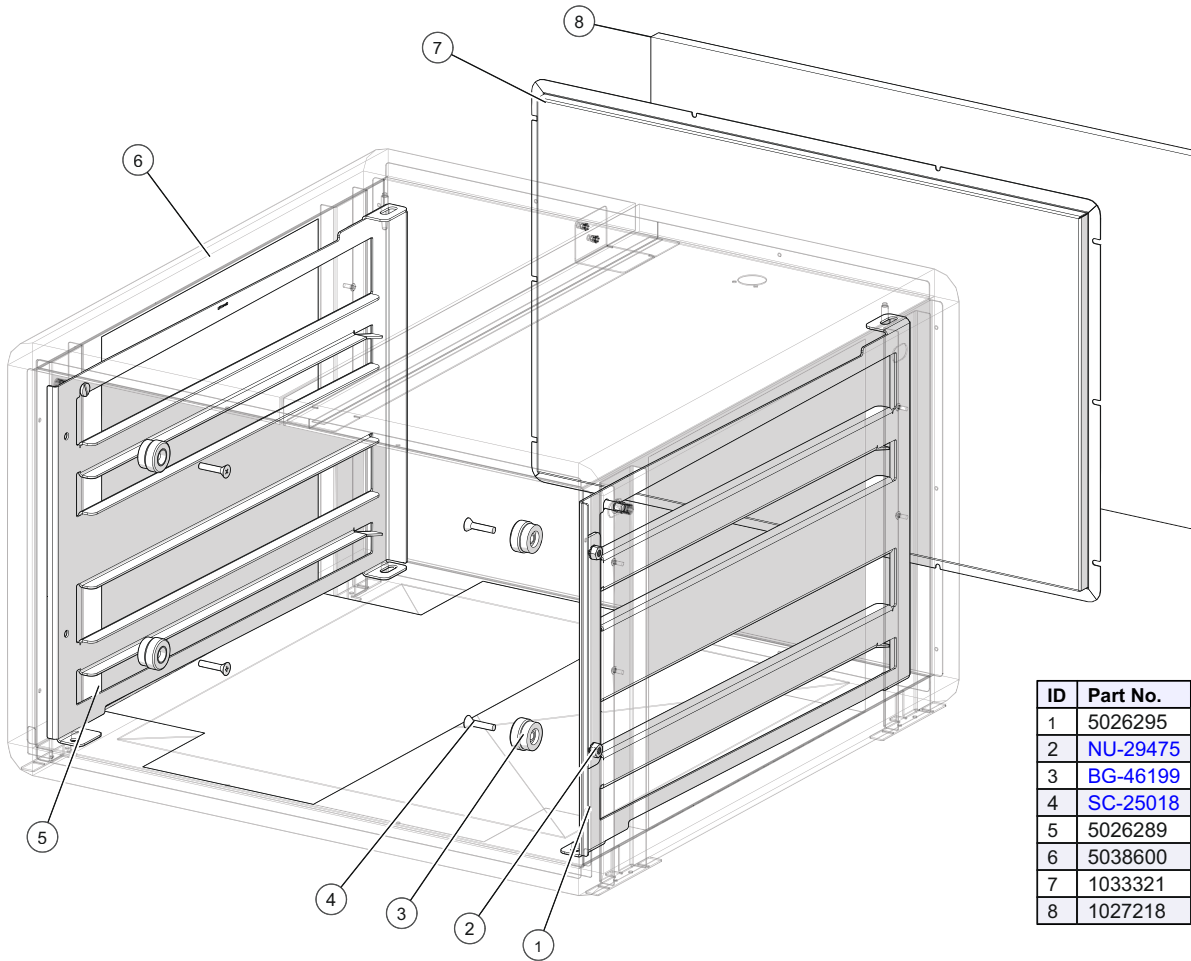
# Cavity Package, 500-1D



ID	Part No.	Description	Qty
1	BG-46199	BEARING, ROLLER	2
2	SC-25018	SCREW, 1/4-20 x 1 1/8" FLAT HD	2
3	5038579	CAVITY ASSY,HEAT PAD,500-1D	1
4	1017529	INSULATION,500-1D,BACK,	1
5	1012667	PANEL, INNER BACK, 500-1D	1

5038577\_0

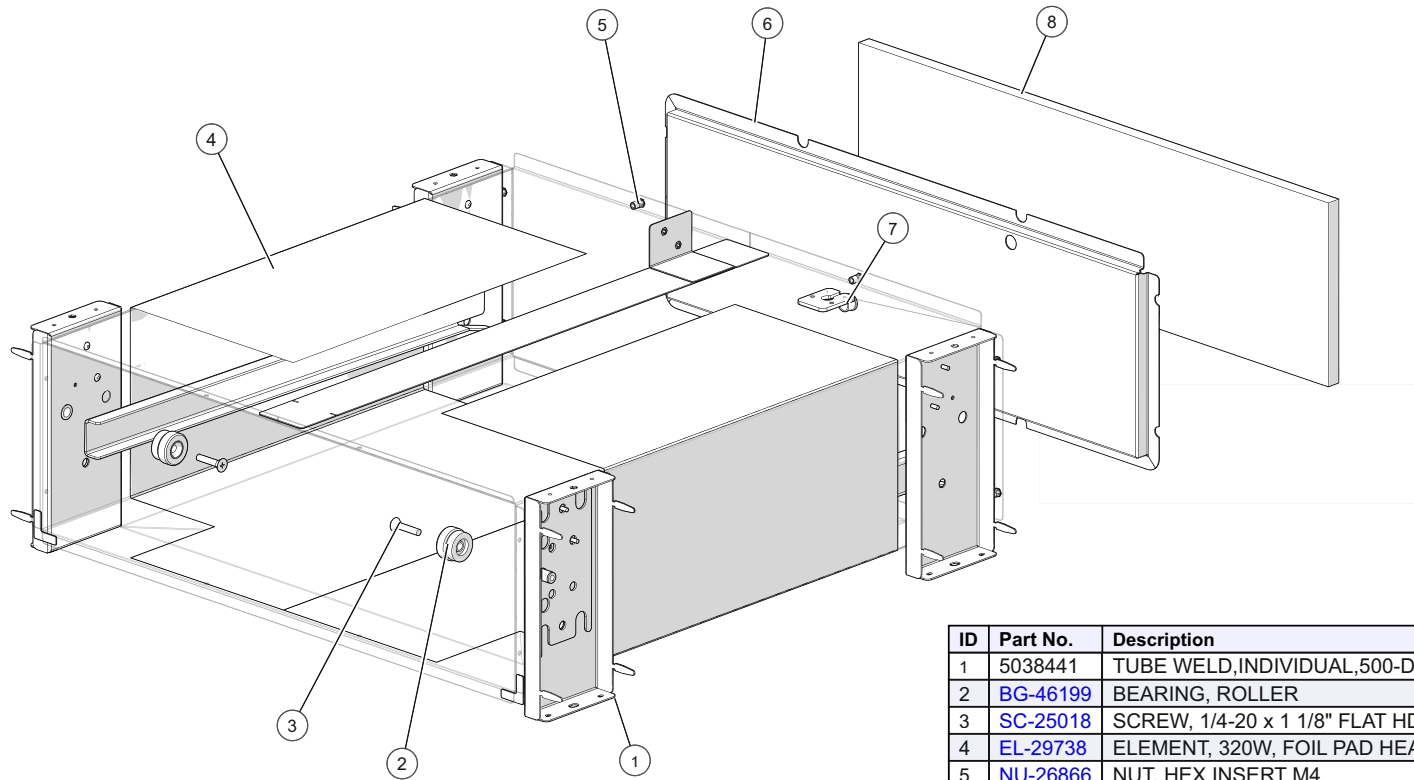
# Cavity Package, 500-2D



ID	Part No.	Description	Qty
1	5026295	RAIL, RIGHT, ASSEMBLY	1
2	<a href="#">NU-29475</a>	1/4"-20 KEPS NUT	4
3	<a href="#">BG-46199</a>	BEARING, ROLLER	4
4	<a href="#">SC-25018</a>	SCREW, 1/4-20 x 1 1/8" FLAT HD	4
5	5026289	RAIL, LEFT, ASSEMBLY	1
6	5038600	CAVITY ASSY,HEAT PAD,500-2D	1
7	1033321	PANEL, INNER BACK	1
8	1027218	INSULATION,500-2D,BACK	1

5038599\_0

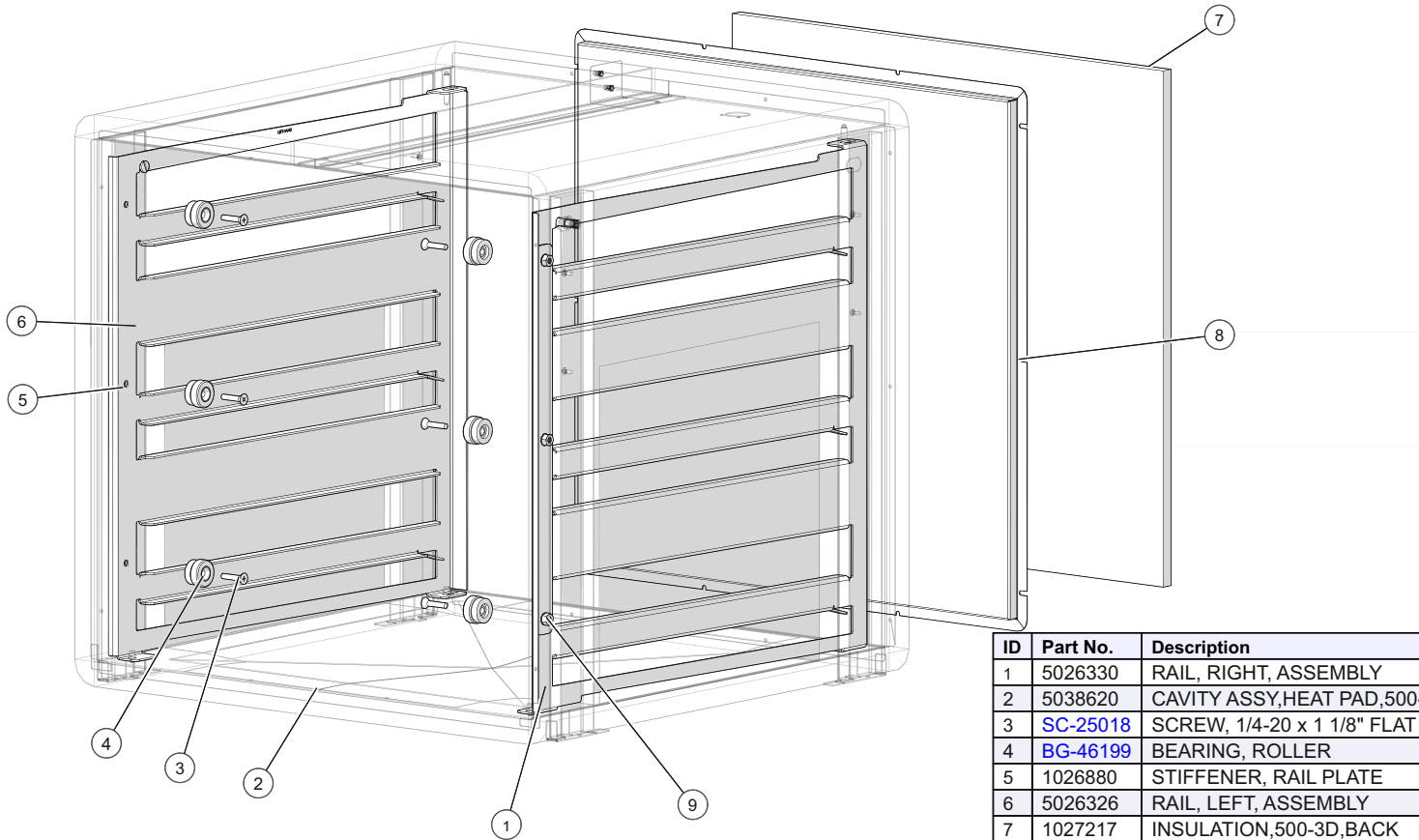
# Cavity Package, 500-2DI



ID	Part No.	Description	Qty
1	5038441	TUBE WELD,INDIVIDUAL,500-DI	1
2	<a href="#">BG-46199</a>	BEARING, ROLLER	2
3	<a href="#">SC-25018</a>	SCREW, 1/4-20 x 1 1/8" FLAT HD	2
4	<a href="#">EL-29738</a>	ELEMENT, 320W, FOIL PAD HEATER	2
5	<a href="#">NU-26866</a>	NUT, HEX INSERT M4	8
6	1029429	PANEL, INNER BACK, 500-2DI	1
7	<a href="#">BU-3006</a>	1/2" HOLE BUSHING	1
8	1017529	INSULATION,500-1D,BACK,	1

5038443\_0

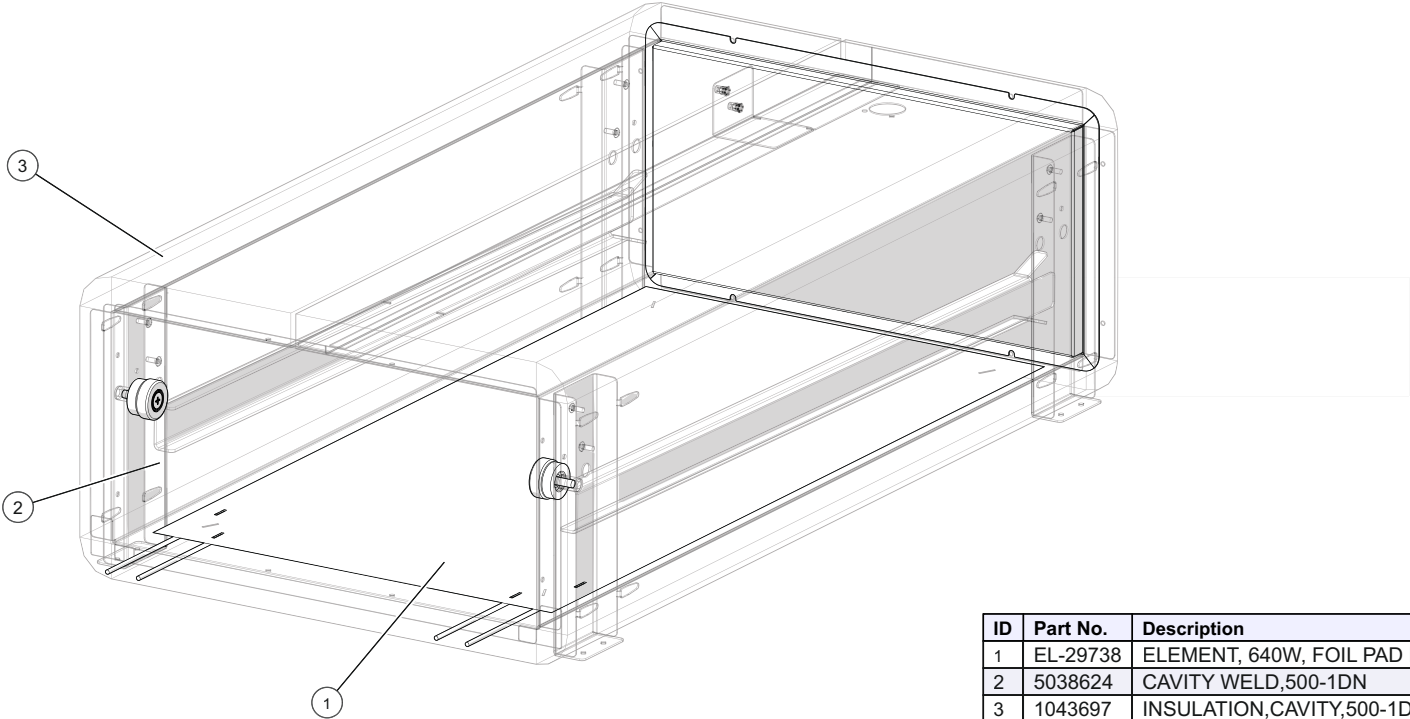
# Cavity Package, 500-3D



ID	Part No.	Description	Qty
1	5026330	RAIL, RIGHT, ASSEMBLY	1
2	5038620	CAVITY ASSY,HEAT PAD,500-3D	1
3	SC-25018	SCREW, 1/4-20 x 1 1/8" FLAT HD	6
4	BG-46199	BEARING, ROLLER	6
5	1026880	STIFFENER, RAIL PLATE	2
6	5026326	RAIL, LEFT, ASSEMBLY	1
7	1027217	INSULATION,500-3D,BACK	1
8	1033429	PANEL, INNER BACK	1
9	NU-29475	1/4"-20 KEPS NUT	6

5038621\_0

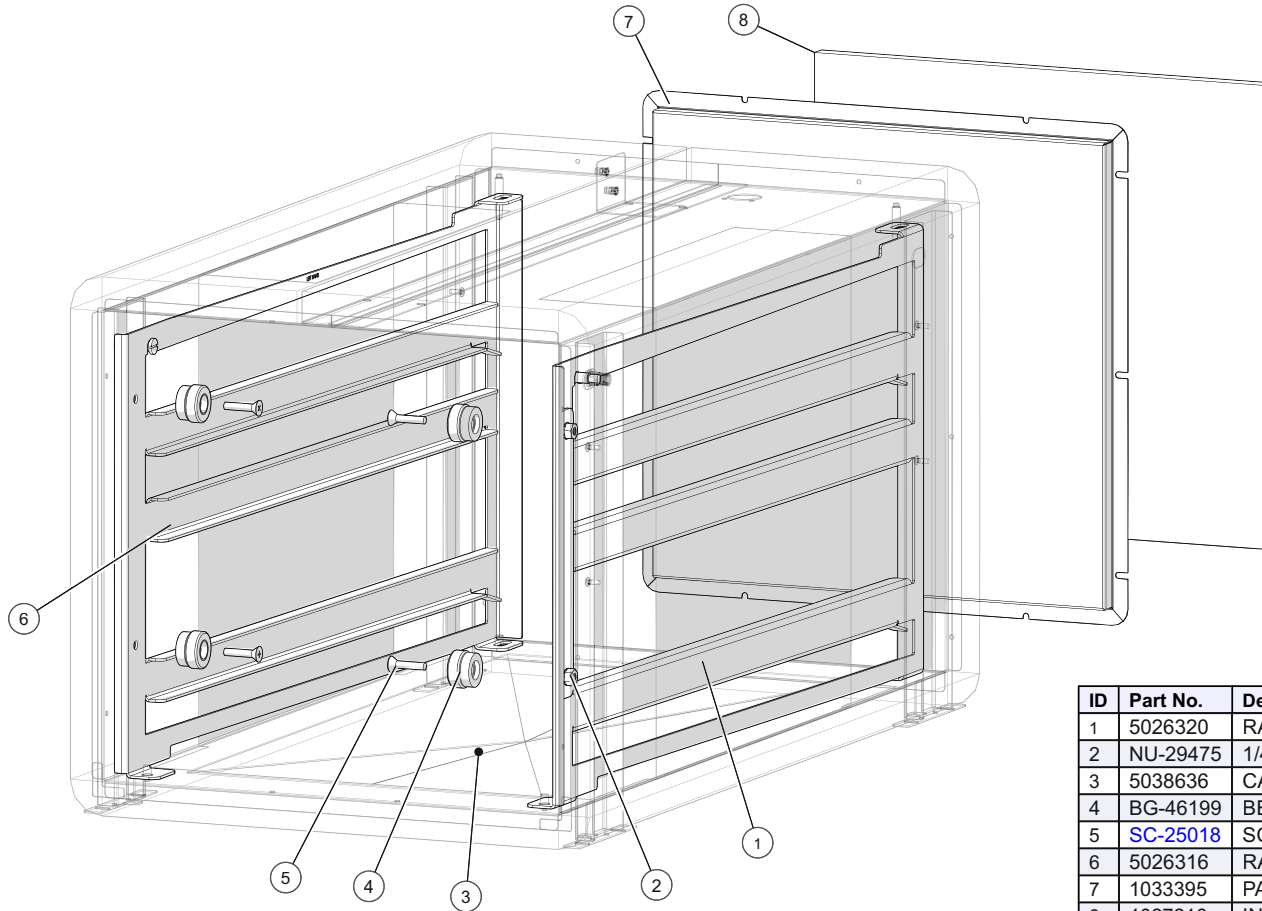
# Cavity Package, 500-1DN



ID	Part No.	Description	Qty
1	EL-29738	ELEMENT, 640W, FOIL PAD HEATER	1
2	5038624	CAVITY WELD,500-1DN	1
3	1043697	INSULATION,CAVITY,500-1DN	1

5038626\_0

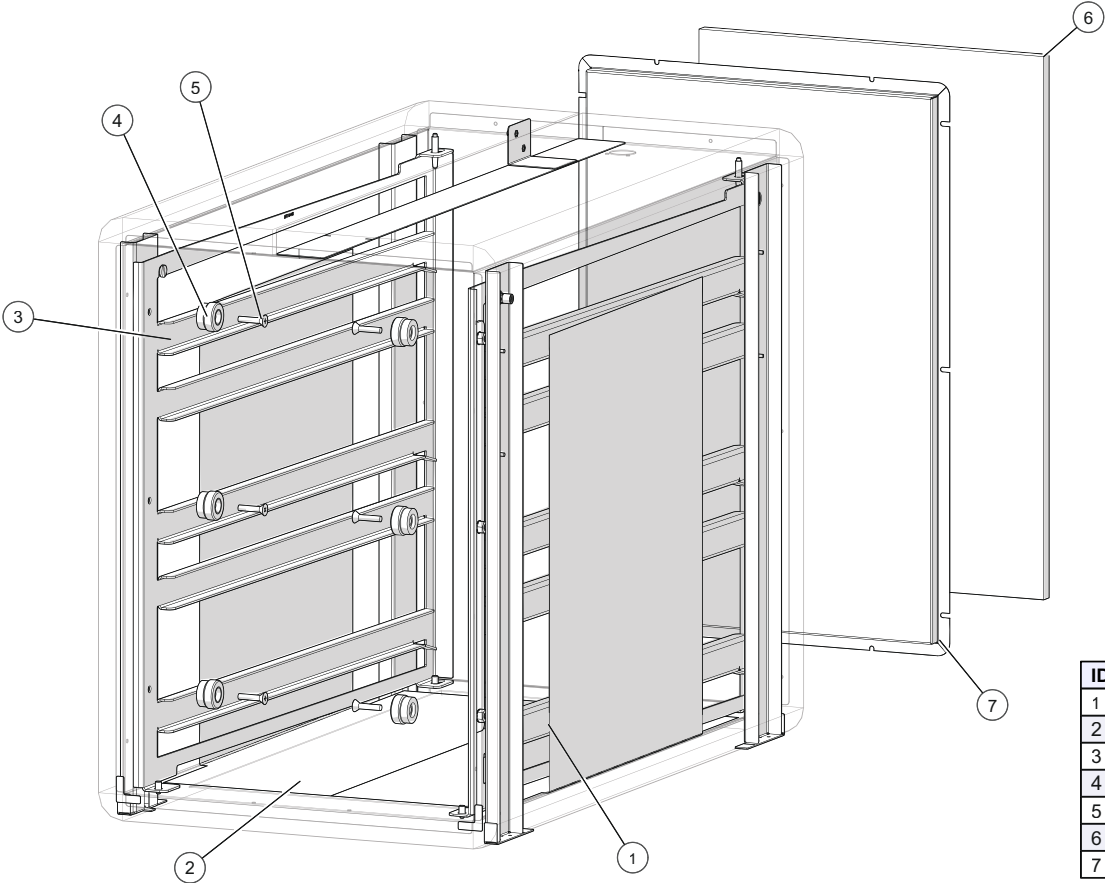
# Cavity Package, 500-2DN



ID	Part No.	Description	Qty
1	5026320	RAIL, RIGHT, ASSEMBLY	1
2	NU-29475	1/4"-20 KEPS NUT	4
3	5038636	CAVITY ASSY,HEAT PAD,500-2DN	1
4	BG-46199	BEARING, ROLLER	4
5	<a href="#">SC-25018</a>	SCREW, 1/4-20 x 1 1/8" FLAT HD	4
6	5026316	RAIL, LEFT, ASSEMBLY	1
7	1033395	PANEL, INNER BACK	1
8	1027216	INSULATION,500-2DN,BACK	1

5038637\_0

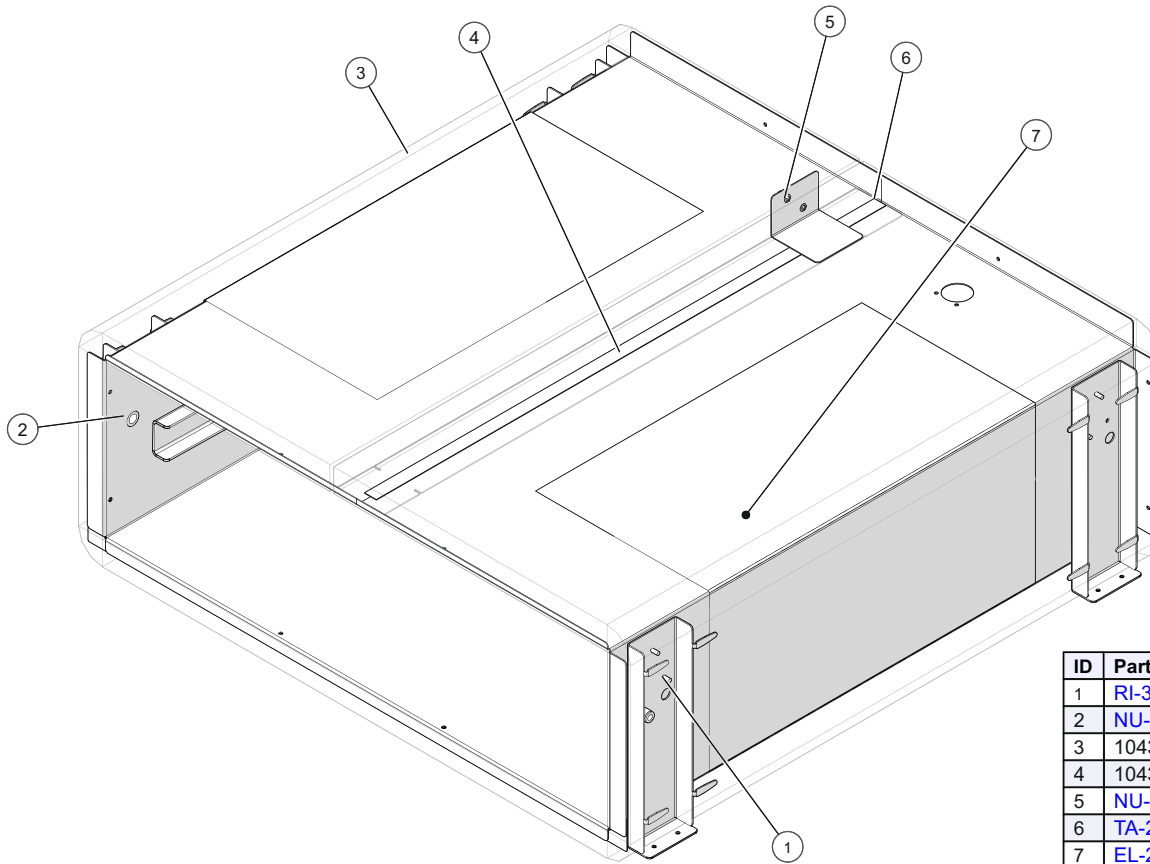
# Cavity Package, 500-3DN



ID	Part No.	Description	Qty
1	5026339	RAIL, RIGHT, ASSEMBLY	1
2	5038642	CAVITY ASSY,HEAT PAD,500-3DN	1
3	5026336	RAIL, LEFT, ASSEMBLY	1
4	BG-46199	BEARING, ROLLER	6
5	SC-25018	SCREW, 1/4-20 x 1 1/8" FLAT HD	6
6	1027219	INSULATION,500-3DN,BACK	1
7	1033483	PANEL, INNER BACK	1

5038643\_0

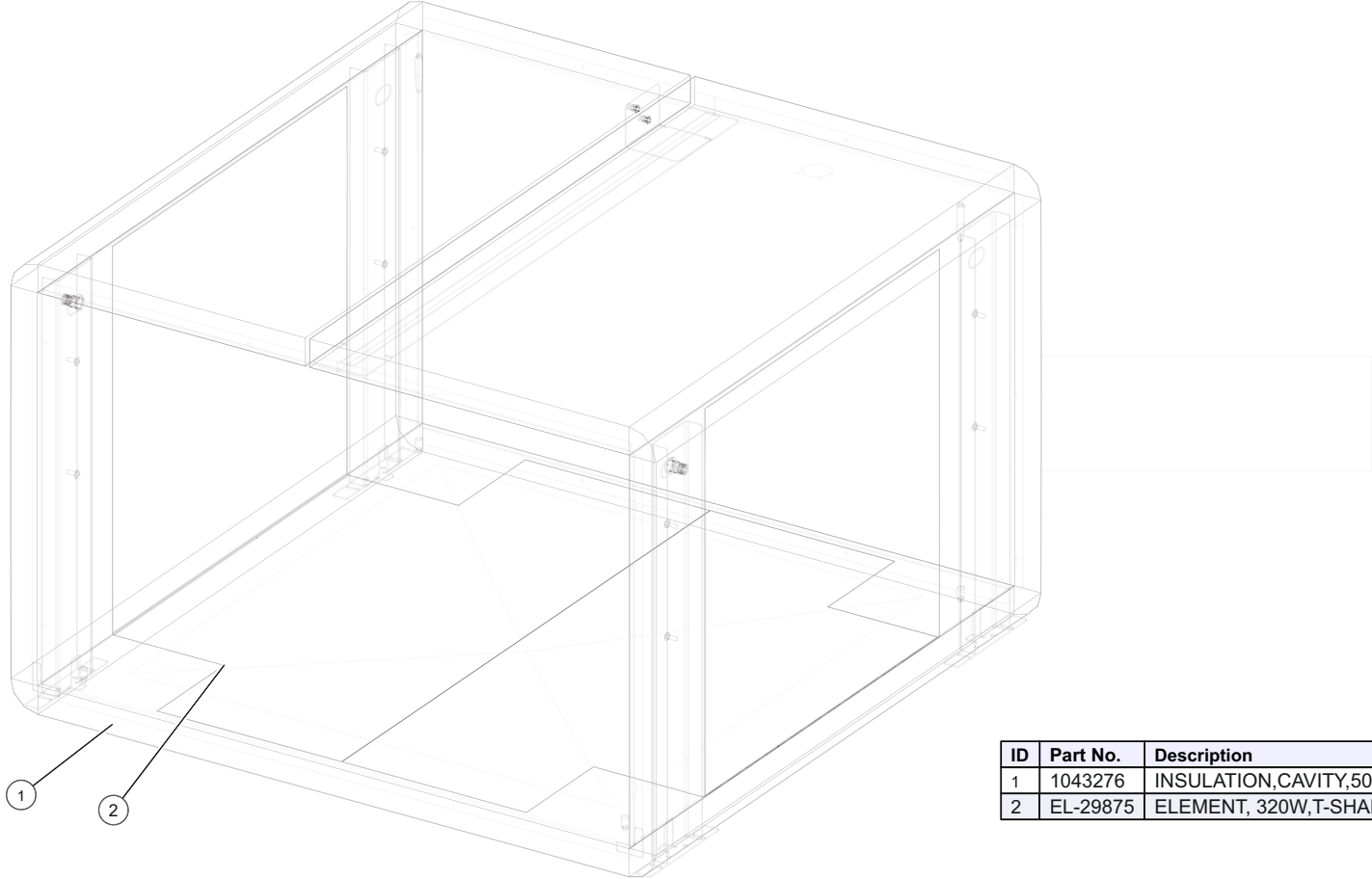
# Cavity Assembly, Heat Pad, 500-1D



ID	Part No.	Description	Qty
1	<a href="#">RI-38125</a>	RIVET,SEALED,.125"	8
2	<a href="#">NU-24613</a>	1/4-20 INSERT NUT	2
3	1043685	INSULATION,CAVITY,500-1D	1
4	1043940	PLATE,SEAM STRIP,500-1D,2D,3D	1
5	<a href="#">NU-46432</a>	NUT, HEX INSERT M3	2
6	<a href="#">TA-24637</a>	1/2" VHB TAPE - 21.875" LENGTH	1
7	<a href="#">EL-29738</a>	ELEMENT, 320W, FOIL PAD HEATER	2

5038579\_0

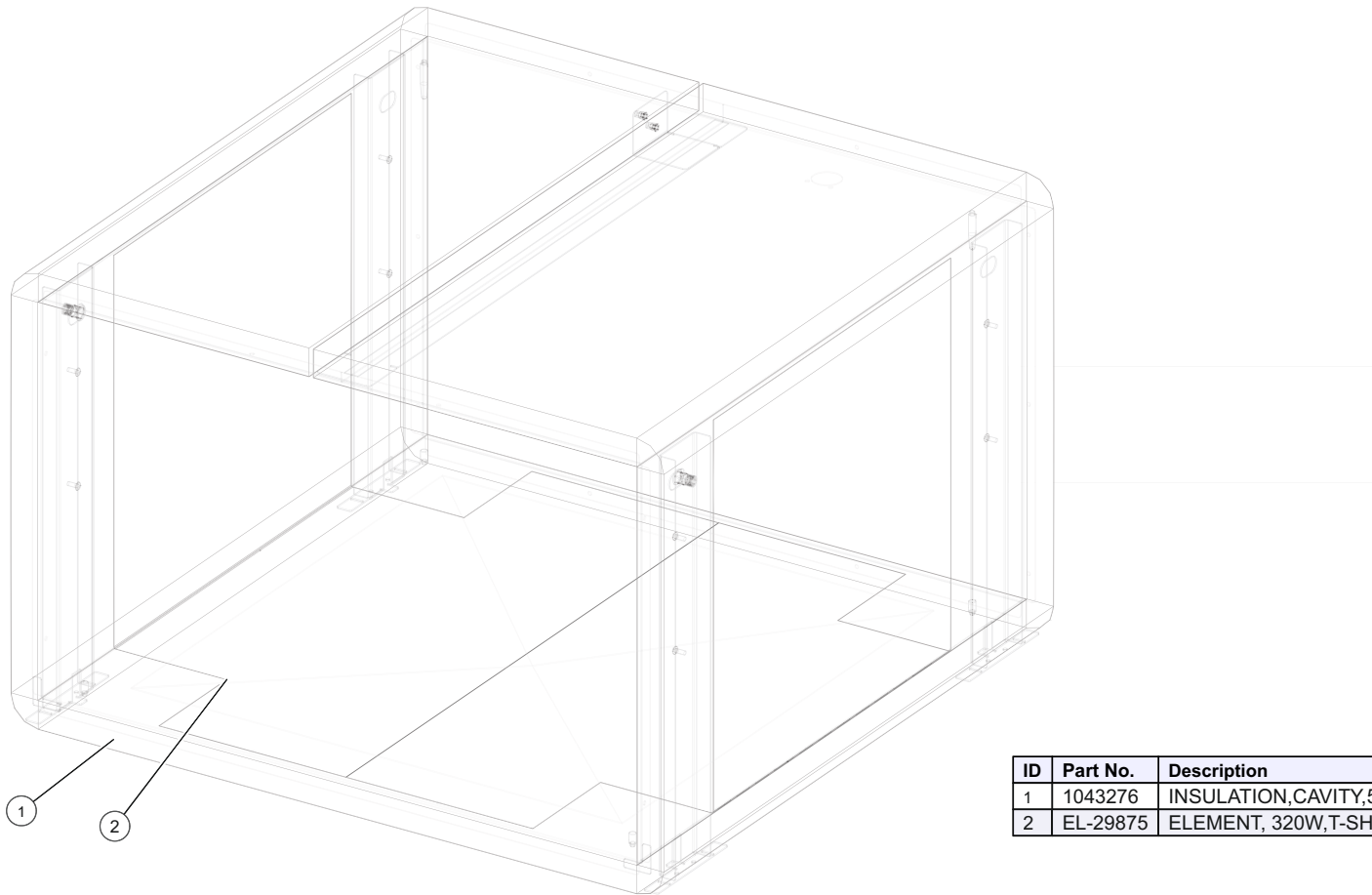
# Cavity Assembly, Heat Pad, 500-2D



ID	Part No.	Description	Qty
1	1043276	INSULATION,CAVITY,500-2D	1
2	EL-29875	ELEMENT, 320W,T-SHAPE	2

5038600\_0

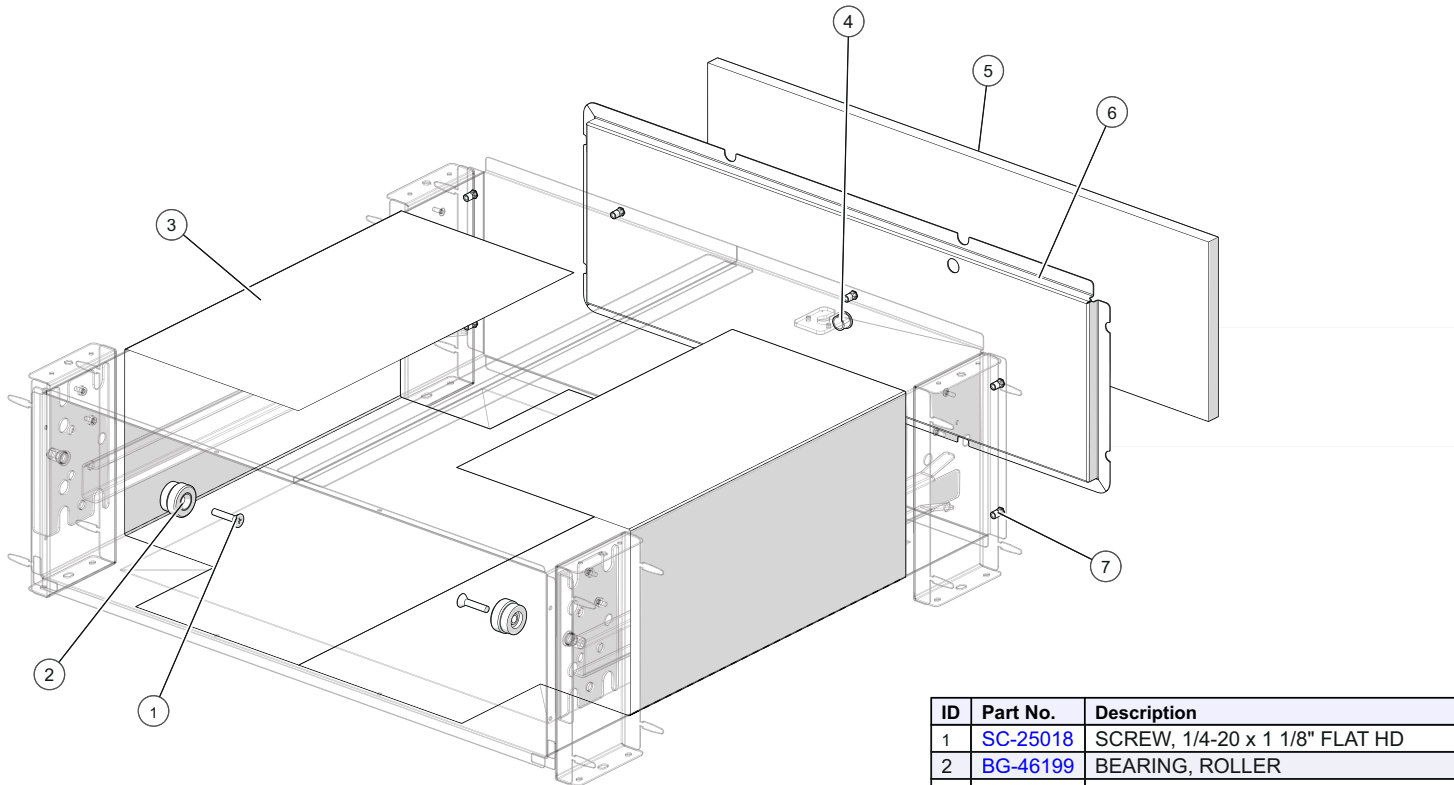
# Cavity Assembly, Heat Pad, 500-2D



ID	Part No.	Description	Qty
1	1043276	INSULATION,CAVITY,500-2D	1
2	EL-29875	ELEMENT, 320W,T-SHAPE	2

5038600\_0

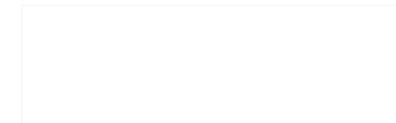
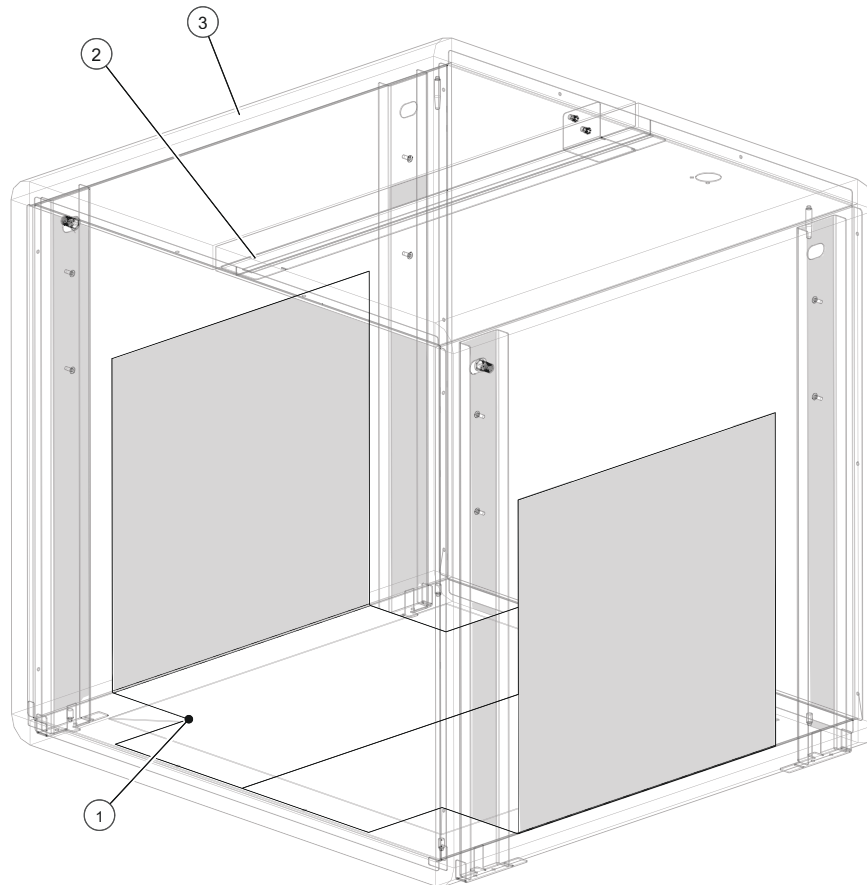
# Cavity Assembly, Heat Pad, 500-2DI



ID	Part No.	Description	Qty
1	<a href="#">SC-25018</a>	SCREW, 1/4-20 x 1 1/8" FLAT HD	2
2	<a href="#">BG-46199</a>	BEARING, ROLLER	2
3	<a href="#">EL-29738</a>	ELEMENT, 320W, FOIL PAD HEATER	2
4	<a href="#">BU-3006</a>	1/2" HOLE BUSHING	1
5	1017529	INSULATION,500-1D,BACK,	1
6	1029429	PANEL, INNER BACK, 500-2DI	1
7	<a href="#">NU-26866</a>	NUT, HEX INSERT M4	8

5038608\_0

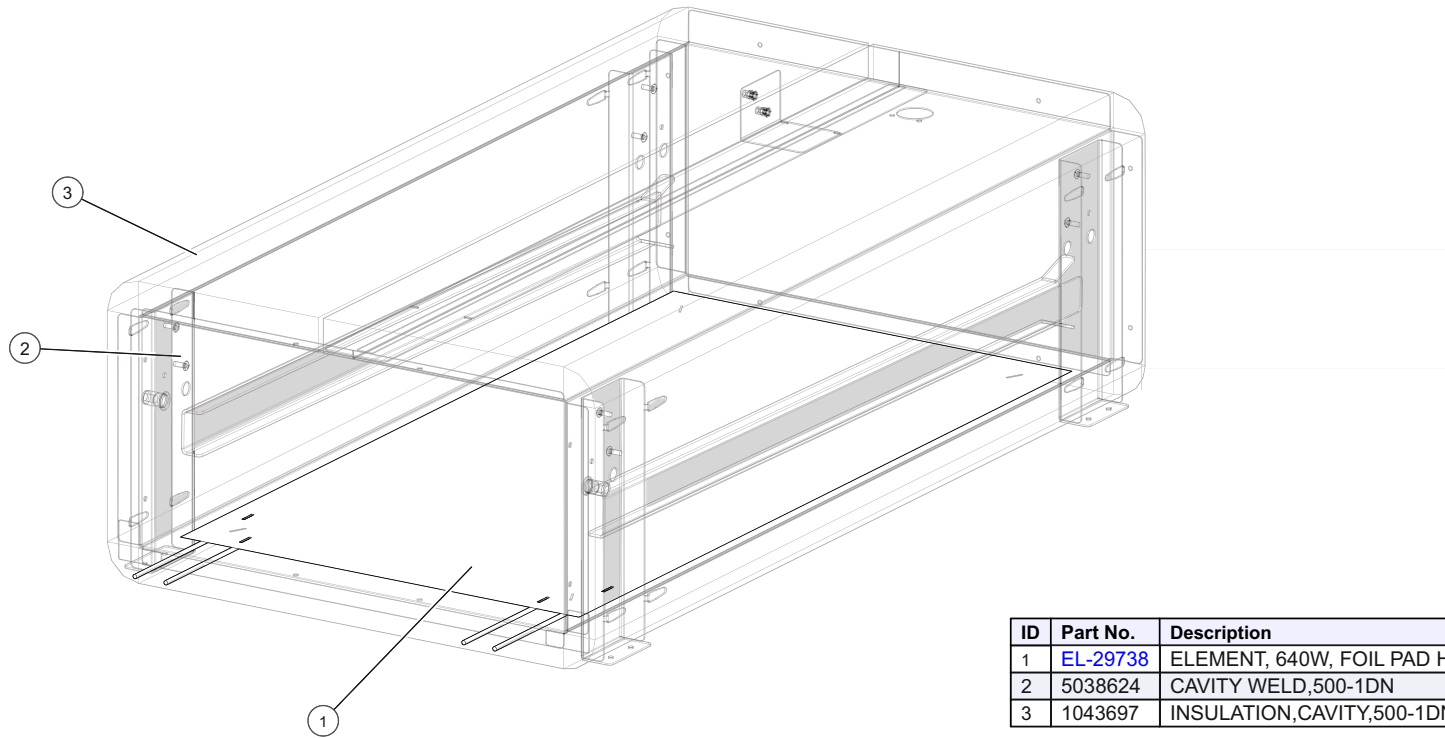
## Cavity Assembly, Heat Pad, 500-3D



ID	Part No.	Description	Qty
1	<a href="#">EL-29875</a>	ELEMENT, 320W,T-SHAPE	2
2	5038619	CAVITY WELD,500-3D	1
3	1043278	INSULATION,CAVITY,500-3D	1

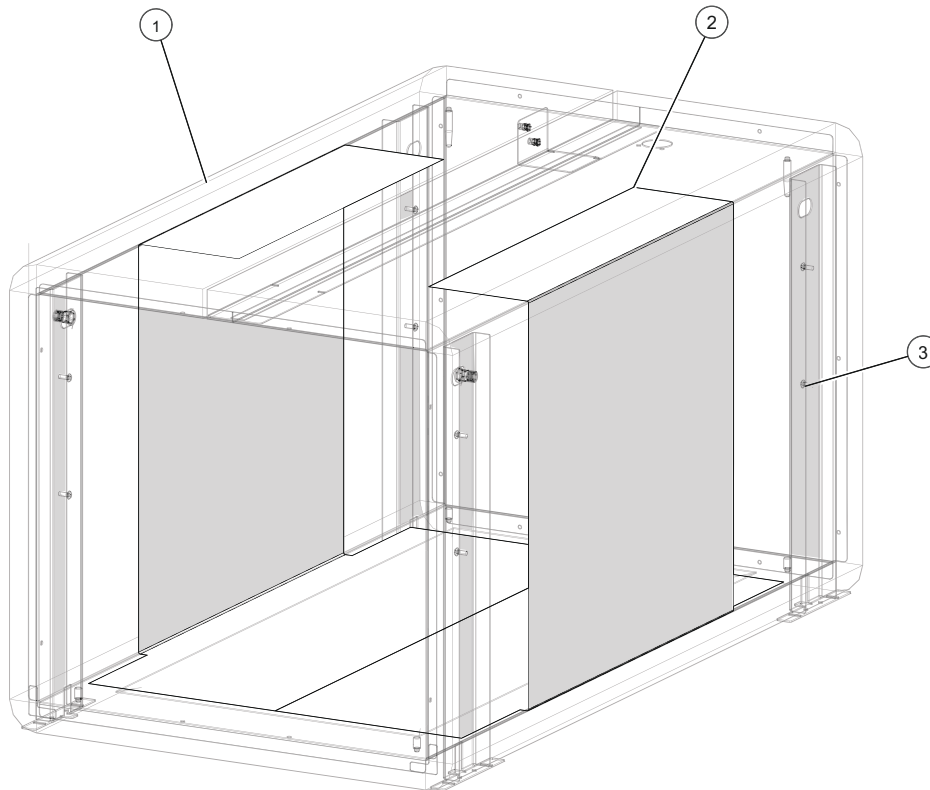
5038620\_0

# Cavity Assembly, Heat Pad, 500-1DN



5038625\_0

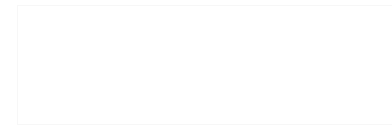
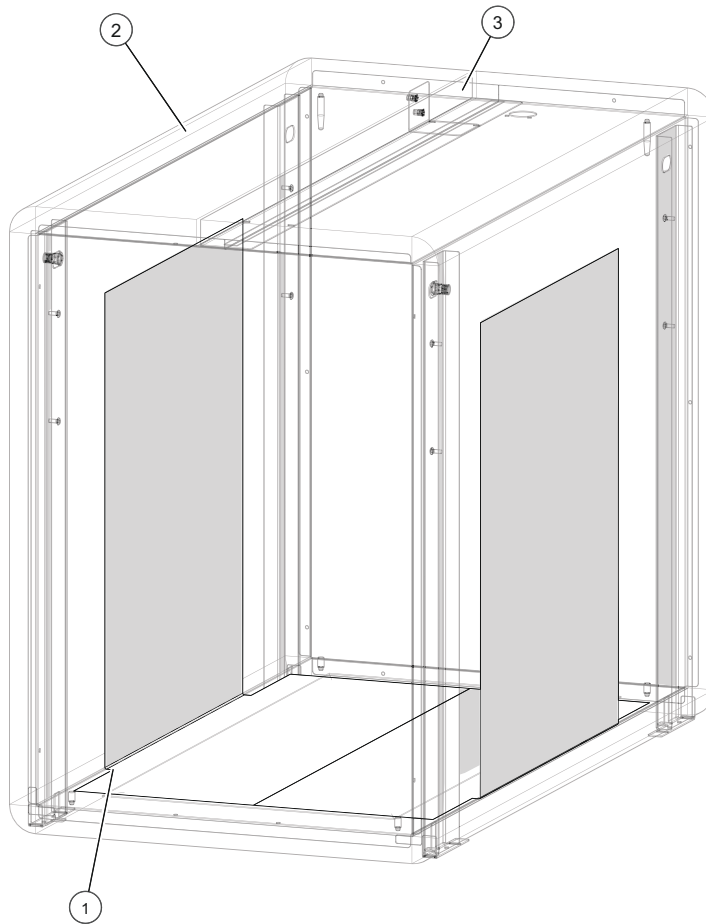
# Cavity Assembly, Heat Pad, 500-2DN



ID	Part No.	Description	Qty
1	1043277	INSULATION,CAVITY,500-2DN	1
2	<a href="#">EL-29875</a>	ELEMENT, 320W,T-SHAPE	2
3	5038635	CAVITY WELD,500-2DN	1

5038636\_0

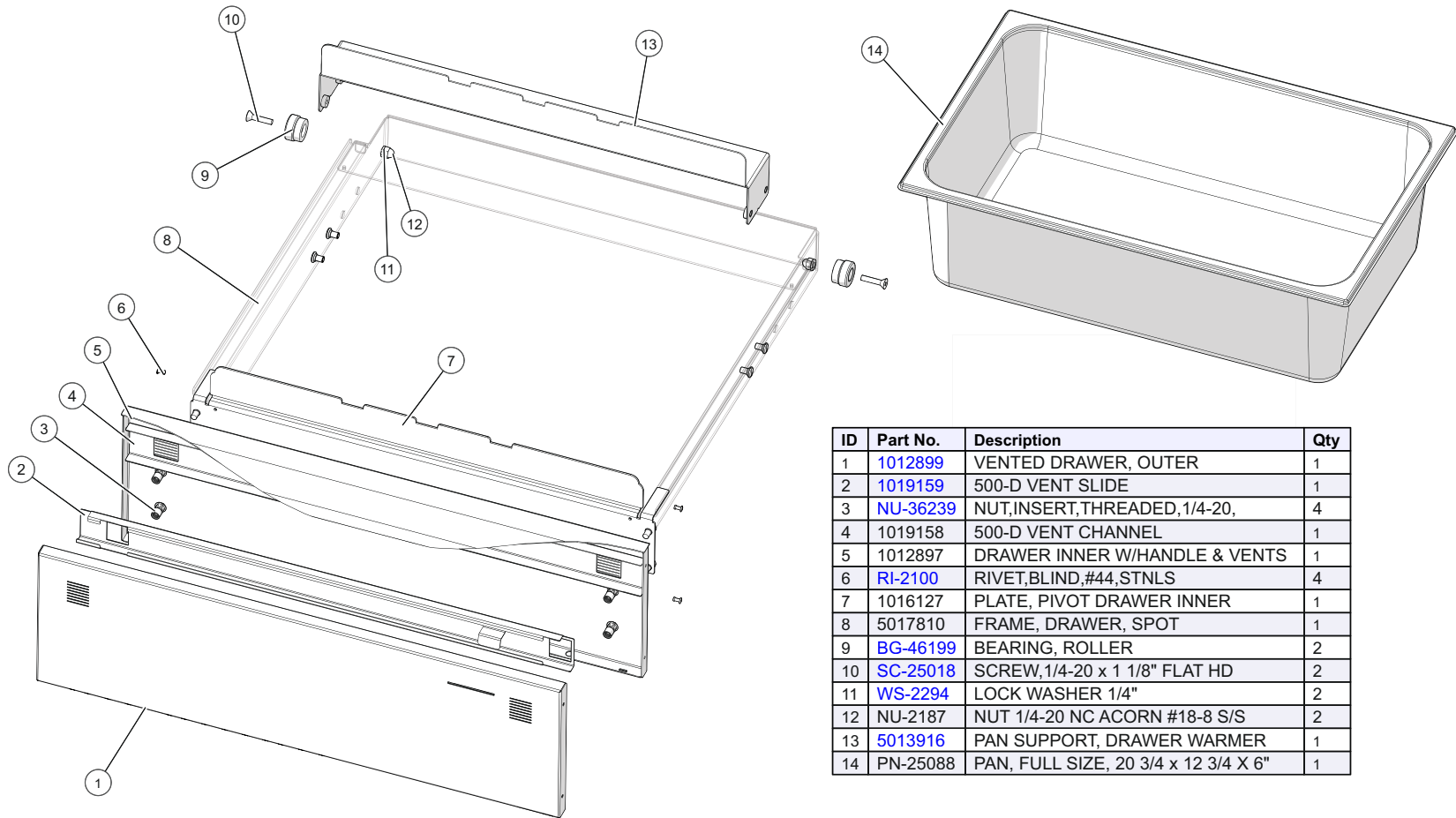
# Cavity Assembly, Heat Pad, 500-3DN



ID	Part No.	Description	Qty
1	<a href="#">EL-29875</a>	ELEMENT, 320W,T-SHAPE	2
2	1043279	INSULATION,CAVITY,500-3DN	1
3	5038641	CAVITY WELD,500-3DN	1

5038642\_0

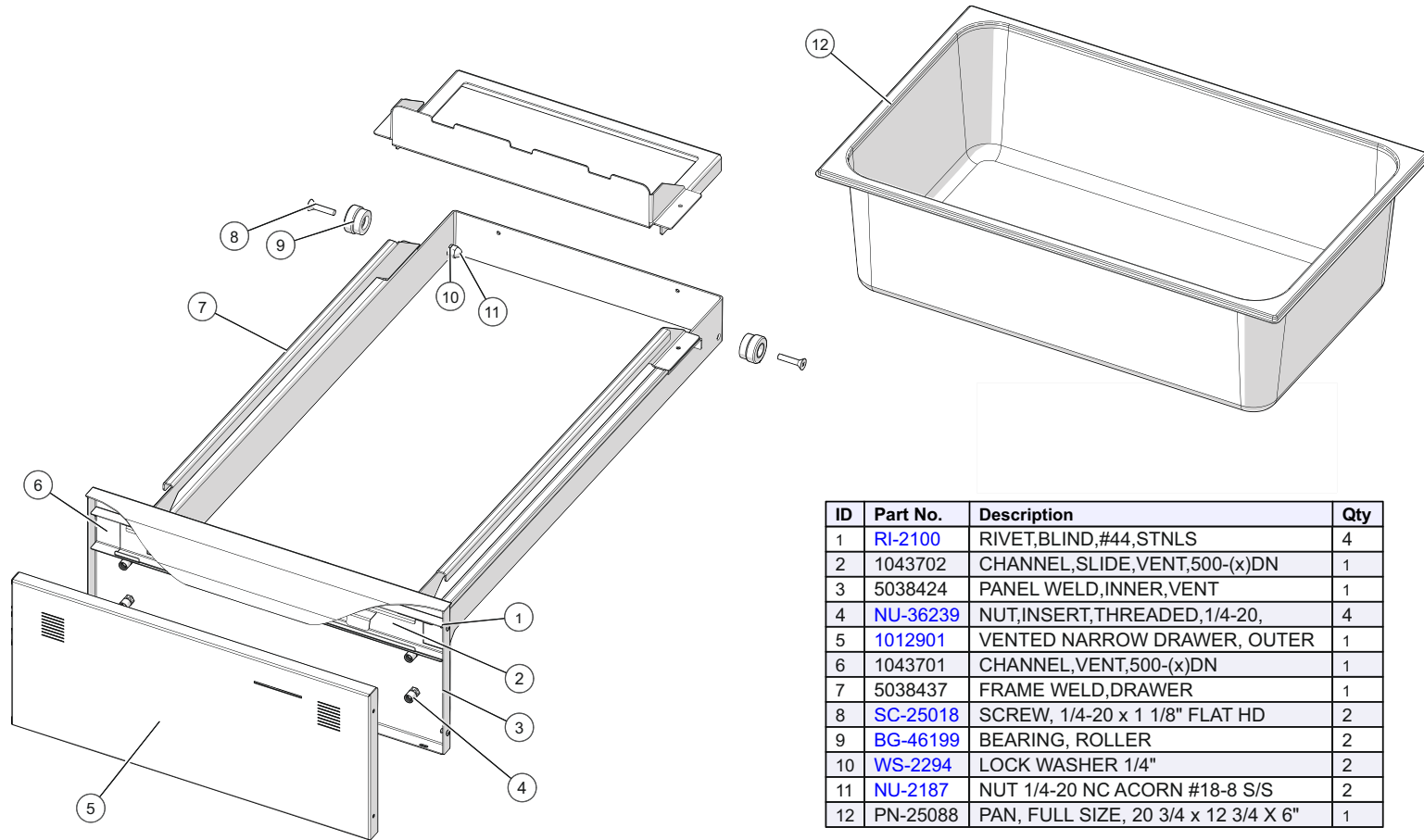
## Drawer Assembly, Standard with Vents, 500-D Series



ID	Part No.	Description	Qty
1	<a href="#">1012899</a>	VENTED DRAWER, OUTER	1
2	<a href="#">1019159</a>	500-D VENT SLIDE	1
3	<a href="#">NU-36239</a>	NUT,INSERT,THREADED,1/4-20,	4
4	1019158	500-D VENT CHANNEL	1
5	1012897	DRAWER INNER W/HANDLE & VENTS	1
6	<a href="#">RI-2100</a>	RIVET,BLIND,#44,STNLS	4
7	1016127	PLATE, PIVOT DRAWER INNER	1
8	5017810	FRAME, DRAWER, SPOT	1
9	<a href="#">BG-46199</a>	BEARING, ROLLER	2
10	<a href="#">SC-25018</a>	SCREW,1/4-20 x 1 1/8" FLAT HD	2
11	<a href="#">WS-2294</a>	LOCK WASHER 1/4"	2
12	NU-2187	NUT 1/4-20 NC ACORN #18-8 S/S	2
13	<a href="#">5013916</a>	PAN SUPPORT, DRAWER WARMER	1
14	PN-25088	PAN, FULL SIZE, 20 3/4 x 12 3/4 X 6"	1

5034225\_0

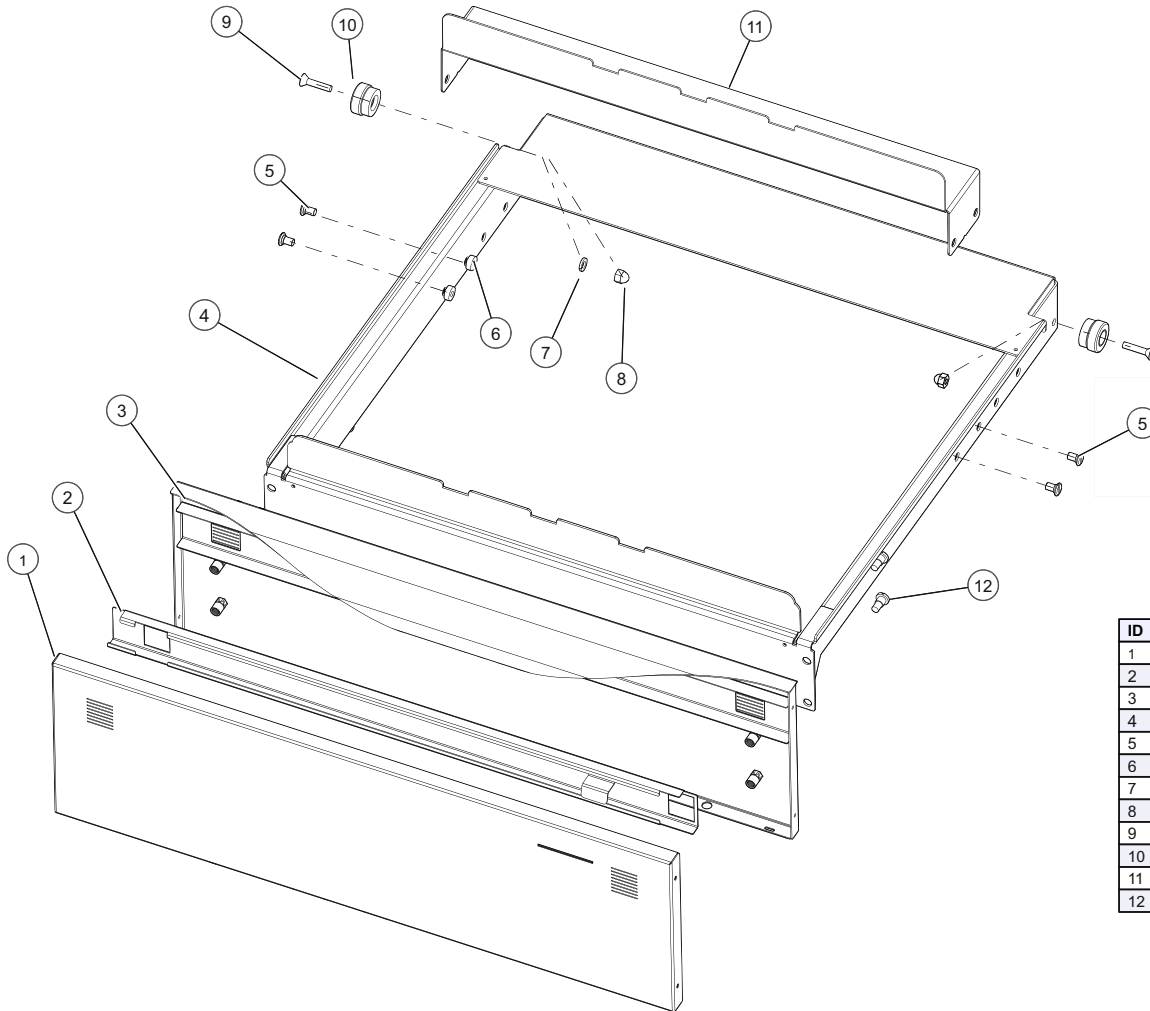
## Drawer Assembly, Standard with Vents, 500-DN Series



ID	Part No.	Description	Qty
1	<a href="#">RI-2100</a>	RIVET,BLIND,#44,STNLS	4
2	1043702	CHANNEL,SLIDE,VENT,500-(x)DN	1
3	5038424	PANEL WELD,INNER,VENT	1
4	<a href="#">NU-36239</a>	NUT,INSERT,THREADED,1/4-20,	4
5	<a href="#">1012901</a>	VENTED NARROW DRAWER, OUTER	1
6	1043701	CHANNEL,VENT,500-(x)DN	1
7	5038437	FRAME WELD,DRAWER	1
8	<a href="#">SC-25018</a>	SCREW, 1/4-20 x 1 1/8" FLAT HD	2
9	<a href="#">BG-46199</a>	BEARING, ROLLER	2
10	<a href="#">WS-2294</a>	LOCK WASHER 1/4"	2
11	<a href="#">NU-2187</a>	NUT 1/4-20 NC ACORN #18-8 S/S	2
12	PN-25088	PAN, FULL SIZE, 20 3/4 x 12 3/4 X 6"	1

5038435\_0

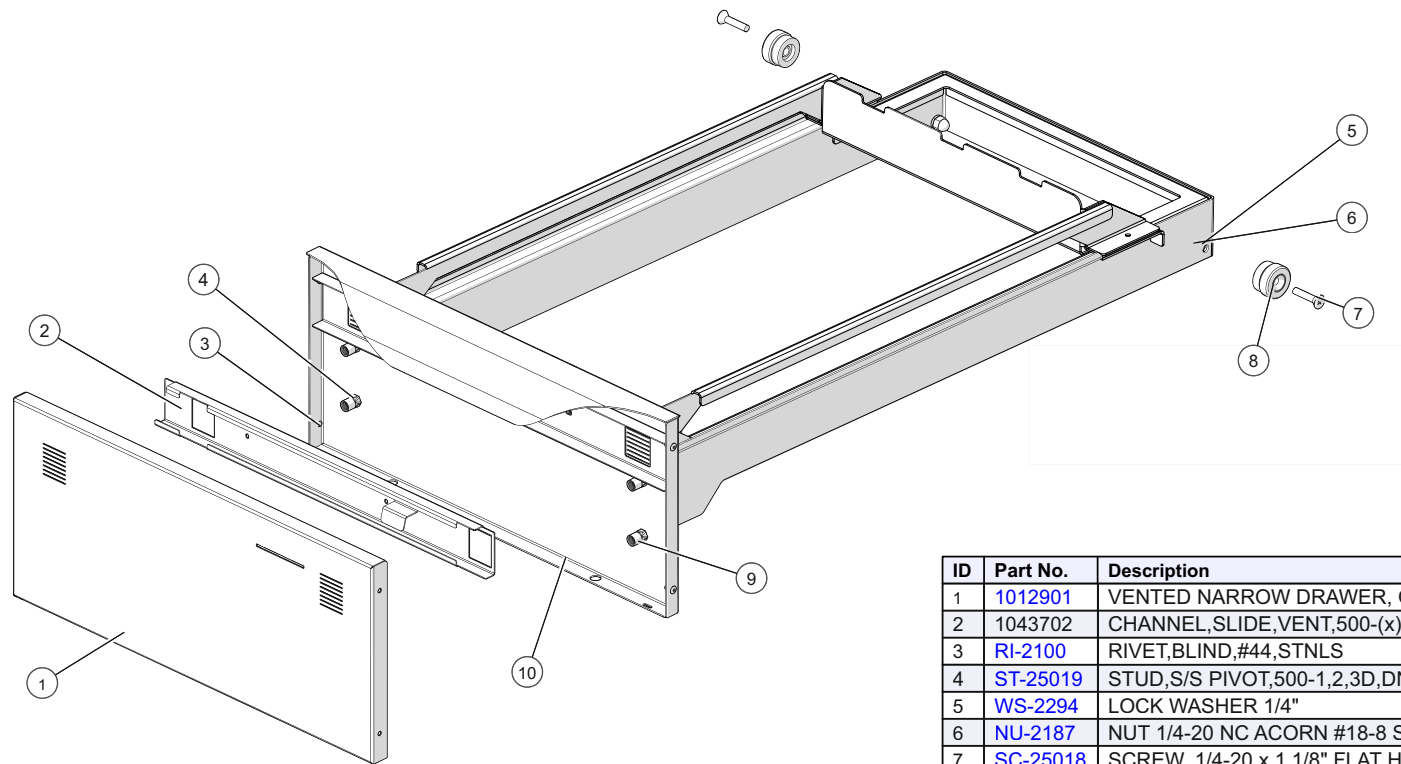
# Drawer Frame Assembly, 500-D Series



ID	Part No.	Description	Qty
1	<a href="#">1012899</a>	VENTED DRAWER, OUTER	1
2	<a href="#">1019159</a>	500-D VENT SLIDE	1
3	<a href="#">5014558</a>	VENTED DRAWER FRONT SPOT	1
4	5017810	FRAME, DRAWER, SPOT	1
5	ST-2546	STUD, SHOULDER, SHORT, S/S	4
6	NU-24891	NUT, WELD, 1/4-20UNC, S.S.	4
7	<a href="#">WS-2294</a>	LOCK WASHER 1/4"	1
8	<a href="#">NU-2187</a>	NUT 1/4-20 NC ACORN #18-8 S/S	1
9	<a href="#">SC-25018</a>	1/4-20 x 1 1/8" FLAT HD S/S	2
10	<a href="#">BG-46199</a>	BEARING, ROLLER	2
11	1012477	DRAWER WARMER, FRAME, PAN SLIDE	1
12	ST-25019	STUD,S/S PIVOT,500-1,2,3D,DN'S	4

5014559\_13

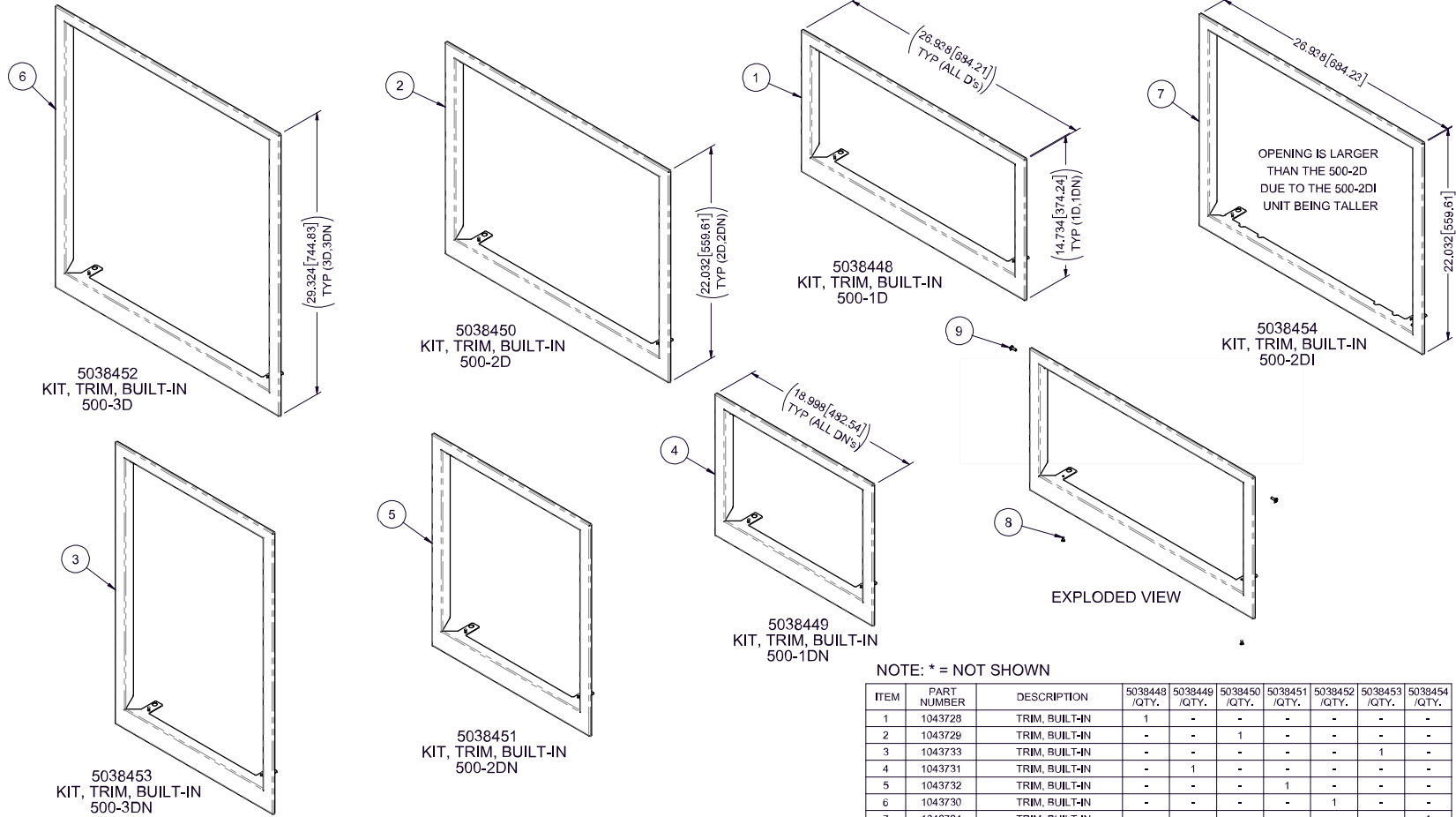
# Drawer Frame Assembly, 500-DN Series



ID	Part No.	Description	Qty
1	<a href="#">1012901</a>	VENTED NARROW DRAWER, OUTER	1
2	1043702	CHANNEL,SLIDE,VENT,500-(x)DN	1
3	<a href="#">RI-2100</a>	RIVET,BLIND,#44,STNLS	4
4	<a href="#">ST-25019</a>	STUD,S/S PIVOT,500-1,2,3D,DN'S	4
5	<a href="#">WS-2294</a>	LOCK WASHER 1/4"	1
6	<a href="#">NU-2187</a>	NUT 1/4-20 NC ACORN #18-8 S/S	2
7	<a href="#">SC-25018</a>	SCREW, 1/4-20 x 1 1/8" FLAT HD	2
8	<a href="#">BG-46199</a>	BEARING, ROLLER	2
9	<a href="#">NU-36239</a>	NUT,INSERT,THREADED,1/4-20,	4
10	5038424	PANEL WELD,INNER,VENT	1

5038428\_0

# Trim Kits

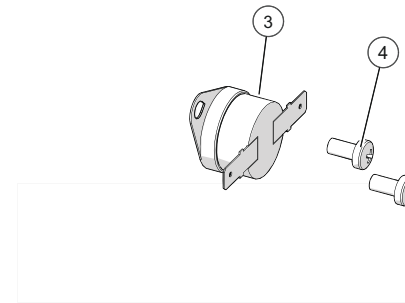
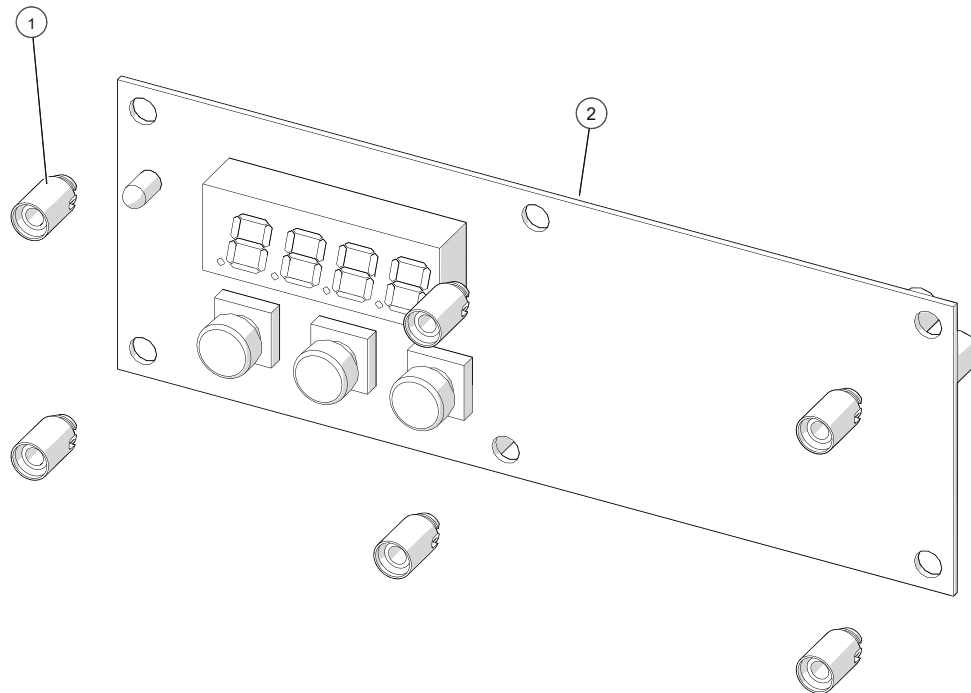


NOTE: \* = NOT SHOWN

ITEM	PART NUMBER	DESCRIPTION	5038448 /QTY.	5038449 /QTY.	5038450 /QTY.	5038451 /QTY.	5038452 /QTY.	5038453 /QTY.	5038454 /QTY.
1	1043728	TRIM, BUILT-IN	1	-	-	-	-	-	-
2	1043729	TRIM, BUILT-IN	-	-	1	-	-	-	-
3	1043733	TRIM, BUILT-IN	-	-	-	-	-	1	-
4	1043731	TRIM, BUILT-IN	-	1	-	-	-	-	-
5	1043732	TRIM, BUILT-IN	-	-	-	1	-	-	-
6	1043730	TRIM, BUILT-IN	-	-	-	-	1	-	-
7	1043734	TRIM, BUILT-IN	-	-	-	-	-	-	1
8	RI-2100	RIVET,BLIND,#44,STNLS	2	2	2	2	2	2	2
9	SC-2425	SCREW, 8-32 X 1/2" TRH	2	2	2	2	2	2	2
* 10	SRV-20111	SERVICE DOC,TRIM KIT,500D	1	1	1	1	1	1	1

DW TRIM KITS\_0

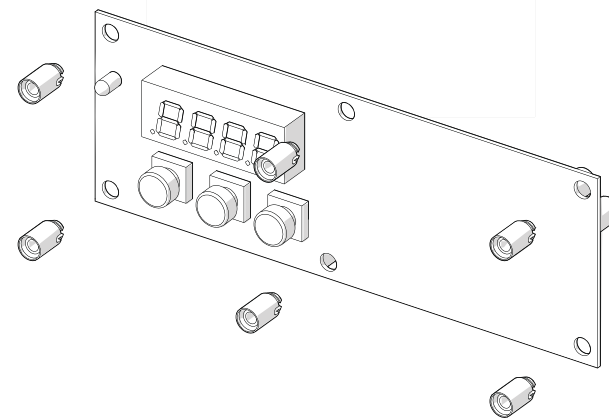
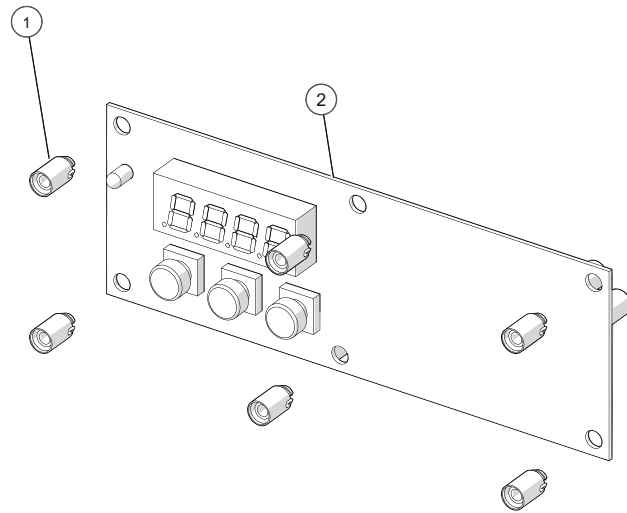
## Control Assembly, Wired, All 500-D and DN Models



ID	Part No.	Description	Qty
1	<a href="#">SP-29392</a>	SPACER, SNAP-IN, 7/16"	6
2	CC-34970	ELAN WARMER CONTROL	1
3	<a href="#">TT-34350</a>	THERMOSTAT, 210F HI-LIMIT	1
4	<a href="#">SC-22266</a>	SCREW, M3x0.5X6MM PAN	2
5	5038771	WIRE ASSEMBLY (not shown)	1

5038583\_0

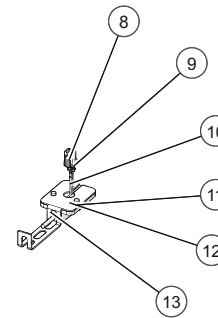
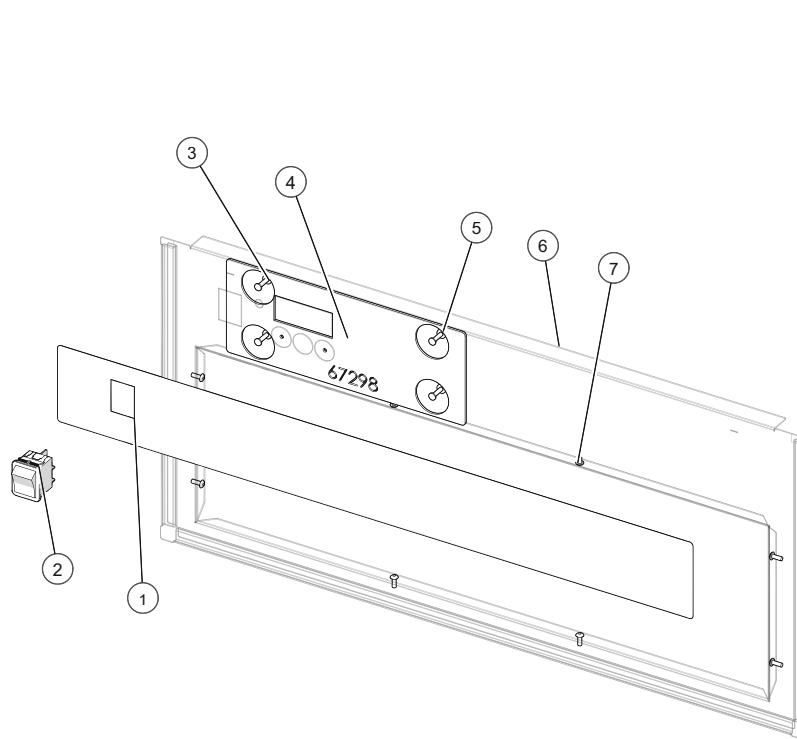
# Control Assembly, Wired, 500-2DI



ID	Part No.	Description	Qty
1	<a href="#">SP-29392</a>	SPACER, SNAP-IN, 7/16"	12
2	<a href="#">CC-34970</a>	ELAN WARMER CONTROL	2
3	5034264	WIRE ASSEMBLY, 500-2DI (not shown)	1
4	5038771	WIRE ASSEMBLY, 500 SERIES, 120V, 208-240V, 230V (not shown)	1

5038607\_0

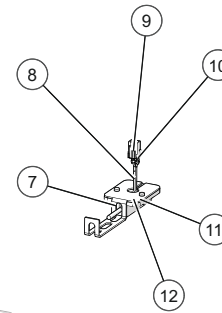
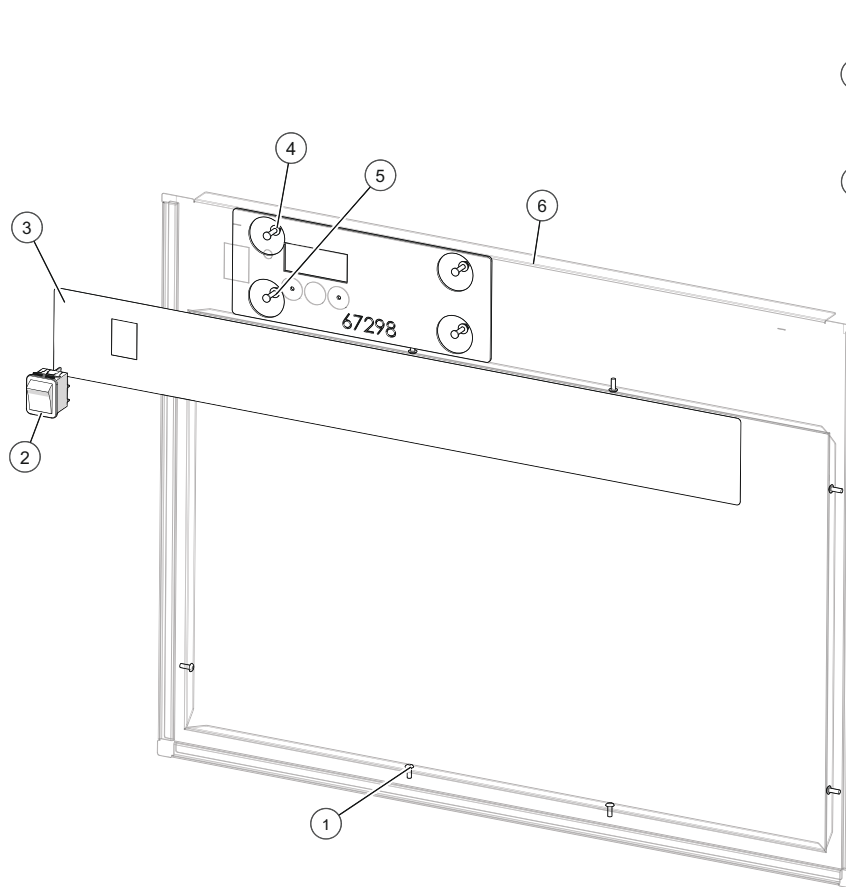
# Control Package, 500-1D



ID	Part No.	Description	Qty
1	PE-47777	OVERLAY, 500-D, SIMPLE CONTROL	1
2	SW-38665	SWITCH,ROCKER,DPST,20A,125V,	1
3	WS-23148	WASHER, 6-32, FLAT, NYL	4
4	5034211	TRIM, FRONT, STUD, ASSEMBLY	1
5	NU-2361	NUT, 6-32 HEX, S/S	4
6	1037522	TRIM, CONTROL, ELAN	1
7	RI-38125	RIVET,SEALED,.125"	8
8	CR-34502	CONNECTOR, HOUSING, 2 PORTS	1
9	CR-34503	CONNECTOR, RECTANGULAR CONTACTS	2
10	SN-38111	SENSOR, 1000 OHM, 110" WIRE	1
11	SC-22271	SCREWS,M4-0.7X6MM PHIL	2
12	BK-29605	BLOCK, SENSOR, ELEC. CONTROL	1
13	1493	GUARD SENSOR,W/MW	1

5038575\_0

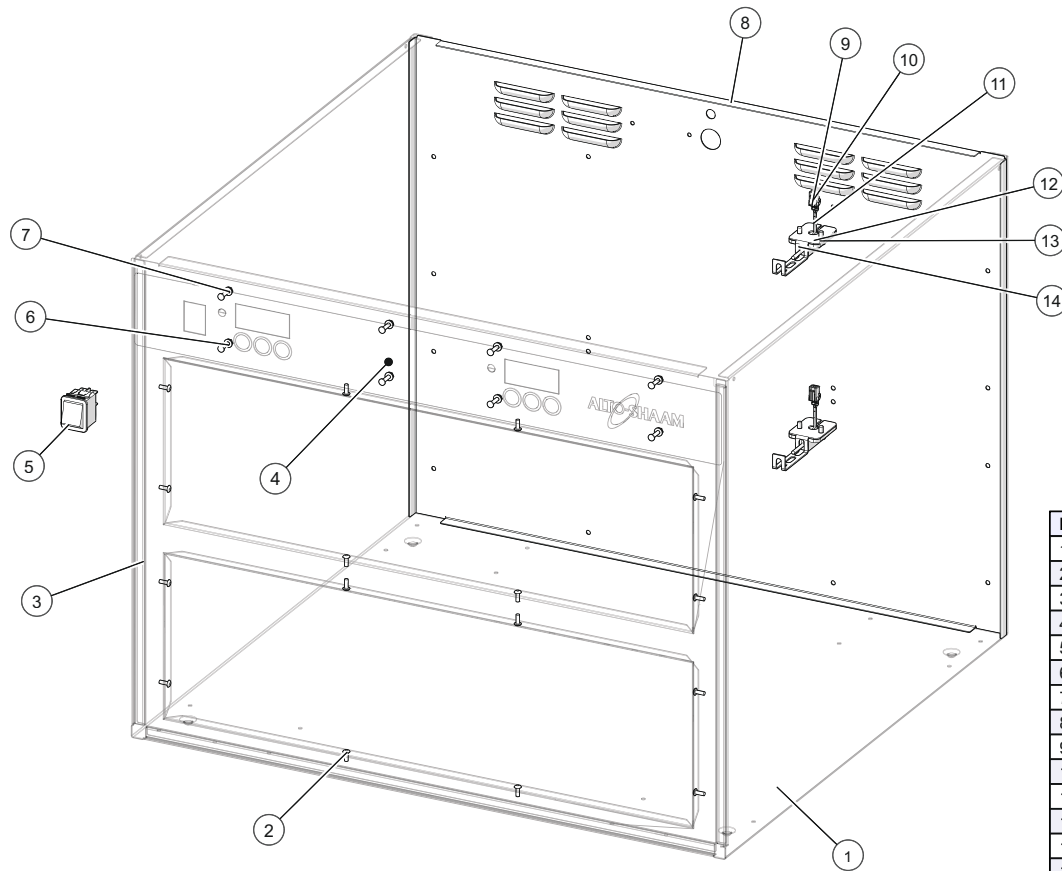
# Control Package, 500-2D



ID	Part No.	Description	Qty
1	<a href="#">RI-38125</a>	RIVET,SEALED, .125"	8
2	<a href="#">SW-38665</a>	SWITCH,ROCKER,DPST,20A,125V,	1
3	<a href="#">PE-47777</a>	OVERLAY, 500-D, SIMPLE CONTROL	1
4	<a href="#">NU-2361</a>	NUT, 6-32 HEX, S/S	4
5	<a href="#">WS-23148</a>	WASHER, 6-32, FLAT, NYL	4
6	5034233	500-2D FRONT TRIM STUD ASSB	1
7	<a href="#">1493</a>	GUARD SENSOR,W/MW	1
8	SN-38111	SENSOR, 1000 OHM, 110" WIRE	1
9	<a href="#">CR-34502</a>	CONNECTOR, HOUSING, 2 PORTS	1
10	<a href="#">CR-34503</a>	CONNECTOR, RECTANGULAR CONTACTS	2
11	<a href="#">SC-22271</a>	SCREWS,M4-0.7X6MM PHIL	2
12	BK-29605	BLOCK, SENSOR, ELEC. CONTROL	1

5038603\_0

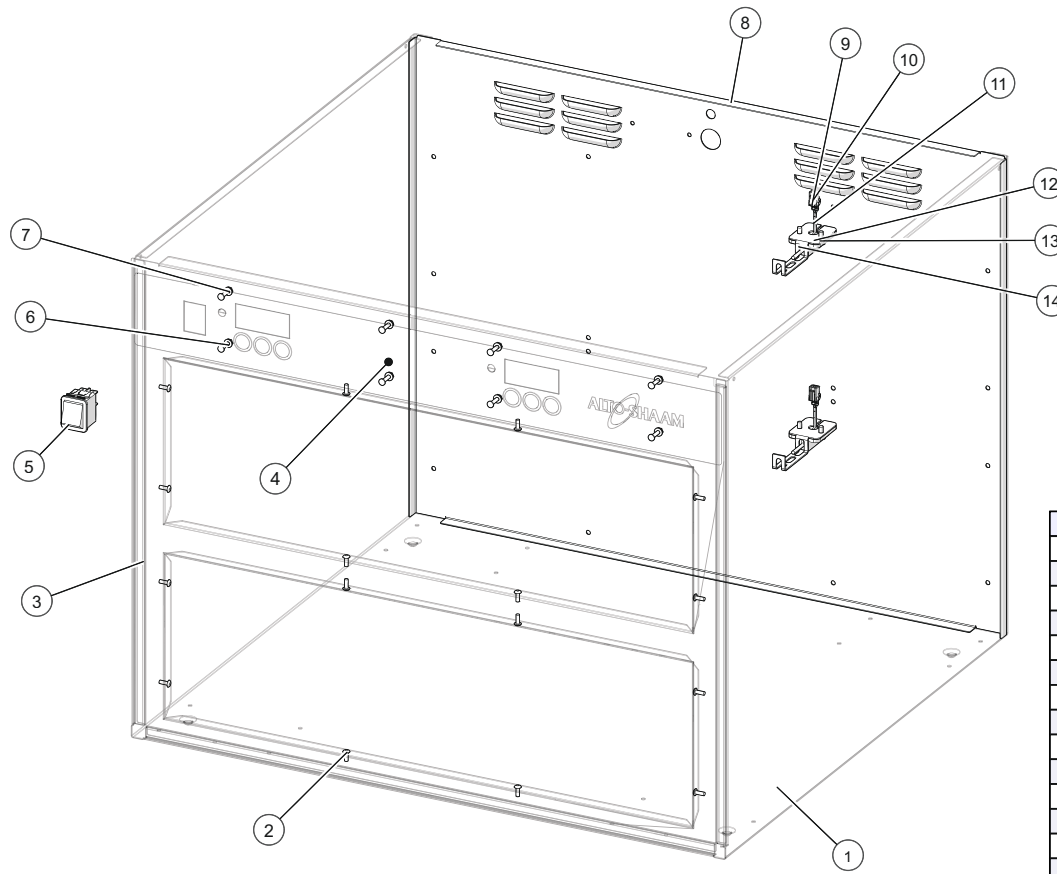
# Control Package, 500-2DI



ID	Part No.	Description	Qty
1	1034366	OUTER CASING	1
2	<a href="#">RI-38125</a>	RIVET,SEALED, .125"	16
3	5034262	TRIM, FRONT, STUD ASSEMBLY	1
4	PE-47779	OVERLAY,500-2DI,SIMPLE CONTROL	1
5	SW-38665	SWITCH,ROCKER,DPST,20A,125V,	1
6	<a href="#">WS-23148</a>	WASHER, 6-32, FLAT, NYL	8
7	<a href="#">NU-2361</a>	NUT, 6-32 HEX, S/S	8
8	1034365	TRIM, REAR	1
9	CR-34503	CONNECTOR, RECTANGULAR CONTACTS	2
10	<a href="#">CR-34502</a>	CONNECTOR, HOUSING, 2 PORTS	2
11	<a href="#">SN-38111</a>	SENSOR, 1000 OHM, 110" WIRE,	2
12	BK-29605	BLOCK, SENSOR, ELEC. CONTROL	2
13	<a href="#">SC-22273</a>	SCREW,M4x0.7X10MM PAN	4
14	<a href="#">1493</a>	GUARD SENSOR,W/MW	2

5038606\_0

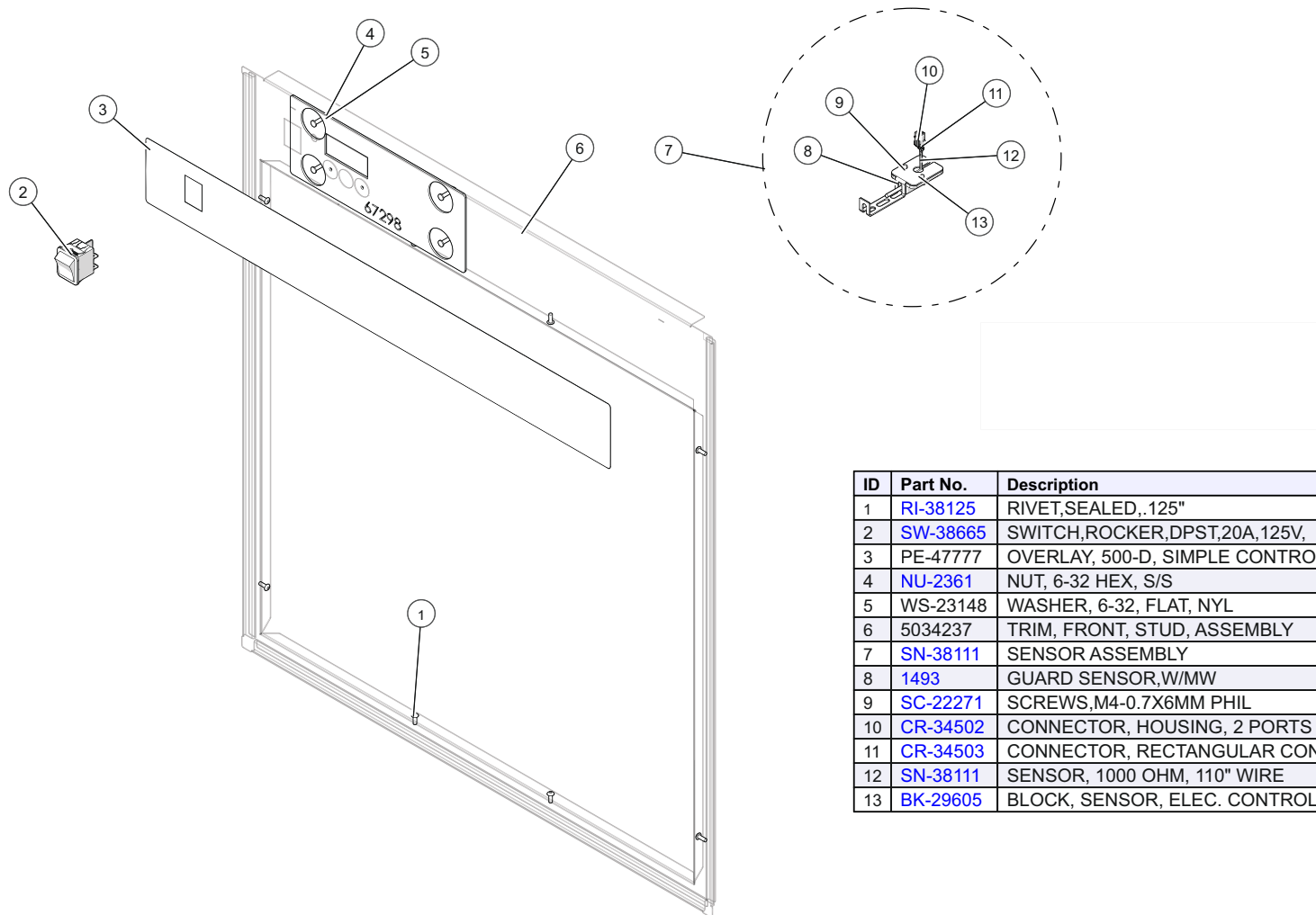
# Control Package, 500-2DI



ID	Part No.	Description	Qty
1	1034366	OUTER CASING	1
2	<a href="#">RI-38125</a>	RIVET,SEALED, .125"	16
3	5034262	TRIM, FRONT, STUD ASSEMBLY	1
4	PE-47779	OVERLAY,500-2DI,SIMPLE CONTROL	1
5	<a href="#">SW-38665</a>	SWITCH,ROCKER,DPST,20A,125V,	1
6	<a href="#">WS-23148</a>	WASHER, 6-32, FLAT, NYL	8
7	<a href="#">NU-2361</a>	NUT, 6-32 HEX, S/S	8
8	1034365	TRIM, REAR	1
9	<a href="#">CR-34503</a>	CONNECTOR, RECTANGULAR CONTACTS	2
10	<a href="#">CR-34502</a>	CONNECTOR, HOUSING, 2 PORTS	2
11	<a href="#">SN-38111</a>	SENSOR, 1000 OHM, 110" WIRE,	2
12	BK-29605	BLOCK, SENSOR, ELEC. CONTROL	2
13	<a href="#">SC-22273</a>	SCREW,M4x0.7X10MM PAN	4
14	<a href="#">1493</a>	GUARD SENSOR,W/MW	2

5038606\_0

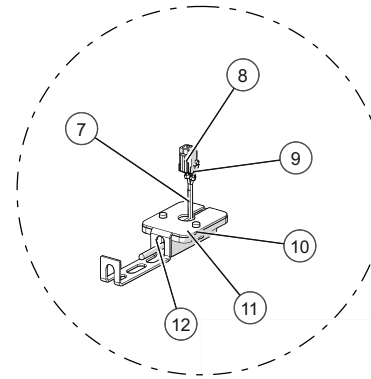
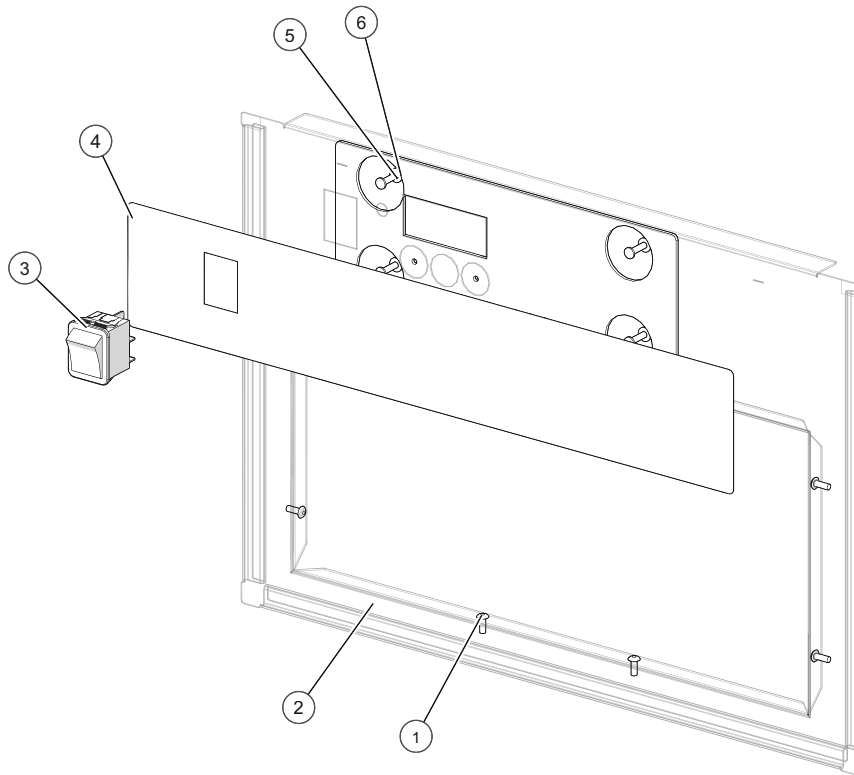
# Control Package, 500-3D



ID	Part No.	Description	Qty
1	<a href="#">RI-38125</a>	RIVET,SEALED,.125"	8
2	<a href="#">SW-38665</a>	SWITCH,ROCKER,DPST,20A,125V,	1
3	<a href="#">PE-47777</a>	OVERLAY, 500-D, SIMPLE CONTROL	1
4	<a href="#">NU-2361</a>	NUT, 6-32 HEX, S/S	4
5	<a href="#">WS-23148</a>	WASHER, 6-32, FLAT, NYL	4
6	5034237	TRIM, FRONT, STUD, ASSEMBLY	1
7	<a href="#">SN-38111</a>	SENSOR ASSEMBLY	1
8	<a href="#">1493</a>	GUARD SENSOR,W/MW	1
9	<a href="#">SC-22271</a>	SCREWS,M4-0.7X6MM PHIL	2
10	<a href="#">CR-34502</a>	CONNECTOR, HOUSING, 2 PORTS	1
11	<a href="#">CR-34503</a>	CONNECTOR, RECTANGULAR CONTACTS	2
12	<a href="#">SN-38111</a>	SENSOR, 1000 OHM, 110" WIRE	1
13	<a href="#">BK-29605</a>	BLOCK, SENSOR, ELEC. CONTROL	1

5038618\_0

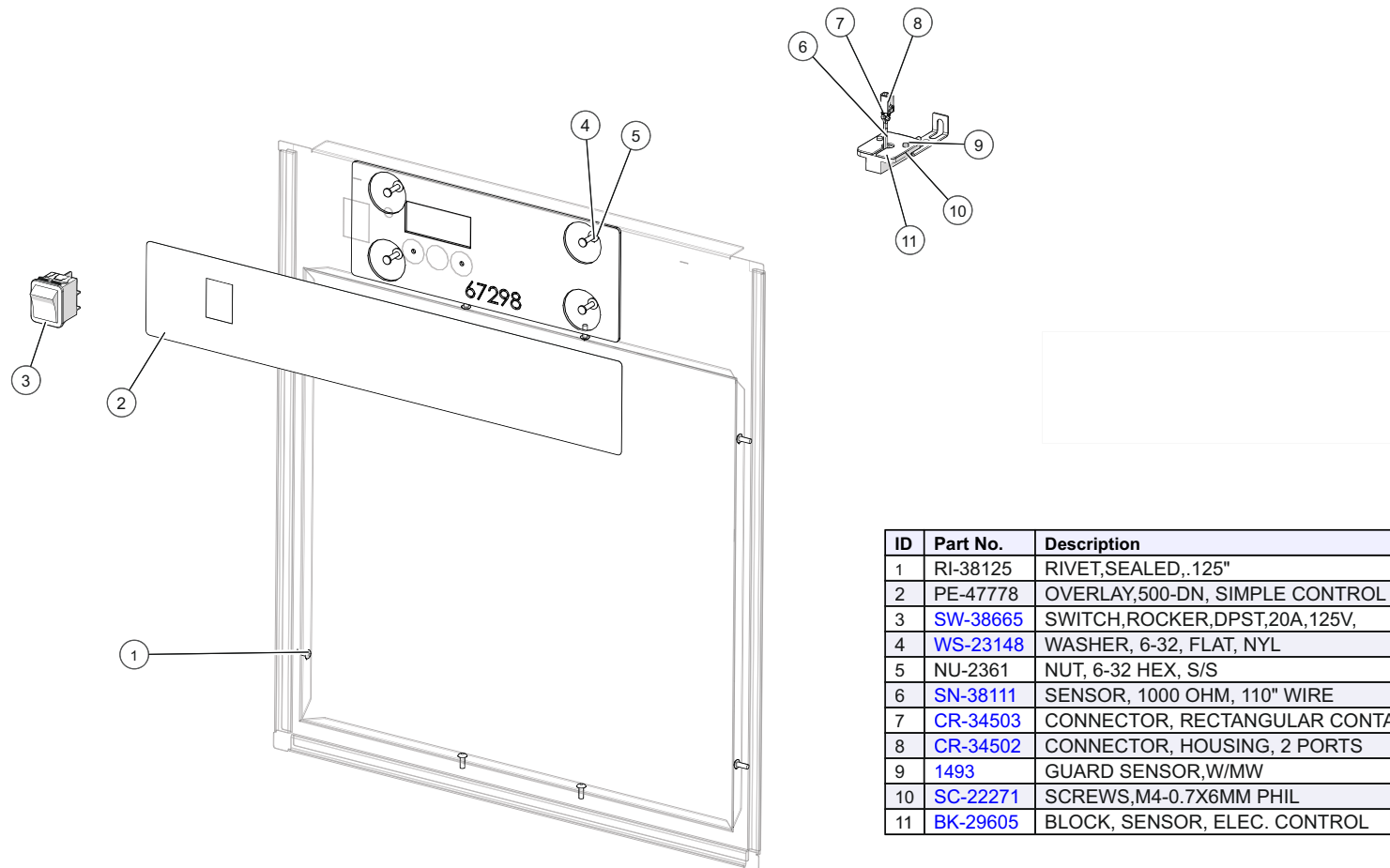
# Control Package, 500-1DN



ID	Part No.	Description	Qty
1	<a href="#">RI-38125</a>	RIVET,SEALED,.125"	8
2	5034231	500-1DN FRONT TRIM STUD ASSB	1
3	SW-38665	SWITCH,ROCKER,DPST,20A,125V,	1
4	PE-47778	OVERLAY,500-DN, SIMPLE CONTROL	1
5	<a href="#">WS-23148</a>	WASHER, 6-32, FLAT, NYL	4
6	<a href="#">NU-2361</a>	NUT, 6-32 HEX, S/S	4
7	<a href="#">SN-38111</a>	SENSOR, 1000 OHM, 110" WIRE	1
8	<a href="#">CR-34502</a>	CONNECTOR, HOUSING, 2 PORTS	1
9	<a href="#">CR-34503</a>	CONNECTOR, RECTANGULAR CONTACTS	2
10	<a href="#">SC-22271</a>	SCREWS,M4-0.7X6MM PHIL	2
11	<a href="#">BK-29605</a>	BLOCK, SENSOR, ELEC. CONTROL	1
12	<a href="#">1493</a>	GUARD SENSOR,W/MW	1

5038627\_0

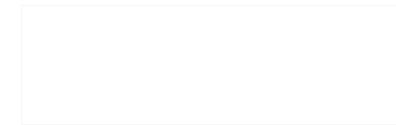
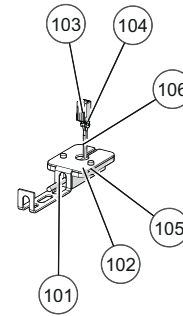
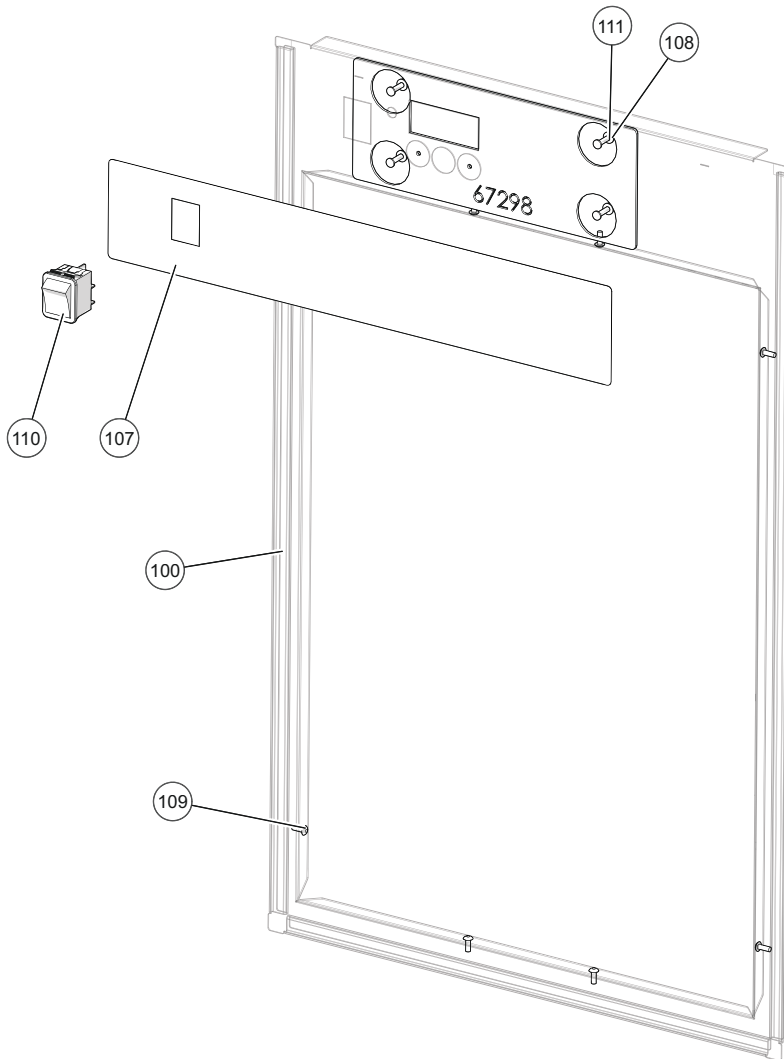
# Control Package, 500-2DN



ID	Part No.	Description	Qty
1	RI-38125	RIVET,SEALED,.125"	8
2	PE-47778	OVERLAY,500-DN, SIMPLE CONTROL	1
3	SW-38665	SWITCH,ROCKER,DPST,20A,125V,	1
4	WS-23148	WASHER, 6-32, FLAT, NYL	4
5	NU-2361	NUT, 6-32 HEX, S/S	4
6	SN-38111	SENSOR, 1000 OHM, 110" WIRE	1
7	CR-34503	CONNECTOR, RECTANGULAR CONTACTS	2
8	CR-34502	CONNECTOR, HOUSING, 2 PORTS	1
9	1493	GUARD SENSOR,W/MW	1
10	SC-22271	SCREWS,M4-0.7X6MM PHIL	2
11	BK-29605	BLOCK, SENSOR, ELEC. CONTROL	1

5038633\_0

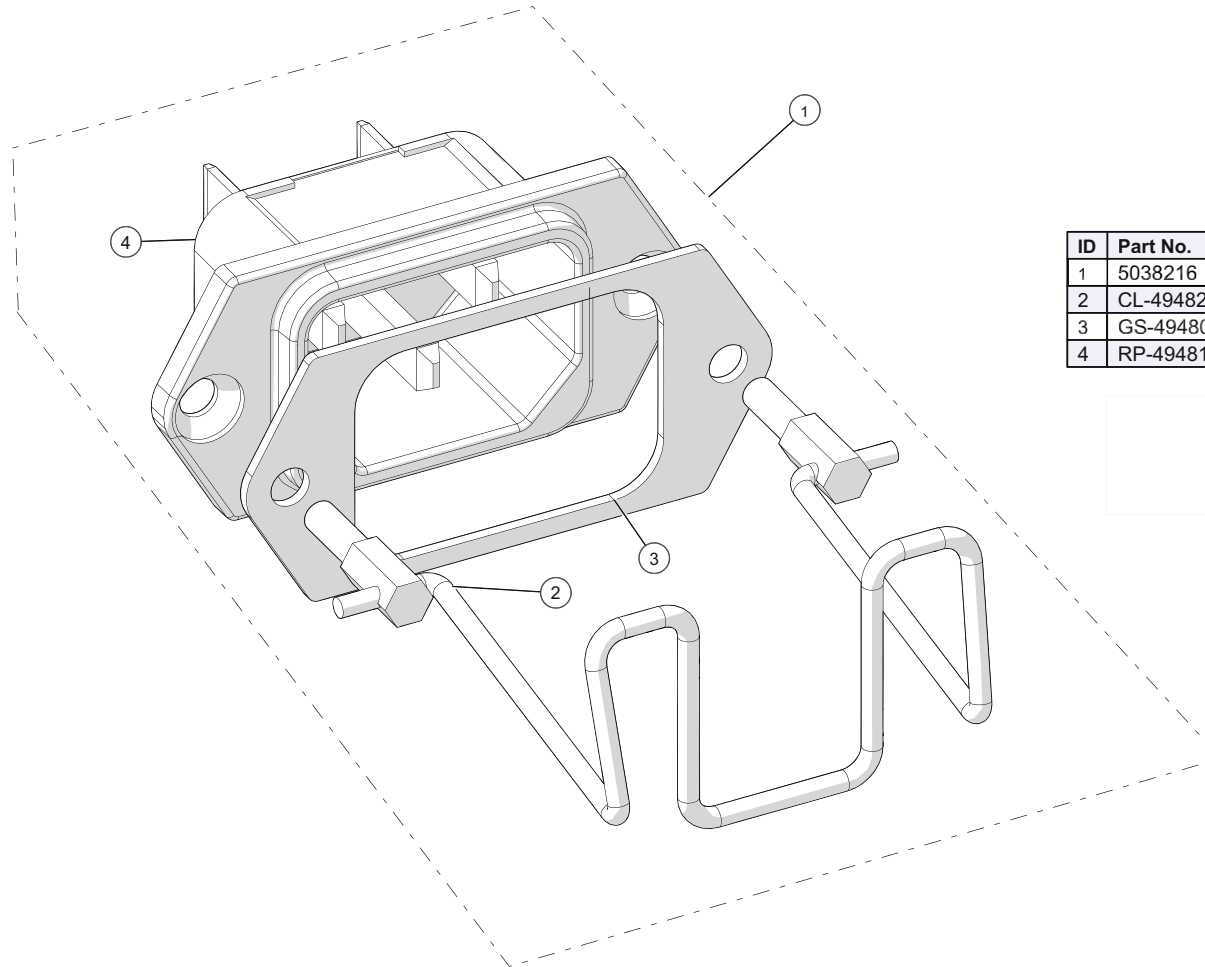
# Control Package, 500-3DN



ID	Part No.	Description	Qty
100	5034239	500-3D FRONT TRIM STUD ASSB	1
101	1493	GUARD SENSOR,W/MW	1
102	BK-29605	BLOCK, SENSOR, ELEC. CONTROL	1
103	CR-34502	CONNECTOR, HOUSING, 2 PORTS	1
104	CR-34503	CONNECTOR, RECTANGULAR CONTACTS	2
105	SC-22271	SCREWS,M4-0.7X6MM PHIL	2
106	SN-38111	SENSOR, 1000 OHM, 110" WIRE	1
107	PE-47778	OVERLAY,500-DN, SIMPLE CONTROL	1
108	NU-2361	NUT, 6-32 HEX, S/S	4
109	RI-38125	RIVET,SEALED,.125"	8
110	SW-38665	SWITCH,ROCKER,DPST,20A,125V,	1
111	WS-23148	WASHER, 6-32, FLAT, NYL	4

5038639\_0

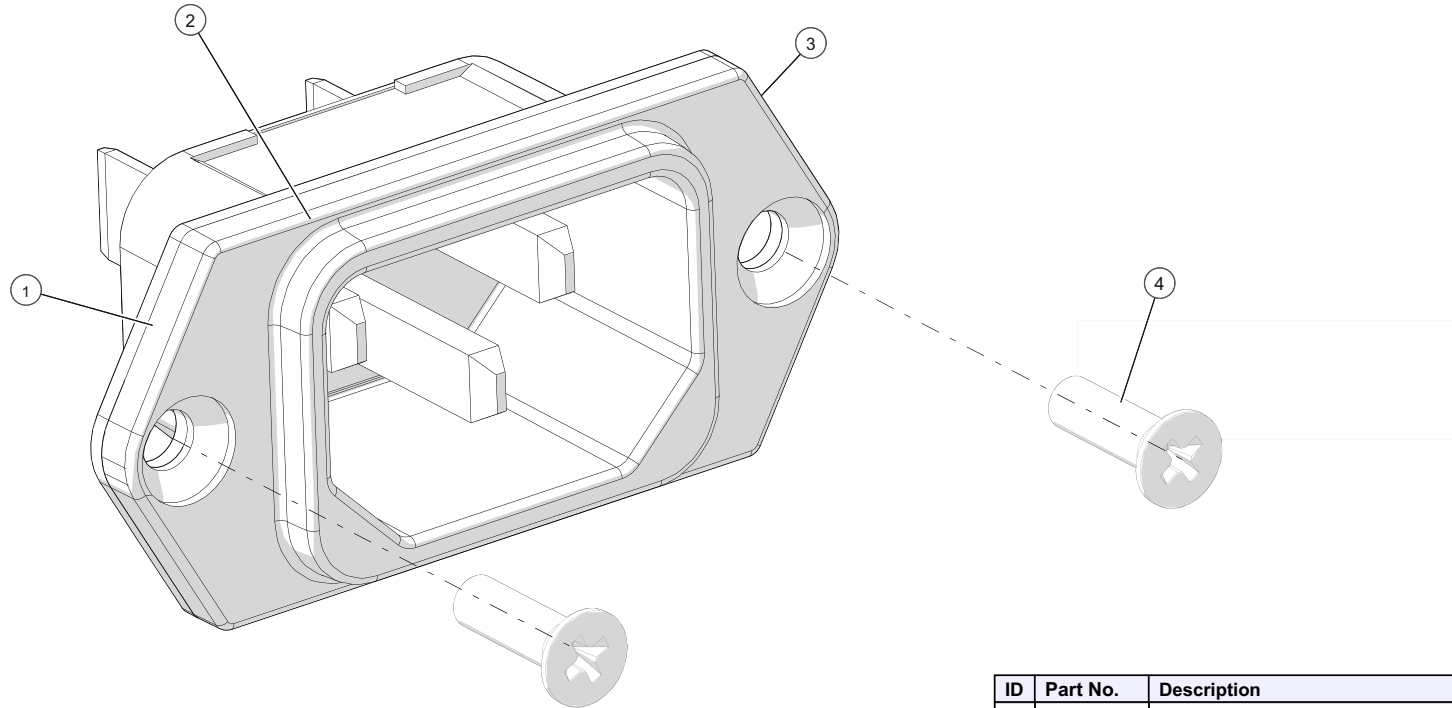
# Receptacle Assembly, C14



ID	Part No.	Description	Qty
1	5038216	RECEPTACLE ASSY,C14,SEAL,	1
2	CL-49482	CLIP,RETAINING,CORD	1
3	GS-49480	GASKET,RECEPTACLE,C14	1
4	RP-49481	RECEPTACLE,C14,SCREW ON	1

5038216\_0

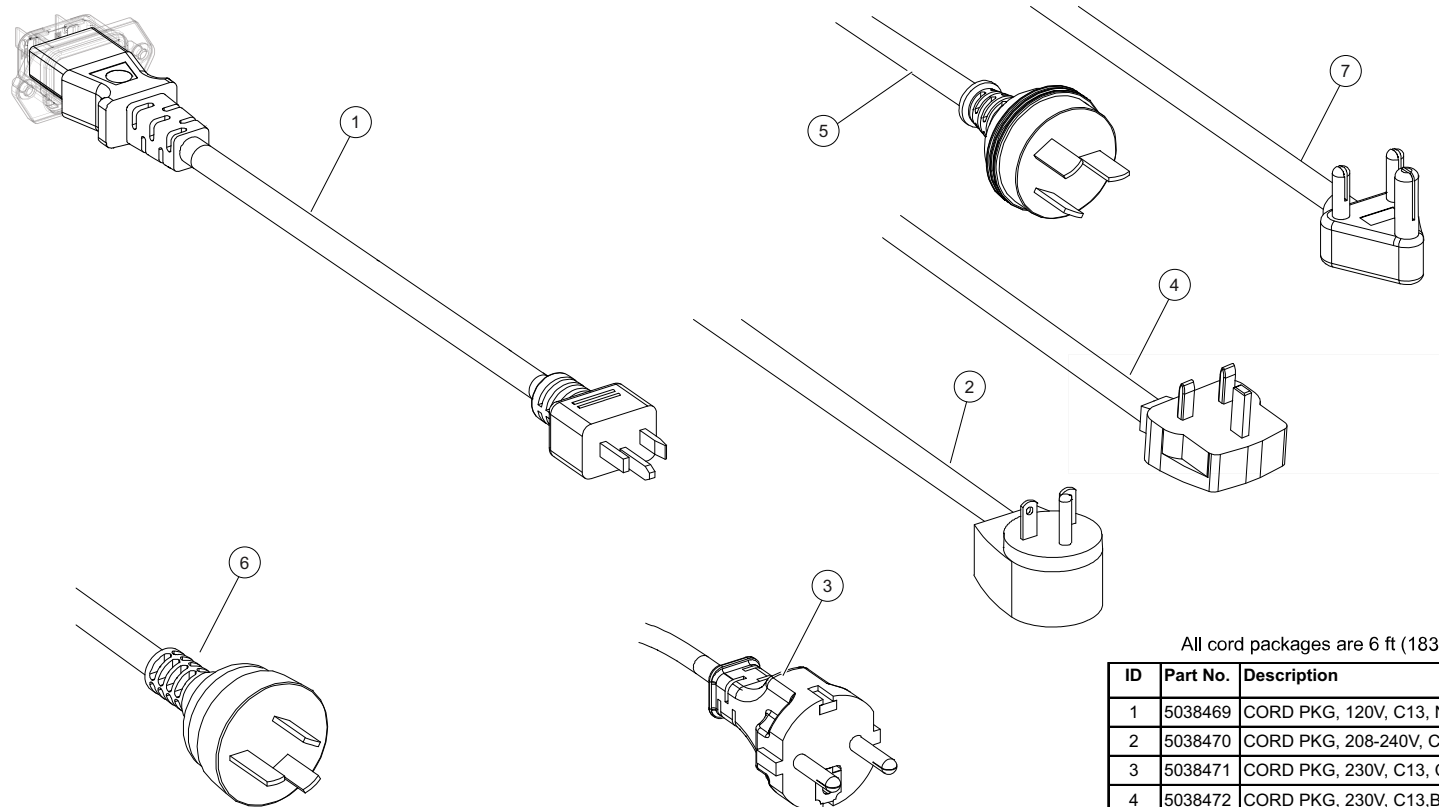
# Receptacle Assembly, C14 Seal



ID	Part No.	Description	Qty
1	RP-49481	RECEPTACLE,C14,SCREW ON	1
2	GS-49480	GASKET,RECEPTACLE,C14	1
3	5038217	RECEPTACLE,C14-SEAL,IP54	1
4	<a href="#">SC-23102</a>	SCREW,M3x0.5X10MM FLAT	2

5038416\_0

# Cord Assemblies

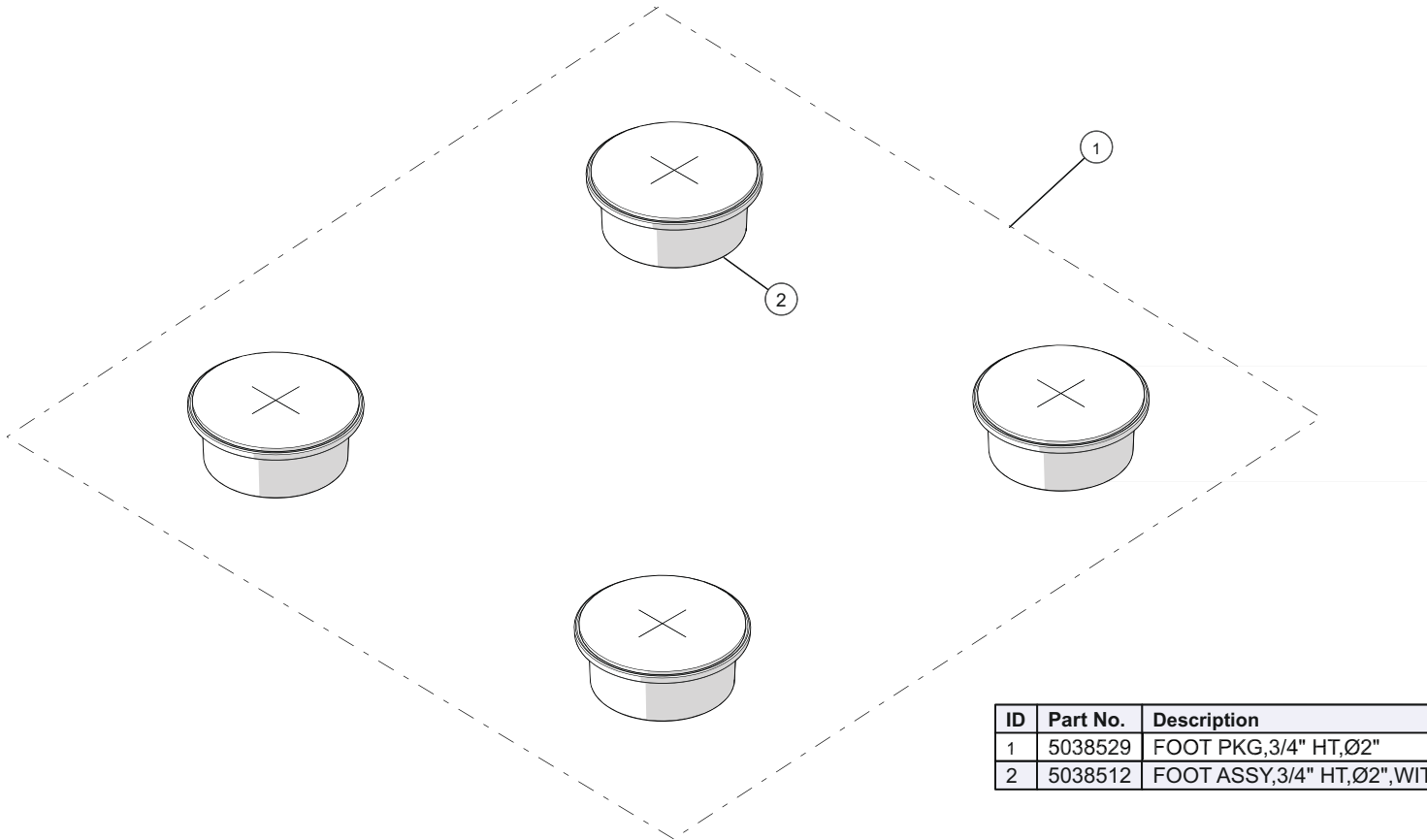


All cord packages are 6 ft (183cm) long

ID	Part No.	Description
1	5038469	CORD PKG, 120V, C13, NEMA 5-15P
2	5038470	CORD PKG, 208-240V, C13, NEMA 6-15P
3	5038471	CORD PKG, 230V, C13, CEEE, 7/7
4	5038472	CORD PKG, 230V, C13, BS-1363
5	5038473	CORD PKG, 230V, C13, CH2-16P
6	5038474	CORD PKG, 230V, AS/NZS 3112-2000
7	5038475	CORD PKG, 230V, C13, TYPE M IN1-16P

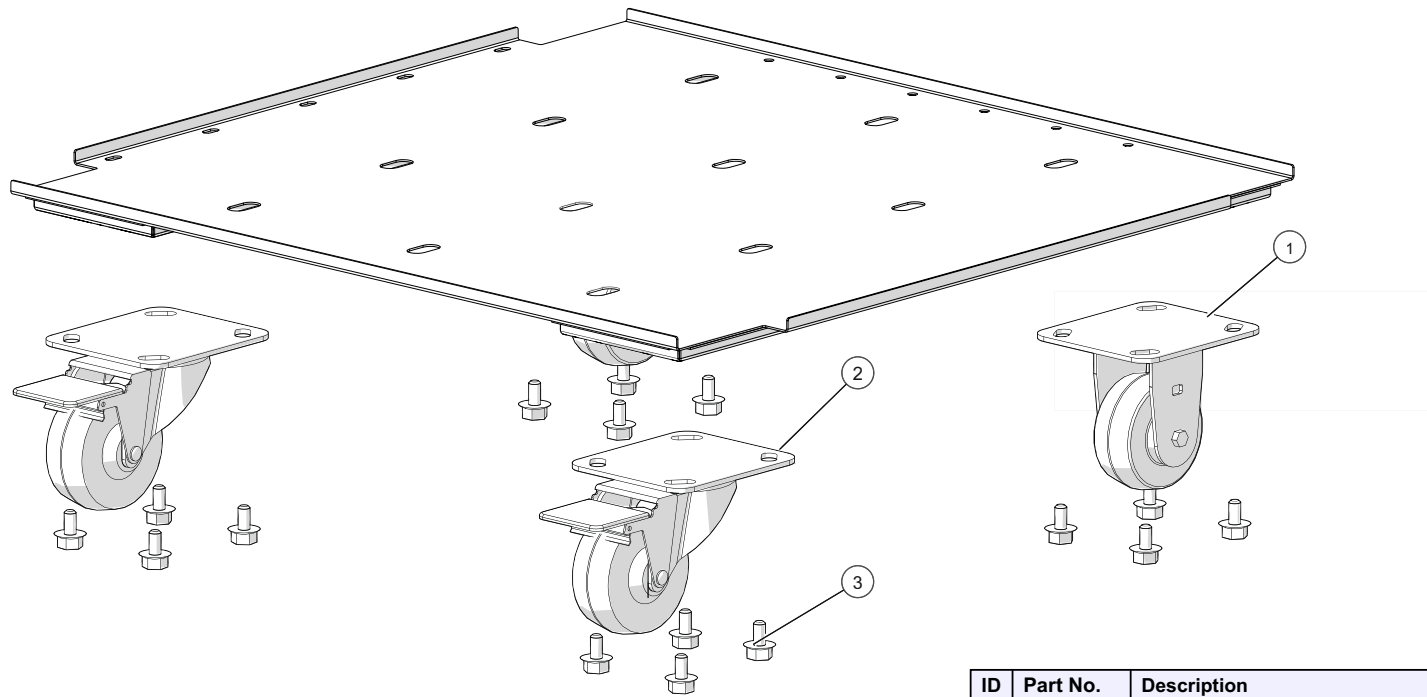
Power Cord Drawings\_0

# Foot Package



ID	Part No.	Description	Qty
1	5038529	FOOT PKG,3/4" HT,Ø2"	1
2	5038512	FOOT ASSY,3/4" HT,Ø2",WITH TAP	4

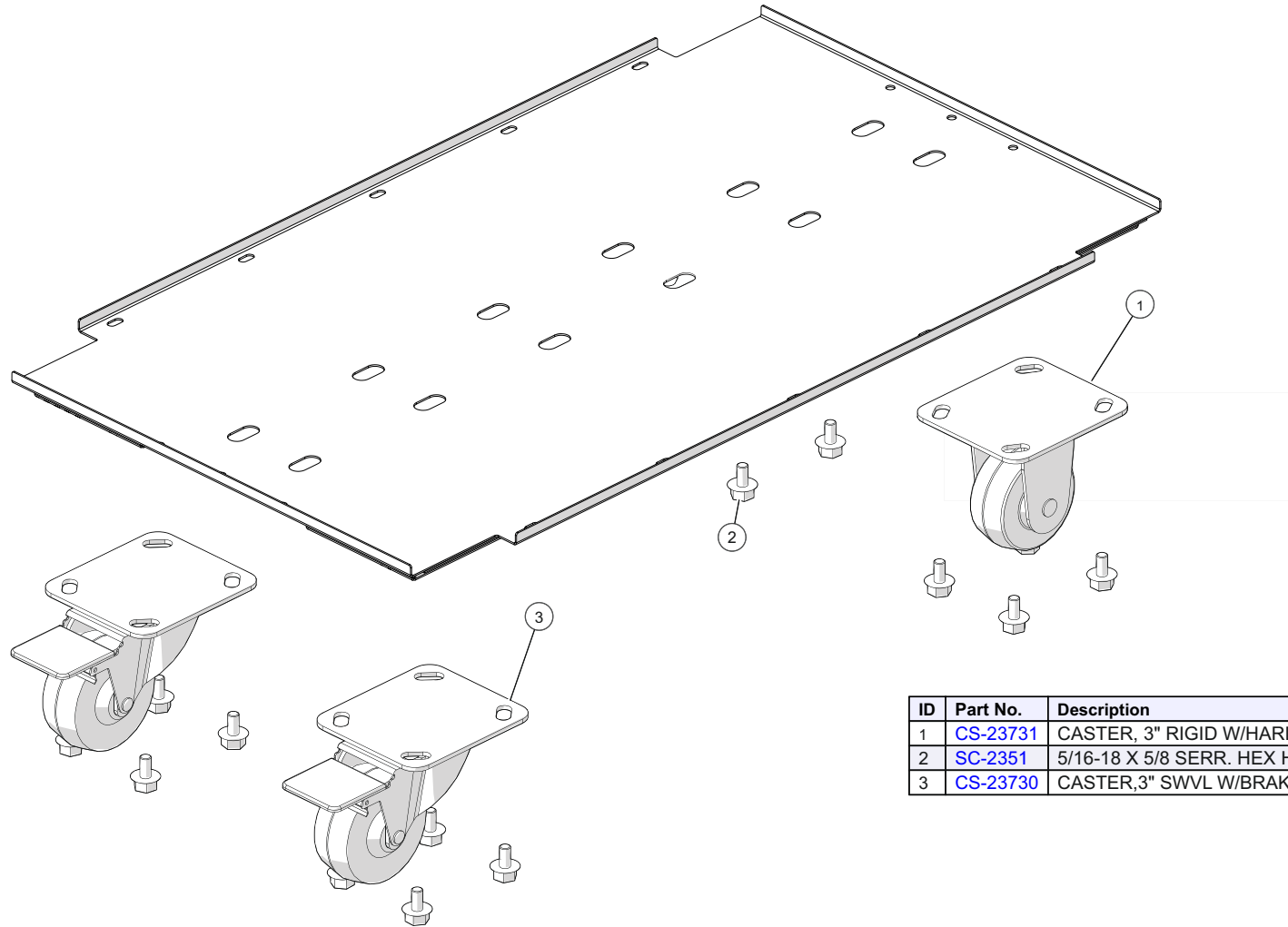
# Caster Stand, 500-D, 3 inch



ID	Part No.	Description	Qty
1	<a href="#">CS-23731</a>	CASTER, 3" RIGID W/HARD RUBBER	2
2	<a href="#">CS-23730</a>	CASTER, 3" SWVL W/BRAKE/PLATE	2
3	<a href="#">SC-2351</a>	5/16-18 X 5/8 SERR. HEX HD SCREW	16

5010920\_1

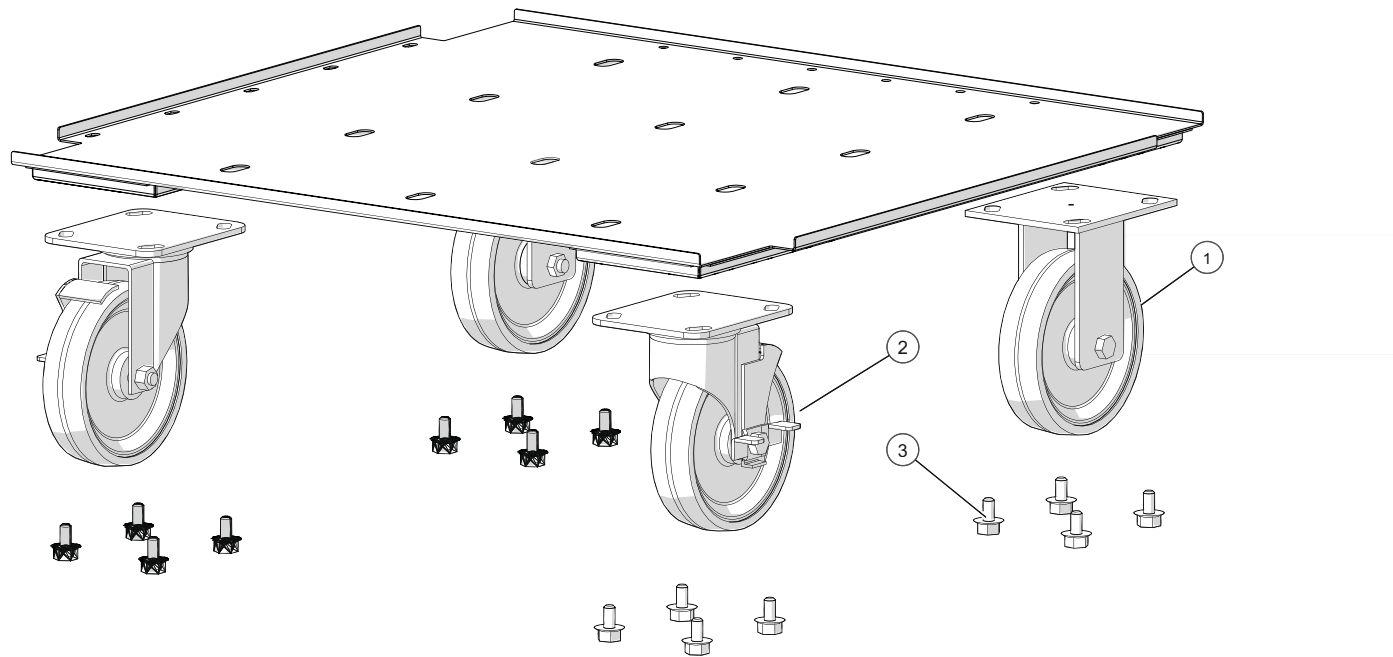
# Caster Stand, 500-DN, 3 inch



ID	Part No.	Description	Qty
1	CS-23731	CASTER, 3" RIGID W/HARD RUBBER	2
2	SC-2351	5/16-18 X 5/8 SERR. HEX HD SCREW	16
3	CS-23730	CASTER,3" SWVL W/BRAKE/PLATE	2

5010921\_1

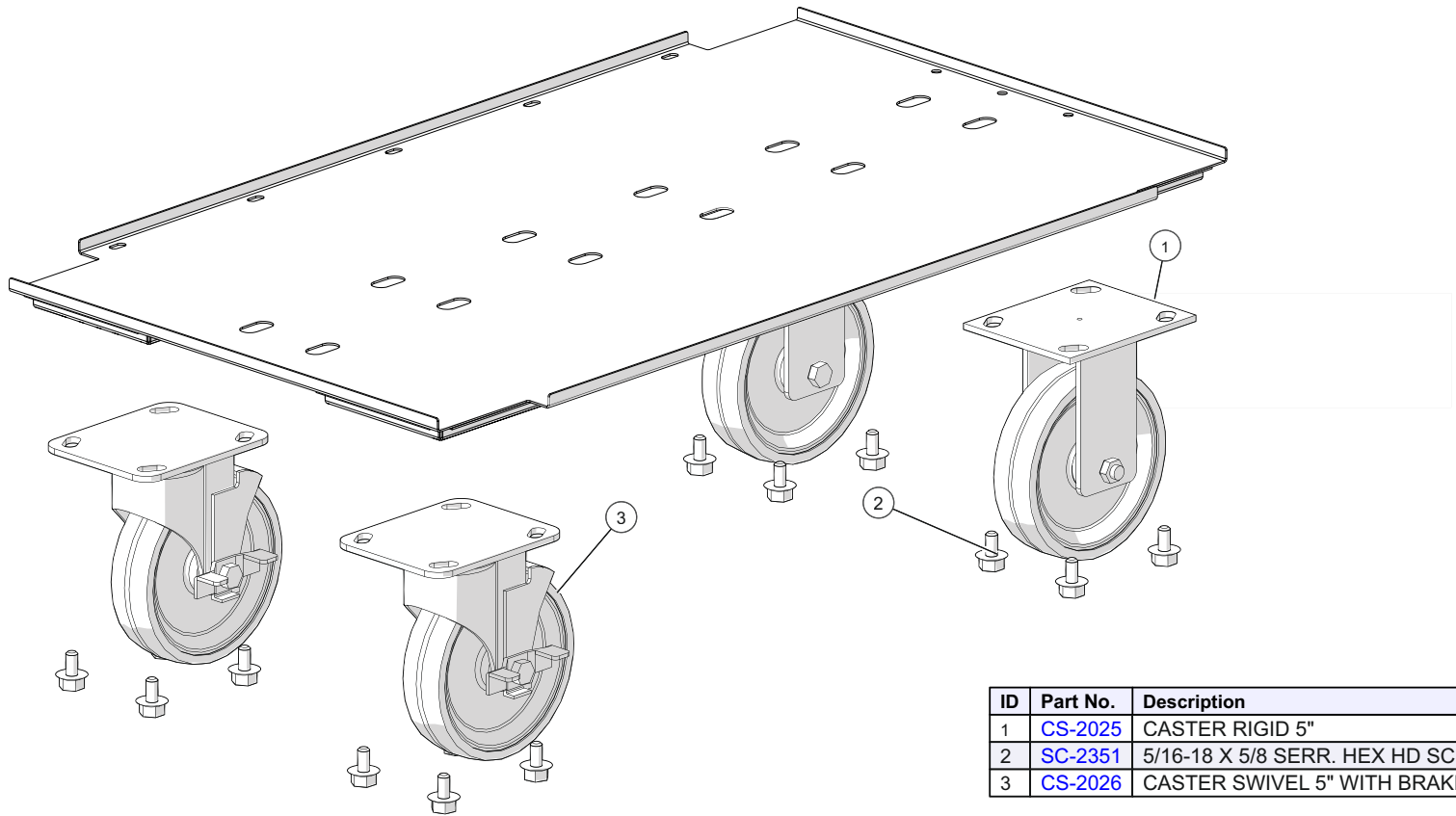
# Caster Stand, 500-D, 5 inch



ID	Part No.	Description	Qty
1	CS-2025	CASTER RIGID 5"	2
2	CS-2026	CASTER SWIVEL 5" WITH BRAKE	2
3	SC-2351	5/16-18 X 5/8 SERR. HEX HD SCREW	16

15379\_1

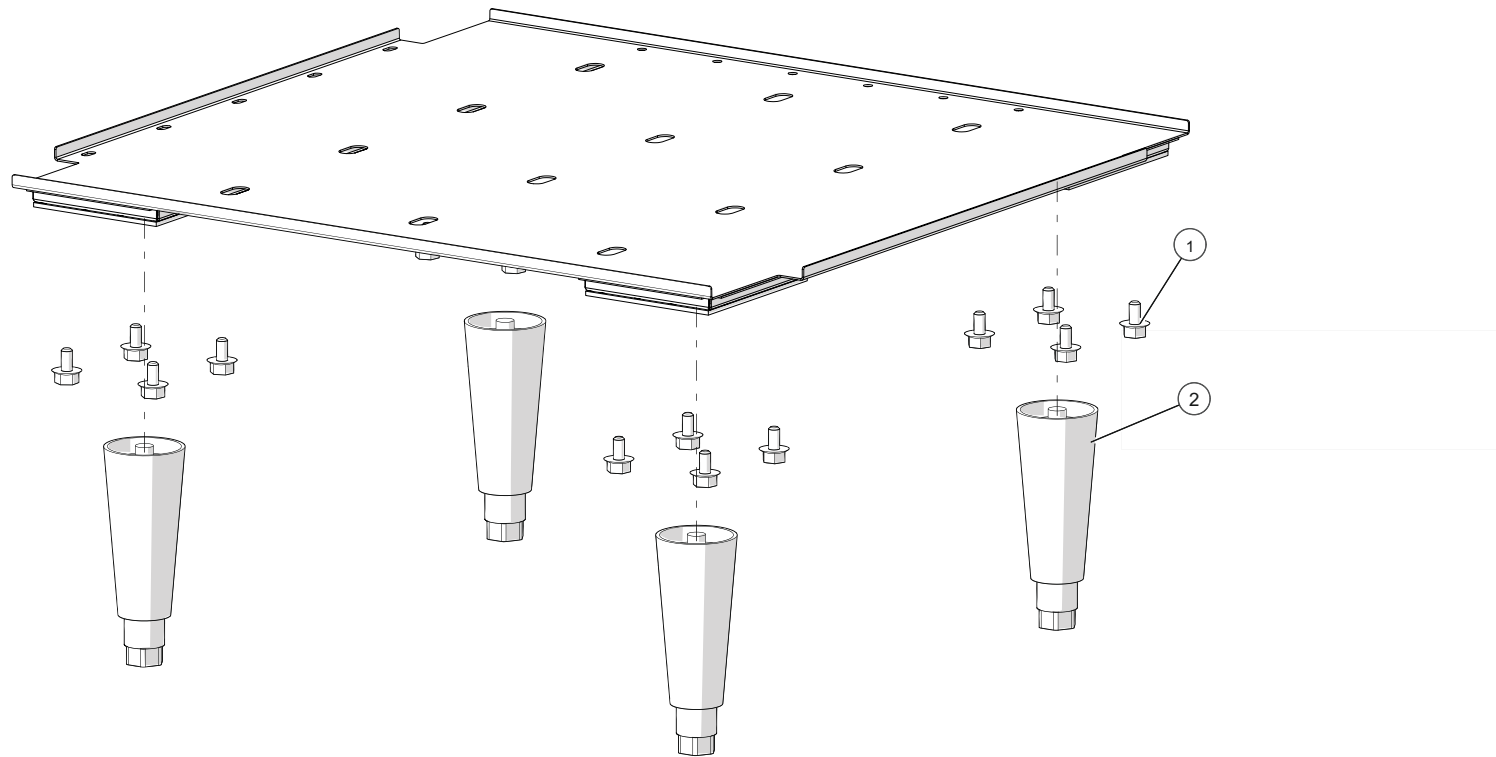
# Caster Stand, 500-DN, 5 inch



ID	Part No.	Description	Qty
1	CS-2025	CASTER RIGID 5"	2
2	SC-2351	5/16-18 X 5/8 SERR. HEX HD SCREW	16
3	CS-2026	CASTER SWIVEL 5" WITH BRAKE	2

55534\_1

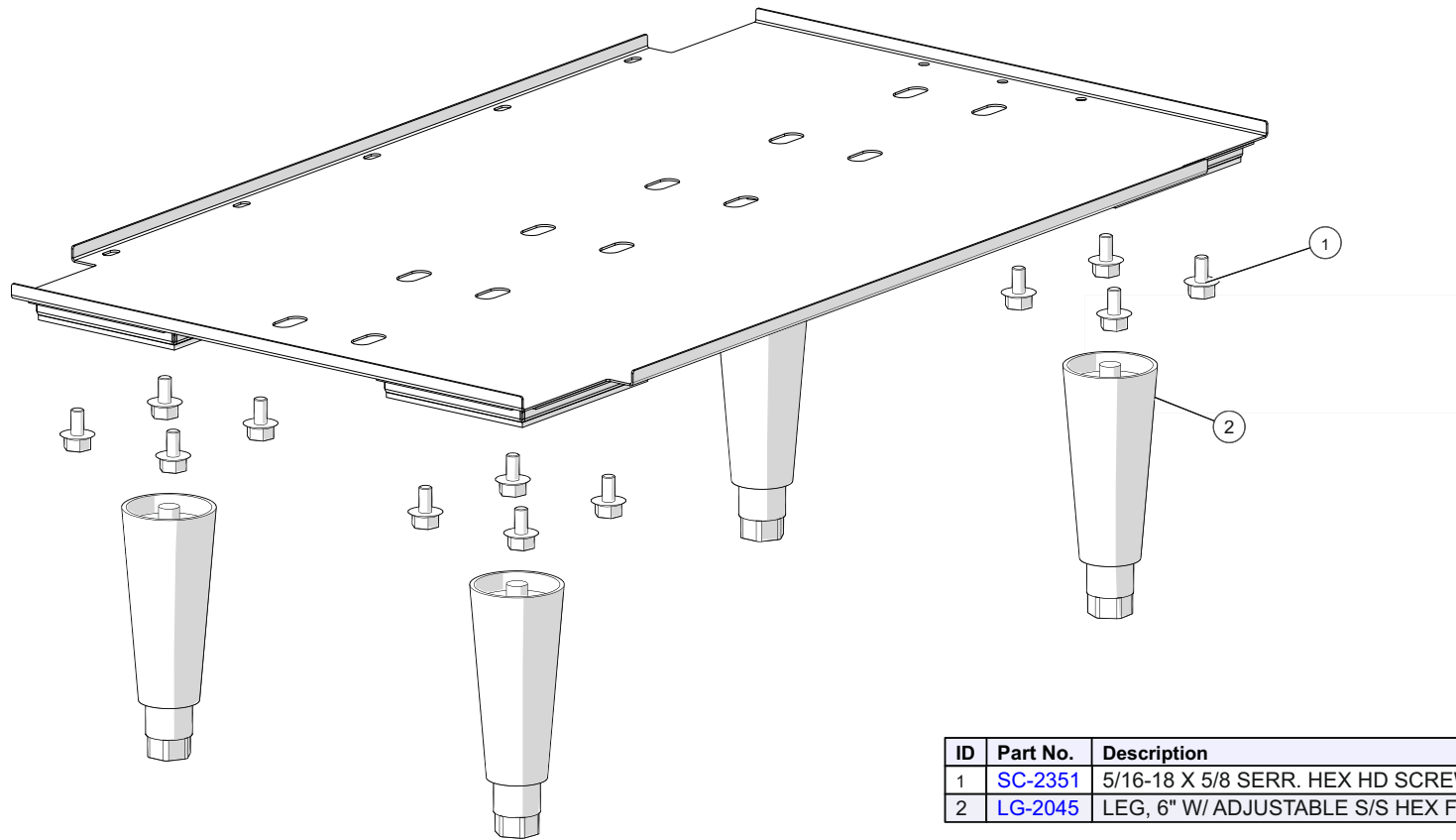
# Leg Stand, 500-D



ID	Part No.	Description	Qty
1	SC-2351	5/16-18 X 5/8 SERR. HEX HD SCREW	16
2	LG-2045	LEG, 6" W/ ADJUSTABLE S/S HEX FOOT	4

15380\_1

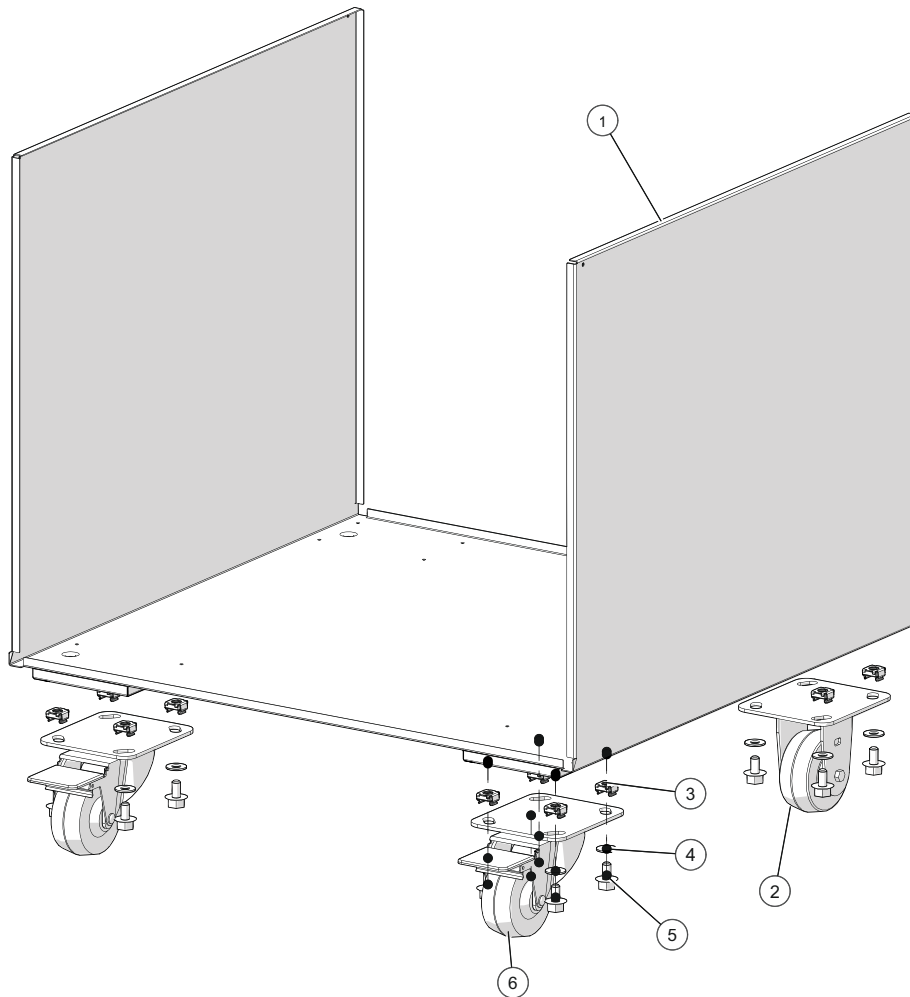
# Leg Stand, 500-DN



ID	Part No.	Description	Qty
1	<a href="#">SC-2351</a>	5/16-18 X 5/8 SERR. HEX HD SCREW	16
2	<a href="#">LG-2045</a>	LEG, 6" W/ ADJUSTABLE S/S HEX FOOT	4

55535\_1

# Caster Support Package, 500-2DI



ID	Part No.	Description	Qty
1	1026119	CASING, OUTER	1
2	<a href="#">CS-23731</a>	CASTER, 3" RIGID W/HARD RUBBER	2
3	NU-39317	NUT, CAGE, 5/16-18 THREAD	16
4	WS-23725	5/16 FLAT WASHER	16
5	<a href="#">SC-2351</a>	5/16-18 X 5/8 SERR. HEX HD SCREW	16
6	<a href="#">CS-23730</a>	CASTER,3" SWVL W/BRAKE/PLATE	2

5026152\_0

ALTO-SHAAM.

Menomonee Falls, WI U.S.A.

Phone: 920.770.0714 Fax: 920.771.7000 [www.alto-shaam.com](http://www.alto-shaam.com)