

Rotisserie—Electric Holding Cabinet—Electric

AR-7T
AR-7HT



Manufacturer's Information

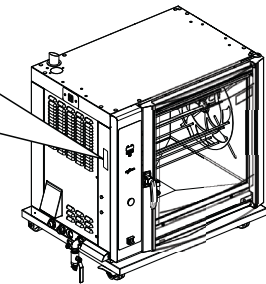
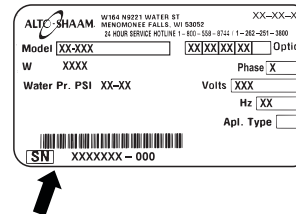
Copyright © Copyright 10/2022 by Alto-Shaam, Inc.
 All rights reserved.
 This manual or any portion thereof may not be reproduced or used in any manner whatsoever without the express written permission of Alto-Shaam, Inc

Trademarks All trademarks referenced in this documentation are the property of their respective owners.

Manufacturer Alto-Shaam, Inc.
 P.O. Box 450
 W164 N9221 Water Street
 Menomonee Falls, WI 53052

Models Covered

<p>AR-7T Rotisserie Reach-In Pass-Through</p> <p>AR-7HT Rotisserie Holding Cabinet Reach-In Pass-Through</p>	<p>RH - Right-Hand Swing Door LH - Left-Hand Swing Door</p> <p>US (UL Certified) Models International (CE Certified) Models</p>
--	---



Serial Number The unit serial number is required for ordering the correct service parts. Record the unit serial number in the space provided below.

Serial Number

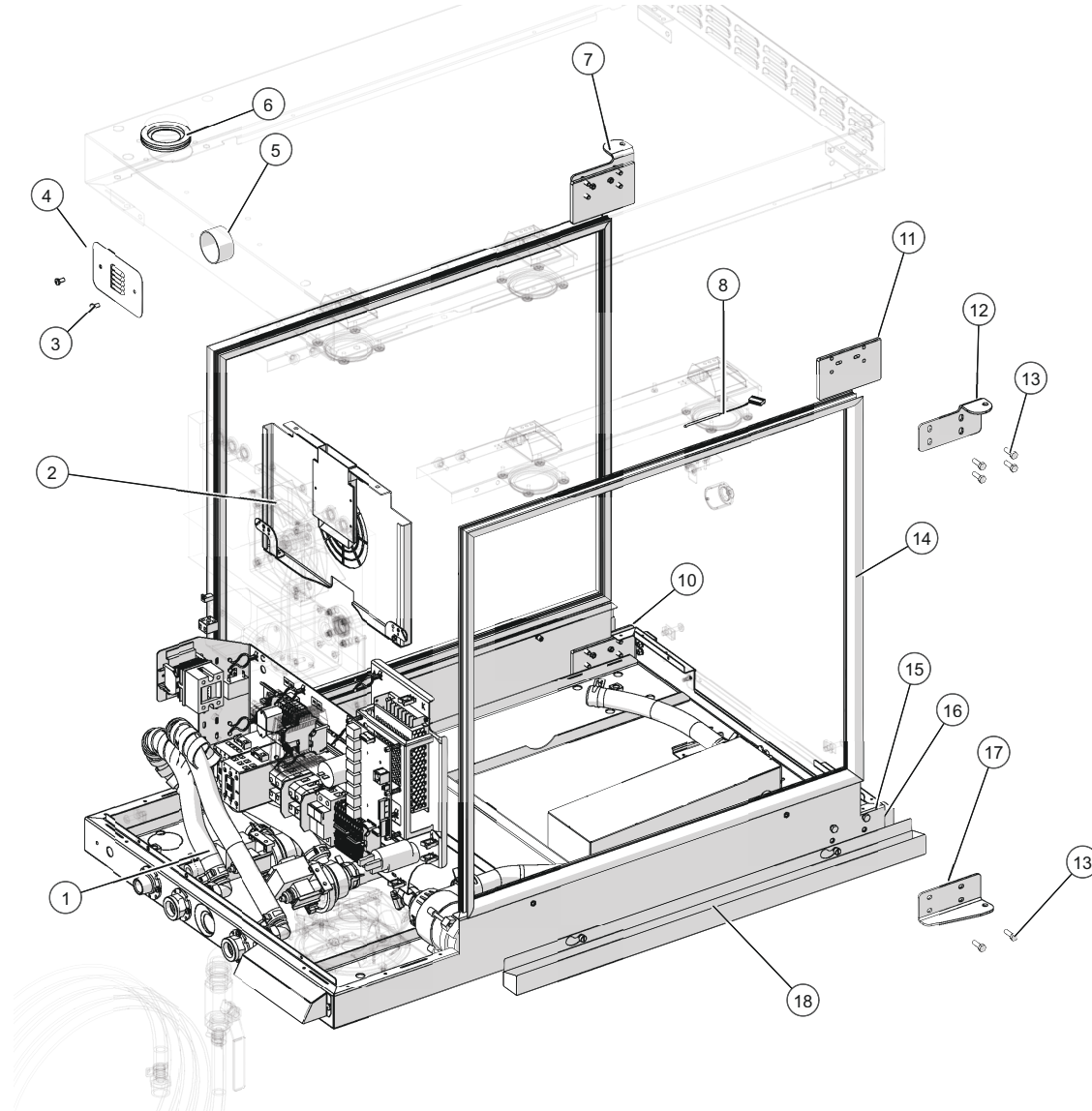
Parts Ordering Information Original manufacturer's replacement parts may be ordered directly from the Alto-Shaam network of Authorized Service Agents and Parts Distributors. Follow this link for a map to a local partner: <https://www.alto-shaam.com/en/how-to-buy>. If you are an Authorized Service Agent or Parts Distributor, please submit your purchase order to parts@alto-shaam.com.

Non-OEM parts may be substituted; however, these parts must be of equal quality and specifications as those provided by Alto-Shaam.

Table of Contents

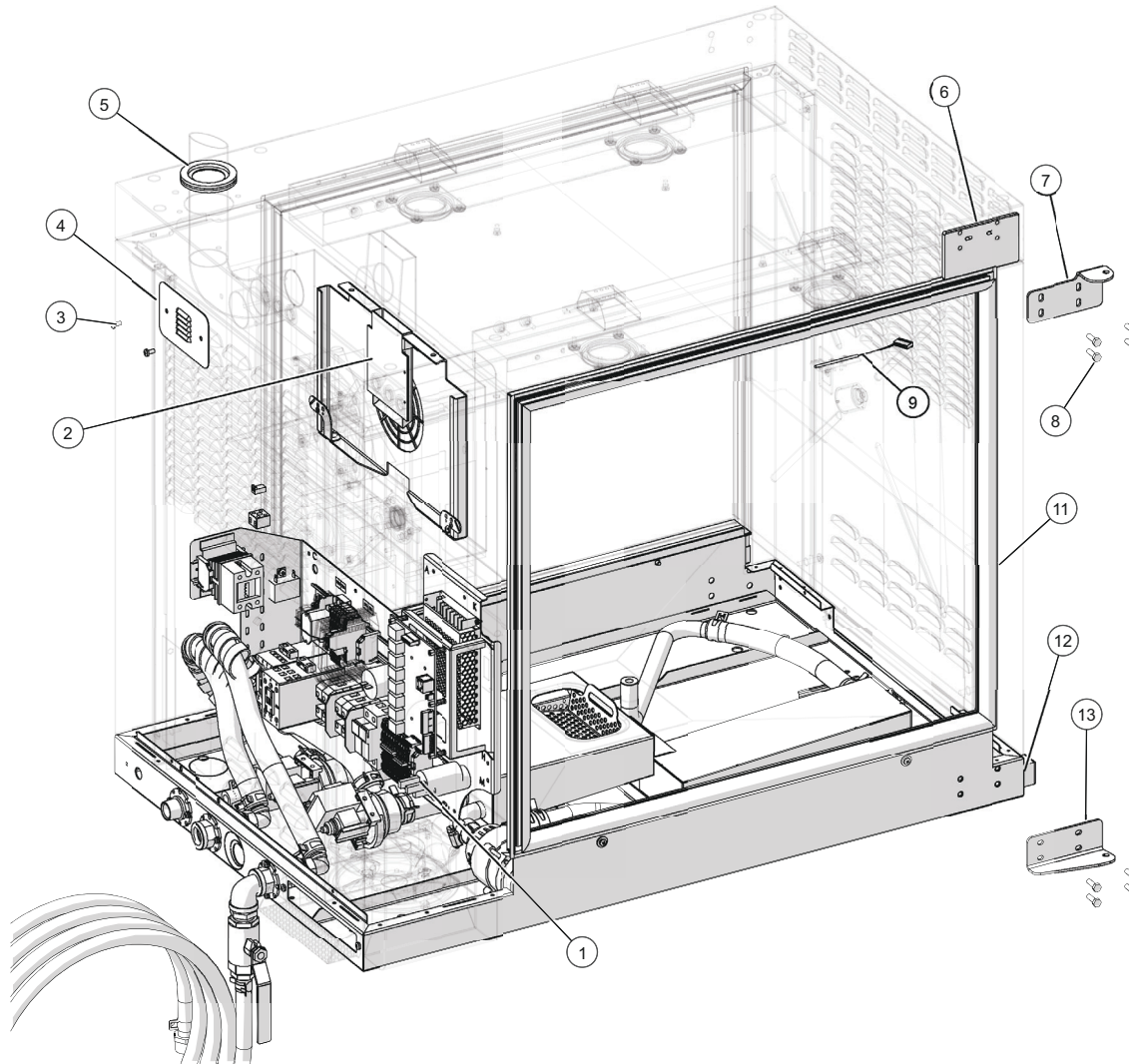
Manufacturer’s Information	2	AR-7T / AR-7HT Door Assembly, Flat Back	32
Table of Contents	3	AR-7T Plumbing/Wash Assembly (60” Hose)	33
AR-7T Cavity Core Package, Pass-Thru	4	AR-7T Plumbing/Wash Assembly (60” Hose)	34
AR-7T Cavity Core Package, Reach-In (120” wash hose).....	5	AR-7T Plumbing/Wash Assembly (120” Hose)	35
AR-7T Cavity Core Package, Reach-In (60” wash hose).....	6	Grease Collection Hose Service Kit, 60”	36
AR-7T Core Common Parts.....	7	Grease Collection Hose Service Kit, 120”	37
AR-7HT Cavity Core Package, Pass-Thru.....	8	Water Heater Tank Assembly	38
AR-7HT Cavity Core Package, Reach-In.....	9	AR-7T Tablet Soap Injection Package	39
AR-7T / AR-7HT Panel Assembly, Reach-In (Stainless Steel).....	10	AR-7T Liquid Soap Injection Package	40
AR-7T / AR-7HT Panel Assembly, Reach-In (Black).....	11	AR-7T Liquid Soap Injection Package, Ecolab Cleaner	41
AR-7T / AR-7HT Panel Assembly, Reach-In (Burgundy)	12	AR-7T Spit Assembly, 7-Spit, V-Spit, Standard	42
AR-7T / AR-7HT Panel Assembly, Pass-Thru (Stainless Steel).....	13	AR-7T Spit Assembly, 7-Spit, Pierce Only.....	43
AR-7T / AR-7HT Panel Assembly, Pass-Thru (Black).....	14	AR-7T Spit Assembly, 7-Spit, V-Spits Only	44
AR-7T / AR-7HT Panel Assembly, Pass-Thru (Burgundy)	15	AR-7T Spit Assembly, 7-Spit, Pierce and Baskets	45
AR-7T Electrical Assembly, 208V 1Ø	16	AR-7T Spit Assembly, 7-Spit, Baskets Only.....	46
AR-7T Electrical Assembly, 208V 3Ø	17	AR-7T Spit Assembly, Large V-Spit Package.....	47
AR-7T Electrical Assembly, 240V 1Ø	18	AR-7HT Rack Package	48
AR-7T Electrical Assembly, 240V 3Ø	19		
AR-7T Electrical Assembly, 380V-415V 3Ø.....	20		
AR-7HT Electrical Package, 120V, 208V-240V 1Ø	21		
AR-7HT Electrical Package, 230V International.....	22		
AR-7T Electrical Chassis, 208-240V 1Ø	23		
AR-7T Electrical Chassis, 208-240V 3Ø	24		
AR-7T Electrical Chassis, 380-415V 3Ø	25		
AR-7HT Electrical Chassis (all voltages).....	26		
AR-7HT Power Cords	27		
AR-7T / AR-7HT Door Assembly, Curved, RH.....	28		
AR-7T / AR-7HT Door Assembly, Curved, LH	29		
AR-7T / AR-7HT Door Assembly, Flat, RH.....	30		
AR-7T / AR-7HT Door Assembly, Flat, LH	31		

AR-7T Cavity Core Package, Pass-Thru



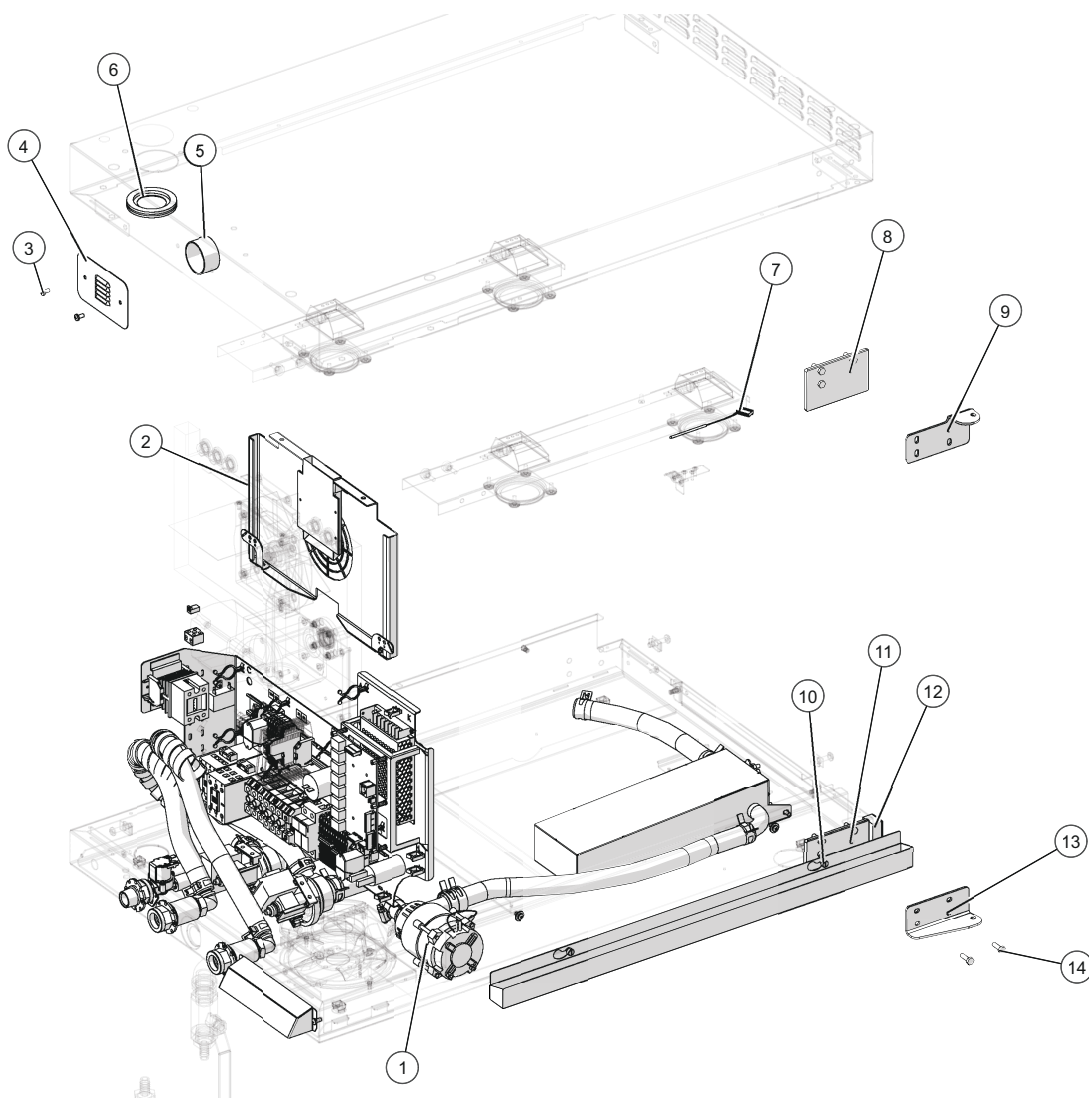
ID	Part No.	Description
1	—	PLUMBING,WASH,AR-7T
2	5020399R	KIT, DIRECTIONAL PANEL ASSY
3	SC-22766	SCREW,M5x0.8X10MM PAN
4	1021200	AIR INTAKE MOUNTING PLATE
5	1021712	TUBE, COUPLING
6	BU-28391	BUSHING, SOCKET, MEMBRANE
7	1033643	HINGE, UPPER, LH, SLOTTED
8	5023738R	SENSOR ASSY,100 OHM
10	1033646	HINGE, LOWER, LH, SLOTTED
11	1023603	PLATE,HINGE,SUPPORT,AR-7/AR-7T
12	1033639	HINGE, UPPER, RH, SLOTTED
13	SC-28256	SCREW, M6 X 20 HEX S/S HD
14	GS-47600	DOOR GASKET
15	1024505	PLATE,HINGE,SUPPORT,BOTTOM
16	BK-38799	BLOCK,DOOR,STOP,AR-7
17	1033641	HINGE, LOWER, RH, SLOTTED
18	5018765R	DRIP TRAY PKG, NO DRAIN

AR-7T Cavity Core Package, Reach-In (120" wash hose)



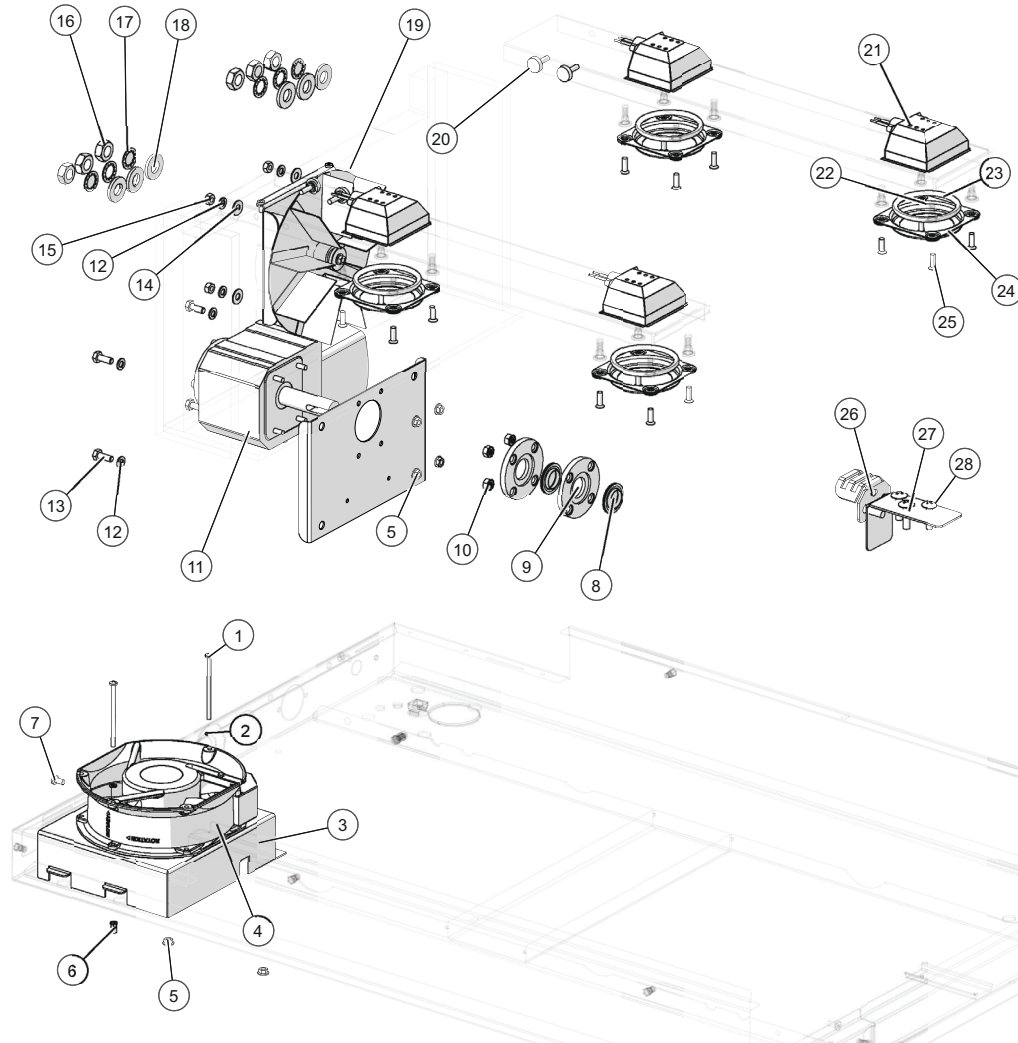
ID	Part No.	Description
1	5022269	PLUMBING,WASH,AR-7T
2	5020399R	KIT, DIRECTIONAL PANEL ASSY
3	SC-22766	SCREW,M5x0.8X10MM PAN
4	1021200	AIR INTAKE MOUNTING PLATE
5	BU-28391	BUSHING, SOCKET, MEMBRANE
6	1023603	PLATE,HINGE,SUPPORT,AR-7/AR-7T
7	1033639	HINGE, UPPER, RH, SLOTTED
8	SC-28256	SCREW, M6 X 20 HEX S/S HD
9	5023738R	SENSOR ASSY,100 OHM
11	GS-47600	DOOR GASKET
12	BK-38799	BLOCK,DOOR,STOP,AR-7
13	1033641	HINGE, LOWER, RH, SLOTTED

AR-7T Cavity Core Package, Reach-In (60" wash hose)



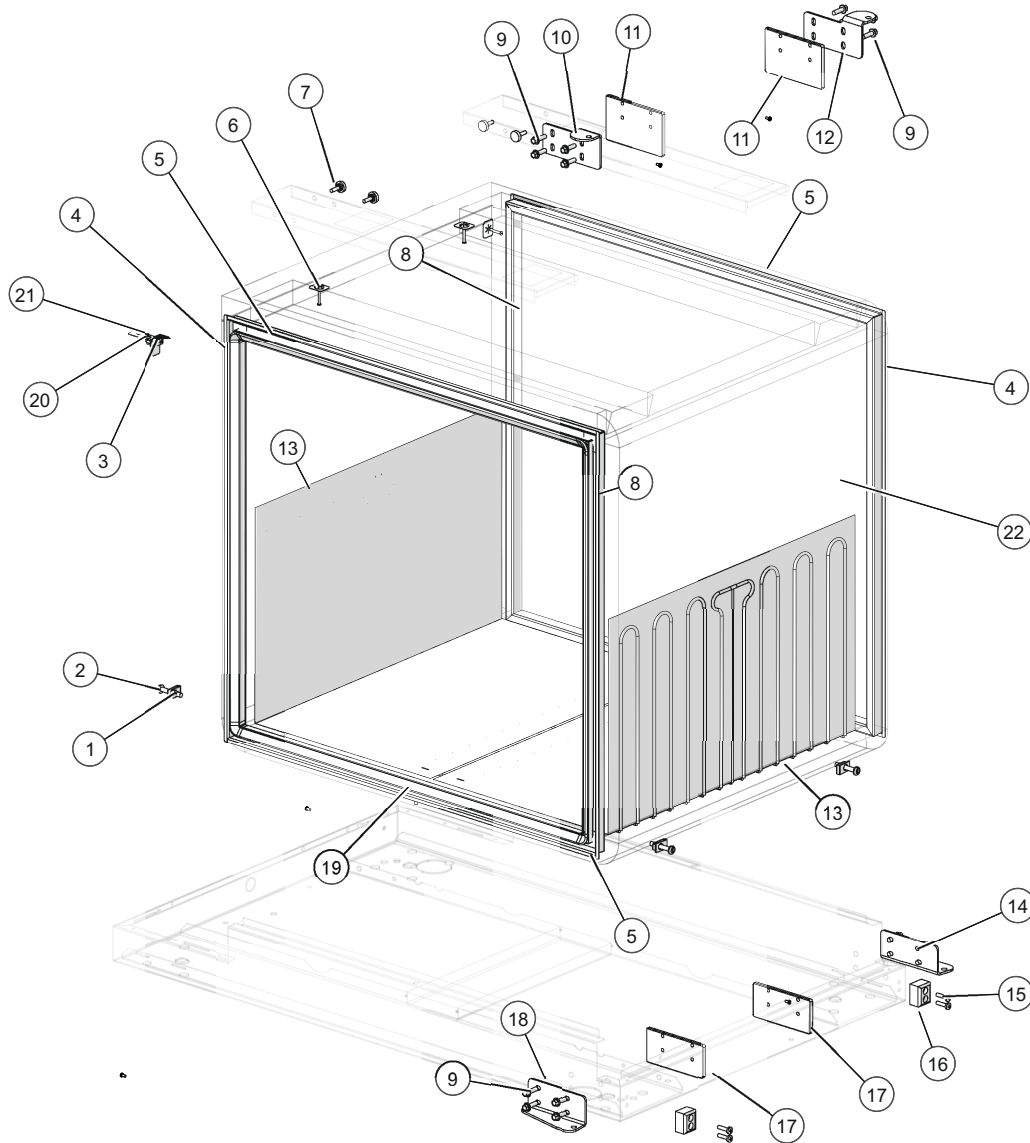
ID	Part No.	Description
1	—	PLUMBING, WASH, AR-7T
2	5020399R	KIT, DIRECTIONAL PANEL ASSY
3	SC-22766	SCREW, M5x0.8X10MM PAN
4	1021200	AIR INTAKE MOUNTING PLATE
5	1021712	TUBE, COUPLING
6	BU-28391	BUSHING, SOCKET, MEMBRANE
7	5023738R	SENSOR ASSY, 100 OHM
8	1023603	PLATE, HINGE, SUPPORT, AR-7/AR-7T
9	1033639	HINGE, UPPER, RH, SLOTTED
10	5018765R	DRIP TRAY PKG, NO DRAIN
11	1024505	PLATE, HINGE, SUPPORT, BOTTOM
12	BK-38799	BLOCK, DOOR, STOP, AR-7
13	1033641	HINGE, LOWER, RH, SLOTTED
14	SC-28256	SCREW, M6 X 20 HEX S/S HD

AR-7T Core Common Parts



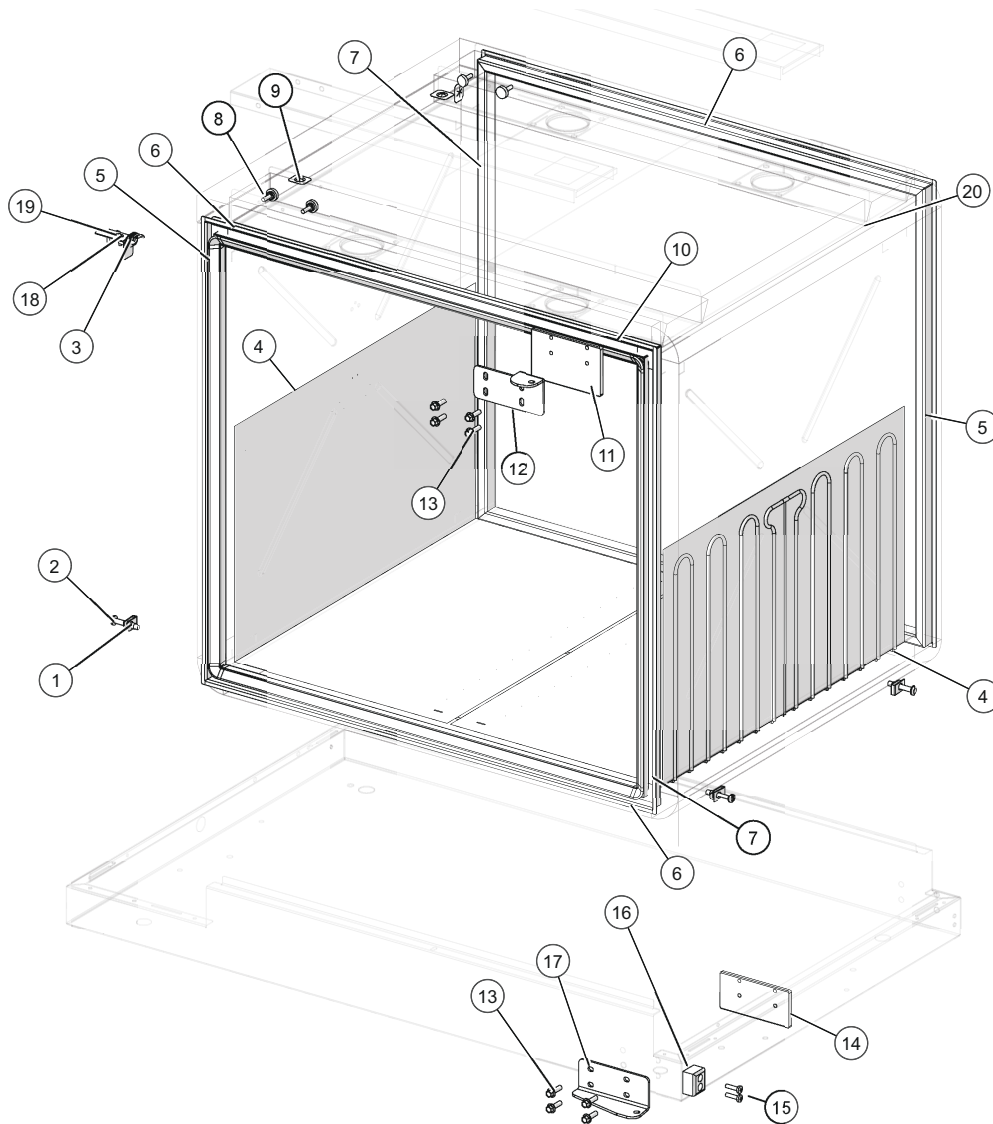
ID	Part No.	Description
1	SC-36699	SCREW,M4x0.7X70MM PAN
2	WS-22300	WASHER, SPLIT LOCK
3	1017419	BRACKET, FAN, AR-7
4	FA-36690	FAN, AXIAL, 230V, 172X150X55MM
5	NU-38212	NUT,M5-0.8 HEX FLG-SERR CL8 SS
6	NU-26866	NUT, HEX INSERT M4
7	SC-22766	SCREW,M5x0.8X10MM PAN
8	BU-27387	BUSHING, SEAL, ROTO SHAFT
9	SA-39647	GLAND, SEAL, Ø19MM
10	NU-35844	NUT, KEPS, M6X1.0, SS
11	5023741	MOTOR ASSY,AC,DRIVE
12	WS-22302	WASHER, M6 SPLIT LOCK
13	SC-22284	SCREW, M6 X 16 HEX S/S HD
14	WS-22094	WASHER, 1/4", FLAT, 5/8 OD 18-8 SS
15	NU-22291	M6-1.0 X HEX S/S NUT 18-8
16	NU-39759	NUT, HEX JAM, 1/2-20 UNF
17	WS-26291	WASHER, 1/2" LOCK, 410 S/S
18	WS-39758	WASHER, FLAT, 1/2" ID,18-8 SST
19	WH-37079	FAN WHEEL-175 DIA.X40MM WIDE
20	SC-38381	SCREW, THUMB, M5 X 16
21	LP-38610	LAMP ASM, 20W, W/OUT GLASS
22	GL-38608	GLASS, ROUND, CLEAR
23	GS-39486	GASKET, -332, 75A SHORE
24	CV-23896	ML, S/S RING, LIGHT COVERED CORNER
25	SC-22281	SCREW, M5 X 16 FLAT HEAD CSINK
26	1002048	GUARD, PROBE
27	1002261	CLIP, PROBE
28	SC-2472	SCREW,6-32 X1/2" TRH

AR-7HT Cavity Core Package, Pass-Thru



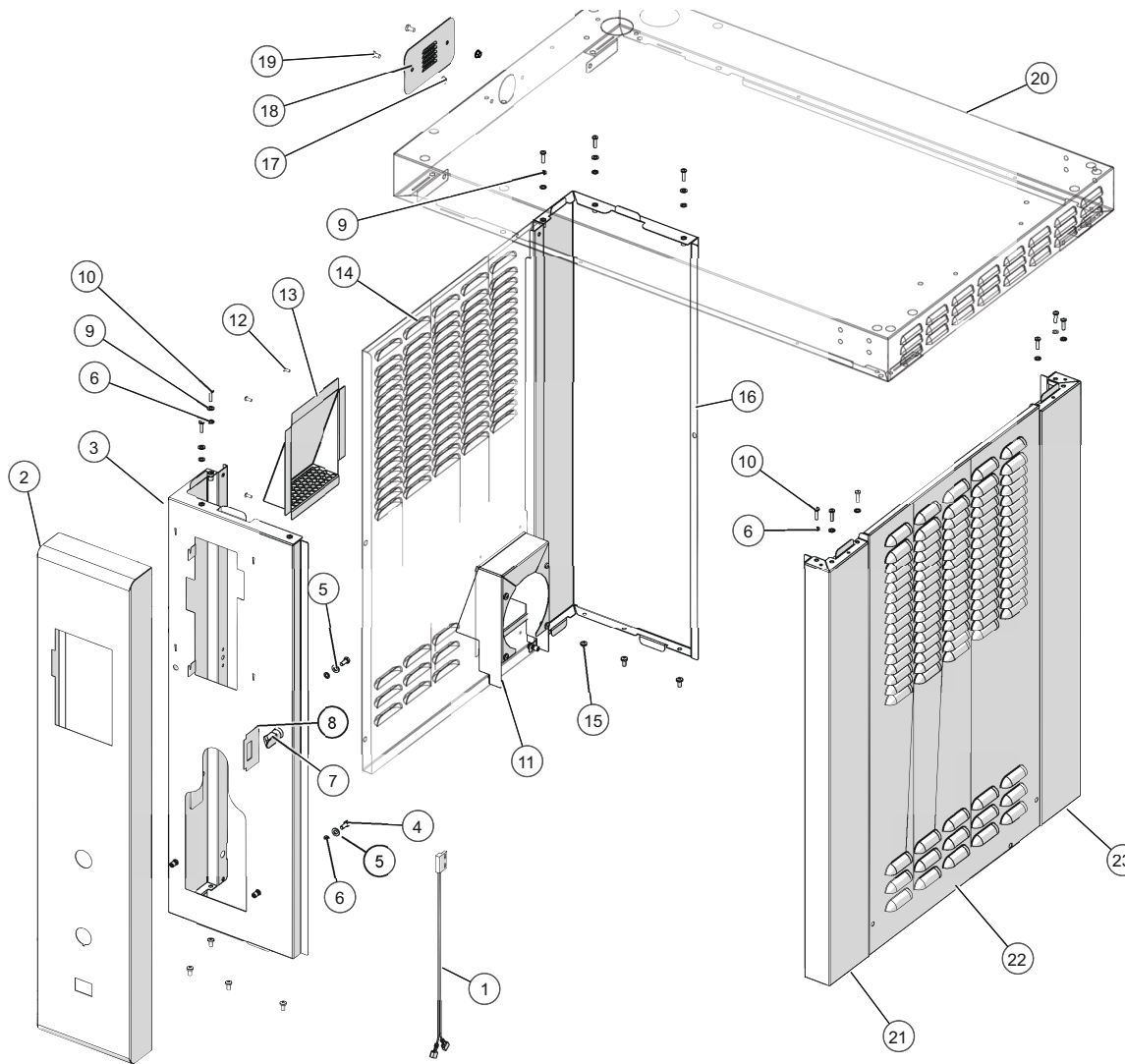
ID	Part No.	Description
1	NU-24004	NUT, U-STYLE 1/4-20 THREADED
2	SC-39832	SCREW, 1/4-20X1 1/2", PAN
3	1002048	GUARD, PROBE
4	1017388	GASKET CHANNEL, LEFT SIDE
5	1017385	GASKET CHANNEL, UPPER/LOWER
6	CL-22259	CLIP, INSULATION PIN
7	SC-38381	SCREW, THUMB, M5 X 16
8	1017542	GASKET CHANNEL, RIGHT SIDE
9	SC-28256	SCREW, M6X1X20MM HEX FLG
10	1033639	HINGE, UPPER, RH, SLOTTED
11	1023603	PLATE, HINGE, SUPPORT, AR-7/AR-7T
12	1033643	HINGE, UPPER, LH, SLOTTED
13	EL-37168	ELEMENT, FOIL HEAT PAD, 725W
14	1033646	HINGE, LOWER, LH, SLOTTED
15	SC-22779	M5-0.8 X 20 MM, PH PAN HD, M/S
16	BK-38799	BLOCK, DOOR, STOP, AR-7
17	1024505	PLATE, HINGE, SUPPORT, BOTTOM
18	1033641	HINGE, LOWER, RH, SLOTTED
19	GS-47600	GASKET, DOOR, AR-7
20	1002261	CLIP, PROBE
21	SC-2472	SCREW, 6-32 X 1/2" TRH
22	1018700	INSULATION, CAVITY WRAP

AR-7HT Cavity Core Package, Reach-In

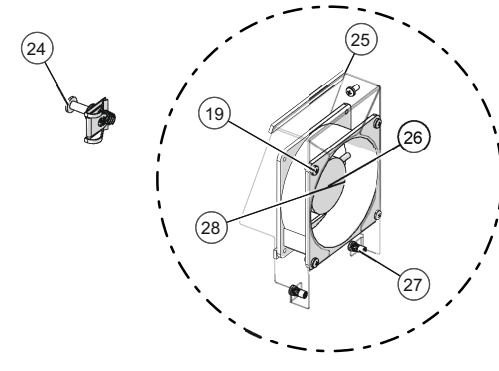


ID	Part No.	Description
1	NU-24004	NUT, U-STYLE 1/4-20 THREADED
2	SC-39832	SCREW, 1/4-20X1 1/2", PAN
3	1002048	GUARD, PROBE
4	EL-37168	ELEMENT, FOIL HEAT PAD, 725W
5	1017388	GASKET CHANNEL, LEFT SIDE
6	1017385	GASKET CHANNEL, UPPER/LOWER
7	1017542	GASKET CHANNEL, RIGHT SIDE
8	SC-38381	SCREW, THUMB, M5 X 16
9	CL-22259	CLIP, INSULATION PIN
10	GS-47600	GASKET, DOOR, AR-7
11	1023603	PLATE, HINGE, SUPPORT, AR-7/AR-7T
12	1033639	HINGE, UPPER, RH, SLOTTED
13	SC-28256	SCREW, M6X1X20MM HEX FLG
14	1024505	PLATE, HINGE, SUPPORT, BOTTOM
15	SC-22779	M5-0.8 X 20 MM, PH PAN HD, M/S
16	BK-38799	BLOCK, DOOR, STOP, AR-7
17	1033641	HINGE, LOWER, RH, SLOTTED
18	SC-2472	SCREW, 6-32 X 1/2" TRH
19	1002261	CLIP, PROBE
20	1018700	INSULATION, CAVITY WRAP

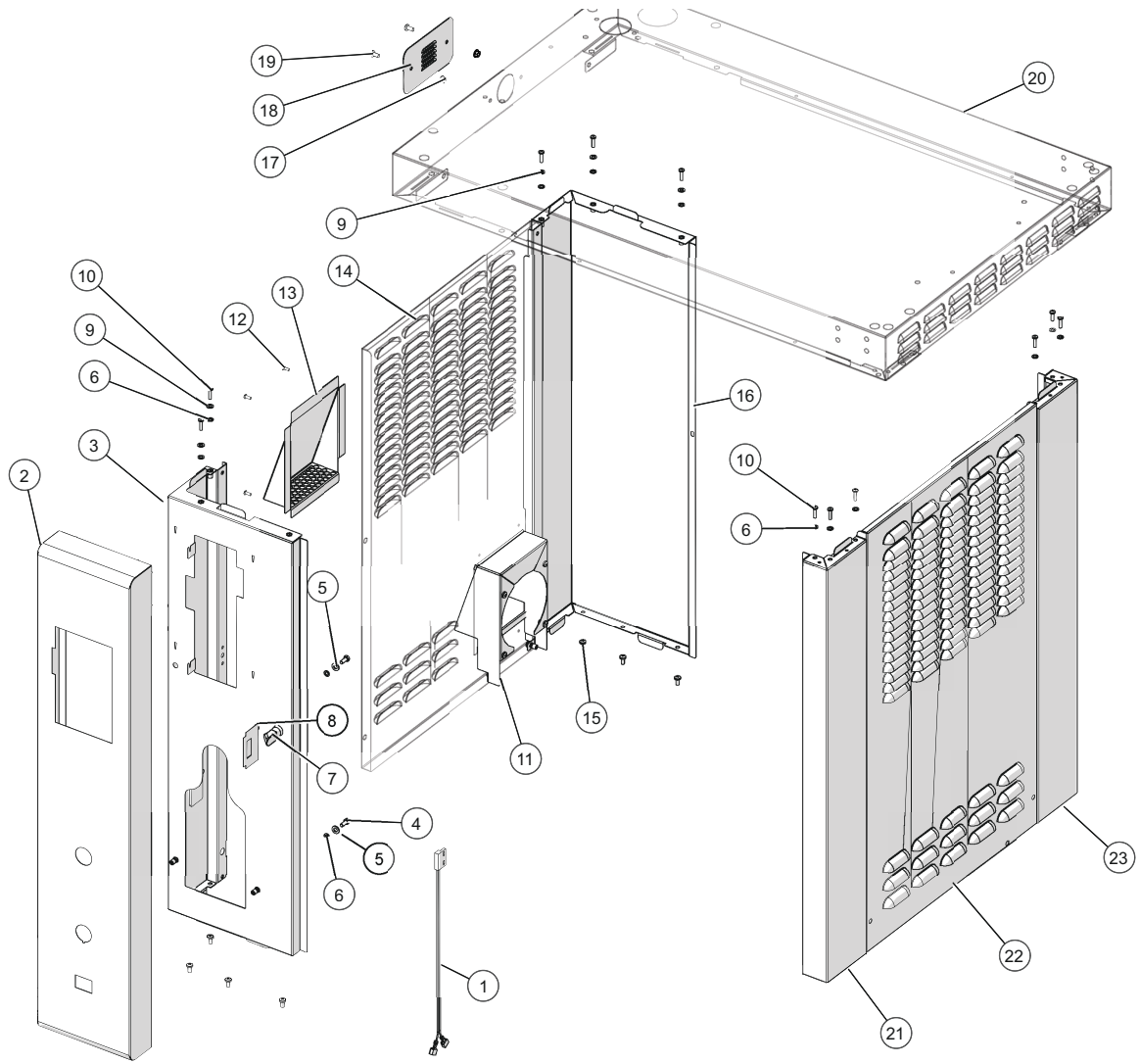
AR-7T / AR-7HT Panel Assembly, Reach-In (Stainless Steel)



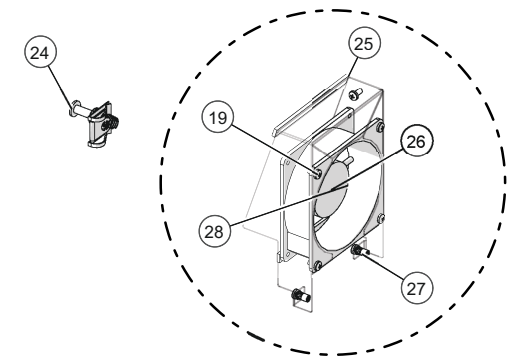
ID	Part No.	Description
1	5023739R	SERVICE KIT, SWITCH ASSY
2	5019977	BUMP-OUT CNTL CORNER, RH, SS
3	1024074	PANEL, CONTROL, BUMP OUT
4	SC-26163	SCREW, M5x0.8x12MM HEX
5	WS-22297	WASHER, FLAT
6	WS-22301	WASHER, M5 SPLIT LOCK
7	LT-38342	LATCH, DOOR, DOG, LONG NOSE
8	5023739R	SWITCH ASSY, PROXIMITY SENSOR
9	WS-22295	WASHER, FLAT M5 S/S
10	SC-38240	SCREW, M4x0.7X16MM PAN
11	5024080	PANEL ACCESS FAN ASSY
12	RI-38125	RIVET, SEALED, .125"
13	1023652	VENT COVER, LF ACCESS PANEL
14	5024068	ASSEMBLY, ACCESS PANEL, S/S
15	SC-22766	SCREW, M5x0.8X10MM PAN
16	1016847	PANEL, NON-CTRL SIDE, RH
17	NU-38212	NUT, M5-0.8 HEX FLG-SERR CL8 SS
18	1021200	AIR INTAKE MOUNTING PLATE
19	SC-22766	SCREW, M5x0.8X10MM PAN
20	1023329	PANEL, TOP
21	1016849	PANEL, RIGHT, FRONT, STAINLESS
22	1017501	PANEL ACCESS, NON-CTRL SIDE
23	1016848	PANEL, RIGHT, REAR, STAINLESS
24	5018984	ACCESS PANEL FASTENER ASSY.
25	GS-23622	.375" WIDE FOAM TAPE [lin ft]
26	FA-3568	FAN HOUSING, 119mm x 119mm x 38mm
27	NU-23909	NUT, HEX INSERT M5
28	1023656	ACCESS PNL FAN HOUSING



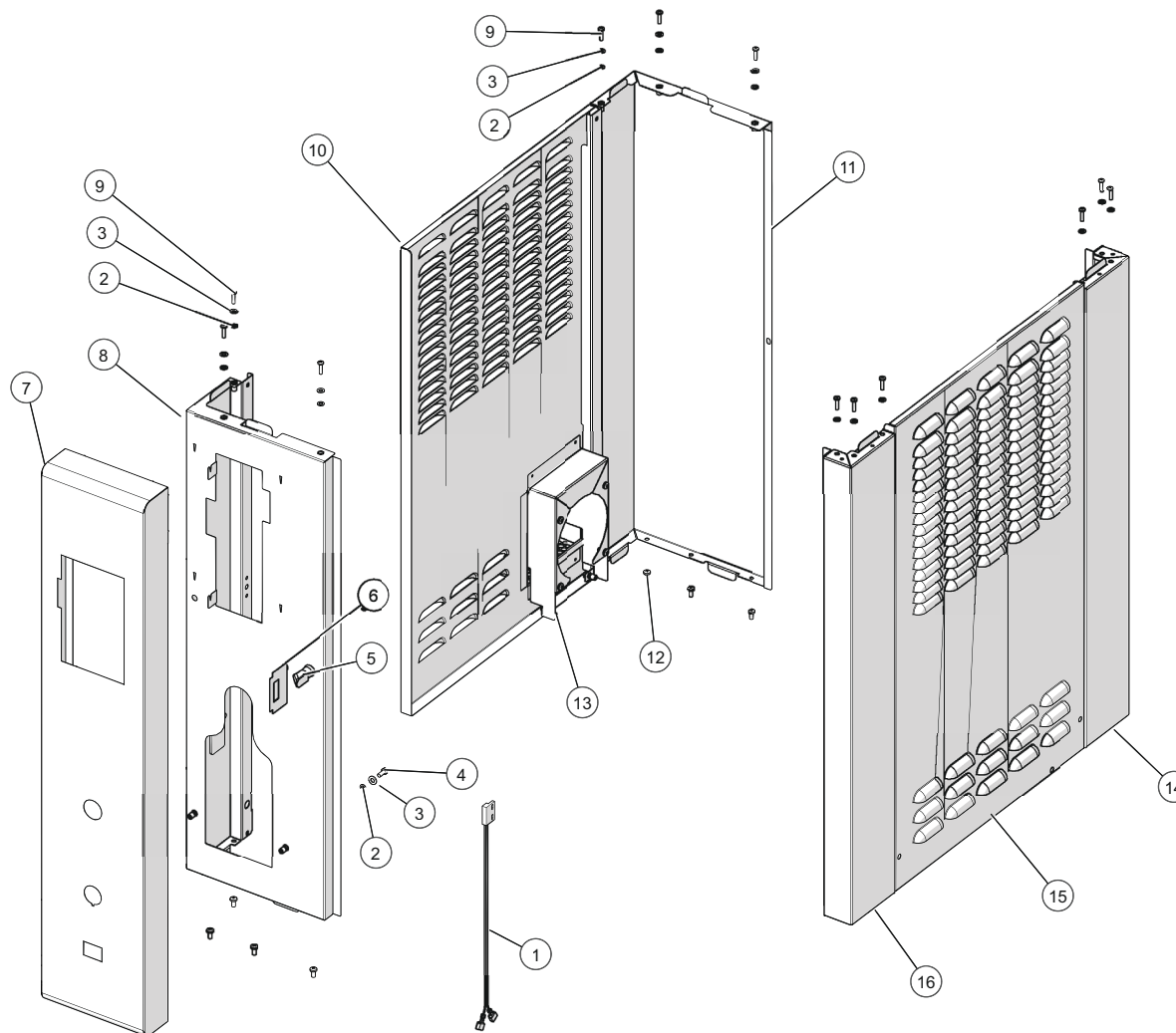
AR-7T / AR-7HT Panel Assembly, Reach-In (Black)



ID	Part No.	Description
1	5023739R	SERVICE KIT, SWITCH ASSY
2	5020258	BUMP-OUT CNTL CORNER, RH, BLK
3	1024074	PANEL, CONTROL, BUMP OUT
4	SC-26163	SCREW, M5x0.8x12MM HEX
5	WS-22297	WASHER, FLAT
6	WS-22301	WASHER, M5 SPLIT LOCK
7	LT-38342	LATCH, DOOR, DOG, LONG NOSE
8	5023739R	SWITCH ASSY, PROXIMITY SENSOR
9	WS-22295	WASHER, FLAT M5 S/S
10	SC-38240	SCREW, M4x0.7X16MM PAN
11	5024080	PANEL ACCESS FAN ASSY
12	Ri-38125	RIVET, SEALED, .125"
13	1023652	VENT COVER, LF ACCESS PANEL
14	5024069	ASSEMBLY, ACCESS PANEL, BLK
15	SC-22766	SCREW, M5x0.8X10MM PAN
16	1016847	PANEL, NON-CTRL SIDE, RH
17	NU-38212	NUT, M5-0.8 HEX FLG-SERR CL8 SS
18	1021200	AIR INTAKE MOUNTING PLATE
19	SC-22766	SCREW, M5x0.8X10MM PAN
20	1023329	PANEL, TOP
21	1017483	PANEL, RIGHT, FRONT, BLACK
22	1017502	PANEL ACCESS, NON-CTRL SIDE, BLK
23	1017485	PANEL, RIGHT, REAR, BLACK
24	5018984	ACCESS PANEL FASTENER ASSY.
25	GS-23622	.375" WIDE FOAM TAPE [lin ft]
26	FA-3568	FAN HOUSING, 119mm x 119mm x 38mm
27	NU-23909	NUT, HEX INSERT M5
28	1023656	ACCESS PNL FAN HOUSING

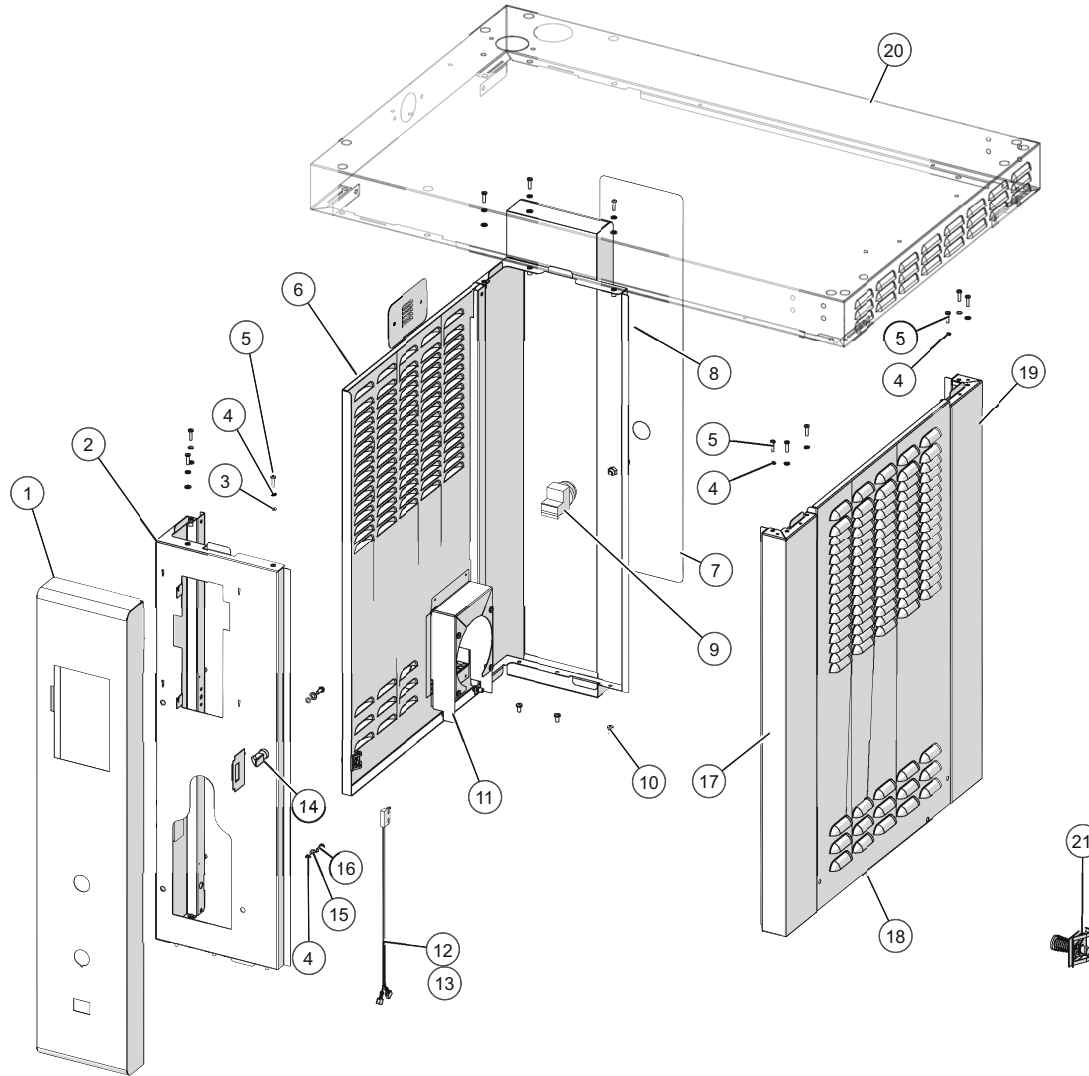


AR-7T / AR-7HT Panel Assembly, Reach-In (Burgundy)

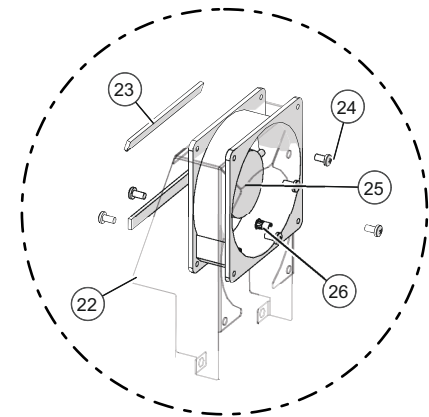


ID	Part No.	Description
1	5023739R	SERVICE KIT, SWITCH ASSY
2	WS-22301	WASHER, M5 SPLIT LOCK
3	WS-2229	WASHER, FLAT
4	SC-26163	SCREW, M5x0.8x12MM HEX
5	LT-38342	LATCH, DOOR, DOG, LONG NOSE
6	5023739	SWITCH ASSY, PROXIMITY SENSOR
7	5020259	BUMP-OUT CNTL CORNER, RH, BUR
8	1024074	PANEL, CONTROL, BUMP OUT
9	SC-38240	SCREW, M4x0.7X16MM PAN
10	5024070	ASSEMBLY, ACCESS PANEL, BUR
11	1017489	PANEL, NON-CTRL SIDE, RH, BUR
12	SC-22766	SCREW, M5x0.8X10MM PAN
13	5024080	PANEL ACCESS FAN ASSY
14	1017486	PANEL, RIGHT, REAR, BUR
15	1017503	PANEL ACCESS, NON-CTRL SIDE BUR
16	1017484	PANEL, RIGHT, FRONT, BUR

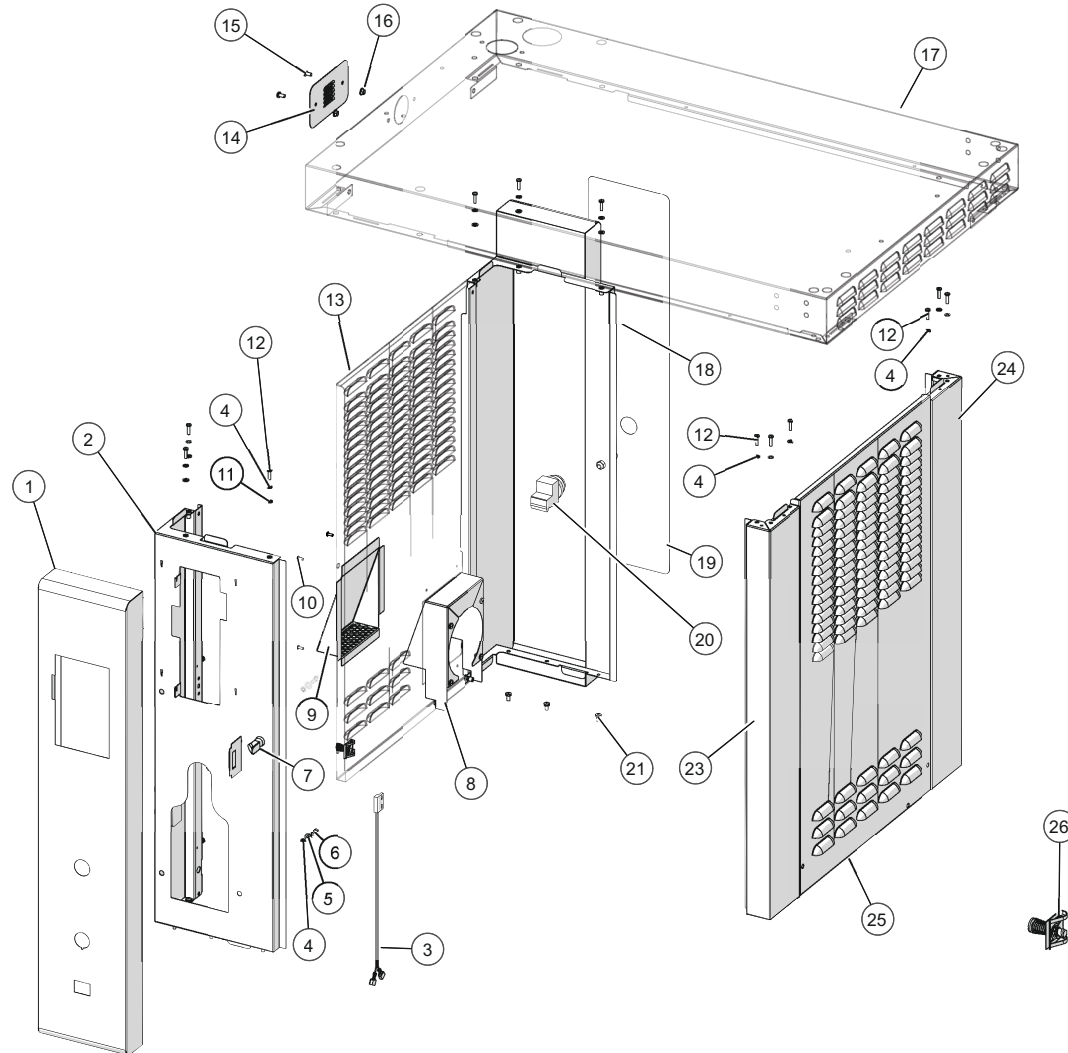
AR-7T / AR-7HT Panel Assembly, Pass-Thru (Stainless Steel)



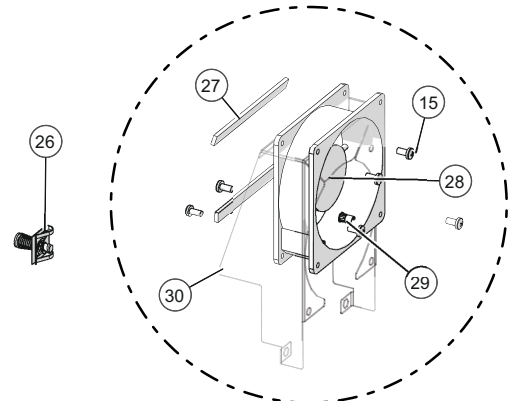
ID	Part No.	Description
1	5019977	BUMP-OUT CNTL CORNER, RH, BUR
2	1024074	PANEL, CONTROL, BUMP OUT
3	WS-22295	WASHER, FLAT M5 S/S
4	WS-22301	WASHER, M5 SPLIT LOCK
5	SC-38240	SCREW,M4x0.7X16MM PAN
6	5024068	ACCESS PANEL, CTRL SIDE, SS
7	PE-38148	AR-7, OVERLAY, P/T COVER
8	5018877	WELDMNT, CTRL SIDE PANEL, LH
9	SW-37276	SWITCH, JOG
10	SC-22766	SCREW,M5x0.8X10MM PAN
11	5024080	PANEL ACCESS FAN ASSY
12	SW-33906	SWITCH, PROXIMITY SENSOR
13	5023739R	SERVICE KIT, SWITCH ASSY
14	LT-38342	LATCH, DOOR, DOG, LONG NOSE
15	WS-22297	WASHER, FLAT
16	SC-26163	SCREW, M5x0.8x12MM HEX
17	1016849	PANEL, RIGHT, FRONT, STAINLESS
18	1017501	PANEL ACCESS, NON-CTRL, STAINLESS
19	1016848	PANEL, RIGHT, REAR, STAINLESS
20	5022751	ASSEMBLY, TOP PANEL
21	5018984	ACCESS PANEL FASTENER ASSY.
22	1023656	ACCESS PNL FAN HOUSING
23	GS-23622	.375" WIDE FOAM TAPE [lin ft]
24	SC-22766	SCREW,M5x0.8X10MM PAN
25	FA-3568	FAN HOUSING, 119mm x 119mm x 38mm
26	NU-23909	NUT, HEX INSERT M5



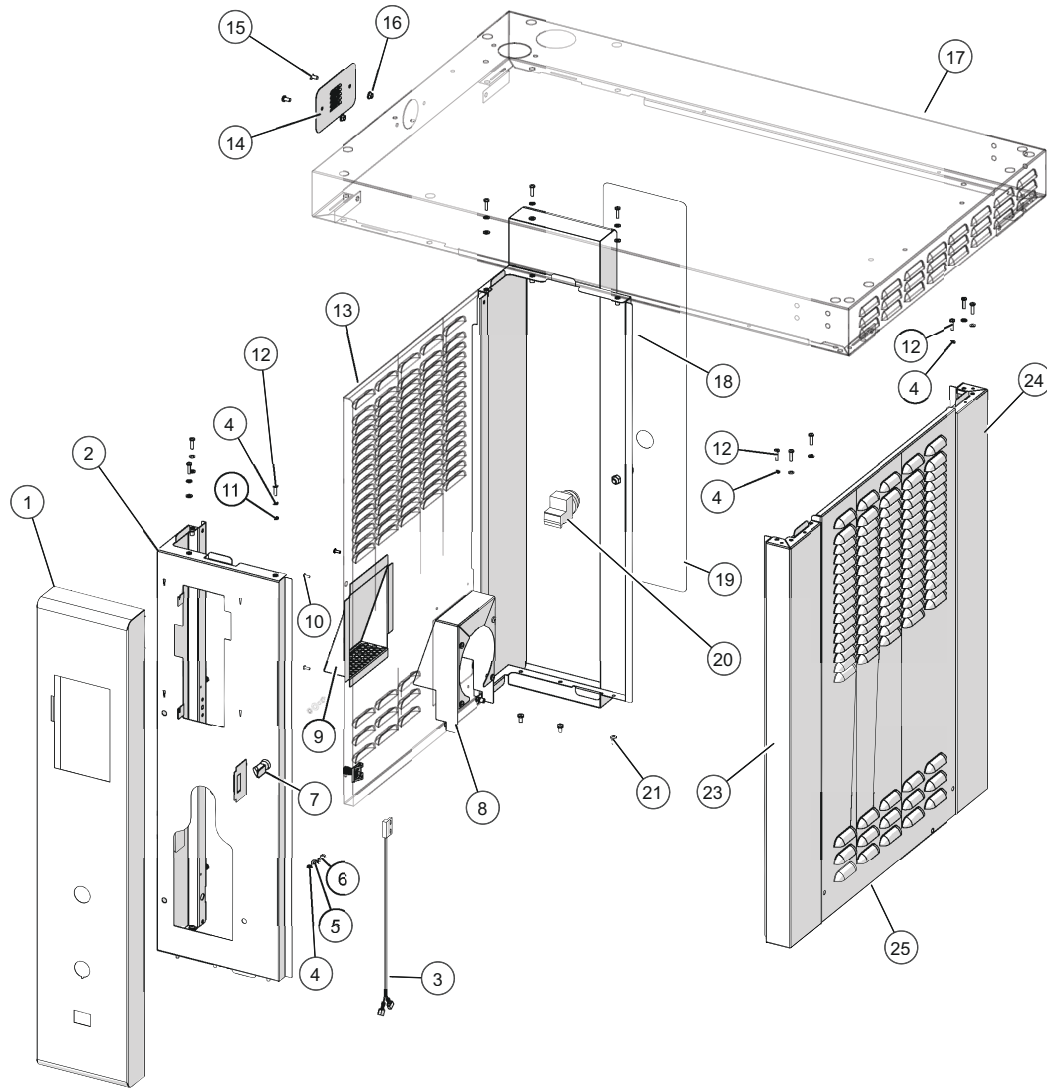
AR-7T / AR-7HT Panel Assembly, Pass-Thru (Black)



ID	Part No.	Description
1	5020258	BUMP-OUT CNTL CORNER, RH, BLK
2	1024074	PANEL, CONTROL, BUMP OUT
3	5023739R	SERVICE KIT, SWITCH ASSY
4	WS-22301	WASHER, M5 SPLIT LOCK
5	WS-22297	WASHER, FLAT
6	SC-26163	SCREW, M5x0.8x12MM HEX
7	LT-38342	LATCH, DOOR, DOG, LONG NOSE
8	5024080	PANEL ACCESS FAN ASSY
9	1034636	VENT COVER, LF ACCESS PANEL
10	RI-38125	RIVET,SEALED,.125"
11	WS-22295	WASHER, FLAT M5 S/S
12	SC-38240	SCREW,M4x0.7X16MM PAN
13	5024068	ASSEMBLY,ACCESS PANEL,BUR
14	1021200	AIR INTAKE MOUNTING PLATE
15	SC-22766	SCREW,M5x0.8X10MM PAN
16	NU-38212	NUT,M5-0.8 HEX FLG-SERR CL8 SS
17	5022751	ASSEMBLY, TOP PANEL
18	5018877	WELDMNT, CTRL SIDE PANEL, LH
19	PE-38148	AR-7, OVERLAY, P/T COVER
20	SW-37276	SWITCH, JOG
21	SC-22766	SCREW,M5x0.8X10MM PAN
23	1017483	PANEL, RIGHT, FRONT, BLK
24	1017485	PANEL, RIGHT, REAR, BLK
25	1017502	PANEL ACCESS, NON-CTRL, BLK
26	5018984	ACCESS PANEL FASTENER ASSY.
27	GS-23622	.375" WIDE FOAM TAPE [lin ft]
28	FA-3568	FAN HOUSING, 119mm x 119mm x 38mm
29	NU-23909	NUT, HEX INSERT M5
30	1023656	ACCESS PNL FAN HOUSING

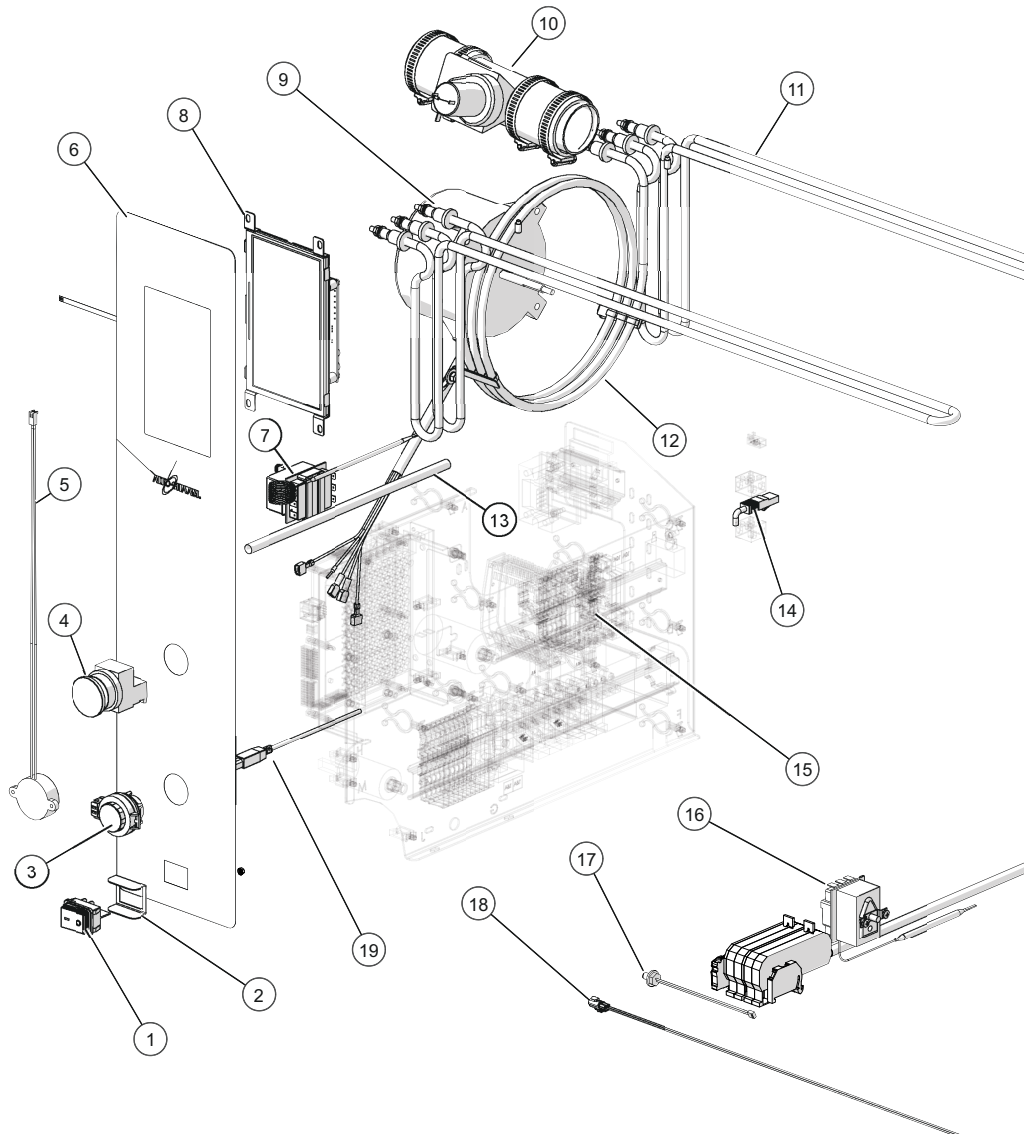


AR-7T / AR-7HT Panel Assembly, Pass-Thru (Burgundy)



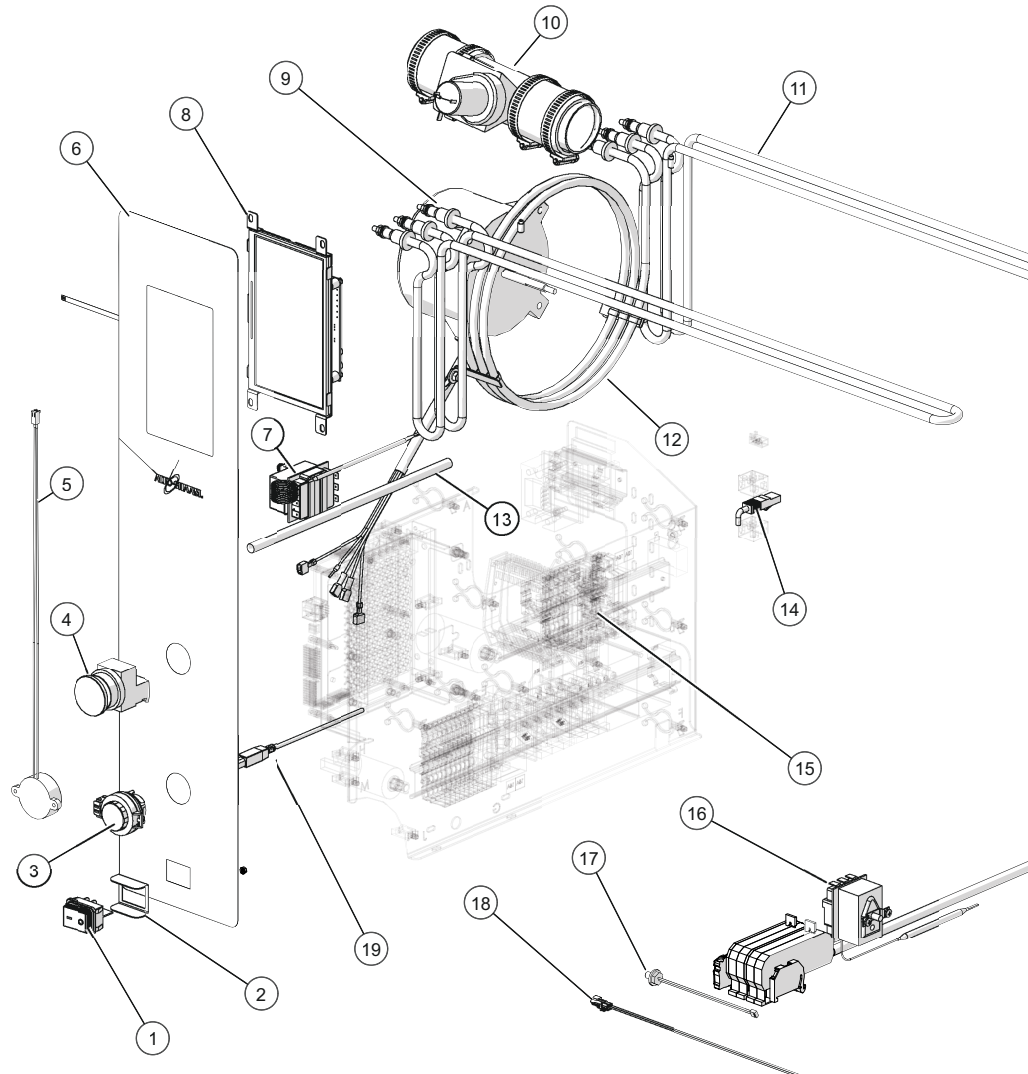
ID	Part No.	Description
1	5020259	BUMP-OUT CNTL CORNER, RH, BUR
2	1024074	PANEL, CONTROL, BUMP OUT
3	5023739R	SERVICE KIT, SWITCH ASSY
4	WS-22301	WASHER, M5 SPLIT LOCK
5	WS-22297	WASHER, FLAT
6	SC-26163	SCREW, M5x0.8x12MM HEX
7	LT-38342	LATCH, DOOR, DOG, LONG NOSE
8	5024080	PANEL ACCESS FAN ASSY
9	1034636	VENT COVER, LF ACCESS PANEL
10	RI-38125	RIVET,SEALED,.125"
11	WS-22295	WASHER, FLAT M5 S/S
12	SC-38240	SCREW,M4x0.7X16MM PAN
13	5024068	ASSEMBLY,ACCESS PANEL,BUR
14	1021200	AIR INTAKE MOUNTING PLATE
15	SC-22766	SCREW,M5x0.8X10MM PAN
16	NU-38212	NUT,M5-0.8 HEX FLG-SERR CL8 SS
17	5022751	ASSEMBLY, TOP PANEL
18	5018877	WELDMENT, CTRL SIDE PANEL, LH
19	PE-38148	AR-7, OVERLAY, P/T COVER
20	SW-37276	SWITCH, JOG
21	SC-22766	SCREW,M5x0.8X10MM PAN
23	1017484	PANEL, RIGHT, FRONT, BURGUNDY
24	1017486	PANEL, RIGHT, REAR, BURGUNDY
25	1017503	PANEL ACCESS, NON-CTRL, BUR
26	5018984	ACCESS PANEL FASTENER ASSY.
27	GS-23622	.375" WIDE FOAM TAPE (lin ft)
28	FA-3568	FAN HOUSING, 119mm x 119mm x 38mm
29	NU-23909	NUT, HEX INSERT M5
30	1023656	ACCESS PNL FAN HOUSING

AR-7T Electrical Assembly, 208V 1Ø



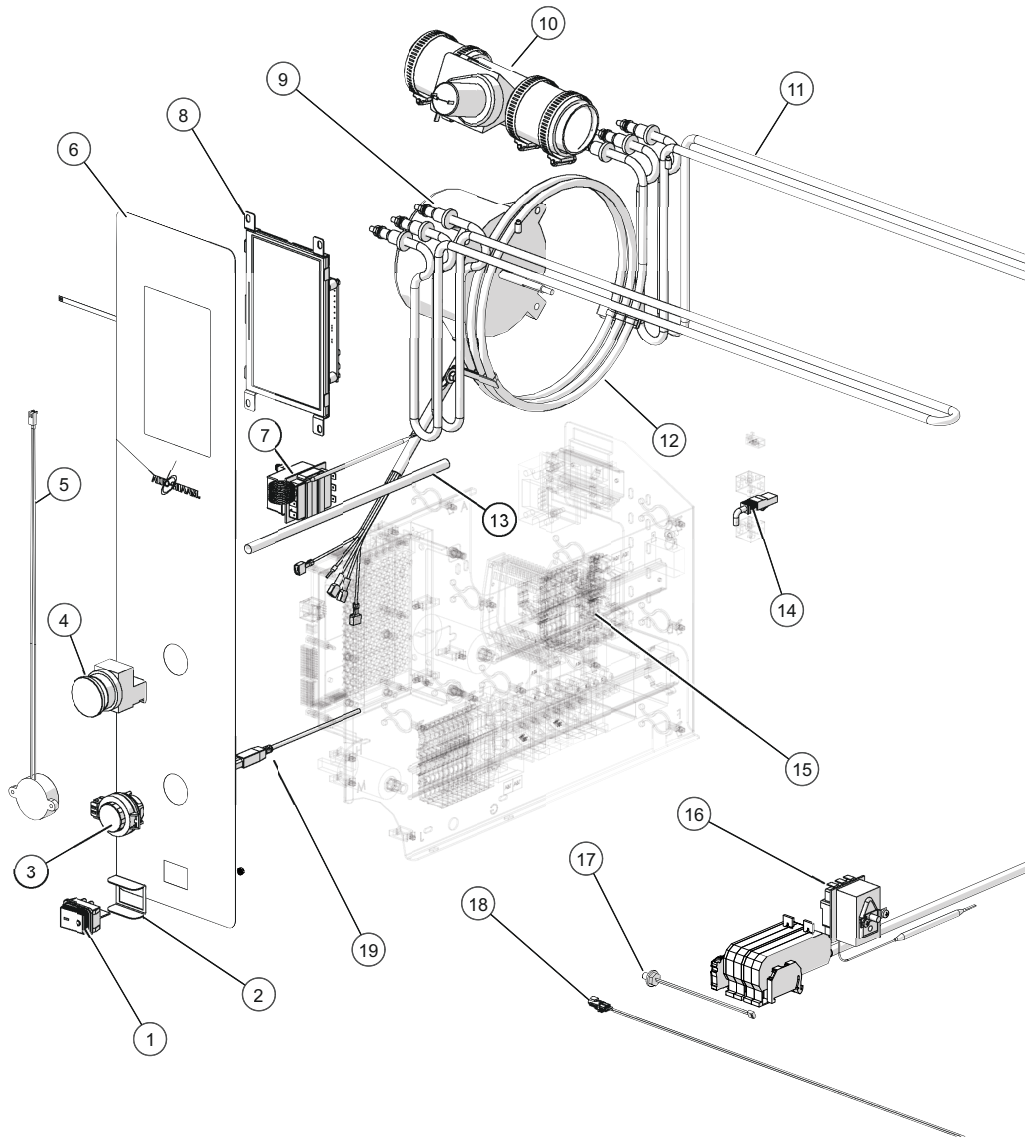
ID	Part No.	Description
1	SW-36714	SWITCH,ROCKER,20A@120V,
2	1024524	GUARD, SWITCH, AR7
3	CB-35746	CONNECTOR, USB, PANEL MOUNT
4	SW-37276	SWITCH, JOG
5	5021852	BEEPER EXTENSION ASSEMBLY
6	50246354R	SRVC KIT, CTRL PNL W/OVERLAY SS
6A	5024702R	SRVC KIT, CTRL PNL W/OVERLAY BURG
6B	5024703R	SRVC KIT, CTRL PNL W/OVERLAY BLK
7	SW-34454	SWITCH, THERMAL CUT-OUT, 275C
8	5020277R	LCD, TOUCH, ASSB, AR-7T
9	5028627R	KIT, MOTOR ASSY, CONVECTION
10	5022478	SERVIC KIT, BROWNING VALVE ASSY
11	50266454R	SRVC KIT, SIDE ELEMENT ASSY 208V
12	5026644	ELEMENT, CENTER, 3140W, 208V
13	SL-28021	SLEEVE, PROTECTIVE, 11" LONG
14	CB-35778	CAN/ETHERNET CABLE, 1.5', SRJ45
15	5018910	ELECTRICAL ASSEMBLY, 208-240V,
16	TT-33476	THERMAL CUT-OUT, MANUAL RESET
17	5030198	KIT, PROBE, THERMISTOR SENSOR
18	CB-47340	CABLE HARNESS, THERMISTOR, 110"
19	CB-35769	USB, CABLE, 3' STANDARD

AR-7T Electrical Assembly, 208V 3Ø



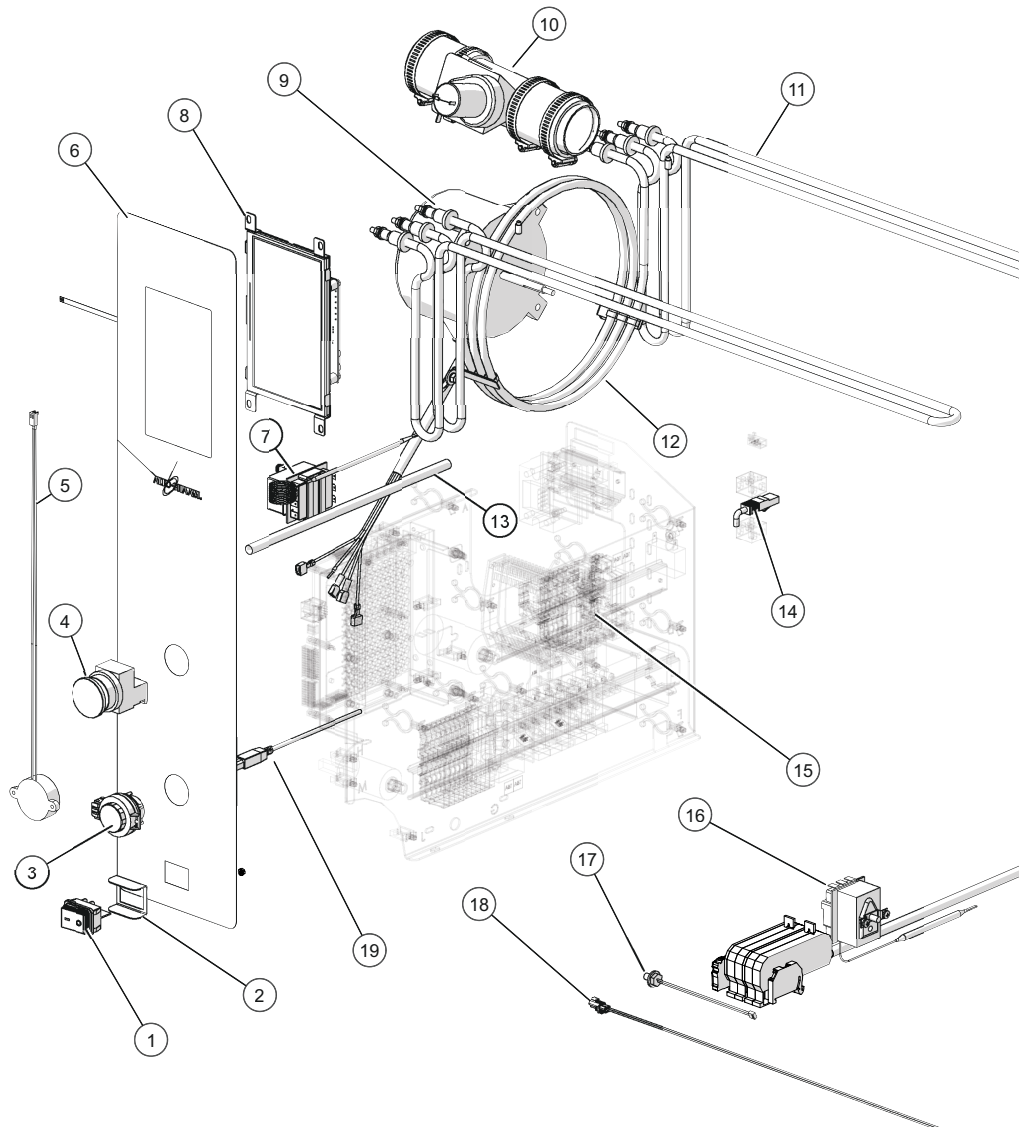
ID	Part No.	Description
1	SW-36714	SWITCH,ROCKER,20A@120V,
2	1024524	GUARD, SWITCH, AR7
3	CB-35746	CONNECTOR, USB, PANEL MOUNT
4	SW-37276	SWITCH, JOG
5	5021852	BEEPER EXTENSION ASSEMBLY
6	5024653R	SRVC KIT, CTRL PANEL W/OVERLAY SS
6A	5024702R	SRVC KIT, CTRL PANEL W/OVERLAY BURG
6B	5024703R	SRVC KIT, CTRL PANEL W/OVERLAY BLK
7	SW-34454	SWITCH, THERMAL CUT-OUT, 275C
8	5020277	LCD,TOUCH,ASSB,AR-7T
9	5023743	MOTOR ASSY,CONVECTION
10	5022478	AR-7T, AIR INTAKE ASSEMBLY
11	5026055R	ELEMENT ASSEMBLY, 208V
12	5026644R	SRVC KIT, CENTER ELEMENT, 208V
13	SL-28021	SLEEVE, PROTECTIVE, 11" LONG
14	CB-35778	CAN/ETHERNET CABLE,1.5',SRJ45
15	5018907	ELECTRICAL ASSEMBLY,208-240V,
16	TT-33476	THERMAL CUT-OUT, MANUAL RESET
17	5030198	KIT, PROBE, THERMISTOR SENSOR
18	CB-47340	CABLE HARNESS,THERMISTOR, 110"
19	CB-35769	USB, CABLE,3' STANDARD

AR-7T Electrical Assembly, 240V 1Ø



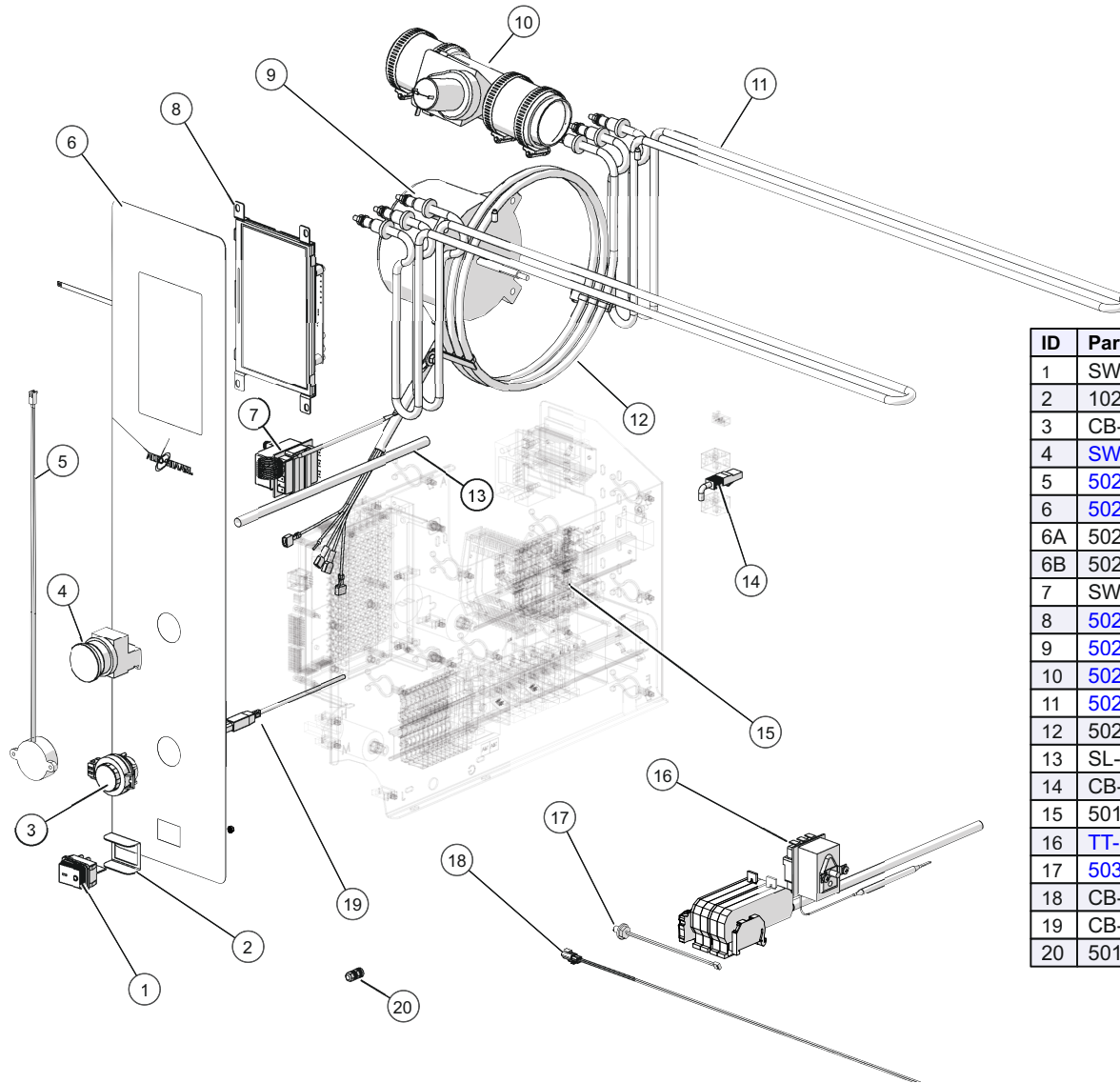
ID	Part No.	Description
1	SW-36714	SWITCH,ROCKER,20A@120V,
2	1024524	GUARD, SWITCH, AR7
3	CB-35746	CONNECTOR, USB, PANEL MOUNT
4	SW-37276	SWITCH, JOG
5	5021852	BEEPER EXTENSION ASSEMBLY
6	PE-37130	SRVC KIT, CTRL PANEL W/OVERLAY SS
6A	5024702R	SRVC KIT, CTRL PANEL W/OVERLAY BURG
6B	5024703R	SRVC KIT, CTRL PANEL W/OVERLAY BLK
7	SW-34454	SWITCH, THERMAL CUT-OUT, 275C
8	5020277R	LCD, TOUCH, ASSB, AR-7T
9	5028627R	KIT, MOTOR ASSY, CONVECTION
10	5023740R	SRVC KIT, BROWNING VALVE ASSY
11	5026646R	SRVC KIT, SIDE ELEMENT, 240V
12	5026647R	SRVC KIT, CENTER ELEMENT, 240V
13	SL-28021	SLEEVE, PROTECTIVE, 11" LONG
14	CB-35778	CAN/ETHERNET CABLE, 1.5', SRJ45
15	5018910	ELECTRICAL ASSEMBLY, 208-240V,
16	TT-33476	THERMAL CUT-OUT, MANUAL RESET
17	5030198	KIT, PROBE THERMISTOR SENSOR
18	CB-47340	CABLE HARNESS, THERMISTOR, 110"
19	CB-35769	USB, CABLE, 3' STANDARD

AR-7T Electrical Assembly, 240V 3Ø



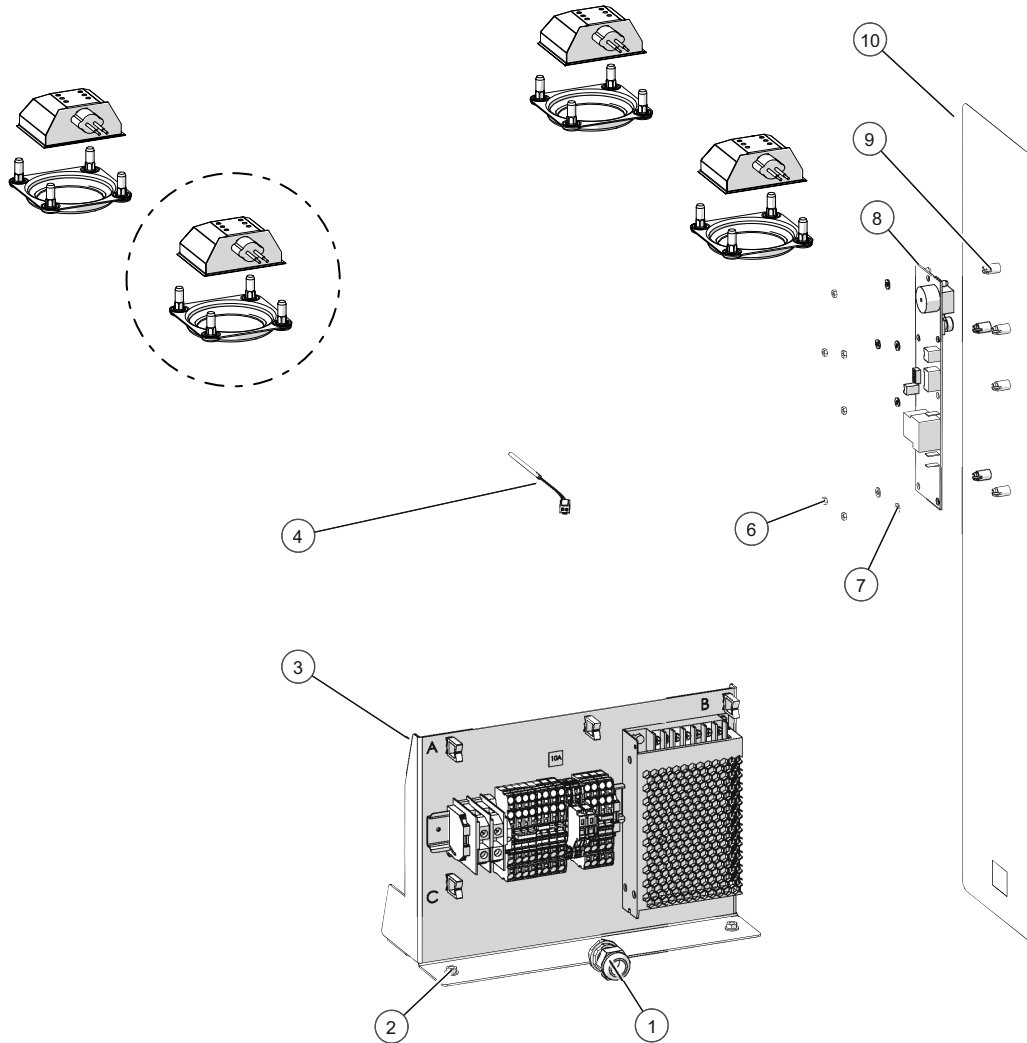
ID	Part No.	Description
1	SW-36714	SWITCH,ROCKER,20A@120V,
2	1024524	GUARD, SWITCH, AR7
3	CB-35746	CONNECTOR, USB, PANEL MOUNT
4	SW-37276	SWITCH, JOG
5	5021852	BEEPER EXTENSION ASSEMBLY
6	5024653R	KIT, OVERLAY, AR-7 TOUCH CTL SS
6A	5024703R	KIT, OVERLAY, AR-7 TOUCH CTL BLK
6B	5024702R	KIT, OVERLAY, AR-7 TOUCH CTL BURG
7	SW-34454	SWITCH, THERMAL CUT-OUT, 275C
8	5020277	LCD,TOUCH,ASSB,AR-7T
9	5028627	MOTOR ASSY,CONVECTION
10	5023740R	SRVC KIT, BROWNING VALVE ASSY
11	5026646R	SRVC KIT, SIDE ELEMENT, 240V
12	5026646R	SRVC KIT, CENTER ELEMENT, 240V
13	SL-28021	SLEEVE, PROTECTIVE, 11" LONG
14	CB-35778	CAN/ETHERNET CABLE,1.5',SRJ45
15	5018910	ELECTRICAL ASSEMBLY,208-240V,
16	TT-33476	THERMAL CUT-OUT, MANUAL RESET
17	SN-46268	KIT, PROBE THERMISTOR SENSOR
18	CB-47340	CABLE HARNESS,THERMISTOR, 110"
19	CB-35769	USB, CABLE,3' STANDARD

AR-7T Electrical Assembly, 380V-415V 3Ø

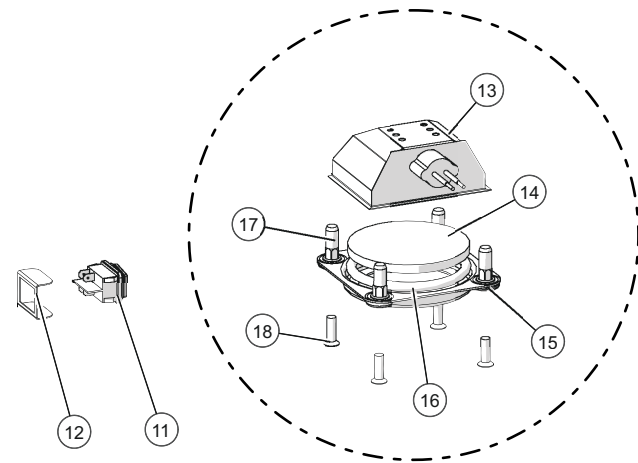


ID	Part No.	Description
1	SW-36714	SWITCH,ROCKER,20A@120V,
2	1024524	GUARD, SWITCH, AR7
3	CB-35746	CONNECTOR, USB, PANEL MOUNT
4	SW-37276	SWITCH, JOG
5	5021852	BEEPER EXTENSION ASSEMBLY
6	5024653R	KIT, OVERLAY, AR-7 TOUCH CTRL SS
6A	5024702R	KIT, OVERLAY, AR-7 TOUCH CTRL BURG
6B	5024703R	KIT, OVERLAY, AR-7 TOUCH CTRL BLK
7	SW-34454	SWITCH, THERMAL CUT-OUT, 275C
8	5020277R	LCD, TOUCH, ASSB, AR-7T
9	5028627	MOTOR ASSY, CONVECTION
10	5023740R	SERVICE KIT, BROWNING VALVE
11	5026646R	SERVICE KIT, SIDE ELEMENT, 240V
12	5026647R	SERVICE KIT, CENTER ELEMENT, 240V
13	SL-28021	SLEEVE, PROTECTIVE, 11" LONG
14	CB-35778	CAN/ETHERNET CABLE, 1.5', SRJ45
15	5018910	ELEC ASSEMBLY, 380-415V, 3PH
16	TT-33476	THERMAL CUT-OUT, MANUAL RESET
17	5030198	KIT, PROBE TRANSISTOR SENSOR
18	CB-47340	CABLE HARNESS, THERMISTOR, 110"
19	CB-35769	USB, CABLE, 3' STANDARD
20	5018898	GROUND STUD ASSY

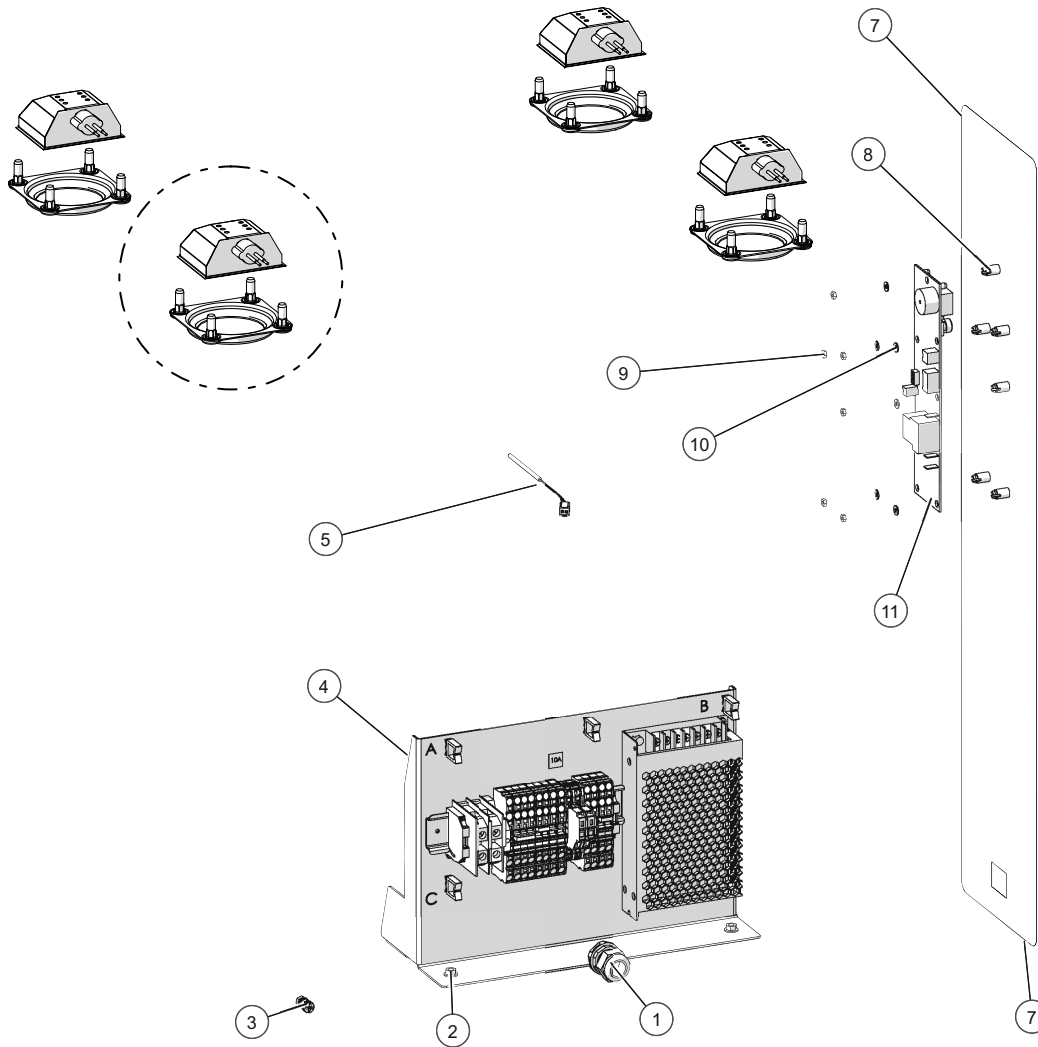
AR-7HT Electrical Package, 120V, 208V-240V 1Ø



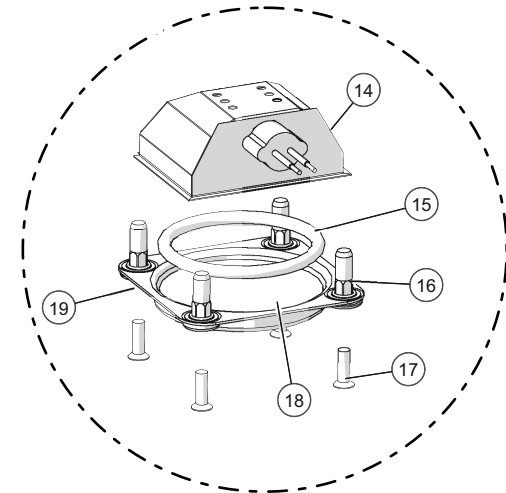
ID	Part No.	Description
1	BU-3964	BUSHING, STRAIGHT, STRAIN RELIEF
2	NU-38212	NUT, M5-0.8 HEX FLG-SERR CL8 SS
3	—	CHASSIS, ELEC, ALL VOLTAGES
4	5023745	SENSOR ASSY, 1K OHM
6	NU-22285	NUT, M3-0.5 HEX NUT
7	WS-23148	WASHER, 6-32, FLAT, NYL
8	CC-36403	ELAN CONTROL, VERT. OF CC-34970
9	SP-29392	SPACER, SNAP-IN, 7/16"
10	PE-38176	OVERLAY, CONTROL
11	SW-36714	SWITCH, ROCKER, 20A@120V,
12	1024524	GUARD, SWITCH, AR7
13	LP-38610	LAMP ASM, 20W, W/OUT GLASS
13a	LP-34213	LAMP, 20W BULB REPLACEMENT (not shown)
14	GL-38608	GLASS, ROUND, CLEAR
15	CV-23896	ML, S/S RING, LIGHT COVED CORNER
16	GS-39486	GASKET, -332, 75A SHORE
17	NU-39409	NUT, M5, HEX INSERT
18	SC-22281	SCREW, M5 X 16 FLAT HEAD CSINK



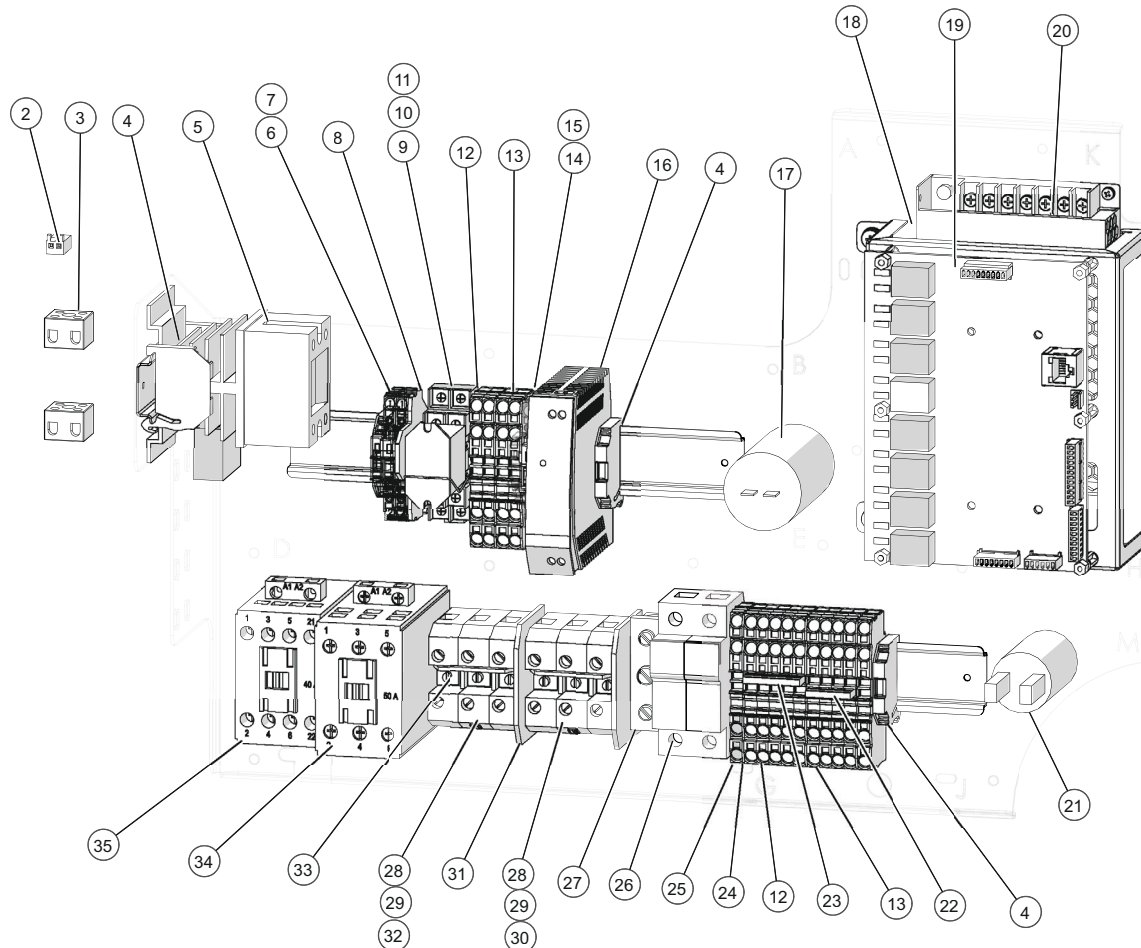
AR-7HT Electrical Package, 230V International



ID	Part No.	Description
1	BU-3964	BUSHING,STRAIGHT,STRAIN RELIEF
2	NU-38212	NUT,M5-0.8 HEX FLG-SERR CL8 SS
3	5018898	GROUND STUD ASSY
4	—	CHASSIS, ELEC, ALL VOLTAGES
5	5023745R	SENSOR ASSY,1K OHM
7	PE-38176	OVERLAY, CONTROL
8	SP-29392	SPACER, SNAP-IN, 7/16"
9	NU-22285	NUT, M3-0.5 HEX NUT
10	WS-23148	WASHER, 6-32, FLAT, NYL
11	CC-36403	ELAN CONTROL,VERT. OF CC-34970
12	SW-36714	SWITCH,ROCKER,20A@120V,
13	1024524	GUARD, SWITCH, AR7
14	LP-38610	LAMP ASM, 20W, W/OUT GLASS
14a	LP-34213	LAMP, 20W BULB REPLACEMENT (not shown)
15	GS-39486	GASKET, -332, 75A SHORE
16	NU-39409	NUT, M5, HEX INSERT
17	SC-22281	SCREW, M5 X 16 FLAT HEAD CSINK
18	GL-38608	GLASS, ROUND, CLEAR
19	CV-23896	ML, S/S RING, LIGHT COVERED CORNER



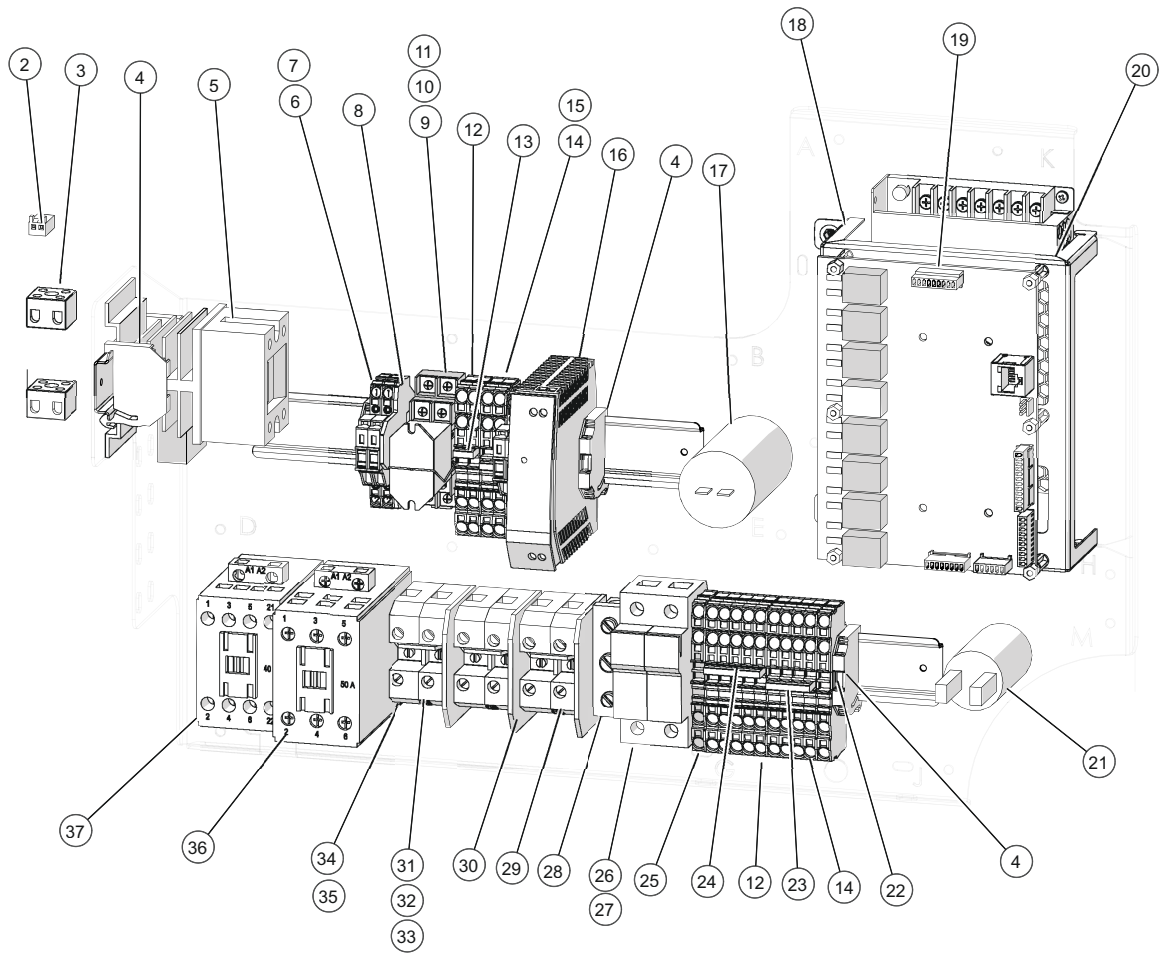
AR-7T Electrical Chassis, 208-240V 1Ø



ID	Part No.	Description	Qty
2	CR-36574	MOLEX HOUSING	1
3	BK-33546	BLOCK, 2 TERMINAL, PORCELAIN	2
4	TM-39606	TERMINAL, SCREWLESS END	6
5	RL-39490	RELAY, SOLID STATE, 230V, 50A	1
6	TM-39577	TERMINAL, FUSE HOLDER,	3
7	FU-34955	FUSE, GLASS ENVELOPE	2
8	TM-39578	TERMINAL, END PLATE	2
9	RL-34634	UNIVERSAL MOUNTING SOCKET	1
10	RL-33930R	RELAY,12VDC,15A,8 PINS	1
11	RL-37266	RELAY HOLD DOWN SPRING CLIP	3
12	TM-39574	TERMINAL, 6mm, ORANGE, SPRING	8
13	TM-39575	TERMINAL, 6mm, BLUE, SPRING	6
14	TM-39577	TERMINAL, FUSE HOLDER,	1
15	FU-33184	5X20MM, SLOW BLO, 2 AMP, 250V	2
16	BA-37095	POWER SUPPLY, 30W	1
17	CU-29666	CAPACITOR, 16uF	1
18	5023163	ASSEMBLY,CONTROL PANEL SUPPORT	1
19	CC-39484	ASSY,CONTROL BOARD & FIRMWARE	1
20	BA-38729	POWER SUPPLY,12VDC,12.5A,150W	1
21	MO-34636	CAPACITOR FOR MO-34636	1
22	TM-39583	JUMPER, 4 POLE	1
23	TM-39582	JUMPER, 5 POLE	1
24	TM-39576	TERMINAL, END SECTION, SPRING	6
25	TM-39579	TERMINAL,GROUND, 6mm, SPRING	1
26	FU-34772	FUSE, 15 AMP	2
27	TM-47500	TERMINAL, GROUND, 35mm	1
28	TM-47406	TERMINALS, *CT,SER.,35MM	6
29	TM-3788	TERMINALS, MARK, L	2
30	TM-3791	TERMINALS, MARK, 2	1
31	TM-3786	TERMINAL, CT, 35mm WALL, PART	2
32	TM-3790	TERMINALS, MARK, 1	1
33	TM-47408	JUMPER BAR, 3 POLE, 33mm SQ	2
34	CN-3731	CONTACTOR, 50 AMP	1
35	CN-3654	CONTACTOR, 40 AMP	1

5019091 Wire Assembly, Pass-Thru (not shown)

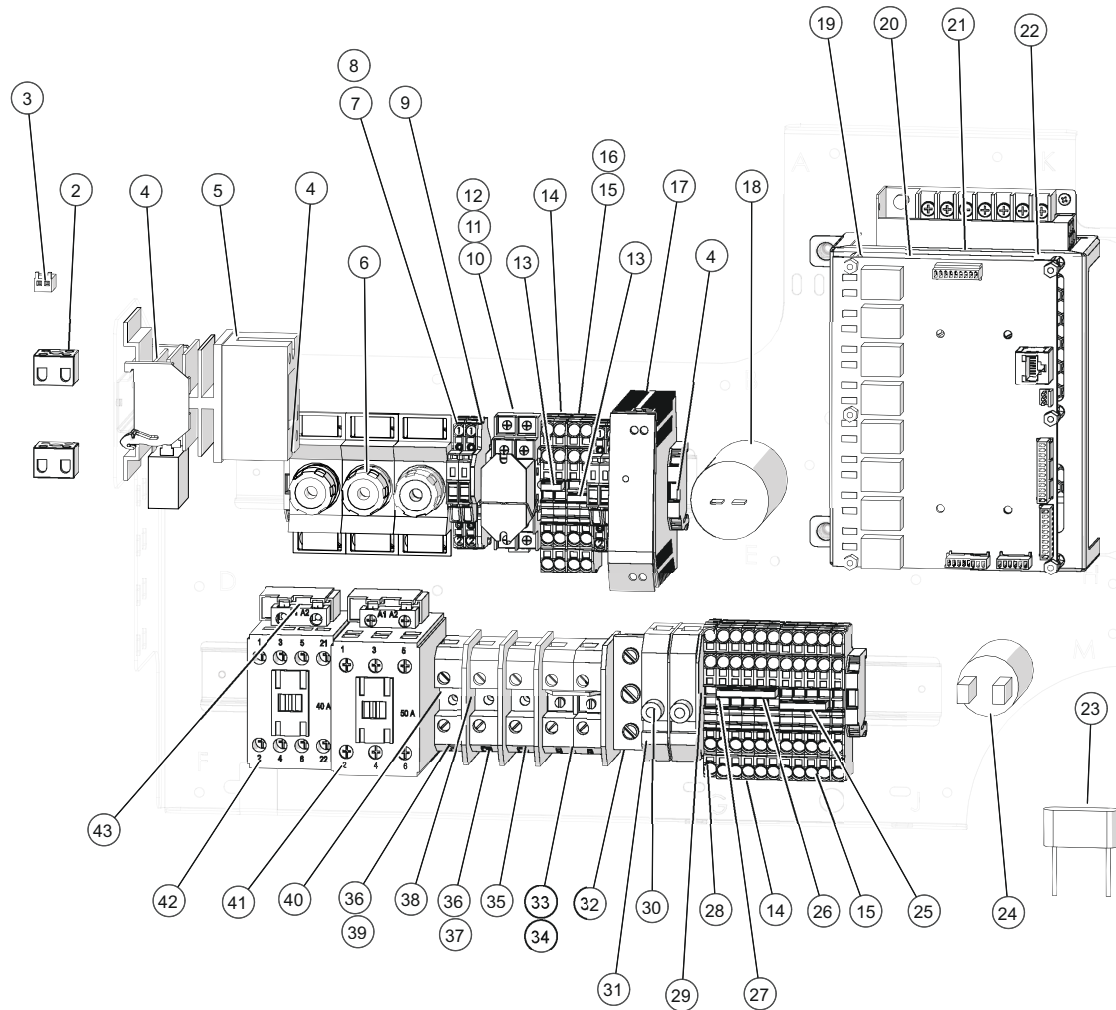
AR-7T Electrical Chassis, 208-240V 3Ø



ID	Part No.	Description
2	CR-36574	MOLEX HOUSING
3	BK-33546	BLOCK, 2 TERMINAL, PORCELAIN
4	TM-39606	TERMINAL, SCREWLESS END
5	RL-39490	RELAY, SOLID STATE, 230V, 50A
6	TM-39577	TERMINAL, FUSE HOLDER,
7	FU-34955	FUSE, GLASS ENVELOPE
8	TM-39578	TERMINAL, END PLATE
9	RL-34634	UNIVERSAL MOUNTING SOCKET
10	RL-33930R	RELAY,12VDC,15A,8 PINS
11	RL-37266	SPRING, HOLD DOWN,
12	TM-39574	TERMINAL, 6mm, ORANGE, SPRING
13	TM-39585	JUMPER, 2 POLE
14	TM-39575	TERMINAL, 6mm, BLUE, SPRING
15	FU-33184	5X20MM, SLOW BLO, 2 AMP, 250V
16	BA-37095	POWER SUPPLY, 30W
17	CU-29666	CAPACITOR, 16uF
18	5023163	ASSEMBLY,CONTROL PANEL SUPPORT
19	CC-39484	ASSY,CONTROL BOARD & FIRMWARE
20	BA-38729	POWER SUPPLY,12VDC,12.5A,150W
21	MO-34636 CAP	CAPACITOR FOR MO-34636
22	TM-39576	TERMINAL, END SECTION, SPRING
23	TM-39583	JUMPER, 4 POLE
24	TM-39582	JUMPER, 5 POLE
25	TM-39579	TERMINAL,GROUND, 6mm, SPRING
26	FU-34771	FUSE HOLDER, 2 BANK
27	FU-34772	FUSE, 15 AMP
28	TM-47500	TERMINAL, GROUND, 35mm
29	TM-3792	TERMINALS, MARK, 3
30	TM-3786	TERMINAL, CT, 35mm WALL, PART
31	TM-3788	TERMINALS, MARK, L
32	TM-3790	TERMINALS, MARK, 1
33	TM-3791	TERMINALS, MARK, 2
34	TM-47406	TERMINALS,"CT,SER.,35MM
35	TM-33837	JUMPER STRIP
36	CN-3731	CONTACTOR, 50 AMP
37	CN-3654	CONTACTOR, 40 AMP

5019091 Wire Assembly, Pass-Thru (not shown)

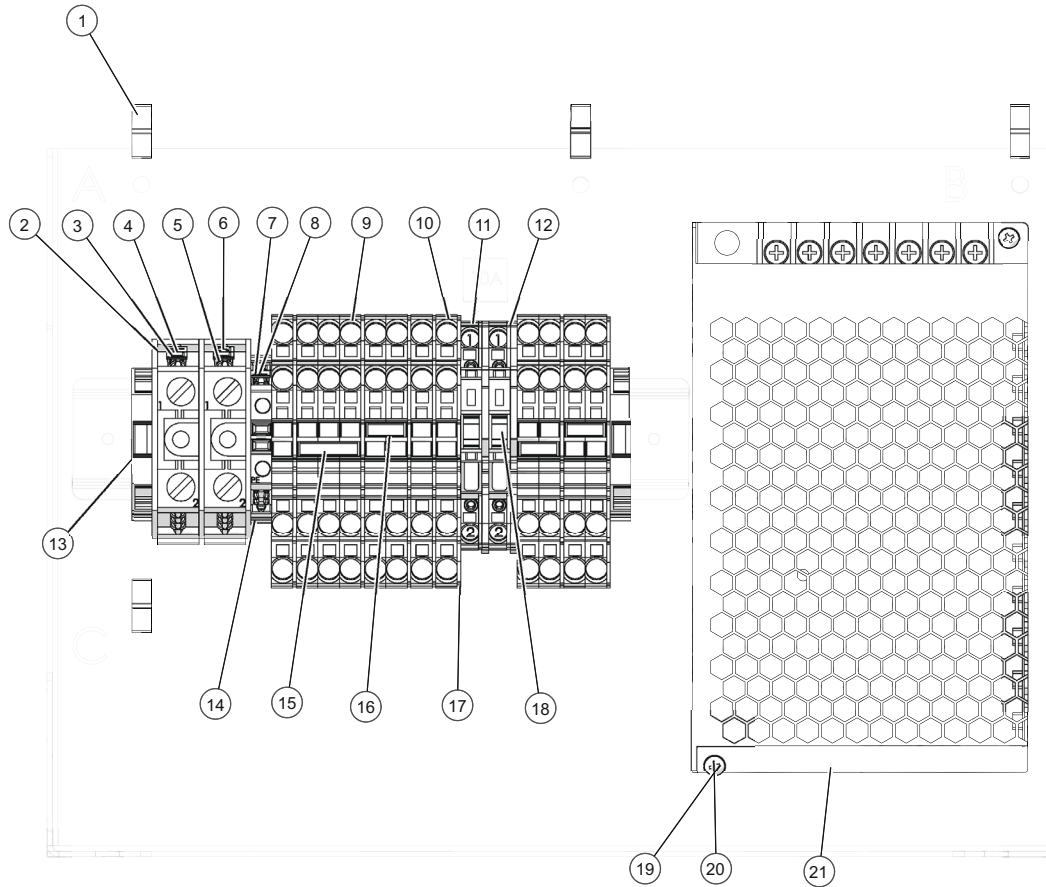
AR-7T Electrical Chassis, 380-415V 3Ø



ID	Part No.	Description	Qty
2	BK-33546	BLOCK, 2 TERMINAL, PORCELAIN	2
3	CR-36574	MOLEX HOUSING	1
4	TM-39606	TERMINAL, SCREWLESS END	6
5	RL-39490	RELAY, SOLID STATE, 230V, 50A	1
6	FU-33450	FUSE, DO2 NEOZED 20A, BLUE	3
7	TM-39577	TERMINAL, FUSE HOLDER,	4
8	FU-34955	FUSE, GLASS ENVELOPE	2
9	TM-39578	TERMINAL, END PLATE	2
10	RL-34634	UNIVERSAL MOUNTING SOCKET	1
11	RL-37266	SPRING, HOLD DOWN,	1
12	RL-33930R	RELAY,12VDC,15A,8 PINS	1
13	TM-39585	JUMPER, 2 POLE	2
14	TM-39574	TERMINAL, 6mm, ORANGE, SPRING	8
15	TM-39575	TERMINAL, 6mm, BLUE, SPRING	6
16	FU-33184	5X20MM, SLOW BLO, 2 AMP, 250V	2
17	BA-37095	POWER SUPPLY, 30W	1
18	CU-29666	CAPACITOR, 16uF	1
19	BA-39483	BOARD,CONTROL,CONSOLIDATED	1
20	CC-39484	ASSY,CONTROL BOARD & FIRMWARE	1
21	BA-38729	POWER SUPPLY,12VDC,12.5A,150W	1
22	5023163	ASSEMBLY,CONTROL PANEL SUPPORT	1
23	FI-33989	FILTER,*CT,WW UNITS,RC-MODULE	1
24	MO-34636 CAP	CAPACITOR FOR MO-34636	1
25	TM-39583	JUMPER, 4 POLE	1
26	TM-39582	JUMPER, 5 POLE	1
27	TM-39576	TERMINAL, END SECTION, SPRING	6
28	TM-39579	TERMINAL, GROUND, 6mm, SPRING	1
29	FU-34749	FUSE,HOLDER COVER	2
30	FU-34921	FUSE, 15 AMP, 250V, 5mm X 20mm	2
31	FU-33451	FUSE, TERMINAL, 6.3AMP	2
32	TM-47500	TERMINAL, GROUND, 35mm	1
33	TM-33479	TERMINALS, MARK, N	2
34	TM-47407	JUMPER STRIP	1
35	TM-3792	TERMINALS, MARK, 3	1
36	TM-3788	TERMINALS, MARK, L	3
37	TM-3791	TERMINALS, MARK, 2	1
38	TM-3786	TERMINAL, CT, 35mm WALL, PART	4
39	TM-3790	TERMINALS, MARK, 1	1
40	TM-47406	TERMINALS,*CT,SER.,35MM	5
41	CN-3731	CONTACTOR, 50 AMP	1
42	CN-3654	CONTACTOR, 40 AMP	1
43	FI-33990	EMI FILTER	2

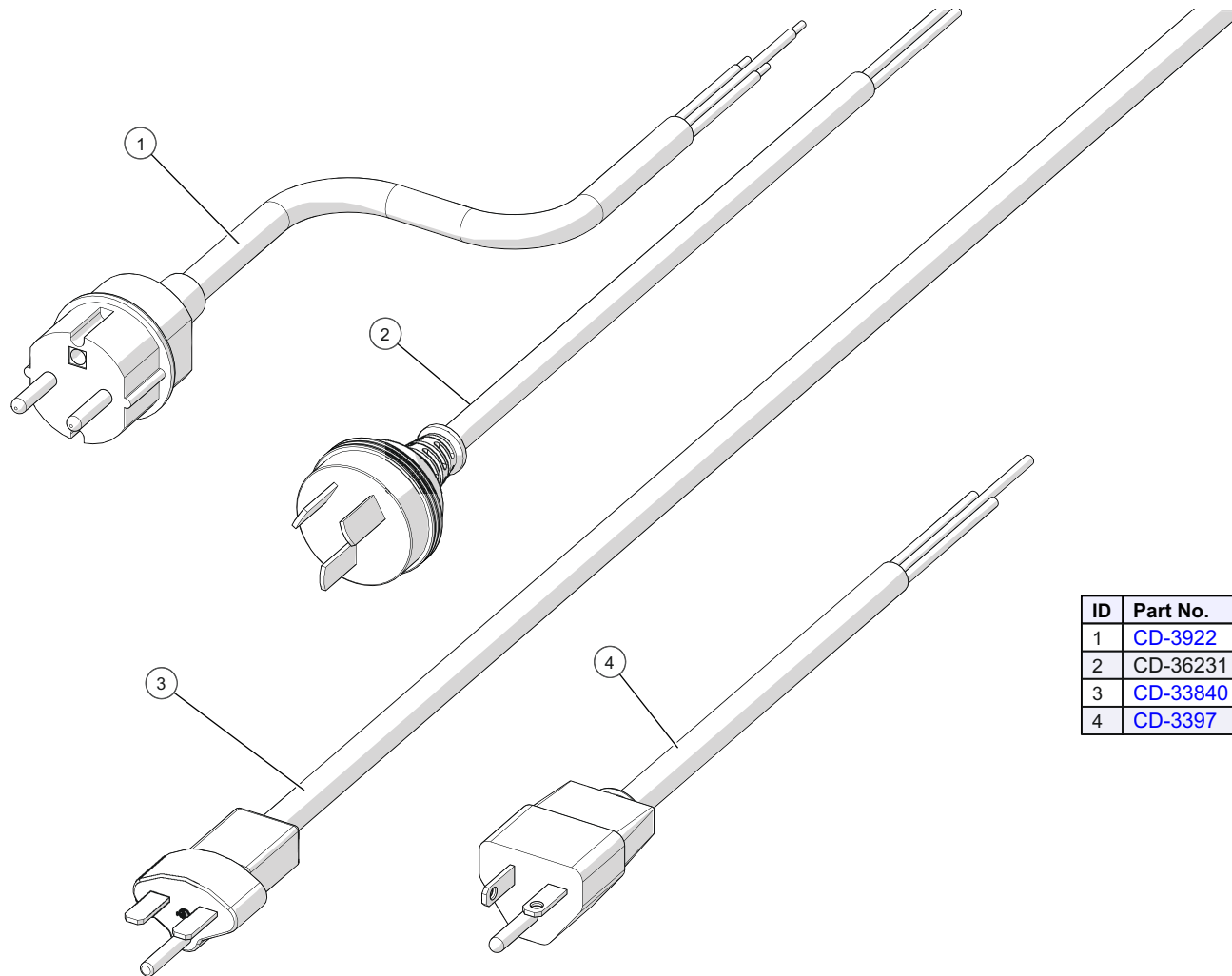
5019091 Wire Assembly, Pass-Thru (not shown)

AR-7HT Electrical Chassis (all voltages)



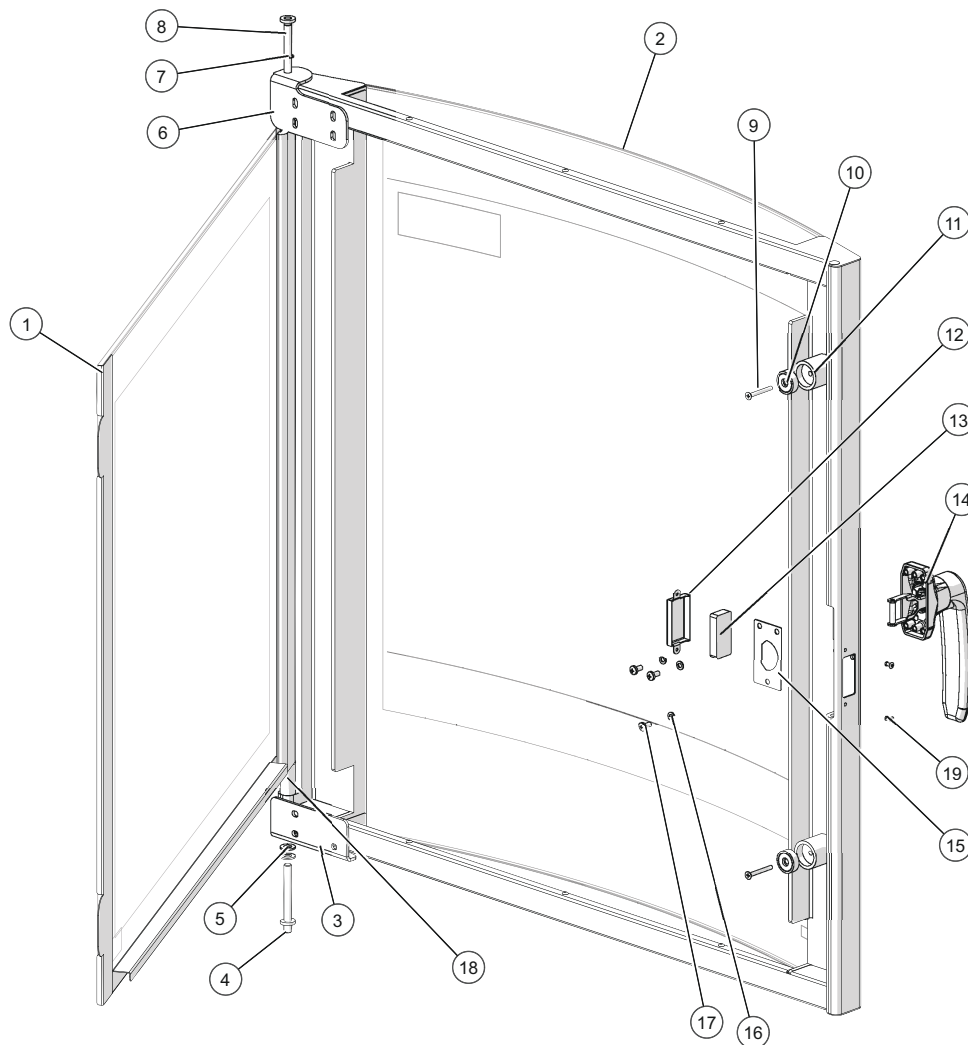
ID	Part No.	Description	Qty
1	CL-38422	RETAINER,WIRE,SQUARE,PUSH IN	4
2	TM-47503	END PLATE, 12MM TERMINAL	3
3	TM-3790	TERMINALS, MARK, 1	1
4	TM-47501	TERMINAL, 12MM, 71A, 1000V	2
5	TM-3788	TERMINALS, MARK, L	2
6	TM-3791	TERMINALS, MARK, 2	1
7	TM-3799	TERMINALS, MARK, E	1
8	TM-3789	TERMINALS, MARK, P	1
9	TM-39575	TERMINAL, 6mm, BLUE, SPRING	5
10	TM-39574	TERMINAL, 6mm, ORANGE, SPRING	7
11	TM-39577	TERMINAL, FUSE HOLDER,	2
12	TM-39578	TERMINAL, END PLATE	2
13	TM-39606	TERMINAL, SCREWLESS END	2
14	TM-47505	TERMINAL, GROUND, 6MM, 1000V	1
15	TM-39584	JUMPER, 3 POLE	1
16	TM-39585	JUMPER, 2 POLE	3
17	TM-39576	TERMINAL, END SECTION, SPRING	7
18	FU-34955	FUSE, GLASS ENVELOPE	2
19	WS-22299	WASHER, SPLIT LOCK	2
20	SC-22266	SCR, M3X6, RD, PHIL, M/S CHEESE HD, S/S	2
21	BA-38729	POWER SUPPLY,12VDC,12.5A,150W	1

AR-7HT Power Cords



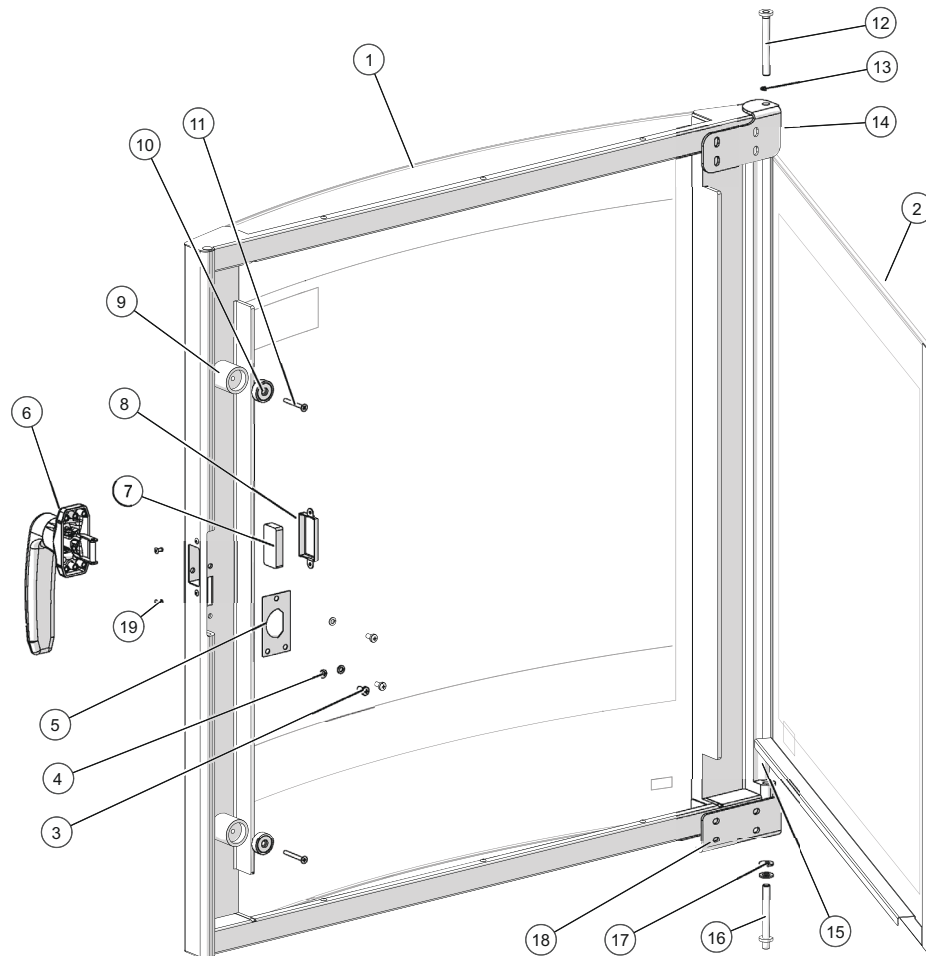
ID	Part No.	Description
1	CD-3922	CORDSET-16AWG, 3/C, INT'L HARM
2	CD-36231	CORDSET,16A-250V CH2-16P 2 POLE
3	CD-33840	CORDSET, 16/3 SJTO, 250V
4	CD-3397	CORDSET,12/3 SJO,20A-125V PLUG

AR-7T / AR-7HT Door Assembly, Curved, RH



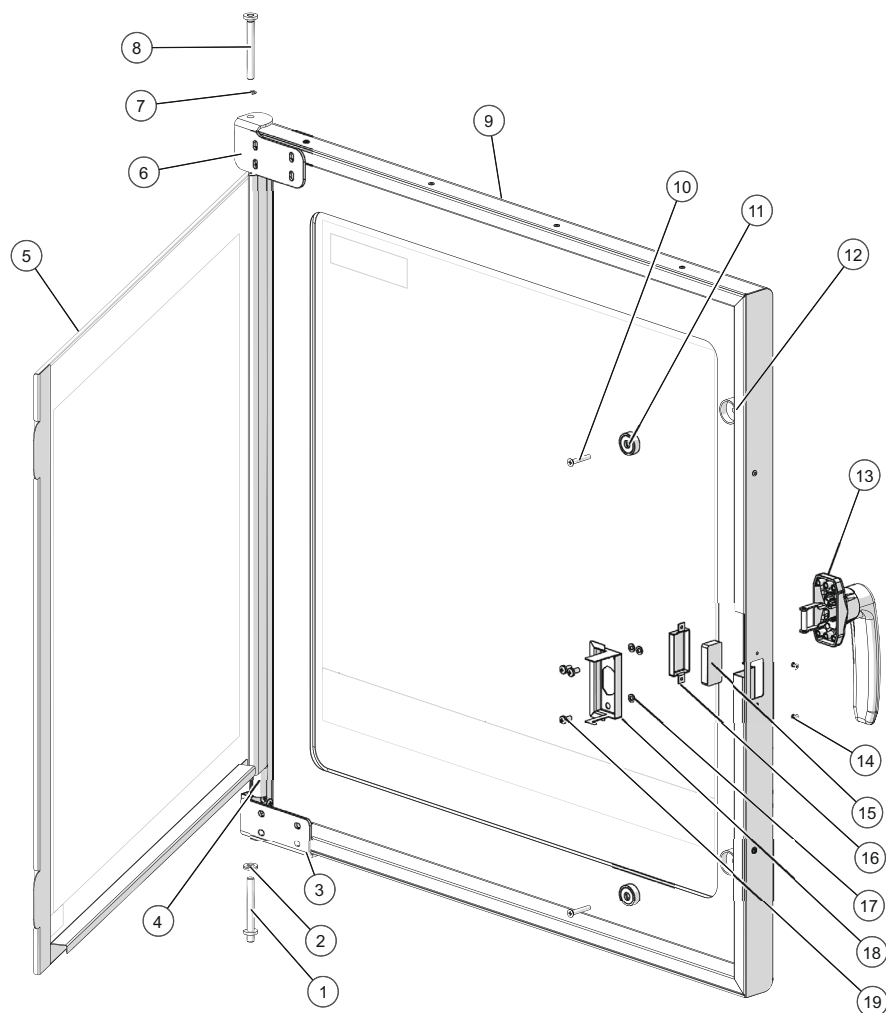
ID	Part No.	Description
1	5028937	DOOR ASSEMBLY, INNER, RH
2	5020965	DOOR ASSEMBLY, OUTER, CURVED, RH
3	1022685	HINGE, DOOR, RH, BOTTOM
4	PI-26352	PIN, DOOR BOTTOM
5	WS-22298	WASHER, M8, 18-8
6	1030507	HINGE, UPPER, SLOTTED
7	CL-39138	CLIP, E, EXTERNAL, SIDE MOUNT
8	PI-26350	PIN, DOOR TOP
9	SC-38246	SCREW, M4x0.7X35MM FLAT
10	MA-38245	MAGNET, NEO, NICKEL PLATED
11	BM-38244	BUMPER, STAND-OFF, AR-7, DOOR
12	1027921	COVER, DOOR MAGNET
13	MA-25734	MAGNET, DOOR, AR-7E, BLACK
14	HD-39262R	HANDLE, DOOR, PENDLUM
15	1027982	BRACKET, COVER, HANDLE, AR-7
16	WS-22301	WASHER, M5 SPLIT LOCK S/S 18-8
17	SC-22766	SCREW, M5x0.8X10MM PAN
18	SP-37313	SPACER, BOTTOM, INNER GLASS,
19	RI-2100	RIVET, BLIND, #44, STNLS/BLK

AR-7T / AR-7HT Door Assembly, Curved, LH



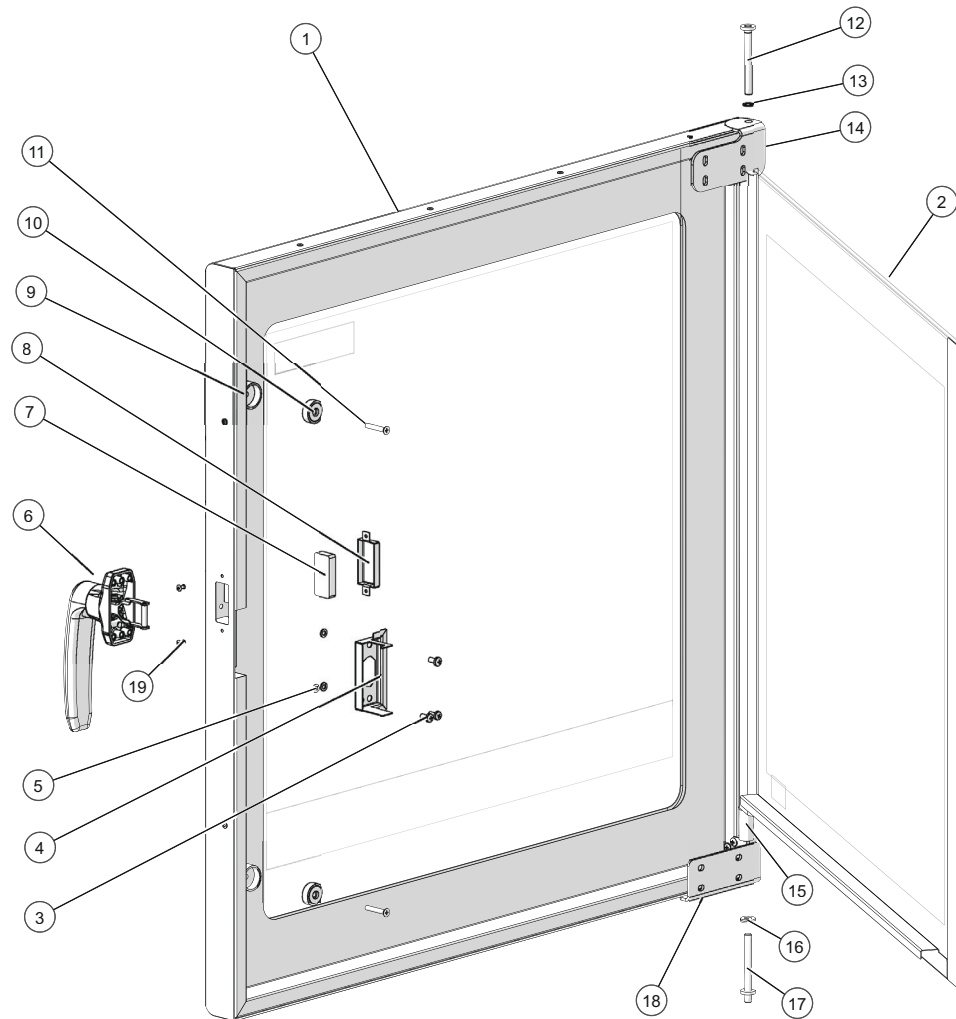
ID	Part No.	Description
1	5020972	DOOR ASSEMBLY, OUTER,CURVED,LH
2	5028984	DOOR ASSEMBLY, INNER, LH
3	SC-22766	SCREW,M5x0.8X10MM PAN
4	WS-22301	WASHER, M5 SPLIT LOCK S/S 18-8
5	1027982	BRACKET,COVER,HANDLE,AR-7
6	HD-39326R	HANDLE, DOOR, LEFT, AR-7
7	MA-25734	MAGNET, DOOR, AR-7E,BLACK
8	1027921	COVER, DOOR MAGNET
9	BM-38244	BUMPER,STAND-OFF,AR-7,DOOR
10	MA-38245	MAGNET,NEO, NICKEL PLATED
11	SC-38246	SCREW,M4x0.7X35MM FLAT
12	PI-26350	PIN, DOOR TOP
13	CL-39138	CLIP, E, EXTERNAL, SIDE MOUNT
14	1031274	HINGE, UPPER, SLOTTED
15	SP-37313	SPACER, BOTTOM, INNER GLASS,
16	PI-26352	PIN, DOOR BOTTOM
17	WS-22298	WASHER, M8, 18-8
18	1023661	HINGE, DOOR, AR-7/AR-7T
19	RI-2100	RIVET,BLIND,#44,STNLS

AR-7T / AR-7HT Door Assembly, Flat, RH



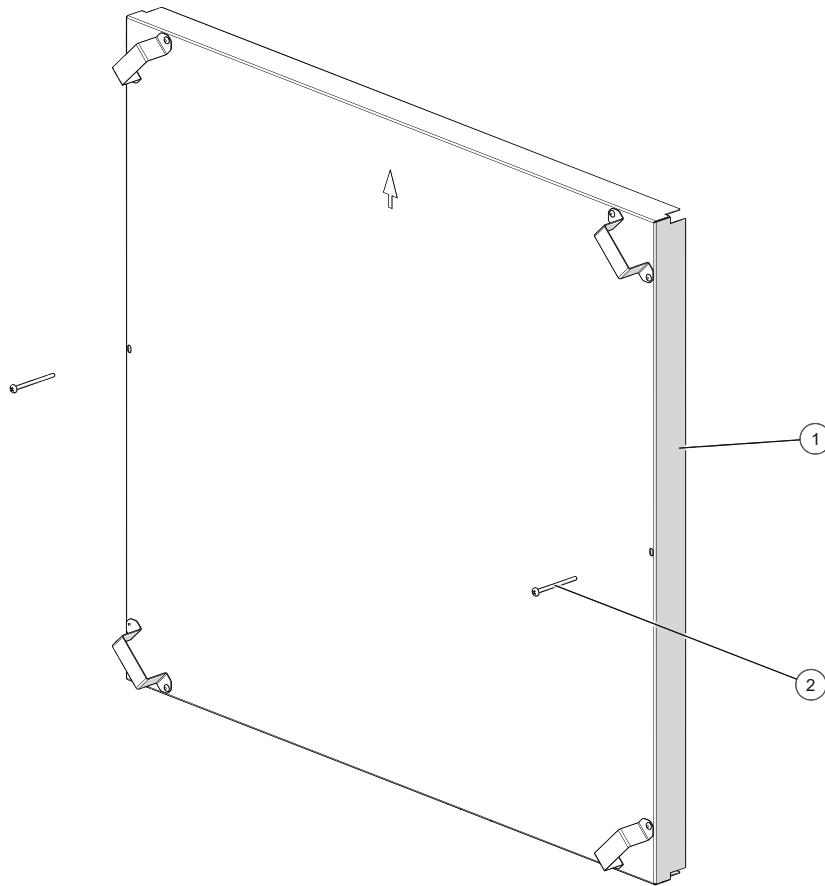
ID	Part No.	Description
1	PI-26352	PIN, DOOR BOTTOM
2	WS-22298	WASHER, M8, 18-8
3	1022685	HINGE, DOOR, RH, BOTTOM
4	SP-37313	SPACER, BOTTOM, INNER GLASS,
5	5028937	DOOR ASSEMBLY, INNER, RH
6	1030507	HINGE, UPPER, SLOTTED
7	CL-39138	CLIP, E, EXTERNAL, SIDE MOUNT
8	PI-26350	PIN, DOOR TOP
9	5028938	DOOR ASSEMBLY, OUTER, FLAT, RH
10	SC-22853	SCREW, M5x0.8X30MM FLAT
11	MA-38245	MAGNET, NEO, NICKEL PLATED
12	BM-46449	BUMPER, STAND-OFF, AR-7, DOOR
13	HD-39262R	HANDLE, DOOR, PENDULUM
14	RI-2100	RIVET, BLIND, #44, STNLS
15	MA-25734	MAGNET, DOOR, AR-7E, BLACK
16	1032804	TAB, MAGNET, DOOR
17	WS-22301	WASHER, M5 SPLIT LOCK S/S 18-8
18	1031010	COVER, HANDLE, FLAT DOOR
19	SC-22766	SCREW, M5x0.8X10MM PAN

AR-7T / AR-7HT Door Assembly, Flat, LH



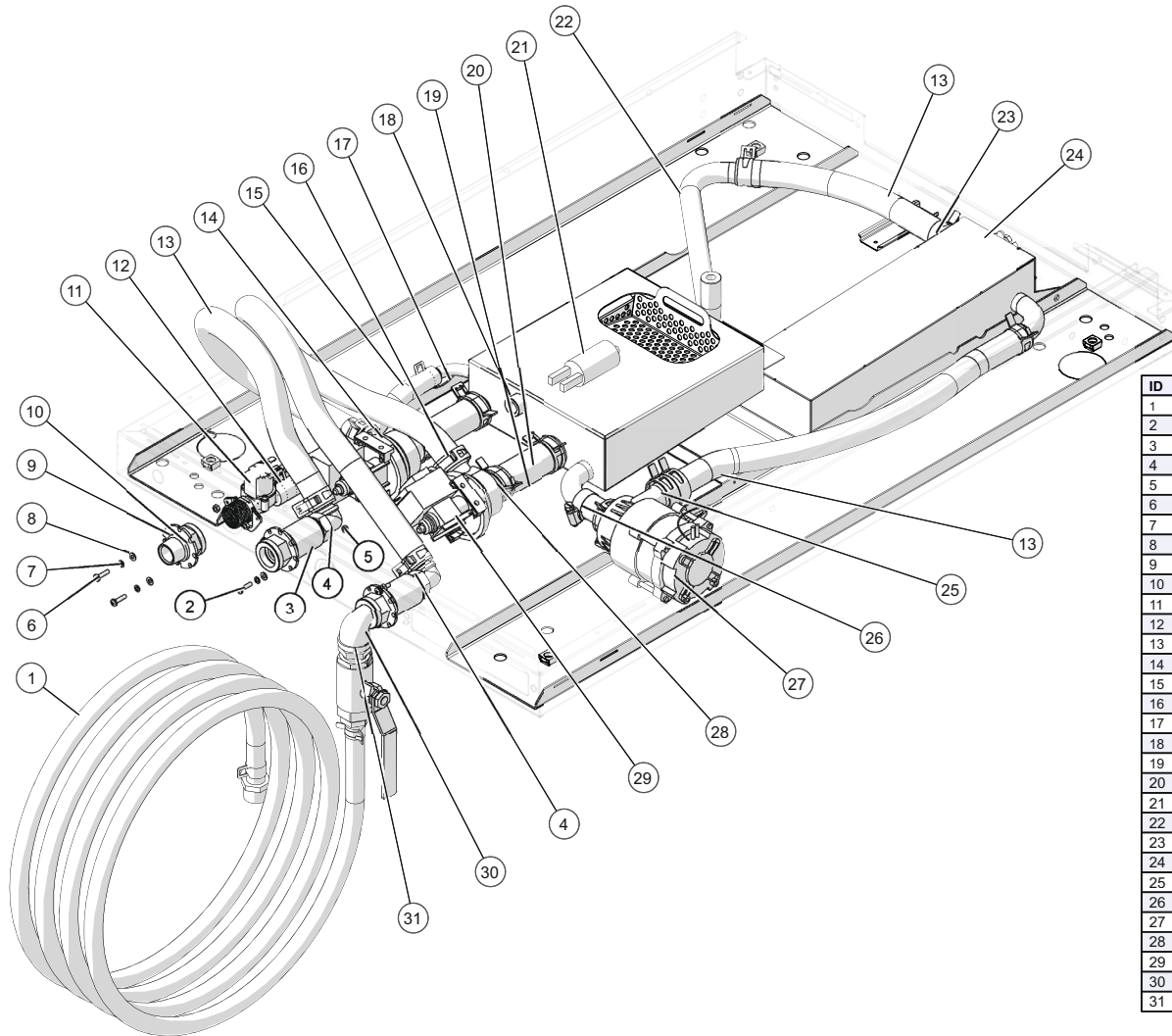
ID	Part No.	Description
1	5028983	DOOR ASSEMBLY, OUTER, FLAT, LH
2	5028984	DOOR ASSEMBLY, INNER, LH
3	SC-22766	SCREW,M5x0.8X10MM PAN
4	1031010	COVER, HANDLE, FLAT DOOR
5	WS-22301	WASHER, M5 SPLIT LOCK S/S 18-8
6	HD-39326R	HANDLE, DOOR, LEFT, AR-7
7	MA-25734	MAGNET, DOOR, AR-7E,BLACK
8	1032804	TAB, MAGNET, DOOR
9	BM-46449	BUMPER,STAND-OFF,AR-7,DOOR
10	MA-38245	MAGNET,NEO, NICKEL PLATED
11	SC-22853	SCREW,M5x0.8X30MM FLAT
12	PI-26350	PIN, DOOR TOP
13	CL-39138	CLIP, E, EXTERNAL, SIDE MOUNT
14	1031274	HINGE, UPPER, SLOTTED
15	SP-37313	SPACER, BOTTOM, INNER GLASS,
16	WS-22298	WASHER, M8, 18-8
17	PI-26352	PIN, DOOR BOTTOM
18	1023661	HINGE, DOOR, AR-7/AR-7T
19	RI-2100	RIVET,BLIND,#44,STNLS

AR-7T / AR-7HT Door Assembly, Flat Back



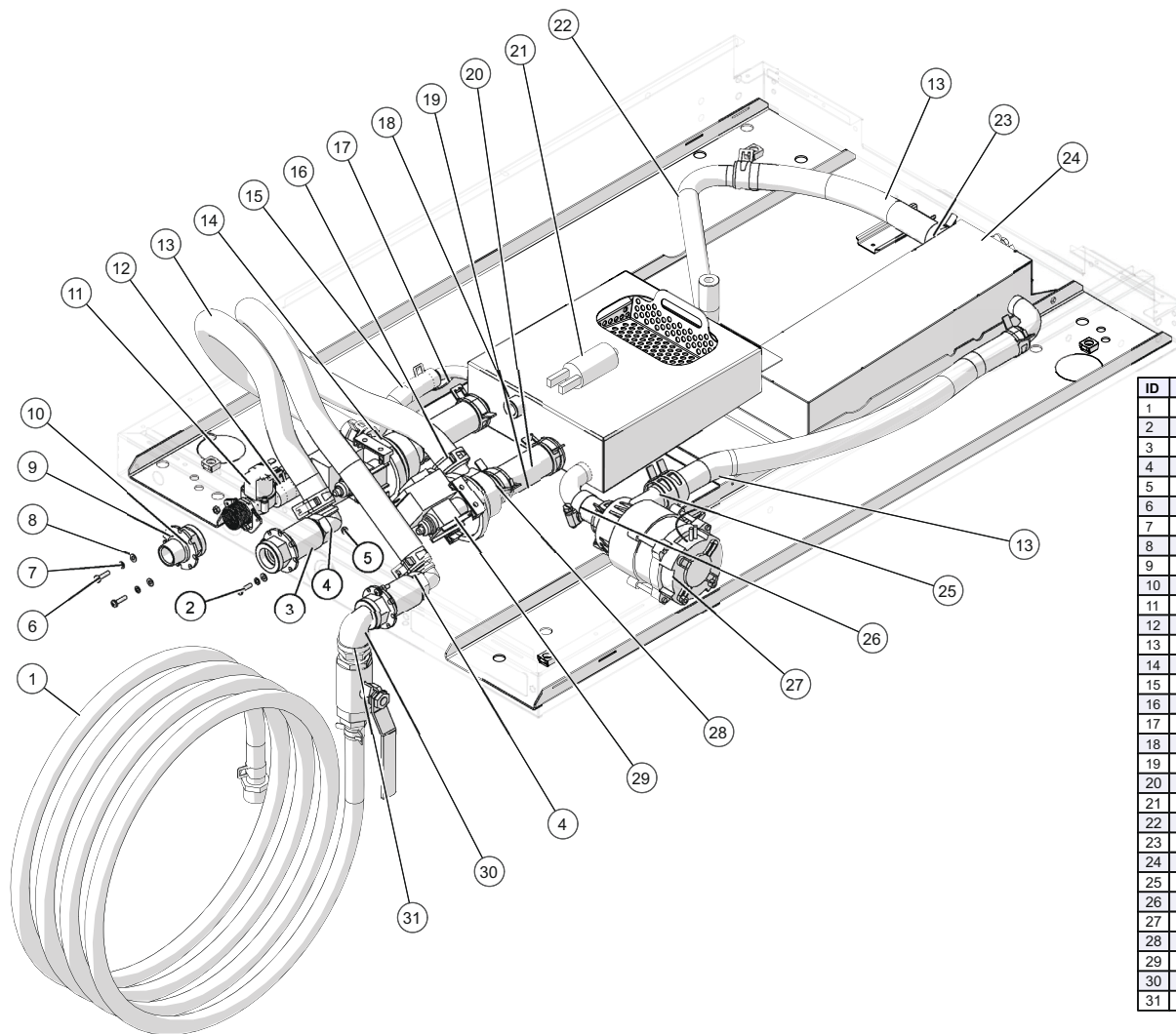
ID	Part No.	Description
1	5018308	ASSEMBLY, FLAT BACK
2	SC-23154	8-32 X 2 PHILLIPS PAN HEAD 18-8 S.S.

AR-7T Plumbing/Wash Assembly (60" Hose)



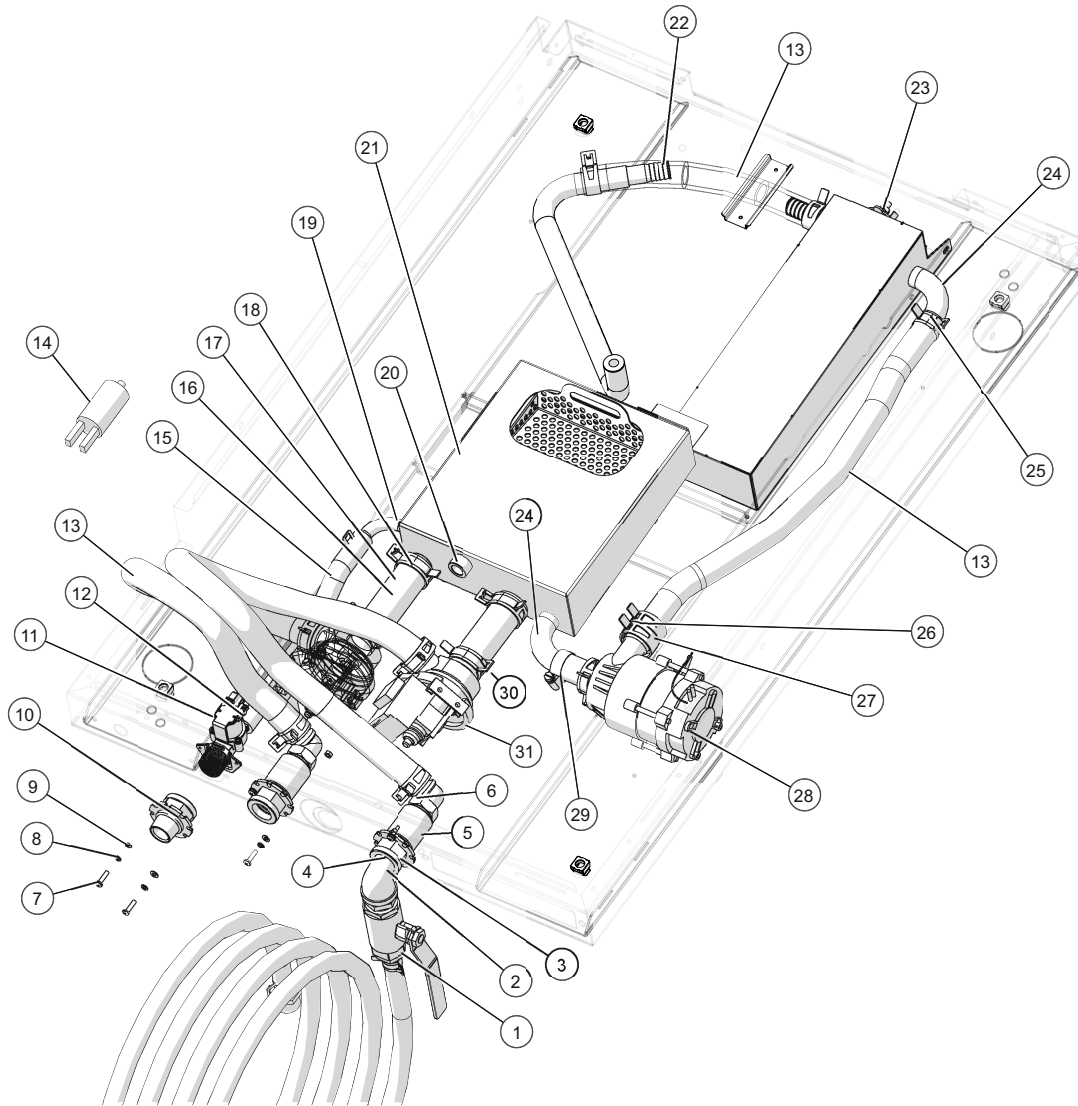
ID	Part No.	Description	Qty
1	5032699R	GREASE COLLECTION 10FT HOSE SVC KIT	1
2	SC-22765	SCREW,M4x0.7X16MM PAN	2
3	FT-27254	COUPLING, 3/4 NPT X 3/4 NPT	2
4	FT-38298	ELBOW,3/4"NPT MALE X 3/4" BARB	2
5	NU-22286	M4-0.7 HEX NUT 18-8	6
6	SC-38240	SCREW,M4x0.7X16MM PAN	4
7	WS-22300	WASHER, M4 SPLIT LOCK	6
8	WS-22294	WASHER, FLAT M4 18-8 S/S	6
9	5024963	FITTING, G 3/4 BSP BY 3/4 NPT	3
10	WS-39293	WASHER, SEALING	3
11	VA-39298	VALVE SOLENOID, SINGLE PORT	1
12	CM-28145	CLAMP, HOSE, 20mm	4
13	HO-38929	HOSE, 3/4" ID (SOLD BY THE FOOT)	5
14	BG-38918	BEARING, FLANGED SLEEVE, 26MM	2
15	HO-28790	HOSE, 1/2" ID (SOLD BY THE FOOT)	2
16	BG-29085	BEARING, FLANGED SLEEVE, 20MM	4
17	FT-46162	FITTING, ELBOW 1/2 BARB - WELD	1
18	FT-29816	COUPLING, HALF, FEMALE, 1/4" NPT	1
19	HO-38919	HOSE, 1" ID (SOLD BY THE FOOT)	2
20	FT-39676	FITTING, STRGHT 1" BARB TO WLD	2
21	MO-34636 CAP	CAPACITOR FOR MO-34636	1
22	1022791	TUBE, WASH, FORMED	1
23	FT-39675	FITTING, STRGHT 3/4 BRB TO WLD	3
24	5025596	ASSY, WATER HEATER TANK	1
25	CM-46838	CLAMP, SPRING, 35mm	5
26	CM-39763	CLAMP, SS, WORMGEAR	1
27	MO-34636	PUMP, WASH SYSTEM	1
28	CM-46839	CLAMP, SPRING, 36mm	4
29	DA-24973	PUMP, STEAM GENERATOR	2
30	EB-38854	ELBOW, 3/4 NPT, FEMALE X MALE	1
31	FT-29811	FITTING, 3/4 NPT HEX, NYLON	1

AR-7T Plumbing/Wash Assembly (60" Hose)



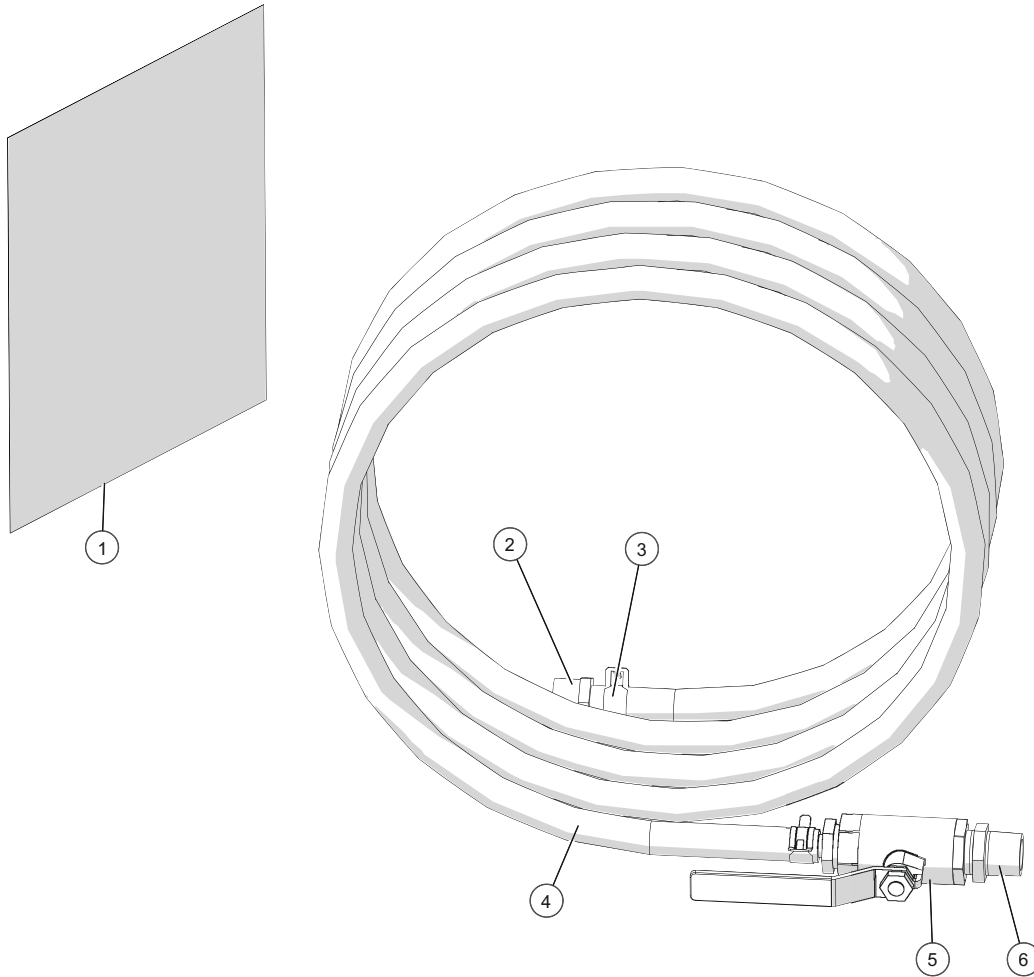
ID	Part No.	Description	Qty
1	5032699R	GREASE COLLECTION 10FT HOSE SVC KIT	1
2	SC-22765	SCREW,M4x0.7X16MM PAN	2
3	FT-27254	COUPLING, 3/4 NPT X 3/4 NPT	2
4	FT-38298	ELBOW,3/4"NPT MALE X 3/4" BARB	2
5	NU-22286	M4-0.7 HEX NUT 18-8	6
6	SC-38240	SCREW,M4x0.7X16MM PAN	4
7	WS-22300	WASHER, M4 SPLIT LOCK	6
8	WS-22294	WASHER, FLAT M4 18-8 S/S	6
9	5024963	FITTING, G 3/4 BSP BY 3/4 NPT	3
10	WS-39293	WASHER, SEALING	3
11	VA-39298	VALVE SOLENOID, SINGLE PORT	1
12	CM-28145	CLAMP, HOSE, 20mm	4
13	HO-38929	HOSE, 3/4" ID (SOLD BY THE FOOT)	5
14	BG-38918	BEARING, FLANGED SLEEVE, 26MM	2
15	HO-28790	HOSE, 1/2" ID (SOLD BY THE FOOT)	2
16	BG-29085	BEARING, FLANGED SLEEVE, 20MM	4
17	FT-46162	FITTING, ELBOW 1/2 BARB - WELD	1
18	FT-29816	COUPLING,HALF,FEMALE,1/4" NPT	1
19	HO-38919	HOSE, 1" ID (SOLD BY THE FOOT)	2
20	FT-39676	FITTING, STRGHT 1" BARB TO WLD	2
21	MO-34636 CAP	CAPACITOR FOR MO-34636	1
22	1022791	TUBE,WASH,FORMED	1
23	FT-39675	FITTING, STRGHT 3/4 BRB TO WLD	3
24	5025596	ASSY, WATER HEATER TANK	1
25	CM-46838	CLAMP, SPRING, 35mm	5
26	CM-39763	CLAMP, SS, WORMGEAR	1
27	MO-34636	PUMP, WASH SYSTEM	1
28	CM-46839	CLAMP, SPRING, 36mm	4
29	DA-24973	PUMP, STEAM GENERATOR	2
30	EB-38854	ELBOW, 3/4 NPT, FEMALE X MALE	1
31	FT-29811	FITTING, 3/4 NPT HEX, NYLON	1

AR-7T Plumbing/Wash Assembly (120" Hose)



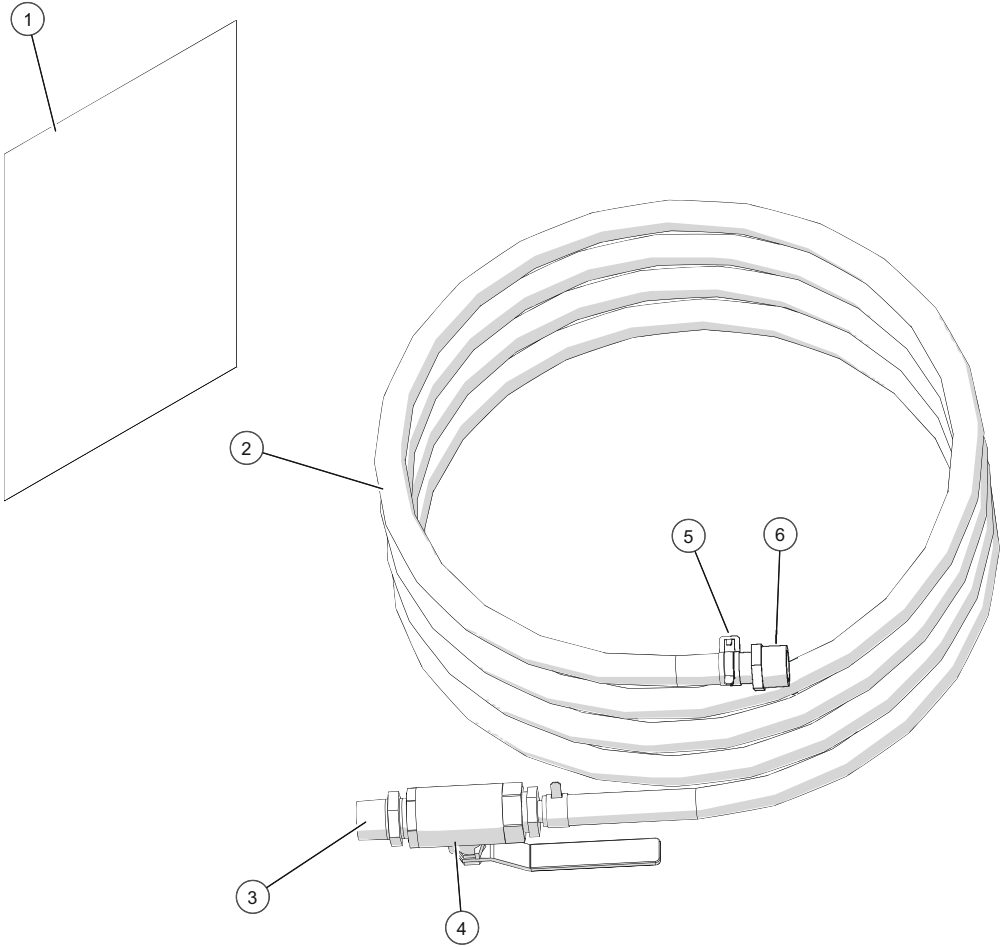
ID	Part No.	Description	Qty
1	5032699R	GREASE COLLECTION HOSE ASSY, 10 FT	1
2	EB-38854	ELBOW, 3/4 NPT, FEMALE X MALE	1
3	NU-22286	M4-0.7 HEX NUT 18-8	4
4	WS-39293	WASHER, SEALING	3
5	FT-27254	COUPLING, 3/4 NPT X 3/4 NPT	2
6	FT-38298	ELBOW, 3/4"NPT MALE X 3/4" BARB	2
7	SC-38240	SCREW, M4x0.7X16MM PAN	6
8	WS-22300	WASHER, M4 SPLIT LOCK	6
9	WS-22294	WASHER, FLAT M4 18-8 S/S	6
10	5024963	FITTING, G 3/4 BSP BY 3/4 NPT	3
11	VA-39298	VALVE SOLENOID, SINGLE PORT	2
12	CM-28145	CLAMP, HOSE, 20mm	2
13	HO-38929	HOSE, 3/4" ID (SOLD BY THE FOOT)	5
14	MO-34636 CAP	CAPACITOR FOR MO-34636	1
15	HO-28790	HOSE, 1/2" ID (SOLD BY THE FOOT)	1
16	HO-38919	HOSE, 1" ID (SOLD BY THE FOOT)	2
17	FT-39676	FITTING, STRGHT 1" BARB TO WLD	2
18	CM-46839	CLAMP, SPRING, 36mm	4
19	FT-46162	FITTING, ELBOW 1/2 BARB - WELD	1
20	FT-29816	COUPLING, HALF, FEMALE, 1/4" NPT	1
21	5023420	TANK, WASH, WELDMENT	1
22	FT-39675	FITTING, STRGHT 3/4 BRB TO WLD	3
23	5025596	ASSY, WATER HEATER TANK	1
24	TU-38363	TUBE, 90DEG, AR WASH SYS	2
25	CM-46837	CLAMP, SPRING, 27mm	5
26	BG-29085	BEARING, FLANGED SLEEVE, 20MM	4
27	CM-46838	CLAMP, SPRING, 35mm	5
28	MO-34636	PUMP, WASH SYSTEM	1
29	CM-39763	CLAMP, SS, WORMGEAR	1
30	BG-38918	BEARING, FLANGED SLEEVE, 26MM	2
31	DA-24973	PUMP, STEAM GENERATOR	2

Grease Collection Hose Service Kit, 60"



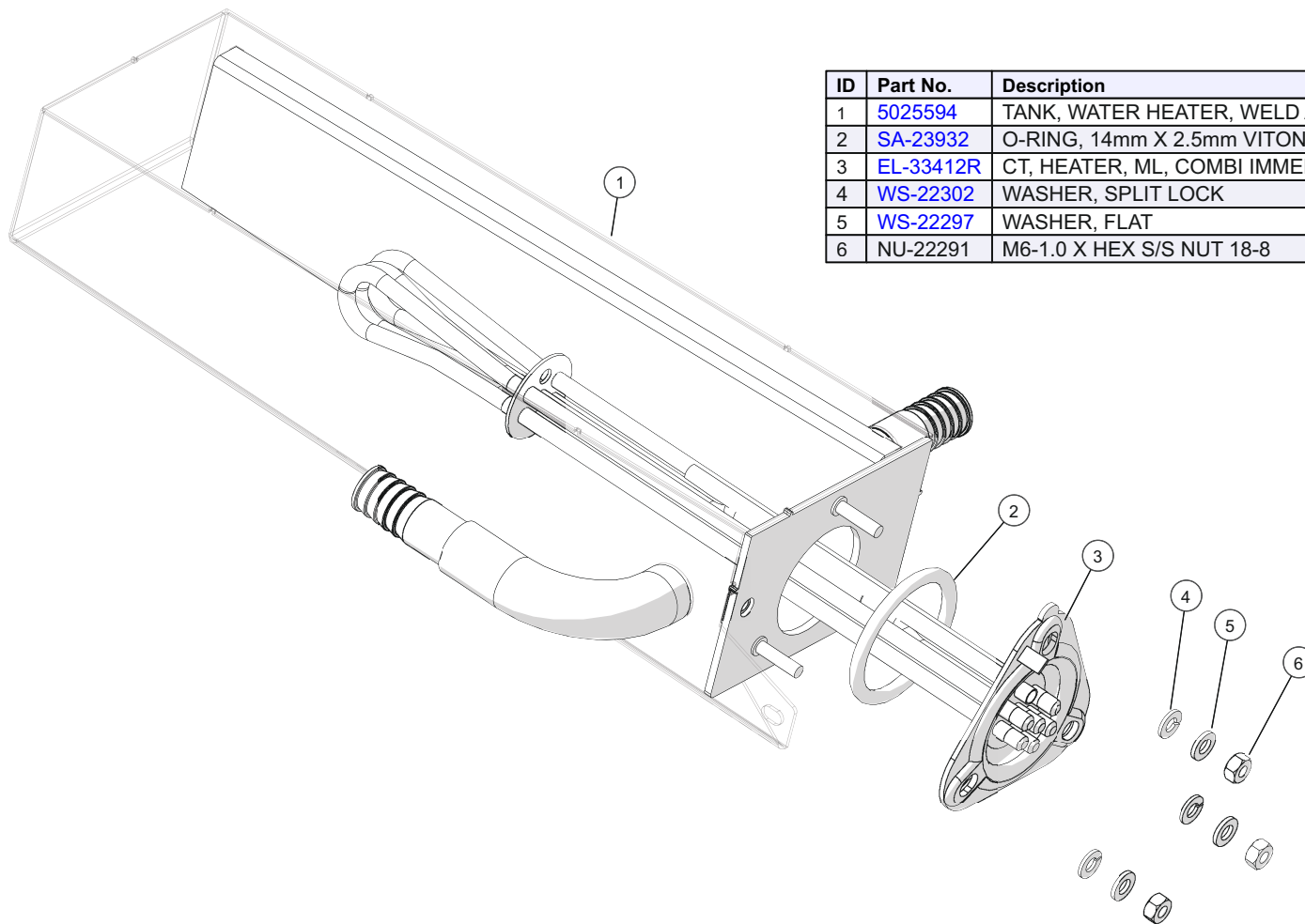
ID	Part No.	Description	Qty
1	SRV-20104	SERVICE DOC, GRS COL KIT INSTL	1
2	FT-35203	FITTING, 1/2" BARB TO 3/4" NPT ADAPTER	2
3	CM-28145	CLAMP, HOSE, 20mm	2
4	HO-28790	1/2" ID, HI-TEMP SEMI-CLR 60" LG	1
5	VA-29814	VALVE, BALL, 3/4" NPT, BRASS	1
6	FT-29811	FITTING, 3/4 NPT HEX, NYLON	1

Grease Collection Hose Service Kit, 120"



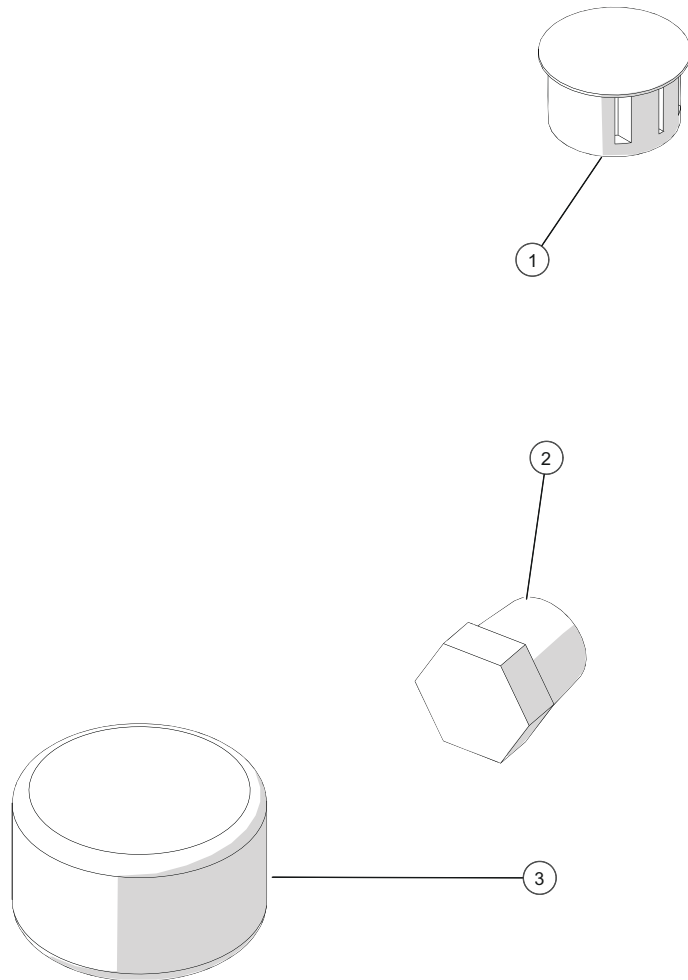
ID	Part No.	Description	Qty
1	SRV-20104	SERVICE DOC, GRS COL KIT INSTL	1
2	HO-28790	1/2" ID, HI-TEMP SEMI-CLR 120"	1
3	FT-29811	FITTING, 3/4 NPT HEX, NYLON	1
4	VA-29814	VALVE, BALL, 3/4" NPT, BRASS	1
5	CM-28145	CLAMP, HOSE, 20mm	2
6	FT-35203	FITTING, 1/2" BARB TO 3/4" NPT ADAPTOR	2

Water Heater Tank Assembly



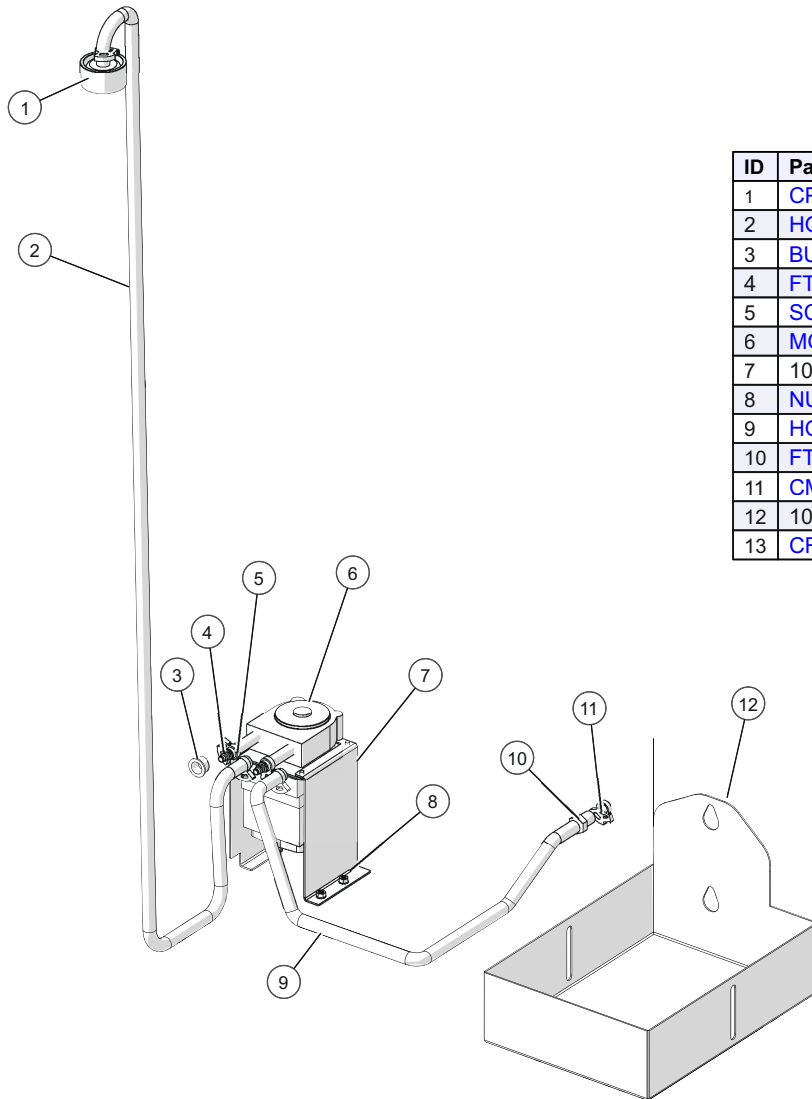
ID	Part No.	Description
1	5025594	TANK, WATER HEATER, WELD ASSY
2	SA-23932	O-RING, 14mm X 2.5mm VITON
3	EL-33412R	CT, HEATER, ML, COMBI IMMERSION, 6KW, FLANGED
4	WS-22302	WASHER, SPLIT LOCK
5	WS-22297	WASHER, FLAT
6	NU-22291	M6-1.0 X HEX S/S NUT 18-8

AR-7T Tablet Soap Injection Package



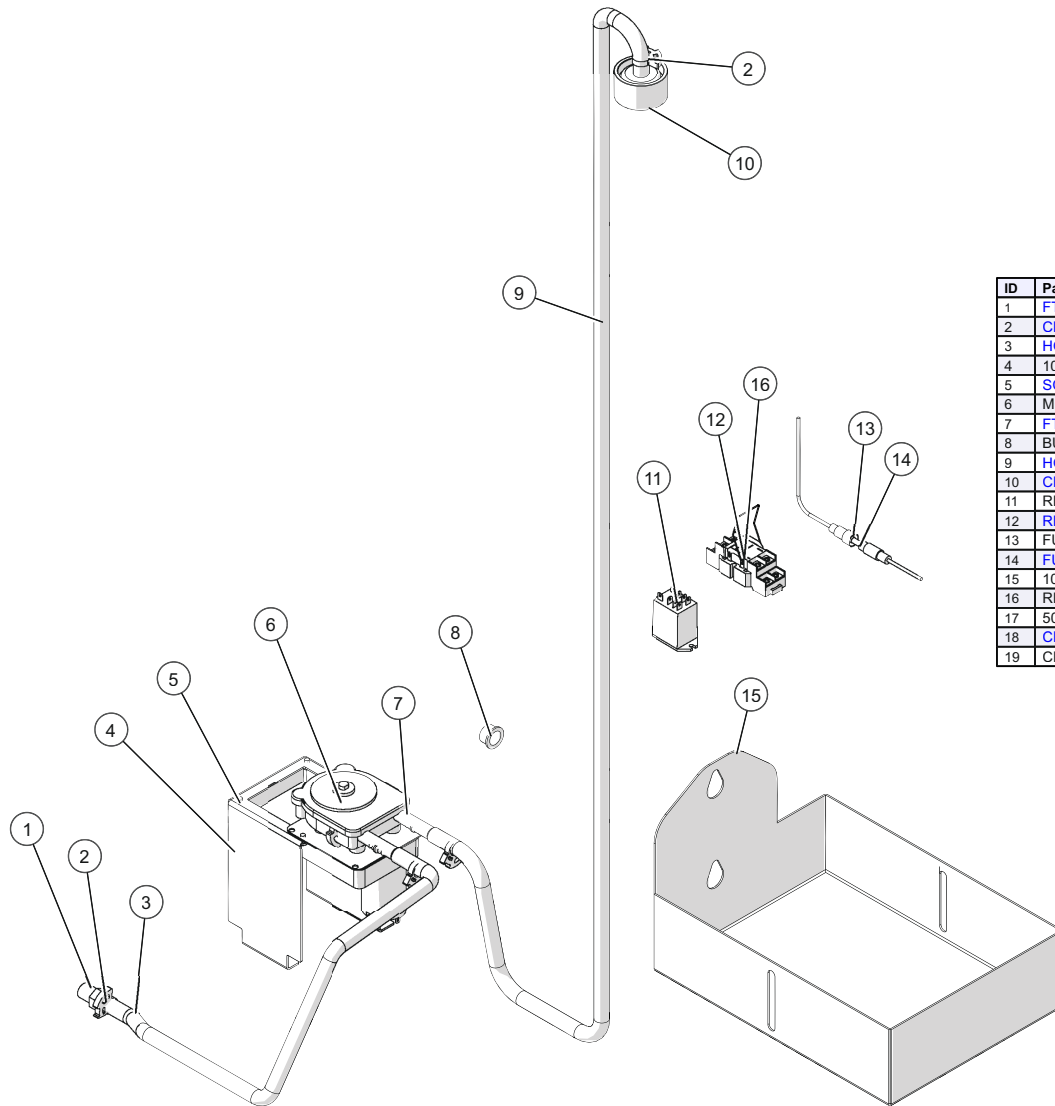
ID	Part No.	Description
1	PG-25536	5/8" HOLE PLUG
2	PG-29895	NPT PIPE PLUG, HEX HEAD, 1/4"
3	CE-46991	CLEANER, TABLET (50 PC BUCKET)

AR-7T Liquid Soap Injection Package



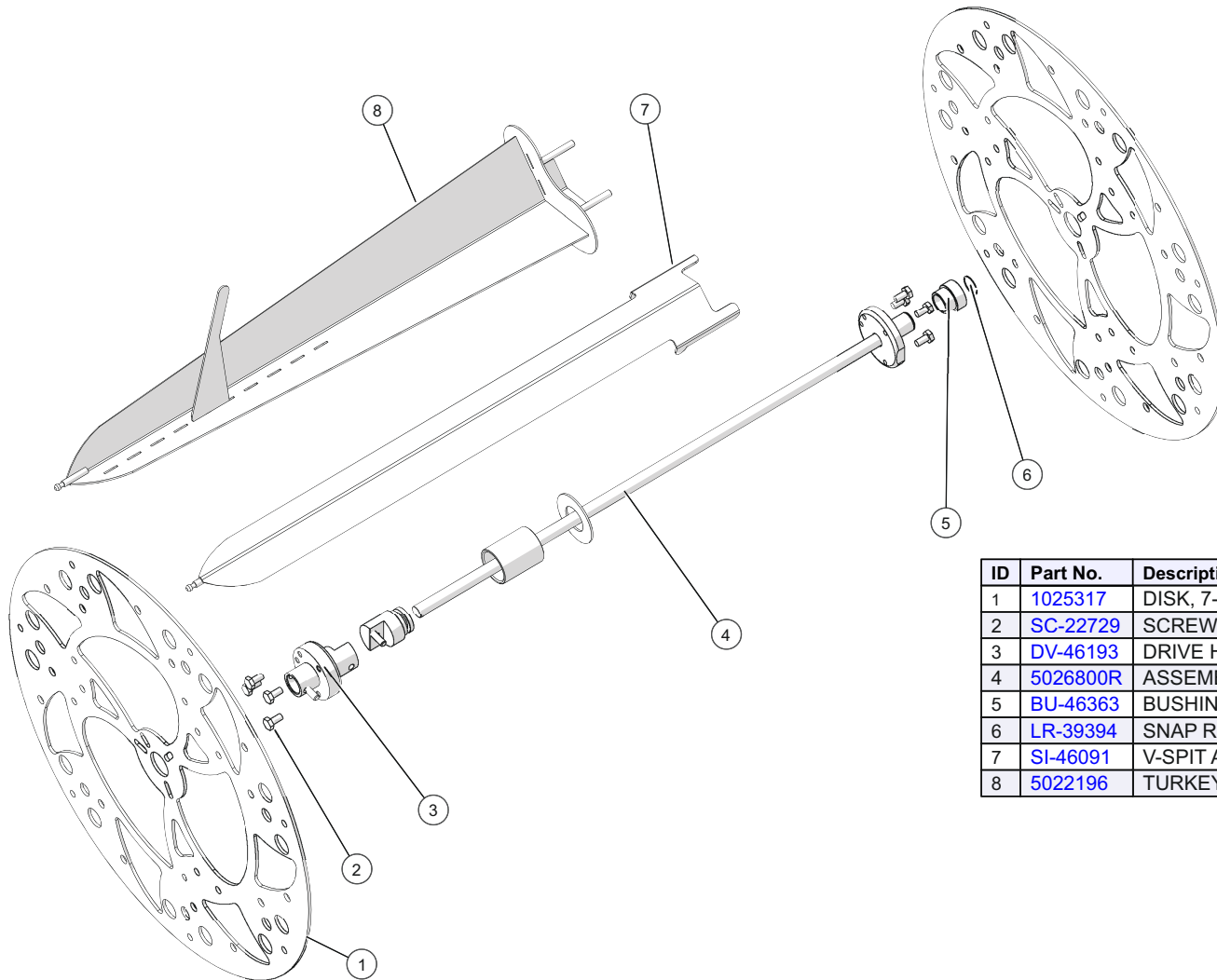
ID	Part No.	Description	Qty
1	CP-46870	DISPENSING CAP,38MM	1
2	HO-37315	HOSE, 1/4" ID, TAN, X 60" LG	1
3	BU-3611	5/8" SNAP BUSHING BLACK	1
4	FT-35434	COUPLING, DOUBLE BARBED, 1/4"	2
5	SC-22271	SCREW,M4x0.7X6MM PAN	4
6	MO-35408	MOTOR, 208-240V/1P 50/60HZ	1
7	1028658	BRACKET, SOAP PUMP, INVERTED	1
8	NU-36234	NUT, M5, KEPS	2
9	HO-37315	HOSE, 1/4" ID, TAN, X 25" LG	1
10	FT-29894	FITTING, 1/4" BARB TO 1/4" NPT	1
11	CM-37316	CLAMP, DOUBLE SNAP-GRIP, 1/2"	6
12	1018867	BRKT, LIQUID CLEANER	1
13	CR-34639	CONNECTOR, QUICK DISC, 1/4" MALE, 18-22GA (not shown)	2

AR-7T Liquid Soap Injection Package, Ecolab Cleaner



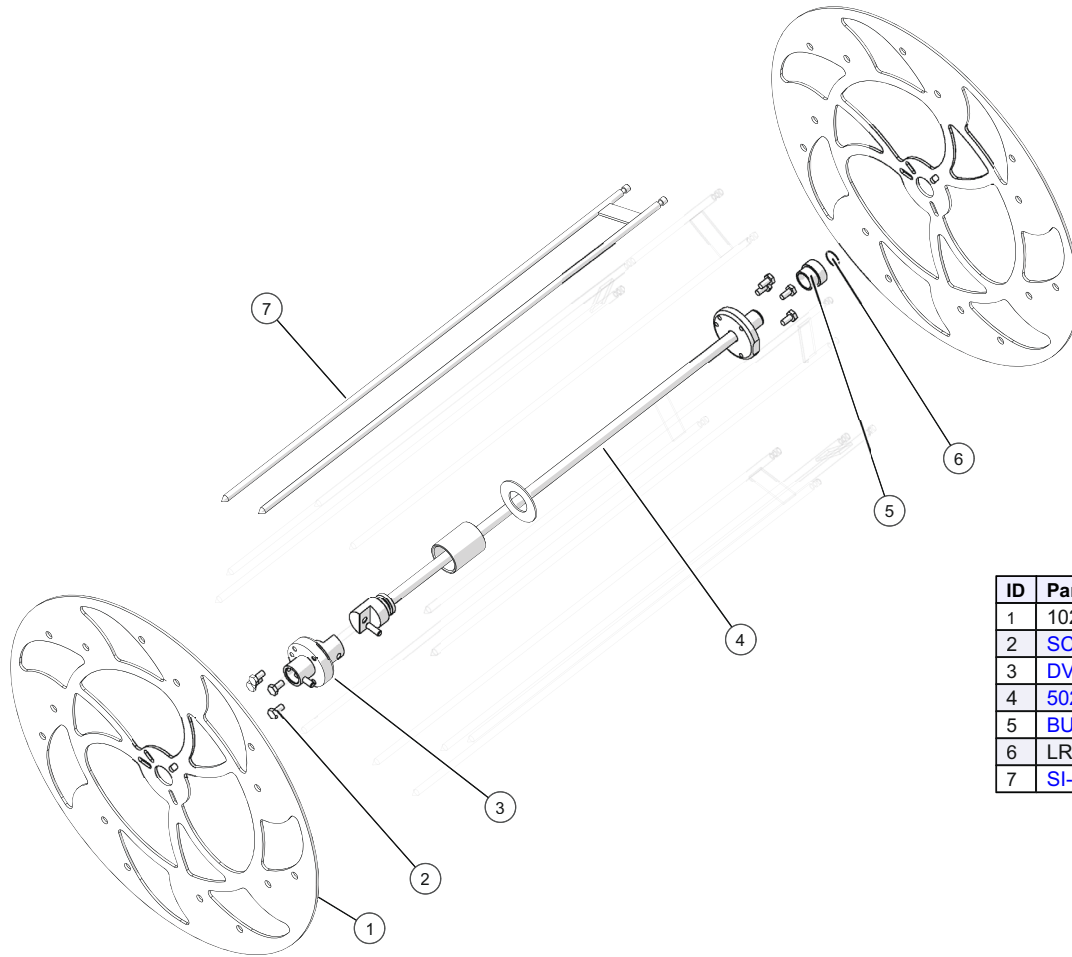
ID	Part No.	Description	Qty
1	FT-29894	FITTING, 1/4" BARB TO 1/4" NPT	1
2	CM-37316	CLAMP, DOUBLE SNAP-GRIP, 1/2"	6
3	HO-37315	HOSE, 1/4" ID, TAN, X 25" LG	1
4	1028658	BRACKET, SOAP PUMP, INVERTED	1
5	SC-22271	SCREW, M4x0.7X6MM PAN	4
6	MO-47964	PUMP, LIQUID CLEANER, 12VDC	1
7	FT-35434	COUPLING, DOUBLE BARBED, 1/4"	2
8	BU-3611	5/8" SNAP BUSHING BLACK	1
9	HO-37315	HOSE, 1/4" ID, TAN, X 60" LG	1
10	CP-35082	DISPENSING CAP, LIQ CLEANER, PURPLE	1
11	RL-33483	RELAY, 240V LY1F	1
12	RL-37266	RELAY HOLD-DOWN SPRING	1
13	FU-36762	IN-LINE FUSE HOLDER, 5X20MM 150 SERIES	1
14	FU-33184	5X20MM, SLOW BLO, 2 AMP, 250V	1
15	1018867	BRKT, LIQUID CLEANER	1
16	RL-34634	UNIVERSAL MOUNTING SOCKET	1
17	5019081	WIRE ASSY, CLEANING (not shown)	1
18	CE-36457	LQ SOAP INJECTION 2.5 GAL (not shown)	1
19	CR-34639	CONNECTOR, QUICK DISCONN, 1/4" MALE, 18-22 GA (not shown)	2

AR-7T Spit Assembly, 7-Spit, V-Spit, Standard



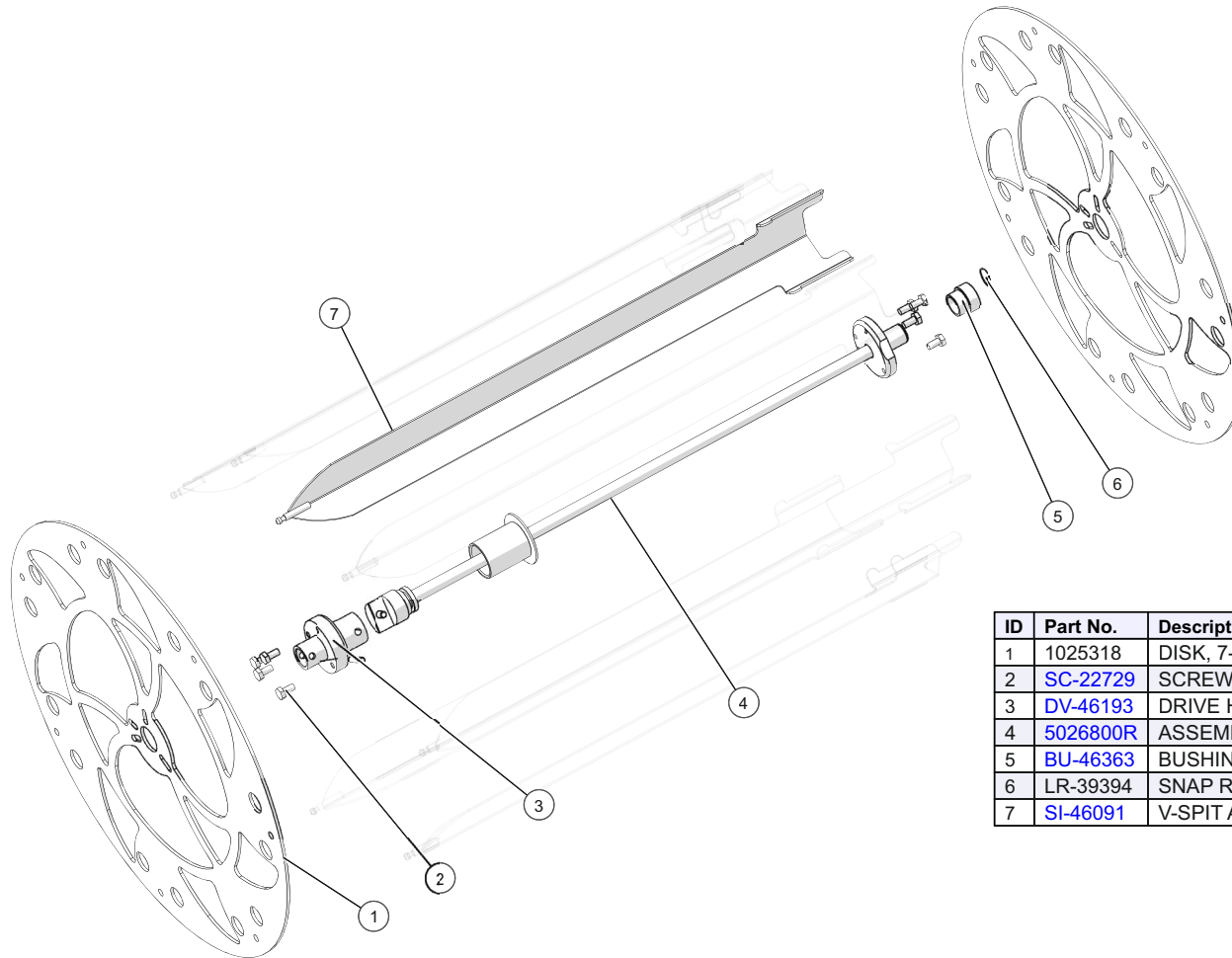
ID	Part No.	Description
1	1025317	DISK, 7-SPIT, ALL OPTIONS
2	SC-22729	SCREW 1/4-20 x 1/2" HEX HEAD
3	DV-46193	DRIVE HUB ASSEMBLY
4	5026800R	ASSEMBLY, AXLE DRIVE
5	BU-46363	BUSHING, LARGE GROOVE
6	LR-39394	SNAP RING
7	SI-46091	V-SPIT ASSEMBLY, REGULAR
8	5022196	TURKEY SPIT ASSB,SINGLE,AR-7T

AR-7T Spit Assembly, 7-Spit, Pierce Only



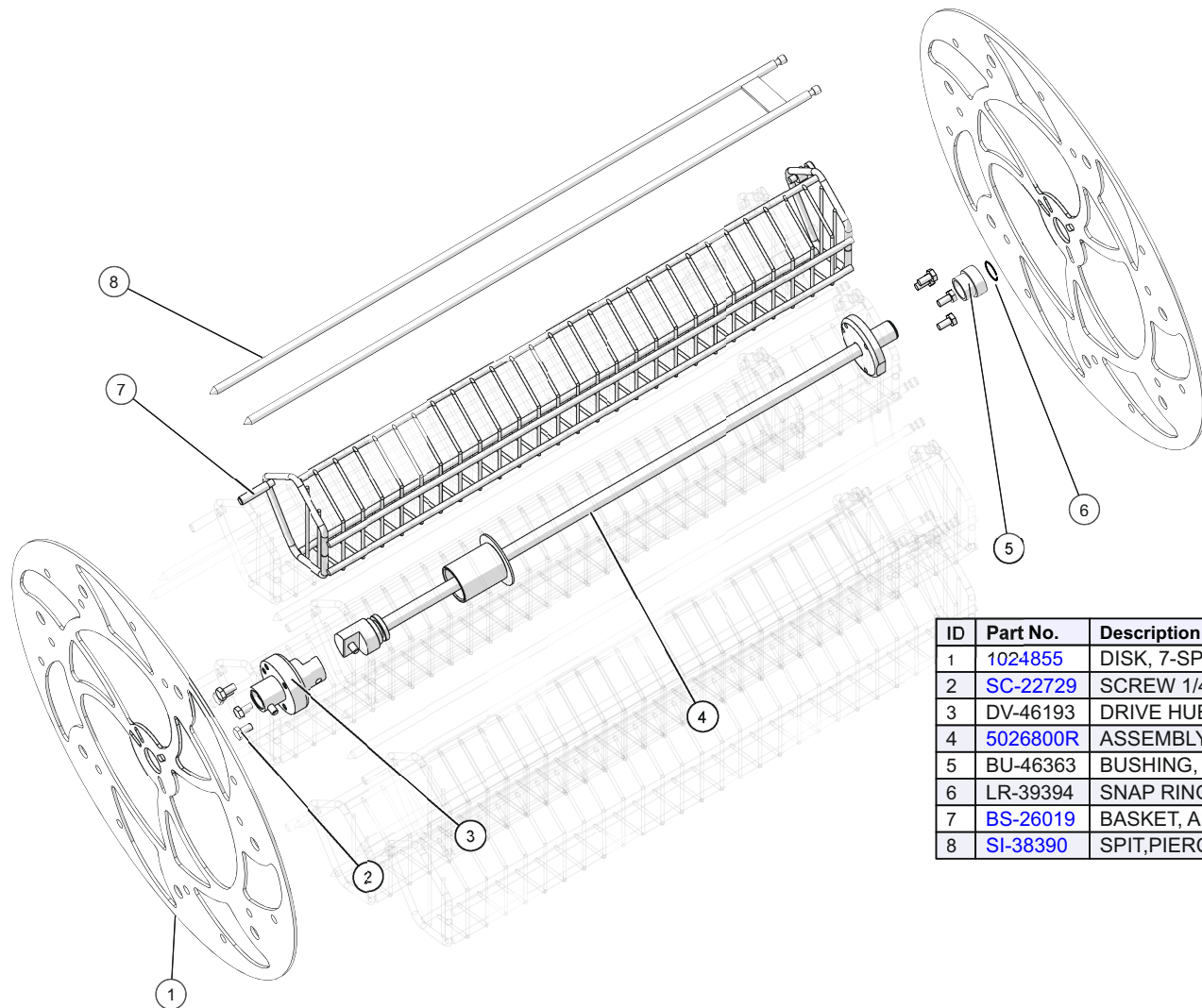
ID	Part No.	Description
1	1025319	DISK, 7-SPIT, PIERCE ONLY
2	SC-22729	SCREW 1/4-20 x 1/2" HEX HEAD
3	DV-46193	DRIVE HUB ASSEMBLY
4	5026800R	ASSEMBLY, AXLE DRIVE
5	BU-46363	BUSHING, LARGE GROOVE
6	LR-39394	SNAP RING
7	SI-38390	SPIT,PIERCE,AR-7,.313",DIA.

AR-7T Spit Assembly, 7-Spit, V-Spits Only



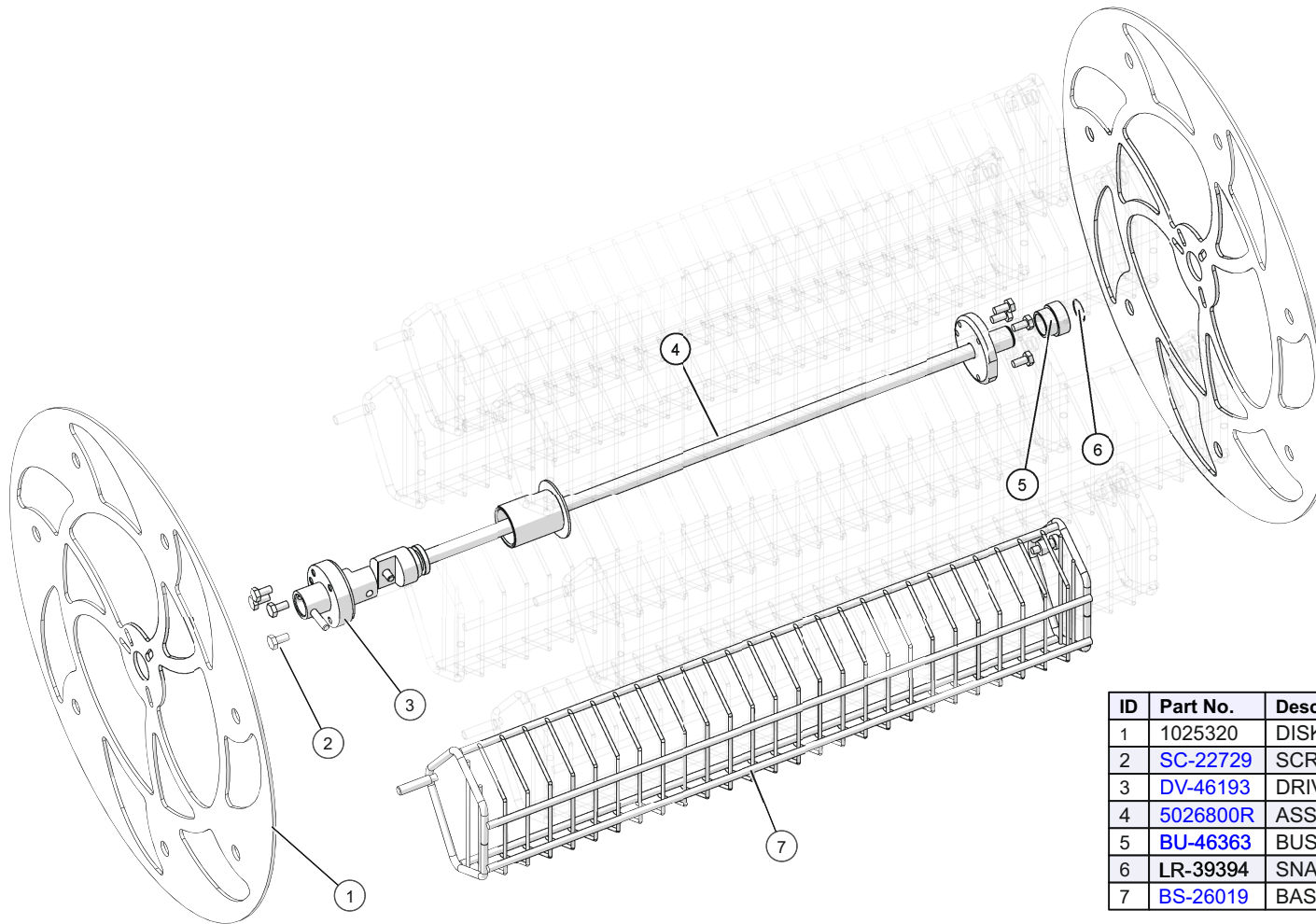
ID	Part No.	Description
1	1025318	DISK, 7-SPIT, V-SPITS ONLY
2	SC-22729	SCREW 1/4-20 x 1/2" HEX HEAD
3	DV-46193	DRIVE HUB ASSEMBLY
4	5026800R	ASSEMBLY, AXLE DRIVE
5	BU-46363	BUSHING, LARGE GROOVE
6	LR-39394	SNAP RING
7	SI-46091	V-SPIT ASSEMBLY, REGULAR

AR-7T Spit Assembly, 7-Spit, Pierce and Baskets



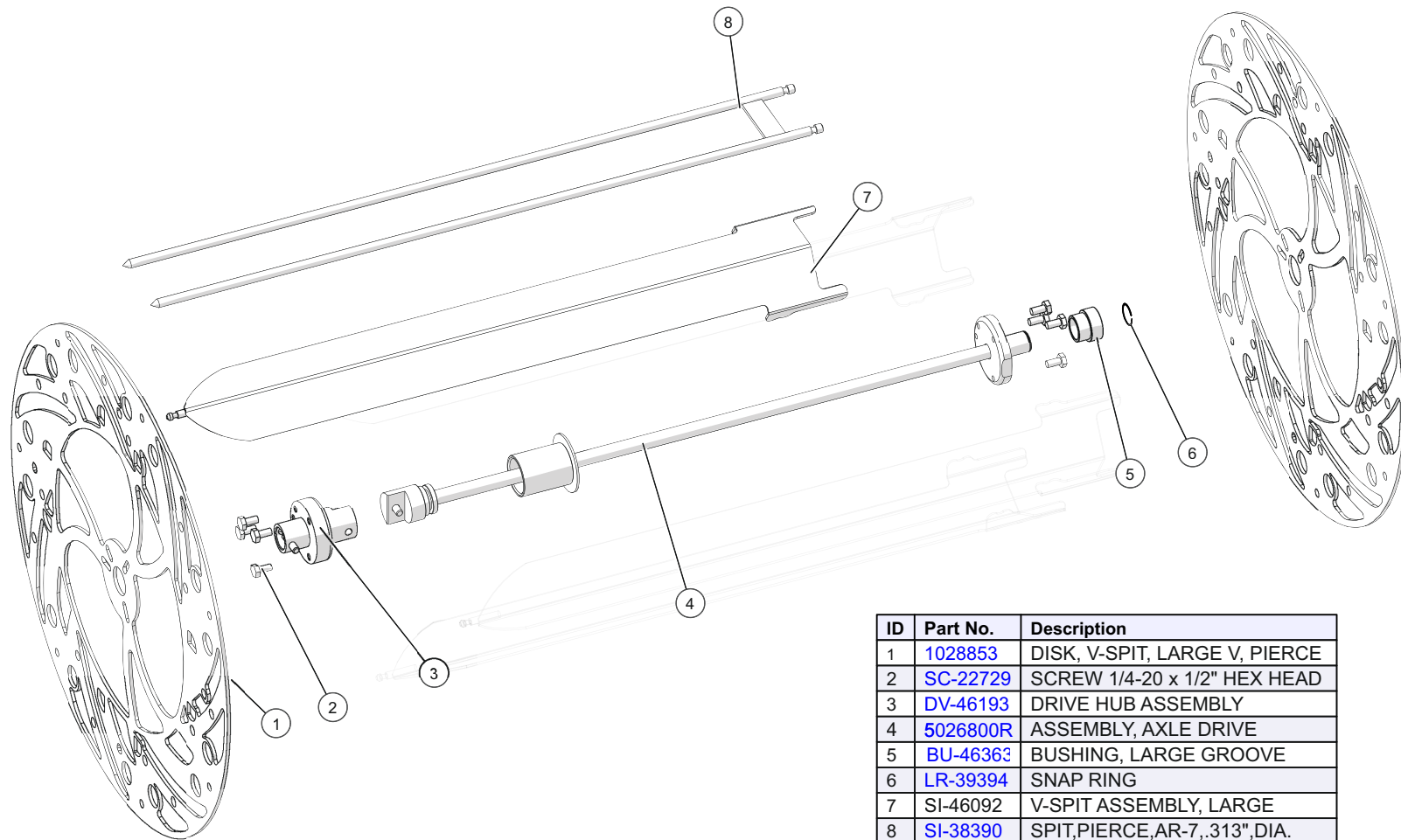
ID	Part No.	Description
1	1024855	DISK, 7-SPIT, PIERCE & BASKETS
2	SC-22729	SCREW 1/4-20 x 1/2" HEX HEAD
3	DV-46193	DRIVE HUB ASSEMBLY
4	5026800R	ASSEMBLY, AXLE DRIVE
5	BU-46363	BUSHING, LARGE GROOVE
6	LR-39394	SNAP RING
7	BS-26019	BASKET, AR-7E
8	SI-38390	SPIT, PIERCE, AR-7, .313", DIA.

AR-7T Spit Assembly, 7-Spit, Baskets Only



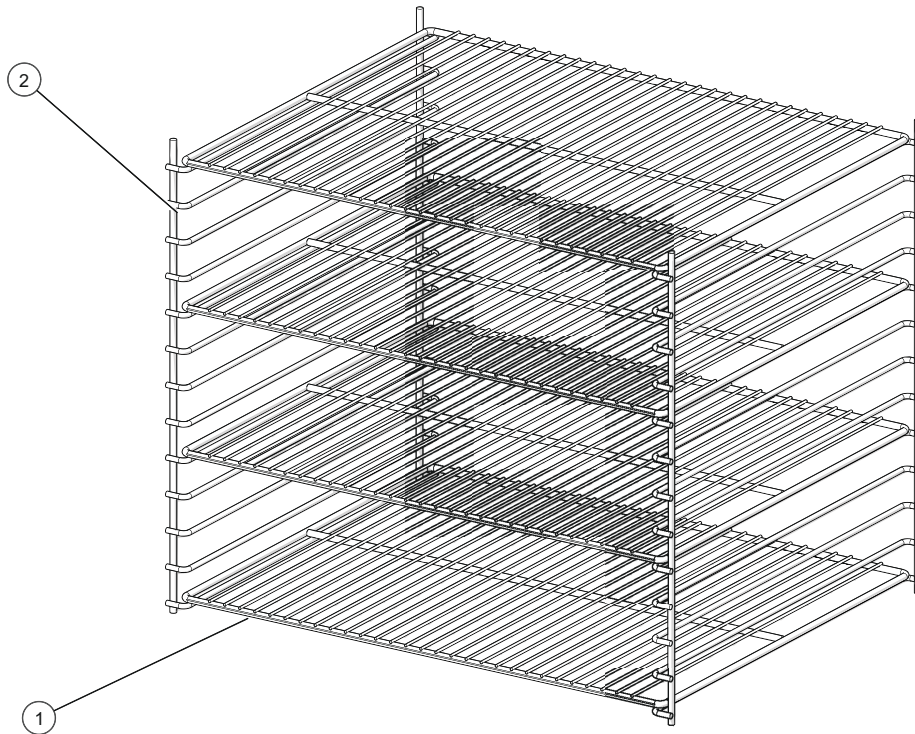
ID	Part No.	Description
1	1025320	DISK, 7-SPIT, BASKETS ONLY
2	SC-22729	SCREW 1/4-20 x 1/2" HEX HEAD
3	DV-46193	DRIVE HUB ASSEMBLY
4	5026800R	ASSEMBLY, AXLE DRIVE
5	BU-46363	BUSHING, LARGE GROOVE
6	LR-39394	SNAP RING
7	BS-26019	BASKET, AR-7E

AR-7T Spit Assembly, Large V-Spit Package



ID	Part No.	Description
1	1028853	DISK, V-SPIT, LARGE V, PIERCE
2	SC-22729	SCREW 1/4-20 x 1/2" HEX HEAD
3	DV-46193	DRIVE HUB ASSEMBLY
4	5026800R	ASSEMBLY, AXLE DRIVE
5	BU-46363	BUSHING, LARGE GROOVE
6	LR-39394	SNAP RING
7	SI-46092	V-SPIT ASSEMBLY, LARGE
8	SI-38390	SPIT, PIERCE, AR-7, .313", DIA.

AR-7HT Rack Package



ID	Part No.	Description
1	SH-24720	SHELF, S/S
2	SR-38458	SIDE,RACK,WIRE,AR-7H



ALTO-SHAAM[®]

Menomonee Falls, WI U.S.A.

Phone 800-558-8744 | +1-262-251-3800 | alto-shaam.com

ASIA

Shanghai, China
Phone +86-21-6173-0336

AUSTRALIA

Brisbane, Queensland
Phone 800-558-8744

CANADA

Concord, Ontario Canada
Toll Free Phone 866-577-4484
Phone +1-905-660-6781

FRANCE

Aix en Provence, France
Phone +33(0)4-88-78-21-73

GMBH

Bochum, Germany
Phone +49 (0)234 298798-0

ITALY

Padua, Italy
Phone +39 3476073504

INDIA

Pune, India
Phone +91 9657516999

MEXICO

Phone +52 1 477-717-3108

MIDDLE EAST & AFRICA

Dubai, UAE
Phone +971-4-321-9712

CENTRAL & SOUTH AMERICA

Miami, FL USA
Phone +1 954-655-5727

RUSSIA

Moscow, Russia
Phone +7 903 7932331