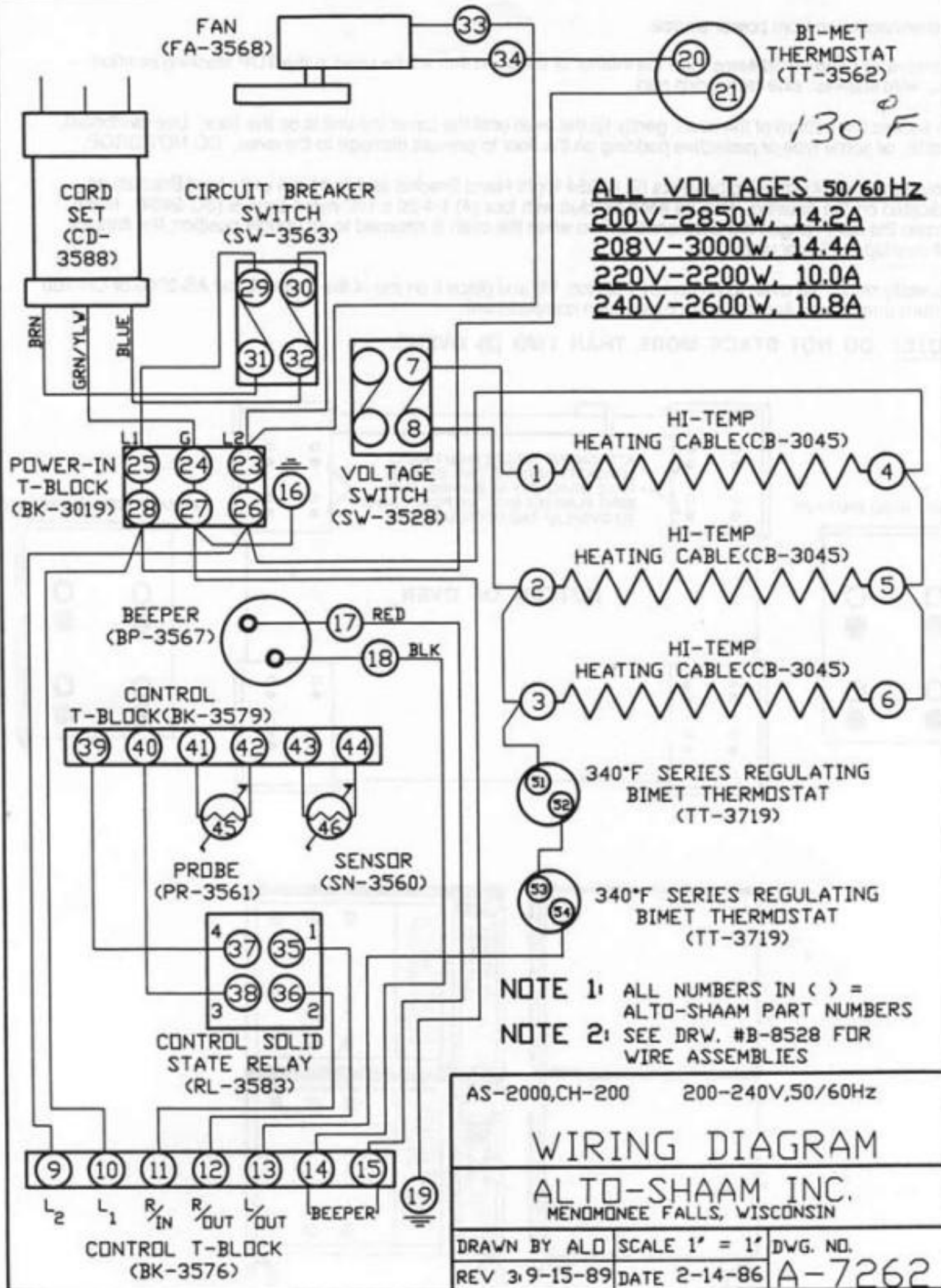


125V, 60Hz  
2100W, 16.8A

NOTE 1: ALL NUMBERS IN ( ) = ALTO-SHAAM PART NUMBERS  
NOTE 2: SEE DRW. #C-8561 FOR WIRE ASSEMBLIES

AS-2000,CH-200	125V,60Hz
<b>WIRING DIAGRAM</b>	
<b>ALTO-SHAAM INC.</b> MENOMONEE FALLS, WISCONSIN	
DRAWN BY ALD	SCALE 1" = 1"
REV 3-9-15-89	DATE 8-22-86
DWG. NO. <b>A-7276</b>	



**ALL VOLTAGES 50/60Hz**  
**200V-2850W, 14.2A**  
**208V-3000W, 14.4A**  
**220V-2200W, 10.0A**  
**240V-2600W, 10.8A**

**NOTE 1:** ALL NUMBERS IN ( ) = ALTO-SHAAM PART NUMBERS  
**NOTE 2:** SEE DRW. #B-8528 FOR WIRE ASSEMBLIES

AS-2000,CH-200		200-240V,50/60Hz
<b>WIRING DIAGRAM</b>		
<b>ALTO-SHAAM INC.</b> MENOMONEE FALLS, WISCONSIN		
DRAWN BY ALD	SCALE 1' = 1'	DWG. NO.
REV 3-9-15-89	DATE 2-14-86	<b>A-7262</b>