

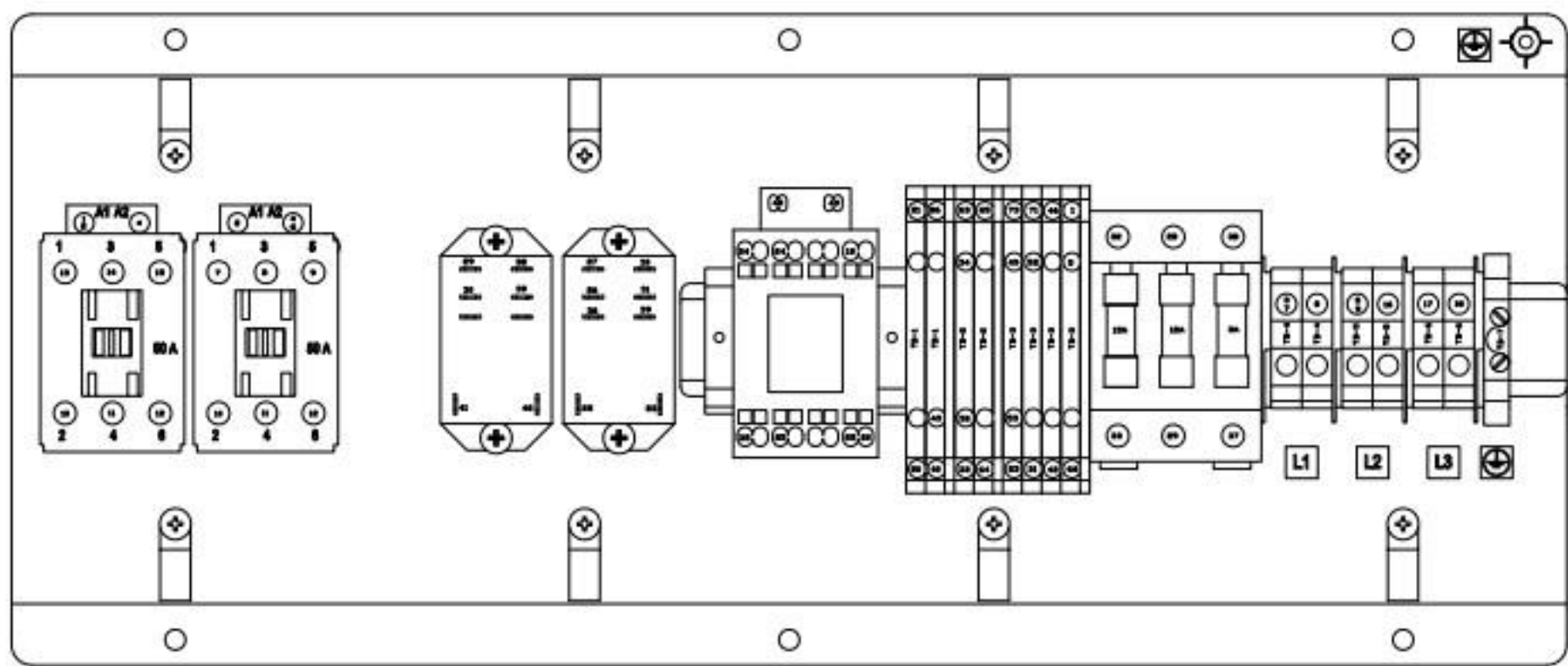
1	ECO	NOTIFIED FOR REV	4/07/16	NVD
0	ECO	REV. 001 (ORIGINAL FOR REVISED)	12/5/14	NVD
REV	ECO	DESCRIPTION	DATE	APP
ASC-4E MANUAL 440-480V 3PH				
ALTO-SHAAM		WIRING DIAGRAM		
BY: NVD DATE: 12/5/14		DWG: 77598	SHEET 2 OF 3	

A

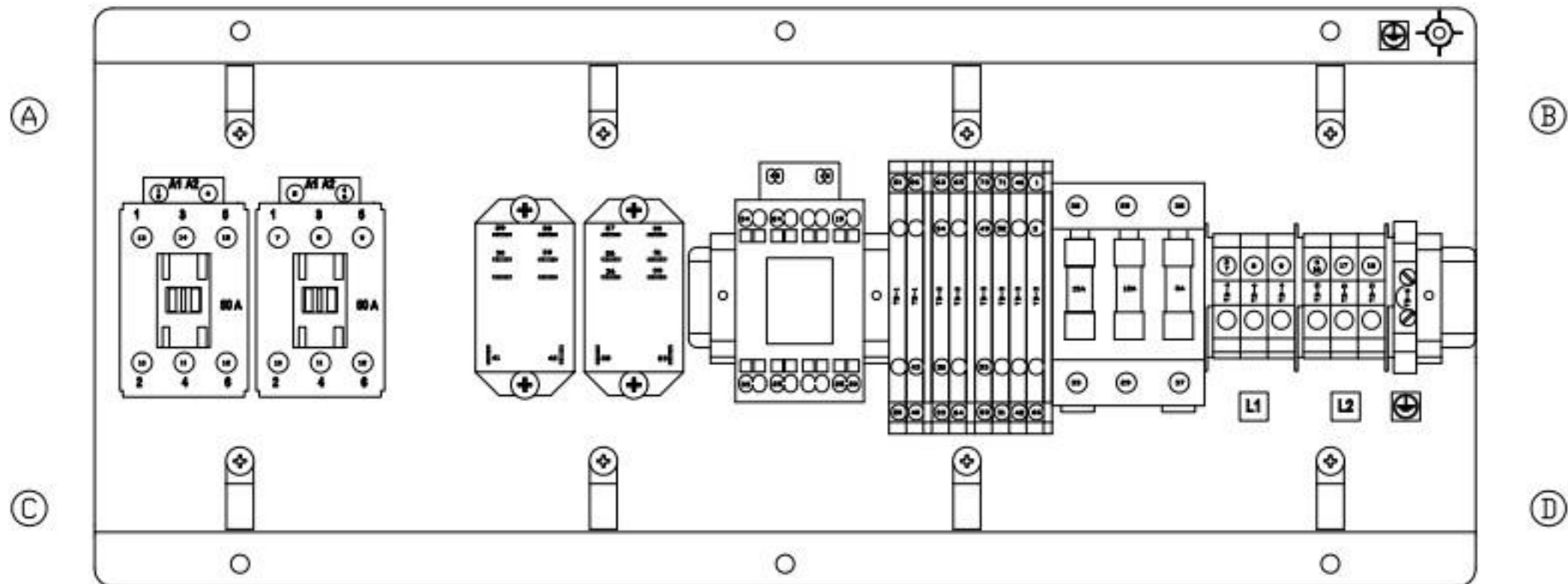
B

C

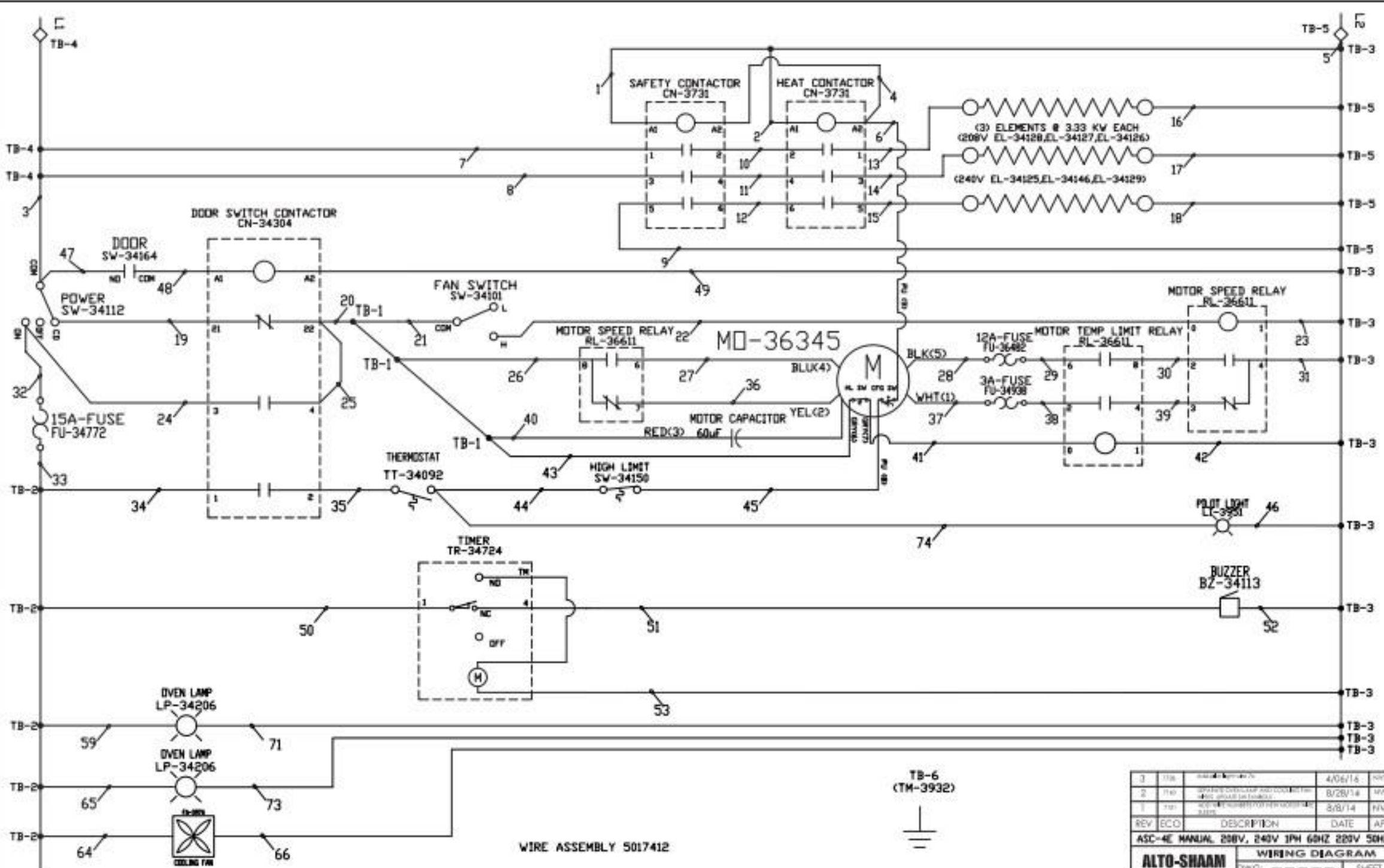
D



3	778	ADD REVISIONS	4/07/16	NVD
2	770	BRKAKE OVER LAMP AND LOCKING W/ APPL. LOCKER (SEE I/O S.S.)	8/28/14	NVD
1	772	ADD WIRE NUMBER FOR NEW POSITION 100V	8/8/14	NVD
REV	ECO	DESCRIPTION	DATE	APP
ASC-4E MANUAL 208-240V 3PH 60HZ				
ALTO-SHAAM		WIRING DIAGRAM		
DWG: 77567		SHEET		
BY: NVA DATE: 09/19/13		2_OF_2		

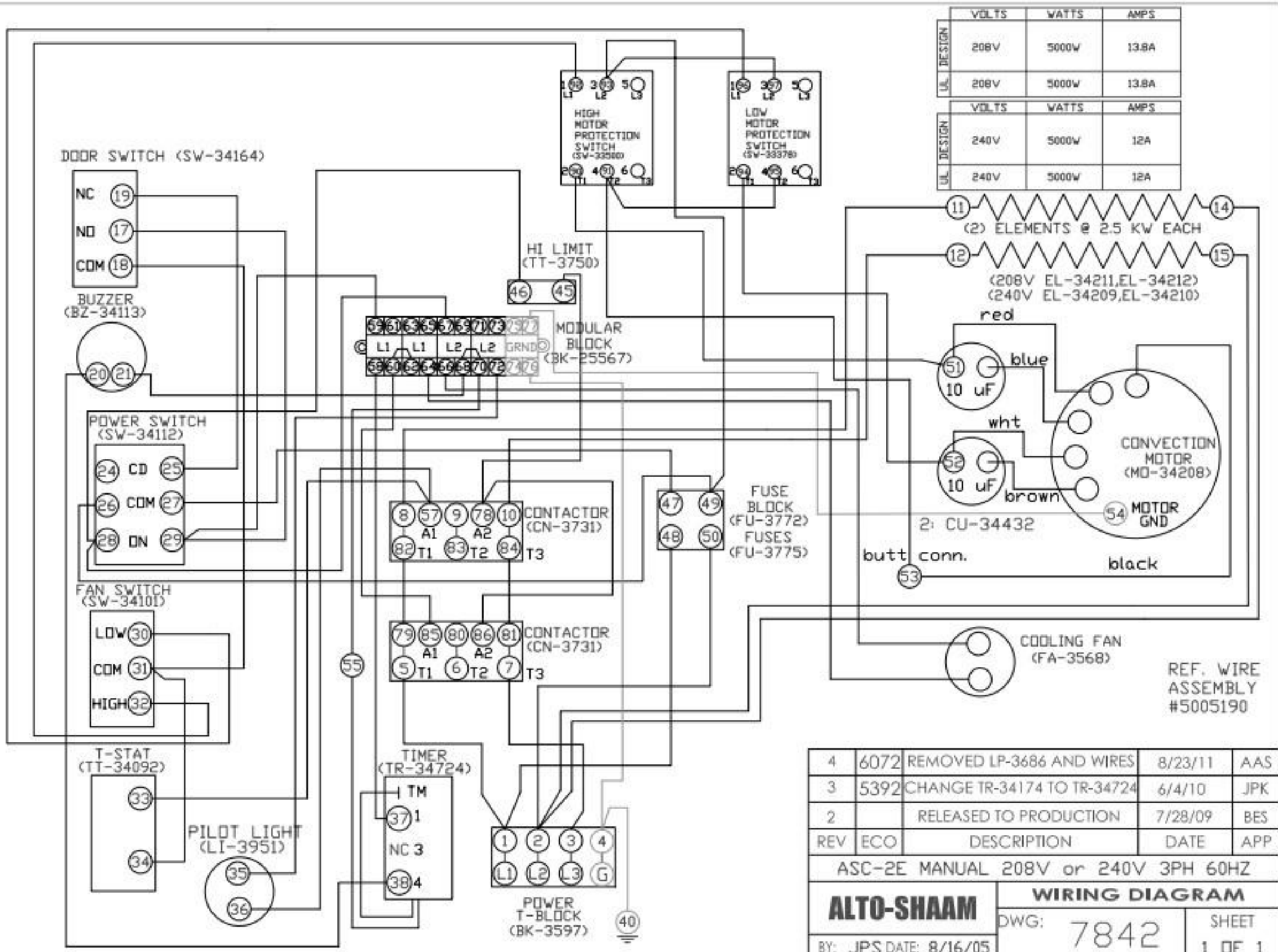


3	775	ADD NEW LIGHTS	4/06/14	NVD
2	774	REPLACE OVER CURRENT PROTECTION (REPLACE OVER CURRENT)	8/26/14	NVD
1	773	ADD NEW TERMINALS FOR NEW MOTOR (REPLACE)	8/26/14	NVD
REV	ECO	DESCRIPTION	DATE	APP
ASC-4E MANUAL 208V, 240V 1PH 60HZ 220V 50HZ				
ALTO-SHAAM		WIRING DIAGRAM		
BY: NVA DATE: 03/14/14		DWG: 77575	SHEET 2_OF_2	



WIRE ASSEMBLY 5017412

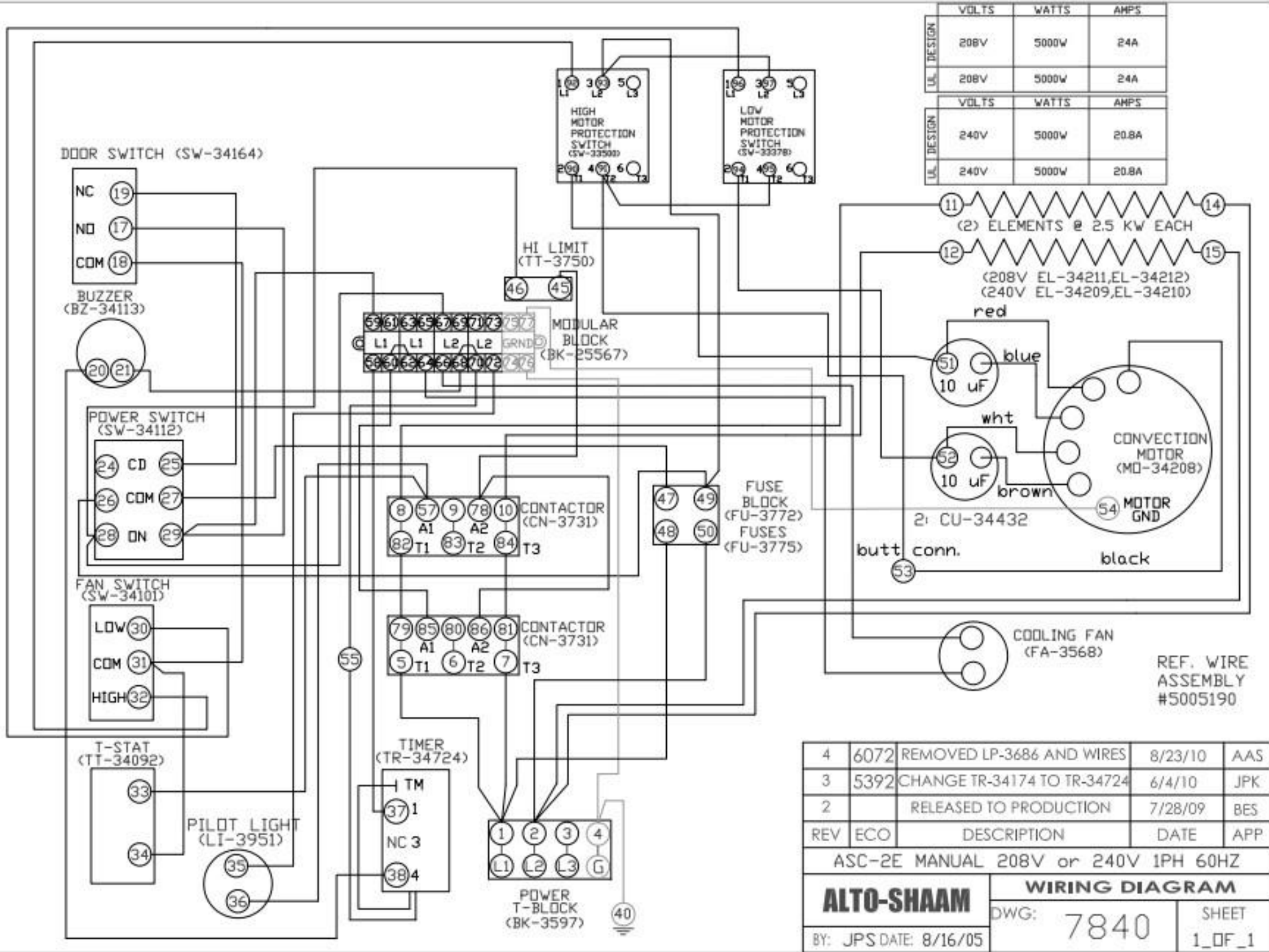
REV	ECO	DESCRIPTION	DATE	APP	
3	TRD	REVISED WIRING DIAGRAM	4/06/16	NVO	
2	TRD	REVISED WIRING DIAGRAM	8/28/14	NVO	
1	TRD	REVISED WIRING DIAGRAM	3/8/14	NVO	
REV		ECO	DESCRIPTION	DATE	APP
ASC-4E MANUAL, 200V, 240V 1PH 60HZ 200V 50HZ					
ALTO-SHAAM			WIRING DIAGRAM		
DWG: 77575			SHEET		
BY: NVADAE: 02/14/14			1_OF_2		



UL DESIGN	VOLTS	WATTS	AMPS
208V	5000W	13.8A	
208V	5000W	13.8A	
UL DESIGN	VOLTS	WATTS	AMPS
240V	5000W	12A	
240V	5000W	12A	

REV	ECO	DESCRIPTION	DATE	APP
4	6072	REMOVED LP-3686 AND WIRES	8/23/11	AAS
3	5392	CHANGE TR-34174 TO TR-34724	6/4/10	JPK
2		RELEASED TO PRODUCTION	7/28/09	BES

ASC-2E MANUAL 208V or 240V 3PH 60HZ				
ALTO-SHAAM		WIRING DIAGRAM		
BY: JPS DATE: 8/16/05		DWG: 7842	SHEET 1_OF_1	



UL DESIGN	VOLTS	WATTS	AMPS
	208V	5000W	24A
	208V	5000W	24A
UL DESIGN	VOLTS	WATTS	AMPS
	240V	5000W	20.8A
	240V	5000W	20.8A

REF. WIRE ASSEMBLY #5005190

REV	ECO	DESCRIPTION	DATE	APP
4	6072	REMOVED LP-3686 AND WIRES	8/23/10	AAS
3	5392	CHANGE TR-34174 TO TR-34724	6/4/10	JPK
2		RELEASED TO PRODUCTION	7/28/09	BES

ASC-2E MANUAL 208V or 240V 1PH 60HZ

ALTO-SHAAM **WIRING DIAGRAM**

BY: JPS DATE: 8/16/05 DWG: 7840 SHEET 1_OF_1