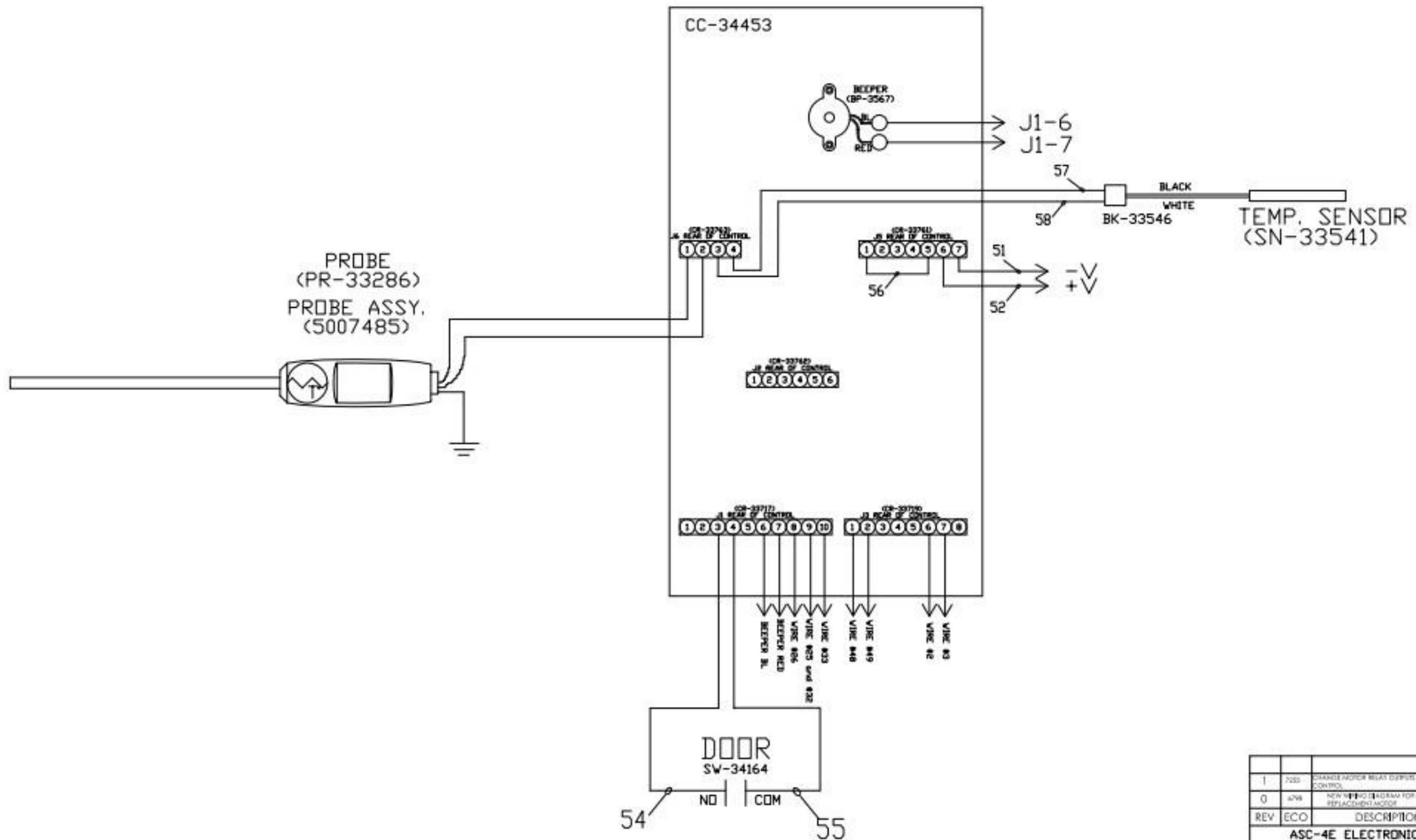


REV	ECO	DESCRIPTION	DATE	APP
1	7544	CHANGE MOTOR RELAY OUTPUT DRIVE CONTROL	12/17/14	NVD
0	6795	NEW WIRING DIAGRAM FOR HAWKING REPLACEMENT MOTOR	12/5/14	NVD

ASC-4E ELECTRONIC 440-480V 3PH

ALTO-SHAAM WIRING DIAGRAM

BY: NVD DATE: 12/5/14 DWG: 77599 SHEET 3_OF_3



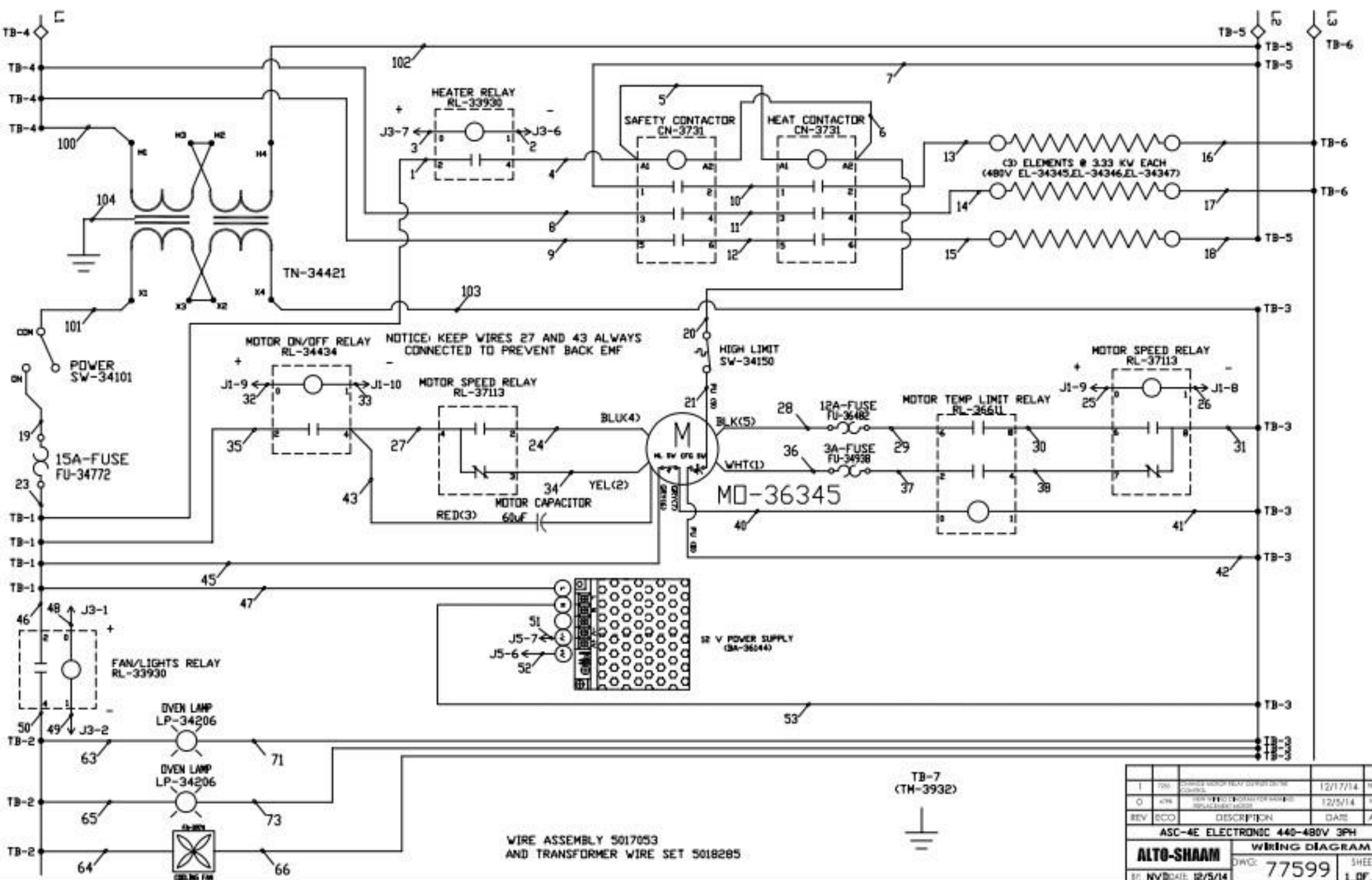
REV	ECO	DESCRIPTION	DATE	APP
1	225	CHANGE MOTOR RELAY DEFERS ON THE CONTROL	12/17/14	NVD
0	478	NEW WIRING DIAGRAM FOR HANNING REPLACEMENT MODE	12/5/14	NVD

ASC-4E ELECTRONIC 440-480V 3PH

ALTO-SHAAM WIRING DIAGRAM

DWG: 77599 SHEET 2_OF_3

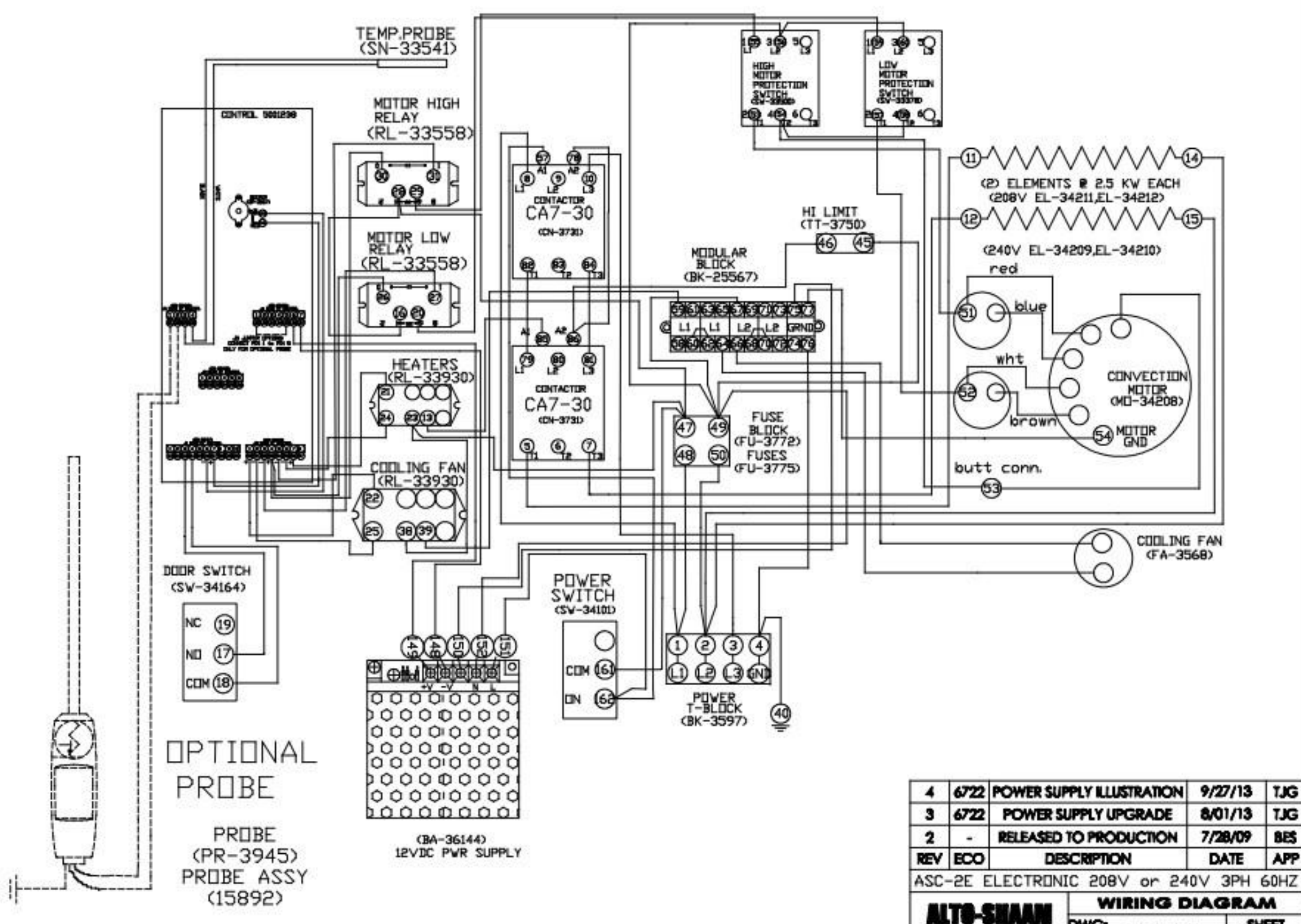
BY: NV DATE: 12/5/14



NOTICE: KEEP WIRES 27 AND 43 ALWAYS CONNECTED TO PREVENT BACK EMF

WIRE ASSEMBLY 5017053
AND TRANSFORMER WIRE SET 5018285

REV	BY	DATE	APP
1	TH	12/17/14	THD
0	TH	12/5/14	THD
REV	ECO	DESCRIPTION	DATE
ASC-4E ELECTRONIC 440-480V 3PH			
ALTO-SHAAM		WIRING DIAGRAM	
DWG: 77599		SHEET	
BY: NV DATE: 12/5/14		L OF 3	

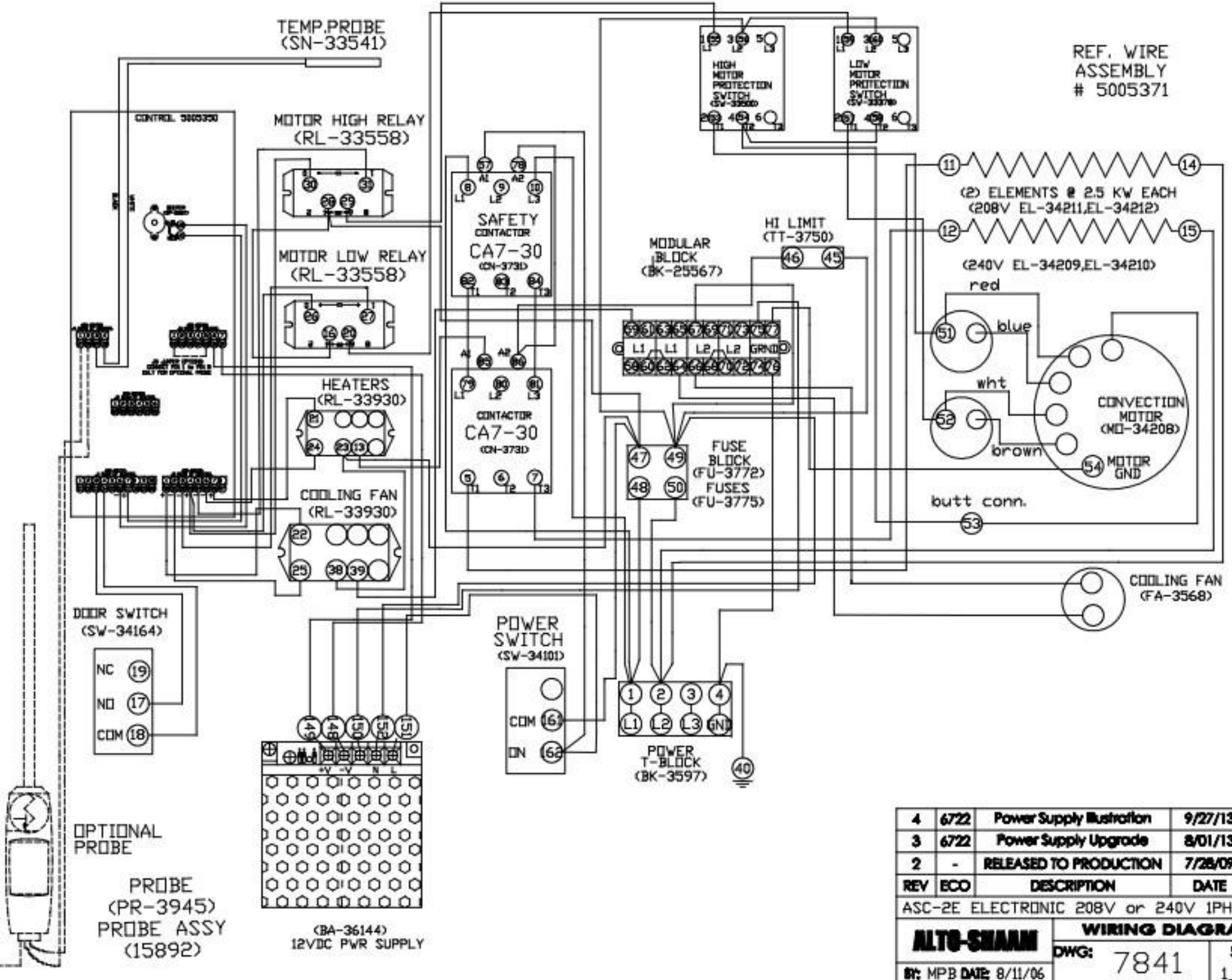


WIRE ASSEMBLY # 5005371

REV	ECO	DESCRIPTION	DATE	APP
4	6722	POWER SUPPLY ILLUSTRATION	9/27/13	TJG
3	6722	POWER SUPPLY UPGRADE	8/01/13	TJG
2	-	RELEASED TO PRODUCTION	7/28/09	BES
1	-	ASSEMBLED	-	-

ASC-2E ELECTRONIC 208V or 240V 3PH 60HZ	
ALTO-SHAAN	WIRING DIAGRAM
	DWG: 7843
BY: MPB DATE: 1/25/08	SHEET 1_OF_1

REF. WIRE ASSEMBLY # 5005371



4	6722	Power Supply Illustration	9/27/13	TJG
3	6722	Power Supply Upgrade	8/01/13	TJG
2	-	RELEASED TO PRODUCTION	7/28/09	BES
REV	ECO	DESCRIPTION	DATE	APP
ASC-2E ELECTRONIC 208V or 240V 1PH 60HZ				
ALTO-SHAM		WIRING DIAGRAM		
DWG: 7841		SHEET 1_OF_1		
BY: MPB DATE: 8/11/06				