

NOTE: SEPARATE THE HIGH VOLTAGE LINES FROM THE LOW VOLTAGE LINES ON PLUG J3 OF THE RELAY BOARD

BA-34563 (Relay board + harness)

LIFT OPTION - SEE WIRE ASSEMBLY 5009308

LEFT LIFT MOTOR MD-2701
RIGHT LIFT MOTOR MD-2701

REMOTE BOARD BA-34440

CONTROL BOARD BA-34439

NOTE: CONNECT WIRE HARNESS FROM P1 (CONTROL PANEL) TO J5 (RELAY BOARD)

PUMP SWITCH SW-34240

HI-LIMIT SWITCH TT-34245

ON/OFF SWITCH SW-34254

RESET SWITCH (SV-33495)

LI-3951

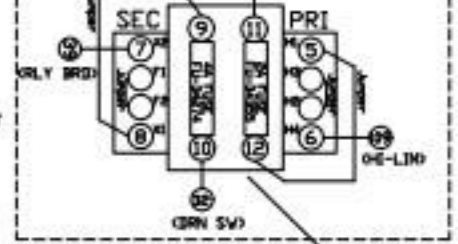
FILTRATION OPTION

TEMP PROBE ASSEMBLY #5005200

DRAIN SWITCH SW-34246

LIFT OPTION TRANSFORMER WIRING

Uses various "jumpers" are supplied with the transformer.

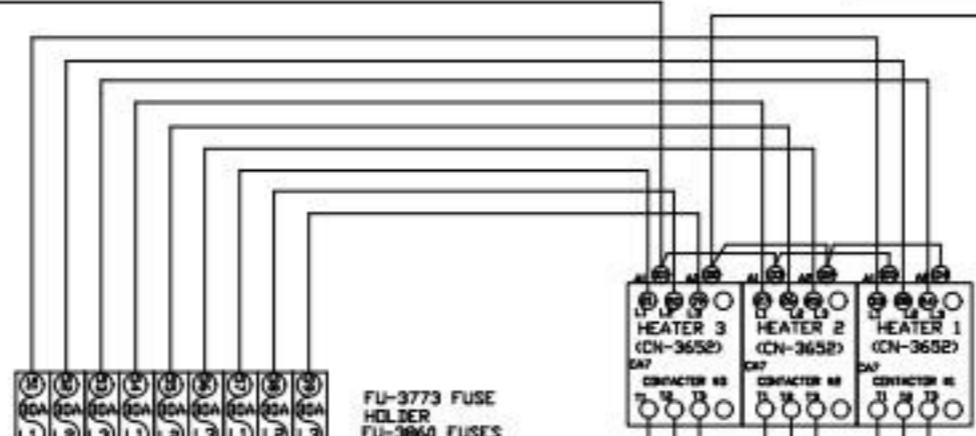


240V/24V 50VA TRANSFORMER TN-34402

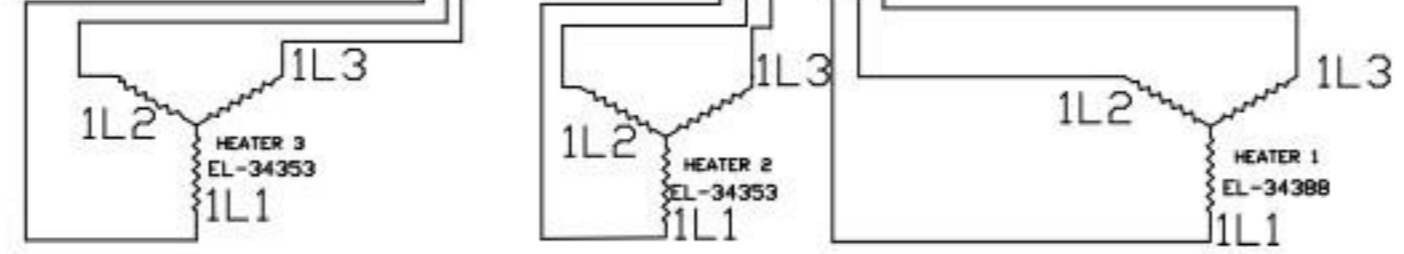
240V/24V 150VA TRANSFORMER TN-34272



| | VOLTS | WATTS | AMPS |
|-----------|-------|--------|-------|
| UL DESIGN | 240V | 25.5KW | 61.5A |
| UL | 240V | 27.8KW | 66.8A |



NOTE: HEATER ELEMENTS ARE CONNECTED IN DELTA CONFIGURATION. USE THE DIAGRAM ABOVE TO CONNECT THE ELEMENTS TO THE HEATER CONTACTORS.

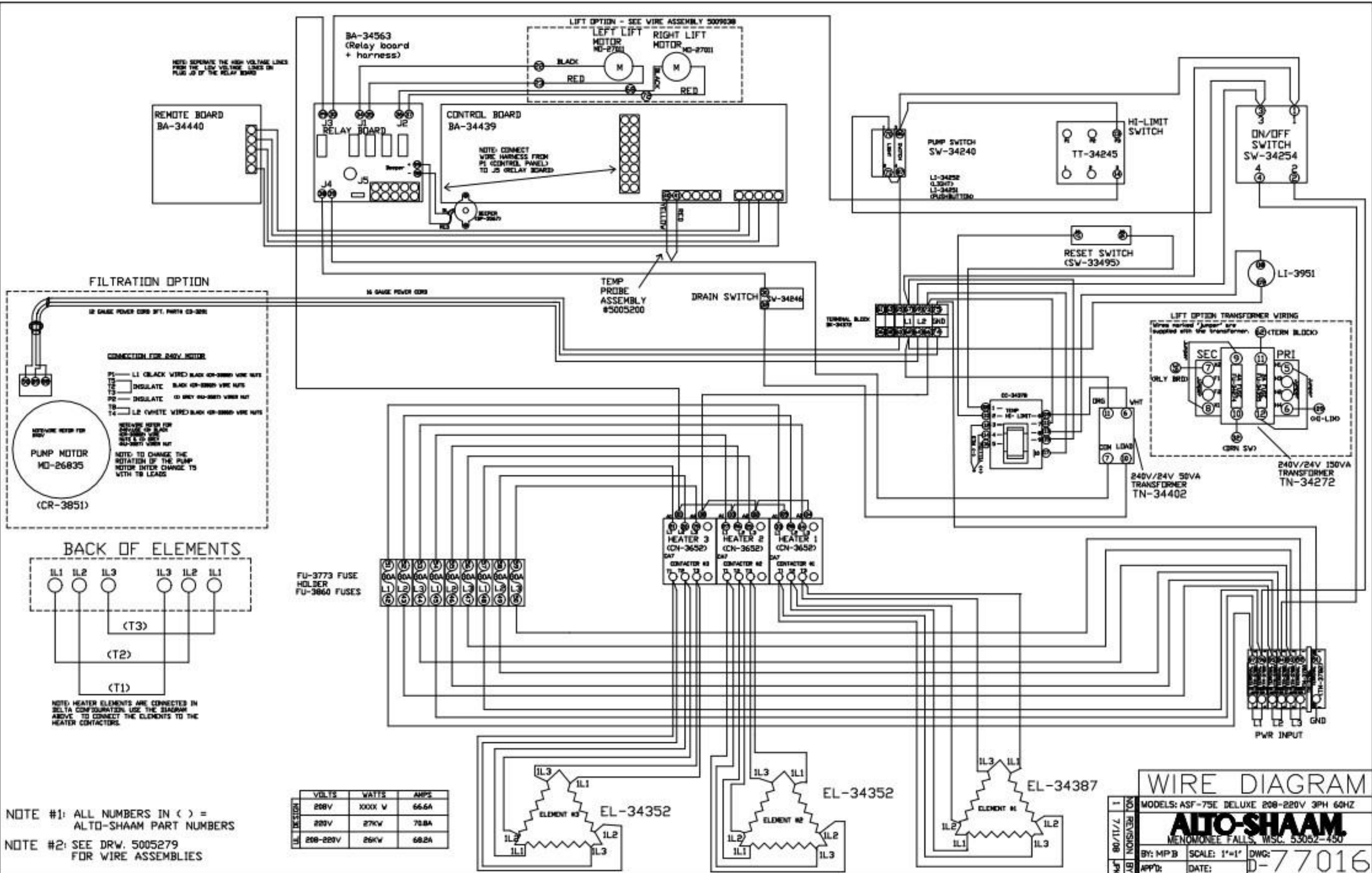


NOTE #1: ALL NUMBERS IN () = ALTD-SHAAM PART NUMBERS

NOTE #2: SEE DRW. 5006937 FOR WIRE ASSEMBLIES

WIRE DIAGRAM

| | | |
|--------------|---------|---|
| NO. REVISION | 1 | MODELS: ASF-75E DELUXE 240V 3PH 60HZ |
| DATE | 7/13/08 | ALTO-SHAAM MEMORONEE FALLS, WISC. 53052-450 |
| BY | MPB | SCALE: 1"=1' DWG: D-77017 |
| APP'D: | DATE: | |



NOTE #1: ALL NUMBERS IN () = ALTO-SHAAM PART NUMBERS

NOTE #2: SEE DRW. 5005279 FOR WIRE ASSEMBLIES

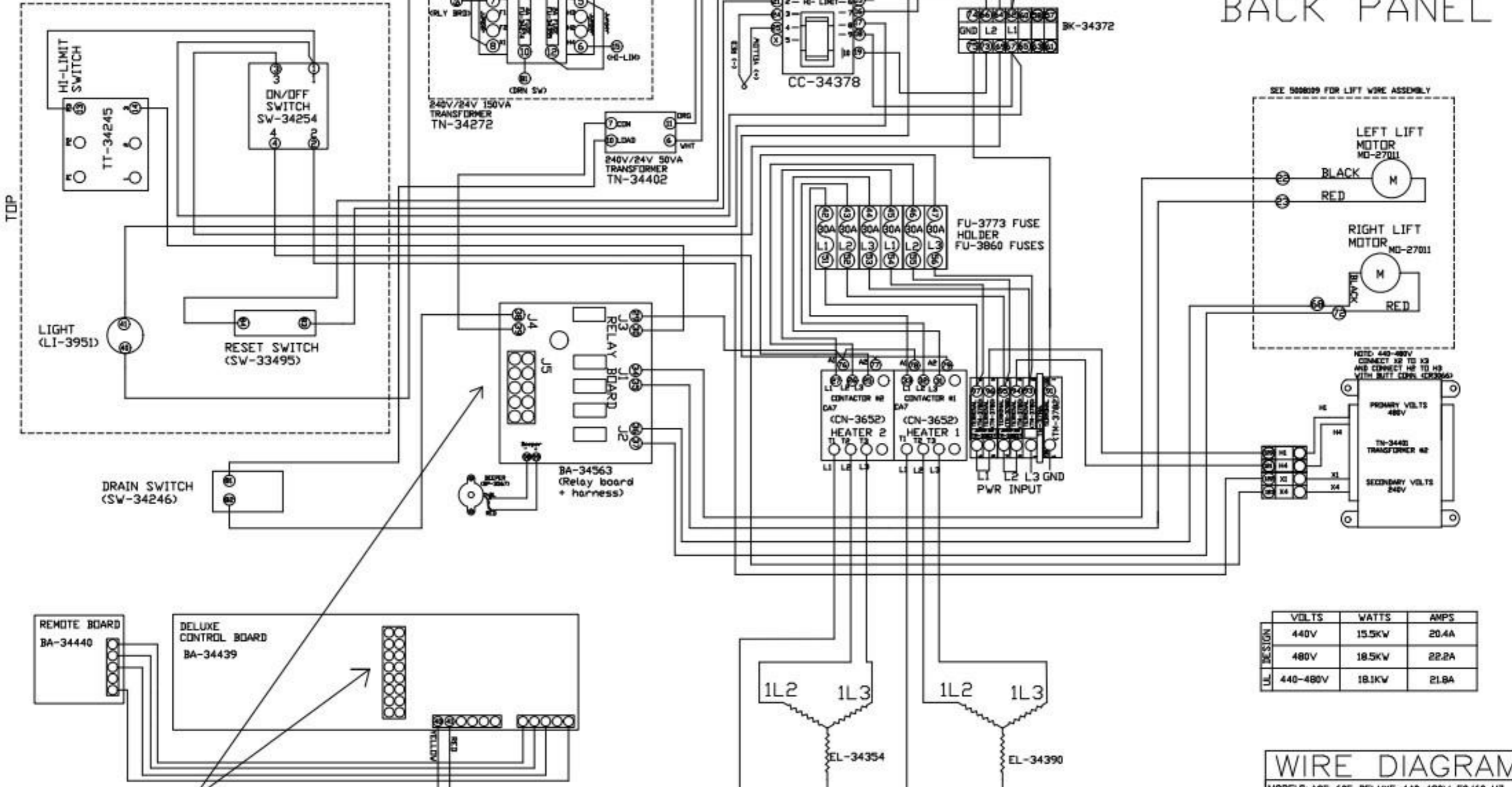
| VOLTS | WATTS | AMPS |
|----------|--------|-------|
| 208V | XXXX W | 66.6A |
| 220V | 27KW | 73.8A |
| 208-220V | 26KW | 68.2A |

| | |
|--------------|---------|
| NO. REVISION | 1 |
| DATE | 7/11/08 |
| BY | MP/B |
| APP'D: | DATE: |

FRONT PANEL

BOTTOM PANEL

BACK PANEL



NOTE: CONNECT WIRE HARNESS P1 (CONTROL PANEL) TO J5 (RELAY BOARD)

TEMP PROBE ASSEMBLY #5005200

NOTE #1: ALL NUMBERS IN () = ALTO-SHAAM PART NUMBERS
 NOTE #2: SEE DRW. 5008118 FOR WIRE ASSEMBLIES

REV A JPK 5/28/08 CORRECTED W/ LIFTS AND W/O LIFTS

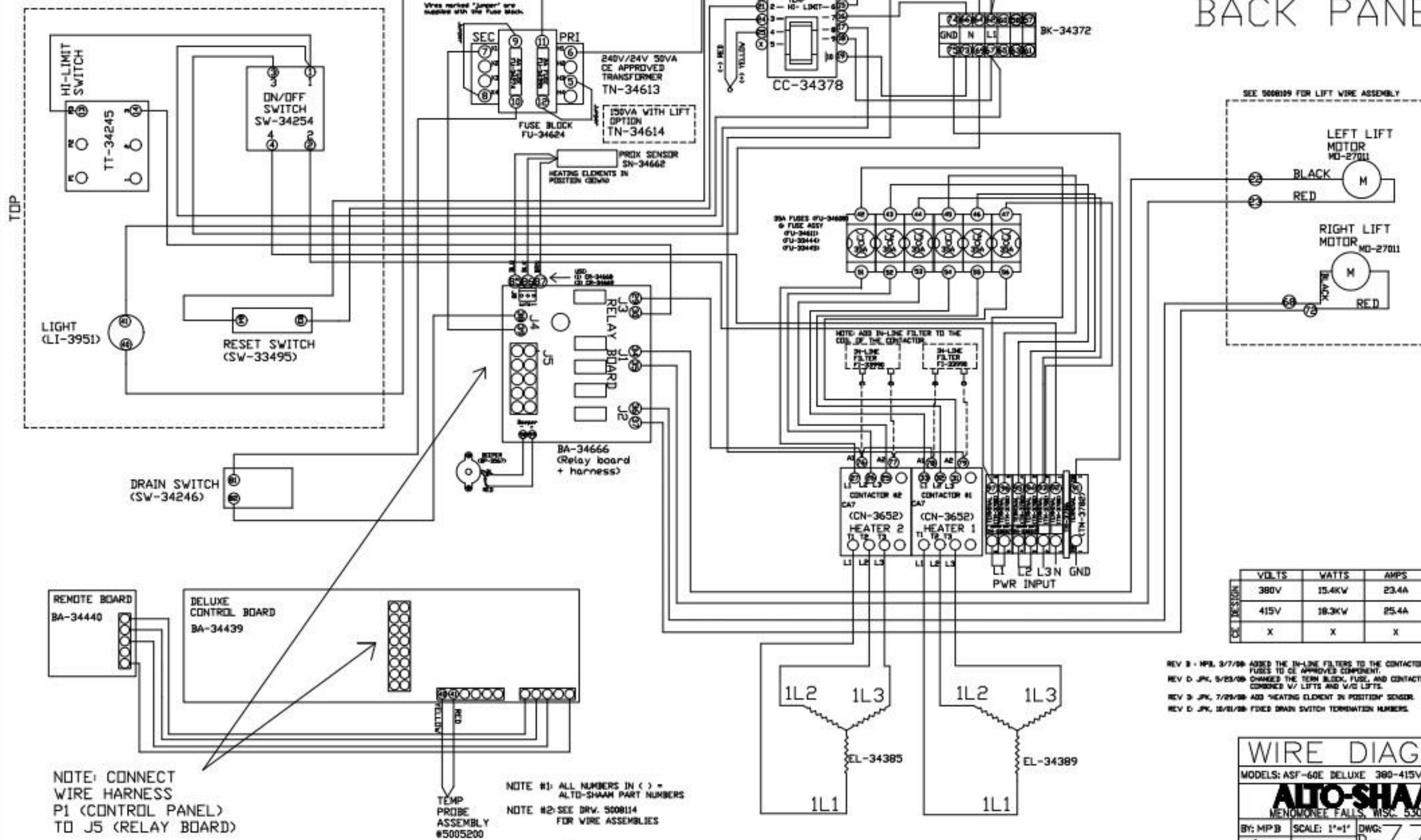
| | VOLTS | WATTS | AMPS |
|-----------|----------|--------|-------|
| UL DESIGN | 440V | 15.5KW | 20.4A |
| | 480V | 18.5KW | 22.2A |
| UL | 440-480V | 18.1KW | 21.8A |

WIRE DIAGRAM
 MODELS: ASF-60E DELUXE 440-480V 50/60 HZ
ALTO-SHAAM
 MENOMONEE FALLS, WIS. 53052-450
 BY: MPB SCALE: 1"=1' DWG: D-77114
 APPD: DATE: 11/27/07

BOTTOM PANEL

FRONT PANEL

BACK PANEL



WIRE DIAGRAM

MODELS: ASF-60E DELUXE 380-415V 3PH 50HZ

ALTO-SHAAM
MENOMONEE FALLS, WISC. 53052-450

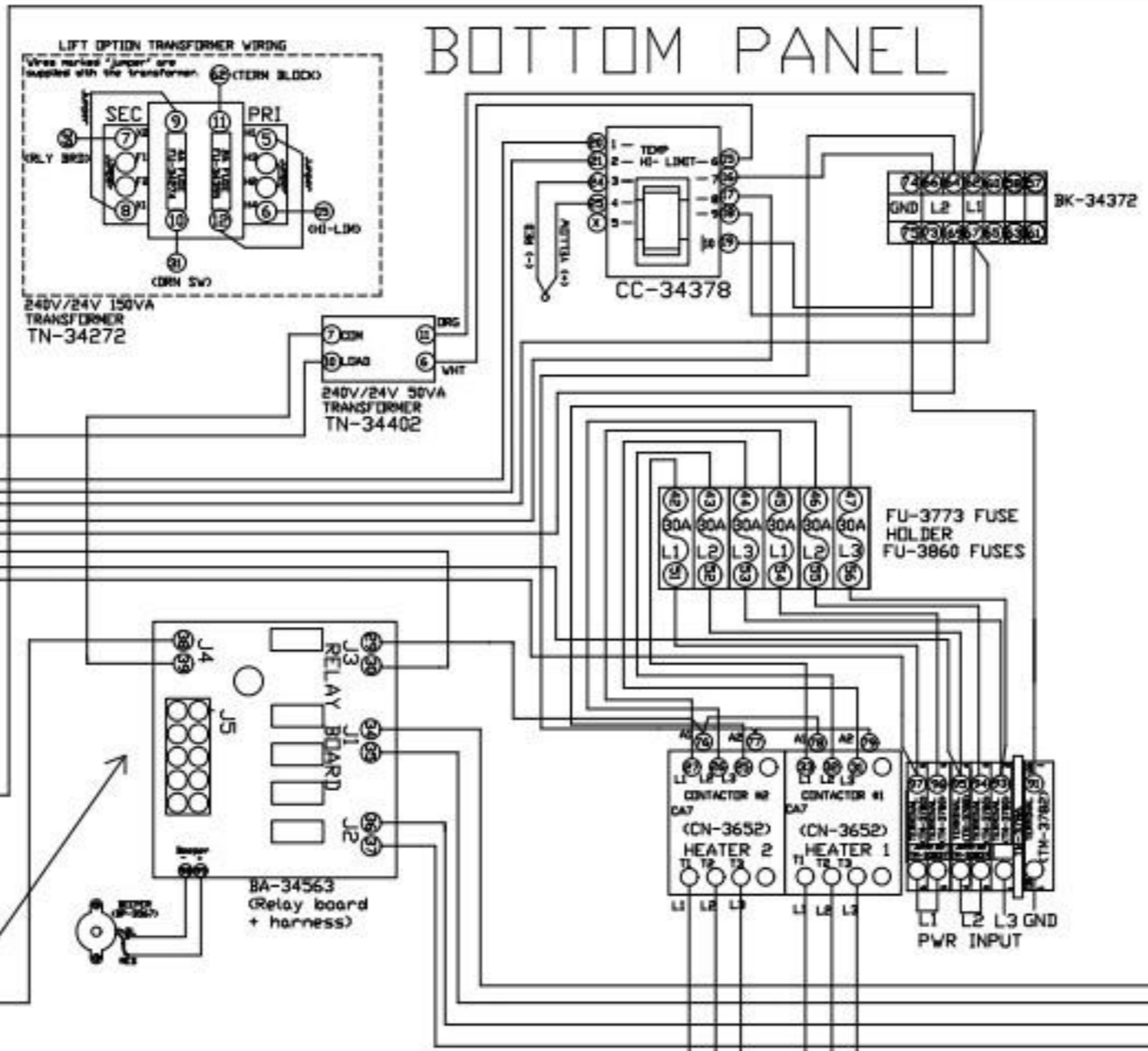
BY: MPB SCALE: 1"=1' DWG: D-77110
APP'D: DATE: 3/7/08

FRONT PANEL

BOTTOM PANEL

BACK PANEL

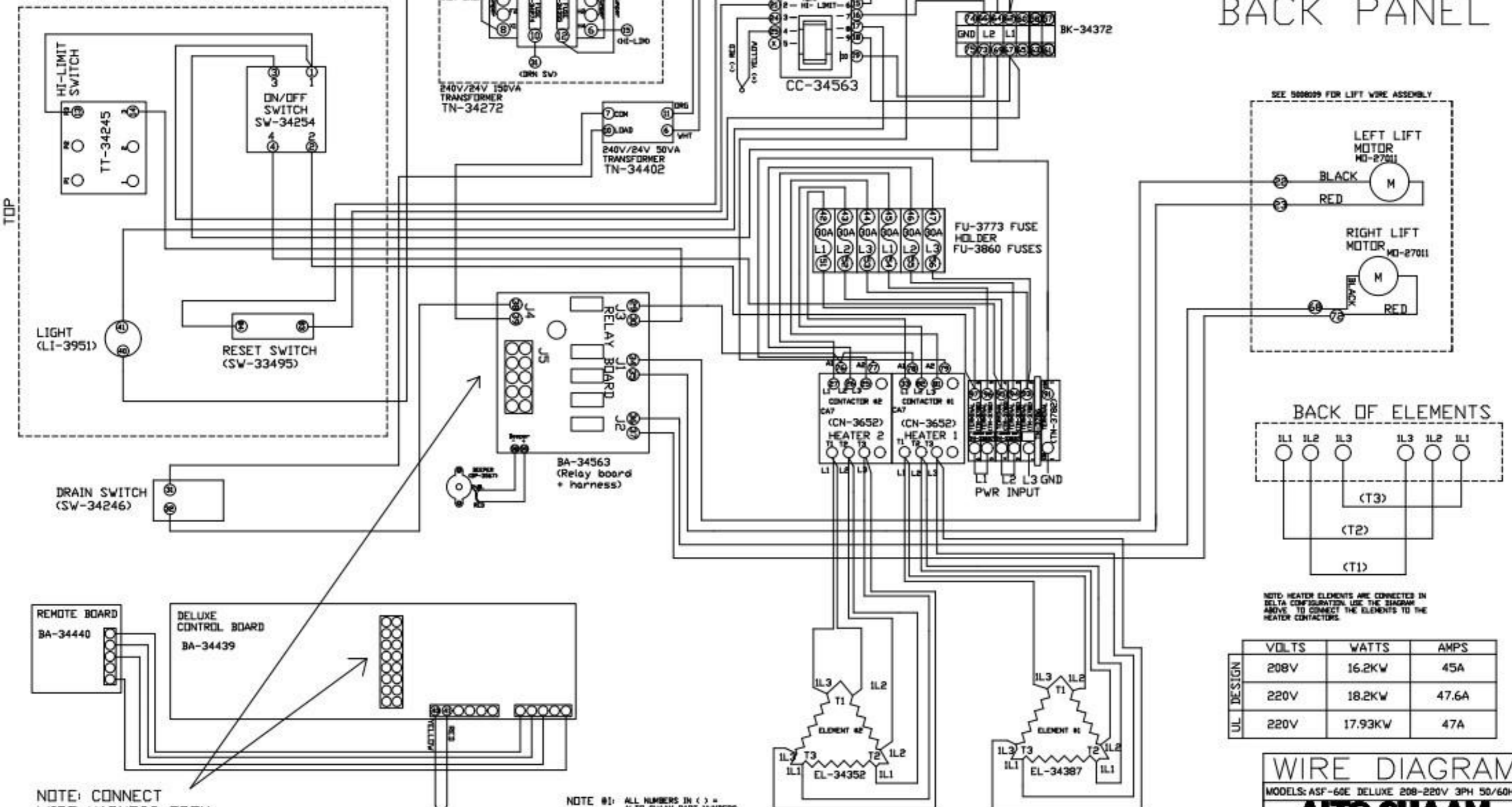
TDP



FRONT PANEL

BOTTOM PANEL

BACK PANEL



NOTE: CONNECT WIRE HARNESS FROM P1 (CONTROL PANEL) TO J5 (RELAY BOARD)

NOTE #1: ALL NUMBERS IN () = ALTO-SHAAM PART NUMBERS
 NOTE #2: SEE 5008100 FOR WIRE ASSEMBLY

REV B JPK 3/28/08 CHANGES W/O LIFT & W/ LIFT INTO ONE DRAWING

SEE 5008100 FOR LIFT WIRE ASSEMBLY

NOTE: HEATER ELEMENTS ARE CONNECTED IN DELTA CONFIGURATION. USE THE DIAGRAM ABOVE TO CONNECT THE ELEMENTS TO THE HEATER CONTACTORS.

| | VOLTS | WATTS | AMPS |
|--------|-------|---------|-------|
| DESIGN | 208V | 16.2KW | 45A |
| | 220V | 18.2KW | 47.6A |
| UL | 220V | 17.93KW | 47A |

WIRE DIAGRAM
 MODELS: ASF-60E DELUXE 208-220V 3PH 50/60HZ
ALTO-SHAAM
 MENOMONEE FALLS, WIS. 53052-450
 BY: MP/B SCALE: 1"=1' DWG: D-77102
 APP'D: DATE: 10/3/07