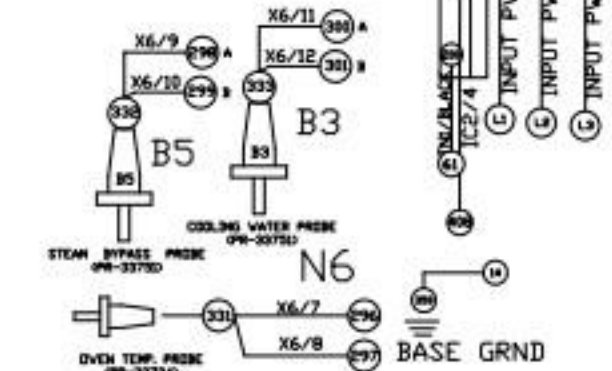
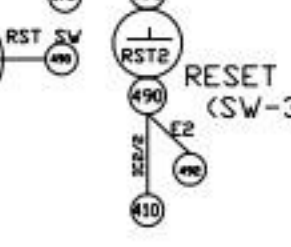
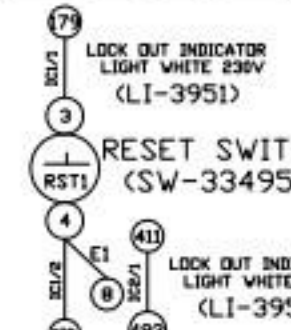
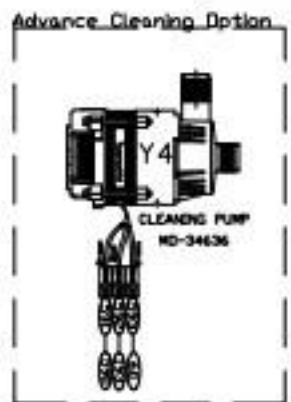
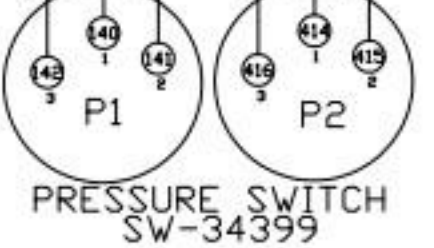
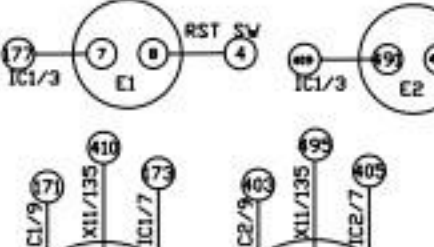
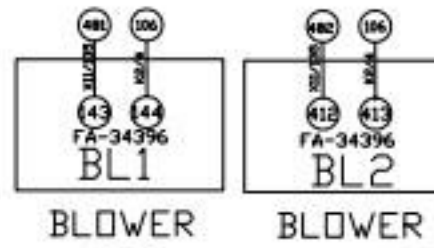
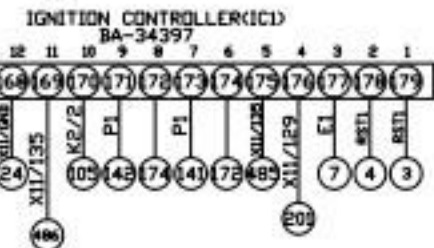
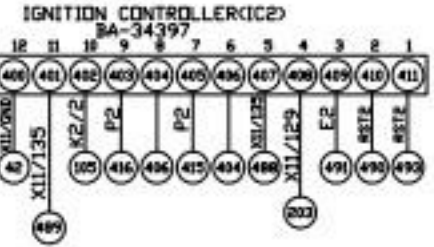


CONNECTOR Gas Valve  
 1 TM-34463 VA-34398  
 TERMINAL  
 12 TM-34464

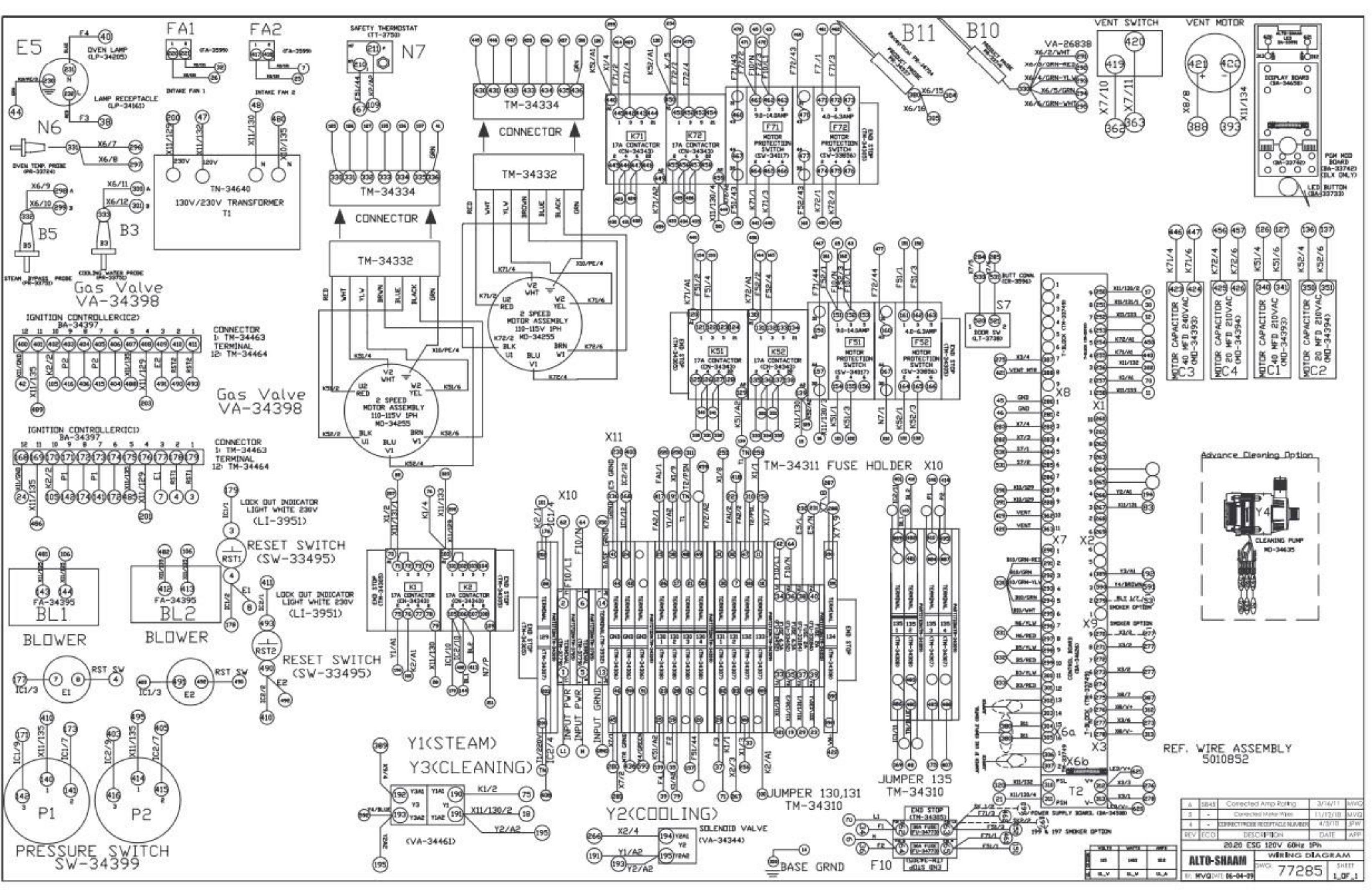


REF. WIRE ASSEMBLY  
 5010961

1	CORRECT FROM REVISION NUMBER	DATE	BY
2	ISSUED TO PRODUCTION	DATE	BY
3	NEW WIRE DIAGRAM	DATE	BY
4	REVISION	DATE	BY

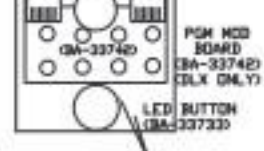
DATE	SCALE	REV.
0225 E5q	208-240V 60Hz 3PH	
WIRING DIAGRAM		
DWG: 77299	SHEET	1 OF 1



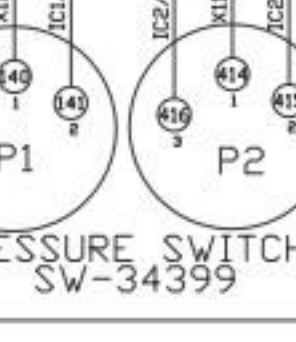
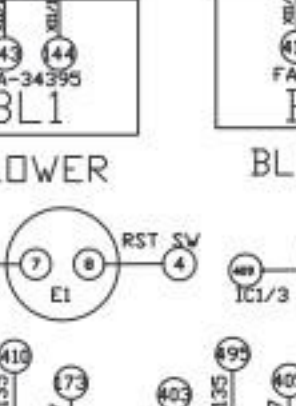
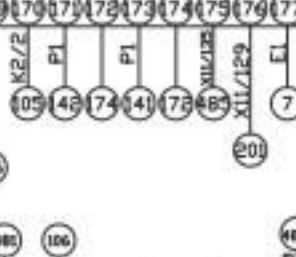
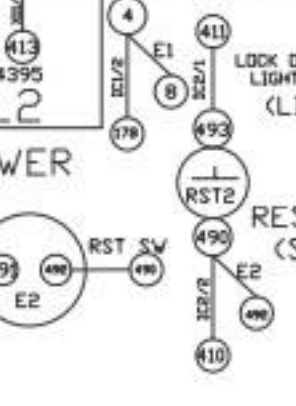
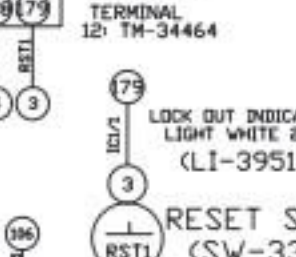
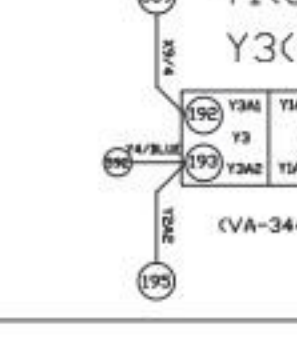
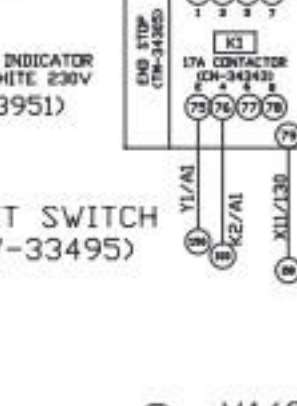
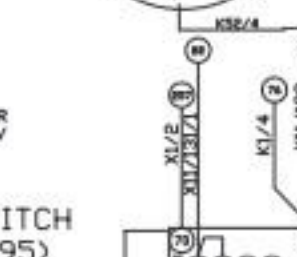
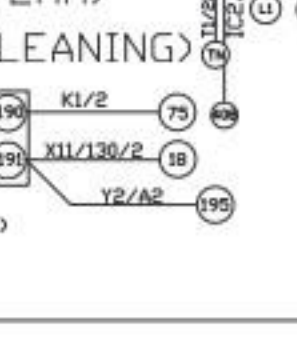
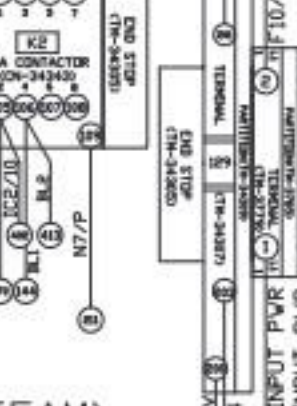
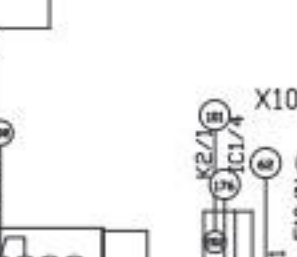
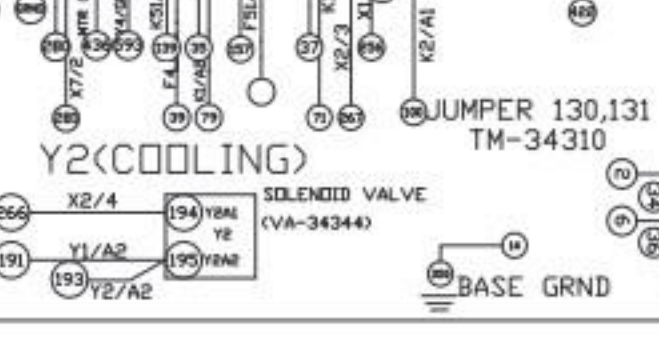
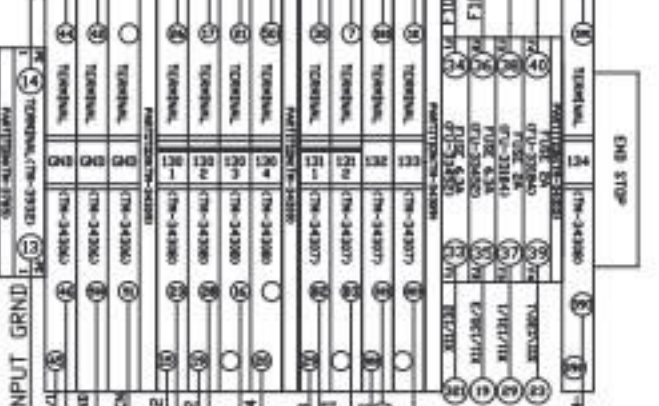
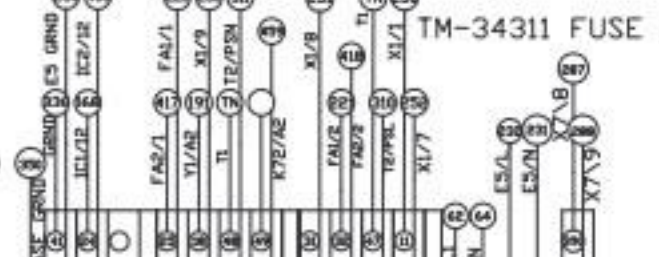
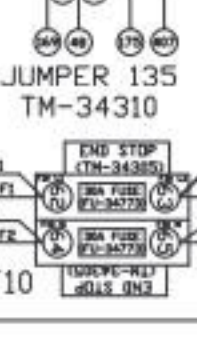
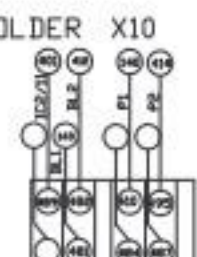
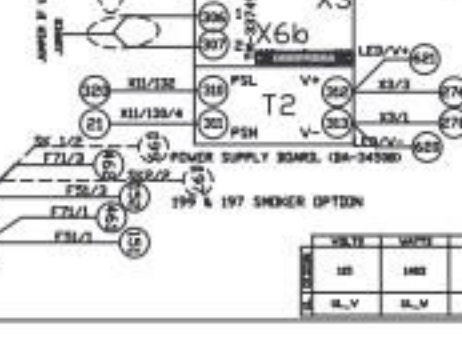
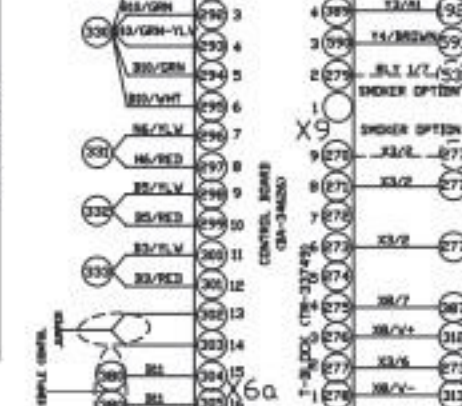
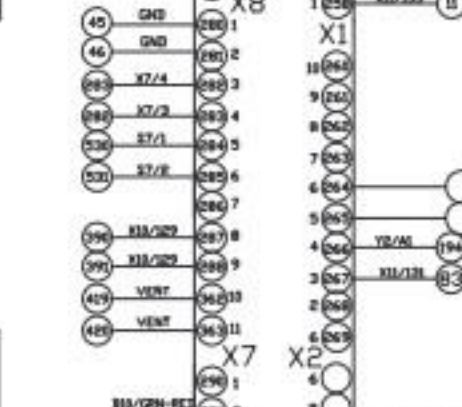
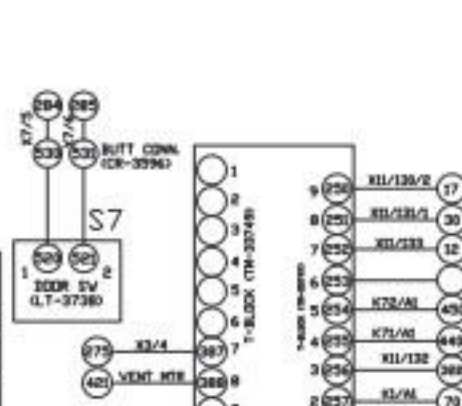
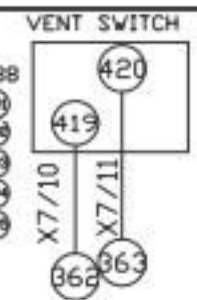
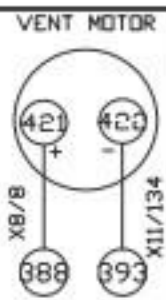
REV	ECO	DESCRIPTION	DATE	APP
4	5845	Corrected Amp Rating	3/16/11	MVG
3	-	Corrected Motor Wire	11/12/10	MVG
4	-	CORRECTED RECEPTACLE NUMBER	4/3/10	JPW
2020 ESG 120V 60Hz 1Ph				
<b>ALTO-SHAAM</b>				
WIRING DIAGRAM				
DWG: 77285				
REV. MVG/DTE 06-04-09				

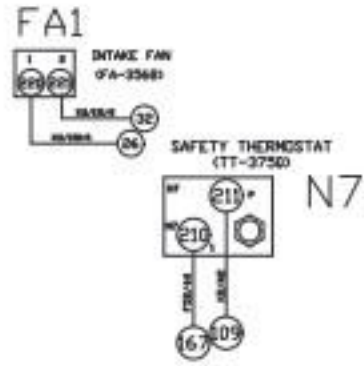
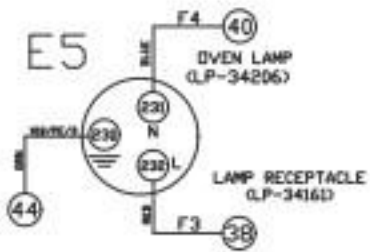


REF. WIRE ASSEMBLY 5010852

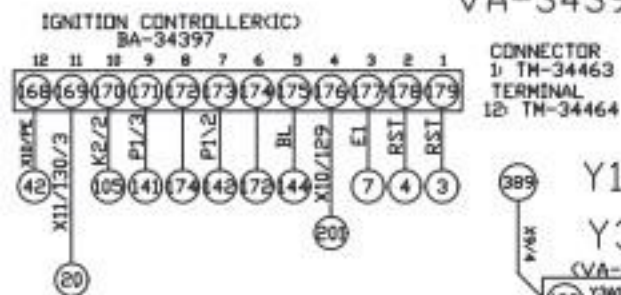
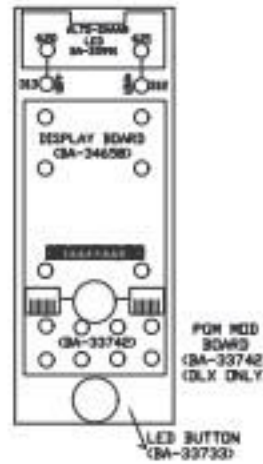
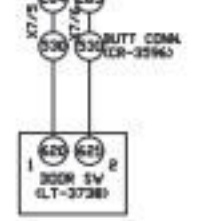
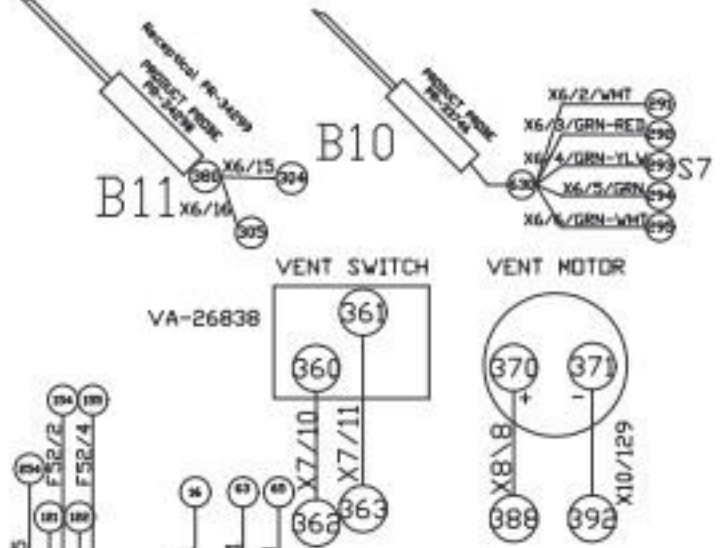
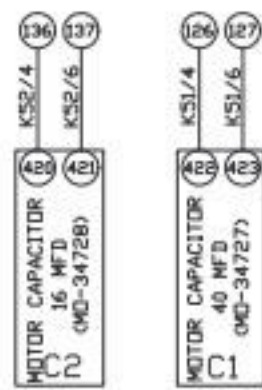
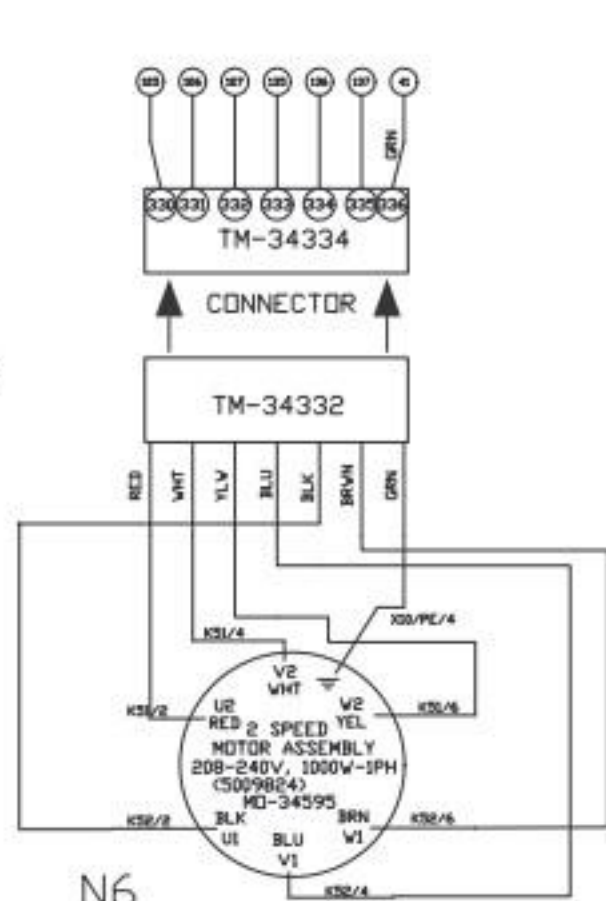


- MOTOR CAPACITOR C3 40 MFD 240VAC (MD-34393)
- MOTOR CAPACITOR C4 20 MFD 210VAC (MD-34394)
- MOTOR CAPACITOR C1 40 MFD 210VAC (MD-34393)
- MOTOR CAPACITOR C2 20 MFD 210VAC (MD-34394)

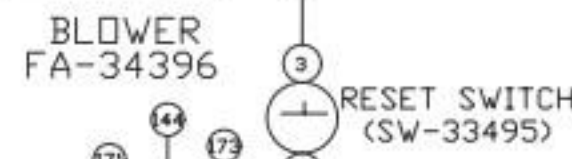
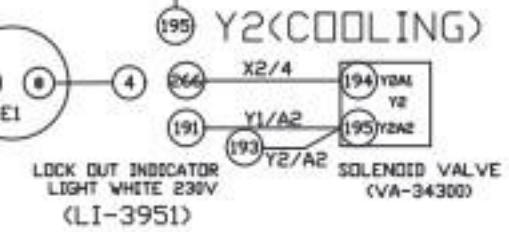
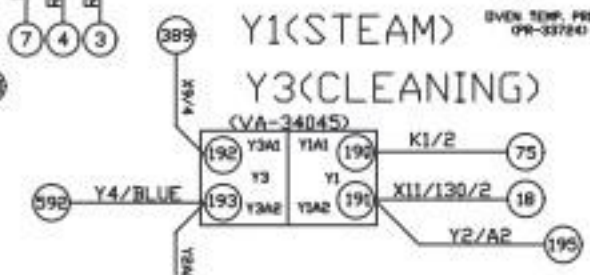
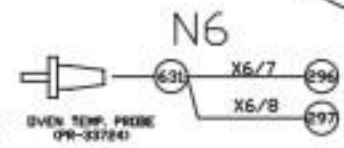




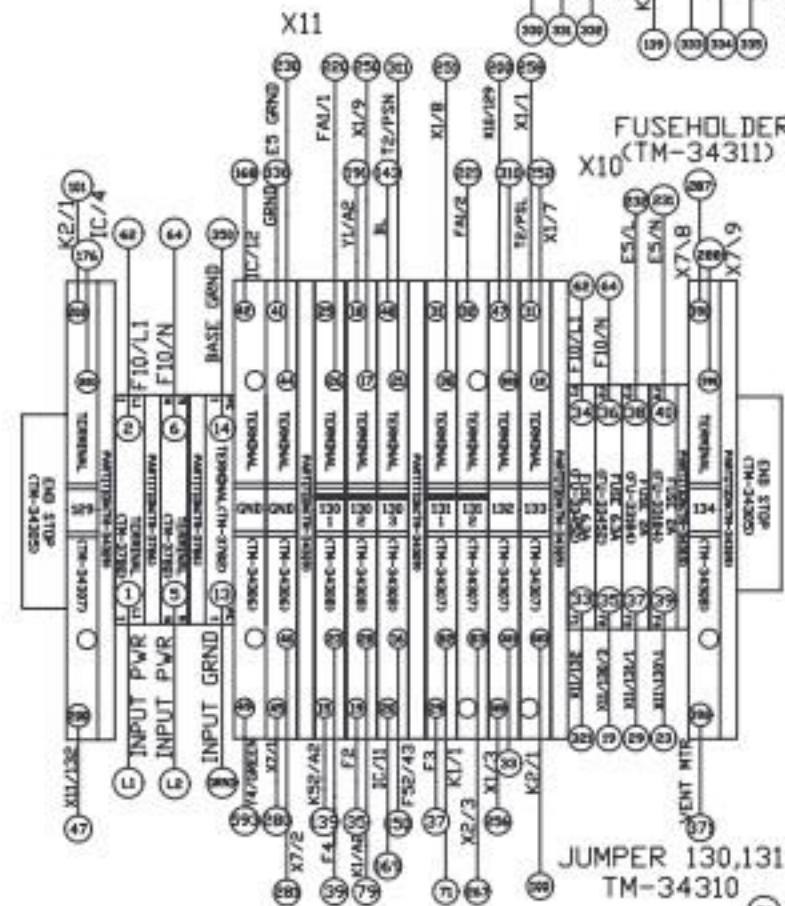
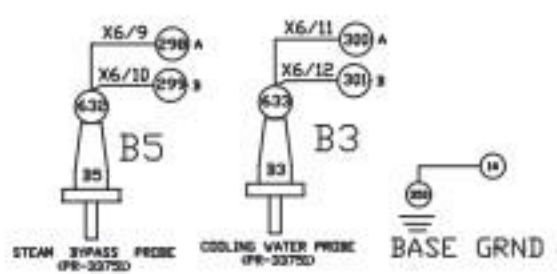
Gas Valve  
VA-34398



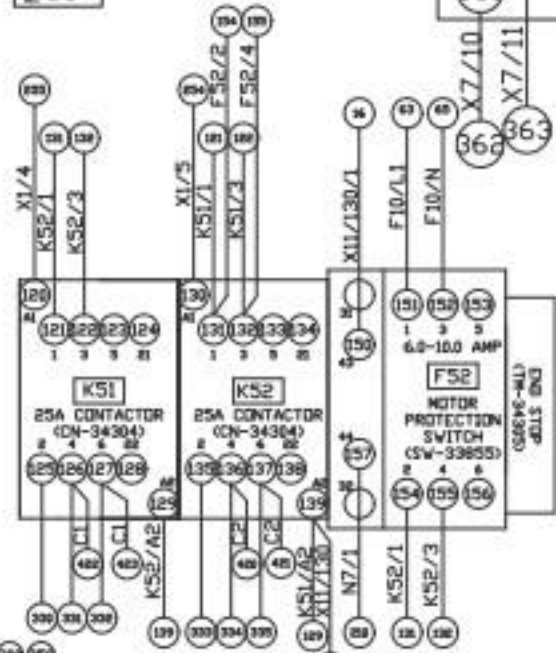
CONNECTOR  
1: TM-34463  
TERMINAL  
12: TM-34464



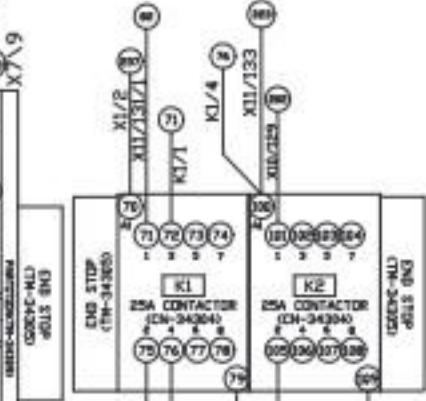
P1 (PRESSURE SWITCH)  
SW-34399



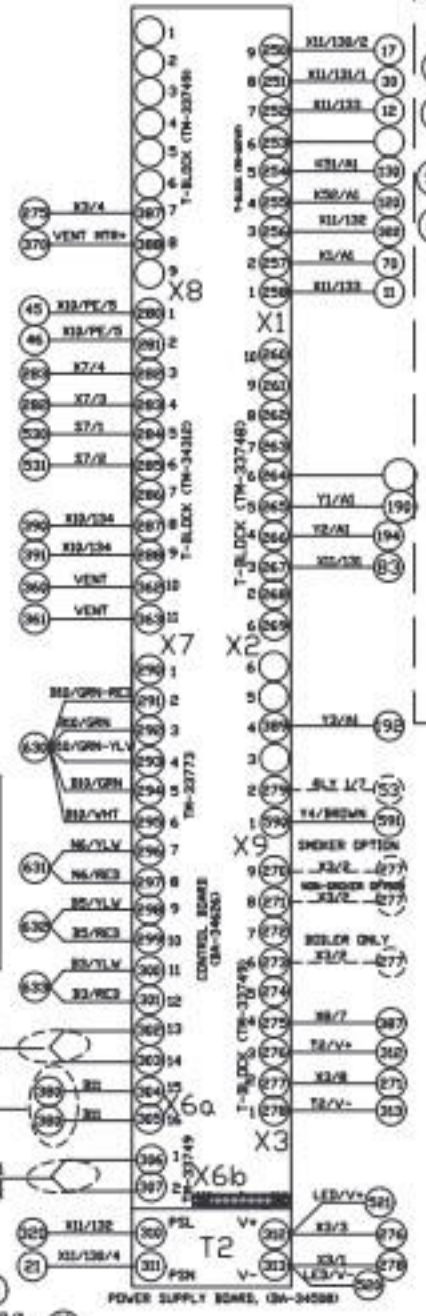
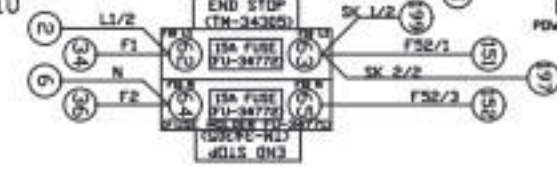
REF. WIRE ASSEMBLY  
5008564



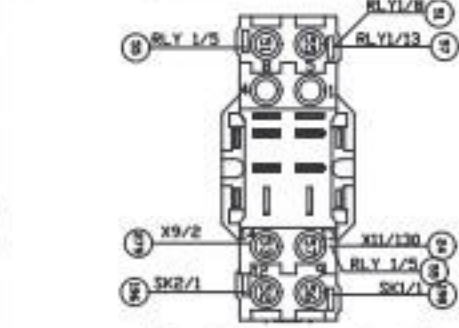
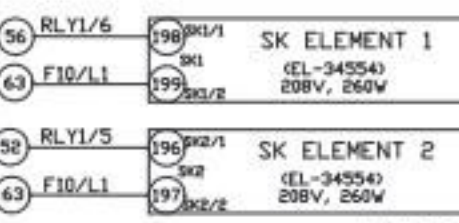
FUSEHOLDER  
(TM-34311)



JUMPER 130,131  
TM-34310



SMOKER OPTION FOR SIMPLE CONTROL

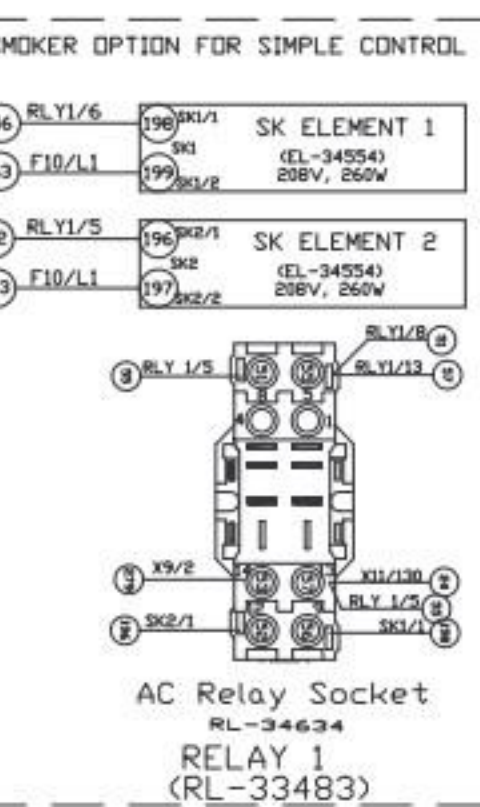
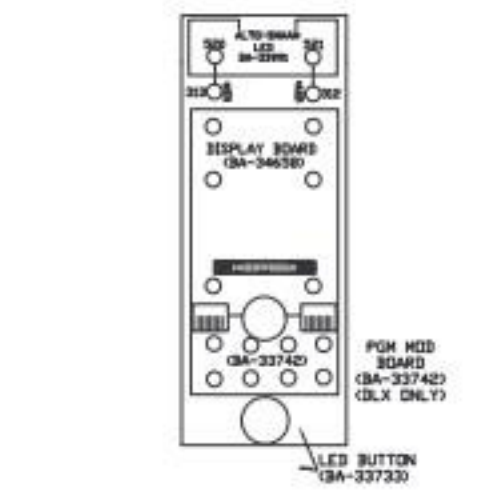
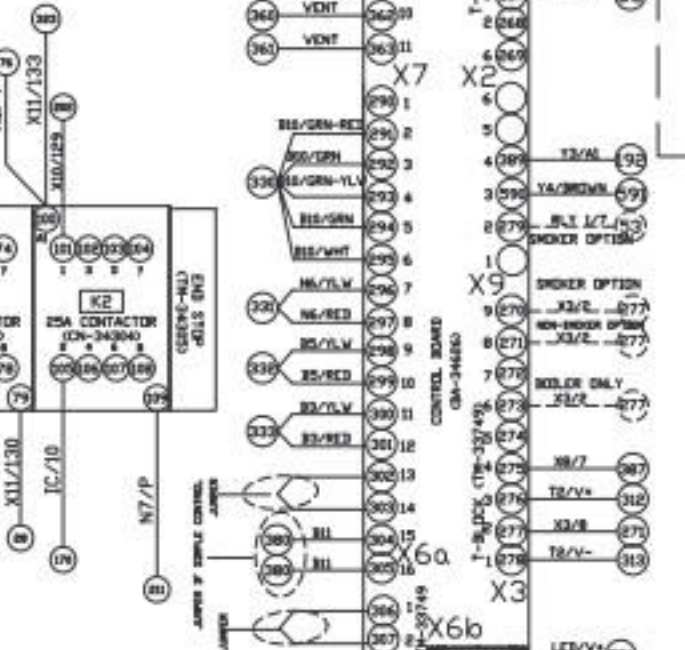
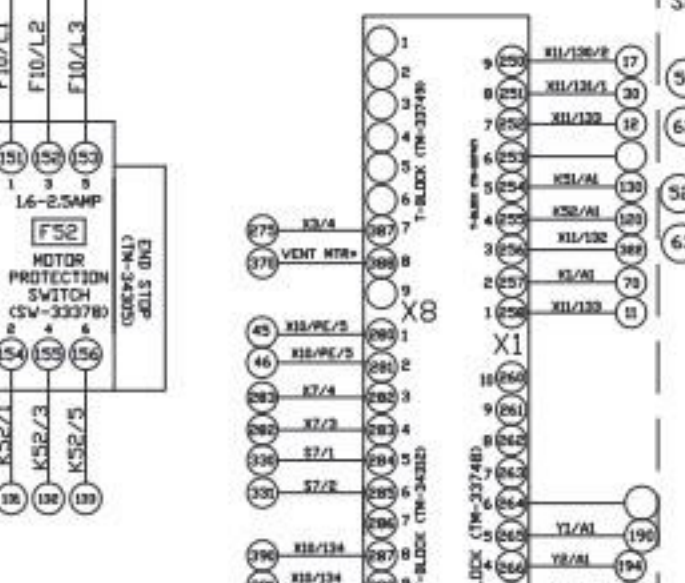
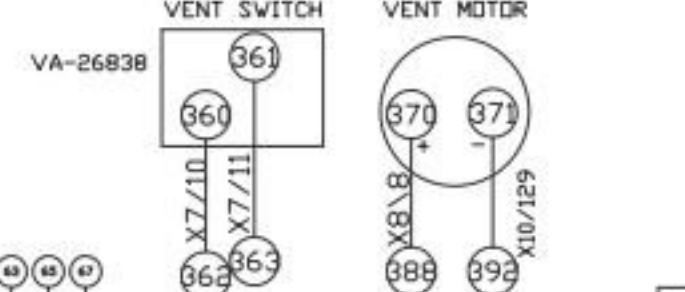
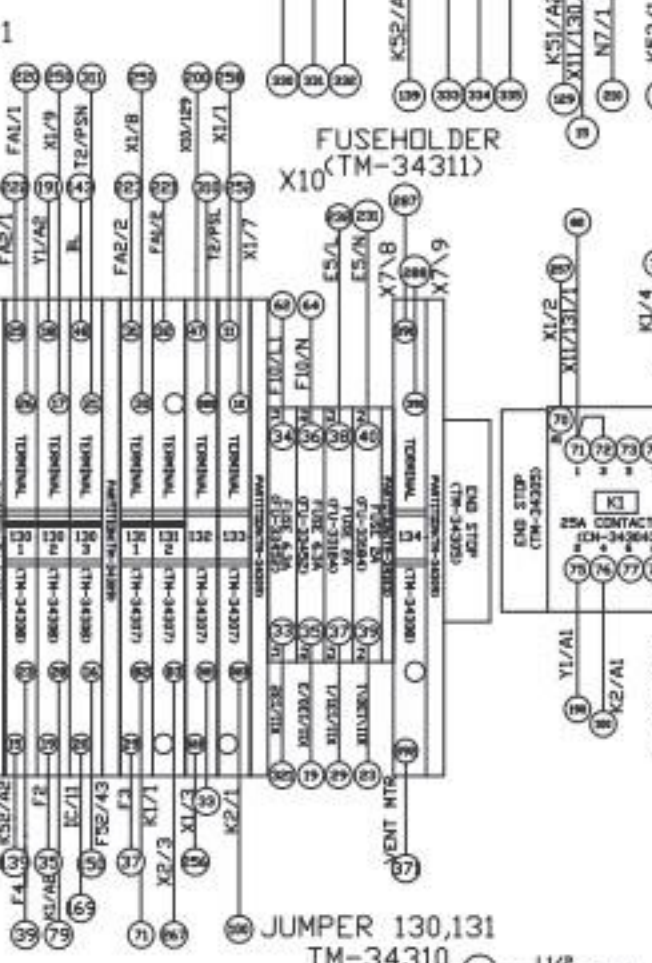
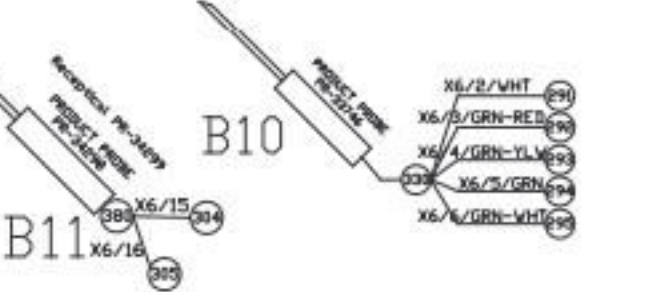
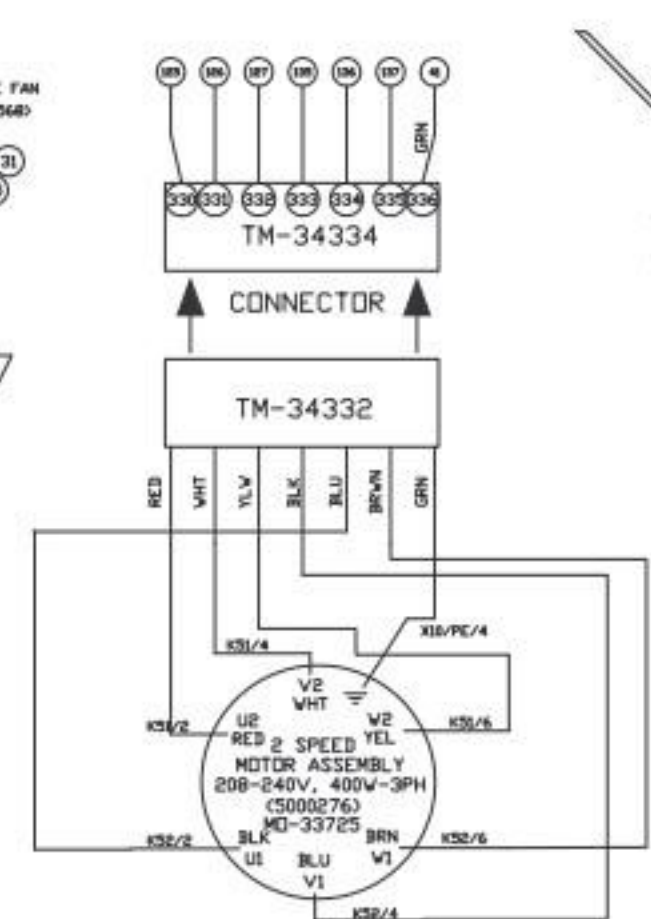
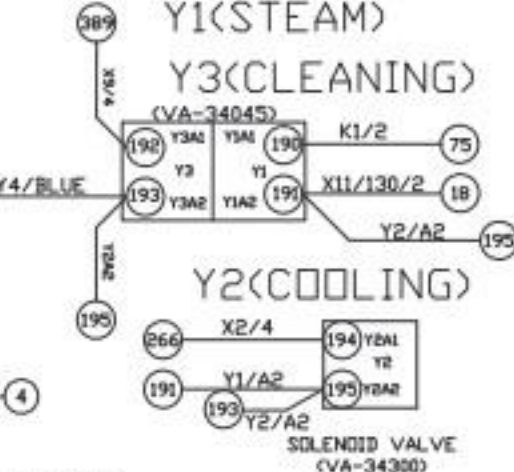
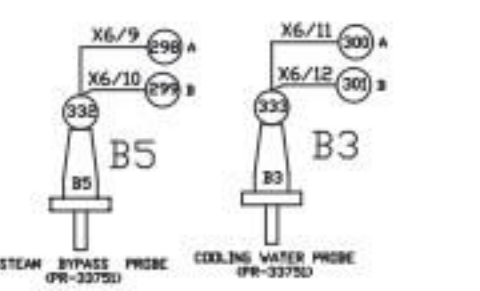
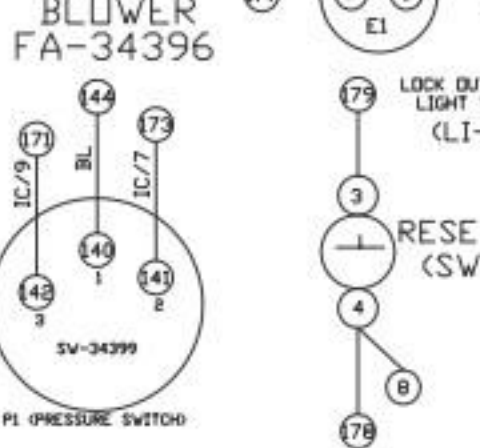
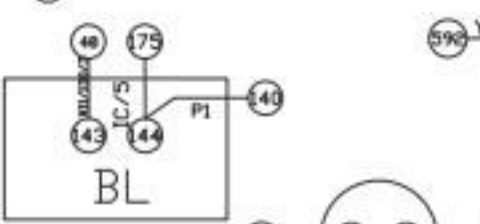
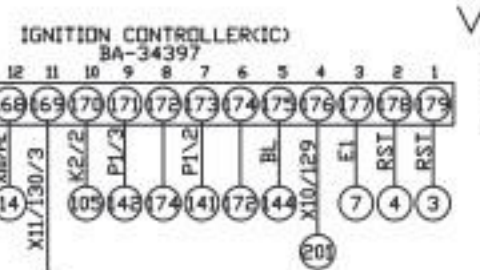
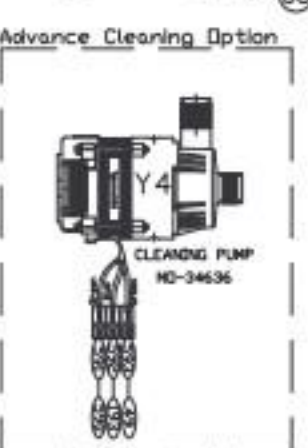
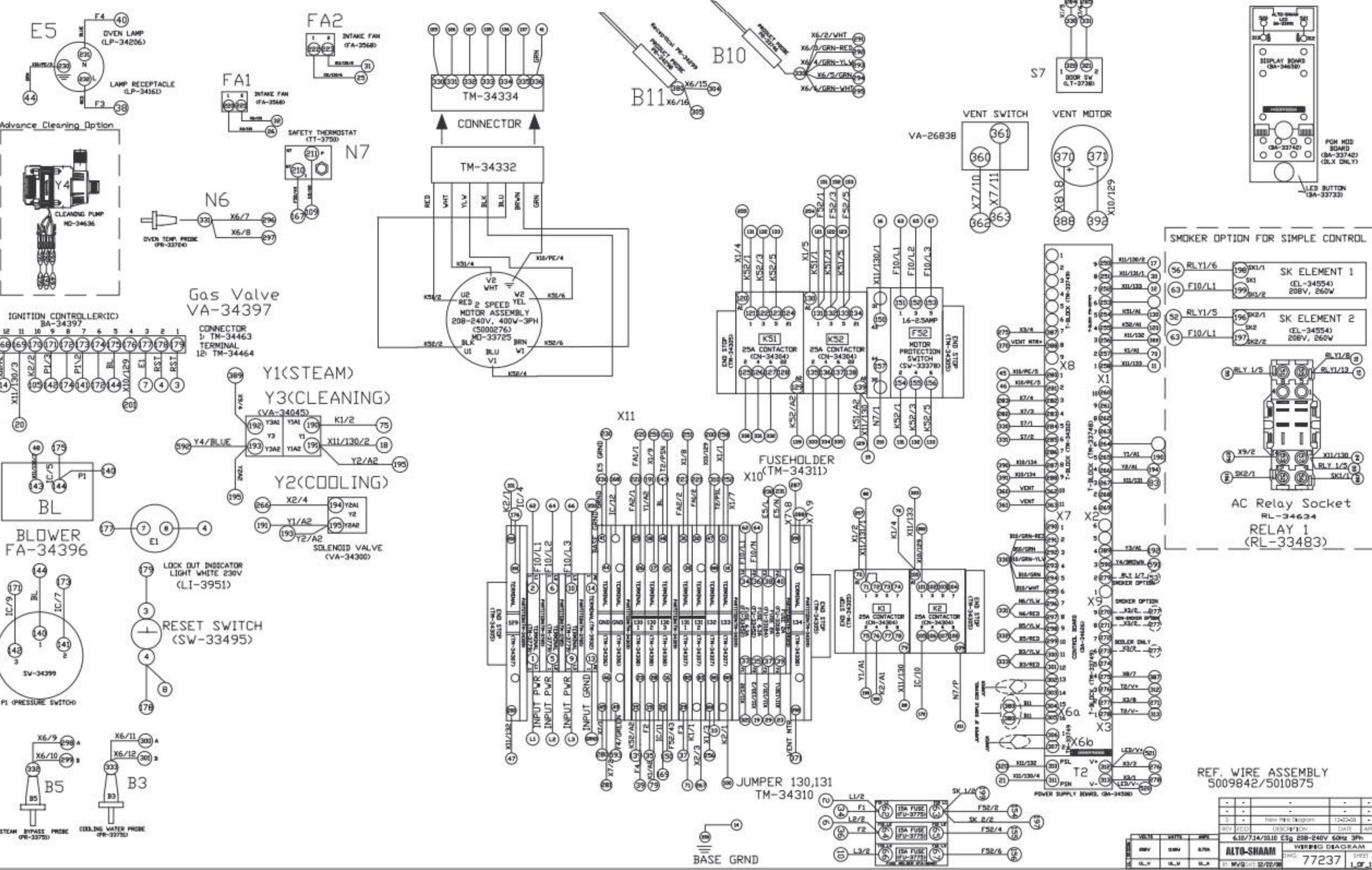


AC Relay Socket  
RL-34634  
RELAY 1  
(RL-33483)

REV	DATE	DESCRIPTION	BY	CHK
2	04/02	RELEASED TO PRODUCTION	6/11/09	KSL
1	03/01	ADD TO CPFR	6/11/09	MVC
1	04/03	RELEASED TO PRODUCTION	03/07/09	KSL
REV	ECO	DESCRIPTION	DATE	APP
		10/25/12/18 E3g 208-240V 60Hz IPH		

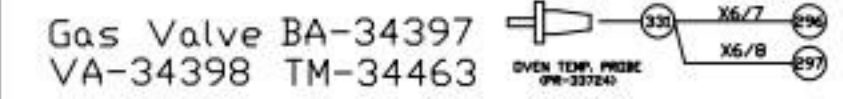
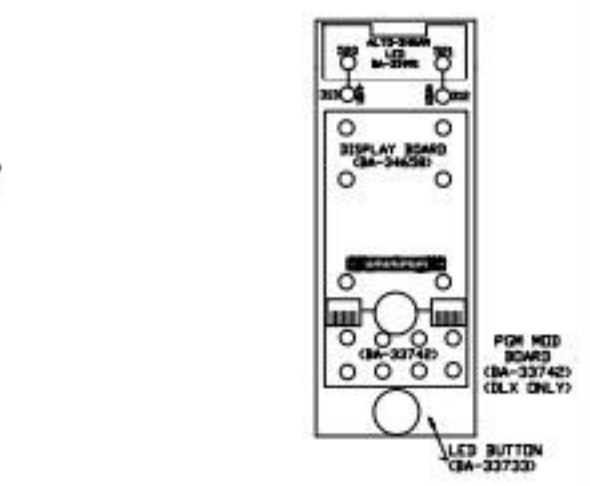
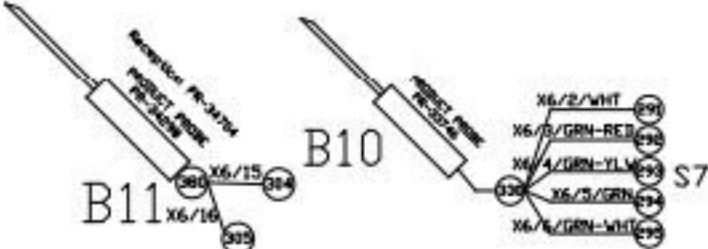
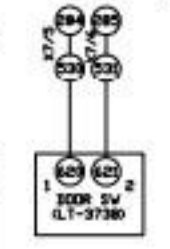
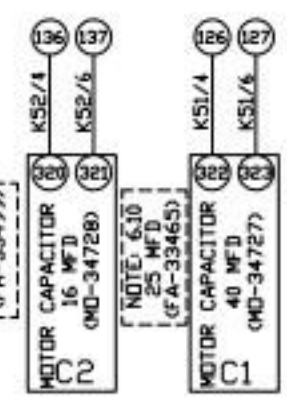
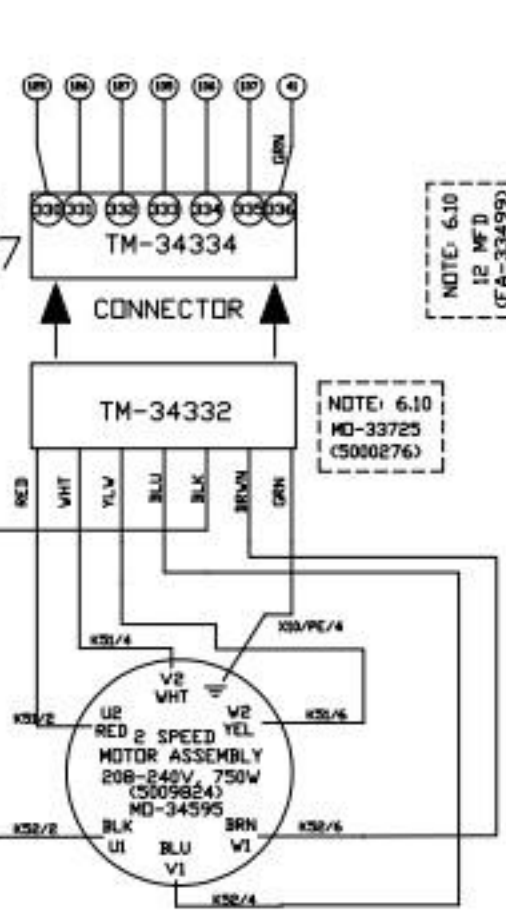
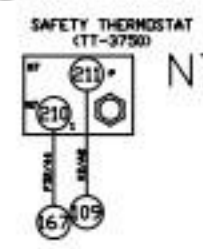
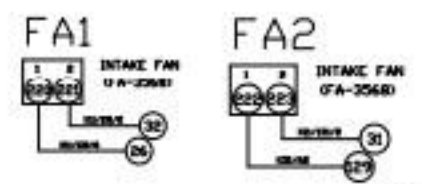
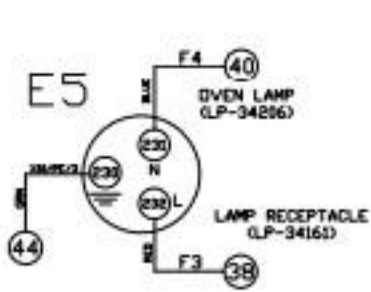
WIRING DIAGRAM  
77176  
1 OF 1



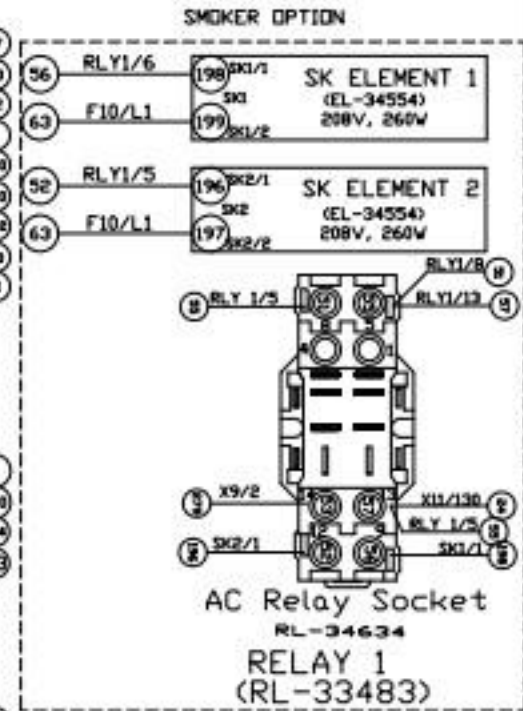
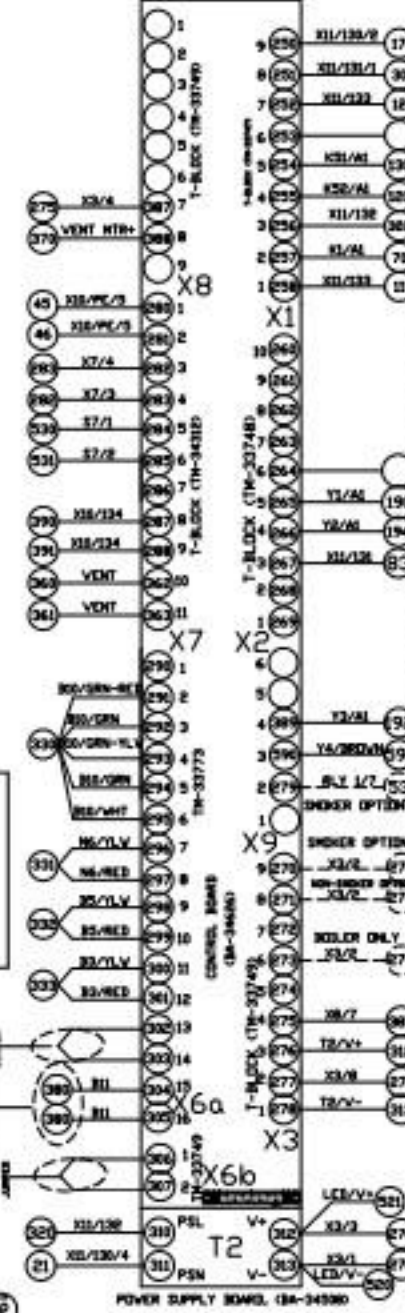
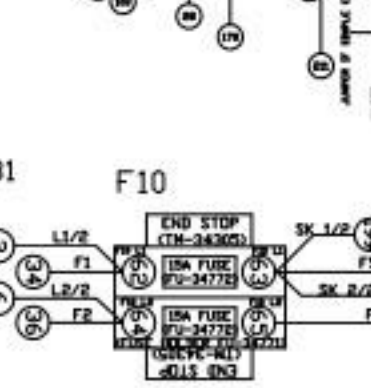
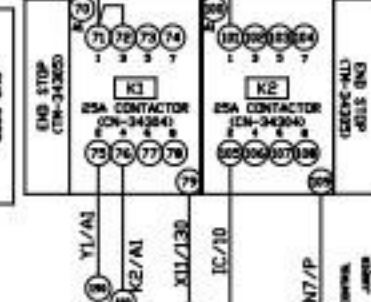
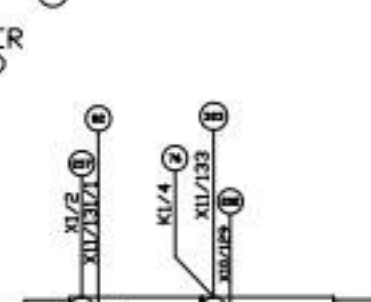
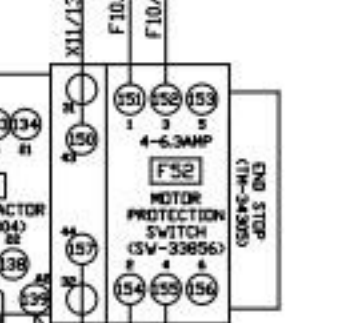
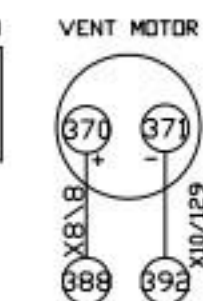
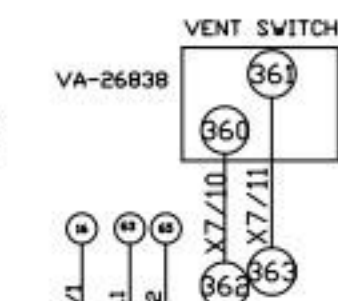
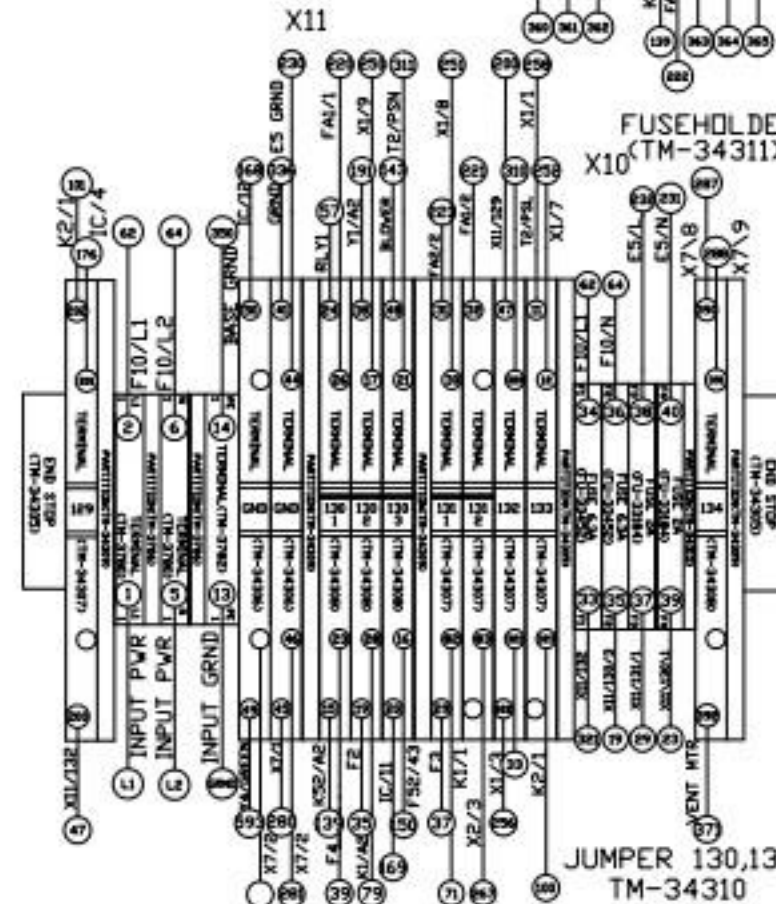
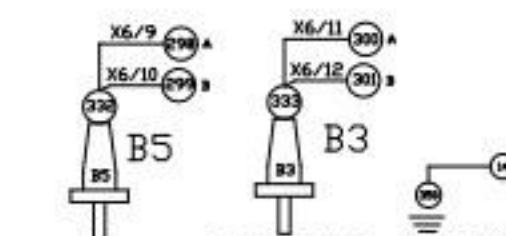
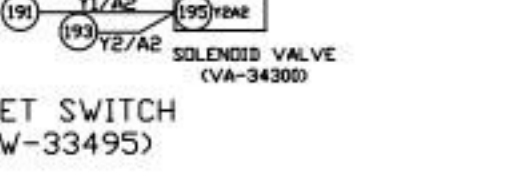
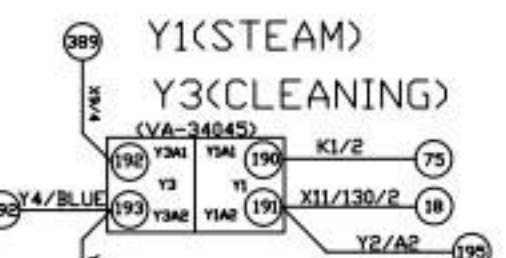
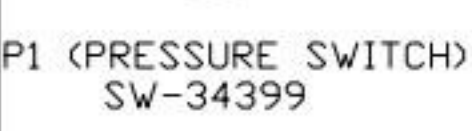
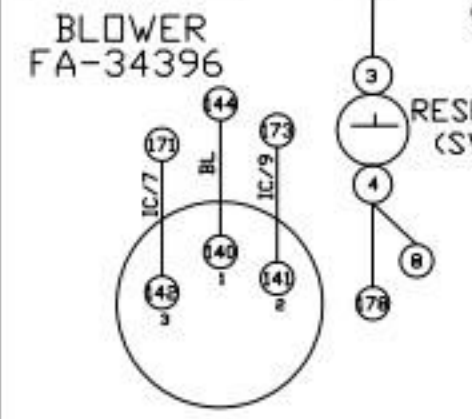
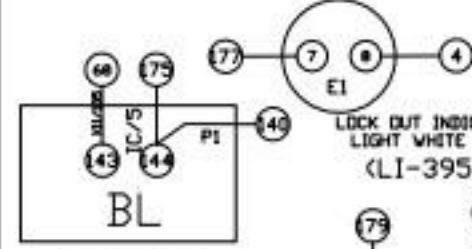
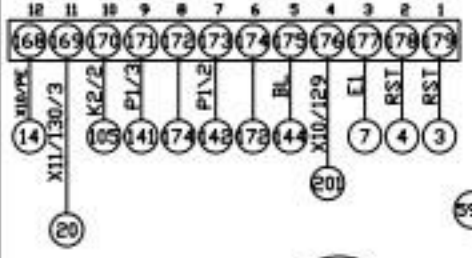


REF. WIRE ASSEMBLY  
 5009842/5010875

REV	ECO	DATE	APP
1		6.18/7.14/10.10	ESg
208-240V 60Hz 3Ph			
WIRING DIAGRAM			
77237			
SHEET 1 OF 1			



IGNITION CONTROLLER (IC)



REF. WIRE ASSEMBLY 5008869

REV	DESCRIPTION	DATE	APP
1	ISSUED FROM DESIGN DRAWING	4/10/10	JFW
2	REVISED TO PRODUCTION	2/8/10	AMB
4	REVISED TO PRODUCTION	1/20/10	MHQ
5	REVISED TO PRODUCTION	1/20/10	MHQ

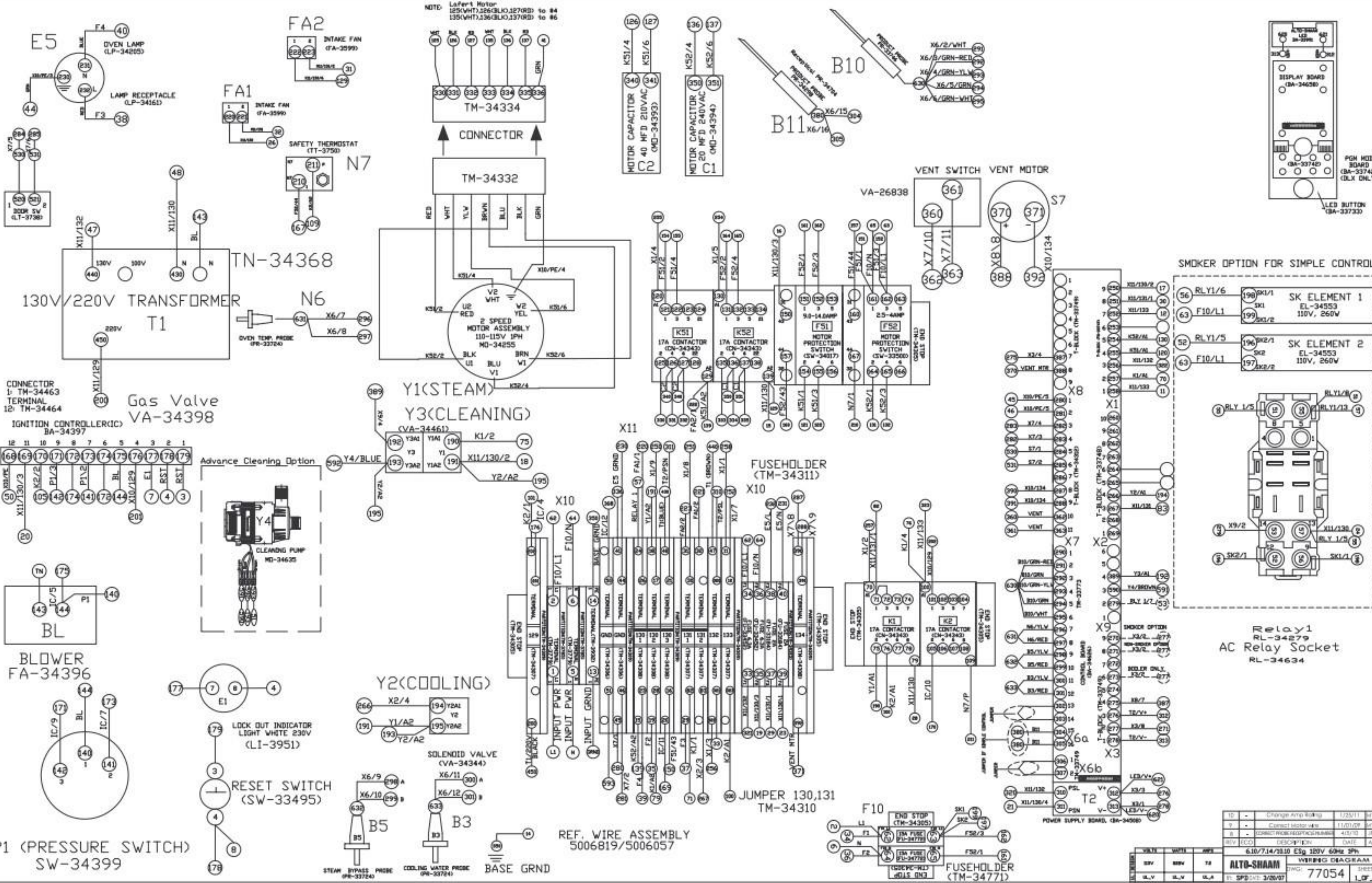
WIRE	WIRE	APP
208-240V	208V	4.5A
115V	115V	4.5A

REV	DESCRIPTION	DATE	APP
6.33/10.33	E5g 208-240V 60Hz 3Ph		

REV	DESCRIPTION	DATE	APP
1	ISSUED FROM DESIGN DRAWING	4/10/10	JFW
2	REVISED TO PRODUCTION	2/8/10	AMB
4	REVISED TO PRODUCTION	1/20/10	MHQ
5	REVISED TO PRODUCTION	1/20/10	MHQ



REV	DATE	DESCRIPTION	APP
10	1/25/11	Change Amp 60Hz	REV D
9	11/01/09	Correct Motor size	REV D
8	4/17/07	Correct Motor Options Name	JPH
REV	ECO	DESCRIPTION	DATE
610/714/2810 E5g 120V 60Hz 3Ph			
WIRING DIAGRAM			
77054			
1 of 1			