

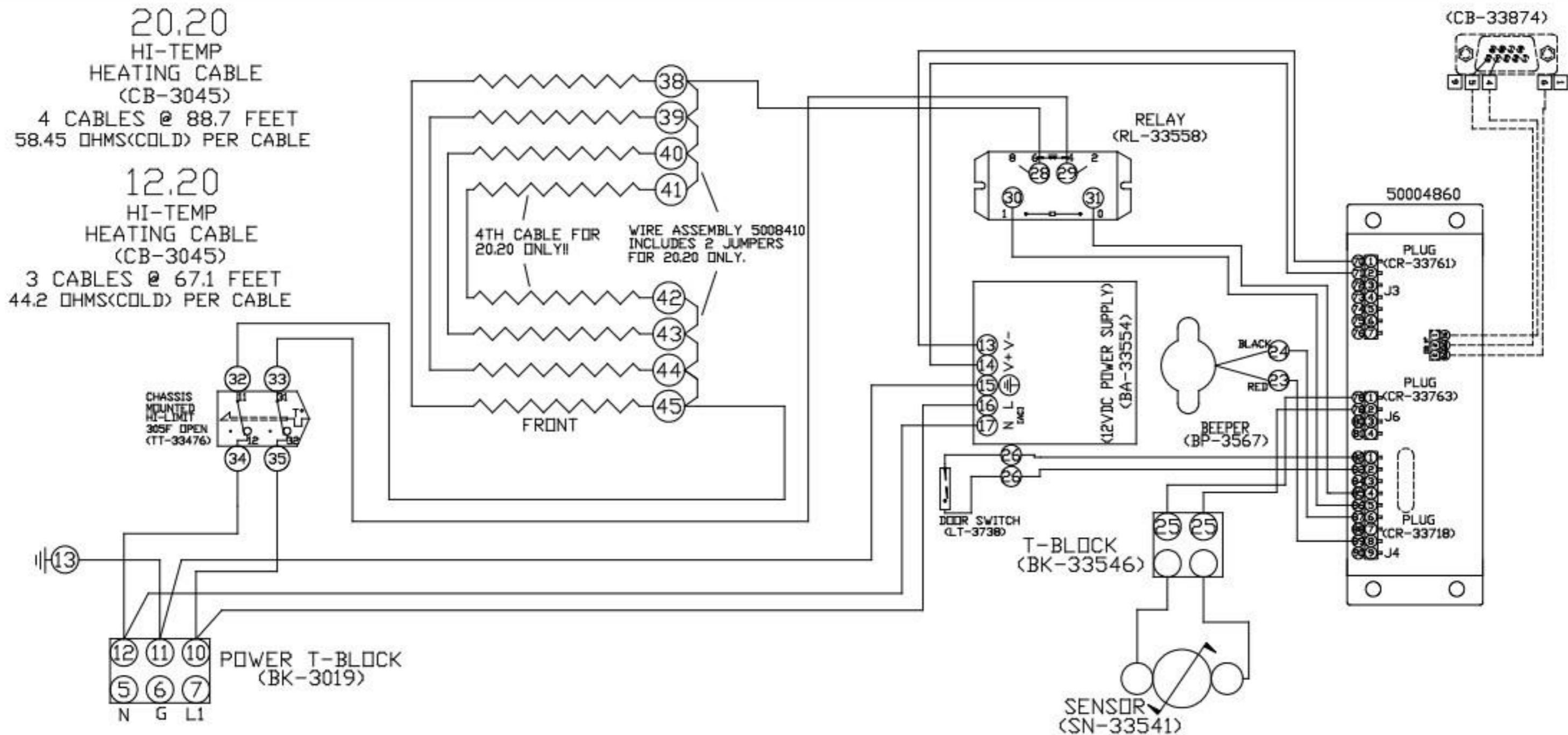
20.20			
DESIGN	VOLTS	WATTS	AMPS
	208V	2884W	13.9A
	240V	3840W	16A
UL	208-240V	3840W	16A

12.20			
DESIGN	VOLTS	WATTS	AMPS
	208V	2884W	13.9A
	240V	3840W	16A
UL	208-240V	3840W	16A

NOTE #1: ALL NUMBERS IN () = ALTO-SHAAM PART NUMBERS

NOTE #2: SEE DRW. 5007415 (20.20 AND 12.20) AND 5008410 (FOR 20.20 ONLY), FOR WIRE ASSEMBLIES

8	636P	Update sensor pin	4/12/12	TJG
7	619P	Removed cord description	11-07-11	DOR
6		FIXED PLUG SYMBOL	3-15-11	JPK
REV	ECO	DESCRIPTION	DATE	APP
20.20 AND 12.20W,MW 208-240V 50/60HZ				
ALTO-SHAAM		WIRING DIAGRAM		
		DWG: 77057	SHEET	
BY JPK DATE 4/24/08			1_DF_1	



		20.20		
		VOLTS	WATTS	AMPS
CE DESIGN		230V	3527W	15.3A
CE		230V	3530W	15.3A

		12.20		
		VOLTS	WATTS	AMPS
CE DESIGN		230V	3527W	15.3A
CE		230V	3530W	15.3A

NOTE #1: ALL NUMBERS IN () = ALTO-SHAAM PART NUMBERS
 NOTE #2: SEE DRW. 5008153 (20.20 AND 12.20) AND 5008410 (FOR 20.20 ONLY) FOR WIRE ASSEMBLIES

REV	ECO	DESCRIPTION	DATE	APP
5	436P	Change sensor p/n	06/12/12	TJG
4	-	LOWER POWER TO 3080W@230V	1-10-11	JPK
3	5886	RELEASE TO PRODUCTION	12-22-09	MLP

20.20 AND 12.20W/MW 230V 50/60HZ

ALTO-SHAAM	WIRING DIAGRAM
DRW: 77160	SHEET 1_OF_1
BY JPK DATE 4/24/08	