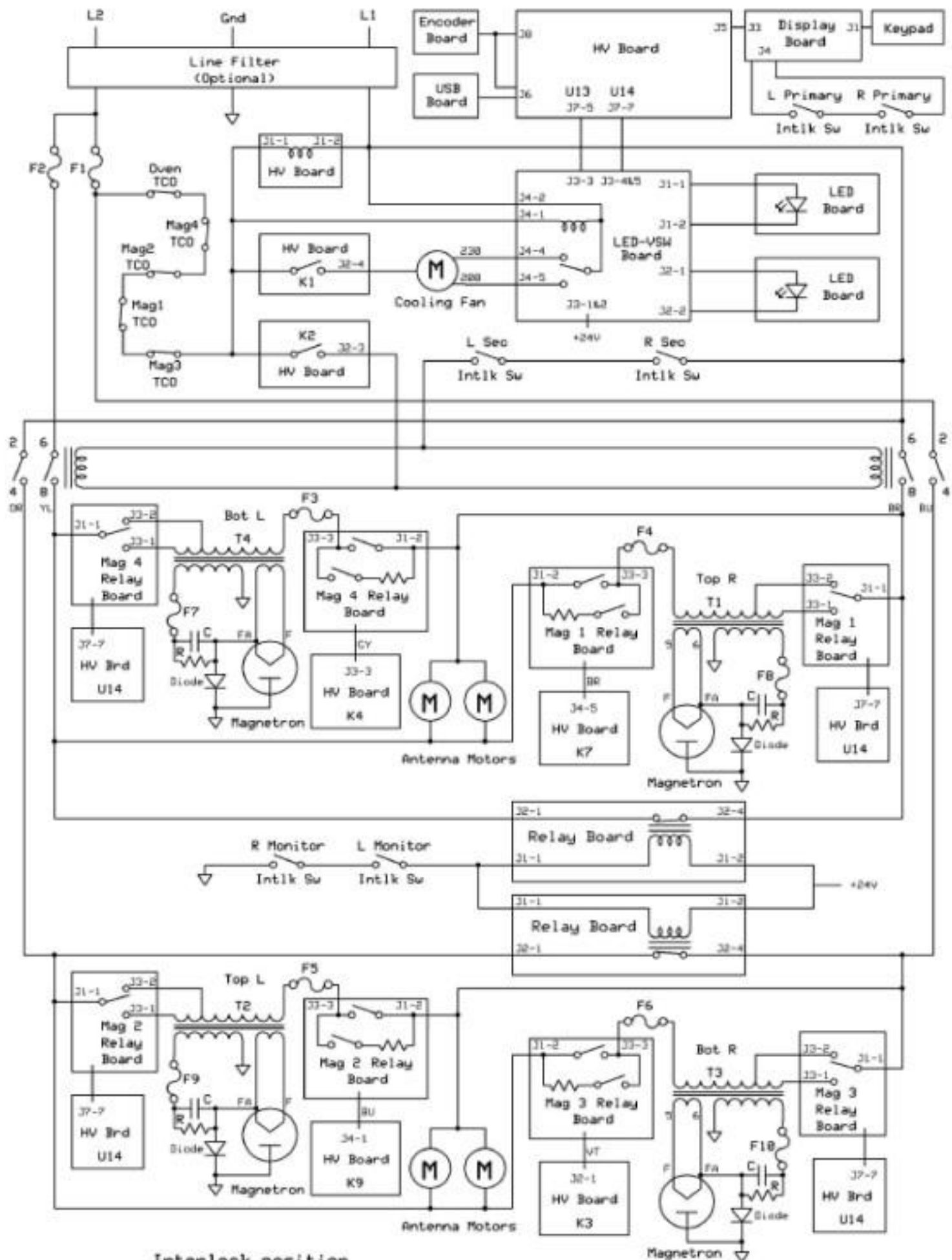


Interlock position
Door Open

20153501



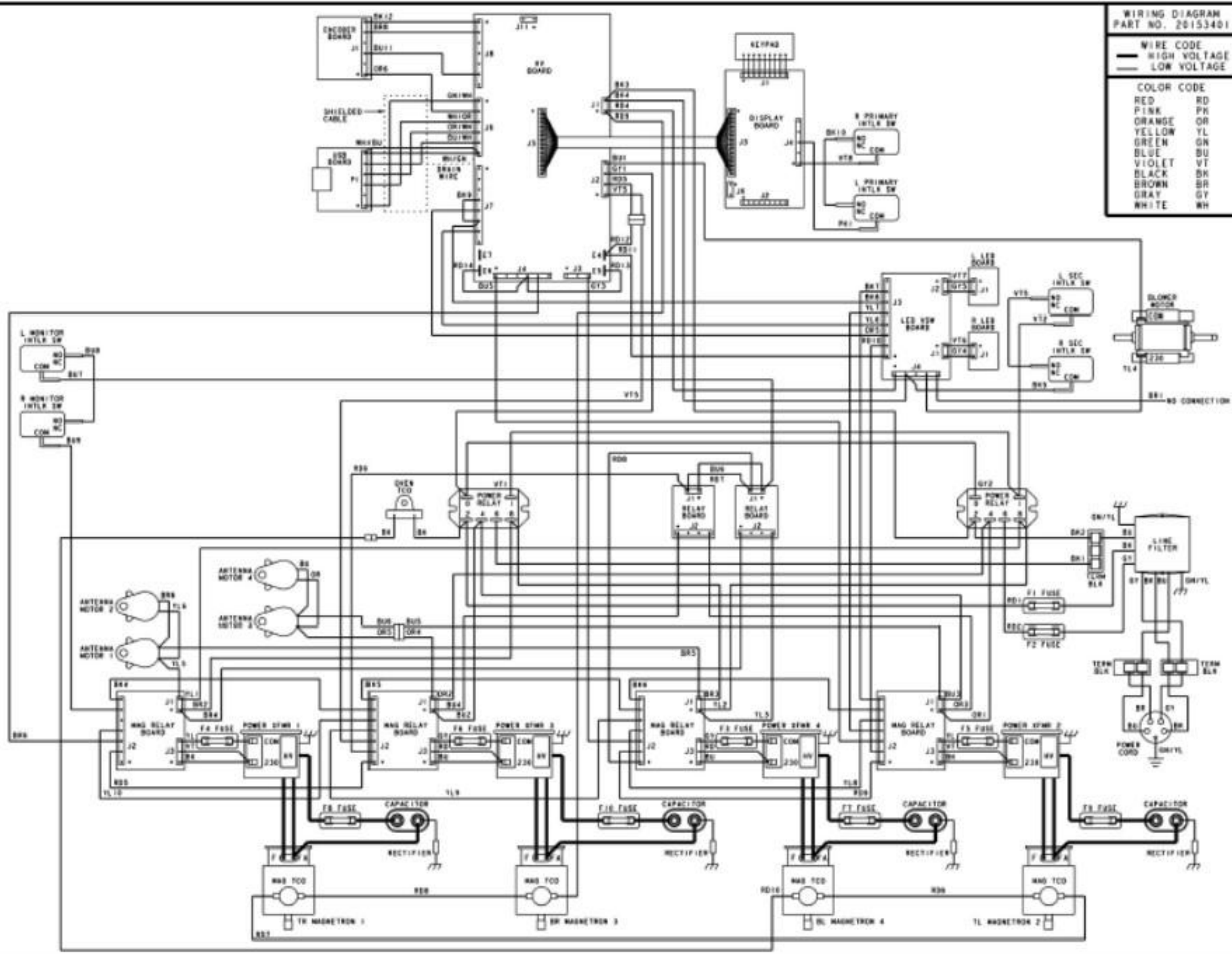
Interlock position
Door Open

WIRING DIAGRAM
PART NO. 20153401

WIRE CODE
 — HIGH VOLTAGE
 — LOW VOLTAGE

COLOR CODE

RED	RD
PINK	PN
ORANGE	OR
YELLOW	YL
GREEN	GN
BLUE	BU
VIOLET	VT
BLACK	BN
BROWN	BR
GRAY	GY
WHITE	WH



WIRING DIAGRAM
PART NO. 20151002

WIRE CODE
 — HIGH VOLTAGE
 — LOW VOLTAGE

COLOR CODE	
RED	RD
PINK	PX
ORANGE	OR
YELLOW	YL
GREEN	GN
BLUE	BU
VIOLET	VT
BLACK	BK
BROWN	BR
GRAY	GY
WHITE	WH

