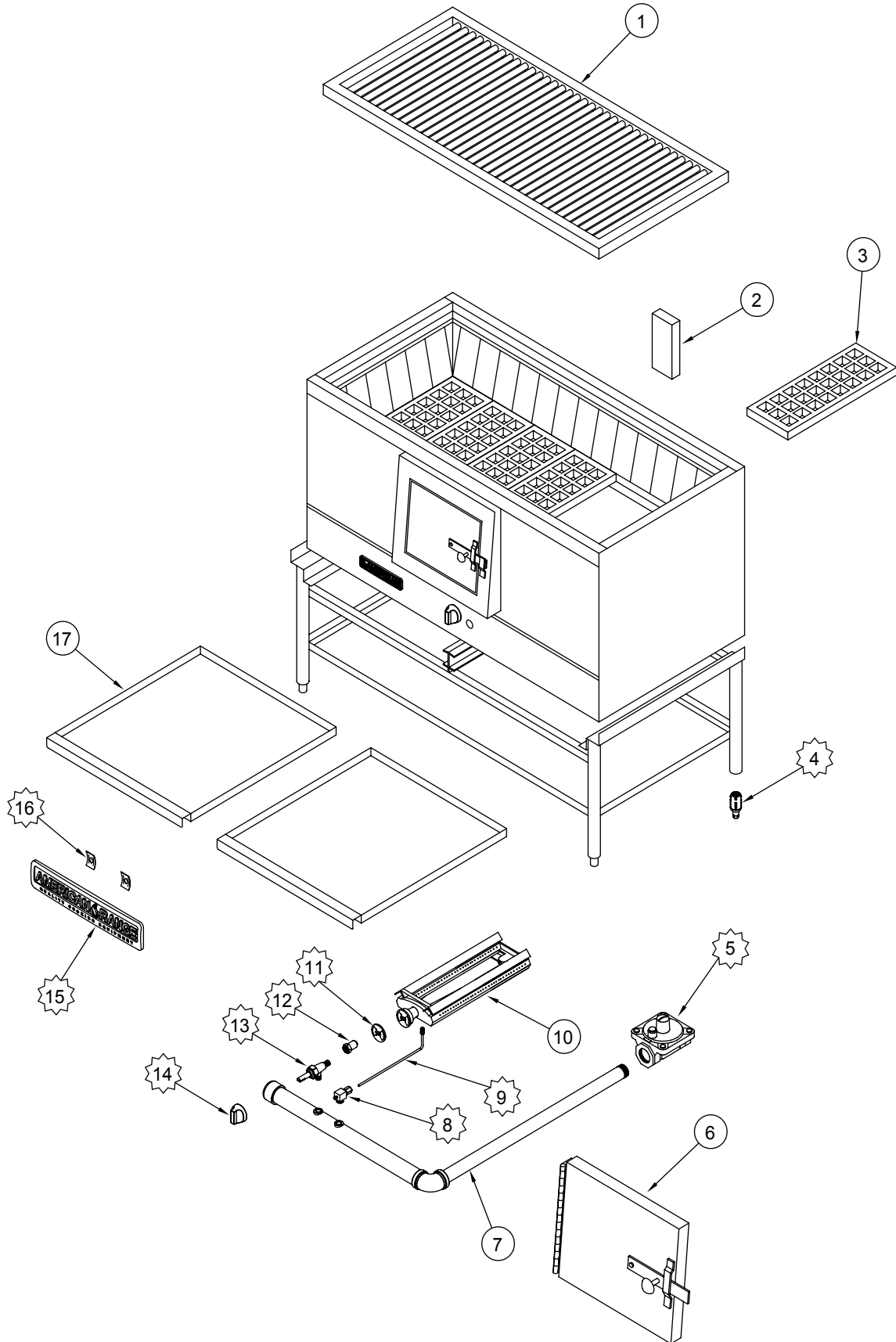


AMSQ



AMSQ

ITEM NO.	PART NO.	DESCRIPTION
2	A52901	Brick, Fire 4-1/2" x 9" x 1-1/4" 10430 Split
3	A17009	Grate, Bottom Waffle 4"x20" MSQ
4	A35000	Leg Bullet for 1-5/8 Tube NSF 10438
5	A80011	Valve, Pressure Regulator 3/4 10481 LPG Gas Set 10.0
	A80110	Valve, Pressure Regulator 3/4 10480 Nat Gas Set 5.
6	A99621	Door, AMSQ Mesquite Broiler Heavy Duty Construction
8	A29300	Valve, Pilot Elbow Adjustable 10418 1/8 NPT 3/16 CC
9	A29233	Pilot Tip, Assembly Single AMSQ
10	A14038	Burner, H w/Welded Radiants 10475 AECB & AMSQ
11	A14037	Air Shutter, 2" 10464
12	A29004	Orifice Hood, #50 1/2" Brass 11050 LPG Gas
	A29014	Orifice Hood, #36 1/2" Brass 11050 Nat Gas
13	A80109	Valve, Gas Manual On/Off UL 10419, AR, ARKB, ARRB, AECB
14	A32001	Knob, Gas On/Off Glossy Black Flat Down
15	A38000	Name Plate, American Range 8" 10499 Quality Commercial Chrome
16	A44003	Nut, Speed #6 Push Black 10601

subject to change without notice.

