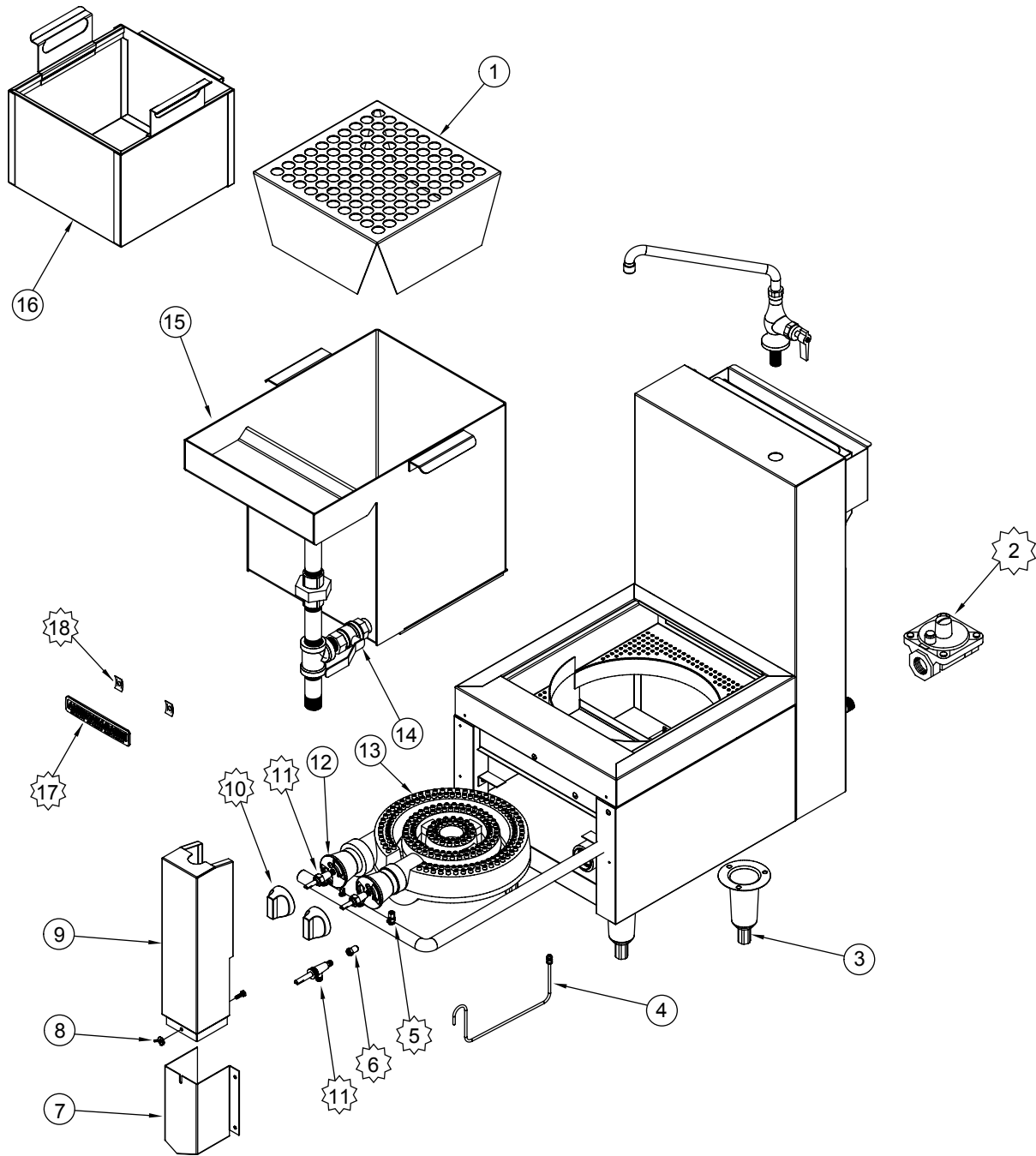
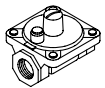


ARPC-18

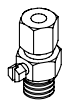


2



REGULATOR

5



90° SINGLE PILOT
ADJUSTABLE VALVE

6



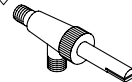
ORIFICE HOOD

10



BLACK
ON/OFF KNOB

11



GAS VALVE

17



AMERICAN RANGE
NAME PLATE

18



SPEED NUT

ARPC-18

ITEM NO.	PART NO.	DESCRIPTION
1	71278	Spacer, Tank Bottom Perforated 14GA 304 2B
2	A80110	Valve, Pressure Regulator 3/4" 10480 Nat Gas Set 5.
	A80011	Valve, Pressure Regulator 3/4" 10481 LPG Gas Set 10.0
3	A35001	Leg, 6" Cone 3" Adjustable Bullet Chrome Plated NSF
4	A29202	Pilot Tip, Assembly Single 10241 ARSP-18/ARWR/ARPC
5	A29302	Valve, Gas Pilot Straight Brass 3/16" CC - 1/8" MNPT
6	A29003	Orifice Hood, #53 1/2" Brass Flat Head/MSD LPG Gas ARROB
	A29020	Orifice Hood, #31 1/2" Brass 11031 Nat Gas
8	A44035	Nut, Wing Flange 1/4"-20 3/4" ZP 71290 Pasta Cooker
9	71295	Bracket, Drain Cover 18GA Stainless 71295 Pasta Cooker
10	A32001	Knob, Gas On/Off Glossy Black Flat Down
11	A80109	Valve, Gas Manual On/Off UL 10419, AR, ARKB, ARRB, AECB
12	A14045	Shutter, Air, 2" 2 & 3 - Ring Burner - ARSP/HD
13	A14013	Inner 2 Ring Burner
	A80124	Outer Ring Burner ARSP-18 Stock Pot
	A14007	Burner, Three Ring Stock Pot w/Venturi 45bx
14	A80204	Valve, Drain 1" NPT Brass
15	71265	Tank Assembly Aluminum ARPC-18
16	71257	Strainer Pot
17	A38000	Name Plate, American Range 8" 10499 Quality Commercial Chrome
18	A44003	Nut, Speed #6 Push Black 10601

subject to change without notice.