

# ANETS

**MODEL: A30 x 24G/GC**  
**- A30 x 72G/GC**



Model A30x48G shown with optional stand

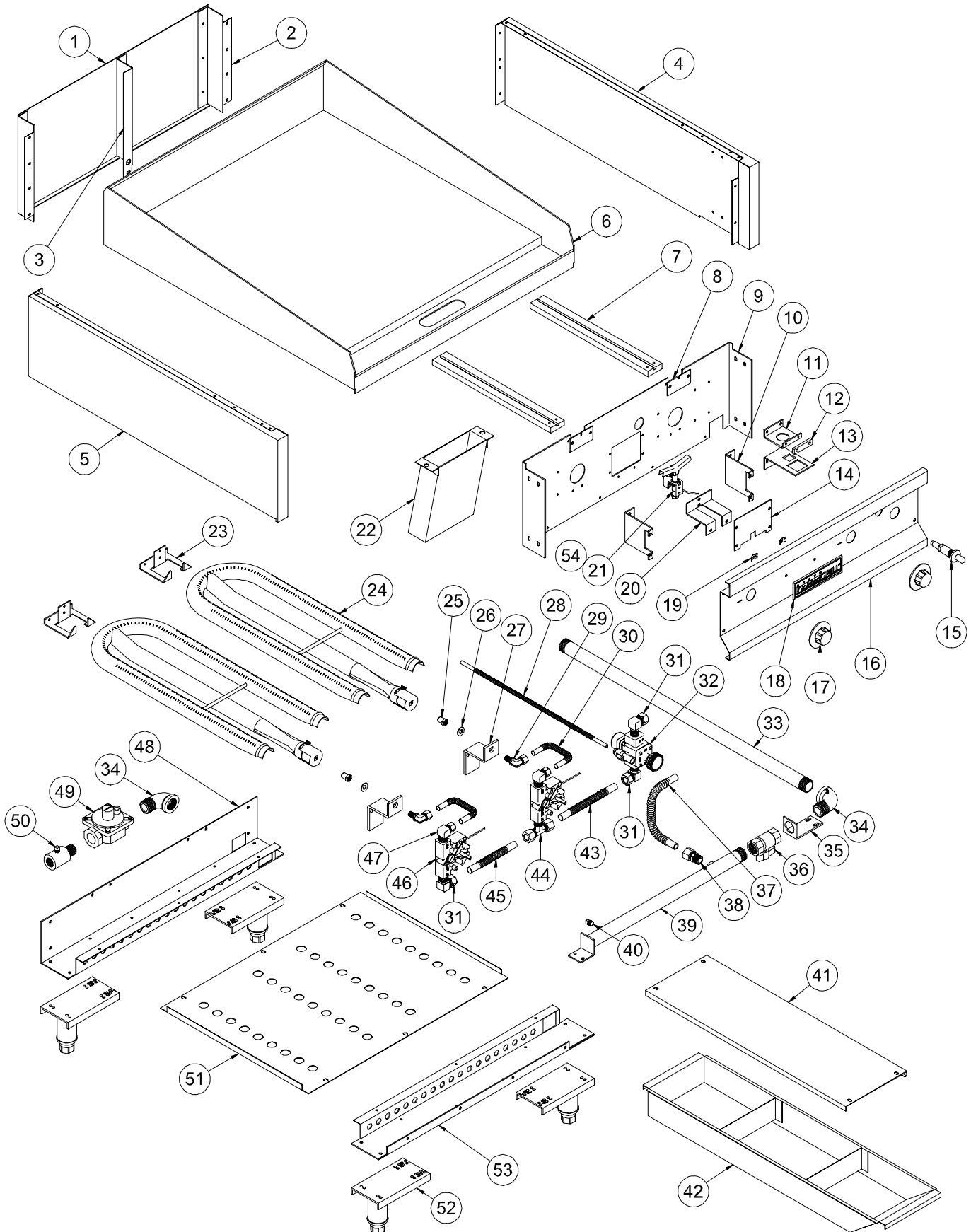


ANETS  
**GoldenFRY™**

Anetsberger LLC • 180 North Anets Drive • Northbrook, Illinois 60062  
Main: 847-272-0770 • Toll Free: 800-837-2638 • Fax: 847-272-1943

[www.anets.us](http://www.anets.us)

ANETS  
**GoldenGRILL™**



ITM	QTY	PART NUMBER	DESCRIPTION
1	1	C10772-01	Flue Back – 24"
		C10772-02	Flue Back – 36"
		C10772-03	Flue Back – 48"
		C10772-04	Flue Back – 60"
		C10772-05	Flue Back – 72"
2	2	C10769-00	Flue Bracket
3	1	C10966-00	Flue Center Bracket – 36" & 48"
	2		Flue Center Bracket – 60" & 72"
4	1	D6219-00	Right Side Panel Weldment
5	1	D6220-00	Left Side Panel Weldment
6	1	E5261-01	Grill Plate Weldment – 24"
		E5261-02	Grill Plate Weldment – 36"
		E5261-03	Grill Plate Weldment – 48"
		E5261-04	Grill Plate Weldment – 60"
		E5261-05	Grill Plate Weldment – 72"
		E5261-06	Chrome Grill Plate Weldment – 24"
		E5261-07	Chrome Grill Plate Weldment – 36"
		E5261-08	Chrome Grill Plate Weldment – 48"
		E5261-09	Chrome Grill Plate Weldment – 60"
		E5261-10	Chrome Grill Plate Weldment – 72"
7	2	B13130-01	Bulb Holder – 24"
	3		Bulb Holder – 36"
	4		Bulb Holder – 48"
	5		Bulb Holder – 60"
	6		Bulb Holder – 72"
8	2	B14270-00	Bulb Holder Cover – 24"
	3		Bulb Holder Cover – 36"
	4		Bulb Holder Cover – 48"
	5		Bulb Holder Cover – 60"
	6		Bulb Holder Cover – 72"
9	1	E5168-01	Partition Wall – 24"
		E5168-02	Partition Wall – 36"
		E5168-03	Partition Wall – 48"
		E5168-04	Partition Wall – 60"
		E5168-05	Partition Wall – 72"
10	2	C10635-00	Thermostat Bracket – 24"
	3		Thermostat Bracket – 36"
	4		Thermostat Bracket – 48"
	5		Thermostat Bracket – 60"
	6		Thermostat Bracket – 72"
11	1	B14278-00	Top Bracket – 24"
	2		Top Bracket – 36" & 48"
	3		Top Bracket – 60" & 72"
12	1	B14279-00	Top Bracket Clamp – 24"
	2		Top Bracket Clamp – 36" & 48"
	3		Top Bracket Clamp – 60" & 72"
13	1	C10636-00	Bottom Bracket – 24"
	2		Bottom Bracket – 36" & 48"
	3		Bottom Bracket – 60" & 72"
14	1	B14267-00	Pilot Cover – 24"
	2		Pilot Cover – 36" & 48"
	3		Pilot Cover – 60" & 72"
15	1	P9131-76	Piezo Igniter – 24"
	2		Piezo Igniter – 36" & 48"
	3		Piezo Igniter – 60" & 72"

ITM	QTY	PART NUMBER	DESCRIPTION
16	1	E5169-01	Front Panel – 24"
		E5169-02	Front Panel – 36"
		E5169-03	Front Panel – 48"
		E5169-04	Front Panel – 60"
		E5169-05	Front Panel – 72"
17	2	P8904-90	Knob – 24"
	3		Knob – 36"
	4		Knob – 48"
	5		Knob – 60"
	6		Knob – 72"
18	1	P9203-36	Golden Grill Name Plate (B13697)
19	2	P9051-01	Push Nut
20	1	B14268-00	Pilot Bracket – 24"
	2		Pilot Bracket – 36" & 48"
	3		Pilot Bracket – 60" & 72"
21	1	P8904-47	Pilot – 24"
	2		Pilot – 36" & 48"
	3		Pilot – 60" & 72"
22	1	B14256-00	Grease Chute – 24", 36", 48", 60"
	2		Grease Chute – 72"
23	2	B14254-00	Burner Support – 24"
	3		Burner Support – 32"
	4		Burner Support – 48"
	5		Burner Support – 60"
	6		Burner Support – 72"
	24		2
3		27" Burner (E5253-00) – 36"	
4		27" Burner (E5253-00) – 48"	
5		27" Burner (E5253-00) – 60"	
6		27" Burner (E5253-00) – 72"	
25a		2	P8841-52
	3	Burner Orifice Nat. (B14245-33) – 36"	
	4	Burner Orifice Nat (B14245-33) – 48"	
	5	Burner Orifice Nat (B14245-33) – 60"	
	6	Burner Orifice Nat (B14245-33) – 72"	
	25b	2	
3		Burner Orifice L.P. (B14245-52) – 36"	
4		Burner Orifice L.P. (B14245-52) – 48"	
5		Burner Orifice L.P. (B14245-52) – 60"	
6		Burner Orifice L.P. (B14245-52) – 72"	
26		2	P8055-15
	3	Plain Washer – 36"	
	4	Plain Washer – 48"	
	5	Plain Washer – 60"	
	6	Plain Washer – 72"	
	27	2	
3		Gas Valve Bracket – 36"	
4		Gas Valve Bracket – 48"	
5		Gas Valve Bracket – 60"	
6		Gas Valve Bracket – 72"	
28		1	P9315-35
	2	S.S. Flex Tube 1/4 x 16" – 48" & 60"	
	3	S.S. Flex Tube 1/4 x 16" – 72"	
1	1	P9315-61	S.S. Flex Tube 1/4 x 12" – 36" & 60"

ITM	QTY	PART NUMBER	DESCRIPTION
29	2	P8841-49	Bulkhead Elbow Orifice Holder – 24"
	3		Bulkhead Elbow Orifice Holder – 36"
	4		Bulkhead Elbow Orifice Holder – 48"
	5		Bulkhead Elbow Orifice Holder – 60"
	6		Bulkhead Elbow Orifice Holder – 72"
30	2	P9314-52	S.S. Flex Tube 3/8 x 6" (B13609) – 24"
	3		S.S. Flex Tube 3/8 x 6" (B13609) – 36"
	4		S.S. Flex Tube 3/8 x 6" (B13609) – 48"
	5		S.S. Flex Tube 3/8 x 6" (B13609) – 60"
	6		S.S. Flex Tube 3/8 x 6" (B13609) – 72"
31	3	P8840-72	69x8 Male Elbow – 24"
	6		69x8 Male Elbow – 36" & 48"
	9		69x8 Male Elbow – 60" & 72"
32	1	P8904-84	Gas Safety Valve – 24"
	2		Gas Safety Valve – 36" & 48"
	3		Gas Safety Valve – 60" & 72"
33	1	B7910-12	¾ x 33" Nipple
34	2	P8825-18	¾ Street Elbow
35	1	B14258-00	Manifold Bracket
36	1	P8900-95	¾ Gas Ball Valve
37	1	P9316-20	S.S. Flex Tube 1/2 x 11" (B13609)– 24"
	2		S.S. Flex Tube 1/2 x 11" (B13609)– 36" & 48"
	3		S.S. Flex Tube 1/2 x 11" (B13609)– 60" & 72"
38	1	P8840-39	#68x8 Male Connector – 24"
	2		#68x8 Male Connector – 36" & 48"
	3		#68x8 Male Connector – 60" & 72"
39	1	C10904-01	Manifold Weldment – 24"
		C10904-02	Manifold Weldment – 36"
		C10904-03	Manifold Weldment – 48"
		C10904-04	Manifold Weldment – 60"
		C10904-05	Manifold Weldment – 72"
40	1	P8805-02	1/8 Sq. Plug
41	1	C10466-00	Drawer Cover Wldmt–24", 36", 48", 60"
	2		Drawer Cover Wldmt – 72"
42	1	P8905-82	Grease Pan – 24", 36", 48", 60"
	2		Grease Pan (D5725) – 72"
43	1	P9314-57	S.S. Flex Tube 1/2 x 6" (B13609)– 24"
	2		S.S. Flex Tube 1/2 x 6" – 36" & 48"
	3		S.S. Flex Tube 1/2 x 6" – 60" & 72"
44	1	P8841-47	#72x8 Male Branch Tee – 24" & 36"
	2		#72x8 Male Branch Tee – 48" & 60"
	3		#72x8 Male Branch Tee – 72"

ITM	QTY	PART NUMBER	DESCRIPTION
45	1	P9316-28	S.S. Flex Tube 1/2 x 10" (B13609)- 24"
	1	P9316-10	S.S. Flex Tube 1/2 x 5" (B13609) - 36"
	2		S.S. Flex Tube 1/2 x 5" - 48" & 60"
46	3	P8904-50	S.S. Flex Tube 1/2 x 5" (B13609) - 72"
	2		Thermostat – 24"
	3		Thermostat – 36"
	4		Thermostat – 48"
	5		Thermostat – 60"
	6		Thermostat – 72"
47	2	P8841-15	69x6x6 Male Elbow – 24"
	3		69x6x6 Male Elbow – 36"
	4		69x6x6 Male Elbow – 48"
	5		69x6x6 Male Elbow – 60"
	6		69x6x6 Male Elbow – 72"
48	1	E5156-01	Rear Frame Support – 24"
		E5156-02	Rear Frame Support – 36"
		E5156-03	Rear Frame Support – 48"
		E5156-04	Rear Frame Support – 60"
		E5156-05	Rear Frame Support – 72"
49	1	P8904-03	Gas Regulator – Natural – 60", 72"
		P8904-04	Gas Regulator – L.P. – 60", 72"
		P8905-81	Gas Regulator – L.P. & Natural – 24", 36", 48"
50	1	B14236-00	¾" Pressure Tap Assembly – 24", 36", 48", 60"
		B14237-00	1" Pressure Tap Assembly – 72"
51	1	D6337-01	Floor Panel – 24"
		D6337-02	Floor Panel – 36"
		D6337-03	Floor Panel – 48"
		D6337-04	Floor Panel – 60"
		D6337-05	Floor Panel – 72"
52	4	P9315-79	Leg Weldment Assembly (C10410)
53	1	E5155-01	Front Frame Support – 24"
		E5155-02	Front Frame Support – 36"
		E5155-03	Front Frame Support – 48"
		E5155-04	Front Frame Support – 60"
		E5155-05	Front Frame Support – 72"
54	1	P8900-47	Thermocouple – 24"
	2		Thermocouple – 36" & 48"
	3		Thermocouple – 60" & 72"

### OPTIONAL ITEMS

N/S	1	D6230-01	Removable Cutting Board Assy – 24"
		D6230-02	Removable Cutting Board Assy – 36"
		D6230-03	Removable Cutting Board Assy – 48"
		D6230-04	Removable Cutting Board Assy – 60"
		D6230-05	Removable Cutting Board Assy – 72"

N/S	1	D6254-11	11" High Backsplash Extension – 24"
		D6254-12	11" High Backsplash Extension – 36"
		D6254-13	11" High Backsplash Extension – 48"
		D6254-14	11" High Backsplash Extension – 60"
		D6254-15	11" High Backsplash Extension – 72"
N/S	1	K5060-00	Cleaning Kit

**IMPORTANT:** When ordering replacement parts...please supply model and serial number... type of gas... item number...description and part number. Part orders that are shipped due to lack of above information are subject to restocking charge. No merchandise can be returned without written permission.