

ANFIM[®]

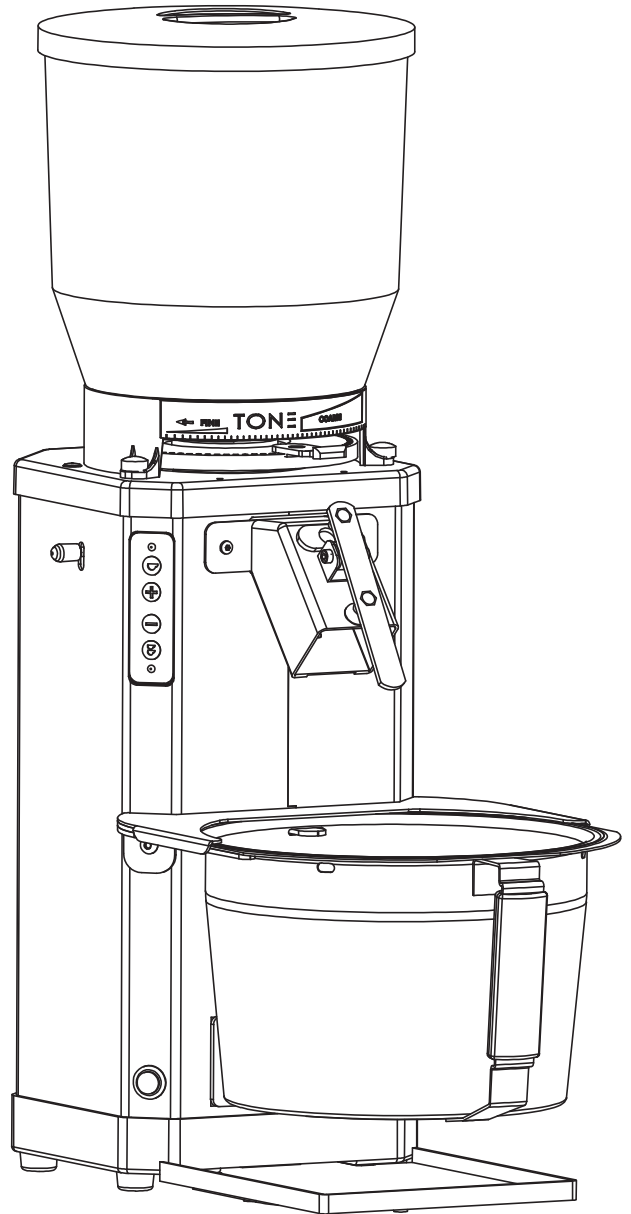
ANFIM Srl
Via B. Verro, 33/5 - 20141 - MILANO ITALY
Tel. (+39) 02/8465054 - Fax. (+39) 02/8464401
e-mail: info@anfim.it web site: www.anfim.it

● **INSTRUCTION MANUAL**

Model

CDR - BRW

● **COFFEE GRINDER**



Authorized Reseller

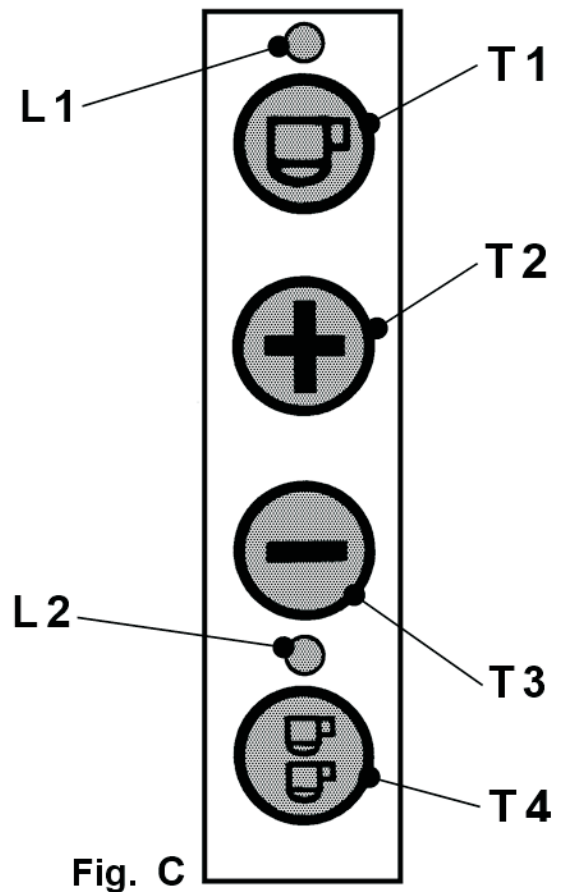
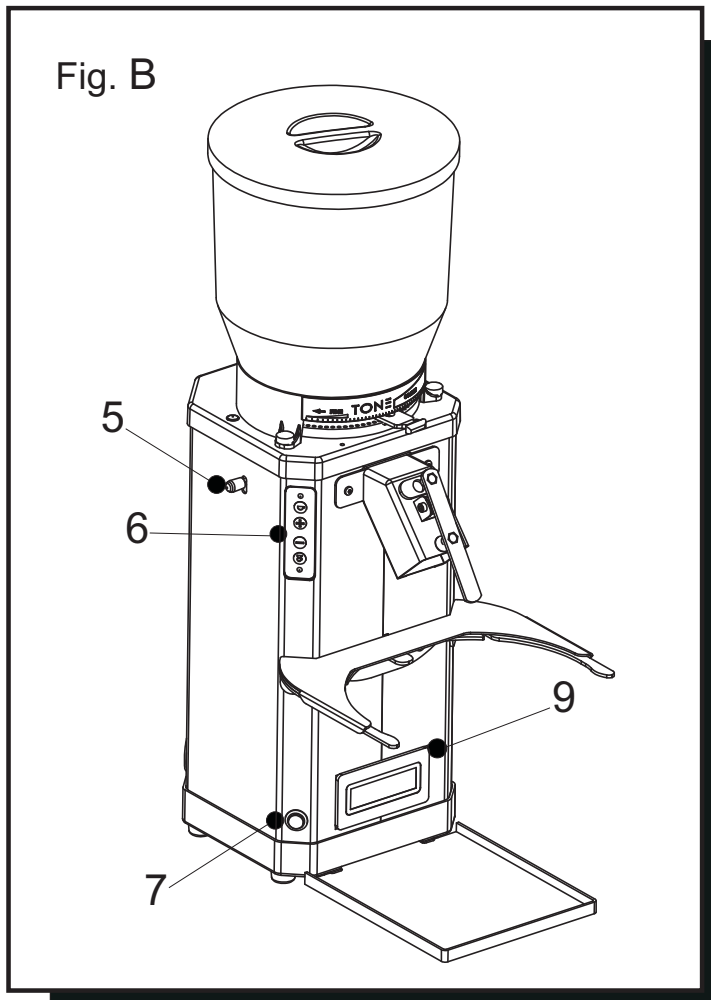
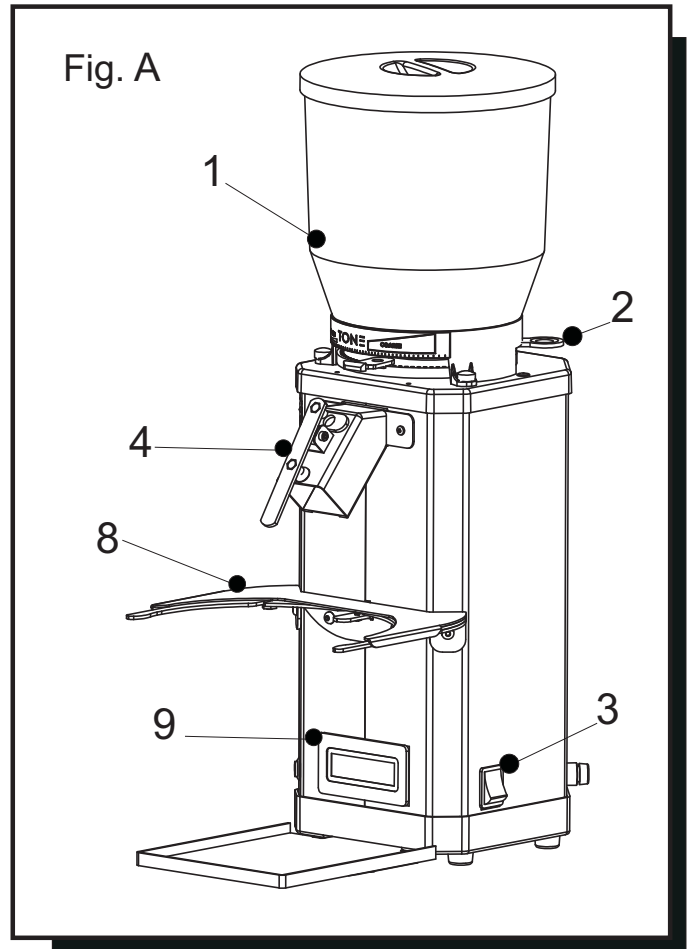


CDR - BRW



Model
CDR - BREWER

CDR - BRW



Appliance Disposal

This device, like all electrical products, must be disposed separately from municipal sorted waste, at specific collection points designated by the local council.



1. General instructions

Read this instruction manual carefully before using the coffee grinder. The installation of the coffee grinder must be done by qualified personnel. The manufacturer cannot be held responsible for changes made by the user to the appliance and for accidental damages arising from installations and/or utilizations different from those mentioned in these instructions. The producer reserves the right to change without prior notice the characteristics of the equipment presented in this instructions.

1.1 Appropriate use

The coffee grinder was designed and built to allow grinding and the wanted dosing of the coffee directly into the filter holder.

1.2 Improper use

Any kind of usage different from what is described in paragraph 1.1 is considered improper and therefore unauthorized; the manufacturer refuses all responsibility for damages arising from improper use of the coffee grinder described in this instruction manual.

1.3 Safety standards

Do not use the coffee grinder without fixing the coffee beans container to the frame using the provided manual.

Always unplug the coffee grinder before cleaning.

➔ **Do never immerse the coffee grinder in water and/or other liquids.**

- ➔ The appliance is not to be used by persons (including children) with reduced physical, sensory or mental capabilities, or lack of experience and knowledge, unless they have been given supervision or instruction;
- Children being supervised not to play with the appliance;
 - This appliance can be used by children aged from 8 years and above if they have been given supervision or instruction concerning use of the appliance in a safe way and if they understand the hazards involved.
 - Cleaning and user maintenance shall not be made by children unless they are older than 8 and supervised.
 - Keep the appliance and its cord out of reach of children aged less than 8 years.
 - Appliances can be used by persons with reduced physical, sensory or mental capabilities or lack of experience and knowledge if they have been given supervision or instruction concerning use of the appliance in a safe way and understand the hazards involved.
 - Children shall not play with the appliance.

2. Transport

2.1 Packaging



The **ANFIM** coffee grinder is supplied in a special card-board package; each package contains:

- Coffee grinder,
- Instruction manual,
- Evidence of Conformity.

2.2 Handling of the appliance

The coffee grinder do not need special tools for it operating
It can be operated manually.

2.3 Storage

The coffee grinder must be stored in a dry place, protected by its original packaging. The storing temperature must be comprised between -10 /+40 °C.

3. Description of the appliance

3.1 Description of the appliance

The coffee grinder has been developed and built to comply with a modern environment of a coffee shop making life easy and convenient for the barista to grind and dose coffee into a porta-filter in order to prepare a cup of coffee.

Description of coffee grinder

Housing panel powder coated.

Hardened steel or **Titanium coated (optional)** grinding discs.

Hopper for coffee beans.

Discharge tube for delivery of ground coffee into porta-filter.

Power supply in conformity with 2006/95/EEC Directives.

Control unit for programming coffee dose.

- 1 - Coffee bean hopper
- 2 - Hopper slide
- 3 - Illuminated ON/OFF switch
- 4 - Dispenser spout
- 5 - Grind adjustment
- 6 - Touch panel
- 7 - Switch Barista mode
- 8 - Multiple filter holder fork
- 9 - Bright control Display

3.3 Emergency stop

In compliance with the safety article indicated in the EN 418 standards, the coffee grinder is not equipped with an emergency stop because this function is provided by the illuminated **ON/OFF** switch. **(3)**

3.3 Table of specifications

| TYPE | CDR - BRW |
|------------------|---------------------|
| Height: | 620 mm |
| Width: | 230 mm |
| Depth: | 360 mm |
| Power: | 900 W |
| Noise level: | < 70 dB (A) |
| Blades diameter: | 75 mm. - SP ANFIM ® |
| Weight: | 17 Kg |

4. Installation of the appliance

4.1 Installation of the appliance

The coffee grinder must be placed on a flat solid, and dry surface.

4.2 Connecting the appliance to the mains

Single-phase 220 V. version

The coffee grinder is supplied with an electric cord and a moulded plug and must be connected only by an authorized electrician to a power socket (max. rating 15A) that is in compliance with the data printed on the serial number plate of the grinder located either on the rear side or on the bottom plate of the grinder.



WARNING:

The electric installation to which the coffee grinder will be connected must be in compliance with the law in force.

The manufacturer refuses all responsibility for damages and injuries to persons that might occur due to improper installation and/or improper electric power installation not in compliance with local safety standards.

5. Using the appliance

5.1 Instructions for use

A) Fill the hopper with fresh coffee beans (max. capacity is approx. 2kg).

B) Open the hopper slide. (2)

C) Turn the ON/OFF switch on (3). It will light up and coffee grinder is now ready for operation. The display will show "DOSE 1 CUP or "DOSE 2 CUPS" according to last selection.

D) Grind coffee doses

Insert porta-filter in the multiple filter holder and choose:

- To select and dispense with time one, press **T1**, **L1** will light up and delivery will start (Fig. C)
- To select and dispense with time two, press **T4**, **L2** will light up and delivery will start (Fig. C)

The grinder can be only to operate by the touch panel to start the cycle.

- Insert porta-filter first every time and then touch T1 or T4 accordingly to grind coffee for times **1** or **2**. The grinder will grind full dose, none interruption will be possible.

| Default settings | | CDR - BRW |
|-------------------------|--------------|------------------|
| Dosing time on Key one: | 90 g | 15 seconds |
| Dosing time on Key two: | 180 g | 30 seconds |

5.2 User Menu / Programming Mode – change grinding time

- Push and hold **T1** or **T4** for approx. **5 sec** (Fig. C) until led **L1** or **L2** are flashing.
- Select **T1** or **T4** to change own grinding time – Led will flash.
- To increase or decrease time by **1 sec** push **T2** or **T3** accordingly. Set time will appear on display.
- Press **T1** or **T4** again to change grinding time by **1/10 sec**. To increase or decrease time by **1/10 sec**. push **T2** or **T3** accordingly. Set time will appear on display.
- To save adjusted time and exit, press **T1** or **T4** accordingly. Led **1** and **2** will stop flashing. Led of selected dose will light-up. Grinder is ready for use and display will show time for dosing **1** or time for dosing **2**. Led **1** and **2** will stop flashing. Led of selected dose will light-up.
- To exit the Programming Mode, press **T1** or **T4** twice.

Grinder is ready for use and display will show time **1** or time **2**.

By pushing the Barista Mode switch **7** (Fig. B), it is possible to run the grinder manually. The same function can be used to dose manually or to run the grinder in case the electronic controls are down.

5.3 Special Functions / Set-up and maintenance menu

The set-up and maintenance menu is reserved for authorised Anfim partners and/or service dealers only to:

- verify the number of shots ground for 1 and 2 doses
- change the language of the menu
- to set and re-set the counter for replacement of grinding discs (alarm message)
- to re-set the counter for 1 cup and 2 cups (history counter cannot be re-set)

To check the number of shots for 1 and 2 cups, proceed as follows:

- Press T1 for approx. 10 sec until display shows the number of shots for 1 Cup.
- Press T1 again to illustrate the number of shots for 2 Cups.
- Press T1 again to exit and return to operation mode.

To change the language, proceed as follows:

- Turn ON/OFF switch while holding T1 and T4 keys for about 5 sec.
- Press again T1 (skip contrast adjustment). The display will now show the language options to choose from.

Press T2 and T3 to select and then press T4 to store and exit.

To set or re-set the warning message and counter for the warning message for replacement of grinding discs, proceed as follows:

- Turn on ON/OFF switch while holding T1 and T4 keys for approx. 5 sec.
- Press again T1 (to skip contrast adjustment), press again T1 (to skip language selection) until display shows "Life Cycle Discs".
- To set the number of shots, please press T2 to increase and T3 to decrease the numbers. Each digit must be set separately by pressing T1.
- To safe and exit press T4. Grinder is ready for operation again.

Please note that default settings for the life span of grinding discs are:

- **100'000** cups for original Anfim grinding discs made of steel
- **400'000** cups for original Anfim grinding discs Titanium coated

- To reset warning message, switch off grinder and press T2 and T3. While keeping them pressed, switch on grinder and wait until "Please wait Reset Counter" appears on display.
- Release T2 and T3. Warning message is reset and grinder returns to operation mode again.

To re-set both counters for time/dose 1 and time/dose 2, proceed as follows:

Grinder is switched on.

- Press **T1** for approx. **10 sec** until display shows the total number of **1 Cups**.
- Press keys **T2** and **T3** constantly until display shows "**Please Wait - Resetting**".

Counters for both 1 and 2 dose/time are now re-set. Grinder returns to operation mode.

5.4 Adjusting grind setting

Basic calibration is done in the factory. To adjust the grind setting during operation, proceed as follows:

- Lower the knob (5, Fig. B) turn clockwise to set the grind setting finer.
- Lower the knob (5, Fig. B) turn counter-clockwise to set the grind setting coarser.

Please note that grind setting should be adjusted:

- finer in case of low humidity
- coarser in case of high humidity

5.5 Emergency stop

In case of emergency, switch-off ON/OFF switch (3, Fig. A) and the coffee grinder stops immediately.

6. Maintenance

6.1 Safety standards



WARNING: Disconnect the coffee grinder from the mains before performing any maintenance operation.

- Do not insert fingers or other objects in the entry hole of the blades or in the outlet of the ground coffee.
- Do not put ground coffee in the hopper.
- Do not immerse the coffee grinder in water and/or other liquids (solvents, detergents, and so on).

In any case, always refer to the Customer Service Centre of ANFIM.

When the machine is not in use (outside normal working hours/when closed during holidays, etc.) always switch off the illuminated ON/OFF switch (3).

6.2 Appliance cleaning



WARNING:

Regular cleaning once a week helps to preserve the unique aroma and taste of your coffee and to avoid accumulation of oils and coffee dust in the hopper and on the grinder.

Cleaning Instructions:

- a) Disconnect the coffee grinder from the mains
- b) Clean the empty hopper with a dry soft cloth (in- & outside)
- c) Clean the discharge tube (4, Fig. A) with a soft brush and wipe off any grounds inside the tube
- d) Wipe off coffee powder or other dirt from the grinding housing by using a dry soft cloth
- e) Connect the coffee grinder to the mains

6.3 Scheduled inspections

It is recommended to check the grinder at least once every 6 months to make sure it performs the best possible way ensuring a perfect grind and dosing consistency. Contact your nearest authorised Anfim Service Centre for more information.

- a) Check grind setting and adjust 2-3 a day, if necessary.
- b) Ask your nearest Anfim service dealer to check the grinding discs for wear & tear and have them replaced after grinding 600-800kg (Anfim steel discs).
- c) Ask your nearest Anfim service dealer to check for regular wear & tear and to replace worn parts, in case of need.

8. Servicing

8.1 Instructions for service request

All technical interventions must only be performed by authorized personnel of Anfim or one of its authorized service dealers.

ANFIM Srl

Via B. Verro 33/5 - 20141 MILANO - ITALY
Tel. (+39) 02/8465054 - Fax. (+39) 02/8464401

DECLARATION OF CONFORMITY

The undersigned **ANFIM** Via B.Verro, 33/5 - 20141 Milan – Italy, declares, on its own responsibility that the coffee grinder with electronic dosing system,

Model. **C D R - B R W** Serial-number

to which this declaration refers, is in compliance with the following standards or other corresponding documents: **EN ISO 12100, IEC 60335-2-64, IEC 60335-1**, according to what is provided for by the **2006/42/CEE** directive.

MILAN, 10 October 2019

ANFIM Srl

