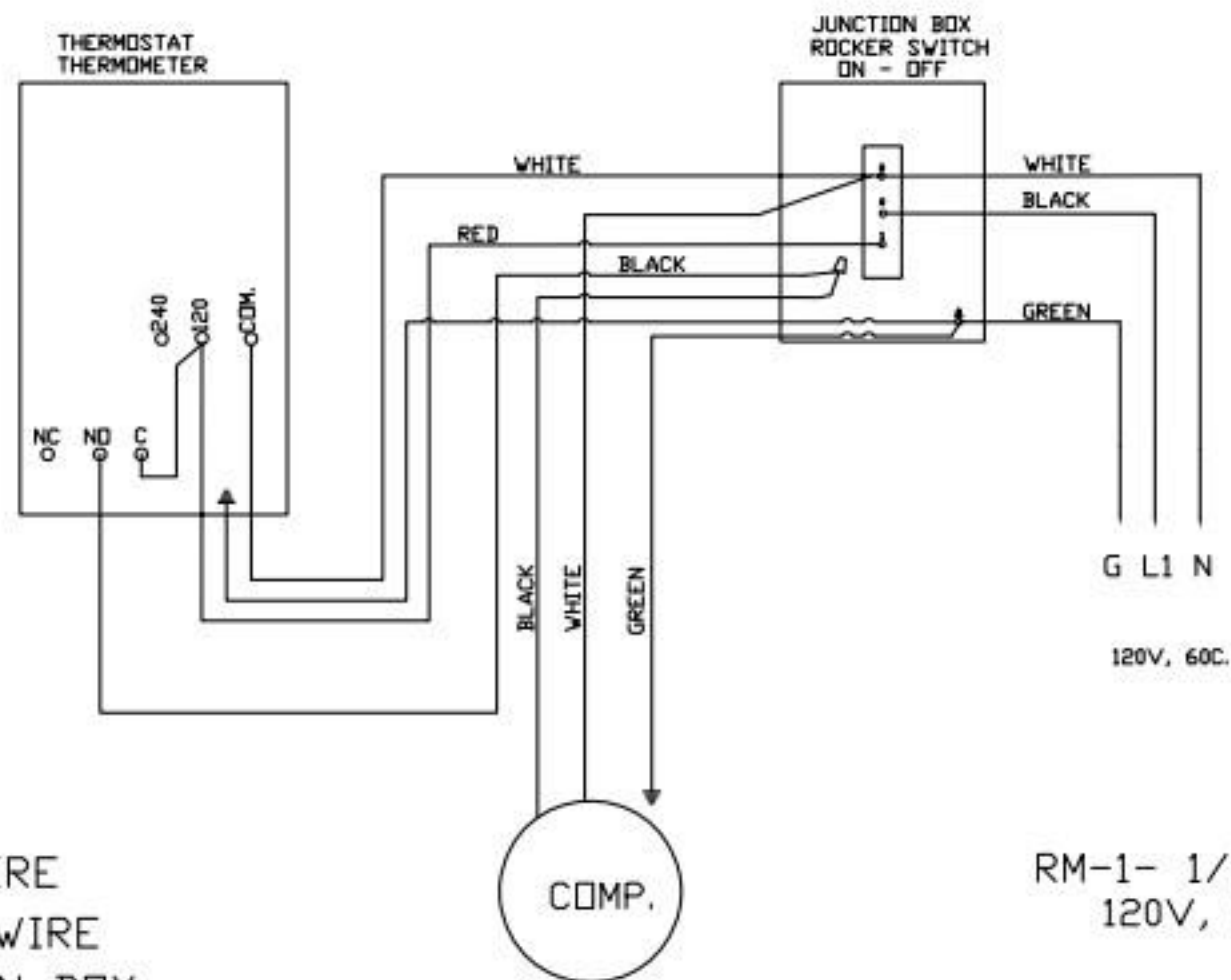


RM-1- ELECTRIC HOOK UP



RM-1-
 WIRE NUT TOGETHER BLACK WIRE
 FROM THERMOSTAT TO BLACK WIRE
 FROM COMPRESSOR IN JUNCTION BOX

RM-1- 1/5 H.P.
 120V, 60C.

These plans are the exclusive property of Atlas Metal Industries Inc. Any unauthorized use without written consent of Atlas Metal Industries Inc., is strictly prohibited.

ATLAS METAL INDUSTRIES, INC.
 1135 NW 159TH DRIVE MIAMI, FLORIDA 33169

REVISION CHANGES	
DATE:	DESCRIPTION:

DATE: **03-28-00**
 DRAWN BY: **MHA**
 CHECKED BY: **N.SANZ**

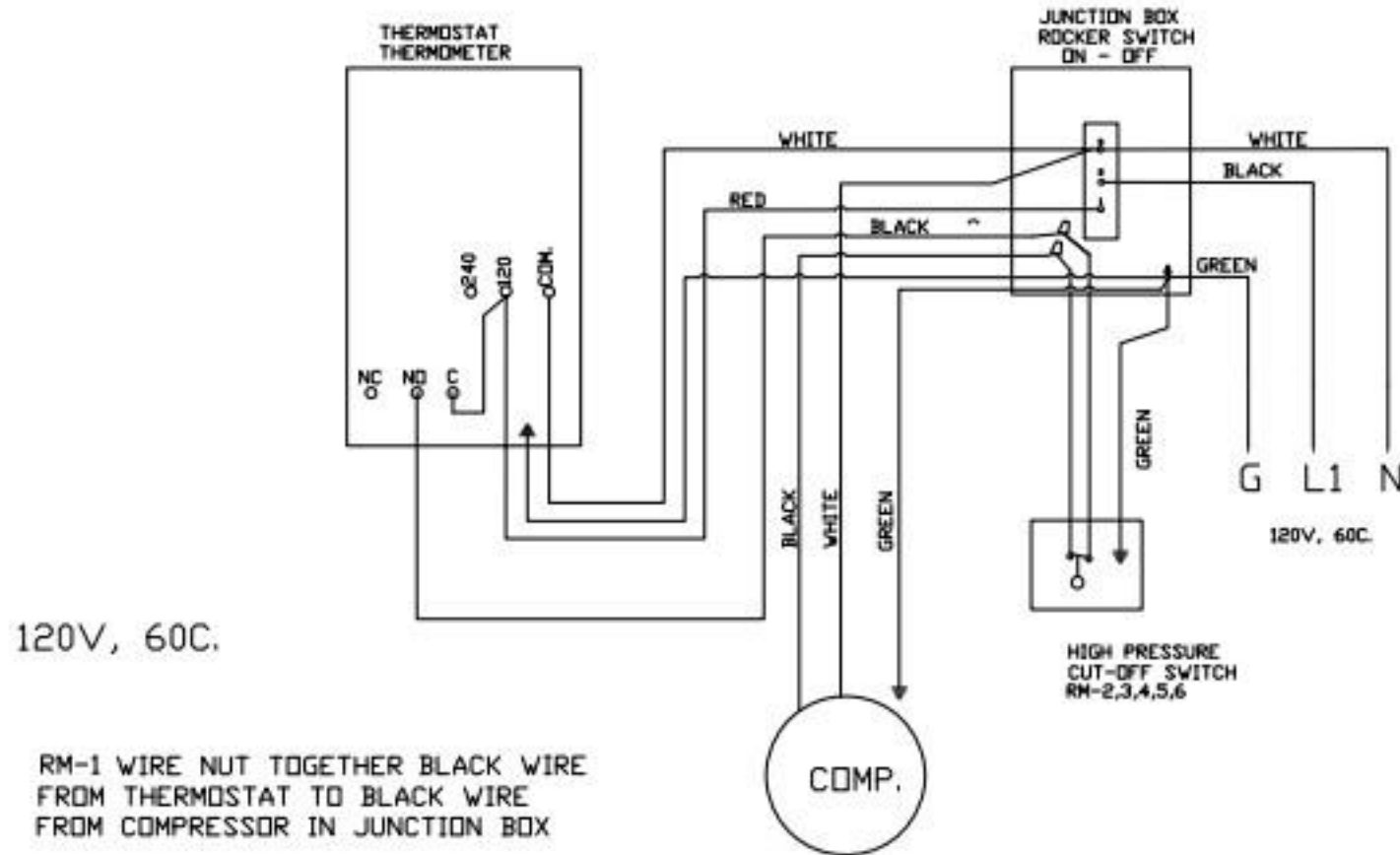
RM-1 ELECTRICAL SCHEMATIC
120VOLTS (1) PHASE
 DRAWING No. **RM-1 ELECTRICAL SCHEMATIC**
 SCALE **3/4"=1'**
 SHEET NO. **1 of 1**

RM1-2-3-4-5-6 ELECTRIC HOOK UP

RM-1 DO NOT TAKE HIGH PRESSURE CUT OFF

RM-2-3-----1/4H.P.
 RM-4-----1/3H.P.
 RM-5-6-----1/2H.P.

RML-2-3-----1/4H.P.
 RML-4-----1/3H.P.



120V, 60C.

RM-1 WIRE NUT TOGETHER BLACK WIRE FROM THERMOSTAT TO BLACK WIRE FROM COMPRESSOR IN JUNCTION BOX

RM-2-3-4-5-6 FOLLOW DIAGRAM

These plans are the exclusive property of Atlas Metal Industries Inc. Any unauthorized use without written consent of Atlas Metal Industries Inc., is strictly prohibited.



ATLAS METAL INDUSTRIES, INC.
 1135 NW 159TH DRIVE
 MIAMI, FLORIDA 33169

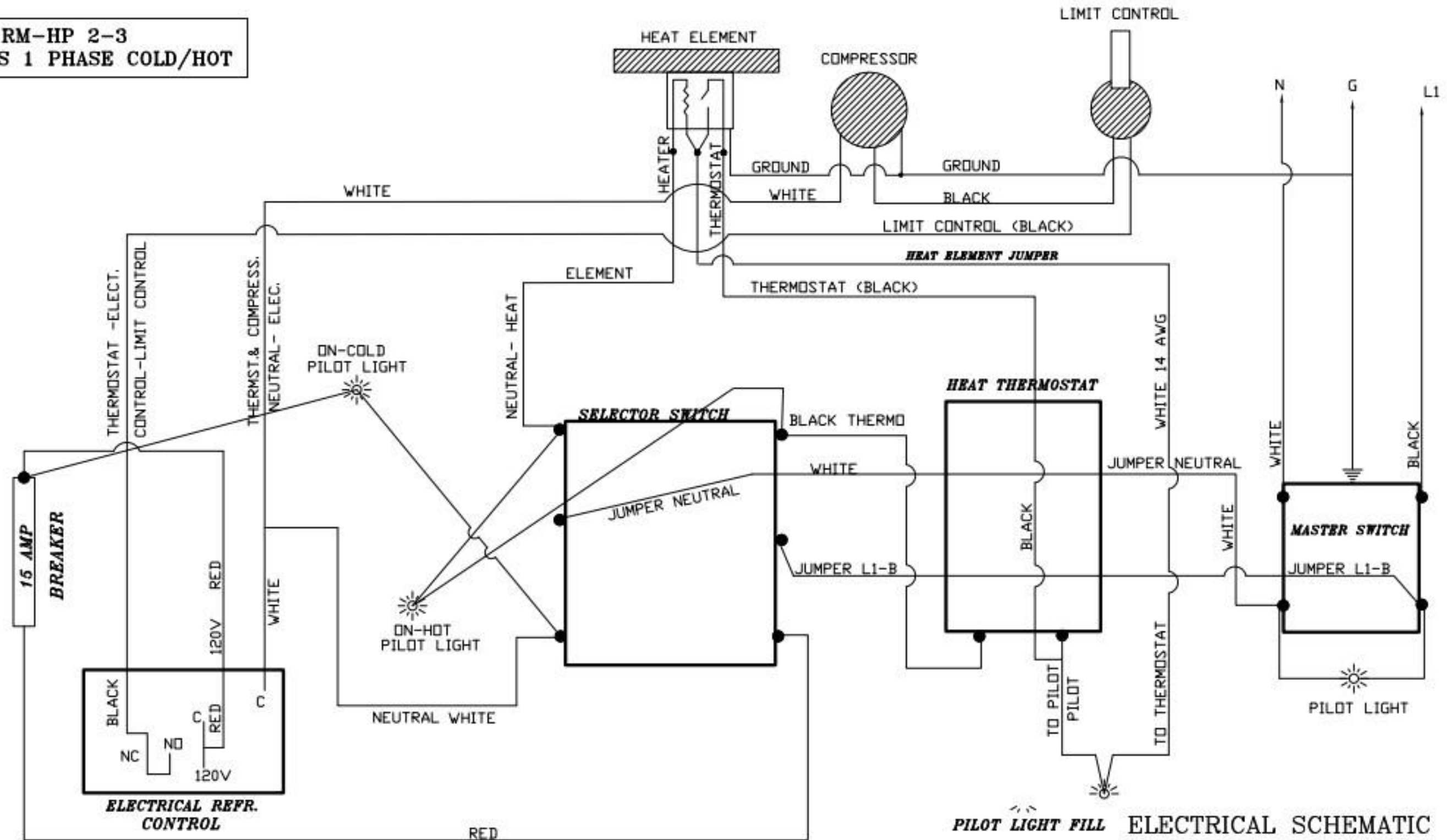
REVISION CHANGES	
DATE:	DESCRIPTION:

DATE: **03-28-00**
 DRAWN BY: **MHA**
 CHECKED BY: **N.SANZ**

RM-2-3-4-5-6 ELECTRICAL SCHEMATIC
120VOLTS (1) PHASE
 DRAWING No. **RM-2 ELECTRICAL SCHEMATIC**
 SCALE **3/4"=1'**
 SHEET NO. **1 of 1**

RM-HP-2/3-----1/4 H.P. 2000W

RM-HP 2-3
120/120 VOLTS 1 PHASE COLD/HOT



These plans are the exclusive property of Atlas Metal Industries Inc. Any unauthorized use without written consent of Atlas Metal Industries Inc., is strictly prohibited.

ATLAS METAL INDUSTRIES, INC.
1135 NW 159TH DRIVE MIAMI, FLORIDA 33169

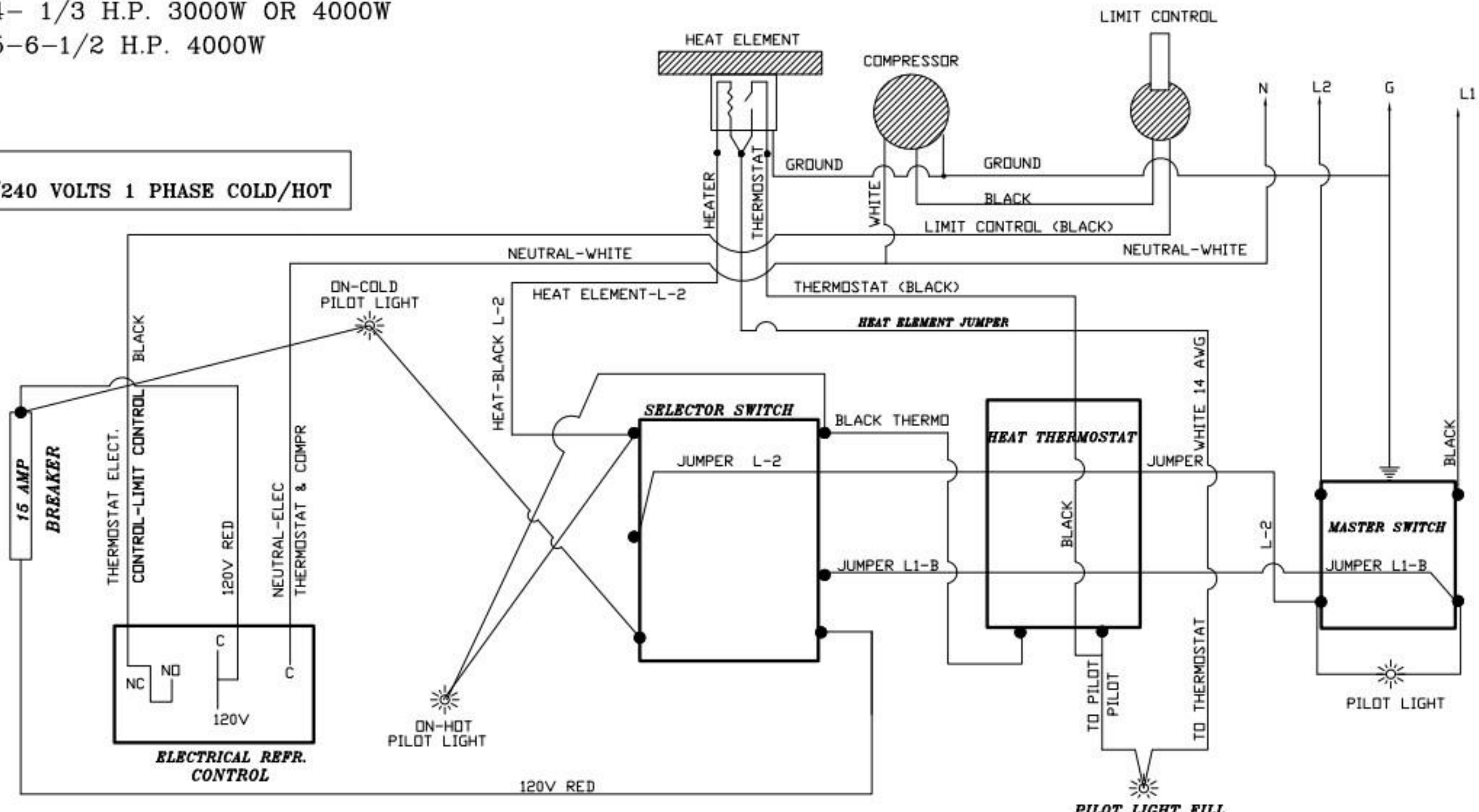
REVISION CHANGES		DATE:
DATE:	DESCRIPTION:	12-1-09
9-2-10	UPDATED MHA (NEW SELECTOR SWITCH)	DRAWN BY: MHA
6/2/14	MOVED PILOT LIGHT DM	CHECKED BY: N.SANZ

RM-HP 2-3-----120/120V

DRAWING No. RM-HP-2-3 ELECTRICAL SCHEMATIC
SCALE 3/4"=1"
SHEET NO. 1 of 1

RM-HP-2- 1/4 H.P. 3000W
 RM-HP-3- 1/4 H.P. 3000W
 RM-HP-4- 1/3 H.P. 3000W OR 4000W
 RM-HP-5-6-1/2 H.P. 4000W

120/208/240 VOLTS 1 PHASE COLD/HOT



ELECTRICAL SCHEMATIC

These plans are the exclusive property of Atlas Metal Industries Inc. Any unauthorized use without written consent of Atlas Metal Industries Inc., is strictly prohibited.



ATLAS METAL INDUSTRIES, INC.
 1135 NW 159TH DRIVE
 MIAMI, FLORIDA 33169

REVISION CHANGES	
DATE:	DESCRIPTION:
8-2-11	UPDATED D.M.
6/2/14	MOVED PILOT LIGHT D.M.

DATE: 8-2-11
 DRAWN BY: D.M.
 CHECKED BY: N.SANZ

RM-HP 2-3-4-5-6
 120/208/240V
 DRAWING No. RM-HP-3-4 ELECTRICAL SCHEMATIC
 SCALE 3/4"=1'
 SHEET NO. 1 of 1