

**MACINADOSATORE - COFFEE GRINDER
MOULIN A CAFÉ - KAFFEEMÜHLE**

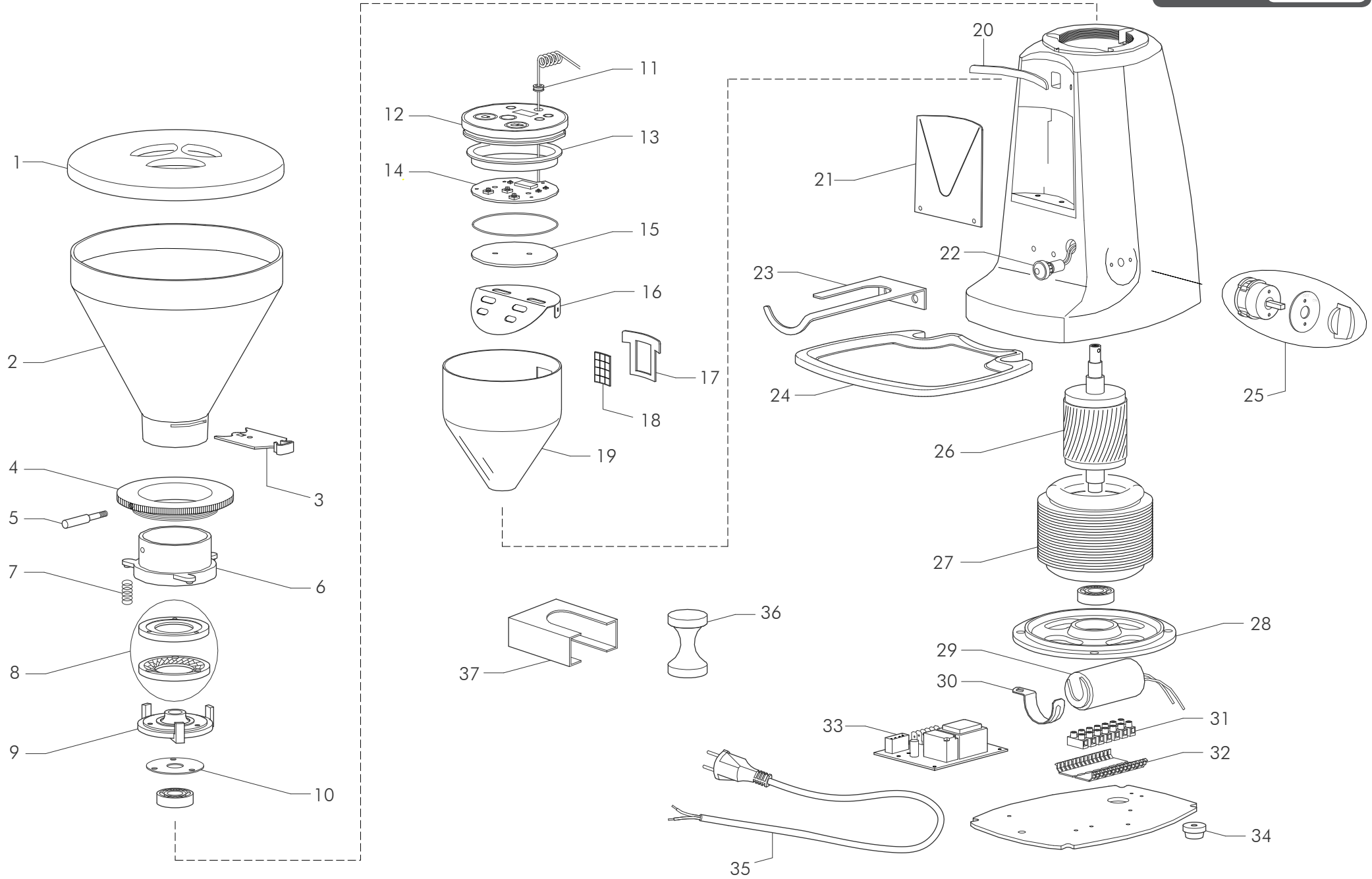
-M- ELECTRONIC

Parti di ricambio - Spare parts - Pieces detachees - Ersatzteilkatalog

Code	Description	Page	Rev.	Date
	Macinadosatore - Coffee grinder - Moulin a café - Kaffeemühle			
MZE-01	SUPER JOLLY	2	00	07/2014
MZE-02	MAJOR	5	00	07/2014
MZE-03	ROBUR	8	00	07/2014
MZE-04	MINI	12	00	07/2014

Astoria[®]

Think espresso.

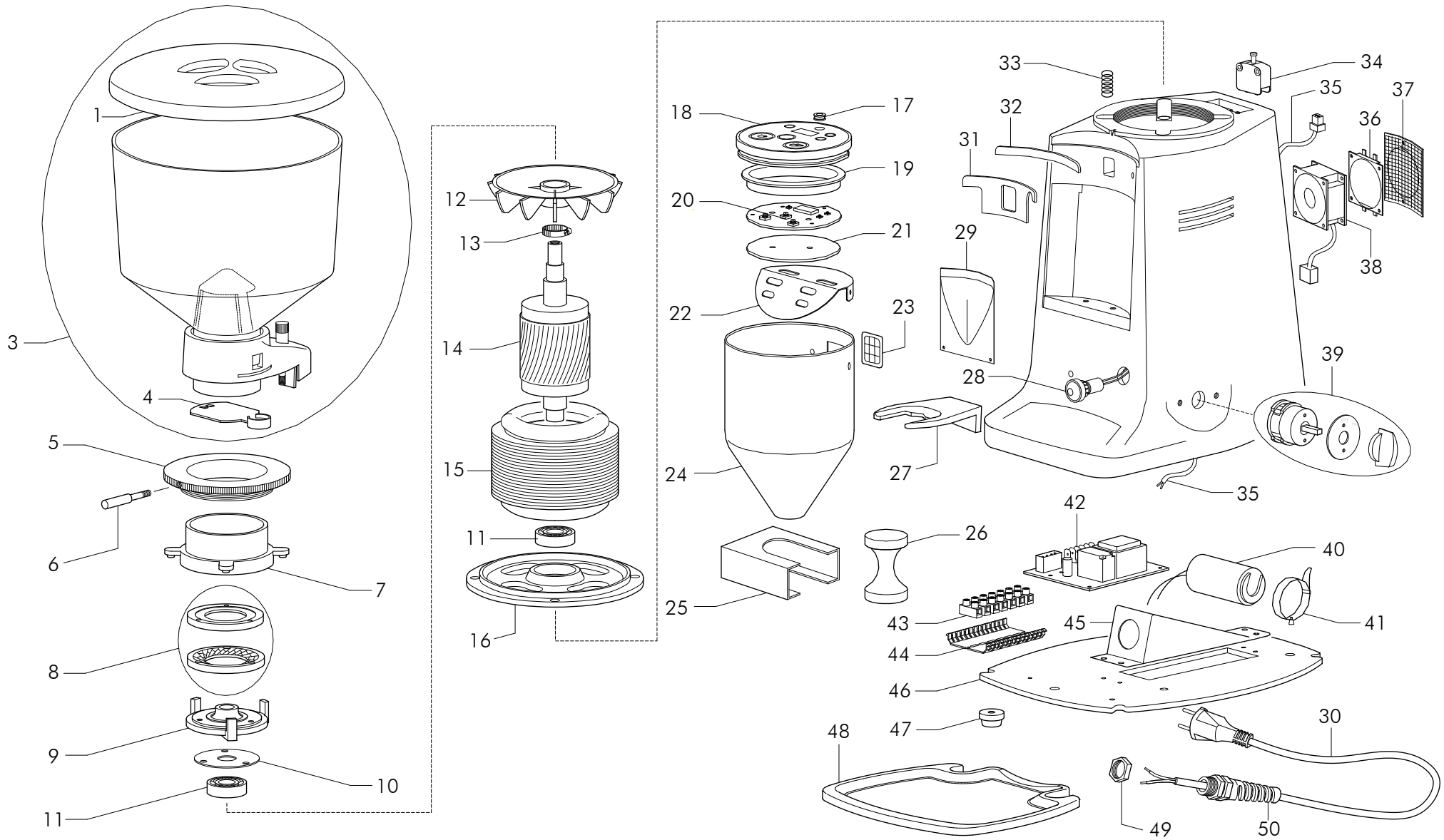


SUPER JOLLY

Pos	Code	Denominazione - IT -	Denomination - EN -	Denomination - FR -	Denomination - DE -
1	28053001	COPERCHIO TRAMOGGIA MACININO	COFFEE GRINDER HOPPER LID	COUVERCLE TREMIE MOULIN	TRICHTERDECKEL DER KAFFEEMUHLE
2	28351	TRAMOGGIA PLEXIGLASS M2 Kg.1	COFFEE GRINDER PLEXIGLASS HOPPER M2	TREMIE PLEXIGLASS M2	PLEXIGLASS TRICHTER M2
3	28326013	SERRANDA CAMPANA	HOPPER CLOSURE	VOLET CLOCHE	VERSCHLUSS FUER GLOCKE
4	28157	GHIERA REGOLAZIONE MACINATURA M6	GRINDING CONTROL RING NUT M6	EMBOUT REGULATION MOUTURE M6	ZWINGE FUR MAHLENREGELUNG M6
5	28360012	PERNO GHIERA M39	METAL RING PIVOT M39	GOUJON EMBOUT	ZWINGE DUBEL
6	28360011	PORTAMACINE SUPERIORE M8 SJ	UPPER GRINDSTONES HOLDER M8 SJ	PORTE-MEULES SUPERIEURE M8 SJ	OBERER MUHLEHALTER M8 SJ
7	28233	MOLLA DI REGOLAZIONE MACINATURA M12	SPRING FOR GRINDING CONTROL M12	RESSORT DE REGULATION MOUTURE M12	FEDER FUR MAHLENREGELUNG M12
8	28213002	MACINE SJ FMA00033M	GRINDSTONES SJ	MEULE SJ	MUHLE SJ
9	28253	PORTAMACINE INFERIORI M10	LOWER GRINDSTONES HOLDER M10	PORTE-MEULES INFERIEURES M10	UNTERMUHLEHALTER M10
10	28070007	COPRICUSCINETTO SSJ0COA01	COVER BEARING	PROTECTION COUSSINET	SCHUTZBUCHSE
11	28530114	PASSACAVO IN GOMMA S000PAB05 MAC.M	CABLE LOCKING S000PAB05 MAC.M	PASSE-CABLE S000PAB05 MAC.M	LIPPKLAMPE S000PAB05 MAC.M
12	28530116	COPERCHIO PORTA PULSANTI CON DISPLAY	PUSH BUTTON HOLDER LID WITH DISPLAY	COUVERCLE CLAVIER AVEC DISPLAY	DECKEL MIT DISPLAY S000COG02 MAC.M
13	28530117	GUARNIZIONE COPERCHIO PORTA PULSANTI	GASKET PUSH BUTTON HOLDER LID	JOINTS COUVERCLE CLAVIER	DICHTUNG DECKEL MIT DISPLAY
14	28530118	SCHEDA PULSANTI CON DISPLAY	CARD FOR PUSH BUTTON WITH DISPLAY	CARD BUTTONS AVEC DISPLAY	CARD TASTEN MIT DISPLAY S000SPU03 MAC.M
15	28530119	FONDO COPERCHIO PORTA PULSANTI	BOTTOM FOR PUSH BUTTON LID MAC.M	FONDS COUVERCLE S000FOC00 MAC.M	BODEN DECKEL S000FOC00 MAC.M
16	28530120	PROTEZIONE USCITA CAFFE' S000PRB02 MAC.M	COFFEE OUTLET GUARD S000PRB02 MAC.M	PROTECTION EXIT CAFFE S000PRB02 MAC.M	SCHUTZ EXIT COFFEE S000PRB02 MAC.M
17	28400004	GUARNIZIONE AER-STOP S000GUA01	GASKET AER-STOP	JOINT AER-STOP	DICHTUNG AER-STOP
18	28530153	RETINA PASSAGGIO CAFFE' TIPO E	GRID COFFEE S000RET05 MAC.M	FILET CAFFE S000RET05 MAC.M	NETZ CAFFEE S000RET05 MAC.M
19	28530154	IMBUTO H146 S000IMB07 MAC.M	FUNNEL H146 S000IMB07 MAC.M	ENTONNOIR H146 S000IMB07 MAC.M	TRICHTER H146 S000IMB07 MAC.M
20	28530108	GUARNIZIONE SUPERIORE BOCCHETTA S000GUA03	UPPER GASKET S000GUA03 MAC.M	JOINT SUPERIEUR S000GUA03 MAC.M	UPPER GASKET S000GUA03 MAC.M
21	28530140	FRONTALE COPRIMOTORE SSJ0FRA04 MAC.M	MOTOR COVER	COUVERTURE DE MOTEUR	MOTOR FRONT COVER
22	28258005	LAMPADINA SPIA 230-400V VERDE S000LAA06	GREEN WARNING LIGHT 230-400V	LAMPE TEMOIN VERTE 230-400V	GRUNE KONTROLLAMPE 230-400V
22	28258006	LAMPADINA SPIA 110V UL ROSSA S000LAA07	RED WARNING LIGHT 110V UL	LAMPE TEMOIN ROUGE 110V UL	GRUNE KONTROLLAMPE 110V UL
23	28530131	FORCELLA S000FOB15 MAC.M	COFFEE GRINDER FORK SMJ0FOB13 MAC.M	FOURCHETTE x MOULIN SMJ0FOB13 MAC.M	GABEL x KAFFEEMUHLE SMJ0FOB13 MAC.M
24	28262005	PIATTINO SJ-MJ MAC.MZ	SMALL TRAY SJ-MJ MZ	PLATEAU SJ-MJ	PLATTE SJ-MJ
25	28167	INT.ROTAT.MAC.MAN.M. S10000INA03	MANUAL COFFEE GRINDER SWITCH	INTERRUPTEUR MOULIN MANUEL	SCHALTER FUR HANDKAFFEEMUHLE
26	28281	ROTORE MACININO M31	COFFEE GRINDER ROTOR M31	ROTOR MOULIN M31	KAFFEEMUHLE ROTOR M31
27	28306000	PACCO STATORE MAC.SJ AVV.110/60 ETL	WINDING STATOR 110/60 ETL	STATOR ENROULE 110/60 ETL	GEWICKELTER STATOR 110/60 ETL
27	28310	STATORE AVVOLTO 220V M32a	WINDING STATOR 220V M32a	STATOR ENROULE 220V M32a	GEWICKELTER STATOR 220V M32a
28	28040001	CALOTTA MOTORE SSJ0CAB02	MOTOR CAP	CALOTTE MOTEUR	MOTOR KAPPE
29	19055	CONDENSATORE MACIN.x220V 8mF M34a	COFFEE GRIND.CAPACIT.x220V 8mF M34a	CONDENSAT.M.DOSEURx220V 8mF M34a	KAFFEEMUHLE KONDENS.x220V 8mF M34a
29	19056	CONDENSATORE MACIN.x110V 30mF M34c	COFFEE GRIND.CAPACIT.x110V 30mF M34c	CONDENSAT.M.DOSEURx110V 30mF M34c	KAFFEEMUHLE KONDENS.x110V 30mF M34c
30	28258018	GRAFFA ZINCATA FR40 S000GRB05	CABLE GRIP FR40	PRESSE-CABLE FR40	PRESSEKABEL FR40
31	28342001	MORSETTIERA P000MOA04	TERMINAL BOARD	PLAQUE A BORNES	KLEMMLEISTE
32	28318000	SOTTOMORSETTIERA P000SOT02	LOWER TERMINAL BOARD	PLAQUE A BORNES INFERIEUR	UNTER KLEMMLEISTE
33	28530128	SCHEDA TIMER DOPPIO 220-240V	BOARD FOR DOUBLE TIMER 220-240V	CARTE TIMER 220-240V S000SCT06 MAC.M	KARTE TIMER 220-240V S000SCT06 MAC.M
33	28530129	SCHEDA TIMER DOPPIO 100-115V	BOARD FOR DOUBLE TIMER 100-115V	CARTE TIMER 100-115V S000SCT07 MAC.M	KARTE TIMER 100-115V S000SCT07 MAC.M
34	28258	PIEDINO DI APPOGGIO M29	BEARING FOOT M29	PIED DE SUPPORT M29	STUTZFUSS M29

SUPER JOLLY

Pos	Code	Denominazione - IT -	Denomination - EN -	Denomination - FR -	Denomination - DE -
35	28054014	CAVO ELETTRICO "ITALIA" S000CAD01	ELECTRIC CABLE "ITALY"	CABLE ELECTRIQUE "ITALIE"	KABLE "ITALIEN"
35	28054017	CAVO ELETTRICO "EUROPA" S000CAD04	ELECTRIC CABLE "EUROPE"	CABLE ELECTRIQUE "EUROPE"	KABLE "EUROPA"
35	28054019	CAVO ELETTRICO "AUSTRALIA" S000CAD07	ELECTRIC CABLE "AUSTRALIA"	CABLE ELECTRIQUE "AUSTRALIE"	KABLE "AUSTRALIEN"
35	28054020	CAVO ELETTRICO "INGHILTERRA" S000CAD08	ELECTRIC CABLE "ENGLAND"	CABLE ELECTRIQUE "ANGLETERRE"	KABLE "ENGLAND"
35	28054021	CAVO ELETTRICO "ISRAELE" S000CAD10	ELECTRIC CABLE "ISRAEL"	CABLE ELECTRIQUE "ISRAEL"	KABLE "ISRAEL"
35	28054022	CAVO ELETTRICO "SVIZZERA" S000CAD06	ELECTRIC CABLE "SWITZERLAND"	CABLE ELECTRIQUE "SUISSE"	KABLE "SCHWEIZ"
36	28530123	PRESSINO DOPPIO ALLUMINIO D.52,5/57,8	HAND TAMPER DOUBLE D.52,5/57,8	PRESSE CAFFE DOUBLE D.52,5/57,8	EINDRUCKVORRICHTUNG D.52,5/57,8
36	28530124	PRESSINO DOPPIO ALLUMINIO D.52,5/54,5	HAND TAMPER DOUBLE D.52,5/54,5	PRESSE CAFFE DOUBLE D.52,5/54,5	EINDRUCKVORRICHTUNG D.52,5/54,5
37	28530122	SUPPORTO PORTAFILTRO SO0SSUP01 MAC.M	SUPPORT FOR FILTER HOLDER SO0SSUP01	SUPPORT PORTE FILTRE SO0SSUP01 MAC.M	HALTERUNG FILTERHALTER SO0SSUP01 MAC.M

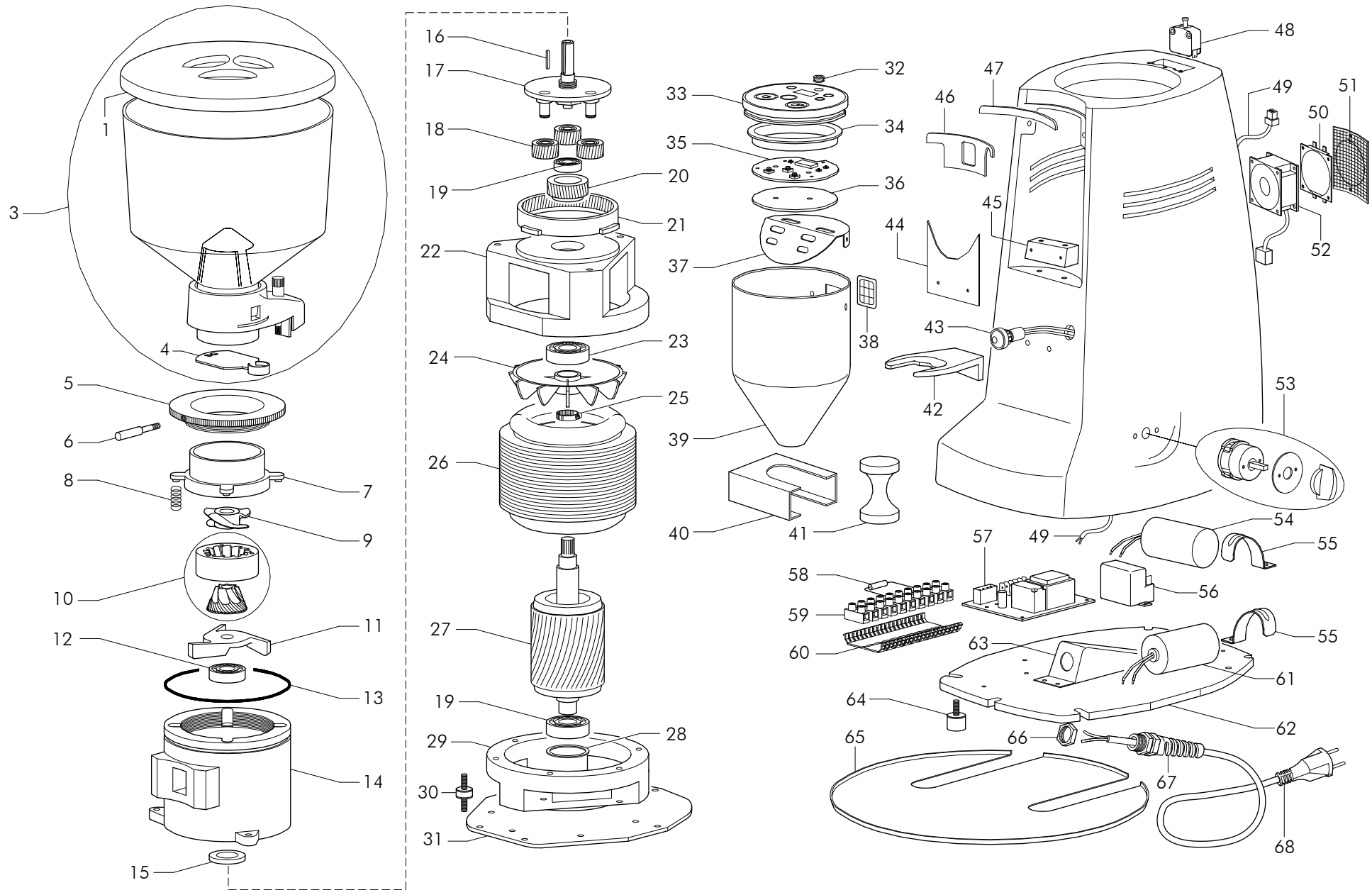


MAJOR

Pos	Code	Denominazione - IT -	Denomination - EN -	Denomination - FR -	Denomination - DE -
1	28053001	COPERCHIO TRAMOGGIA MACININO	COFFEE GRINDER HOPPER LID	COUVERCLE TREMIE MOULIN	TRICHTERDECKEL DER KAFFEEMUHLE
3	28351002	TRAMOGGIA COMPLETA	COMPLETE HOPPER	TREMIS POUR MOULIN	TRICHTER KOMPL. KAFFEEMUHLE
4	28326019	SERRANDA CAMPANA	HOPPER CLOSURE	VOLET CLOCHE	VERSCHLUSS FUER GLOCKE
5	28158	GHIERA REGOLAZIONE MACINATURA M6	GRINDING CONTROL RING NUT M6	EMBOUT x REGLAGE MOUTURE M6	ZWINGE x MAHLENREGELUNG M6
6	28360012	PERNO GHIERA M39	METAL RING PIVOT M39	GOUJON EMBOUT	ZWINGE DUBEL
7	28360030	PORTAMACINE SUPERIORE MJ	UPPER GRINDSTONES HOLDER MJ	PORTE-MEULES SUPERIEURE MJ	OBERER MUHLEHALTER M8 MJ
8	28215	COPIA MACINE MAYOR 230V	GRINDSTONES COUPLE MAYOR 230V	MEULE COUPLE MAYOR 230V	MUHLE 151A PAAR MAYOR 230V
8	28215001	MACINE MAJOR/ROYAL 400V	GRINDSTONES MAJOR/ROYAL 400V	MEULE MAJOR/ROYAL 400V	MUHLE MAJOR/ROYAL 400V
9	28253001	PORTAMACINE INFERIORI MJ M10	LOWER GRINDSTONES HOLDER MJ M10	PORTE-MEULES INFERIEURES MJ M10	UNTERMUHLEHALTER MJ M10
10	28258004	COPRICUSCINETTO MJ	COVER BEARING MJ	PROTECTION COUSSINET MJ	SCHUTZBUCHSE MJ
11	28063	CUSCINETTO SUPERIORE 6204 2RS M11	TOP BEARING 6204 2RS M11	COUSSINET SUP. 6204 2RS M11	OBERHALTER 6204 2RS M11
12	28399	VENTOLA RAFFREDDAMENTO M31	COOLING FAN M31	VENTILATEUR REFROIDIS. M31	LUFTERRAD M31
13	28258009	FASCETTA VENTOLA	FAN CLAMP	COLLIER VENTILATEUR	LUFT SLANGKLEM
14	28268	ROTORE MACININO M33	ROTOR	ROTOR	ROTOR
15	28307	STATORE AVVOLTO MAYOR *UL*110V	WINDING STATOR MAYOR 110V M34e	STATOR ENROULE MAYOR 110V M34e	GEWICKELTER STATOR MAYOR 110V M34e
15	28308	STATORE AVVOLTO MJ 220-240V 50Hz	WINDING STATOR MAJOR 220-240V 50Hz	STATOR ENROULE MAJOR 220-240V 50Hz	GEWICKELTER STATOR MAJOR 220-240 50Hz
15	28308000	STATORE AVVOLTO MJ 220V 60Hz	WINDING STATOR MAJOR 220V 60Hz	STATOR ENROULE MAJOR 220V 60Hz	GEWICKELTER STATOR MAJOR 220V 60Hz
15	28308001	STATORE AVVOLTO MJ TRIFASE 230-400V/50Hz	WINDING STATOR MAJOR 3PH 230-400V 60Hz	STATOR ENROULE MAJOR 3PH 230-400V 60Hz	GEWICKELTER STATOR MAJOR 3PH 230-400V
15	28308002	STATORE AVVOLTO MJ TRIFASE 220V/60Hz	WINDING STATOR MAJOR 3PH 220V 60 Hz	STATOR ENROULE MAJOR 3PH 220V 60Hz	GEWICKELTER STATOR MAJOR 3PH 220V 60Hz
16	28258008	CALOTTA MOTORE SMJOCAM03	MOTOR CAP	CALOTTE MOTEUR	MOTOR KAPPE
17	28530114	PASSACAPO IN GOMMA S000PAB05 MAC.M	CABLE LOCKING S000PAB05 MAC.M	PASSE-CABLE S000PAB05 MAC.M	LIPPKLAMPE S000PAB05 MAC.M
18	28530116	COPERCHIO PORTA PULSANTI CON DISPLAY	PUSH BUTTON HOLDER LID WITH DISPLAY	COUVERCLE CLAVIER AVEC DISPLAY	DECKEL MIT DISPLAY S000COG02 MAC.M
19	28530117	GUARNIZIONE COPERCHIO PORTA PULSANTI	GASKET PUSH BUTTON HOLDER LID	JOINTS COUVERCLE CLAVIER S000GUA04	DICHTUNG DECKEL MIT DISPLAY S000GUA04
20	28530118	SCHEDA PULSANTI CON DISPLAY S000SPU03	CARD FOR PUSH BUTTON WITH DISPLAY	CARD BUTTONS AVEC DISPLAY S000SPU03	CARD TASTEN MIT DISPLAY S000SPU03 MAC.M
21	28530119	FONDO COPERCHIO PORTA PULSANTI S000FOC00	BOTTOM FOR PUSH BUTTON LID S000FOC00	FONDS COUVERCLE S000FOC00 MAC.M	BODEN DECKEL S000FOC00 MAC.M
22	28530120	PROTEZIONE USCITA CAFFE' S000PRB02 MAC.M	COFFEE OUTLET GUARD S000PRB02 MAC.M	PROTECTION EXIT CAFFE S000PRB02 MAC.M	SCHUTZ EXIT COFFEE S000PRB02 MAC.M
23	28530125	RETINA PASSAGGIO CAFFE' S000RET03 MAC.M	GRID COFFEE S000RET03 MAC.M	FILET CAFFE S000RET03 MAC.M	NETZ CAFFEE S000RET03 MAC.M
23	28530126	RETINA PASSAGGIO CAFFE' S000RET04 MAC.M	GRID COFFEE S000RET04 MAC.M	FILET CAFFE S000RET04 MAC.M	NETZ CAFFEE S000RET04 MAC.M
24	28530121	IMBUTO S000IMB02 MAC.M	FUNNEL S000IMB02 MAC.M	ENTONNOIR S000IMB02 MAC.M	TRICHTER S000IMB02 MAC.M
25	28530122	SUPPORTO PORTAFILTRO S00SSUP01 MAC.M	SUPPORT FOR FILTER HOLDER S00SSUP01	SUPPORT PORTE FILTRE S00SSUP01 MAC.M	HALTERUNG FILTERHALTER S00SSUP01 MAC.M
26	28530123	PRESSINO DOPPIO ALLUMINIO D.52,5/57,8	HAND TAMPER DOUBLE D.52,5/57,8	PRESSE CAFFE DOUBLE D.52,5/57,8	EINDRUCKVORRICHTUNG D.52,5/57,8
26	28530124	PRESSINO DOPPIO ALLUMINIO D.52,5/54,5	HAND TAMPER DOUBLE D.52,5/54,5	PRESSE CAFFE DOUBLE D.52,5/54,5	EINDRUCKVORRICHTUNG D.52,5/54,5
27	28530131	FORCELLA S000FOB15 MAC.M	COFFEE GRINDER FORK SMJOF0B13 MAC.M	FOURCHETTE x MOULIN SMJOF0B13 MAC.M	GABEL x KAFFEEMUHLE SMJOF0B13 MAC.M
28	28258005	LAMPADINA SPIA 230-400V VERDE S000LAA06	GREEN WARNING LIGHT 230-400V	LAMPE TEMOIN VERTE 230-400V	GRUNE KONTROLLAMPE 230-400V
28	28258006	LAMPADINA SPIA 110V UL ROSSA S000LAA07	RED WARNING LIGHT 110V UL	LAMPE TEMOIN ROUGE 110V UL	GRUNE KONTROLLAMPE 110V UL
29	28530109	FRONTALE COPRIMOTORE SMJOFRA03 MAC.M	MOTOR COVER SMJOFRA03 MAC.M	COUVERTURE DE MOTEUR SMJOFRA03M MAC.M	MOTOR FRONT COVER SMJOFRA03 MAC.M

MAJOR

Pos	Code	Denominazione - IT -	Denomination - EN -	Denomination - FR -	Denomination - DE -
30	28054014	CAVO ELETTRICO "ITALIA" S000CAD01	ELECTRIC CABLE "ITALY"	CABLE ELECTRIQUE "ITALIE"	KABLE "ITALIEN"
30	28054015	CAVO ELETTRICO TRIFASE 230V S000CAD09	ELECTRIC CABLE THREE-PHASE 230V	CABLE ELECTRIQUE TRIPHASE 230V	KABLE DREIPHASIG 230V
30	28054016	CAVO ELETTRICO TRIFASE 400V S000CAD03	ELECTRIC CABLE THREE-PHASE 400V	CABLE ELECTRIQUE TRIPHASE 400V	KABLE DREIPHASIG 400V
30	28054017	CAVO ELETTRICO "EUROPA" S000CAD04	ELECTRIC CABLE "EUROPE"	CABLE ELECTRIQUE "EUROPE"	KABLE "EUROPA"
30	28054018	CAVO ELETTRICO "AMERICA" S000CAD11	ELECTRIC CABLE "AMERICA"	CABLE ELECTRIQUE "AMERIQUE"	KABLE "AMERIKA"
30	28054019	CAVO ELETTRICO "AUSTRALIA" S000CAD07	ELECTRIC CABLE "AUSTRALIA"	CABLE ELECTRIQUE "AUSTRALIE"	KABLE "AUSTRALIEN"
30	28054020	CAVO ELETTRICO "INGHILTERRA" S000CAD08	ELECTRIC CABLE "ENGLAND"	CABLE ELECTRIQUE "ANGLETERRE"	KABLE "ENGLAND"
30	28054021	CAVO ELETTRICO "ISRAELE" S000CAD10	ELECTRIC CABLE "ISRAEL"	CABLE ELECTRIQUE "ISRAEL"	KABLE "ISRAEL"
30	28054022	CAVO ELETTRICO "SVIZZERA" S000CAD06	ELECTRIC CABLE "SWITZERLAND"	CABLE ELECTRIQUE "SUISSE"	KABLE "SCHWEIZ"
31	28400004	GUARNIZIONE AER-STOP S000GUA01	GASKET AER-STOP	JOINT AER-STOP	DICHTUNG AER-STOP
32	28530108	GUARNIZIONE SUPERIORE BOCCHETTA S000GUA03	UPPER GASKET S000GUA03 MAC.M	JOINT SUPERIEUR S000GUA03 MAC.M	UPPER GASKET S000GUA03 MAC.M
33	28218	MOLLA DI PRESSIONE DOSATURA M7	SPRING FOR DOSING PRESSURE M7	RESSORT DE PRESSION DOSAGE M7	FEDER FUR DOSIERUNGSDRUCK M7
34	28168001	MICROINTERRUTTORE SICUREZZA CAMPANA	SECURITY MICROSWITCH HOPPER MJ 05 MZ	MICRO-INTERRUPTEUR TREMIS	TRICHTER MIKROSCHALTER
35	28530113	CAVO CONNESSIONE VENTOLA S000CON01 MAC.M	CONNECTION CABLE FOR FAN S000CON01	CABLE CONNEXION S000CON01 MAC.M	KABELVERBINDUNG S000CON01 MAC.M
36	28530111	SUPPORTO VENTOLA S000SUV01 MAC.M	FRAME FOR FAN S000SUV01 MAC.M	SUPPORT VENTILATEUR S000SUV01 MAC.M	LUFTER STUTZE S000SUV01 MAC.M
37	28530112	SUPPORTO VENTOLA S000FIV01 MAC.M	FILTER FOR FAN S000FIV01 MAC.M	FILTRE VENTILATEUR S000FIV01 MAC.M	LUFTER FILTER S000FIV01 MAC.M
38	28530110	VENTILATORE 60x60 S00SVEB01 MAC.M	FAN 60x60 S00SVEB01 MAC.M	VENTILATEUR 60x60 S00SVEB01 MAC.M	LUFTER 60x60 S00SVEB01 MAC.M
39	28166	INT.ROT.MAC.AUT.M26c+M27b+M28UL/ETL	SWITCH ROTATIVE AUT.GRINDER UL/ETL	INTERRUPTEUR AUT. UL/ETL	AUT.SCHALTER UL/ETL
39	28167	INT.ROTAT.MAC.MAN.M. S10000INA03	MANUAL COFFEE GRINDER SWITCH	INTERRUPTEUR MOULIN MANUEL	SCHALTER FUR HANDKAFFEEMUHLE
39	28167001	INTERRUTTORE ROTATIVO TRIP.+FASE AUS.	COFFEE GRINDER SWITCH	INTERRUPTEUR MOULIN	SCHALTER FUR HANDKAFFEEMUHLE
40	28054024	CONDENSATORE 20mF S000COE04	COFFEE GRINDER CAPACITOR 20 mF	CONDENSATEUR MOULIN 20 mF	KONDENSATOR FUR KAFFEEMUHLE 20 mF
40	28530127	CONDENSATORE 60mF S000COE09	COFFEE GRINDER CAPACITOR 60 mF	CONDENSATEUR MOULIN 60 mF	KONDENSATOR FUR KAFFEEMUHLE 60 mF
41	28258026	FASCETTA 170 S000FAS06	CLAMP	COLLIER	SLANGKLEM
42	28530128	SCHEDA TIMER DOPPIO 220-240V S000SCT06	BOARD FOR DOUBLE TIMER 220-240V	CARTE TIMER 220-240V S000SCT06 MAC.M	KARTE TIMER 220-240V S000SCT06 MAC.M
42	28530129	SCHEDA TIMER DOPPIO 100-115V S000SCT07	BOARD FOR DOUBLE TIMER 100-115V	CARTE TIMER 100-115V S000SCT07 MAC.M	KARTE TIMER 100-115V S000SCT07 MAC.M
43	28342001	MORSETTIERA P000MOA04	TERMINAL BOARD	PLAQUE A BORNES	KLEMMLEISTE
45	28319000	SUPPORTO PASSACAVO S000SUA01	FAIRLEADER SUPPORT	SUPPORT PASSE-CABLE	HALTER LIPPKLAMPE
46	28530130	PIASTRA BASE SMJOPIE01 MAC.M	BOTTOM PLATE SMJOPIE01 MAC.M	PLAQUE SOCLE SMJOPIE01 MAC.M	PLATTE STELLESOCKEL SMJOPIE01 MAC.M
47	28258	PIEDINO DI APPOGGIO M29	BEARING FOOT M29	PIED DE SUPPORT M29	STUTZFUSS M29
48	28262005	PIATTINO SJ-MJ MAC.MZ	SMALL TRAY SJ-MJ MZ	PLATEAU SJ-MJ	PLATTE SJ-MJ
49	28258017	DADO 3213B PER PASSACAVO S000DAA02	NUT 3213B	ECROU 3213B	MUTTER 3213B
50	28258016	PASSACAVO 3243 FLEX. S000PAB04	FAIRLEADER 3243 FLEX.	PASSE-CABLE 3243 FLEX.	LIPPKLAMPE 3243 FLEX.



ROBUR

Pos	Code	Denominazione - IT -	Denomination - EN -	Denomination - FR -	Denomination - DE -
1	28053001	COPERCHIO TRAMOGGIA MACININO	COFFEE GRINDER HOPPER LID	COUVERCLE TREMIE MOULIN	TRICHTERDECKEL DER KAFFEEMUHLE
3	28351002	TRAMOGGIA COMPLETA	COMPLETE HOPPER	TREMIS POUR MOULIN	TRICHTER KOMPL.KAFFEEMUHLE
4	28326019	SERRANDA CAMPANA	HOPPER CLOSURE	VOLET CLOCHE	VERSCHLUSS FUER GLOCKE
5	28158	GHIERA REGOLAZIONE MACINATURA M6	GRINDING CONTROL RING NUT M6	EMBOUT x REGLAGE MOUTURE M6	ZWINGE x MAHLENREGELUNG M6
6	28360012	PERNO GHIERA M39	METAL RING PIVOT M39	GOUJON EMBOUT	ZWINGE DUBEL
7	28253006	PORTAMACINE SUPERIORE MONOFASE SROOPOA02	UPPER GRINDSTONES HOLDER SINGLE-PHASE	PORTE-MEULES SUPERIEURE MONOPHASE	OBERER MUHLEHALTER EINPHASIG
7	28253007	PORTAMACINE SUPERIORE TRIFASE SROOPOA06	UPPER GRINDSTONES HOLDER THREE-PHASE	PORTE-MEULES SUPERIEURE TRIPHASE	OBERER MUHLEHALTER DREIPHASIG
8	28233	MOLLA DI REGOLAZIONE MACINATURA M12	SPRING FOR GRINDING CONTROL M12	RESSORT DE REGULATION MOUTURE M12	FEDER FUR MAHLENREGELUNG M12
9	28530137	ELICA SROORL100 MAC.M	ALISCREW SROOELI00 MAC.M	HELICE SROOELI00 MAC.M	FALTWEICHE SROOELI00 MAC.M
10	28217007	MACINE 187C COPPIA TRIFASE	GRINDING BLADES 60D PAIR K246 GRIN.AS.	MEULE 187C COUPLE TRIPHASE	MUHLE 187C PAAR DREIPHASIG
10	28217009	MACINE 186C COPPIA MONOFASE	GRINDING BURRS 186C 1PH ROBUR	MEULE 186C COUPLE MONOPHASE	MUHLE 186C PAAR EINPHASIG
11	28253008	PORTAMACINE INFERIORI SROOPOA07	LOWER GRINDSTONES HOLDER	PORTE-MEULES INFERIEURES	UNTERMUHLEHALTER
12	28060	CUSCINETTO SFERE SUP. 6202.2RS1	UPPER BALL BEARING 6202.2RS1	COUSSINET A BILLES SUPERIEUR 6202	OBER/ KUGELHALTER 6202.2RS1
13	28400011	GUARNIZIONE ANELLO O.R. S000ANA03	GASKET O.R.	JOINT O.R.	DICHTUNG O.R.
14	28019001	BACINELLA RIDUZIONE SROOBAA01	CONTAINER	RECIPIENT	BEHALTER
15	28323001	SPESSORE ALBERO RIDUZIONE PLANETARIA	SHAFT THICKNESS	EPAISSEUR PIVOT	MELLE DICKE
16	28047001	CHIAVETTA 3x3x30 UNI6604 SOCH30030	PARALELL KEY 3x3x30	CLAVETTE PLATE 3x3x30	FLACHKEIL 3x3x30
17	28002018	ALBERO CON 3 PERNI S00SALA04	SHAFT WITH 3 PIN	PIVOT AVEC 3 PIVOT	WELLE MIT 3 STIFT
18	28324001	SATELLITE RIDUZIONE PLANETARIA S000STA01	REDUCTION GEAR	REDUCTION ENGRENAGE	REDUKTION ZAHNRAD
19	28060	CUSCINETTO SFERE SUP. 6202.2RS1	UPPER BALL BEARING 6202.2RS1	COUSSINET A BILLES SUPERIEUR 6202	OBER/ KUGELHALTER 6202.2RS1
20	28263001	PIANETA RIDUZIONE PLANETARIA S000PIR02	REDUCTION GEAR	REDUCTION ENGRENAGE	REDUKTION ZAHNRAD
21	28073007	CORONA RIDUZIONE PLANETARIA S000COR01	RIM GEAR REDUCTION	REDUCTION JANTE ENGRENAGE	REDUKTION FELGE ZAHNRAD
22	28040002	CALOTTA SUPERIORE SROOCAB03	MOTOR CAP	CALOTTE MOTEUR	MOTOR KAPPE
23	28057	CUSCINETTO MACININO 6202 2Z M11	COFFEE GRINDER BALL BEARING M11	COUSSINET A BILLES MOULIN M11	KAFFEMUEHLE BUCHSE M11
23	28063	CUSCINETTO SUPERIORE 6204 2RS M11	TOP BEARING 6204 2RS M11	COUSSINET SUP. 6204 2RS M11	OBERHALTER 6204 2RS M11
24	28399	VENTOLA RAFFREDDAMENTO M31	COOLING FAN M31	VENTILATEUR REFROIDIS. M31	LUFERRAD M31
25	28258009	FASCETTA VENTOLA	FAN CLAMP	COLLIER VENTILATEUR	LUFT SLANGKLEM
26	28308007	STATORE AVVOLTO MONOF. 220-240V 50HZ	WINDING STATOR 220-240V 50HZ	STATOR ENROULE 220-240V 50HZ	GEWICKELTER STATOR 220-240V 50HZ
26	28308008	STATORE AVVOLTO TRIFASE 230-400V/50Hz	WINDING STATOR 3PH 230-400V 60Hz	STATOR ENROULE 3PH 230-400V 60Hz	GEWICKELTER STATOR 3PH 230-400V 60Hz
26	28308009	STATORE AVVOLTO MONOF. 110 60HZ SROSPAA08	WINDING STATOR 110V 60HZ	STATOR ENROULE 110V 60HZ	GEWICKELTER STATOR 110V 60HZ
26	28308010	STATORE AVVOLTO MONOF. 220V 60HZ	WINDING STATOR 220V 60HZ	STATOR ENROULE 220V 60HZ	GEWICKELTER STATOR 220V 60HZ
26	28308011	STATORE AVVOLTO TRIFASE 220V/60Hz	WINDING STATOR 3PH 220V 60 Hz	STATOR ENROULE 3PH 220V 60Hz	GEWICKELTER STATOR 3PH 220V 60Hz
27	28281003	ROTORE MACININO SROOROA02	COFFEE GRINDER ROTOR	ROTOR MOULIN	KAFFEMUEHLE ROTOR
28	28323002	SPESSORE ROTORE-CALOTTA SROOSPE00	THICKNESS ROTOR-CAP	EPAISSEUR ROTOR-CALOTTE	DICKE ROTOR-KAPPE
29	28258013	CALOTTA MOTORE SRLOCAB01	MOTOR CAP	CALOTTE MOTEUR	MOTOR KAPPE
30	28002019	ANTIVIBRANTE A18x8,5M S000ANV04	ANTI-VIBRATING	ANTIVIBRATOIRE	SCHWINGUNGSDAMPFEND

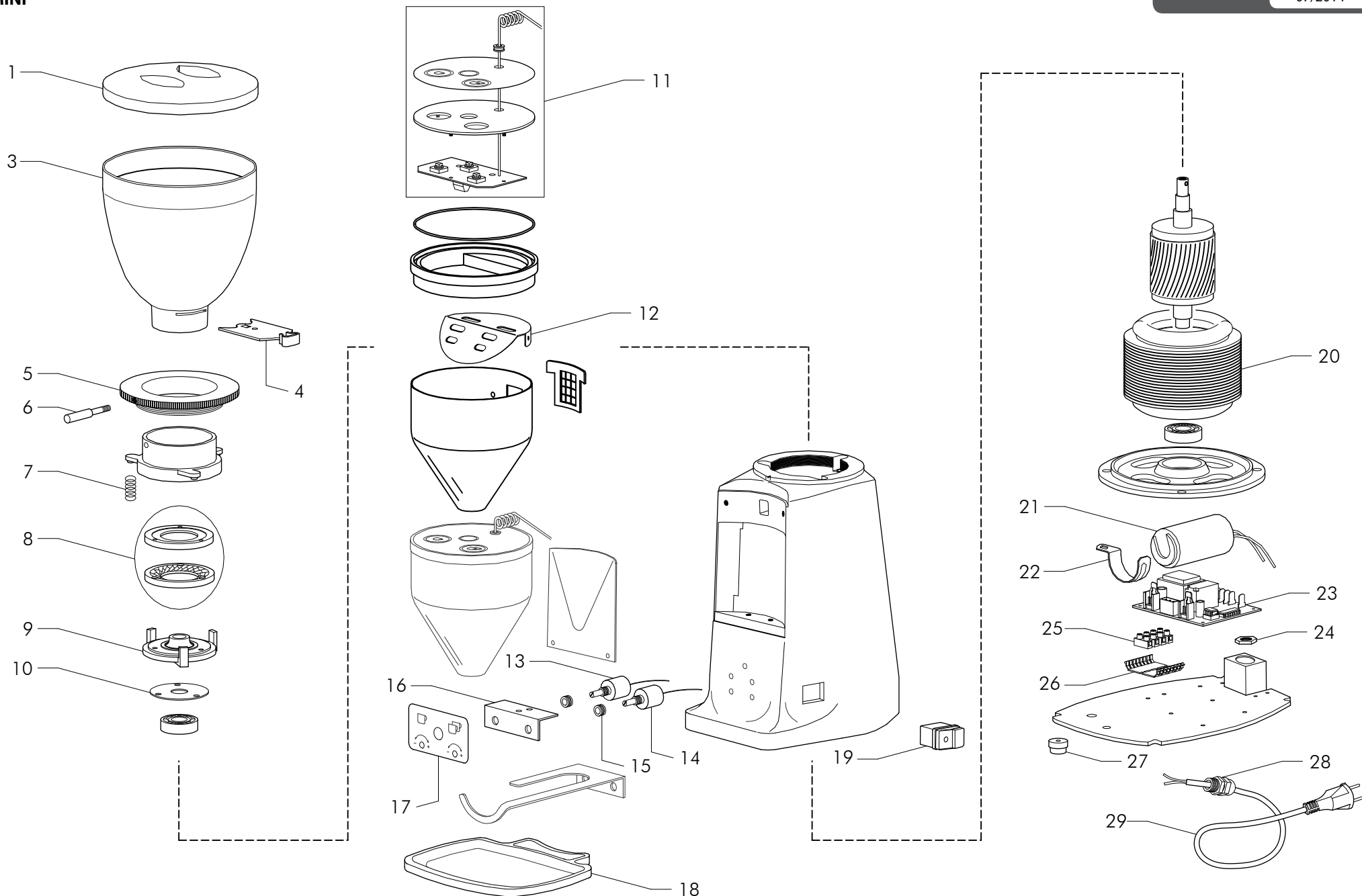
ROBUR

Pos	Code	Denominazione - IT -	Denomination - EN -	Denomination - FR -	Denomination - DE -
31	28258023	PIASTRA MOTORE SRO0PIA01	BASE COFFEE GRINDER	PLAQUE MOULIN	PLATTE KAFFEEMUHLE
32	28530114	PASSACAVO IN GOMMA S000PAB05 MAC.M	CABLE LOCKING S000PAB05 MAC.M	PASSE-CABLE S000PAB05 MAC.M	LIPPKLAMPE S000PAB05 MAC.M
33	28530116	COPERCHIO PORTA PULSANTI CON DISPLAY	PUSH BUTTON HOLDER LID WITH DISPLAY	COUVERCLE CLAVIER AVEC DISPLAY	DECKEL MIT DISPLAY S000COG02 MAC.M
34	28530117	GUARNIZIONE COPERCHIO PORTA PULSANTI	GASKET PUSH BUTTON HOLDER LID	JOINTS COUVERCLE CLAVIER	DICHTUNG DECKEL MIT DISPLAY
35	28530118	SCHEDA PULSANTI CON DISPLAY	CARD FOR PUSH BUTTON WITH DISPLAY	CARD BUTTONS AVEC DISPLAY	CARD TASTEN MIT DISPLAY S000SPU03 MAC.M
36	28530119	FONDO COPERCHIO PORTA PULSANTI	BOTTOM FOR PUSH BUTTON LID	FONDS COUVERCLE S000FOC00 MAC.M	BODEN DECKEL S000FOC00 MAC.M
37	28530120	PROTEZIONE USCITA CAFFE' S000PRB02 MAC.M	COFFEE OUTLET GUARD S000PRB02 MAC.M	PROTECTION EXIT CAFFE S000PRB02 MAC.M	SCHUTZ EXIT COFFEE S000PRB02 MAC.M
38	28530125	RETINA PASSAGGIO CAFFE' S000RET03 MAC.M	GRID COFFEE S000RET03 MAC.M	FILET CAFFE S000RET03 MAC.M	NETZ CAFFEE S000RET03 MAC.M
39	28530121	IMBUTO S000IMB02 MAC.M	FUNNEL S000IMB02 MAC.M	ENTONNOIR S000IMB02 MAC.M	TRICHTER S000IMB02 MAC.M
40	28530122	SUPPORTO PORTAFILTRO S00SSUP01 MAC.M	SUPPORT FOR FILTER HOLDER	SUPPORT PORTE FILTRE S00SSUP01 MAC.M	HALTERUNG FILTERHALTER S00SSUP01 MAC.M
41	28530123	PRESSINO DOPPIO ALLUMINIO D.52,5/57,8	HAND TAMPER DOUBLE D.52,5/57,8	PRESSE CAFFE DOUBLE D.52,5/57,8	EINDRUCKVORRICHTUNG D.52,5/57,8
41	28530124	PRESSINO DOPPIO ALLUMINIO D.52,5/54,5	HAND TAMPER DOUBLE D.52,5/54,5	PRESSE CAFFE DOUBLE D.52,5/54,5	EINDRUCKVORRICHTUNG D.52,5/54,5
42	28530135	FORCELLA SMJOF0B14 MAC.M	COFFEE GRINDER FORK SMJOF0B14 MAC.M	FOURCHETTE x MOULIN SMJOF0B14 MAC.M	GABEL x KAFFEEMUHLE SMJOF0B14 MAC.M
43	28258005	LAMPADINA SPIA 230-400V VERDE S000LAA06	GREEN WARNING LIGHT 230-400V	LAMPE TEMOIN VERTE 230-400V	GRUNE KONTROLLAMPE 230-400V
43	28258006	LAMPADINA SPIA 110V UL ROSSA S000LAA07	RED WARNING LIGHT 110V UL	LAMPE TEMOIN ROUGE 110V UL	GRUNE KONTROLLAMPE 110V UL
44	28530136	FRONTALE COPRIMOTORE SMJOFRA00 MAC.M	MOTOR COVER SMJOFRA00 MAC.M	COUVERTURE DE MOTEUR SMJOFRA00 MAC.M	MOTOR FRONT COVER SMJOFRA00 MAC.M
45	28530139	SUPPORTO FRONTALE SRO0SUPO2 MAC.M	FRONT SUPPORT SRO0SUPO2 MAC.M	SUPPORT FRONTAL SRO0SUPO2 MAC.M	LAGERGEHAUSE SRO0SUPO2 MAC.M
46	28400004	GUARNIZIONE AER-STOP S000GUA01	GASKET AER-STOP	JOINT AER-STOP	DICHTUNG AER-STOP
47	28530108	GUARNIZIONE SUPERIORE BOCCHETTA S000GUA03	UPPER GASKET S000GUA03 MAC.M	JOINT SUPERIEUR S000GUA03 MAC.M	UPPER GASKET S000GUA03 MAC.M
48	28168001	MICROINTERRUTTORE SICUREZZA CAMPANA	SECURITY MICROSWITCH HOPPER MJ 05 MZ	MICRO-INTERRUPTEUR TREMIS	TRICHTER MIKROSCHALTER
49	28530113	CAVO CONNESSIONE VENTOLA S000CON01 MAC.M	CONNECTION CABLE FOR FAN S000CON01	CABLE CONNEXION S000CON01 MAC.M	KABELVERBINDUNG S000CON01 MAC.M
50	28530133	SUPPORTO VENTOLA S000SUV02 MAC.M	FRAME FOR FAN S000SUV02 MAC.M	SUPPORT VENTILATEUR S000SUV02 MAC.M	LUFTER STUTZE S000SUV02 MAC.M
51	28530134	SUPPORTO VENTOLA S000FIV02 MAC.M	FILTER FOR FAN S000FIV02 MAC.M	FILTRE VENTILATEUR S000FIV02 MAC.M	LUFTER FILTER S000FIV02 MAC.M
52	28530132	VENTILATORE 80x80 S00SVEB02 MAC.M	FAN 80x80 S00SVEB02 MAC.M	VENTILATEUR 80x80 S00SVEB02 MAC.M	LUFTER 80x80 S00SVEB02 MAC.M
53	28166	INT.ROT.MAC.AUT.M26c+M27b+M28UL/ETL	SWITCH ROTATIVE AUT.GRINDER UL/ETL	INTERRUPTEUR AUT. UL/ETL	AUT.SCHALTER UL/ETL
53	28167	INT.ROTAT.MAC.MAN.M. S1000INA03	MANUAL COFFEE GRINDER SWITCH	INTERRUPTEUR MOULIN MANUEL	SCHALTER FUR HANDKAFFEEMUHLE
53	28167001	INTERRUTTORE ROTATIVO TRIP.+FASE AUS.	COFFEE GRINDER SWITCH	INTERRUPTEUR MOULIN	SCHALTER FUR HANDKAFFEEMUHLE
54	19061	CONDENSATORE MACININO 16mF	COFFEE GRINDER CAPACITOR 16.5mF	CONDENSATEUR MOULIN 16.5mF	KONDENSATOR FUR KAFFEEMUHLE 16.5mF
54	28054024	CONDENSATORE 20mF S000COE04	COFFEE GRINDER CAPACITOR 20 mF	CONDENSATEUR MOULIN 20 mF	KONDENSATOR FUR KAFFEEMUHLE 20 mF
54	28054025	CONDENSATORE 80mF S000COE10	COFFEE GRINDER CAPACITOR 80 mF	CONDENSATEUR MOULIN 80 mF	KONDENSATOR FUR KAFFEEMUHLE 80 mF
55	28258026	FASCETTA 170 S000FAS06	CLAMP	COLLIER	SLANGKLEM
55	28258027	GRAFFA ZINCATA FR50 S000GRB04	CABLE GRIP FR50	PRESSE-CABLE FR50	PRESSEKABEL FR50
56	28106006	DISGIUNTORE 220-230V S000DIS02	CIRCUIT BREAKER 220-230V	DISJONCTEUR 220-230V	AUSSCHALTER 220-230V
56	28106007	DISGIUNTORE 230-240V S000DIS03	CIRCUIT BREAKER 230-240V	DISJONCTEUR 230-240V	AUSSCHALTER 230-240V
56	28106008	DISGIUNTORE 110V S000DIS06	CIRCUIT BREAKER 110V	DISJONCTEUR 110V	AUSSCHALTER 110V
57	28530128	SCHEDA TIMER DOPPIO 220-240V	BOARD FOR DOUBLE TIMER 220-240V	CARTE TIMER 220-240V S000SCT06 MAC.M	KARTE TIMER 220-240V S000SCT06 MAC.M

ROBUR

Pos	Code	Denominazione - IT -	Denomination - EN -	Denomination - FR -	Denomination - DE -
57	28530129	SCHEDA TIMER DOPPIO 100-115V	BOARD FOR DOUBLE TIMER 100-115V	CARTE TIMER 100-115V S000SCT07 MAC.M	KARTE TIMER 100-115V S000SCT07 MAC.M
58	28270005	RESISTENZA 220-240V 220KOHM 2W S000REB03	HEATING ELEMENT 220-240V 220KOHM 2W	RESISTANCE 220-240V 220KOHM 2W	HEIZKORPER 220-240V 220KOHM 2W
58	28270006	RESISTENZA 110V 68KOHM 2W S000REB04	HEATING ELEMENT 110V 68KOHM 2W	RESISTANCE 110V 68KOHM 2W	HEIZKORPER 110V 68KOHM 2W
59	28342001	MORSETTIERA P000MOA04	TERMINAL BOARD	PLAQUE A BORNES	KLEMMLEISTE
60	28318000	SOTTOMORSETTIERA P000SOT02	LOWER TERMINAL BOARD	PLAQUE A BORNES INFERIEUR	UNTER KLEMMLEISTE
61	19058	CONDENSATORE MACIN.x110V 60mF M37b	CAPACITOR FOR COFFEE GRINDER 110 V. 60	CONDENSAT.M.DOSEURx110V 60mF M37b	KAFFEEMUHLE KONDENS.x110V 60mF M37b
61	19061	CONDENSATORE MACININO 16mF	COFFEE GRINDER CAPACITOR 16.5mF	CONDENSATEUR MOULIN 16.5mF	KONDENSATOR FUR KAFFEEMUHLE 16.5mF
62	28530138	PIASTRA BASE SROOPIE01 MAC.M	BOTTOM PLATE SROOPIE01 MAC.M	PLAQUE SOCLE SROOPIE01 MAC.M	PLATTE STELLSOCKEL SROOPIE01 MAC.M
63	28319000	SUPPORTO PASSACAVO S000SUA01	FAIRLEADER SUPPORT	SUPPORT PASSE-CABLE	HALTER LIPPKLAMPE
64	28258019	PIEDINO DD2015H P000PIA02	BEARING FOOT	PIED DE SUPPORT	STUTZFUSS
65	28262003	PIATTINO MAJOR SMJOPIB02	DRIP TRAY COFFEE GRINDER	PLATEAU MOULIN	PLATTE KAFFEEMUHLE
66	28258017	DADO 3213B PER PASSACAVO S000DAA02	NUT 3213B	ECROU 3213B	MUTTER 3213B
67	28258016	PASSACAVO 3243 FLEX. S000PAB04	FAIRLEADER 3243 FLEX.	PASSE-CABLE 3243 FLEX.	LIPPKLAMPE 3243 FLEX.
68	28054014	CAVO ELETTRICO "ITALIA" S000CAD01	ELECTRIC CABLE "ITALY"	CABLE ELECTRIQUE "ITALIE"	KABLE "ITALIEN"
68	28054015	CAVO ELETTRICO TRIFASE 230V S000CAD09	ELECTRIC CABLE THREE-PHASE 230V	CABLE ELECTRIQUE TRIPHASE 230V	KABLE DREIPHASIG 230V
68	28054016	CAVO ELETTRICO TRIFASE 400V S000CAD03	ELECTRIC CABLE THREE-PHASE 400V	CABLE ELECTRIQUE TRIPHASE 400V	KABLE DREIPHASIG 400V
68	28054017	CAVO ELETTRICO "EUROPA" S000CAD04	ELECTRIC CABLE "EUROPE"	CABLE ELECTRIQUE "EUROPE"	KABLE "EUROPA"
68	28054018	CAVO ELETTRICO "AMERICA" S000CAD11	ELECTRIC CABLE "AMERICA"	CABLE ELECTRIQUE "AMERIQUE"	KABLE "AMERIKA"
68	28054019	CAVO ELETTRICO "AUSTRALIA" S000CAD07	ELECTRIC CABLE "AUSTRALIA"	CABLE ELECTRIQUE "AUSTRALIE"	KABLE "AUSTRALIEN"
68	28054020	CAVO ELETTRICO "INGHILTERRA" S000CAD08	ELECTRIC CABLE "ENGLAND"	CABLE ELECTRIQUE "ANGLETERRE"	KABLE "ENGLAND"
68	28054021	CAVO ELETTRICO "ISRAELE" S000CAD10	ELECTRIC CABLE "ISRAEL"	CABLE ELECTRIQUE "ISRAEL"	KABLE "ISRAEL"
68	28054022	CAVO ELETTRICO "SVIZZERA" S000CAD06	ELECTRIC CABLE "SWITZERLAND"	CABLE ELECTRIQUE "SUISSE"	KABLE "SCHWEIZ"

MINI



MINI

Pos	Code	Denominazione - IT -	Denomination - EN -	Denomination - FR -	Denomination - DE -
1	28054009	COPERCHIO TRAMOGGIA MAC.MINI	HOPPER LID MINI MZ GRINDER	COUVERCLE TREMIE MOULIN MINI	TRICHTERDECKUNG KAFFEEMUEHLE MINI "M"
3	28350002	TRAMOGGIA MAC.MINI 320gr SMI0CAE02	MINI GRINDER HOPPER 320gr	TREMIE POUR MOULIN 320gr	TRICHTER KAFFEEMUEHLE 320gr
4	28326013	SERRANDA CAMPANA	HOPPER CLOSURE	VOLET CLOCHE	VERSCHLUSS FUER GLOCKE
5	28157	GHIERA REGOLAZIONE MACINATURA M6	GRINDING CONTROL RING NUT M6	EMBOUT REGULATION MOUTURE M6	ZWINGE FUR MAHLENREGELUNG M6
6	28360012	PERNO GHIERA M39	METAL RING PIVOT M39	GOUJON EMBOUT	ZWINGE DUBEL
7	28233	MOLLA DI REGOLAZIONE MACINATURA M12	SPRING FOR GRINDING CONTROL M12	RESSORT DE REGULATION MOUTURE M12	FEDER FUR MAHLENREGELUNG M12
8	28217010	MACINE 189D COPPIA MINI ELETTRONICO	GRINDSTONES 189D COUPLE MINI EL. D.64MM	MEULE MINI D.64	MUHLE MINI D.64
9	28253	PORTAMACINE INFERIORI M10	LOWER GRINDSTONES HOLDER M10	PORTE-MEULES INFERIEURES M10	UNTERMUEHLEHALTER M10
10	28070007	COPRICUSCINETTO S5J0COA01	COVER BEARING	PROTECTION COUSSINET	SCHUTZBUCHSE
11	28530145	ASSIEME SCHEDA PULSANTI S00SSPU01 MAC.M	CARD FOR PUSH BUTTON	ENSEMBLE CLAVIER	TASTATUR
12	28157	GHIERA REGOLAZIONE MACINATURA M6	GRINDING CONTROL RING NUT M6	EMBOUT REGULATION MOUTURE M6	ZWINGE FUR MAHLENREGELUNG M6
13	28164001	POTENZIOMETRO MULTIGIRI CABLATO NERO	POTENTIOMETER WIRED BLACK	POTENTIOMETRE FILAIRE NOIR	KABELGEBUNDENE SCHWARZ POTENTIOMETER
14	28164002	POTENZIOMETRO MULTIGIRI CABLATO ROSSO	POTENTIOMETER WIRED RED	POTENTIOMETRE FILAIRE ROUGE	KABELGEBUNDENE ROT POTENTIOMETER
15	28530114	PASSACAVO IN GOMMA S000PAB05 MAC.M	CABLE LOCKING S000PAB05 MAC.M	PASSE-CABLE S000PAB05 MAC.M	LIPPKLAMPE S000PAB05 MAC.M
16	28164003	PIASTRINA FISSAGGIO POTENZIOMETRI	FIXING PLATE POTENTIOMETERS	PLAQUE DE FIXATION POTENTIOMETRES	BEFESTIGUNG PLATTE POTENTIOMETER
17	28164004	ETICHETTA REGOLAZIONE 1-2 DOSI S000ETA21	DOSE ADJUSTMENT LABEL	ETIQUETTE D'AJUSTEMENT DE DOSE	DOSIS-ANPASSUNG-LABEL
18	28262006	PIATTINO MINI IN ACCIAIO	METAL TRAY FOR MINI GRINDER	PLATEAU	PLATTE
19	28165005	INTERRUTTORE BIPOLORE N/N/V LUMINOSO	COFFEE GRINDER SWITCH	INTERRUPTEUR MOULIN	SCHALTER KAFFEEMUEHLE
20	28308012	STATORE AVVOLTO MONOF. 220-240V 50HZ	WINDING STATOR 220-240V 50HZ	STATOR ENROULE 220-240V 50HZ	GEWICKELTER STATOR 220-240V 50HZ
20	28308013	STATORE AVVOLTO MONOF. 110 60HZ SMISPAU01	WINDING STATOR 110V 60HZ	STATOR ENROULE 110V 60HZ	GEWICKELTER STATOR 110V 60HZ
20	28308014	STATORE AVVOLTO MONOF. 220 60HZ SMISPAS01	WINDING STATOR 220V 60HZ	STATOR ENROULE 220V 60HZ	GEWICKELTER STATOR 220V 60HZ
21	28258018	GRAFFA ZINCATA FR40 S000GRB05	CABLE GRIP FR40	PRESSE-CABLE FR40	PRESSEKABEL FR40
22	28054027	CONDENSATORE 20 mF 110V S000COE13	COFFEE GRINDER CAPACITOR 20 mF 110V	CONDENSATEUR MOULIN 20 mF 110V	KONDENSATOR FUR KAFFEEMUEHLE 20 mF 110V
23	28530146	SCHEDA TIMER DOPPIO MINI MOD.A 230V/50Hz	BOARD FOR DOUBLE TIMER 230V/50Hz	CARTE TIMER 230V/50Hz S000SCT01 MAC.M	KARTE TIMER 230V/50Hz S000SCT01 MAC.M
23	28530147	SCHEDA TIMER DOPPIO MINI MOD.A 110V/60Hz	BOARD FOR DOUBLE TIMER 110V/60Hz	CARTE TIMER 110V/60Hz S000SCT08 MAC.M	KARTE TIMER 110V/60Hz S000SCT08 MAC.M
24	28258017	DADO 3213B PER PASSACAVO S000DAA02	NUT 3213B	ECROU 3213B	MUTTER 3213B
25	28342001	MORSETTIERA P000MOA04	TERMINAL BOARD	PLAQUE A BORNES	KLEMMLEISTE
26	28318000	SOTTOMORSETTIERA P000SOT02	LOWER TERMINAL BOARD	PLAQUE A BORNES INFERIEUR	UNTER KLEMMLEISTE
27	28258	PIEDINO DI APPOGGIO M29	BEARING FOOT M29	PIED DE SUPPORT M29	STUTZFUSS M29
28	28258028	PASSACAVO PRO 1106 PG11 S000PAB03	FAIRLEADER PRO 1106 PG11	PASSE-CABLE PRO 1106 PG11	LIPPKLAMPE PRO 1106 PG11
29	28054014	CAVO ELETTRICO "ITALIA" S000CAD01	ELECTRIC CABLE "ITALY"	CABLE ELECTRIQUE "ITALIE"	KABLE "ITALIEN"
29	28054017	CAVO ELETTRICO "EUROPA" S000CAD04	ELECTRIC CABLE "EUROPE"	CABLE ELECTRIQUE "EUROPE"	KABLE "EUROPA"
29	28054019	CAVO ELETTRICO "AUSTRALIA" S000CAD07	ELECTRIC CABLE "AUSTRALIA"	CABLE ELECTRIQUE "AUSTRALIE"	KABLE "AUSTRALIEN"
29	28054020	CAVO ELETTRICO "INGHILTERRA" S000CAD08	ELECTRIC CABLE "ENGLAND"	CABLE ELECTRIQUE "ANGLETERRE"	KABLE "ENGLAND"
29	28054021	CAVO ELETTRICO "ISRAELE" S000CAD10	ELECTRIC CABLE "ISRAEL"	CABLE ELECTRIQUE "ISRAEL"	KABLE "ISRAEL"
29	28054022	CAVO ELETTRICO "SVIZZERA" S000CAD06	ELECTRIC CABLE "SWITZERLAND"	CABLE ELECTRIQUE "SUISSE"	KABLE "SCHWEIZ"