

Code	Description	Page	Rev.	Date
	Carrozzeria - Body parts - Carrosserie - Karosserie			
GLAL-01	Celeste - Light Blue - Bleu Ciel - Celeste	2	02	07/2017
GLAL-02	Nero/Cromo - Black/Chrome - Noir/Chrome - Schwarz/Chromiert	6	02	07/2017
GLAL-03	Grigio - Gray - Gris - Grau	10	02	07/2017
GLAL-04	Cromo - Chrome - Chrome - Chrom	14	02	07/2017
	Lancia - Tube - Tuyau - Rohr			
GLAL-21	Vapore - Steam - Vapeur - Dampf	18	02	07/2017
GLAL-22	Acqua - Water - Eau - Wasser	20	02	07/2017
GLAL-31	Gruppo - Group - Groupe - Gruppe	22	00	01/2014
	Caldaia - Boiler - Chaudiere - Kessel			
GLAL-41	1GR	24	02	07/2017
GLAL-42	2GR	26	02	07/2017
GLAL-43	3GR	28	02	07/2017
GLAL-44	4GR	30	02	07/2017
	Impianti idraulici - Hydraulic circuits - Circuits hydrauliques - Wasser anlage			
GLAL-51	1GR	32	02	07/2017
GLAL-52	2-3-4GR	35	02	07/2017
	Impianti elettrici - Electrical systems - Circuits electriques - Strom anlage			
GLAL-61	1-2-3-4GR	38	01	10/2015
GLAL-62	Scald tazze - Cup heating - Chauffe tasses - Tassenwarmer	40	00	11/2013
GLAL-71	Impianto Gas - Gas system - Installation Gaz - Gasanlage	42	02	07/2017
	Motopompa - Motor pump - Motopompe - Motor pump			
GLAL-81	Incorporata - Built-in - Incorporé - Eingebaute	45	02	07/2017
GLAL-82	Esterna - External - Extérieur - Aussenansicht	47	03	07/2017



Think espresso.

CELESTE - LIGHT BLUE - BLEU CIEL - CELESTE

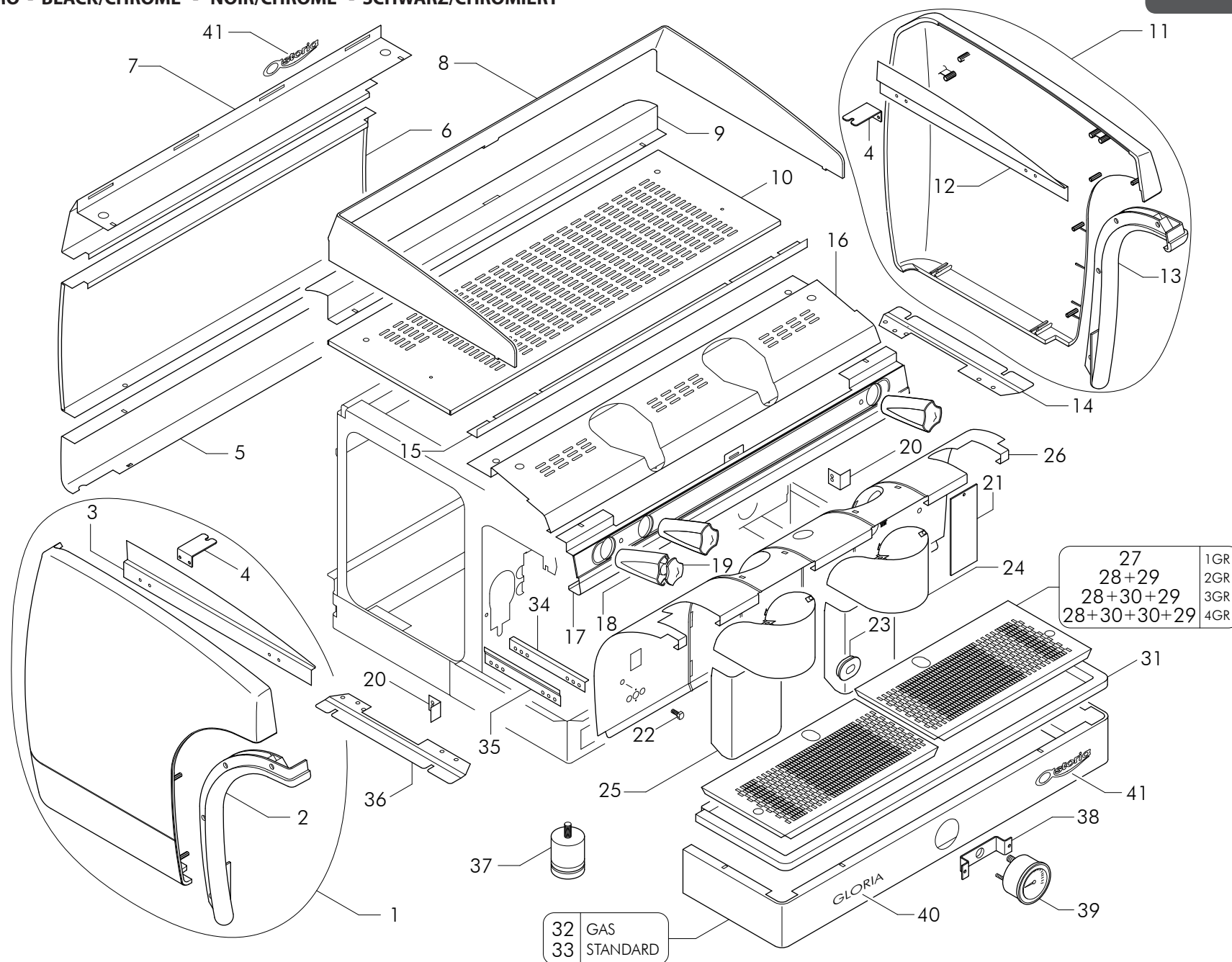
Pos	Code	Denominazione - IT -	Denomination - EN -	Denomination - FR -	Denomination - DE -
1	56910101	FIANCO ASSIEMATO SINISTRO GLORIA CELESTE	ASSEMBLY LEFT SIDE PANEL LIGHT BLUE	ASSEMBLE COTE GAUCHE BLEU	LINKE SEITE HELLBLAU
2	77498501	PROFILO FIANCO SINISTRO CROMO	LEFT SIDE STRIP CHROME	PROFILS POUR COTE GAUCHE CHROME	PROFIL FUR LINKE SEITE GLORIA CHROM
3	77607052	PROFILO INTERNO SINISTRO FIANCO	INTERNAL STRIP LEFT	PROFIL INT. GAUCHE	PROFIL INNEN LINKE
4	78167010	STAFFA SUP.DX-SX SUPPORTO FIANCO	RH-LH PANEL SUPPORT	SUPPORT DR-GA COTE	RECHTS/LINKS HALTER
5	75288004	PANNELLO INF.1GR GLORIA CELESTE+BRILL	LOWER PANEL 1GR BLUE	PANNEAU INF. 1GR BLEU	UNTERTAFEL 1GR BLAU
5	75288008	PANNELLO INF.2GR GLORIA CELESTE+BRILL	LOWER PANEL 2GR BLUE	PANNEAU INF. 2GR BLEU	UNTERETAFEL 2GR BLAU
5	75288012	PANNELLO INF.3GR GLORIA CELESTE+BRILL	LOWER PANEL 3GR BLUE	PANNEAU INF. 3GR BLEU	UNTERTAFEL 3GR BLAU
5	75288016	PANNELLO INF.4GR GLORIA CELESTE+BRILL	LOWER PANEL 4GR BLUE	PANNEAU INF. 4GR BLEU	UNTERTAFEL 4GR BLAU
6	75288005	PANNELLO CENT.1GR GLORIA CELESTE+BRILL	CENTRAL PANEL 1GR BLUE	PANNEAU CENTRAL 1GR BLEU	ZENTRALTAFEL 1GR BLAU
6	75288009	PANNELLO CENT.2GR GLORIA CELESTE+BRILL	CENTRAL PANEL 2GR BLUE	PANNEAU CENTRAL 2GR BLEU	ZENTRALTAFEL 2GR BLAU
6	75288013	PANNELLO CENT.3GR GLORIA CELESTE+BRILL	CENTRAL PANEL 3GR BLUE	PANNEAU CENTRAL 3GR BLEU	ZENTRALTAFEL 3GR BLAU
6	75288017	PANNELLO CENT.4GR GLORIA CELESTE+BRILL	CENTRAL PANEL 4GR BLUE	PANNEAU CENTRAL 4GR BLEU	ZENTRALTAFEL 4GR BLAU
7	75288006	PANNELLO SUP.1GR GLORIA CELESTE+BRILL	TOP PANEL 1GR BLUE	PANNEAU SUPERIEURE 1GR BLEU	OBERTAFEL 1GR BLAU
7	75288010	PANNELLO SUP.2GR GLORIA CELESTE+BRILL	TOP PANEL 2GR BLUE	PANNEAU SUPERIEURE 2GR BLEU	OBERTAFEL 2GR BLAU
7	75288014	PANNELLO SUP.3GR GLORIA CELESTE+BRILL	TOP PANEL 3GR BLUE	PANNEAU SUPERIEURE 3GR BLEU	OBERTAFEL 3GR BLAU
7	75288018	PANNELLO SUP.4GR GLORIA CELESTE+BRILL	TOP PANEL 4GR BLUE	PANNEAU SUPERIEURE 4GR BLEU	OBERTAFEL 4GR BLAU
8	21162147	PLEXIGLASS 1GR	PLEXIGLASS 1GR	PLEXIGLASS 1GR	PLEXIGLASS 1GR
8	21162148	PLEXIGLASS 2GR	PLEXIGLASS 2GR	PLEXIGLASS 2GR	PLEXIGLASS 2GR
8	21162149	PLEXIGLASS 3GR	PLEXIGLASS 3GR	PLEXIGLASS 3GR	PLEXIGLASS 3GR
8	21162150	PLEXIGLASS 4GR	PLEXIGLASS 4GR	PLEXIGLASS 4GR	PLEXIGLASS 4GR
9	75288007	PROFILO SUP.FERMA PLEXIGLASS 1GR INOX	PLEXIGLASS SUPPORT 1GR S.STEEL	SUPPORT PLEXIGLASS 1GR INOX	PLEXIGLASSHALTER 1GR STAHL
9	75288011	PROFILO SUP.FERMA PLEXIGLASS 2GR INOX	PLEXIGLASS SUPPORT 2GR S.STEEL	SUPPORT PLEXIGLASS 2GR INOX	PLEXIGLASSHALTER 2GR STAHL
9	75288015	PROFILO SUP.FERMA PLEXIGLASS 3GR INOX	PLEXIGLASS SUPPORT 3GR S.STEEL	SUPPORT PLEXIGLASS 3GR INOX	PLEXIGLASSHALTER 3GR STAHL
9	75288019	PROFILO SUP.FERMA PLEXIGLASS 4GR INOX	PLEXIGLASS SUPPORT 4GR S.STEEL	SUPPORT PLEXIGLASS 4GR INOX	PLEXIGLASSHALTER 4GR STAHL
10	76100109	GRIGLIA SUPERIORE AL/1 GLORIA INOX	TOP GRATE AL/1 S.STEEL	GRILLE SUP. AL/1 INOX	OBERGITTER AL/1 STAHL
10	76100110	GRIGLIA SUPERIORE AL/2 GLORIA INOX	TOP GRATE AL/2 S.STEEL	GRILLE SUP. AL/2 INOX	OBERGITTER AL/2 STAHL
10	76100111	GRIGLIA SUPERIORE AL/3 GLORIA INOX	TOP GRATE AL/3 S.STEEL	GRILLE SUP. AL/3 INOX	OBERGITTER AL/3 STAHL
10	76100112	GRIGLIA SUPERIORE AL/4 GLORIA INOX	TOP GRATE AL/4 S.STEEL	GRILLE SUP. AL/4 INOX	OBERGITTER AL/4 STAHL
11	56910100	FIANCO ASSIEMATO DESTRO GLORIA CELESTE	ASSEMBLY RIGHT SIDE PANEL LIGHT BLUE	ASSEMBLE COTE DROITE BLEU	RECHTE SEITE HELLBLAU
12	77607051	PROFILO INTERNO DESTRO FIANCO	INTERNAL STRIP RIGHT	PROFIL INT. COTE DROIT	PROFIL INNEN RECHTE
13	77498500	PROFILO FIANCO DESTRO CROMO	RIGHT SIDE STRIP CHROME	PROFILS POUR COTE DROIT CHROME	PROFIL FUR RECHTE SEITE CHROME
14	77607049	STAFFA INF.DESTRA FIANCO	LOWER SIDE BRACKET	ETRIER INFERIEUR COTE	SEITE BUGEL UNTER
15	77691986	PROTEZIONE ANT.FERMATAZZE 1GR INOX	BLOCK CUP 1GR S.STEEL	FERMETURE TASSE 1GR INOX	BLOCK TASSE 1GR STAHL
15	77691987	PROTEZIONE ANT.FERMATAZZE 2GR INOX	BLOCK CUP 2GR S.STEEL	FERMETURE TASSE 2GR INOX	BLOCK TASSE 2GR STAHL
15	77691988	PROTEZIONE ANT.FERMATAZZE 3GR INOX	BLOCK CUP 3GR S.STEEL	FERMETURE TASSE 3GR INOX	BLOCK TASSE 3GR STAHL
15	77691989	PROTEZIONE ANT.FERMATAZZE 4GR INOX	BLOCK CUP 4GR S.STEEL	FERMETURE TASSE 4GR INOX	BLOCK TASSE 4GR STAHL

CELESTE - LIGHT BLUE - BLEU CIEL - CELESTE

Pos	Code	Denominazione - IT -	Denomination - EN -	Denomination - FR -	Denomination - DE -
16	72699115	COPRIGRUPPO AL/1 GLORIA INOX LUC.	S.STEEL GROUP-COVER AL/1	COUVRE-GROUPE INOX AL/1	STAHL/GRUPPENDECKEL AL/1
16	72699116	COPRIGRUPPO AL/2 GLORIA INOX LUC.	S.STEEL GROUP-COVER AL/2	COUVRE-GROUPE INOX AL/2	STAHL/GRUPPENDECKEL AL/2
16	72699117	COPRIGRUPPO AL/3 GLORIA INOX LUC.	S.STEEL GROUP-COVER AL/3	COUVRE-GROUPE INOX AL/3	STAHL/GRUPPENDECKEL AL/3
16	72699118	COPRIGRUPPO AL/3 GLORIA INOX LUC.	S.STEEL GROUP-COVER AL/4	COUVRE-GROUPE INOX AL/4	STAHL/GRUPPENDECKEL AL/4
17	83700060R	KIT FRONTONE AL/1 GLORIA INOX	ASSEMBLY FRONT PANEL AL/1 S.STEEL	ENSEMBLE PANNEAU FRONTAL AL/1 INOX	STIRNTAFEL AL/1 STAHL GRUPPE
17	83700061R	KIT FRONTONE AL/2 GLORIA INOX	ASSEMBLY FRONT PANEL AL/2 S.STEEL	ENSEMBLE PANNEAU FRONTAL AL/2 INOX	STIRNTAFEL AL/2 STAHL GRUPPE
17	83700062R	KIT FRONTONE AL/3 GLORIA INOX	ASSEMBLY FRONT PANEL AL/3 S.STEEL	ENSEMBLE PANNEAU FRONTAL AL/3 INOX	STIRNTAFEL AL/3 STAHL GRUPPE
17	83700063R	KIT FRONTONE AL/4 GLORIA INOX	ASSEMBLY FRONT PANEL AL/4 S.STEEL	ENSEMBLE PANNEAU FRONTAL AL/4 INOX	STIRNTAFEL AL/4 STAHL GRUPPE
18	8315029050R	KIT MANOPOLA	KNOB	POIGNEE	HAHGRIFF
19	15029051	TAPPO MANOPOLA	CAP KNOB	BOUCHON POIGNEE	DECKEL HANDGRIFF
20	77607048	PROFILO COPRIFORO INF.DESTRO-SINISTRO FIAN	RIGHT-LEFT PROFILE SIDE	PROFIL DROIT-GAUCHE COTE	RECHT-LINKE PROFIL
21	21203	PLEXIGLASS SEGNALIVELLO	COLOURLESS LEVEL INDICATOR 0	SIGNAL NIVEAU	FARBLOSER NIVEAUANZEIGER
22	23420001	VITE TE BOMBATA M6x12 OT/Ni	M6x12NICKEL-PLATED BRASS HEX.HEAD SCREW	VIS TH LAITON M6x12 NICKEL	SECHSKANTSCHRAUBE AUS MESSING M6x12
23	15373070	TAPPO ABS CROMATO FORO GAS	CHROMED CAP	BOUCHON CHROME COUVRE-TROU DU GAZ	CHROM CAP
24	8377691969R	KIT PROTEZIONE SUPERIORE GRUPPO	ASSEMBLY TOP PROTECTION GROUP	ENSEMBLE PROTECTION SUPERIEURE GROUPE	OBER GRUPPEN SCHUTZ
25	77691968	PROTEZIONE INF.GRUPPO GLORIA	LOWER PROTECTION GROUP	PROTECTION INFER. GROUPE	UNTER GRUPPEN SCHUTZ
26	8377044026R	KIT COPRICALDAIA AL/1 INOX/LUC	ASSEMBLY S.STEEL BOILER COVER AL/1	ENSEMBLE COUVRE-CHAUDIERE INOX AL/1	KESSELDECKEL AL/1 STAHL
26	8377044027R	KIT COPRICALDAIA AL/2 INOX/LUC	ASSEMBLY S.STEEL BOILER COVER AL/2	ENSEMBLE COUVRE-CHAUDIERE INOX AL/2	KESSELDECKEL AL/2 STAHL
26	8377044028R	KIT COPRICALDAIA AL/3 INOX/LUC	ASSEMBLY S.STEEL BOILER COVER AL/3	ENSEMBLE COUVRE-CHAUDIERE INOX AL/3	KESSELDECKEL AL/3 STAHL
26	8377044029R	KIT COPRICALDAIA AL/4 INOX/LUC	ASSEMBLY S.STEEL BOILER COVER AL/4	ENSEMBLE COUVRE-CHAUDIERE INOX AL/4	KESSELDECKEL AL/4 STAHL
27	76153000	GRIGLIA INFERIORE INOX LUC.456x201	LOWER GRILL 456x201 SHINY S.STEEL	GRILLE INF.INOX 456x201	STAHL-UNTERGITTER 456x201
28	76154000	GRIGLIA INF.DESTRA INOX LUC.338.5x201	RIGHT LOWER GRILL -SHINY S.STEEL	GRILLE INF.DROIT INOX 338,5x201	STAHL-UNTER-RECHTEGITTER 338,5x201
29	76155000	GRIGLIA INF.SINISTRA INOX LUC.338.5x201	LEFT LOWER GRILL - SHINY S.STEEL	GRILLE INF.GAUCHE INOX 338,5x201	STAHL-UNTER-LINKEGITTER 338,5x201
30	76156000	GRIGLIA INFERIORE INOX LUC.	LOWER GRILL - SHINY S.STEEL	GRILLE INF.INOX	STAHL-UNTERGITTER
31	76095	BACINELLA 1GR INOX LUCIDO	1GR GLOSSY STAINLESS STEEL TRAY	BASSINELLE 1GR INOX BRILLANT	STAHSCHALE 1GR
31	76096	BACINELLA 2GR INOX LUCIDO	2GR GLOSSY STAINLESS STEEL TRAY	BASSINELLE 2GR INOX BRILLANT	STAHSCHALE 2GR
31	76097	BACINELLA 3GR INOX LUCIDO	3GR GLOSSY STAINLESS STEEL TRAY	BASSINELLE 3GR INOX BRILLANT	STAHSCHALE 3GR
31	76098	BACINELLA 4GR INOX LUCIDO	4GR GLOSSY STAINLESS STEEL TRAY	BASSINELLE 4GR INOX BRILLANT	STAHSCHALE 4GR
32	77487105	PROFILO BAS.ANT.GAS.1GR GLORIA INOX/LUC	BASE SURROUND 1GR S.STEEL GAS	PROFILS BASE 1GR INOX GAZ	GRUNDPROFIL 1GR STAHL GAS
32	77487106	PROFILO BAS.ANT.GAS.2GR GLORIA INOX/LUC	BASE SURROUND 2GR S.STEEL GAS	PROFILS BASE 2GR INOX GAZ	GRUNDPROFIL 2GR STAHL GAS
32	77487107	PROFILO BAS.ANT.GAS.3GR GLORIA INOX/LUC	BASE SURROUND 3GR S.STEEL GAS	PROFILS BASE 3GR INOX GAZ	GRUNDPROFIL 3GR STAHL GAS
32	77487108	PROFILO BAS.ANT.GAS.4GR GLORIA INOX/LUC	BASE SURROUND 4GR S.STEEL GAS	PROFILS BASE 4GR INOX GAZ	GRUNDPROFIL 4GR STAHL GAS
33	77487101	PROFILO BASAMENTO ANT.1GR INOX/LUC	BASE SURROUND 1GR S.STEEL	PROFILS BASE 1GR INOX	GRUNDPROFIL 1GR STAHL
33	77487102	PROFILO BASAMENTO ANT.2GR INOX/LUC	BASE SURROUND 2GR S.STEEL	PROFILS BASE 2GR INOX	GRUNDPROFIL 2GR STAHL
33	77487103	PROFILO BASAMENTO ANT.3GR INOX/LUC	BASE SURROUND 3GR S.STEEL	PROFILS BASE 3GR INOX	GRUNDPROFIL 3GR STAHL
33	77487104	PROFILO BASAMENTO ANT.4GR INOX/LUC	BASE SURROUND 4GR S.STEEL	PROFILS BASE 4GR INOX	GRUNDPROFIL 4GR STAHL

CELESTE - LIGHT BLUE - BLEU CIEL - CELESTE

Pos	Code	Denominazione - IT -	Denomination - EN -	Denomination - FR -	Denomination - DE -
34	77741	GUIDA DESTRA-SINISTRA BACINELLA	R-L BASIN GUIDE FOR FRAMES	GUIDE DX-SX CUVE x CHASSIS	FÜHRUNG RECHTS-LINKS SCHALE FÜR RAH
35	77742005	DISTANZIALE GUIDA BACINELLA	SPACER GLOSSY	ENTRETOISE CUVE	DISTANZSTÜCK
36	77607050	STAFFA INF.SINISTRO FIANCO	LOWER SIDE BRACKET	ETRIER INFERIEUR COTE	SEITE BUGEL UNTER
37	15318002	PIEDINO REGOLABILE INOX/SAT H55/69	ADJUSTABLE FOOT H55/69	PIED REGLABLE H55/69	REGELBARER FUSS H55/69
38	78150055	SUPPORTO MANOMETRO	GAUGE SUPPORT	SUPPORT MANOMETRE	MANOMETERHALTER
39	4621113	MANOMETRO TONDO 3Atm A LEVA CW510L	ROUND PRESSURE GAUGE 3ATM	MANOMETRE 3Atm AL	MANOMETER 3Atm AL
40	29089361	TARGHETTA ADESIVA GLORIA	ADHESIVE LABEL GLORIA	ETIQUETTE ADHESIVE GLORIA	KLEBEETIKETTE GLORIA
41	29089385	TARGHETTA ADESIVA ASTORIA	ADHESIVE LABEL ASTORIA	ETIQUETTE ADHESIVE ASTORIA	KLEBEETIKETTE ASTORIA



27	1GR
28+29	2GR
28+30+29	3GR
28+30+30+29	4GR

32	GAS
33	STANDARD

NERO/CROMO - BLACK/CHROME - NOIR/CHROME - SCHWARZ/CHROMIERT

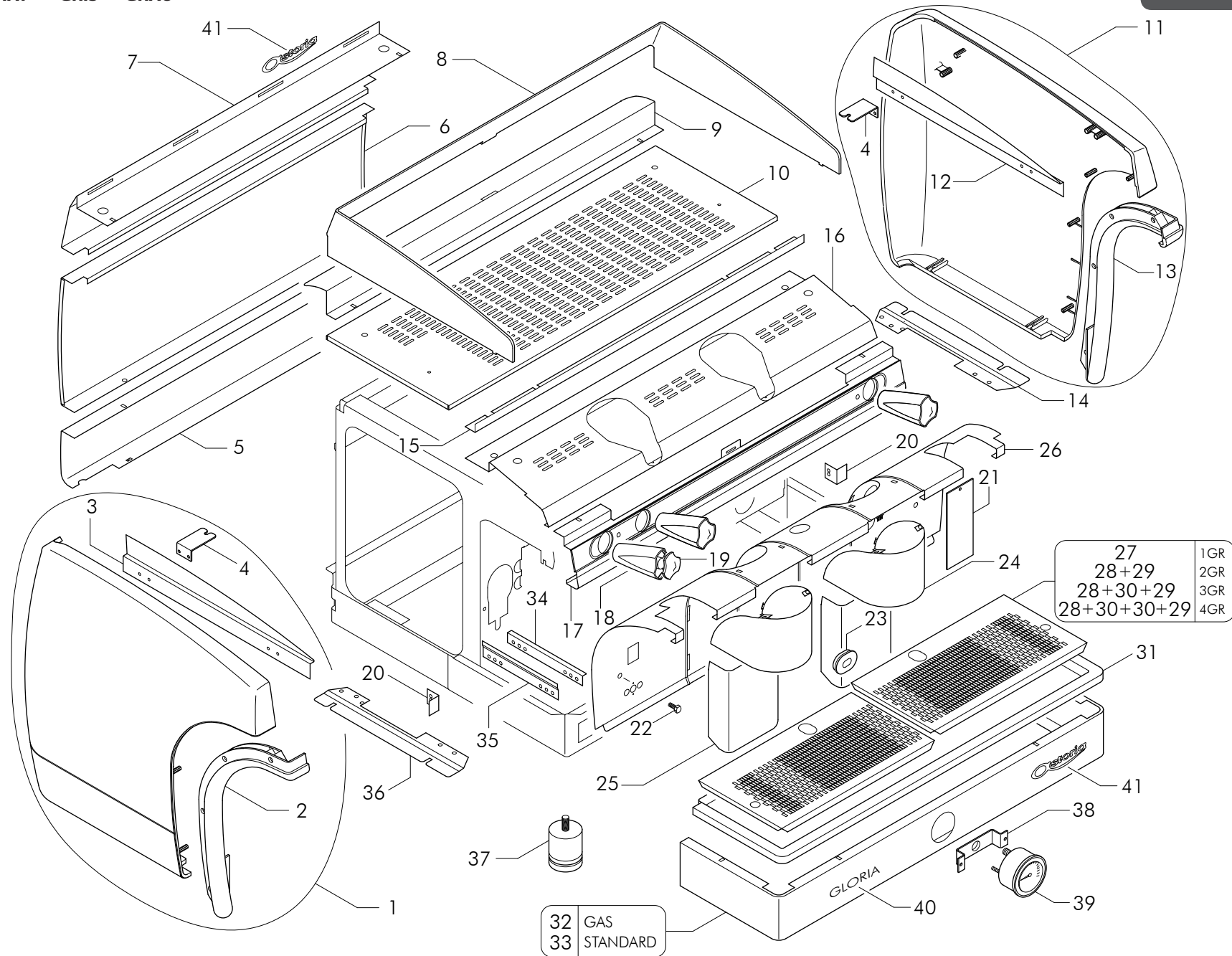
Pos	Code	Denominazione - IT -	Denomination - EN -	Denomination - FR -	Denomination - DE -
1	56910105	FIANCO ASSIEMATO SINISTRO GLORIA NERO	ASSEMBLY LEFT SIDE PANEL BLACK	ASSEMBLE COTE GAUCHE NOIR	LINKE SEITE SCHWARZ
2	77498501	PROFILO FIANCO SINISTRO CROMO	LEFT SIDE STRIP CHROME	PROFILS POUR COTE GAUCHE CHROME	PROFIL FUR LINKE SEITE GLORIA CHROM
3	77607052	PROFILO INTERNO SINISTRO FIANCO	INTERNAL STRIP LEFT	PROFIL INT. GAUCHE	PROFIL INNEN LINKE
4	78167010	STAFFA SUP.DX-SX SUPPORTO FIANCO	RH-LH PANEL SUPPORT	SUPPORT DR-GA COTE	RECHTS/LINKS HALTER
5	75288036	PANNELLO INF.1GR GLORIA NERO RAL9005+BRILL	LOWER PANEL 1GR BLACK	PANNEAU INF. 1GR NOIR	UNTERTAFEL 1GR SCHWARZ
5	75288040	PANNELLO INF.2GR GLORIA NERO RAL9005+BRILL	LOWER PANEL 2GR BLACK	PANNEAU INF. 2GR NOIR	UNTERTAFEL 2GR SCHWARZ
5	75288044	PANNELLO INF.3GR GLORIA NERO RAL9005+BRILL	LOWER PANEL 3GR BLACK	PANNEAU INF. 3GR NOIR	UNTERTAFEL 3GR SCHWARZ
5	75288048	PANNELLO INF.4GR GLORIA NERO RAL9005+BRILL	LOWER PANEL 4GR BLACK	PANNEAU INF. 4GR NOIR	UNTERTAFEL 4GR SCHWARZ
6	75288037	PANNELLO CENT.1GR GLORIA NERO RAL9005+BRIL	CENTRAL PANEL 1GR BLACK	PANNEAU CENTRAL 1GR NOIR	ZENTRALTAFEL 1GR SCHWARZ
6	75288041	PANNELLO CENT.2GR GLORIA NERO RAL9005+BRIL	CENTRAL PANEL 2GR BLACK	PANNEAU CENTRAL 2GR NOIR	ZENTRALTAFEL 2GR SCHWARZ
6	75288045	PANNELLO CENT.3GR GLORIA NERO RAL9005+BRIL	CENTRAL PANEL 3GR BLACK	PANNEAU CENTRAL 3GR NOIR	ZENTRALTAFEL 3GR SCHWARZ
6	75288049	PANNELLO CENT.4GR GLORIA NERO RAL9005+BRIL	CENTRAL PANEL 4GR BLACK	PANNEAU CENTRAL 4GR NOIR	ZENTRALTAFEL 4GR SCHWARZ
7	75288038	PANNELLO SUP.1GR GLORIA NERO RAL9005+BRILL	TOP PANEL 1GR BLACK	PANNEAU SUPERIEURE 1GR NOIR	OBERTAFEL 1GR SCHWARZ
7	75288042	PANNELLO SUP.2GR GLORIA NERO RAL9005+BRILL	TOP PANEL 2GR BLACK	PANNEAU SUPERIEURE 2GR NOIR	OBERTAFEL 2GR SCHWARZ
7	75288046	PANNELLO SUP.3GR GLORIA NERO RAL9005+BRILL	TOP PANEL 3GR BLACK	PANNEAU SUPERIEURE 3GR NOIR	OBERTAFEL 3GR SCHWARZ
7	75288050	PANNELLO SUP.4GR GLORIA NERO RAL9005+BRILL	TOP PANEL 4GR BLACK	PANNEAU SUPERIEURE 4GR NOIR	OBERTAFEL 4GR SCHWARZ
8	21162147	PLEXIGLASS 1GR	PLEXIGLASS 1GR	PLEXIGLASS 1GR	PLEXIGLASS 1GR
8	21162148	PLEXIGLASS 2GR	PLEXIGLASS 2GR	PLEXIGLASS 2GR	PLEXIGLASS 2GR
8	21162149	PLEXIGLASS 3GR	PLEXIGLASS 3GR	PLEXIGLASS 3GR	PLEXIGLASS 3GR
8	21162150	PLEXIGLASS 4GR	PLEXIGLASS 4GR	PLEXIGLASS 4GR	PLEXIGLASS 4GR
9	75288007	PROFILO SUP.FERMA PLEXIGLASS 1GR INOX	PLEXIGLASS SUPPORT 1GR S.STEEL	SUPPORT PLEXIGLASS 1GR INOX	PLEXIGLASSHALTER 1GR STAHL
9	75288011	PROFILO SUP.FERMA PLEXIGLASS 2GR INOX	PLEXIGLASS SUPPORT 2GR S.STEEL	SUPPORT PLEXIGLASS 2GR INOX	PLEXIGLASSHALTER 2GR STAHL
9	75288015	PROFILO SUP.FERMA PLEXIGLASS 3GR INOX	PLEXIGLASS SUPPORT 3GR S.STEEL	SUPPORT PLEXIGLASS 3GR INOX	PLEXIGLASSHALTER 3GR STAHL
9	75288019	PROFILO SUP.FERMA PLEXIGLASS 4GR INOX	PLEXIGLASS SUPPORT 4GR S.STEEL	SUPPORT PLEXIGLASS 4GR INOX	PLEXIGLASSHALTER 4GR STAHL
10	76100109	GRIGLIA SUPERIORE AL/1 GLORIA INOX	TOP GRATE AL/1 S.STEEL	GRILLE SUP. AL/1 INOX	OBERGITTER AL/1 STAHL
10	76100110	GRIGLIA SUPERIORE AL/2 GLORIA INOX	TOP GRATE AL/2 S.STEEL	GRILLE SUP. AL/2 INOX	OBERGITTER AL/2 STAHL
10	76100111	GRIGLIA SUPERIORE AL/3 GLORIA INOX	TOP GRATE AL/3 S.STEEL	GRILLE SUP. AL/3 INOX	OBERGITTER AL/3 STAHL
10	76100112	GRIGLIA SUPERIORE AL/4 GLORIA INOX	TOP GRATE AL/4 S.STEEL	GRILLE SUP. AL/4 INOX	OBERGITTER AL/4 STAHL
11	56910104	FIANCO ASSIEMATO DESTRO GLORIA NERO	ASSEMBLY RIGHT SIDE PANEL BLACK	ASSEMBLE COTE DROITE NOIR	RECHTE SEITE SCHWARZ
12	77607051	PROFILO INTERNO DESTRO FIANCO	INTERNAL STRIP RIGHT	PROFIL INT. COTE DROIT	PROFIL INNEN RECHTE
13	77498500	PROFILO FIANCO DESTRO CROMO	RIGHT SIDE STRIP CHROME	PROFILS POUR COTE DROIT CHROME	PROFIL FUR RECHTE SEITE CHROME
14	77607049	STAFFA INF.DESTRA FIANCO	LOWER SIDE BRACKET	ETRIER INFERIEUR COTE	SEITE BUGEL UNTER
15	77691986	PROTEZIONE ANT.FERMATAZZE 1GR INOX	BLOCK CUP 1GR S.STEEL	FERMETURE TASSE 1GR INOX	BLOCK TASSE 1GR STAHL
15	77691987	PROTEZIONE ANT.FERMATAZZE 2GR INOX	BLOCK CUP 2GR S.STEEL	FERMETURE TASSE 2GR INOX	BLOCK TASSE 2GR STAHL
15	77691988	PROTEZIONE ANT.FERMATAZZE 3GR INOX	BLOCK CUP 3GR S.STEEL	FERMETURE TASSE 3GR INOX	BLOCK TASSE 3GR STAHL
15	77691989	PROTEZIONE ANT.FERMATAZZE 4GR INOX	BLOCK CUP 4GR S.STEEL	FERMETURE TASSE 4GR INOX	BLOCK TASSE 4GR STAHL

NERO/CROMO - BLACK/CHROME - NOIR/CHROME - SCHWARZ/CHROMIERT

Pos	Code	Denominazione - IT -	Denomination - EN -	Denomination - FR -	Denomination - DE -
16	72699115	COPRIGRUPPO AL/1 GLORIA INOX LUC.	S.STEEL GROUP-COVER AL/1	COUVRE-GROUPE INOX AL/1	STAHL/GRUPPENDECKEL AL/1
16	72699116	COPRIGRUPPO AL/2 GLORIA INOX LUC.	S.STEEL GROUP-COVER AL/2	COUVRE-GROUPE INOX AL/2	STAHL/GRUPPENDECKEL AL/2
16	72699117	COPRIGRUPPO AL/3 GLORIA INOX LUC.	S.STEEL GROUP-COVER AL/3	COUVRE-GROUPE INOX AL/3	STAHL/GRUPPENDECKEL AL/3
16	72699118	COPRIGRUPPO AL/3 GLORIA INOX LUC.	S.STEEL GROUP-COVER AL/4	COUVRE-GROUPE INOX AL/4	STAHL/GRUPPENDECKEL AL/4
17	83700060R	KIT FRONTONE AL/1 GLORIA INOX	ASSEMBLY FRONT PANEL AL/1 S.STEEL	ENSEMBLE PANNEAU FRONTAL AL/1 INOX	STIRNTAFEL AL/1 STAHL GRUPPE
17	83700061R	KIT FRONTONE AL/2 GLORIA INOX	ASSEMBLY FRONT PANEL AL/2 S.STEEL	ENSEMBLE PANNEAU FRONTAL AL/2 INOX	STIRNTAFEL AL/2 STAHL GRUPPE
17	83700062R	KIT FRONTONE AL/3 GLORIA INOX	ASSEMBLY FRONT PANEL AL/3 S.STEEL	ENSEMBLE PANNEAU FRONTAL AL/3 INOX	STIRNTAFEL AL/3 STAHL GRUPPE
17	83700063R	KIT FRONTONE AL/4 GLORIA INOX	ASSEMBLY FRONT PANEL AL/4 S.STEEL	ENSEMBLE PANNEAU FRONTAL AL/4 INOX	STIRNTAFEL AL/4 STAHL GRUPPE
18	8315029050R	KIT MANOPOLA	KNOB	POIGNEE	HAHGRIFF
19	15029051	TAPPO MANOPOLA	CAP KNOB	BOUCHON POIGNEE	DECKEL HANDGRIFF
20	77607048	PROFILO COPRIFORO INF.DESTRO-SINISTRO FIAN	RIGHT-LEFT PROFILE SIDE	PROFIL DROIT-GAUCHE COTE	RECHT-LINKE PROFIL
21	21203	PLEXIGLASS SEGNALIVELLO	COLOURLESS LEVEL INDICATOR 0	SIGNAL NIVEAU	FARBLOSER NIVEAUANZEIGER
22	23420001	VITE TE BOMBATA M6x12 OT/Ni	M6x12NICKEL-PLATED BRASS HEX.HEAD SCREW	VIS TH LAITON M6x12 NICKEL	SECHSKANTSCHRAUBE AUS MESSING M6x12
23	15373070	TAPPO ABS CROMATO FORO GAS	CHROMED CAP	BOUCHON CHROME COUVRE-TROU DU GAZ	CHROM CAP
24	8377691969R	KIT PROTEZIONE SUPERIORE GRUPPO	ASSEMBLY TOP PROTECTION GROUP	ENSEMBLE PROTECTION SUPERIEURE GROUPE	OBER GRUPPEN SCHUTZ
25	77691968	PROTEZIONE INF.GRUPPO GLORIA	LOWER PROTECTION GROUP	PROTECTION INFER. GROUPE	UNTER GRUPPEN SCHUTZ
26	8377044026R	KIT COPRICALDAIA AL/1 INOX/LUC	ASSEMBLY S.STEEL BOILER COVER AL/1	ENSEMBLE COUVRE-CHAUDIERE INOX AL/1	KESSELDECKEL AL/1 STAHL
26	8377044027R	KIT COPRICALDAIA AL/2 INOX/LUC	ASSEMBLY S.STEEL BOILER COVER AL/2	ENSEMBLE COUVRE-CHAUDIERE INOX AL/2	KESSELDECKEL AL/2 STAHL
26	8377044028R	KIT COPRICALDAIA AL/3 INOX/LUC	ASSEMBLY S.STEEL BOILER COVER AL/3	ENSEMBLE COUVRE-CHAUDIERE INOX AL/3	KESSELDECKEL AL/3 STAHL
26	8377044029R	KIT COPRICALDAIA AL/4 INOX/LUC	ASSEMBLY S.STEEL BOILER COVER AL/4	ENSEMBLE COUVRE-CHAUDIERE INOX AL/4	KESSELDECKEL AL/4 STAHL
27	76153000	GRIGLIA INFERIORE INOX LUC.456x201	LOWER GRILL 456x201 SHINY S.STEEL	GRILLE INF.INOX 456x201	STAHL-UNTERGITTER 456x201
28	76154000	GRIGLIA INF.DESTRA INOX LUC.338.5x201	RIGHT LOWER GRILL -SHINY S.STEEL	GRILLE INF.DROIT INOX 338,5x201	STAHL-UNTER-RECHTEGITTER 338,5x201
29	76155000	GRIGLIA INF.SINISTRA INOX LUC.338.5x201	LEFT LOWER GRILL - SHINY S.STEEL	GRILLE INF.GAUCHE INOX 338,5x201	STAHL-UNTER-LINKEGITTER 338,5x201
30	76156000	GRIGLIA INFERIORE INOX LUC.	LOWER GRILL - SHINY S.STEEL	GRILLE INF.INOX	STAHL-UNTERGITTER
31	76095	BACINELLA 1GR INOX LUCIDO	1GR GLOSSY STAINLESS STEEL TRAY	BASSINELLE 1GR INOX BRILLANT	STAHSCHALE 1GR
31	76096	BACINELLA 2GR INOX LUCIDO	2GR GLOSSY STAINLESS STEEL TRAY	BASSINELLE 2GR INOX BRILLANT	STAHSCHALE 2GR
31	76097	BACINELLA 3GR INOX LUCIDO	3GR GLOSSY STAINLESS STEEL TRAY	BASSINELLE 3GR INOX BRILLANT	STAHSCHALE 3GR
31	76098	BACINELLA 4GR INOX LUCIDO	4GR GLOSSY STAINLESS STEEL TRAY	BASSINELLE 4GR INOX BRILLANT	STAHSCHALE 4GR
32	77487105	PROFILO BAS.ANT.GAS.1GR GLORIA INOX/LUC	BASE SURROUND 1GR S.STEEL GAS	PROFILS BASE 1GR INOX GAZ	GRUNDPROFIL 1GR STAHL GAS
32	77487106	PROFILO BAS.ANT.GAS.2GR GLORIA INOX/LUC	BASE SURROUND 2GR S.STEEL GAS	PROFILS BASE 2GR INOX GAZ	GRUNDPROFIL 2GR STAHL GAS
32	77487107	PROFILO BAS.ANT.GAS.3GR GLORIA INOX/LUC	BASE SURROUND 3GR S.STEEL GAS	PROFILS BASE 3GR INOX GAZ	GRUNDPROFIL 3GR STAHL GAS
32	77487108	PROFILO BAS.ANT.GAS.4GR GLORIA INOX/LUC	BASE SURROUND 4GR S.STEEL GAS	PROFILS BASE 4GR INOX GAZ	GRUNDPROFIL 4GR STAHL GAS
33	77487101	PROFILO BASAMENTO ANT.1GR INOX/LUC	BASE SURROUND 1GR S.STEEL	PROFILS BASE 1GR INOX	GRUNDPROFIL 1GR STAHL
33	77487102	PROFILO BASAMENTO ANT.2GR INOX/LUC	BASE SURROUND 2GR S.STEEL	PROFILS BASE 2GR INOX	GRUNDPROFIL 2GR STAHL
33	77487103	PROFILO BASAMENTO ANT.3GR INOX/LUC	BASE SURROUND 3GR S.STEEL	PROFILS BASE 3GR INOX	GRUNDPROFIL 3GR STAHL
33	77487104	PROFILO BASAMENTO ANT.4GR INOX/LUC	BASE SURROUND 4GR S.STEEL	PROFILS BASE 4GR INOX	GRUNDPROFIL 4GR STAHL

NERO/CROMO - BLACK/CHROME - NOIR/CHROME - SCHWARZ/CHROMIERT

Pos	Code	Denominazione - IT -	Denomination - EN -	Denomination - FR -	Denomination - DE -
34	77741	GUIDA DESTRA-SINISTRA BACINELLA	R-L BASIN GUIDE FOR FRAMES	GUIDE DX-SX CUVE x CHASSIS	FÜHRUNG RECHTS-LINKS SCHALE FÜR RAH
35	77742005	DISTANZIALE GUIDA BACINELLA	SPACER GLOSSY	ENTRETOISE CUVE	DISTANZSTUCK
36	77607050	STAFFA INF.SINISTRO FIANCO	LOWER SIDE BRACKET	ETRIER INFERIEUR COTE	SEITE BUGEL UNTER
37	15318002	PIEDINO REGOLABILE INOX/SAT H55/69	ADJUSTABLE FOOT H55/69	PIED REGLABLE H55/69	REGELBARER FUSS H55/69
38	78150055	SUPPORTO MANOMETRO	GAUGE SUPPORT	SUPPORT MANOMETRE	MANOMETERHALTER
39	4621113	MANOMETRO TONDO 3Atm A LEVA CW510L	ROUND PRESSURE GAUGE 3ATM	MANOMETRE 3Atm AL	MANOMETER 3Atm AL
40	29089361	TARGHETTA ADESIVA GLORIA	ADHESIVE LABEL GLORIA	ETIQUETTE ADHESIVE GLORIA	KLEBEETIKETTE GLORIA
41	29089385	TARGHETTA ADESIVA ASTORIA	ADHESIVE LABEL ASTORIA	ETIQUETTE ADHESIVE ASTORIA	KLEBEETIKETTE ASTORIA



GRIGIO - GRAY - GRIS - GRAU

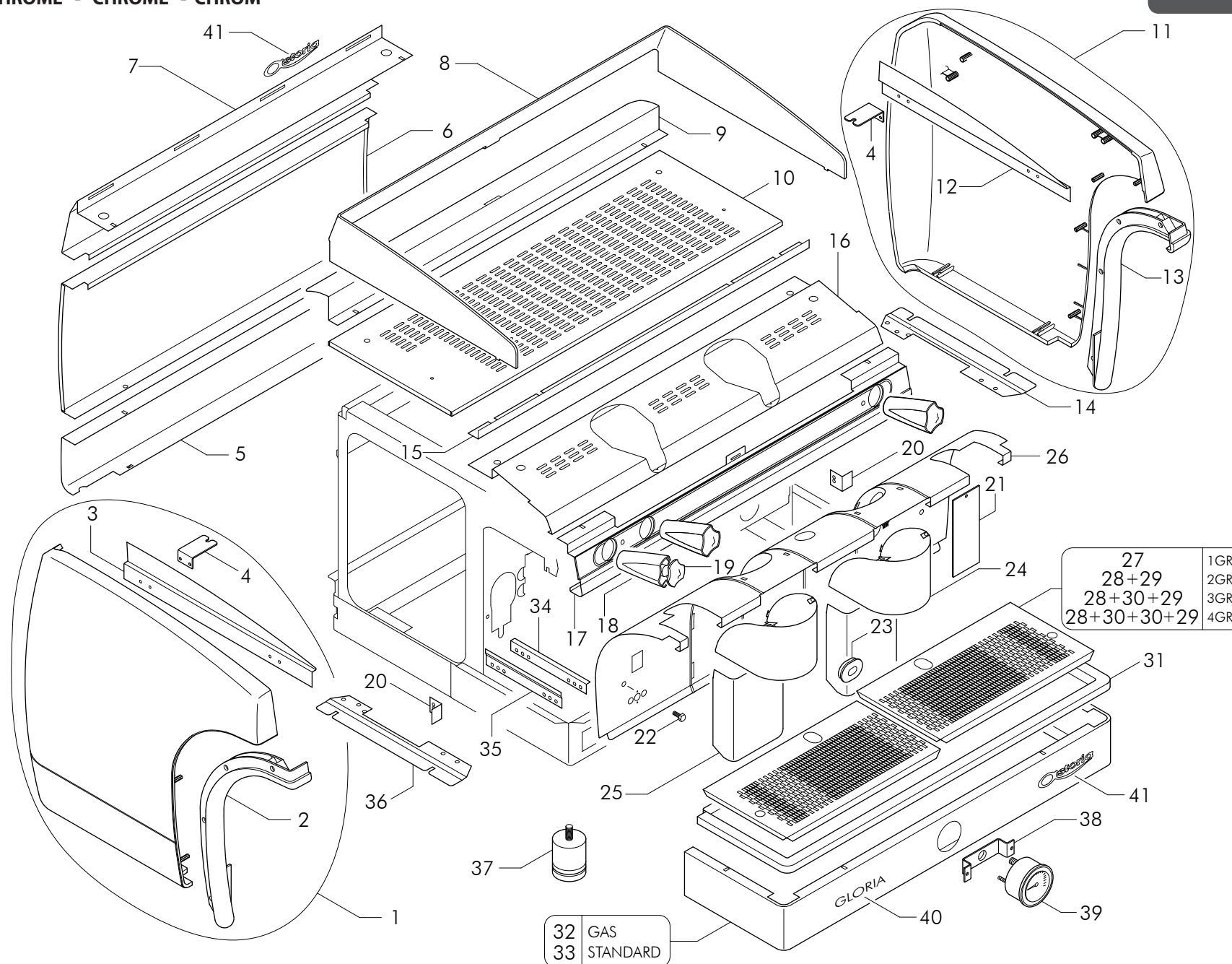
Pos	Code	Denominazione - IT -	Denomination - EN -	Denomination - FR -	Denomination - DE -
1	56910111	FIANCO ASSIEMATO SINISTRO GRIGIO	LEFT SIDE PANEL GREY COLOUR	ASSEMBLE COTE GAUCHE GRIS	RECHTE SEITE GRAU
2	77498501	PROFILO FIANCO SINISTRO CROMO	LEFT SIDE STRIP CHROME	PROFILS POUR COTE GAUCHE CHROME	PROFIL FUR LINKE SEITE GLORIA CHROM
3	77607052	PROFILO INTERNO SINISTRO FIANCO	INTERNAL STRIP LEFT	PROFIL INT. GAUCHE	PROFIL INNEN LINKE
4	78167010	STAFFA SUP.DX-SX SUPPORTO FIANCO	RH-LH PANEL SUPPORT	SUPPORT DR-GA COTE	RECHTS/LINKS HALTER
5	75288078	PANNELLO INF.1GR GRIGIO	LOWER PANEL 1GR GRAY	PANNEAU INF. 1GR GRIS	UNTERTAFEL 1GR GRAU
5	75288081	PANNELLO INF.2GR GRIGIO	LOWER PANEL 2GR GRAY	PANNEAU INF. 2GR GRIS	UNTERTAFEL 2GR GRAU
5	75288084	PANNELLO INF.3GR GRIGIO	LOWER PANEL 3GR GRAY	PANNEAU INF. 3GR GRIS	UNTERTAFEL 3GR GRAU
5	75288087	PANNELLO INF.4GR GRIGIO	LOWER PANEL 4GR GRAY	PANNEAU INF. 4GR GRIS	UNTERTAFEL 4GR GRAU
6	75288079	PANNELLO CENT.1GR GRIGIO	CENTRAL PANEL 1GR GRAY	PANNEAU CENTRAL 1GR GRIS	ZENTRALTAFEL 1GR GRAU
6	75288082	PANNELLO CENT.2GR GRIGIO	CENTRAL PANEL 2GR GRAY	PANNEAU CENTRAL 2GR GRIS	ZENTRALTAFEL 2GR GRAU
6	75288085	PANNELLO CENT.3GR GRIGIO	CENTRAL PANEL 3GR GRAY	PANNEAU CENTRAL 3GR GRIS	ZENTRALTAFEL 3GR GRAU
6	75288088	PANNELLO CENT.4GR GRIGIO	CENTRAL PANEL 4GR GRAY	PANNEAU CENTRAL 4GR GRIS	ZENTRALTAFEL 4GR GRAU
7	75288080	PANNELLO SUP.1GR GRIGIO	TOP PANEL 1GR GRAY	PANNEAU SUPERIEURE 1GR GRIS	OBERTAFEL 1GR GRAU
7	75288083	PANNELLO SUP.2GR GRIGIO	TOP PANEL 2GR GRAY	PANNEAU SUPERIEURE 2GR GRIS	OBERTAFEL 2GR GRAU
7	75288086	PANNELLO SUP.3GR GRIGIO	TOP PANEL 3GR GRAY	PANNEAU SUPERIEURE 3GR GRIS	OBERTAFEL 3GR GRAU
7	75288089	PANNELLO SUP.4GR GRIGIO	TOP PANEL 4GR GRAY	PANNEAU SUPERIEURE 4GR GRIS	OBERTAFEL 4GR GRAU
8	21162147	PLEXIGLASS 1GR	PLEXIGLASS 1GR	PLEXIGLASS 1GR	PLEXIGLASS 1GR
8	21162148	PLEXIGLASS 2GR	PLEXIGLASS 2GR	PLEXIGLASS 2GR	PLEXIGLASS 2GR
8	21162149	PLEXIGLASS 3GR	PLEXIGLASS 3GR	PLEXIGLASS 3GR	PLEXIGLASS 3GR
8	21162150	PLEXIGLASS 4GR	PLEXIGLASS 4GR	PLEXIGLASS 4GR	PLEXIGLASS 4GR
9	75288007	PROFILO SUP.FERMA PLEXIGLASS 1GR INOX	PLEXIGLASS SUPPORT 1GR S.STEEL	SUPPORT PLEXIGLASS 1GR INOX	PLEXIGLASSHALTER 1GR STAHL
9	75288011	PROFILO SUP.FERMA PLEXIGLASS 2GR INOX	PLEXIGLASS SUPPORT 2GR S.STEEL	SUPPORT PLEXIGLASS 2GR INOX	PLEXIGLASSHALTER 2GR STAHL
9	75288015	PROFILO SUP.FERMA PLEXIGLASS 3GR INOX	PLEXIGLASS SUPPORT 3GR S.STEEL	SUPPORT PLEXIGLASS 3GR INOX	PLEXIGLASSHALTER 3GR STAHL
9	75288019	PROFILO SUP.FERMA PLEXIGLASS 4GR INOX	PLEXIGLASS SUPPORT 4GR S.STEEL	SUPPORT PLEXIGLASS 4GR INOX	PLEXIGLASSHALTER 4GR STAHL
10	76100109	GRIGLIA SUPERIORE AL/1 GLORIA INOX	TOP GRATE AL/1 S.STEEL	GRILLE SUP. AL/1 INOX	OBERGITTER AL/1 STAHL
10	76100110	GRIGLIA SUPERIORE AL/2 GLORIA INOX	TOP GRATE AL/2 S.STEEL	GRILLE SUP. AL/2 INOX	OBERGITTER AL/2 STAHL
10	76100111	GRIGLIA SUPERIORE AL/3 GLORIA INOX	TOP GRATE AL/3 S.STEEL	GRILLE SUP. AL/3 INOX	OBERGITTER AL/3 STAHL
10	76100112	GRIGLIA SUPERIORE AL/4 GLORIA INOX	TOP GRATE AL/4 S.STEEL	GRILLE SUP. AL/4 INOX	OBERGITTER AL/4 STAHL
11	56910110	FIANCO ASSIEMATO DESTRO GRIGIO	RIGHT SIDE PANEL GREY COLOUR	ASSEMBLE COTE DROIT GRIS	LINKE SEITE GRAU
12	77607051	PROFILO INTERNO DESTRO FIANCO	INTERNAL STRIP RIGHT	PROFIL INT. COTE DROIT	PROFIL INNEN RECHTE
13	77498500	PROFILO FIANCO DESTRO CROMO	RIGHT SIDE STRIP CHROME	PROFILS POUR COTE DROIT CHROME	PROFIL FUR RECHTE SEITE CHROME
14	77607049	STAFFA INF.DESTRA FIANCO	LOWER SIDE BRACKET	ETRIER INFERIEUR COTE	SEITE BUGEL UNTER
15	77691986	PROTEZIONE ANT.FERMATAZZE 1GR INOX	BLOCK CUP 1GR S.STEEL	FERMETURE TASSE 1GR INOX	BLOCK TASSE 1GR STAHL
15	77691987	PROTEZIONE ANT.FERMATAZZE 2GR INOX	BLOCK CUP 2GR S.STEEL	FERMETURE TASSE 2GR INOX	BLOCK TASSE 2GR STAHL
15	77691988	PROTEZIONE ANT.FERMATAZZE 3GR INOX	BLOCK CUP 3GR S.STEEL	FERMETURE TASSE 3GR INOX	BLOCK TASSE 3GR STAHL
15	77691989	PROTEZIONE ANT.FERMATAZZE 4GR INOX	BLOCK CUP 4GR S.STEEL	FERMETURE TASSE 4GR INOX	BLOCK TASSE 4GR STAHL

GRIGIO - GRAY - GRIS - GRAU

Pos	Code	Denominazione - IT -	Denomination - EN -	Denomination - FR -	Denomination - DE -
16	72699115	COPRIGRUPPO AL/1 GLORIA INOX LUC.	S.STEEL GROUP-COVER AL/1	COUVRE-GROUPE INOX AL/1	STAHL/GRUPPENDECKEL AL/1
16	72699116	COPRIGRUPPO AL/2 GLORIA INOX LUC.	S.STEEL GROUP-COVER AL/2	COUVRE-GROUPE INOX AL/2	STAHL/GRUPPENDECKEL AL/2
16	72699117	COPRIGRUPPO AL/3 GLORIA INOX LUC.	S.STEEL GROUP-COVER AL/3	COUVRE-GROUPE INOX AL/3	STAHL/GRUPPENDECKEL AL/3
16	72699118	COPRIGRUPPO AL/3 GLORIA INOX LUC.	S.STEEL GROUP-COVER AL/4	COUVRE-GROUPE INOX AL/4	STAHL/GRUPPENDECKEL AL/4
17	83700060R	KIT FRONTONE AL/1 GLORIA INOX	ASSEMBLY FRONT PANEL AL/1 S.STEEL	ENSEMBLE PANNEAU FRONTAL AL/1 INOX	STIRNTAFEL AL/1 STAHL GRUPPE
17	83700061R	KIT FRONTONE AL/2 GLORIA INOX	ASSEMBLY FRONT PANEL AL/2 S.STEEL	ENSEMBLE PANNEAU FRONTAL AL/2 INOX	STIRNTAFEL AL/2 STAHL GRUPPE
17	83700062R	KIT FRONTONE AL/3 GLORIA INOX	ASSEMBLY FRONT PANEL AL/3 S.STEEL	ENSEMBLE PANNEAU FRONTAL AL/3 INOX	STIRNTAFEL AL/3 STAHL GRUPPE
17	83700063R	KIT FRONTONE AL/4 GLORIA INOX	ASSEMBLY FRONT PANEL AL/4 S.STEEL	ENSEMBLE PANNEAU FRONTAL AL/4 INOX	STIRNTAFEL AL/4 STAHL GRUPPE
18	8315029050R	KIT MANOPOLA	KNOB	POIGNEE	HAHGRIFF
19	15029051	TAPPO MANOPOLA	CAP KNOB	BOUCHON POIGNEE	DECKEL HANDGRIFF
20	77607048	PROFILO COPRIFORO INF.DESTRO-SINISTRO FIAN	RIGHT-LEFT PROFILE SIDE	PROFIL DROIT-GAUCHE COTE	RECHT-LINKE PROFIL
21	21203	PLEXIGLASS SEGNALIVELLO	COLOURLESS LEVEL INDICATOR 0	SIGNAL NIVEAU	FARBLOSER NIVEAUANZEIGER
22	23420001	VITE TE BOMBATA M6x12 OT/Ni	M6x12NICKEL-PLATED BRASS HEX.HEAD SCREW	VIS TH LAITON M6x12 NICKEL	SECHSKANTSCHRAUBE AUS MESSING M6x12
23	15373070	TAPPO ABS CROMATO FORO GAS	CHROMED CAP	BOUCHON CHROME COUVRE-TROU DU GAZ	CHROM CAP
24	8377691969R	KIT PROTEZIONE SUPERIORE GRUPPO	ASSEMBLY TOP PROTECTION GROUP	ENSEMBLE PROTECTION SUPERIEURE GROUPE	OBER GRUPPEN SCHUTZ
25	77691968	PROTEZIONE INF.GRUPPO GLORIA	LOWER PROTECTION GROUP	PROTECTION INFER. GROUPE	UNTER GRUPPEN SCHUTZ
26	8377044026R	KIT COPRICALDAIA AL/1 INOX/LUC	ASSEMBLY S.STEEL BOILER COVER AL/1	ENSEMBLE COUVRE-CHAUDIERE INOX AL/1	KESSELDECKEL AL/1 STAHL
26	8377044027R	KIT COPRICALDAIA AL/2 INOX/LUC	ASSEMBLY S.STEEL BOILER COVER AL/2	ENSEMBLE COUVRE-CHAUDIERE INOX AL/2	KESSELDECKEL AL/2 STAHL
26	8377044028R	KIT COPRICALDAIA AL/3 INOX/LUC	ASSEMBLY S.STEEL BOILER COVER AL/3	ENSEMBLE COUVRE-CHAUDIERE INOX AL/3	KESSELDECKEL AL/3 STAHL
26	8377044029R	KIT COPRICALDAIA AL/4 INOX/LUC	ASSEMBLY S.STEEL BOILER COVER AL/4	ENSEMBLE COUVRE-CHAUDIERE INOX AL/4	KESSELDECKEL AL/4 STAHL
27	76153000	GRIGLIA INFERIORE INOX LUC.456x201	LOWER GRILL 456x201 SHINY S.STEEL	GRILLE INF.INOX 456x201	STAHL-UNTERGITTER 456x201
28	76154000	GRIGLIA INF.DESTRA INOX LUC.338.5x201	RIGHT LOWER GRILL -SHINY S.STEEL	GRILLE INF.DROIT INOX 338,5x201	STAHL-UNTER-RECHTEGITTER 338,5x201
29	76155000	GRIGLIA INF.SINISTRA INOX LUC.338.5x201	LEFT LOWER GRILL - SHINY S.STEEL	GRILLE INF.GAUCHE INOX 338,5x201	STAHL-UNTER-LINKEGITTER 338,5x201
30	76156000	GRIGLIA INFERIORE INOX LUC.	LOWER GRILL - SHINY S.STEEL	GRILLE INF.INOX	STAHL-UNTERGITTER
31	76095	BACINELLA 1GR INOX LUCIDO	1GR GLOSSY STAINLESS STEEL TRAY	BASSINELLE 1GR INOX BRILLANT	STAHSCHALE 1GR
31	76096	BACINELLA 2GR INOX LUCIDO	2GR GLOSSY STAINLESS STEEL TRAY	BASSINELLE 2GR INOX BRILLANT	STAHSCHALE 2GR
31	76097	BACINELLA 3GR INOX LUCIDO	3GR GLOSSY STAINLESS STEEL TRAY	BASSINELLE 3GR INOX BRILLANT	STAHSCHALE 3GR
31	76098	BACINELLA 4GR INOX LUCIDO	4GR GLOSSY STAINLESS STEEL TRAY	BASSINELLE 4GR INOX BRILLANT	STAHSCHALE 4GR
32	77487105	PROFILO BAS.ANT.GAS.1GR GLORIA INOX/LUC	BASE SURROUND 1GR S.STEEL GAS	PROFILS BASE 1GR INOX GAZ	GRUNDPROFIL 1GR STAHL GAS
32	77487106	PROFILO BAS.ANT.GAS.2GR GLORIA INOX/LUC	BASE SURROUND 2GR S.STEEL GAS	PROFILS BASE 2GR INOX GAZ	GRUNDPROFIL 2GR STAHL GAS
32	77487107	PROFILO BAS.ANT.GAS.3GR GLORIA INOX/LUC	BASE SURROUND 3GR S.STEEL GAS	PROFILS BASE 3GR INOX GAZ	GRUNDPROFIL 3GR STAHL GAS
32	77487108	PROFILO BAS.ANT.GAS.4GR GLORIA INOX/LUC	BASE SURROUND 4GR S.STEEL GAS	PROFILS BASE 4GR INOX GAZ	GRUNDPROFIL 4GR STAHL GAS
33	77487101	PROFILO BASAMENTO ANT.1GR INOX/LUC	BASE SURROUND 1GR S.STEEL	PROFILS BASE 1GR INOX	GRUNDPROFIL 1GR STAHL
33	77487102	PROFILO BASAMENTO ANT.2GR INOX/LUC	BASE SURROUND 2GR S.STEEL	PROFILS BASE 2GR INOX	GRUNDPROFIL 2GR STAHL
33	77487103	PROFILO BASAMENTO ANT.3GR INOX/LUC	BASE SURROUND 3GR S.STEEL	PROFILS BASE 3GR INOX	GRUNDPROFIL 3GR STAHL
33	77487104	PROFILO BASAMENTO ANT.4GR INOX/LUC	BASE SURROUND 4GR S.STEEL	PROFILS BASE 4GR INOX	GRUNDPROFIL 4GR STAHL

GRIGIO - GRAY - GRIS - GRAU

Pos	Code	Denominazione - IT -	Denomination - EN -	Denomination - FR -	Denomination - DE -
34	77741	GUIDA DESTRA-SINISTRA BACINELLA	R-L BASIN GUIDE FOR FRAMES	GUIDE DX-SX CUVE x CHASSIS	FÜHRUNG RECHTS-LINKS SCHALE FÜR RAH
35	77742005	DISTANZIALE GUIDA BACINELLA	SPACER GLOSSY	ENTRETOISE CUVE	DISTANZSTÜCK
36	77607050	STAFFA INF.SINISTRO FIANCO	LOWER SIDE BRACKET	ETRIER INFERIEUR COTE	SEITE BUGEL UNTER
37	15318002	PIEDINO REGOLABILE INOX/SAT H55/69	ADJUSTABLE FOOT H55/69	PIED REGLABLE H55/69	REGELBARER FUSS H55/69
38	78150055	SUPPORTO MANOMETRO	GAUGE SUPPORT	SUPPORT MANOMETRE	MANOMETERHALTER
39	4621113	MANOMETRO TONDO 3Atm A LEVA CW510L	ROUND PRESSURE GAUGE 3ATM	MANOMETRE 3Atm AL	MANOMETER 3Atm AL
40	29089361	TARGHETTA ADESIVA GLORIA	ADHESIVE LABEL GLORIA	ETIQUETTE ADHESIVE GLORIA	KLEBEETIKETTE GLORIA
41	29089385	TARGHETTA ADESIVA ASTORIA	ADHESIVE LABEL ASTORIA	ETIQUETTE ADHESIVE ASTORIA	KLEBEETIKETTE ASTORIA



27	1GR
28+29	2GR
28+30+29	3GR
28+30+30+29	4GR

32	GAS
33	STANDARD

CROMO - CHROME - CHROME - CHROM

Pos	Code	Denominazione - IT -	Denomination - EN -	Denomination - FR -	Denomination - DE -
1	56910109	FIANCO ASSIEMATO SINISTRO GLORIA CROMATO	LEFT SIDE PANEL CHROME GL	COTE GAUCHE CHROME	LINKE SEITE CHROM
2	77498501	PROFILO FIANCO SINISTRO CROMO	LEFT SIDE STRIP CHROME	PROFILS POUR COTE GAUCHE CHROME	PROFIL FUR LINKE SEITE GLORIA CHROM
3	77607052	PROFILO INTERNO SINISTRO FIANCO	INTERNAL STRIP LEFT	PROFIL INT. GAUCHE	PROFIL INNEN LINKE
4	78167010	STAFFA SUP.DX-SX SUPPORTO FIANCO	RH-LH PANEL SUPPORT	SUPPORT DR-GA COTE	RECHTS/LINKS HALTER
5	75288066	PANNELLO INF.1GR GLORIA INOX	LOWER PANEL 1GR S.STEEL	PANNEAU INF. 1GR INOX	UNTERTAFEL 1GR STAHL
5	75288069	PANNELLO INF.2GR GLORIA INOX	LOWER PANEL 2GR S.STEEL	PANNEAU INF. 2GR INOX	UNTERTAFEL 2GR GLORIA STAHL
5	75288072	PANNELLO INF.3GR GLORIA INOX	LOWER PANEL 3GR S.STEEL	PANNEAU INF. 3GR INOX	UNTERTAFEL 3GR STAHL
5	75288075	PANNELLO INF.4GR GLORIA INOX	LOWER PANEL 4GR S.STEEL	PANNEAU INF. 4GR INOX	UNTERTAFEL 4GR STAHL
6	75287996	PANNELLO CENT.1GR GLORIA INOX	CENTRAL PANEL 1GR INOX	PANNEAU CENTRAL 1GR INOX	ZENTRALTAFEL 1GR STAHL
6	75287997	PANNELLO CENT.2GR GLORIA INOX	CENTRAL PANEL 2GR INOX	PANNEAU CENTRAL 2GR INOX	ZENTRALTAFEL 2GR STAHL
6	75287998	PANNELLO CENT.3GR GLORIA INOX	CENTRAL PANEL 3GR INOX	PANNEAU CENTRAL 3GR INOX	ZENTRALTAFEL 3GR STAHL
6	75287999	PANNELLO CENT.4GR GLORIA INOX	CENTRAL PANEL 4GR INOX	PANNEAU CENTRAL 4GR INOX	ZENTRALTAFEL 4GR STAHL
7	75288068	PANNELLO POST.SUP.1GR GLORIA INOX	TOP PANEL 1GR S.STEEL	PANNEAU SUPERIEURE 1GR INOX	OBERTAFEL 1GR STAHL
7	75288071	PANNELLO POST.SUP.2GR GLORIA INOX	TOP PANEL 2GR S.STEEL	PANNEAU SUPERIEURE 2GR INOX	OBERTAFEL 2GR STAHL
7	75288074	PANNELLO POST.SUP.3GR GLORIA INOX	TOP PANEL 3GR S.STEEL	PANNEAU SUPERIEURE 3GR INOX	OBERTAFEL 3GR STAHL
7	75288077	PANNELLO POST.SUP.4GR GLORIA INOX	TOP PANEL 4GR S.STEEL	PANNEAU SUPERIEURE 4GR INOX	OBERTAFEL 4GR STAHL
8	21162147	PLEXIGLASS 1GR	PLEXIGLASS 1GR	PLEXIGLASS 1GR	PLEXIGLASS 1GR
8	21162148	PLEXIGLASS 2GR	PLEXIGLASS 2GR	PLEXIGLASS 2GR	PLEXIGLASS 2GR
8	21162149	PLEXIGLASS 3GR	PLEXIGLASS 3GR	PLEXIGLASS 3GR	PLEXIGLASS 3GR
8	21162150	PLEXIGLASS 4GR	PLEXIGLASS 4GR	PLEXIGLASS 4GR	PLEXIGLASS 4GR
9	75288007	PROFILO SUP.FERMA PLEXIGLASS 1GR INOX	PLEXIGLASS SUPPORT 1GR S.STEEL	SUPPORT PLEXIGLASS 1GR INOX	PLEXIGLASSHALTER 1GR STAHL
9	75288011	PROFILO SUP.FERMA PLEXIGLASS 2GR INOX	PLEXIGLASS SUPPORT 2GR S.STEEL	SUPPORT PLEXIGLASS 2GR INOX	PLEXIGLASSHALTER 2GR STAHL
9	75288015	PROFILO SUP.FERMA PLEXIGLASS 3GR INOX	PLEXIGLASS SUPPORT 3GR S.STEEL	SUPPORT PLEXIGLASS 3GR INOX	PLEXIGLASSHALTER 3GR STAHL
9	75288019	PROFILO SUP.FERMA PLEXIGLASS 4GR INOX	PLEXIGLASS SUPPORT 4GR S.STEEL	SUPPORT PLEXIGLASS 4GR INOX	PLEXIGLASSHALTER 4GR STAHL
10	76100109	GRIGLIA SUPERIORE AL/1 GLORIA INOX	TOP GRATE AL/1 S.STEEL	GRILLE SUP. AL/1 INOX	OBERGITTER AL/1 STAHL
10	76100110	GRIGLIA SUPERIORE AL/2 GLORIA INOX	TOP GRATE AL/2 S.STEEL	GRILLE SUP. AL/2 INOX	OBERGITTER AL/2 STAHL
10	76100111	GRIGLIA SUPERIORE AL/3 GLORIA INOX	TOP GRATE AL/3 S.STEEL	GRILLE SUP. AL/3 INOX	OBERGITTER AL/3 STAHL
10	76100112	GRIGLIA SUPERIORE AL/4 GLORIA INOX	TOP GRATE AL/4 S.STEEL	GRILLE SUP. AL/4 INOX	OBERGITTER AL/4 STAHL
11	56910108	FIANCO ASSIEMATO DESTRO GLORIA CROMATO	RIGHT SIDE PANEL CHROME GL	COTE DROIT CHROM	RECHTE SEITE CHROM
12	77607051	PROFILO INTERNO DESTRO FIANCO	INTERNAL STRIP RIGHT	PROFIL INT. COTE DROIT	PROFIL INNEN RECHTE
13	77498500	PROFILO FIANCO DESTRO CROMO	RIGHT SIDE STRIP CHROME	PROFILS POUR COTE DROIT CHROME	PROFIL FUR RECHTE SEITE CHROME
14	77607049	STAFFA INF.DESTRA FIANCO	LOWER SIDE BRACKET	ETRIER INFERIEUR COTE	SEITE BUGEL UNTER
15	77691986	PROTEZIONE ANT.FERMATAZZE 1GR INOX	BLOCK CUP 1GR S.STEEL	FERMETURE TASSE 1GR INOX	BLOCK TASSE 1GR STAHL
15	77691987	PROTEZIONE ANT.FERMATAZZE 2GR INOX	BLOCK CUP 2GR S.STEEL	FERMETURE TASSE 2GR INOX	BLOCK TASSE 2GR STAHL
15	77691988	PROTEZIONE ANT.FERMATAZZE 3GR INOX	BLOCK CUP 3GR S.STEEL	FERMETURE TASSE 3GR INOX	BLOCK TASSE 3GR STAHL
15	77691989	PROTEZIONE ANT.FERMATAZZE 4GR INOX	BLOCK CUP 4GR S.STEEL	FERMETURE TASSE 4GR INOX	BLOCK TASSE 4GR STAHL

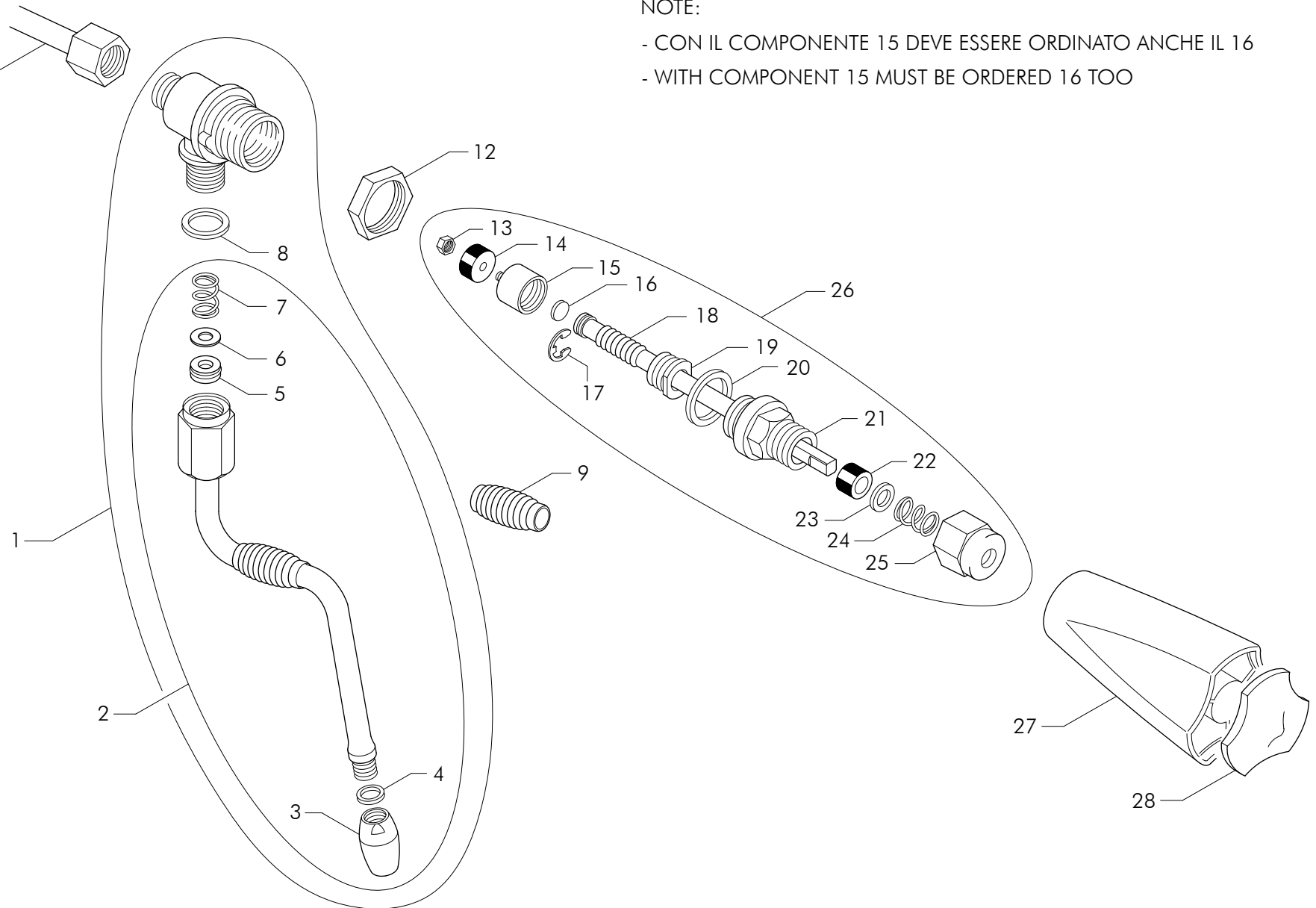
CROMO - CHROME - CHROME - CHROM

Pos	Code	Denominazione - IT -	Denomination - EN -	Denomination - FR -	Denomination - DE -
16	72699115	COPRIGRUPPO AL/1 GLORIA INOX LUC.	S.STEEL GROUP-COVER AL/1	COUVRE-GROUPE INOX AL/1	STAHL/GRUPPENDECKEL AL/1
16	72699116	COPRIGRUPPO AL/2 GLORIA INOX LUC.	S.STEEL GROUP-COVER AL/2	COUVRE-GROUPE INOX AL/2	STAHL/GRUPPENDECKEL AL/2
16	72699117	COPRIGRUPPO AL/3 GLORIA INOX LUC.	S.STEEL GROUP-COVER AL/3	COUVRE-GROUPE INOX AL/3	STAHL/GRUPPENDECKEL AL/3
16	72699118	COPRIGRUPPO AL/3 GLORIA INOX LUC.	S.STEEL GROUP-COVER AL/4	COUVRE-GROUPE INOX AL/4	STAHL/GRUPPENDECKEL AL/4
17	83700060R	KIT FRONTONE AL/1 GLORIA INOX	ASSEMBLY FRONT PANEL AL/1 S.STEEL	ENSEMBLE PANNEAU FRONTAL AL/1 INOX	STIRNTAFEL AL/1 STAHL GRUPPE
17	83700061R	KIT FRONTONE AL/2 GLORIA INOX	ASSEMBLY FRONT PANEL AL/2 S.STEEL	ENSEMBLE PANNEAU FRONTAL AL/2 INOX	STIRNTAFEL AL/2 STAHL GRUPPE
17	83700062R	KIT FRONTONE AL/3 GLORIA INOX	ASSEMBLY FRONT PANEL AL/3 S.STEEL	ENSEMBLE PANNEAU FRONTAL AL/3 INOX	STIRNTAFEL AL/3 STAHL GRUPPE
17	83700063R	KIT FRONTONE AL/4 GLORIA INOX	ASSEMBLY FRONT PANEL AL/4 S.STEEL	ENSEMBLE PANNEAU FRONTAL AL/4 INOX	STIRNTAFEL AL/4 STAHL GRUPPE
18	8315029050R	KIT MANOPOLA	KNOB	POIGNEE	HAHGRIFF
19	15029051	TAPPO MANOPOLA	CAP KNOB	BOUCHON POIGNEE	DECKEL HANDGRIFF
20	77607048	PROFILO COPRIFORO INF.DESTRO-SINISTRO FIAN	RIGHT-LEFT PROFILE SIDE	PROFIL DROIT-GAUCHE COTE	RECHT-LINKE PROFIL
21	21203	PLEXIGLASS SEGNALIVELLO	COLOURLESS LEVEL INDICATOR 0	SIGNAL NIVEAU	FARBLOSER NIVEAUANZEIGER
22	23420001	VITE TE BOMBATA M6x12 OT/Ni	M6x12NICKEL-PLATED BRASS HEX.HEAD SCREW	VIS TH LAITON M6x12 NICKEL	SECHSKANTSCHRAUBE AUS MESSING M6x12
23	15373070	TAPPO ABS CROMATO FORO GAS	CHROMED CAP	BOUCHON CHROME COUVRE-TROU DU GAZ	CHROM CAP
24	8377691969R	KIT PROTEZIONE SUPERIORE GRUPPO	ASSEMBLY TOP PROTECTION GROUP	ENSEMBLE PROTECTION SUPERIEURE GROUPE	OBER GRUPPEN SCHUTZ
25	77691968	PROTEZIONE INF.GRUPPO GLORIA	LOWER PROTECTION GROUP	PROTECTION INFER. GROUPE	UNTER GRUPPEN SCHUTZ
26	8377044026R	KIT COPRICALDAIA AL/1 INOX/LUC	ASSEMBLY S.STEEL BOILER COVER AL/1	ENSEMBLE COUVRE-CHAUDIERE INOX AL/1	KESSELDECKEL AL/1 STAHL
26	8377044027R	KIT COPRICALDAIA AL/2 INOX/LUC	ASSEMBLY S.STEEL BOILER COVER AL/2	ENSEMBLE COUVRE-CHAUDIERE INOX AL/2	KESSELDECKEL AL/2 STAHL
26	8377044028R	KIT COPRICALDAIA AL/3 INOX/LUC	ASSEMBLY S.STEEL BOILER COVER AL/3	ENSEMBLE COUVRE-CHAUDIERE INOX AL/3	KESSELDECKEL AL/3 STAHL
26	8377044029R	KIT COPRICALDAIA AL/4 INOX/LUC	ASSEMBLY S.STEEL BOILER COVER AL/4	ENSEMBLE COUVRE-CHAUDIERE INOX AL/4	KESSELDECKEL AL/4 STAHL
27	76153000	GRIGLIA INFERIORE INOX LUC.456x201	LOWER GRILL 456x201 SHINY S.STEEL	GRILLE INF.INOX 456x201	STAHL-UNTERGITTER 456x201
28	76154000	GRIGLIA INF.DESTRA INOX LUC.338.5x201	RIGHT LOWER GRILL -SHINY S.STEEL	GRILLE INF.DROIT INOX 338,5x201	STAHL-UNTER-RECHTEGITTER 338,5x201
29	76155000	GRIGLIA INF.SINISTRA INOX LUC.338.5x201	LEFT LOWER GRILL - SHINY S.STEEL	GRILLE INF.GAUCHE INOX 338,5x201	STAHL-UNTER-LINKEGITTER 338,5x201
30	76156000	GRIGLIA INFERIORE INOX LUC.	LOWER GRILL - SHINY S.STEEL	GRILLE INF.INOX	STAHL-UNTERGITTER
31	76095	BACINELLA 1GR INOX LUCIDO	1GR GLOSSY STAINLESS STEEL TRAY	BASSINELLE 1GR INOX BRILLANT	STAHSCHALE 1GR
31	76096	BACINELLA 2GR INOX LUCIDO	2GR GLOSSY STAINLESS STEEL TRAY	BASSINELLE 2GR INOX BRILLANT	STAHSCHALE 2GR
31	76097	BACINELLA 3GR INOX LUCIDO	3GR GLOSSY STAINLESS STEEL TRAY	BASSINELLE 3GR INOX BRILLANT	STAHSCHALE 3GR
31	76098	BACINELLA 4GR INOX LUCIDO	4GR GLOSSY STAINLESS STEEL TRAY	BASSINELLE 4GR INOX BRILLANT	STAHSCHALE 4GR
32	77487105	PROFILO BAS.ANT.GAS.1GR GLORIA INOX/LUC	BASE SURROUND 1GR S.STEEL GAS	PROFILS BASE 1GR INOX GAZ	GRUNDPROFIL 1GR STAHL GAS
32	77487106	PROFILO BAS.ANT.GAS.2GR GLORIA INOX/LUC	BASE SURROUND 2GR S.STEEL GAS	PROFILS BASE 2GR INOX GAZ	GRUNDPROFIL 2GR STAHL GAS
32	77487107	PROFILO BAS.ANT.GAS.3GR GLORIA INOX/LUC	BASE SURROUND 3GR S.STEEL GAS	PROFILS BASE 3GR INOX GAZ	GRUNDPROFIL 3GR STAHL GAS
32	77487108	PROFILO BAS.ANT.GAS.4GR GLORIA INOX/LUC	BASE SURROUND 4GR S.STEEL GAS	PROFILS BASE 4GR INOX GAZ	GRUNDPROFIL 4GR STAHL GAS
33	77487101	PROFILO BASAMENTO ANT.1GR INOX/LUC	BASE SURROUND 1GR S.STEEL	PROFILS BASE 1GR INOX	GRUNDPROFIL 1GR STAHL
33	77487102	PROFILO BASAMENTO ANT.2GR INOX/LUC	BASE SURROUND 2GR S.STEEL	PROFILS BASE 2GR INOX	GRUNDPROFIL 2GR STAHL
33	77487103	PROFILO BASAMENTO ANT.3GR INOX/LUC	BASE SURROUND 3GR S.STEEL	PROFILS BASE 3GR INOX	GRUNDPROFIL 3GR STAHL
33	77487104	PROFILO BASAMENTO ANT.4GR INOX/LUC	BASE SURROUND 4GR S.STEEL	PROFILS BASE 4GR INOX	GRUNDPROFIL 4GR STAHL

CROMO - CHROME - CHROME - CHROM

Pos	Code	Denominazione - IT -	Denomination - EN -	Denomination - FR -	Denomination - DE -
34	77741	GUIDA DESTRA-SINISTRA BACINELLA	R-L BASIN GUIDE FOR FRAMES	GUIDE DX-SX CUVE x CHASSIS	FÜHRUNG RECHTS-LINKS SCHALE FÜR RAH
35	77742005	DISTANZIALE GUIDA BACINELLA	SPACER GLOSSY	ENTRETOISE CUVE	DISTANZSTUCK
36	77607050	STAFFA INF.SINISTRO FIANCO	LOWER SIDE BRACKET	ETRIER INFERIEUR COTE	SEITE BUGEL UNTER
37	15318002	PIEDINO REGOLABILE INOX/SAT H55/69	ADJUSTABLE FOOT H55/69	PIED REGLABLE H55/69	REGELBARER FUSS H55/69
38	78150055	SUPPORTO MANOMETRO	GAUGE SUPPORT	SUPPORT MANOMETRE	MANOMETERHALTER
39	4621113	MANOMETRO TONDO 3Atm A LEVA CW510L	ROUND PRESSURE GAUGE 3ATM	MANOMETRE 3Atm AL	MANOMETER 3Atm AL
40	29089361	TARGHETTA ADESIVA GLORIA	ADHESIVE LABEL GLORIA	ETIQUETTE ADHESIVE GLORIA	KLEBEETIKETTE GLORIA
41	29089385	TARGHETTA ADESIVA ASTORIA	ADHESIVE LABEL ASTORIA	ETIQUETTE ADHESIVE ASTORIA	KLEBEETIKETTE ASTORIA

10 DESTRO-RIGHT
11 SINISTRO-LEFT

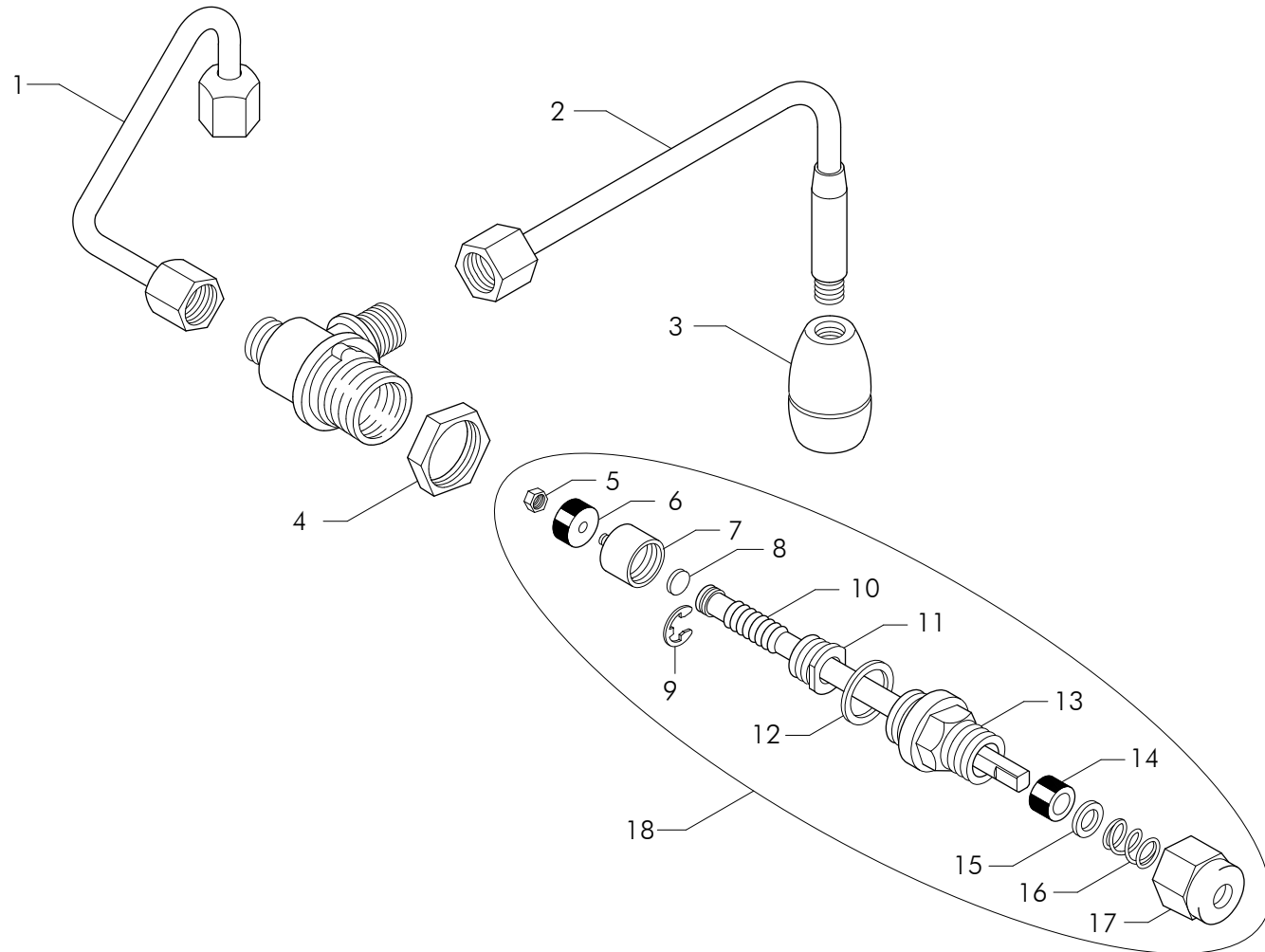


NOTE:

- CON IL COMPONENTE 15 DEVE ESSERE ORDINATO ANCHE IL 16
- WITH COMPONENT 15 MUST BE ORDERED 16 TOO

VAPORE - STEAM - VAPEUR - DAMPF

Pos	Code	Denominazione - IT -	Denomination - EN -	Denomination - FR -	Denomination - DE -
1	25763302	ASS.TUBO VAPORE INOX	STEAM PIPE ASSEMBLY S.STEEL	TUYAU VAPEUR INOX	DAMPFROHRSATZ STAHL
2	25763009	TUBO VAPORE INOX D.10	STEAM PIPE ASSEMBLY D-10	TUYAU VAPEUR D-10	DAMPFROHRSATZ D-10
3	25763074	SPRUZZATORE VAPORE INOX TUBO D.10 4 FORI	S.STEEL STEAM SPRAYER D.10 4 HOLES	PULVERISATEUR VAPEUR D.10 4 FORI	INNENSPRITZDUSE D.10 4 FORI
4	12662	GUARNIZIONE ALL.SPRUZZATORE VAP.INOX D.10	ALUM.SEAL FOR ST.STEEL STEAM	JOINT ALU GICLEUR VAP. INOX D.10	ALUMINIUMDICHT.DAMPFSTR.EDELSTAHL D.10
5	12661	GUARNIZIONE OR CON LUNETTA P.MOLLA	OR REST FOR ST.STEEL STEAM PIPE	OR LUNETTE P.RESSORT TUYAU VAP. INOX	HALBE OR-DICHT.F.FEDER DAMPFROHR ED
6	23260018	RONDELLA ELASTICA D-14,2 Sp.1	WASHER D-14,2	RONDELLE D-14,2	SCHEIBE D-14,2
7	10465001	MOLLA De 11,4 Df1,7 AISI 302	STEAM SPRING S.STEEL	RESSORT AISI	DAMPF HAHNFEDEN STAHL
8	12010	GUARNIZIONE TEFLON ACQUA/VAPORE 20x17x2	PIPE GASKET TEFLON 20x17x2	JOINT TUYAU TEFLON EAU/VAP TEFLON	TEFLON-DICHTUNG WASSER/VAP 20x17x2
9	15296001	GOMMINO ANTISCOTTAURA D.10	ANTI-BURNING RUBBER EL. FOR STEAM PIPE	ELEMENT ANTI-BRULURE POUR TUYAU VAP.D10	GUMMI GEGEN VERBRENNUNGEN F. DAMPFROHR
10	52000443	TUBO D-10 L.270	TUBE D-10 L.270	TUYAU D-10 L.270	ROHR D-10 L.270
11	52000449	TUBO D-10 L.390	TUBE D-10 L.390	TUYAU D-10 L.390	ROHR D-10 L.390
12	25384	DADO OTTONE M26x1.5	BRASS NUT 26X1.5	ECROU LAITON 26X1.5	MESSING-MUTTER 26X1.5
13	23050	DADO OTTONE M3	BRASS NUT M3	ECROU LAITON M3	MESSING-MUTTER M3
14	12203	GUARNIZIONE HNBR 15x4x4	RUBBER GASKET 15x4x4	JOINT EN CAOUTCHOUC 15X4X4	GUMMIDICHTUNG 15x4x4
15	4925616	PISTONCINO RUBINETTO	TAP JUMPER	PISTON ROBINET	HAHNKOLBEN
16	25655052	DISCHETTO ASTA RUBINETTO	DISKETTE TAP ROS	DISQUETTE TIGE ROBINET	DISKETTE
17	10001	ANELLO ARRESTO D6 INOX	STEEL CIRCLIP	CIRCLIP INOX	STAHLHALTENRING
18	4625312	ASTA RUBINETTO CROMATA L139 CW510L/Cr	CHROMED TAP SHAFT	TIGE ROBINET CHROME	HAHNSTANGE CHROM
19	25461	GHIERA RUBINETTO	TAP RING NUT	EMBOUT ROBINET	HAHNZWINGE
20	12158	GUARNIZIONE 26x20.5x2	GASKET 26x20.5x2	JOINT 26x20.5x2	DICHTUNG 26x20.5x2
21	25678001	RACCORDO RUBINETTO	TAP FITTING	RACCORD ROBINET	HAHNANSCHLUSSTUCK
22	12204	GUARNIZIONE GOMMA RUBINETTO 12.5x7.5x9	TAP RUBBER GASKET 12.5x7.5x9	JOINT CAOUTCHOUC ROB. 12.5X7.5X9	HAHNDICHTUNG 12.5x7.5x9
23	25655	RONDELLA RUBINETTO	TAP WASHER	RONDELLE ROBINET	HAHNSCHEIBE
24	10452	MOLLA RUBINETTO ACQUA/VAPORE N4	WATER/STEAM TAP SPRING N4	RESSORT DE ROBINET EAU-VAPEUR N4	WASSER/DAMPF HAHNFEDER N4
25	25385001	DADO PREMISTOPPA RUBINETTO + RONDELLA	TAP STUFFING NUT	ECROU DE PRESSE-ETOUPE ROBINET	STOPFBUCHSE MUTTER - HAHN
26	4656104R	ASSIEME RUBINETTO ACQUA/VAPORE	WATER/STEAM TAP UNIT BODY	ENSEMBLE ROBINET EAU/VAPEUR	WASSER/DAMPF ROHRSATZ
27	8315029050R	KIT MANOPOLA	KNOB	POIGNEE	HAHNGRIFF
28	15029051	TAPPO MANOPOLA	CAP KNOB	BOUCHON POIGNEE	DECKEL HANDGRIFF

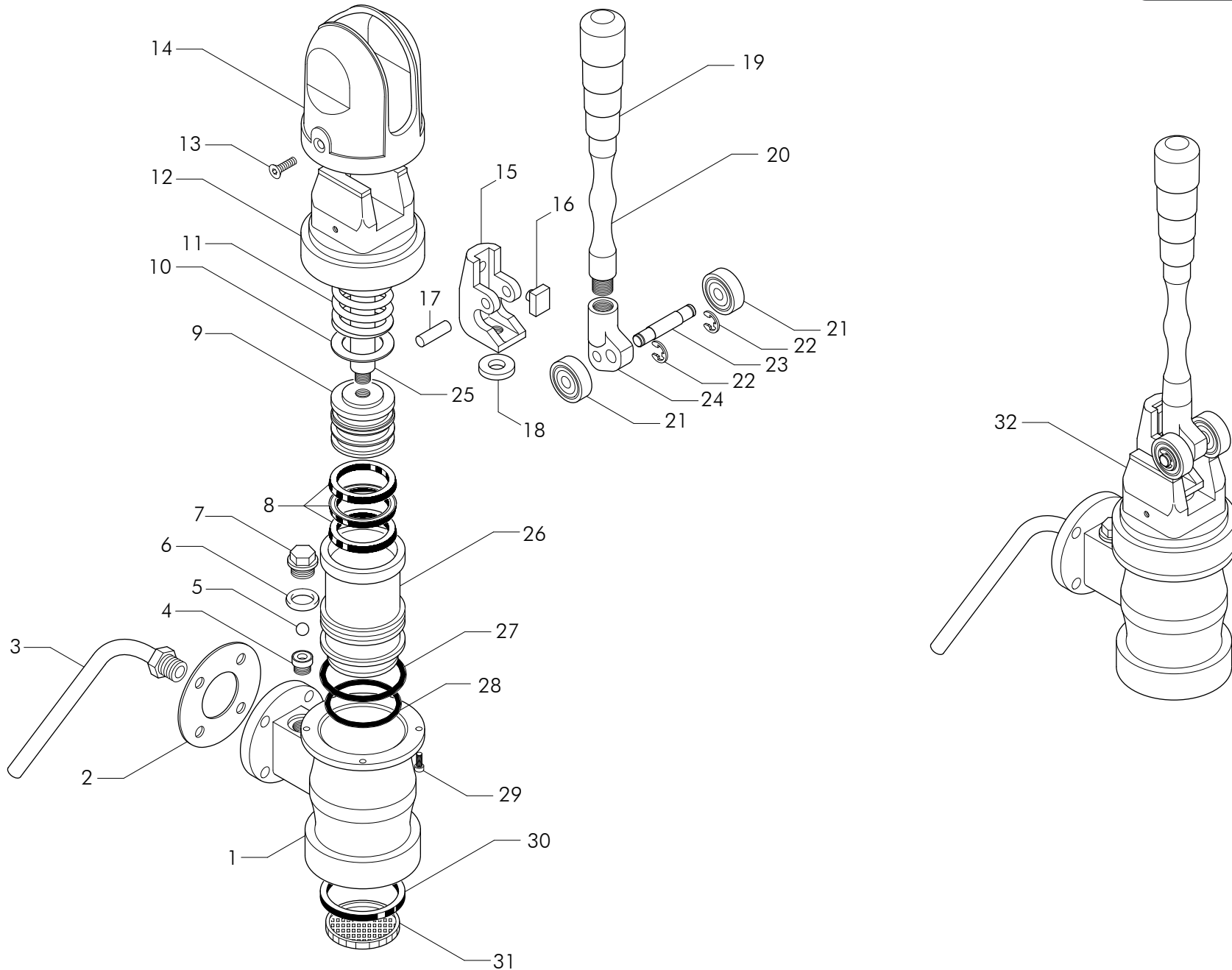


NOTE:

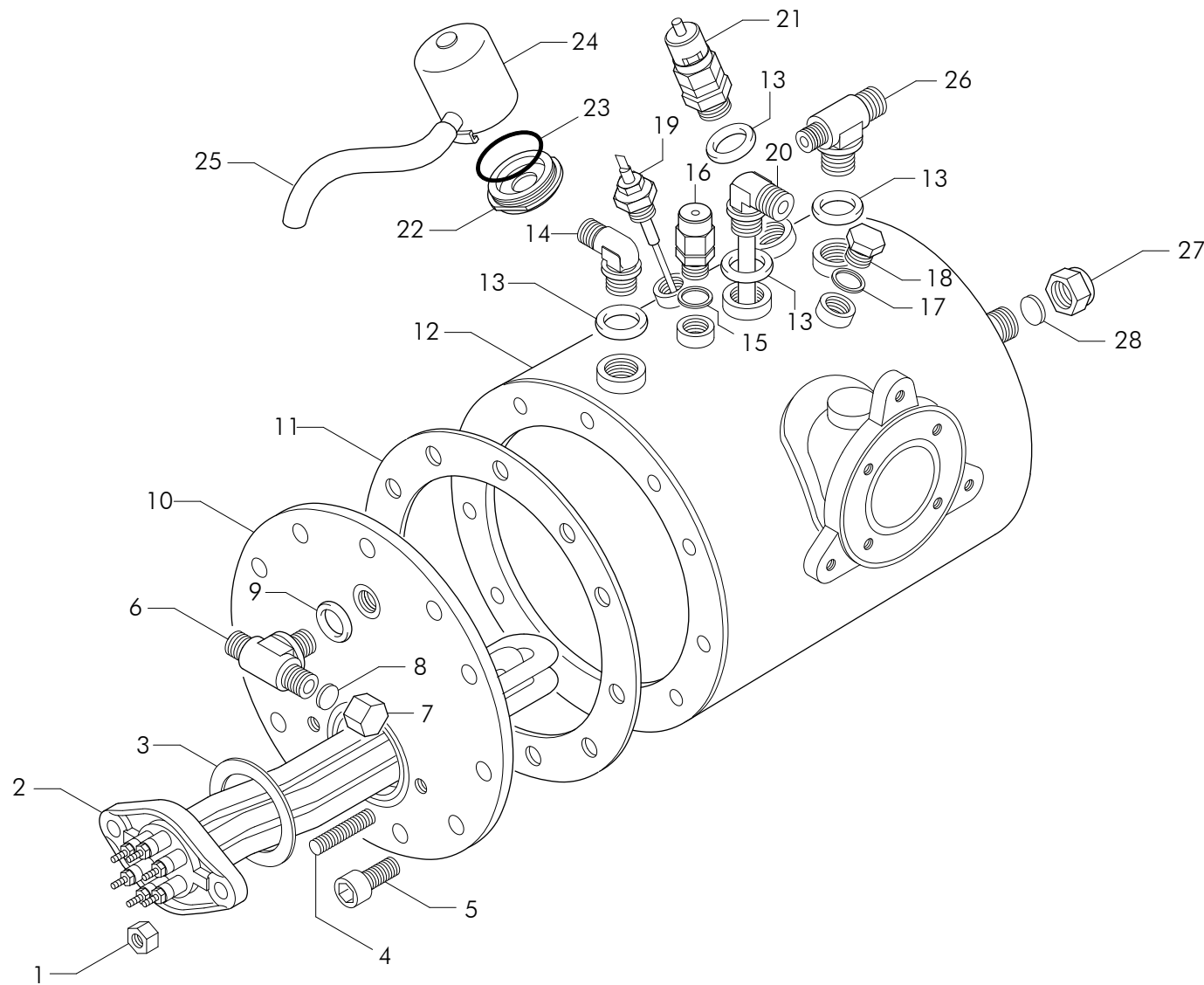
- CON IL COMPONENTE 7 DEVE ESSERE ORDINATO ANCHE L' 8

- WITH COMPONENT 7 MUST BE ORDERED 8 TOO

Pos	Code	Denominazione - IT -	Denomination - EN -	Denomination - FR -	Denomination - DE -
1	52000444	TUBO D-8 L.300	TUBE D-8 L.300	TUYAU D-8 L.300	ROHR D-8 L.300
2	52000639	TUBO D-8 L.105	TUBE D-8 L.105	TUYAU D-8 L.105	ROHR D-8 L.105
3	25763002	SPRUZZATORE ACQUA INOX FISSO	S.STEEL WATER NOZZLE	ATOMISEUR D' EAU INOX	WASSERDAMPFER
4	25384	DADO OTTONE M26x1.5	BRASS NUT 26X1.5	ECROU LAITON 26X1.5	MESSING-MUTTER 26X1.5
5	23050	DADO OTTONE M3	BRASS NUT M3	ECROU LAITON M3	MESSING-MUTTER M3
6	12203	GUARNIZIONE HNBR 15x4x4	RUBBER GASKET 15x4x4	JOINT EN CAOUTCHOUC 15X4X4	GUMMIDICHTUNG 15x4x4
7	4925616	PISTONCINO RUBINETTO	TAP JUMPER	PISTON ROBINET	HAHNKOLBEN
8	25655052	DISCHETTO ASTA RUBINETTO	DISKETTE TAP ROS	DISQUETTE TIGE ROBINET	DISKETTE
9	10001	ANELLO ARRESTO D6 INOX	STEEL CIRCLIP	CIRCLIP INOX	STAHLHALTENRING
10	4625312	ASTA RUBINETTO CROMATA L139 CW510L/Cr	CHROMED TAP SHAFT	TIGE ROBINET CHROME	HAHNSTANGE CHROM
11	25461	GHIERA RUBINETTO	TAP RING NUT	EMBOUT ROBINET	HAHNZWINGE
12	12158	GUARNIZIONE 26x20.5x2	GASKET 26x20.5x2	JOINT 26x20.5x2	DICHTUNG 26x20.5x2
13	25678001	RACCORDO RUBINETTO	TAP FITTING	RACCORD ROBINET	HAHNANSCHLUSSTUCK
14	12204	GUARNIZIONE GOMMA RUBINETTO 12.5x7.5x9	TAP RUBBER GASKET 12.5x7.5x9	JOINT CAOUTCHOUC ROB. 12.5X7.5X9	HAHNDICHTUNG 12.5x7.5x9
15	25655	RONDELLA RUBINETTO	TAP WASHER	RONDELLE ROBINET	HAHNSCHEIBE
16	10452	MOLLA RUBINETTO ACQUA/VAPORE N4	WATER/STEAM TAP SPRING N4	RESSORT DE ROBINET EAU-VAPEUR N4	WASSER/DAMPF HAHNFEDER N4
17	25385001	DADO PREMISTOPPA RUBINETTO + RONDELLA	TAP STUFFING NUT	ECROU DE PRESSE-ETOUPE ROBINET	STOPFBUCHSE MUTTER - HAHN
18	4656104R	ASSIEME RUBINETTO ACQUA/VAPORE	WATER/STEAM TAP UNIT BODY	ENSEMBLE ROBINET EAU/VAPEUR	WASSER/DAMPF ROHRSATZ

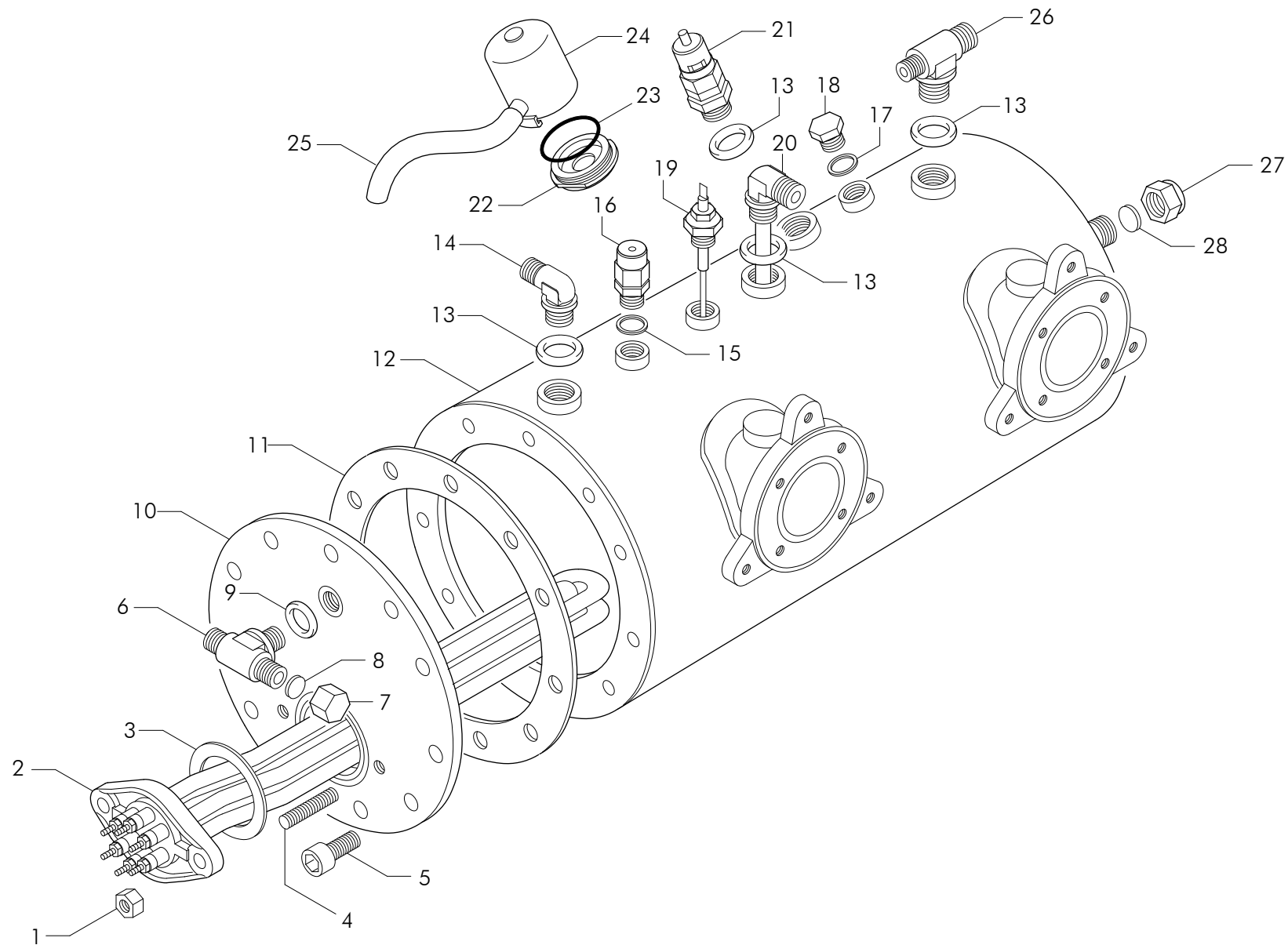


Pos	Code	Denominazione - IT -	Denomination - EN -	Denomination - FR -	Denomination - DE -
1	56353	CORPO GRUPPO "T" LEVA LAVORATO	LEVER GROUP BODY	CORPS GROUPE A LIVIER	HAUPTTEIL GR AL
2	12002	GUARNIZIONE TEFLON	GROUP TEFLON GASKET 89x40x2	JOINT DE GROUPE TEFLON 89x40x2	TEFLON GRUPPENDICHTUNG 89x40x2
3	52000120	TUBO D-12 L.145	TUBE D-12 L.145	TUYAU D-12 L.145	ROHR D-12 L.145
4	20353	VALVOLA RITEGNO GR AL 30353	NON RETURN VALVE AL GR 30353	CLAPET DE RETENUE GR AL 30353	RUCKSCHLAGVENTIL GR AL 30353
5	25050	SFERA GRUPPO AL	LEVER GROUP BALL	BILLE GROUPE A LEVIER	HEBELGRUPPIGE KUGEL
6	12102	GUARNIZIONE CU/ALIM GRUPPO A LEVA 24x18x3	CU GASKET FOR LEVER GROUP 24x18x3	JOINT CU DE GROUPE A LEV. 24x18x3	CU DICHTUNG FUR HEBELGR. 24x18x3
7	257891	TAPPO GRUPPO EROGAZIONE CROMATO	DISTRIBUTION GROUP CAP	BOUCHON GROUPE DEBIT	STOPFEN FUR AUSGARBENGRUPPE
8	12201	GU GOMMA NBR PISTONE GRUPPO A LEVA	RUBBER GASKET FOR LEVER GR.PISTON	JOINT GOMME DE PISTON GR A LEVIER	GUMMIDICHTUNG FUR HEBELGRUPPEKOLBEN
9	27300	PISTONE GRUPPO AL	LEVER GROUP PISTON	PISTON GROUPE AL	HEBELGRUPPE KOLBEN
10	27300026	GHIERA PISTONE GRUPPO A LEVA	LEVER SHIM	GHIERA PISTONE GRUPPO A LEVA	GHIERA PISTONE GRUPPO A LEVA
11	27250	MOLLA INOX PISTONE GRUPPO AL	SPRING FOR LEVER GROUP PISTON	RESSORT PISTON GROUPE AL	STAHLFEDER FUR HEBELGRUPPENKOLBEN
12	56350001	CASTELLO 2001 GR. LEVA LAVORATO	LEVER GROUP-TOP 2001	BATI GROUPE AL 2001	GERUST GR AL 2001
13	23590	VITE TSPEI 6X22	SCREW TSPEI 6X22	VIS TSPEI 6X22	SCHRAUBE TSPEI 6X22
14	15026001	CAPPELLOTTO GRUPPO AL PLASTICA NERA	LEVER GROUP CAP	BOUCHON GROUPE A LEVIER	STOPFEN FUR HEBELGRUPPE
15	56354001	FORCELLA 2001 GR. LEVA LAVORATA	LEVER GROUP FORK	FOURCHETTE GROUPE AL	GABELSTUCK GR AL
16	15120000	GOMMINO BATTUTA LEVA GR.LEVA	LEVER GROUP BEATING RUBBER	BUTEE EN GOMME SUPERIEURE	OBERE SCHEIBE AUS GUMMI
17	27301A	PERNO PER FORCELLA GRUPPO AL 12 Bar	PIN FOR AL GROUP FORK 12 Bar	PIVOT POUR FOURCHE GROUPE AL 12 Bar	ZAPFEN FUR HEBELGRUPPEGABEL 12 Bar
18	27300027	GOMMINO BATTUTA FORC.GR.LEVA	LEVER GROUP BEATING RUBBER	BUTEE EN GOMME SUPERIEURE	OBERE SCHEIBE AUS GUMMI
19	15261	MANOPOLA GRUPPO AL 2651	LEVER GROUP HANDLE	POIGNEE GROUPE A LEVIER	HEBELGRUPPENGRIF
20	27220	LEVA COMPLETA PER GRUPPO AL	COMPLETE LEVER FOR AL GROUP	LEVIER COMPLET POUR GROUPE AL	HEBEL FUR HEBELGRUPPE
21	25001	CUSCINETTO GRUPPO AL 6300 ZZ /RHB	LEVER GROUP BEARING	PALIER GROUPE AL	HEBELGRUPPIGER HALTER 6300 2 RS1
22	10003	ANELLO DI ARRESTO INOX RS 9	STAINLES STEEL CIRCLIP RS 9	CIRCLIP INOX RS 9	STAHLHALTENRING RS 9
23	27302	PERNO PORTACUSCINETTO GRUPPO AL	BEARING HOLDER PIN	PIVOT PORTE-COUSSINET GROUPE AL	ZAPFEN GR AL
24	56351	SNODO GRUPPO LEVA LAVORATO	LEVER GROUP JOINT	GOUPILLE MANCHE GROUPE A LEVIER	GELENK GR AL
25	27003001	ALBERINO 2001 PER GRUPPO AL	SHAFT 2001	ARBRE GROUPE AL 2001	WELLE FUR HEBELGRUPPE 2001
26	56352	CAMICIA GRUPPO A LEVA LAVORATA	LEVER GROUP LINER	CHEMISE GROUPE A LEVIER	MANTEL GR AL
27	12301	GUARNIZIONE OR 162	O RING GASKET 162	JOINT OR 162 GROUPE LEVIER	OR DICHTUNG DER HEBELGRUPPE 162
28	12302	GUARNIZIONE OR 161 GRUPPO LEVA	O RING GASKET 161	JOINT OR 161 GROUPE LEVIER	OR DICHTUNG DER HEBELGRUPPE 161
29	23553	VITE TCEI INOX 5x16	STEEL SCREW TCCE 5X16	VIS INOX TCEI 5X16	STAHLSCHRAUBE TCCE 5x16
30	12216	GUARNIZ.GOMMA S.COPPA 66x56x5.5 NORMALE	FILTER HOLDER RUBBER GASKET	JOINT PLAT PORTEFILTRE 66x56x5.5	FILTERGRIFFDICHTUNG 66x56x5.5
30	12219	GUARNIZ.GOMMA S.COPPA 66x56x6 MAGGIORATA	FILTER HOLDER RUBBER GASKET 66x56x6	JOINT GOMME PORTEFILTRE 66x56x6	FILTERGRIFFDICHTUNG 66x56x6
31	27101	DOCCIA GRUPPO AL GRAFFE	LEVER GROUP SHOWER	DOUCHE GROUPE AL	HEBELGRUPPE VERTEILERSIEB
32	56071001	GRUPPO AL 9BAR ITALIA -CAPPELLOTTO	ASSY FOR LEVER GROUP (ITALIA) 9BAR	ENS GROUPE LEVIER ITALIE 9BAR	SATZ-HEBELGRUPPE 9BAR ITALY
32	56071002	GRUPPO AL 12BAR ITALIA-CAPPELLOTTO	ASSY FOR LEVER GROUP ITALIA 12BAR	ENS GROUPE LEVIER ITALIE 12BAR	SATZ-HEBELGRUPPE ITALY 12BAR

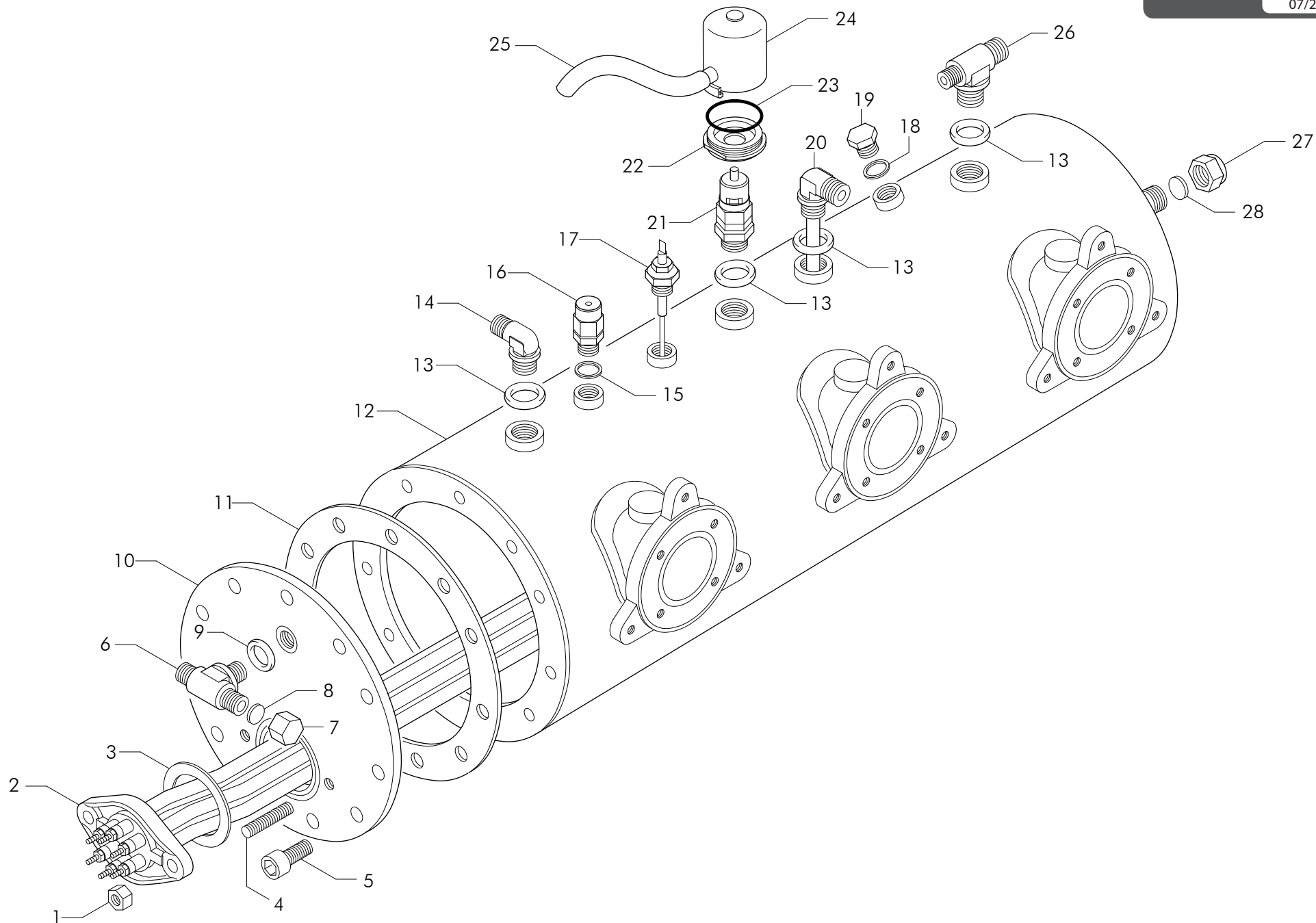


1GR

Pos	Code	Denominazione - IT -	Denomination - EN -	Denomination - FR -	Denomination - DE -
1	23049	DADO OTTONE M8	BRASS NUT M8	ECROU LAITON M8	MESSING-SCHRAUBENMUTTER M8
2	4617001	RESISTENZA 1GR 4P 120V 2000W	HEATING ELEMENT 1GR 110V-2000W	RESISTANCE 1GR 110V2000W	HEIZKORPER 1 GR 110V 2000W
2	4617012	RESISTENZA 1GR 6P 230/240V 2700/2940W	HEATING ELEM. 1GR 230/240V 2700/2940W	RESISTANCE 1GR 230/240V 2700/2940W	HEIZKORPER 1GR 230/240V 2700/2940W
3	12001	GUARNIZIONE TEFLON 58x43x2	TEFLON GASKET 58x43x2	JOINT TEFLON 58x43x2	TEFLON DICHTUNG 58x23x2
4	23133	PRIGIONIERO INOX 8x40	STAINLESS STEEL BOLT 8x40	VIS INOX 8x40	STAHLSCHRAUBE 8x40 8x40
5	23556	VITE TCEI INOX 10x20	STEEL SCREW TCCE 10X20	VIS INOX TCCE 10X20	STAHLSCHRAUBE TCCE 10x20
6	43060	RACCORDO 1/4x1/4x1/4 T	'T' CONNECTOR 1/4 + 1/4 + 1/4	RACCORD 'T' 1/4 + 1/4 + 1/4	T' -ANSCHLUSS 1/4+1/4+1/4
7	25782	TAPPO FEMMINA 1/4 GAS	1/4 GAS FEMALE TAP	BOUCHON FEMELLE 1/4 GAZ	INNENANSCHLUSSSTOPSEL 1/4 GAS
8	12007	GUARNIZIONE KLINGERSIL4400	KLINGERSIL4400 SEAL	JOINT KLINGERSIL4400	DICHTUNG KLINGER SIL4400
9	12100	GUARNIZIONE CU/ALIM 1/4 18.7x13.2x2.5	CU GASKET 1/4 18.7X13.2X2.5	JOINT CU 1/4 18.7X13.2X2.5	CU DICHTUNG 1/4 18.7x13.2x2.5
10	53011	FLANGIA	FLANGE	BRIDE	FLANSCH
11	12003	GUARNIZIONE CALDAIA	BOILER GASKET	JOINT CHAUDIERE	KESSELDICHTUNG
12	62007	CALDAIA 1GR	BOILER AL/1	CHAUDIERE AL/1	KESSEL AL/1
13	12101	GUARNIZIONE RAME 3/8 22x17x3	GASKET COPPER 3/8 22x17x3	JOINT CUIVRE 3/8 22x17x3	KUPFERDICHTUNG 3/8 22x17x3
14	43052	RACCORDO "L" 3/8	CONNECTOR 'L' 3/8	RACCORD 'L' 3/8	ANSCHLUSS 'L' 3/8
15	12153	GUARNIZIONE RAME 1/4 17x13.3x1.5	GASKET 1/4 17x13.3x1.5 COPPER	JOINT CUIVRE 1/4 17x13.3x1.5	KUPFERDICHTUNG 1/4 17x13.3x1.5
16	56150	VALVOLA ANTIRISUCCHIO V.A.R.	ANTI-EDDY VALVE V.A.R.	SOUPAPE ANTI-DEPRESSION V.A.R.	VENTIL UNTERDRUCKFREI V.A.R.
17	12154	GUARNIZIONE CU 3/8 22x17x1.5	GASKET COPPER 3/8 22x17x1,5	JOINT CUIVRE 3/8 22x17x1.5	KUPFERDICHTUNG 3/8 22x17x1.5
18	4625785	TAPPO MASCHIO 3/8	MALE CAP 3/8	BOUCHON MALE 3/8	STOPFEN 3/8
19	4820251	SONDA LIVELLO L.125	LEVEL PROBE L.125	JAUG L.125	PEGELFUHLER L.125
20	52000119	TUBO D-10 L.125 PESCANTE L	TUBE D-10 L.125	TUYAU D-10 L.125	ROHR D-10 L.125
21	20352	VALVOLA DI SICUREZZA *CE*	*CE* SAFETY VALVE	SOUPAPE DE SECURITE *CE*	SICHERHEITSVENTIL *CE*
22	15006001	FLANGIA VALVOLA SICUREZZA	FLANGE VALVE	JOINT VANNE	FLANSCH VENTIL
23	12300000	GUARNIZIONE OR	GASKET O RING	JOINT OR	OR DICHTUNG
24	56009980	ASSIEME PROTEZIONE VALVOLE SICUREZZA	UNIT PROTECTION VALVE	ENSEMBLE PROTECTION VANNE	SATZ-SCHUTZGITTER VENTIL
25	15478002	TUBO SILICONE 8x11 L.70cm	SILICONE TUBE 8x11 L.70cm	TUYAU SILICONE 8x11 L.70cm	SILIKONROHR 8x11 L.70cm
26	43033	RACCORDO "T" 3/8x3/8x1/4	3/8x3/8x1/4 T FITTING	RACCORD "T" 3/8x3/8x1/4	ANSCHLUSS 3/8x3/8x1/4 T
27	25781	TAPPO FEMMINA 3/8	FEMALE CAP 3/8	BOUCHON FEMELLE 3/8	STOPFEN 3/8
28	12402	GUARNIZIONE PASTICCA 15x3	GASKET 15x3	JOINT 15x3	DICHTUNG 15x3

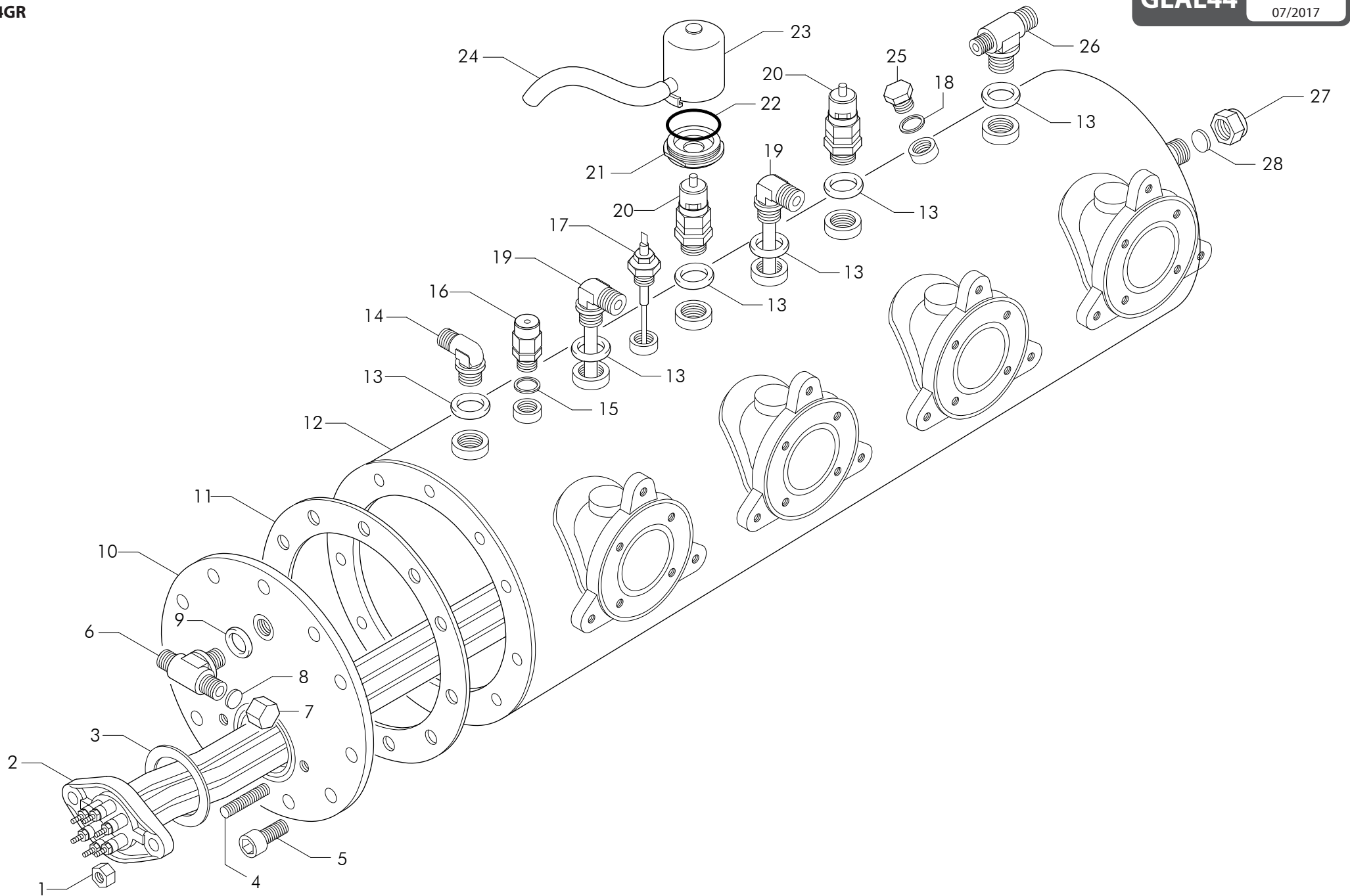


Pos	Code	Denominazione - IT -	Denomination - EN -	Denomination - FR -	Denomination - DE -
1	23049	DADO OTTONE M8	BRASS NUT M8	ECROU LAITON M8	MESSING-SCHRAUBENMUTTER M8
2	4617050	RESISTENZA 2GR 4P 120V 2600W	HEATING ELEM. 2GR 4P 120V 2600W	RESISTANCE 2GR 4P 120V 2600W	HEIZKORPER 2GR 4P 120V 2600W
2	4617059	RESISTENZA 2GR 6P 230/240V 3400/3700W	HEATING ELEM. 2GR 220/240V 3400/3700W	RESISTANCE 2GR 220/240V 3400/3700W	HEIZKORPER 2GR 220/240V 3400/3700W
3	12001	GUARNIZIONE TEFLON 58x43x2	TEFLON GASKET 58x43x2	JOINT TEFLON 58x43x2	TEFLON DICHTUNG 58x23x2
4	23133	PRIGIONIERO INOX 8x40	STAINLESS STEEL BOLT 8x40	VIS INOX 8x40	STAHLSCHRAUBE 8x40 8x40
5	23556	VITE TCEI INOX 10x20	STEEL SCREW TCCE 10X20	VIS INOX TCCE 10X20	STAHLSCHRAUBE TCCE 10x20
6	43060	RACCORDO 1/4x1/4x1/4 T	'T' CONNECTOR 1/4 + 1/4 + 1/4	RACCORD 'T' 1/4 + 1/4 + 1/4	T' -ANSCHLUSS 1/4+1/4+1/4
7	25782	TAPPO FEMMINA 1/4 GAS	1/4 GAS FEMALE TAP	BOUCHON FEMELLE 1/4 GAZ	INNENANSCHLUSSSTOPSEL 1/4 GAS
8	12007	GUARNIZIONE KLINGERSIL4400	KLINGERSIL4400 SEAL	JOINT KLINGERSIL4400	DICHTUNG KLINGER SIL4400
9	12100	GUARNIZIONE CU/ALIM 1/4 18.7x13.2x2.5	CU GASKET 1/4 18.7X13.2X2.5	JOINT CU 1/4 18.7X13.2X2.5	CU DICHTUNG 1/4 18.7x13.2x2.5
10	53011	FLANGIA	FLANGE	BRIDE	FLANSCH
11	12003	GUARNIZIONE CALDAIA	BOILER GASKET	JOINT CHAUDIERE	KESSELDICHTUNG
12	62101	CALDAIA 2GR	BOILER 2GR	CHAUDIERE 2GR	KESSEL 2GR
13	12101	GUARNIZIONE RAME 3/8 22x17x3	GASKET COPPER 3/8 22x17x3	JOINT CUIVRE 3/8 22x17x3	KUPFERDICHTUNG 3/8 22x17x3
14	43052	RACCORDO "L" 3/8	CONNECTOR 'L' 3/8	RACCORD 'L' 3/8	ANSCHLUSS 'L' 3/8
15	12153	GUARNIZIONE RAME 1/4 17x13.3x1.5	GASKET 1/4 17x13.3x1.5 COPPER	JOINT CUIVRE 1/4 17x13.3x1.5	KUPFERDICHTUNG 1/4 17x13.3x1.5
16	56150	VALVOLA ANTIRISUCCHIO V.A.R.	ANTI-EDDY VALVE V.A.R.	SOUPAPE ANTI-DEPRESSION V.A.R.	VENTIL UNTERDRUCKFREI V.A.R.
17	12154	GUARNIZIONE CU 3/8 22x17x1.5	GASKET COPPER 3/8 22x17x1,5	JOINT CUIVRE 3/8 22x17x1.5	KUPFERDICHTUNG 3/8 22x17x1.5
18	4625785	TAPPO MASCHIO 3/8	MALE CAP 3/8	BOUCHON MALE 3/8	STOPFEN 3/8
19	4820251	SONDA LIVELLO L.125	LEVEL PROBE L.125	JAUG L.125	PEGELFUHLER L.125
20	52000119	TUBO D-10 L.125 PESCANTE L	TUBE D-10 L.125	TUYAU D-10 L.125	ROHR D-10 L.125
21	20352	VALVOLA DI SICUREZZA *CE*	*CE* SAFETY VALVE	SOUPAPE DE SECURITE *CE*	SICHERHEITSVENTIL *CE*
22	15006001	FLANGIA VALVOLA SICUREZZA	FLANGE VALVE	JOINT VANNE	FLANSCH VENTIL
23	12300000	GUARNIZIONE OR	GASKET O RING	JOINT OR	OR DICHTUNG
24	56009980	ASSIEME PROTEZIONE VALVOLE SICUREZZA	UNIT PROTECTION VALVE	ENSEMBLE PROTECTION VANNE	SATZ-SCHUTZGITTER VENTIL
25	15478002	TUBO SILICONE 8x11 L.70cm	SILICONE TUBE 8x11 L.70cm	TUYAU SILICONE 8x11 L.70cm	SILIKONROHR 8x11 L.70cm
26	43033	RACCORDO "T" 3/8x3/8x1/4	3/8x3/8x1/4 T FITTING	RACCORD "T" 3/8x3/8x1/4	ANSCHLUSS 3/8x3/8x1/4 T
27	25781	TAPPO FEMMINA 3/8	FEMALE CAP 3/8	BOUCHON FEMELLE 3/8	STOPFEN 3/8
28	12402	GUARNIZIONE PASTICCA 15x3	GASKET 15x3	JOINT 15x3	DICHTUNG 15x3



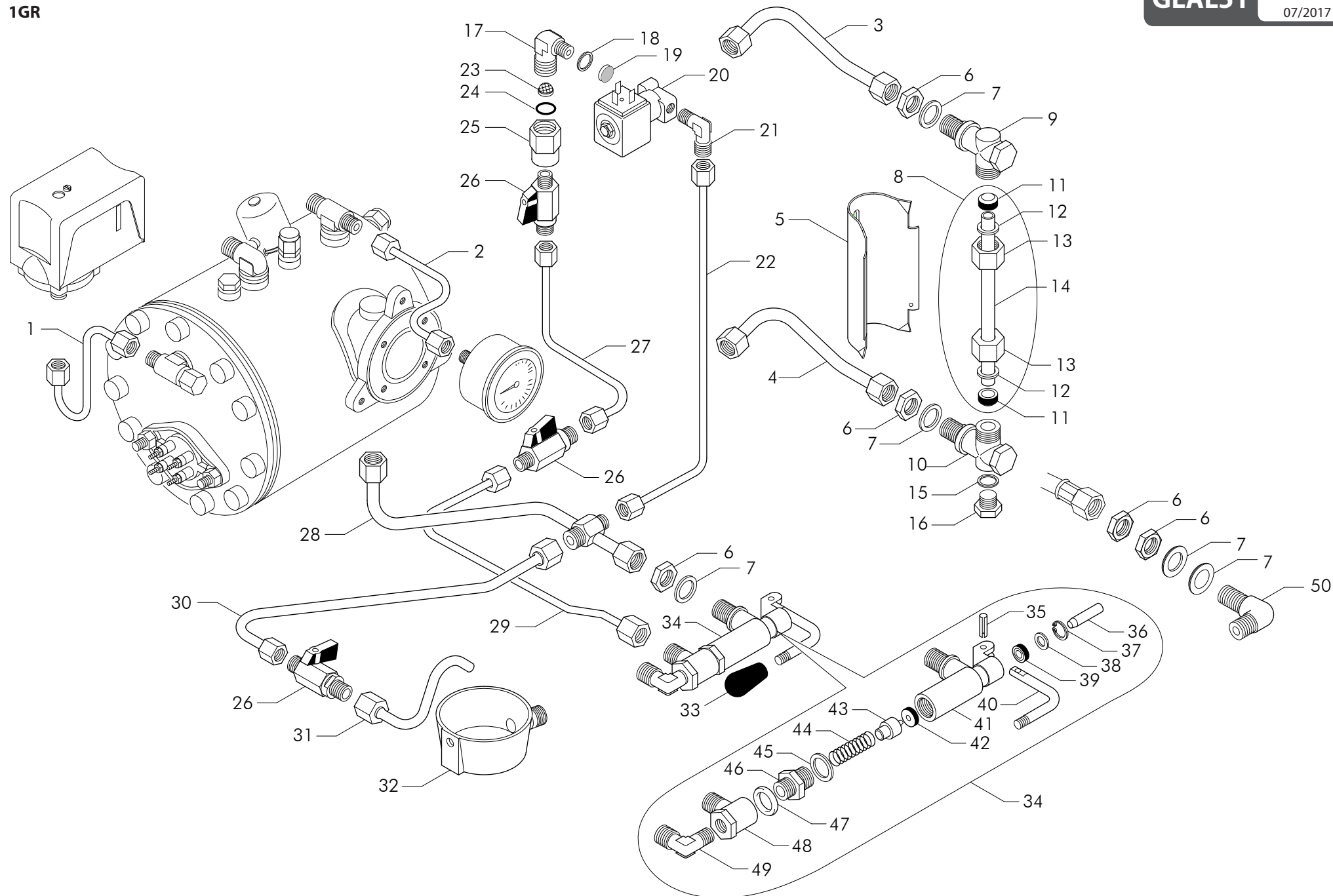
3GR

Pos	Code	Denominazione - IT -	Denomination - EN -	Denomination - FR -	Denomination - DE -
1	23049	DADO OTTONE M8	BRASS NUT M8	ECROU LAITON M8	MESSING-SCHRAUBENMUTTER M8
2	4617107	RESISTENZA 3GR 6P 230/240V 5000/5440W	HEATING ELEM. 3GR 220/240V 5000/5440	RESISTANCE 3GR 220/240V 5000/5440W	HEIZKORPER 3GR 220/240V 5000/5440W
3	12001	GUARNIZIONE TEFLON 58x43x2	TEFLON GASKET 58x43x2	JOINT TEFLON 58x43x2	TEFLON DICHTUNG 58x23x2
4	23133	PRIGIONIERO INOX 8x40	STAINLESS STEEL BOLT 8x40	VIS INOX 8x40	STAHLSCHRAUBE 8x40 8x40
5	23556	VITE TCEI INOX 10x20	STEEL SCREW TCCE 10X20	VIS INOX TCCE 10X20	STAHLSCHRAUBE TCCE 10x20
6	43060	RACCORDO 1/4x1/4x1/4 T	'T' CONNECTOR 1/4 + 1/4 + 1/4	RACCORD 'T' 1/4 + 1/4 + 1/4	T'-ANSCHLUSS 1/4+1/4+1/4
7	25782	TAPPO FEMMINA 1/4 GAS	1/4 GAS FEMALE TAP	BOUCHON FEMELLE 1/4 GAZ	INNENANSCHLUSSSTOPSEL 1/4 GAS
8	12007	GUARNIZIONE KLINGERSIL4400	KLINGERSIL4400 SEAL	JOINT KLINGERSIL4400	DICHTUNG KLINGER SIL4400
9	12100	GUARNIZIONE CU/ALIM 1/4 18.7x13.2x2.5	CU GASKET 1/4 18.7X13.2X2.5	JOINT CU 1/4 18.7X13.2X2.5	CU DICHTUNG 1/4 18.7x13.2x2.5
10	53011	FLANGIA	FLANGE	BRIDE	FLANSCH
11	12003	GUARNIZIONE CALDAIA	BOILER GASKET	JOINT CHAUDIERE	KESSELDICHTUNG
12	62348	CALDAIA 3GR	BOILER 3GR	CHAUDIERE 3GR	KESSEL 3GR
13	12101	GUARNIZIONE RAME 3/8 22x17x3	GASKET COPPER 3/8 22x17x3	JOINT CUIVRE 3/8 22x17x3	KUPFERDICHTUNG 3/8 22x17x3
14	43052	RACCORDO "L" 3/8	CONNECTOR 'L' 3/8	RACCORD 'L' 3/8	ANSCHLUSS 'L' 3/8
15	12153	GUARNIZIONE RAME 1/4 17x13.3x1.5	GASKET 1/4 17x13.3x1.5 COPPER	JOINT CUIVRE 1/4 17x13.3x1.5	KUPFERDICHTUNG 1/4 17x13.3x1.5
16	56150	VALVOLA ANTIRISUCCHIO V.A.R.	ANTI-EDDY VALVE V.A.R.	SOUPAPE ANTI-DEPRESSION V.A.R.	VENTIL UNTERDRUCKFREI V.A.R.
17	4820251	SONDA LIVELLO L.125	LEVEL PROBE L.125	JAUG L.125	PEGELFUHLER L.125
18	12154	GUARNIZIONE CU 3/8 22x17x1.5	GASKET COPPER 3/8 22x17x1,5	JOINT CUIVRE 3/8 22x17x1.5	KUPFERDICHTUNG 3/8 22x17x1.5
19	4625785	TAPPO MASCHIO 3/8	MALE CAP 3/8	BOUCHON MALE 3/8	STOPFEN 3/8
20	52000119	TUBO D-10 L.125 PESCANTE L	TUBE D-10 L.125	TUYAU D-10 L.125	ROHR D-10 L.125
21	20352	VALVOLA DI SICUREZZA *CE*	*CE* SAFETY VALVE	SOUPAPE DE SECURITE *CE*	SICHERHEITSVENTIL *CE*
22	15006001	FLANGIA VALVOLA SICUREZZA	FLANGE VALVE	JOINT VANNE	FLANSCH VENTIL
23	12300000	GUARNIZIONE OR	GASKET O RING	JOINT OR	OR DICHTUNG
24	56009980	ASSIEME PROTEZIONE VALVOLE SICUREZZA	UNIT PROTECTION VALVE	ENSEMBLE PROTECTION VANNE	SATZ-SCHUTZGITTER VENTIL
25	15478002	TUBO SILICONE 8x11 L.70cm	SILICONE TUBE 8x11 L.70cm	TUYAU SILICONE 8x11 L.70cm	SILIKONROHR 8x11 L.70cm
26	43033	RACCORDO "T" 3/8x3/8x1/4	3/8x3/8x1/4 T FITTING	RACCORD "T" 3/8x3/8x1/4	ANSCHLUSS 3/8x3/8x1/4 T
27	25781	TAPPO FEMMINA 3/8	FEMALE CAP 3/8	BOUCHON FEMELLE 3/8	STOPFEN 3/8
28	12402	GUARNIZIONE PASTICCA 15x3	GASKET 15x3	JOINT 15x3	DICHTUNG 15x3



4GR

Pos	Code	Denominazione - IT -	Denomination - EN -	Denomination - FR -	Denomination - DE -
1	23049	DADO OTTONE M8	BRASS NUT M8	ECROU LAITON M8	MESSING-SCHRAUBENMUTTER M8
2	4617153	RESISTENZA 4GR 6P 230/240V 6000/6530W	HEATING EL. 4GR 220/240V 6530W 6P	RESISTANCE 4GR 220/240V 6530W 6P	HEIZKORPER 4GR 220/240V 6530W 6P
3	12001	GUARNIZIONE TEFLON 58x43x2	TEFLON GASKET 58x43x2	JOINT TEFLON 58x43x2	TEFLON DICHTUNG 58x23x2
4	23133	PRIGIONIERO INOX 8x40	STAINLESS STEEL BOLT 8x40	VIS INOX 8x40	STAHLSCHRAUBE 8x40 8x40
5	23556	VITE TCEI INOX 10x20	STEEL SCREW TCCE 10X20	VIS INOX TCCE 10X20	STAHLSCHRAUBE TCCE 10x20
6	43060	RACCORDO 1/4x1/4x1/4 T	'T' CONNECTOR 1/4 + 1/4 + 1/4	RACCORD 'T' 1/4 + 1/4 + 1/4	T'-ANSCHLUSS 1/4+1/4+1/4
7	25782	TAPPO FEMMINA 1/4 GAS	1/4 GAS FEMALE TAP	BOUCHON FEMELLE 1/4 GAZ	INNENANSCHLUSSSTOPSEL 1/4 GAS
8	12007	GUARNIZIONE KLINGERSIL4400	KLINGERSIL4400 SEAL	JOINT KLINGERSIL4400	DICHTUNG KLINGER SIL4400
9	12100	GUARNIZIONE CU/ALIM 1/4 18.7x13.2x2.5	CU GASKET 1/4 18.7X13.2X2.5	JOINT CU 1/4 18.7X13.2X2.5	CU DICHTUNG 1/4 18.7x13.2x2.5
10	53011	FLANGIA	FLANGE	BRIDE	FLANSCH
11	12003	GUARNIZIONE CALDAIA	BOILER GASKET	JOINT CHAUDIERE	KESSELDICHTUNG
12	62800300	CALDAIA AL/4	BOILER AL/4	CHAUDIERE AL/4	KESSEL AL/4
13	12101	GUARNIZIONE RAME 3/8 22x17x3	GASKET COPPER 3/8 22x17x3	JOINT CUIVRE 3/8 22x17x3	KUPFERDICHTUNG 3/8 22x17x3
14	43052	RACCORDO "L" 3/8	CONNECTOR 'L' 3/8	RACCORD 'L' 3/8	ANSCHLUSS 'L' 3/8
15	12153	GUARNIZIONE RAME 1/4 17x13.3x1.5	GASKET 1/4 17x13.3x1.5 COPPER	JOINT CUIVRE 1/4 17x13.3x1.5	KUPFERDICHTUNG 1/4 17x13.3x1.5
16	56150	VALVOLA ANTIRISUCCHIO V.A.R.	ANTI-EDDY VALVE V.A.R.	SOUPAPE ANTI-DEPRESSION V.A.R.	VENTIL UNTERDRUCKFREI V.A.R.
17	4820251	SONDA LIVELLO L.125	LEVEL PROBE L.125	JAUG L.125	PEGELFUHLER L.125
18	12154	GUARNIZIONE CU 3/8 22x17x1.5	GASKET COPPER 3/8 22x17x1,5	JOINT CUIVRE 3/8 22x17x1.5	KUPFERDICHTUNG 3/8 22x17x1.5
19	52000119	TUBO D-10 L.125 PESCANTE L	TUBE D-10 L.125	TUYAU D-10 L.125	ROHR D-10 L.125
20	20352	VALVOLA DI SICUREZZA *CE*	*CE* SAFETY VALVE	SOUPAPE DE SECURITE *CE*	SICHERHEITSVENTIL *CE*
21	15006001	FLANGIA VALVOLA SICUREZZA	FLANGE VALVE	JOINT VANNE	FLANSCH VENTIL
22	12300000	GUARNIZIONE OR	GASKET O RING	JOINT OR	OR DICHTUNG
23	56009980	ASSIEME PROTEZIONE VALVOLE SICUREZZA	UNIT PROTECTION VALVE	ENSEMBLE PROTECTION VANNE	SATZ-SCHUTZGITTER VENTIL
24	15478002	TUBO SILICONE 8x11 L.70cm	SILICONE TUBE 8x11 L.70cm	TUYAU SILICONE 8x11 L.70cm	SILIKONROHR 8x11 L.70cm
25	4625785	TAPPO MASCHIO 3/8	MALE CAP 3/8	BOUCHON MALE 3/8	STOPFEN 3/8
26	43033	RACCORDO "T" 3/8x3/8x1/4	3/8x3/8x1/4 T FITTING	RACCORD "T" 3/8x3/8x1/4	ANSCHLUSS 3/8x3/8x1/4 T
27	25781	TAPPO FEMMINA 3/8	FEMALE CAP 3/8	BOUCHON FEMELLE 3/8	STOPFEN 3/8
28	12402	GUARNIZIONE PASTICCA 15x3	GASKET 15x3	JOINT 15x3	DICHTUNG 15x3

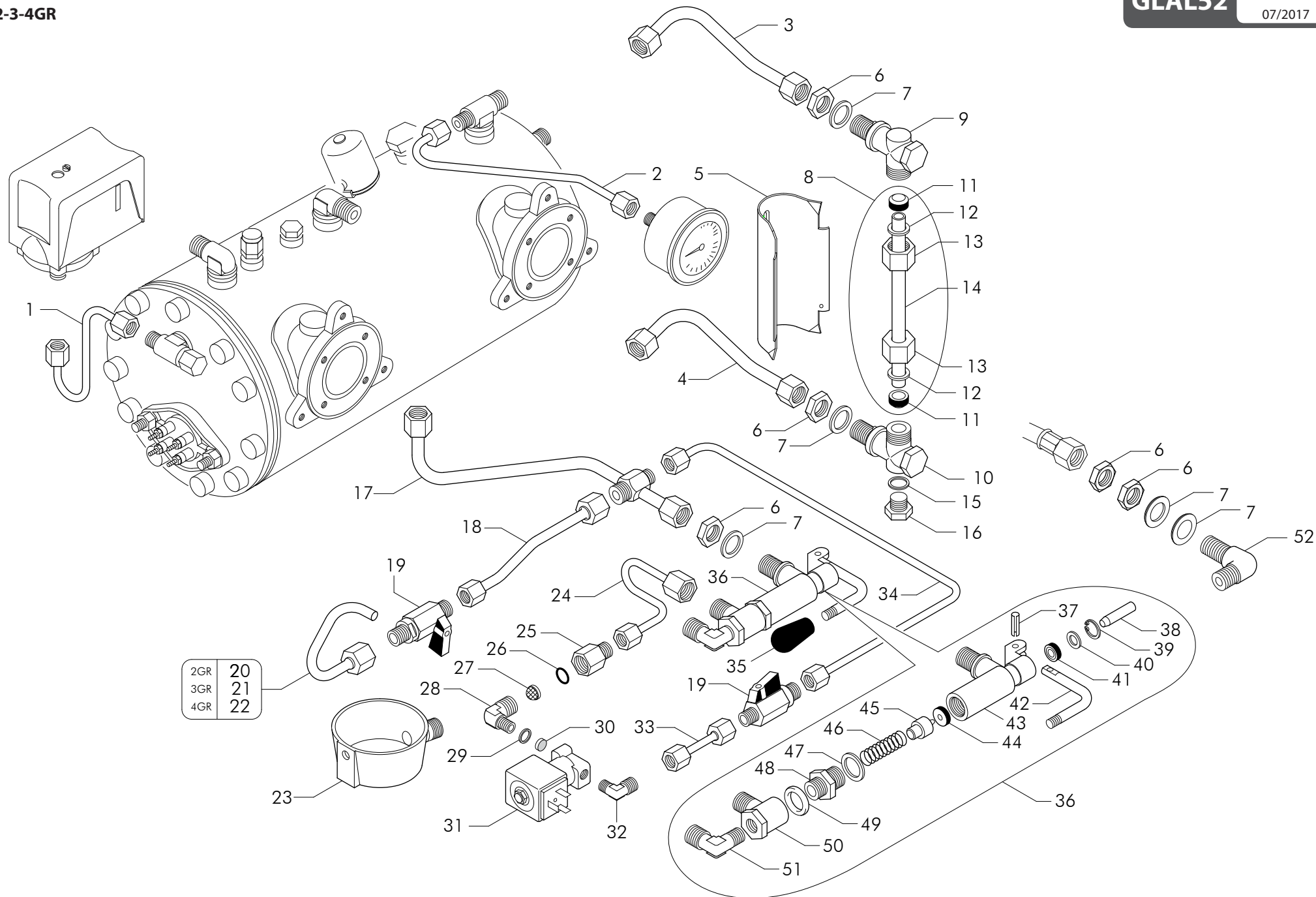


1GR

Pos	Code	Denominazione - IT -	Denomination - EN -	Denomination - FR -	Denomination - DE -
1	52002832	TUBO D-6 L.240	TUBE D-6 L.240	TUYAU D-6 L.240	ROHR D-6 L.240
2	52000424	TUBO D-4 L.865	TUBE D-4 L.865	TUYAU D-4 L.865	ROHR D-4 L.865
3	52000007	TUBO D-10 L.135	TUBE D-10 L. 135	TUYAU D-10 L.135	ROHR D-10 L. 135
4	52000004	TUBO D-10 L.155	TUBE D-10 L.155	TUYAU D-10 L.155	ROHR D-10 L.155
5	44002	COPRILIVELLO VERNICIATO BIANCO	LEVEL INDICATOR COVER PAINTED WHITE	COUVRE-NIVEAU LAQUE BLANC	NIVEAUDECKEL
6	25356	CONTRODADO OTTONE 3/8	BRASS LOCK NUT 3/8	CONTRE-ECROU LAITON 3/8	MESSING-GEGENMUTTER 3/8
7	25651	RONDELLA OTTONE 3/8	BRASS WASHER 3/8	RONDELLE LAITON 3/8	MESSINGSCHIEBE 3/8
8	56001	ASSIEME TUBO LIVELLO	LEVEL TUBE UNIT	ENSEMBLE TUBE DE NIVEAU	ROHRSATZ FUR NIVEAU
9	53002	CORPO LIVELLO SUPERIORE	UPPER LEVEL CONNECTOR	CORPS DE NIVEAU SUPERIEUR	OBERNIVEAUKORPER
10	53001	CORPO LIVELLO INFERIORE	LOWER LEVEL CONNECTOR	CORPS DE NIVEAU INFERIEUR	UNTERNIVEAUKORPER
11	12200	GUARNIZIONE 16x10x8	GASKET 16X10X8	JOINT 16X10X8	DICHTUNG 16x10x8
12	25652	RONDELLA OTTONE D17.8	BRASS WASHER D.17.8	RONDELLE LAITON D.17.8	MESSING-SCHIEBE D.17.8
13	25383	DADO OTTONE M20x1.5	BRASS NUT 20X1.5	ECROU LAITON 20X1.5	MESSING-MUTTER 20x1.5
14	21300	TUBO VETRO LIVELLO 11x8x170	GLASS LEVEL TUBE 11X8X170	TUBE NIVEAU EN VERRE 11X8X170	NIVEAU GLASROHR 11x8x170
15	12153	GUARNIZIONE RAME 1/4 17x13.3x1.5	GASKET 1/4 17x13.3x1.5 COPPER	JOINT CUIVRE 1/4 17x13.3x1.5	KUPFERDICHTUNG 1/4 17x13.3x1.5
16	4925780	TAPPO MASCHIO OTTONE 1/4	BRASS MALE CAP 1/4	BOUCHON MALE LAITON 1/4	MESSING-STOPFEN 1/4
17	4823206	RACCORDO -L- D10 3/8x1/8CON	ELBOW BRASS CONNECTOR D10 3/8X1/8	RACCORD COUDE LAITON D10 3/8X1/8	MESSING FITTING D10 3/8x1/8
18	12155	GUARNIZIONE RAME 8.5x5x1	COPPER GASKET 8.5X5X1	JOINT CU 8.5X5X1	CU DICHTUNG 8.5x5x1
19	10251001	FILTRO IN ACCIAIO D-8 Sp.0,3	STEEL FILTER D-8 - 0.3 THICK	FILTRE EN ACIER D-8 Ep.0,3	STAHLFILTER D-8 Sp.0,3
20	4618162005	ELETTROVALVOLA AEA 220-240V 50-60Hz VDE	SOL.VALVE WATER REFILL 220/240 50/60HZ	ELECTROVANNE REA 220/240V 50/60Hz VDE	ELEKTROVENTIL AWZ 230/250 V 50/60 Hz
20	4618195	ELETTROVALVOLA AEA 110-120V/50-60Hz CW510L	SOL.VALVE WATER REFILL 110/120V 50/60HZ	ELECTROVANNE REA 110/120V 50/60Hz NSF	ELEKTROVENTIL AWZ 110/120V 50/60Hz NSF
21	4823201	RACCORDO GOM.D6.2 1/4M 1/8M	ELBOW CONNECTOR D6.2 1/4M 1/8M	RACCORD COUDE D6.2 1/4M 1/8M	ANSCHLUSS D6.2 1/4M 1/8M
22	52000366	TUBO D-6 L.575	TUBE D-6 L.575	TUYAU D-6 L.575	ROHR D-6 L.575
23	10254	FILTRO ACCIAIO 160-200 MESH	STEEL FILTER 160-200 MESH	FILTRE EN ACIER 160-200 MESH	STAHLFILTER 160-200 MESH
24	12312	GUARNIZIONE OR FILTRO AEA 10x2	O RING FOR WATER REFILL FILTER 10x2	JOINT OR FILTRE AUT.REM.EAU 10X2	OR DICHTUNG FUR WASSERFULLUNGFILTER
25	25741	RIDUZIONE AEA MOTORE INCORPORATO	AUTOMATIC WATER REFILL REDUCTION	REDUCTION REMPLISSAGE EAU AUTOMAT.	REDUKTION AUT.WASSERFULLUNG
26	20354	VALVOLA CHIUSURA AEA	PRESSURE RELEASE TAP BULK UNIT	CLAPET FERMETURE AUT.ARRIVEE EAU	ABSPERRVENTIL x AUT.WASSERZUFUHR
27	52000111	TUBO D-8 L.480	TUBE D-8 L.480	TUYAU D-8 L. 480	ROHR D-8 L. 480
28	52001513	TUBO D-10 L.320	TUBE D-10 L.320	TUYAU D-10 L.320	ROHR D-10 L.320
29	52001346	TUBO D-8 L.155	TUBE D-8 L.155	TUYAU D-8 L.155	ROHR D-8 L.155
30	52000365	TUBO D-8 L.280	TUBE D-8 L.280	TUYAU D-8 L.280	ROHR D-8 L.280
31	52000267	TUBO D-8 L.100	TUBE D-8 L.100	TUYAU D-8 L.100	ROHR D. 8 L.100
32	15502	VASCHETTA SCARICO ROTONDA D 80	ROUND DRAIN BASIN D.80mm	CUVE A VIDANGER RONDE D.80mm	RUNDE ABFLUSSCHALE D.80mm
33	15400	POMELLO LEVETTA POMPA	MANUAL FILL LEVER KNOB	BOUTON LEVIER POMPE	KNAUF PUMPENHEBEL
34	61015	ASSIEME POMPA H2O ER+AEA SPH (-POMELLO)	WATER PUMP ASSEMBLY ER+AEA SPH (-KNOB)	ENS. POMPE A EAU ER+AEA SPH (-BOUTON)	SET WASSERPUMPE ER+AEA SPH (-KNAUF)
35	10701	SPINA ELASTICA BRUNITA 5x20	BURNISHED ROLL PIN 5X20	FICHE ELASTIQUE BRUNIE 5X20	BRUNIERTER ELASTISCHER STECKER 5x20

1GR

Pos	Code	Denominazione - IT -	Denomination - EN -	Denomination - FR -	Denomination - DE -
36	25315	ASTINA PER POMPA ACQUA 8x35.6	WATER PUMP SPINDLE 8X35.6	TIGE POMPE EAU 8X35.6	STANGE FUR WASSERPUMPE 8x35.6
37	10002	ANELLO DI ARRESTO INOX J 16 DIN472	STAINLESS CIRCLIP J 16	CIRCLIP INOX J 16	STAHLHALTERING J 16 DIN472
38	25653	RONDELLA PER ASTINA 15.4	SPINDLE WASHER 15.4	RONDELLE POUR TIGE 15.4	SCHEIBE F. STANGE 15.4
39	12205	GUARNIZIONE GOMMA GACO DE 056	GACO RUBBER GASKET DE 056	JOINT EN CAOUTCHOUC GACO DE 056	GACO GUMMIDICHTUNG DE 056
40	25201	LEVA POMPA FINITA CURVA 8x110	BENT MANUAL FILL LEVER 8x110	LEVIER POMPE EMBOUT COUDE 8x110	KRUMMER PUMPENHEBEL 8x110
41	4553004	CORPO POMPA Ni	PUMP BODY Ni ETL	CORPS POMPE Ni ETL	PUMPENKORPER Ni ETL
42	12203	GUARNIZIONE HNBR 15x4x4	RUBBER GASKET 15x4x4	JOINT EN CAOUTCHOUC 15X4X4	GUMMIDICHTUNG 15x4x4
43	4525615	PISTONCINO POMPA H2O Ni	WATER PUMP JUMPER Ni ETL	PISTON POMPE EAU Ni ETL	KOLBEN FUR WASSERPUMPE Ni ETL
44	10451	MOLLA PISTONE POMPA VALVOLA	PUMP-VALVE S.C.PISTON SPRING	RESSORT PISTON POMPE-VALVE	PUMPENVENTIL S.C.KOLBENFEDER
45	12150	GUARNIZIONE RAME	PUMP COPPER GASKET 25X18.2X2	JOINT CU DE POMPE 25X18.2X2	PUMPENDICHTUNG 25x18.2x2
46	4525680	RACCORDO POMPA 3/8xM18x1.5 Ni	PUMP CONNECTOR 3/8 x M18 x 1.5 Ni ETL	RACCORD POMPE 3/8 x M18 x 1.5 Ni ETL	PUMPENFITTING 3/8 x M18 x 1.5 Ni ETL
47	12101	GUARNIZIONE RAME 3/8 22x17x3	GASKET COPPER 3/8 22x17x3	JOINT CUIVRE 3/8 22x17x3	KUPFERDICHTUNG 3/8 22x17x3
48	43030001	RACCORDO INIETTORE 3/8Fx3/8Mx14F	3/8Fx3/8Mx14F INJECTOR FITTING	RACC. INJECTEUR 3/8Fx3/8Mx14F	ANSCHLUSS EINSPRITZER 3/8Fx3/8Mx14F
49	4523202	RACCORDO "L" D-8,2 3/8x1/4 CON Ni	CONNECTOR ELBOW D-8 3/8x1/4 CON Ni	RACCORD COUDE LAITON D8,2 3/8x1/4 Ni	MESSING FITTING D8,2 3/8x1/4 Ni
50	43067	RACCORDO "L" 3/8 GASx3/8 GAS L.30	3/8 GAS X 3/8 GAS L FITTING L.30	RACCORD L 3/8 GAZx3/8 GAZ L.30	ANSCHLUSS L 3/8 GAS x 3/8 GAS L. 30

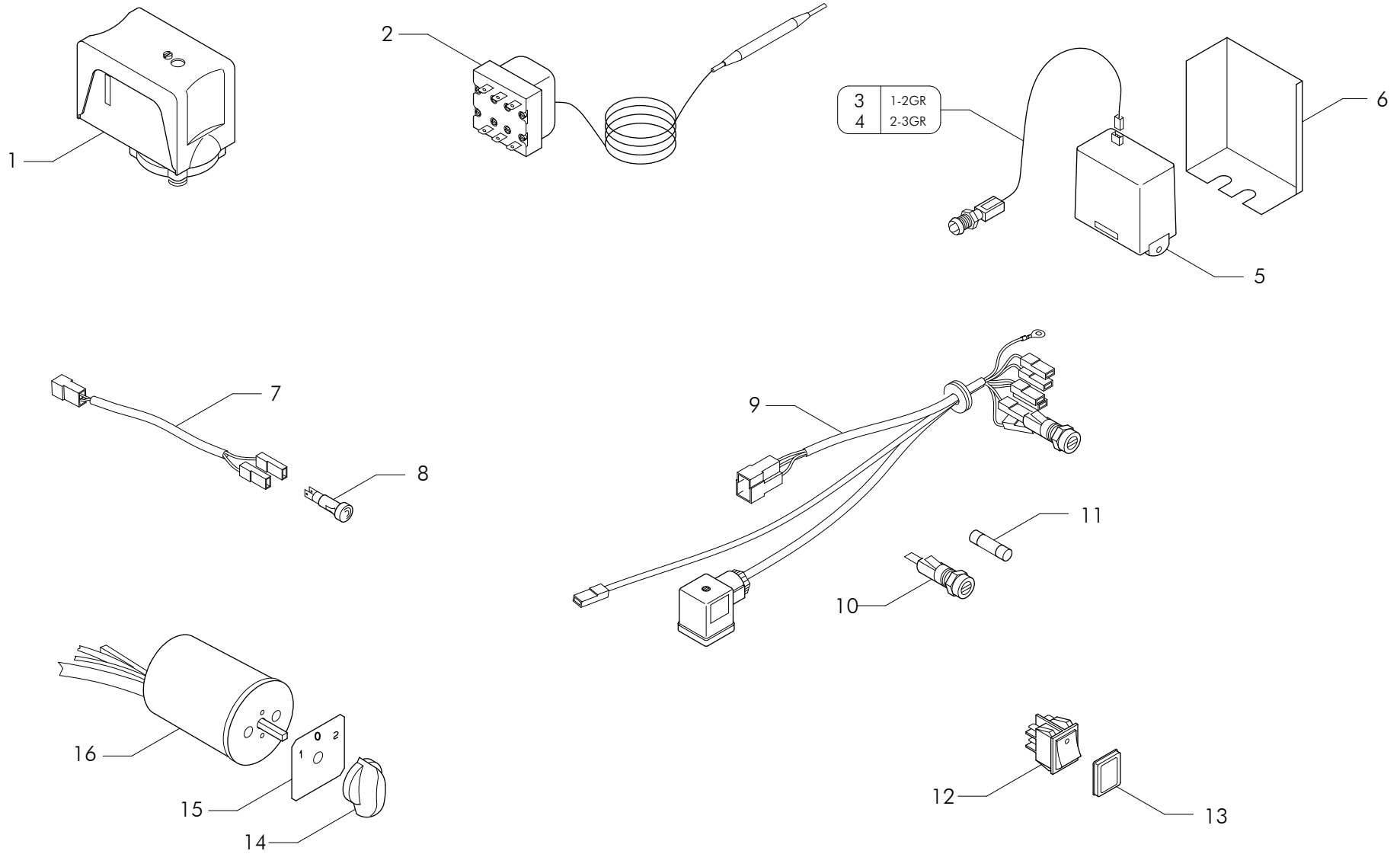


2-3-4GR

Pos	Code	Denominazione - IT -	Denomination - EN -	Denomination - FR -	Denomination - DE -
1	52002832	TUBO D-6 L.240	TUBE D-6 L.240	TUYAU D-6 L.240	ROHR D-6 L.240
2	52000424	TUBO D-4 L.865	TUBE D-4 L.865	TUYAU D-4 L.865	ROHR D-4 L.865
2	52004323	TUBO D-6 L.780	TUBE D-6 L.780	TUYAU D-6 L.780	ROHR D-6 L.780
3	52000007	TUBO D-10 L.135	TUBE D-10 L. 135	TUYAU D-10 L.135	ROHR D-10 L. 135
4	52000004	TUBO D-10 L.155	TUBE D-10 L.155	TUYAU D-10 L.155	ROHR D-10 L.155
5	44002	COPRILIVELLO VERNICIATO BIANCO	LEVEL INDICATOR COVER PAINTED WHITE	COUVRE-NIVEAU LAQUE BLANC	NIVEAUDECKEL
6	25356	CONTRODADO OTTONE 3/8	BRASS LOCK NUT 3/8	CONTRE-ECROU LAITON 3/8	MESSING-GEGENMUTTER 3/8
7	25651	RONDELLA OTTONE 3/8	BRASS WASHER 3/8	RONDELLE LAITON 3/8	MESSINGSCHIEBE 3/8
8	56001	ASSIEME TUBO LIVELLO	LEVEL TUBE UNIT	ENSEMBLE TUBE DE NIVEAU	ROHRSATZ FUR NIVEAU
9	53002	CORPO LIVELLO SUPERIORE	UPPER LEVEL CONNECTOR	CORPS DE NIVEAU SUPERIEUR	OBERNIVEAUKORPER
10	53001	CORPO LIVELLO INFERIORE	LOWER LEVEL CONNECTOR	CORPS DE NIVEAU INFERIEUR	UNTERNIVEAUKORPER
11	12200	GUARNIZIONE 16x10x8	GASKET 16X10X8	JOINT 16X10X8	DICHTUNG 16x10x8
12	25652	RONDELLA OTTONE D17.8	BRASS WASHER D.17.8	RONDELLE LAITON D.17.8	MESSING-SCHIEBE D.17.8
13	25383	DADO OTTONE M20x1.5	BRASS NUT 20X1.5	ECROU LAITON 20X1.5	MESSING-MUTTER 20x1.5
14	21300	TUBO VETRO LIVELLO 11x8x170	GLASS LEVEL TUBE 11X8X170	TUBE NIVEAU EN VERRE 11X8X170	NIVEAU GLASROHR 11x8x170
15	12153	GUARNIZIONE RAME 1/4 17x13.3x1.5	GASKET 1/4 17x13.3x1.5 COPPER	JOINT CUIVRE 1/4 17x13.3x1.5	KUPFERDICHTUNG 1/4 17x13.3x1.5
16	4925780	TAPPO MASCHIO OTTONE 1/4	BRASS MALE CAP 1/4	BOUCHON MALE LAITON 1/4	MESSING-STOPFEN 1/4
17	52001513	TUBO D-10 L.320	TUBE D-10 L.320	TUYAU D-10 L.320	ROHR D-10 L.320
18	52000361	TUBO D-8 L.135	TUBE D-8 L.135	TUYAU D-8 L.135	ROHR D-8 L.135
19	20354	VALVOLA CHIUSURA AEA	PRESSURE RELEASE TAP BULK UNIT	CLAPET FERMETURE AUT.ARRIVEE EAU	ABSPERRVENTIL x AUT.WASSERZUFUHR
20	52000267	TUBO D-8 L.100	TUBE D-8 L.100	TUYAU D-8 L.100	ROHR D. 8 L.100
21	52000362	TUBO D-8 L.255	TUBE D-8 L.255	TUYAU D-8 L.255	ROHR D-8 L.255
22	52000363	TUBO D-8 L.380	TUBE D-8 L.380	TUYAU D-8 L.380	ROHR D-8 L.380
23	15502	VASCHETTA SCARICO ROTONDA D 80	ROUND DRAIN BASIN D.80mm	CUVE A VIDANGER RONDE D.80mm	RUNDE ABFLUSSCHALE D.80mm
24	52001475	TUBO D-6 L.150	TUBE D-6 L.150	TUYAU D-6 L.150	ROHR D-6 L.150
25	4925705	RACCORDO 3/8Fx1/4M	CONNECTOR 3/8X1/4	RACCORD 3/8X1/4	FILTERFITTING 3/8X1/4
26	12312	GUARNIZIONE OR FILTRO AEA 10x2	O RING FOR WATER REFILL FILTER 10x2	JOINT OR FILTRE AUT.REM.EAU 10X2	OR DICHTUNG FUR WASSERFULLUNGFILTER
27	10254	FILTRO ACCIAIO 160-200 MESH	STEEL FILTER 160-200 MESH	FILTRE EN ACIER 160-200 MESH	STAHLFILTER 160-200 MESH
28	4823206	RACCORDO -L- D10 3/8x1/8CON	ELBOW BRASS CONNECTOR D10 3/8X1/8	RACCORD COUDE LAITON D10 3/8X1/8	MESSING FITTING D10 3/8x1/8
29	12155	GUARNIZIONE RAME 8.5x5x1	COPPER GASKET 8.5X5X1	JOINT CU 8.5X5X1	CU DICHTUNG 8.5x5x1
30	10251001	FILTRO IN ACCIAIO D-8 Sp.0,3	STEEL FILTER D-8 - 0.3 THICK	FILTRE EN ACIER D-8 Ep.0,3	STAHLFILTER D-8 Sp.0,3
31	4618162004	ELETTROVALVOLA AEA 208-240V 50-60Hz CW510L	SOL.VALVE WATER REFILL 220/240 50/60HZ	ELECTROVANNE REA 220/240V 50/60Hz	ELEKTROVENTIL AWZ 230/250 V 50/60 Hz
31	4618195	ELETTROVALVOLA AEA 110-120V/50-60Hz CW510L	SOL.VALVE WATER REFILL 110/120V 50/60HZ	ELECTROVANNE REA 110/120V 50/60Hz NSF	ELEKTROVENTIL AWZ 110/120V 50/60HZ NSF
32	23201	RACCORDO GOM.D6.2 1/4M 1/8M-AEA	ELBOW BRASS CONNECTOR D6.2 1/4M 1/8M	RACCORD COUDE LAITON D6.2 1/4M 1/8M	MESSING-ANSCHLUSS D6.2 1/4M 1/8M
33	52001590	TUBO D-6 L.28	TUBE D-6 L.28	TUYAU D-6 L.28	ROHR D-6 L.28
34	52000589	TUBO D-6 L.140 RP24	TUBE D-6 L.140 RP24	TUYAU D-6 L.140 RP24	ROHR D-6 L.140 RP24

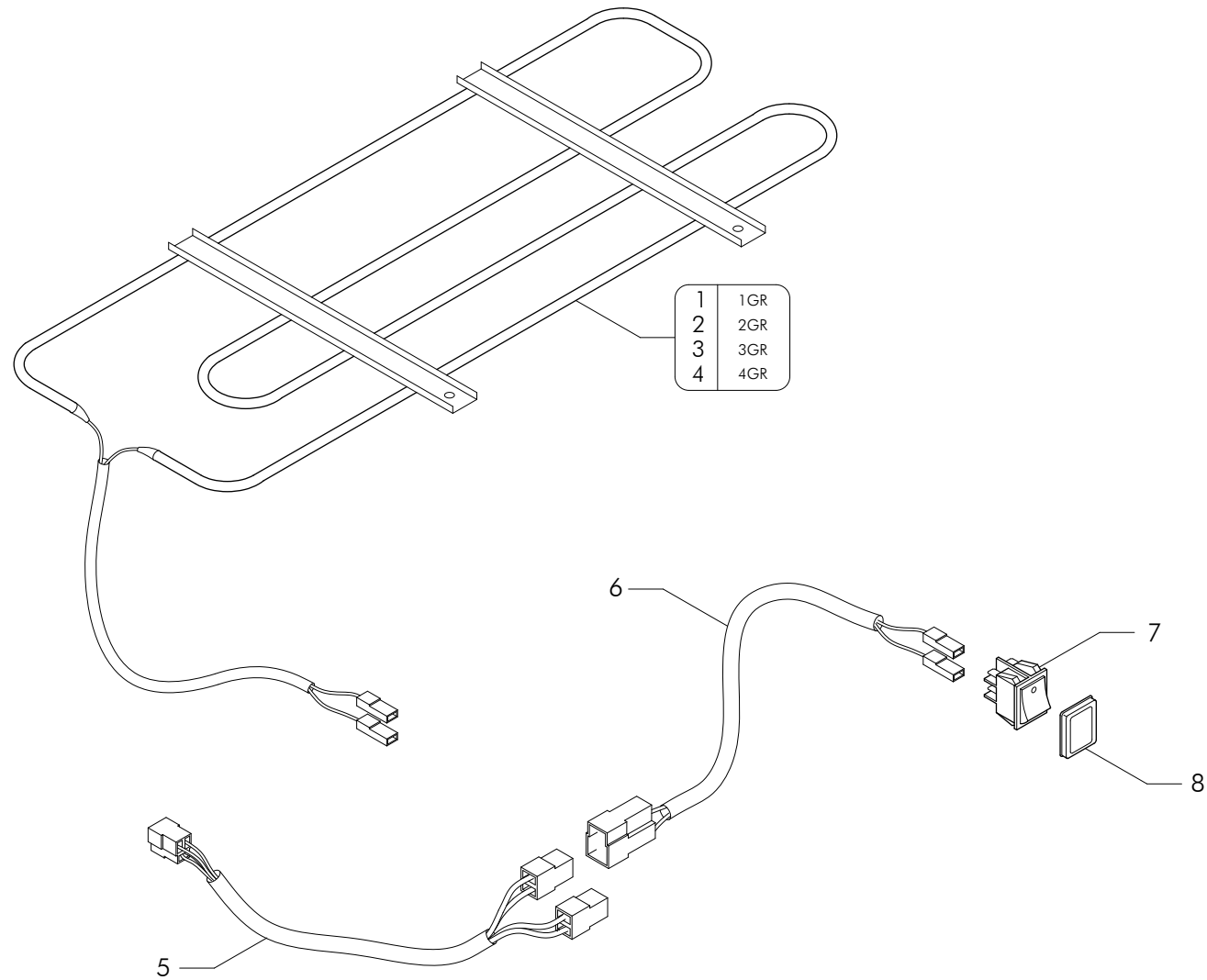
2-3-4GR

Pos	Code	Denominazione - IT -	Denomination - EN -	Denomination - FR -	Denomination - DE -
35	15400	POMELLO LEVETTA POMPA	MANUAL FILL LEVER KNOB	BOUTON LEVIER POMPE	KNAUF PUMPENHEBEL
36	61015	ASSIEME POMPA H2O ER+AEA SPH (-POMELLO)	WATER PUMP ASSEMBLY ER+AEA SPH (-KNOB)	ENS. POMPE A EAU ER+AEA SPH (-BOUTON)	SET WASSERPUMPE ER+AEA SPH (-KNAUF)
37	10701	SPINA ELASTICA BRUNITA 5x20	BURNISHED ROLL PIN 5X20	FICHE ELASTIQUE BRUNIE 5X20	BRUNIERTER ELASTISCHER STECKER 5x20
38	25315	ASTINA PER POMPA ACQUA 8x35.6	WATER PUMP SPINDLE 8X35.6	TIGE POMPE EAU 8X35.6	STANGE FUR WASSERPUMPE 8x35.6
39	10002	ANELLO DI ARRESTO INOX J 16 DIN472	STAINLESS CIRCLIP J 16	CIRCLIP INOX J 16	STAHLHALTERING J 16 DIN472
40	25653	RONDELLA PER ASTINA 15.4	SPINDLE WASHER 15.4	RONDELLE POUR TIGE 15.4	SCHEIBE F. STANGE 15.4
41	12205	GUARNIZIONE GOMMA GACO DE 056	GACO RUBBER GASKET DE 056	JOINT EN CAOUTCHOUC GACO DE 056	GACO GUMMIDICHTUNG DE 056
42	25201	LEVA POMPA FINITA CURVA 8x110	BENT MANUAL FILL LEVER 8x110	LEVIER POMPE EMBOUT COUDE 8x110	KRUMMER PUMPENHEBEL 8x110
43	4553004	CORPO POMPA Ni	PUMP BODY Ni ETL	CORPS POMPE Ni ETL	PUMPENKORPER Ni ETL
44	12203	GUARNIZIONE HNBR 15x4x4	RUBBER GASKET 15x4x4	JOINT EN CAOUTCHOUC 15X4X4	GUMMIDICHTUNG 15x4x4
45	4525615	PISTONCINO POMPA H2O Ni	WATER PUMP JUMPER Ni ETL	PISTON POMPE EAU Ni ETL	KOLBEN FUR WASSERPUMPE Ni ETL
46	10451	MOLLA PISTONE POMPA VALVOLA	PUMP-VALVE S.C.PISTON SPRING	RESSORT PISTON POMPE-VALVE	PUMPENVENTIL S.C.KOLBENFEDER
47	12150	GUARNIZIONE RAME	PUMP COPPER GASKET 25X18.2X2	JOINT CU DE POMPE 25X18.2X2	PUMPENDICHTUNG 25x18.2x2
48	4525680	RACCORDO POMPA 3/8xM18x1.5 Ni	PUMP CONNECTOR 3/8 x M18 x 1.5 Ni ETL	RACCORD POMPE 3/8 x M18 x 1.5 Ni ETL	PUMPENFITTING 3/8 x M18 x 1.5 Ni ETL
49	12101	GUARNIZIONE RAME 3/8 22x17x3	GASKET COPPER 3/8 22x17x3	JOINT CUIVRE 3/8 22x17x3	KUPFERDICHTUNG 3/8 22x17x3
50	43030001	RACCORDO INIETTORE 3/8Fx3/8Mx14F	3/8Fx3/8Mx14F INJECTOR FITTING	RACC. INJECTEUR 3/8Fx3/8Mx14F	ANSCHLUSS EINSPRITZER 3/8Fx3/8Mx14F
51	4523202	RACCORDO "L" D-8,2 3/8x1/4 CON Ni	CONNECTOR ELBOW D-8 3/8x1/4 CON Ni	RACCORD COUDE LAITON D8,2 3/8x1/4 Ni	MESSING FITTING D8,2 3/8x1/4 Ni
52	43067	RACCORDO "L" 3/8 GASx3/8 GAS L.30	3/8 GAS X 3/8 GAS L FITTING L.30	RACCORD L 3/8 GAZx3/8 GAZ L.30	ANSCHLUSS L 3/8 GAS x 3/8 GAS L. 30



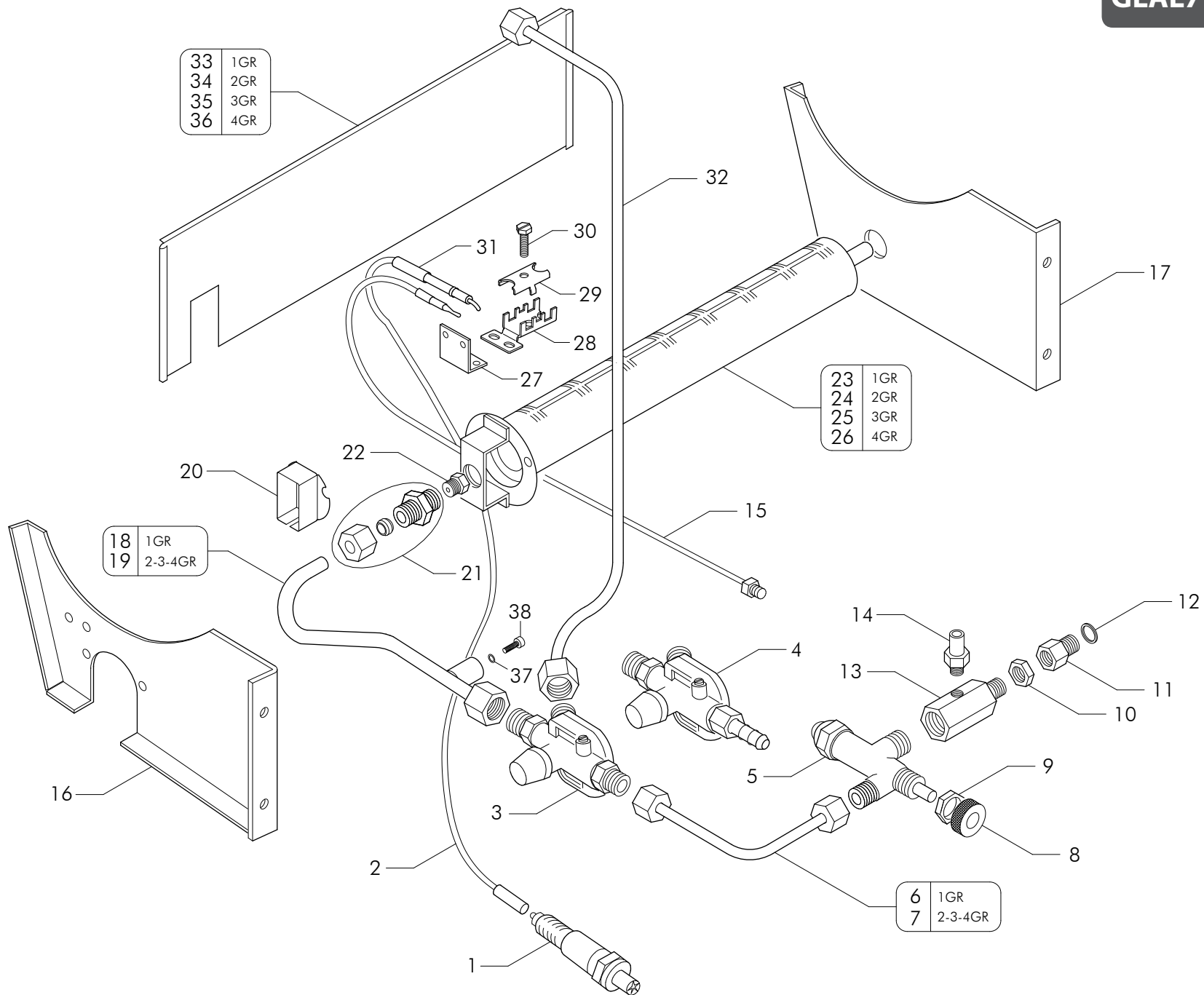
1-2-3-4GR

Pos	Code	Denominazione - IT -	Denomination - EN -	Denomination - FR -	Denomination - DE -
1	20150	PRESSOSTATO SECCO SIRAI 30A	DRY PRESSURE SWITCH SIRAI 30A	PRESSOSTAT SEC SIRAI 30A	TROCKENDRUCKWÄCHTER SIRAI 30A
2	20300015	TERMOSTATO 169°C	THERMOSTAT 169°C	THERMOSTAT 169°C	THERMOSTAT 169°C
3	22625	CAVO 1/2GR RL30/TIMEOUT CON LED	1/2 CABLE TIMEOUT UNIT WITH LED	CABLE 1/2 GR. RL30/TIMEOUT LED	KABEL 1/2GR. RL30/TIMEOUT MIT LED
4	22626	CAVO 3/4GR RL30/TIMEOUT CON LED	3/4 CABLE TIMEOUT UNIT WITH LED	CABLE 3/4 GR. RL30/TIMEOUT LED	KABEL 3/4GR. RL30/TIMEOUT MIT LED
5	18080001	REGOLATORE LIVELLO RL30 220/240V	LEVEL CONTROL RL30 220/240V	CONTROLE NIVEAU RL30 220/240V	WASSERNIVEAUREGLER RL30 220/240V
5	18081001	REGOLATORE LIVELLO RL30 120V	LEVEL CONTROL RL30 120V	CONTROLE NIVEAU RL30 120V	WASSERNIVEAUREGLER RL30 120V
6	77691005	SUPPORTO AEA RL30 INOX	AWR BEARING RL30 INOX	SUPPORT REA RL30 INOX	AWF HALTER RL30 INOX
7	227181	CABLAGGIO PROLUNGA LAMPADINA	WIRING FOR LAMP	CABLE PROLONGE LAMPE	VERDRAHTUNG LAMPE
7	22718101	CABLAGGIO PROLUNGA LAMPADINA UL	WIRING FOR LAMP UL	CABLE PROLONGE LAMPE UL	VERDRAHTUNG LAMPE UL
8	83210010R	KIT LAMPADA SPIA VERDE	GREEN INDICATOR LIGHT KIT	KIT AMPOULE TEMOIN VERT	KIT KONTROLLEUCHTE GRUN
9	22858	CABLAGGIO AEA 1-4GR	CABLE A.W.R. 1-4GR	CABLAGE R.E.A. 1-4GR	VERDRAHTUNG A.W.F.1-4GR
10	19122	PORTAFUSIBILE 6.3A 250V	FUSE HOLDER 6.3A 250V	PORTE-FUSIBLE 6.3A 250V	SICHERUNGSHALTER 6.3A 250V
11	19101	FUSIBILE 5x20 2A	FUSE OMEGA 5x20 2A	FUSIBLE OMEGA 5x20 2A	SCHMELZSICH.OMEGA 5x20 2A
12	18263	INTERRUTTORE BIP. NERO LED LUMIN.ROSSO	BIP. LUMIN. BLACK SWITCH	INTER.BIP.LUMIN. NOIR	ZWEIP.SCHALTER M. SCHWARZ LEUCHTE
13	19049	COPERTURA INTERRUTTORE	SWITCH COVER	PROTECTION INTERRUPTEUR	SCHALTER ABD.
14	15271	MANOPOLA INTERRUTTORE GENERALE	MAIN SWITCH HAND GRIP	MANETTE INTERR. GENERAL	HAUPTSCHALTERGRIFF
15	29067	ETICHETTA ADESIVA 1-0-2 NERO	ADHESIVE LABEL '1-0-2' BLACK	ETIQ. ADHES. 1-0-2' NOIR	KLEBEETIKETTE '1-0-2'SCHWARZ
15	29068	ETICHETTA ADESIVA '0-1' NERO PLASTICO 58x58	PLASTIC ADHESIVE PLATE 0-1 58X58	PLAQUETTE ADHESIVE 0-1 58X58	KLEBESCHILD 0-1 58x58
16	8318105R	KIT COMMUTATORE BREMAS A32	KIT COMMUTATOR BREMAS A32.12	KIT COMMUTATEUR BREMAS A32.12	KIT UMSCHALTER BREMAS A32.12
16	8318208R	KIT INTERRUTTORE BREMAS A32.04	KIT BREMAS SWITCH A32.04	KIT INTERRUPTEUR BREMAS A32.04	KIT BREMAS SCHALTER A32.04
16	8318207R	KIT INTERRUTTORE BREMAS A32.03	KIT BREMAS SWITCH A32.03	KIT INTERRUPTEUR BREMAS A32.03	KIT BREMAS SCHALTER A32.03
16	8318206R	KIT INTERRUTTORE BREMAS A32.02	KIT BREMAS SWITCH A32.02	KIT INTERRUPTEUR BREMAS A32.02	KIT BREMAS SCHALTER A32.02
16	8318205R	KIT INTERRUTTORE BREMAS A20.04	KIT BREMAS SWITCH A20.04	KIT INTERRUPTEUR BREMAS A20.04	KIT BREMAS SCHALTER A20.04
16	8318201R	KIT INTERRUTTORE BREMAS A20.03	KIT BREMAS SWITCH A20.02	KIT INTERRUPTEUR BREMAS A20.03	KIY BREMAS SCHALTER A20.03
16	8318200R	KIT INTERRUTTORE BREMAS A20.02	KIT BREMAS SWITCH A20.02	KIT INTERRUPTEUR BREMAS A20.02	KIT BREMAS SCHALTER A20.02
16	8318104R	KIT COMMUTATORE BREMAS A20	KIT COMMUTATOR BREMAS A20.12	KIT COMMUTATEUR BREMAS A20.12	KIT UMSCHLATER BREMAS A20.12



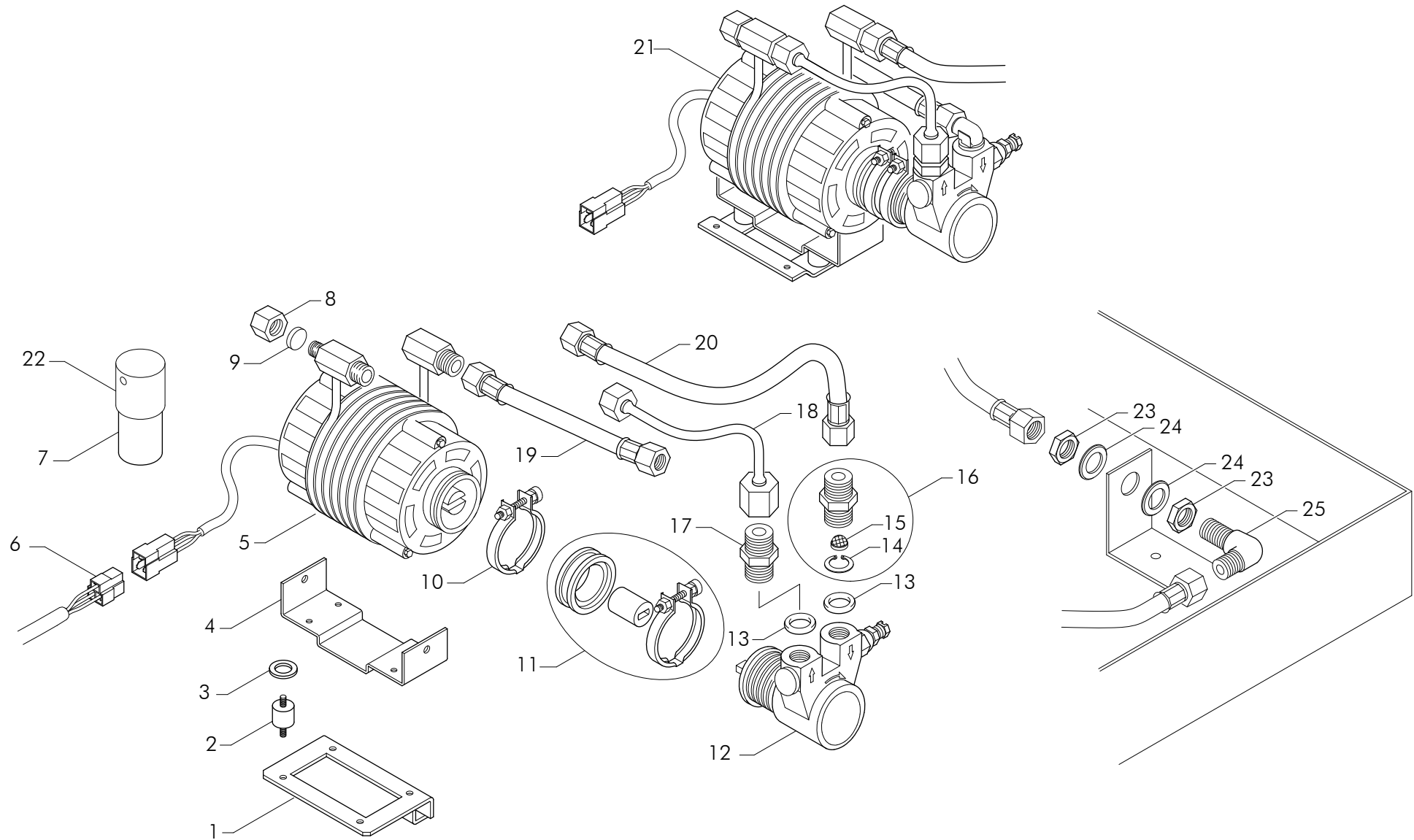
SCALDATAZZE - CUP HEATING - CHAUFFE TASSES - TASSENWARMER

Pos	Code	Denominazione - IT -	Denomination - EN -	Denomination - FR -	Denomination - DE -
1	17019003	RESISTENZA 1GR 230V 100W	HEATING ELEMENT 1GR 230V 100W	RESISTANCE 1GR 230V 100W	WIDERSTAND 1GR 230V 100W
1	17019004	RESISTENZA 1GR 120V 100W	HEATING ELEMENT 1GR 120V 100W	RESISTANCE 1GR 120V 100W	WIDERSTAND 1GR 120V 100W
2	17020	RESISTENZA 2GR 120V 200W	HEATING ELEMENT 2GR 120V 200W	RESISTANCE 2GR 120V 200W	WIDERSTAND 2GR 120V 200W
2	17022	RESISTENZA 2GR 230V 200W	HEATING ELEMENT 2GR 230V 200W	RESISTANCE 2GR 230V 200W	WIDERSTAND 2GR 230V 200W
3	17023	RESISTENZA 3GR 230V 250W	HEATING ELEMENT 3GR 230V 250W	RESISTANCE 3GR 230V 250W	WIDERSTAND 3GR 230V 250W
4	17024	RESISTENZA 4GR 230V 300W	HEATING ELEMENT 4GR 230V 300W	RESISTANCE 4GR 230V 300W	HEIZKORPER 4GR 230V 300W
5	227178	CABLAGGIO SDOPPIATORE USCITA	CABLE CONNECTION	CABLAGE JONCTION	VERDRAHTUNG VERBINDUNG
6	22723002	CABLAGGIO SCALDATAZZE ELETTRICO 2-4GR	ELECTR.CUP HEAT.WIRING 2-4GR	CABLE CHAUFFE-TASSES ELEC. 2-4GR	ELEKTR.VERKABELUNG TASSENWÄRMER 2-4GR
7	18260	INTERRUTTORE BIPOLARE LUMINOSO ROSSO	SWITCH LUMINOUS RED BIPOLAR	INTERRUPTEUR BIP. LUMINEUX ROUGE	ZWEIPOLIGER ROTER LEUCHTSCHALTER B418C1
8	19049	COPERTURA INTERRUTTORE	SWITCH COVER	PROTECTION INTERRUPTEUR	SCHALTER ABD.



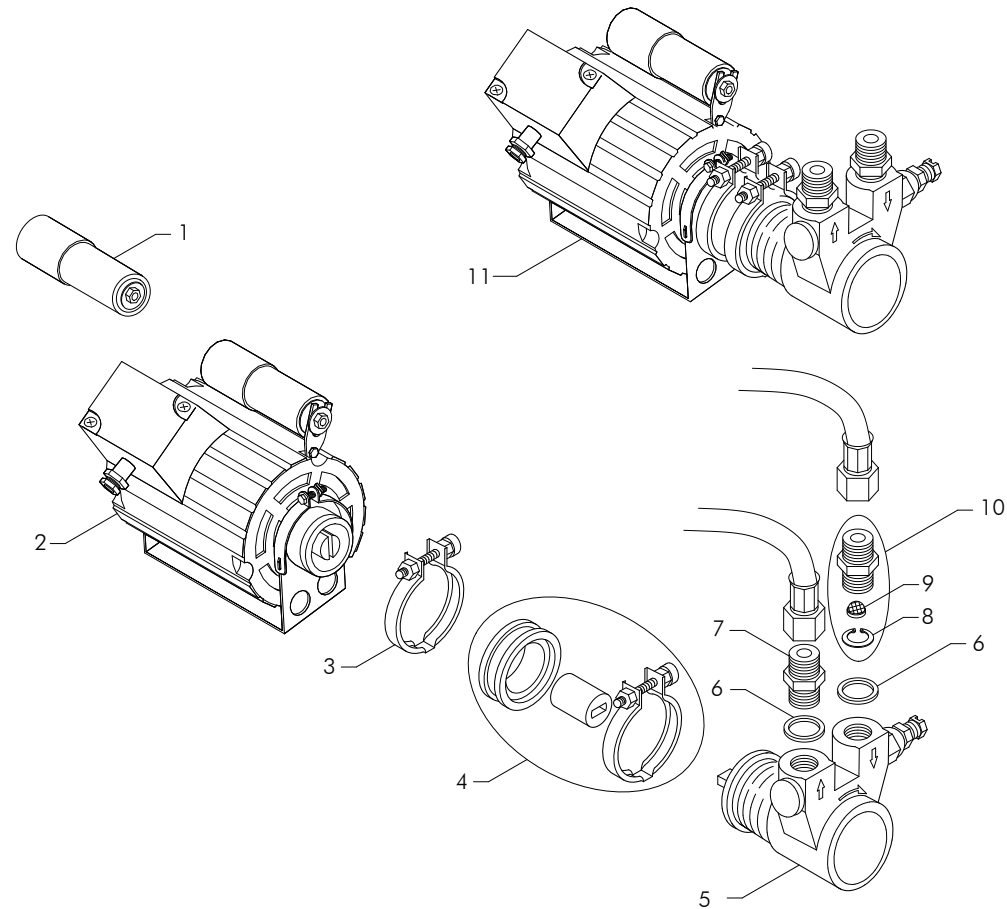
Pos	Code	Denominazione - IT -	Denomination - EN -	Denomination - FR -	Denomination - DE -
1	15010	BLOCCO+COL.AVN M22x1.5 SIT 0073952	GAS STARTER M22X1.5 SIT 0073952	BLOC ALLUMAGE GAZ	ZUNDUNGSPERRE GAS AVN M22x1.5
2	22002	CAVO AL GAS/SIT 0028511 PIEZ L800	GAS/SIT FEEDING CABLE 0028520 L800	CABLE ALIMENTATION GAZ SIT 0028520	GAS/SIT SPEISEKABEL 0028520 L800
3	51005	ASSIEME REGOLATORE GAS SICUREZZA	GAS REGULATOR	ENSEMBLE REGULATEUR GAZ	GASREGELUNGSSATZ
4	51003	ASSIEME REGOLATORE GAS NORMALE POLI	NORMAL GAS REGULATOR SET *POLES*	ENSEMBLE REGULATEUR GAZ NORMAL	GASREGELUNGSSATZ
5	20221	RUBINETTO SICUREZZA GAS SIT	GAS SECURITY VALVE SIT	ROBINET SURETE GAZ SIT	GASSICHERHEITSHAHN SIT
6	52001454	TUBO D-8 L.95	TUBE D-8 L.95	TUYAU D-8 L.95	ROHR D-8 L.95
7	52000222	TUBO D-8 L.130	TUBE D-8 L.135	TUYAU D-8 L.135	ROHR D-8 L.135
8	10350	GHIERA GAS SIT	GAS RING NUT SIT	EMBOUT POUR GAZ SIT	GASZWINGE SIT
9	23019	DADO M12x1 OTTONE	S.I.T. BRASS NUT M12X1	ECROU M12X1 LAITON POUR S.I.T.	MESSING SCHRAUBENMUTTER M12x1
10	25396	DADO 1/4 SP.4	NUT 1/4 - 4 THICK	ECROU 1/4 SP.4	MUTTER 1/4
11	25715010	RACCORDO DRITTO 1/4F 1/4M CONICO	CONNECTOR 1/4 F 1/4 M	RACCORD DROIT 1/4 F 1/4 M	ANSCHLUSS 1/4F 1/4M
12	12662004	GUARNIZIONE ALL.11x7x1.5	GASKET 11x7x1.5	JOINT 11x7x1.5	DICHTUNG 11x7x1.5
13	25621100	PROLUNGA RUBINETTO GAS	EXTENSION GAS	RALLONGE GAZ	VERLANGERUNGAS
14	25621005	PRESA DI PRESSIONE 1/8 GAS	CONNECTOR 1/8	RACCORD 1/8	ANSCHLUSS 1/8
15	18552	TERMOCOPPIA SIT 0290004 L600	THERMOCOUPLE SIT L=600	TIGE THERMOCOUPLE GAZ L=600	THERMOELEMENT SIT 02900040L600
16	780662	SUPPORTO SINISTRO GAS	LEFT SUPPORT FOR GAS	SUPPORT GAUCHE POUR GAZ	GESTELL GAS LINK
17	780661	SUPPORTO DESTRO GAS	RIGHT SUPPORT FOR GAS	SUPPORT DROIT POUR GAZ	GESTELL GAS RECHT
18	52001317	TUBO D-10 L.235	TUBE D-10 L.235	TUYAU D-10 L.235	ROHR D-10 L.235
19	52000223	TUBO D-10 L.215	TUBE D-10 L.215	TUYAU D-10 L.215	ROHR D-10 L.215
20	10660	REGOLATORE ARIA	AIR REGULATOR	REGULATEUR AIR	LUFTREGLER
21	23220	RACCORDO PORTAUGELLO	NOZZLE-BEARER CONNECTOR	RACCORD PORTE-GIGLEUR	FITTING FUR DUSETRAGER
22	10900	UGELLO EM 1.00N METANO	METHANE NOZZLE EM 1.00N	GICLEUR EM 1.00N METHANE	DUSE EM 1.00N METHAN
22	10901	UGELLO EM 0.60N GPL	GPL NOZZLE EM 0.60N	GICLEUR EM 0.60N G P L	DUSE EM 0.60N G P L
22	10903	UGELLO EM 1.10N METANO	METHANE NOZZLE EM 1.10N	GICLEUR EM 1.10N METHANE	DUSE EM 1.10N METHAN
22	10904	UGELLO EM 0.65N GPL	GPL NOZZLE EM 0.65N	GICLEUR EM 0.65N GPL	DUSE EM 0.65N GPL
22	10906	UGELLO EM 1.35N METANO	METHANE NOZZLE EM 1.35N	GICLEUR EM 1.35N METHANE	DUSE EM 1.35N METHAN
22	10907	UGELLO EM 0.80N GPL	GPL NOZZLE EM 0.80N	GICLEUR EM 0.80N G P L	DUSE EM 0.80N G P L
22	10909	UGELLO EM 1.45N METANO	METHANE NOZZLE EM 1.45N	GICLEUR EM 1.45N METHANE	DUSE EM 1.45N METHAN
22	10910	UGELLO EM 0.85N GPL	GPL NOZZLE EM 0.85N	GICLEUR EM 0.85N G P L	DUSE EM 0.85N G P L
23	30010	BRUCIATORE 1GR 305/12 POLI	1 GROUP BURNER 305/12 POLES	BRULEUR 1GR 305/12 POLES	BRENNER 1GR 305/12 POLEN
24	30011	BRUCIATORE 2GR 306/12 POLI	2 GROUPS BURNER 306/12 POLES	BRULEUR 2GR 306/12 POLES	BRENNER 2GR 06/12 POLEN
25	30012	BRUCIATORE 3GR 307/12 POLI	3-4 GROUPS BURNER 307/12 POLES	BRULEUR 3-4GR 307/12 POLES	BRENNER 3-4GR 307/12 POLEN
26	30013	BRUCIATORE 4GR 102.0211.00 POLI	4GR BURNER 102.0211.00 POLES	BRULEUR 4GR 102.0211.00 POLES	BRENNER 4GR 102.0211.00 POLEN
27	780663	SUPPORTO TERMOCOPPIA GAS 20/10	SUPPORT FOR THERMOCOUPLE GAS	SUPPORT POUR THERMOCOUPLE GAZ	GESTELL THERMOELEMENT
28	10751	SUPPORTO TERMOCOPPIA SIT 0978021	THERMOCOUPLE SIT STAND 0978021	SUPPORT THERMOCOUPLE SIT 0978021	THERMOELEMENT HALTER SIT 0978021
29	10750	SUPPORTO TERMOCOPPIA SIT 0978009	THERMOCOUPLE SIT STAND 0978009	SUPPORT THERMOCOUPLE SIT 0978009	THERMOELEMENT HALTER SIT 0978009

Pos	Code	Denominazione - IT -	Denomination - EN -	Denomination - FR -	Denomination - DE -
30	23410	VITE TE UNI 3/16x18	SCREW TE 3/16X18	VIS TE 3/16X18	SCHRAUBE TE UNI 3/16x18
31	20030	CANDELA M 4 PILOTA 0100 0915036	PILOT SPARK PLUG M4 0100 GAS	BOUGIE M 4 PILOTE	KERZE M 4 0100 SIC/GAS
32	52000346	TUBO D-6 L.390	TUBE D-6 L.390	TUYAU D-6 L.390	ROHR D-6 L.390
33	77421002	COPRICALDAIA 1GR	BOILER COVER 1GR	COUVRE-CHAUDIERE 1GR	KESSELDECKEL 1GR
34	77422002	COPRICALDAIA 2GR	BOILER COVER 2GR	COUVRE-CHAUDIERE 2GR	KESSELDECKEL 2GR
35	77423002	COPRICALDAIA 3GR	BOILER COVER 3GR	COUVRE-CHAUDIERE 3GR	KESSELDECKEL 3GR
36	77424002	COPRICALDAIA 4GR	BOILER COVER 4GR	COUVRE-CHAUDIERE 4GR	KESSELDECKEL 4GR
37	12155001	GUARNIZIONE CU 8.5x3.3x1	COPPER GASKET 8.5X3.3X1	JOINT CU 8.5X3.3X1	CU DICHTUNG 8.5x3.3x1
38	23564000	VITE TCEI INOX M3x8	STEEL SCREW TCEI M3x8	VIS INOX TCEI M3x8	VITE TCEI INOX M3x8



INCORPORATA - BUILT-IN - INCORPORÉ - EINGEBAUTE

Pos	Code	Denominazione - IT -	Denomination - EN -	Denomination - FR -	Denomination - DE -
1	78167	SUPPORTO MOTOPOMPA	MOTORPUMP BEARING	SUPPORT MOTEURPOMPE	MOTORPUMPE-HALTER
2	15105	GOMMA AMMORTIZZATORE	RUBBER FOR MOTOR	CAOUTCHOUC POUR MOTEUR	GUMMI x MOTOR
3	23265	RONDELLA 4x12	WASHER 4x12	RONDELLE 4x12	SCHEIBE 4x12
4	78174	SUPPORTO MOTORE	MOTOR SUPPORT	SUPPORT MOTEUR	EINGEBAUTER MOTORHALTER
5	4656406	MOTORE RPM CW510L 230V-50/60Hz	MOTOR RPM 230-50/60Hz CW510L	MOTEUR RPM 230- 50/60HZ CW510L	MOTOR RPM 230-50/60Hz CW510L
5	4656407	MOTORE RPM 120V 60Hz R.H2O	MOTOR RPM CW510L	MOTOR RPM CW510L	MOTOR RPM CW510L
6	227173	CABLAGGIO MOTORE	MOTOR CABLE	CABLAGE MOTEUR	MOTOR VERSKABELUNG
7	19062001	CONDENSATORE MOTORE 230V 7uF	MOTOR CAPACITOR 230V 7uF	CONDENSATEUR MOTEUR 230V 7uF	KONDENSATOR MOTOR 230V 7uF
8	25782	TAPPO FEMMINA 1/4 GAS	1/4 GAS FEMALE TAP	BOUCHON FEMELLE 1/4 GAZ	INNENANSCHLUSSSTOPSEL 1/4 GAS
9	12007	GUARNIZIONE KLINGERSIL4400	KLINGERSIL4400 SEAL	JOINT KLINGERSIL4400	DICHTUNG KLINGER SIL4400
10	26310003	FASCETTA GIUNZIONE MOTORE-POMPA	CLAMP MOTOR-PUMP	BANDE MOTEUR-POMPE	SHELLE MOTOR-PUMPE
11	83260016R	KIT DISACCOPIAMENTO MOTORE POMPA	KIT DECOUPLING MOTOR-PUMP	ENSEMBLE DECOUPLAGE MOTEUR POMPE	KIT MOTOR-PUMPE KUPPLUNG
12	4626303	POMPA FLUID-O-TECH 204	PUMP FLUYD 204	POMPE 204	PUMPE 204
12	4626303001	POMPA FLUID-O-TECH 104	PUMP FLUYD 104	POMPE 104	PUMPE 104
13	12101	GUARNIZIONE RAME 3/8 22x17x3	GASKET COPPER 3/8 22x17x3	JOINT CUIVRE 3/8 22x17x3	KUPFERDICHTUNG 3/8 22x17x3
14	10005	ANELLO DI ARRESTO INOX	STAINLESS STEEL STOP RING	ANNEAU DE BUTEE INOX	DRAHTSPRENGRING ROSTFREI
15	10254	FILTRO ACCIAIO 160-200 MESH	STEEL FILTER 160-200 MESH	FILTRE EN ACIER 160-200 MESH	STAHLFILTER 160-200 MESH
16	4956116	RACCORDO 3/8+3/8	CONNECTOR 3/8+3/8 PUMP ASSEMBLY	RACCORD 3/8 + 3/8 ENS. MOTOPOMPE	ANSCHLUSS 3/8 + 3/8 MOTORP. ZUSAMMEN
17	4925687	RACCORDO 3/8x3/8	3/8x3/8 FITTING	RACCORD 3/8x3/8	ANSCHLUSS 3/8x3/8
18	52002814	TUBO D-6 L.200	TUBE D-6 L.200	TUYAU D-6 L.200	ROHR D-6 L.200
19	4630404	TUBOFLEX 3/8 L.45	FLEX PIPE 3/8 L.45	TUYAU FLEX 3/8 L.45	SCHLAUCH 3/8 L.45
20	4630408	TUBOFLEX 3/8FF L.150	FLEX PIPE 3/8 L.150	TUYAU FLEX 3/8 FF L.150	SCHLAUCH 3/8 L.150
21	56123008	ASSIEME MOTORE 120V + POMPA	UNIT MOTOR 120V + PUMP	ENSEMBLE MOTEUR 120V + POMPE	SATZ MOTOR 120V + PUMPE
21	56123009	ASSIEME MOTORE 230V + POMPA	UNIT MOTOR 230V + PUMP	ENSEMBLE MOTEUR 230V + POMPE	SATZ MOTOR 230V + PUMPE
22	15200002	CAPPUCCIO PER CONDENSATORE	CAPACITOR CAP	HOTTE CONDENSATEUR	HOOD KONDENSATOR
23	25356	CONTRODADO OTTONE 3/8	BRASS LOCK NUT 3/8	CONTRE-ECROU LAITON 3/8	MESSING-GEGENMUTTER 3/8
24	25651	RONDELLA OTTONE 3/8	BRASS WASHER 3/8	RONDELLE LAITON 3/8	MESSINGSCHLEIBE 3/8
25	43067	RACCORDO "L" 3/8 GASx3/8 GAS L.30	3/8 GAS X 3/8 GAS L FITTING L.30	RACCORD L 3/8 GAZx3/8 GAZ L.30	ANSCHLUSS L 3/8 GAS x 3/8 GAS L. 30



ESTERNA - EXTERNAL - EXTÉRIEUR - AUSSENANSICHT

Pos	Code	Denominazione - IT -	Denomination - EN -	Denomination - FR -	Denomination - DE -
1	19050	CONDENSATORE MOTORE 220V 10mF	MOTOR CAPACITOR 220V 10mF	CONDENSATEUR MOTEUR 220V 10mF	MOTORKONDENSATOR 220V 10mF
1	19064	CONDENSATORE MOTORE 230V 6uF	MOTOR CAPACITOR 230V 6uF	CONDENSATEUR MOTEUR 230V 6uF	KONDENSATOR MOTOR 230V 6uF
2	18302	MOTORE RPM 230/50-60	MOTOR RPM 230/V 50-60Hz	MOTEUR RPM 230/50-60	MOTOR RPM 230/50
2	18307	MOTORE RPM 120V UL	MOTOR RPM 120V UL	MOTEUR RPM 120V UL	MOTOR RPM 120V
2	18308001	MOTORE RPM 240V/50-60Hz 262W	MOTOR RPM 240V/50-60Hz 262W	MOTEUR RMP 240V/50-60Hz 262W	MOTOR RPM 240/50-60Hz 262W
3	26310003	FASCETTA GIUNZIONE MOTORE-POMPA	CLAMP MOTOR-PUMP	BANDE MOTEUR-POMPE	SHELLE MOTOR-PUMPE
4	83260016R	KIT DISACCOPPIAMENTO MOTORE POMPA	KIT DECOUPLING MOTOR-PUMP	ENSEMBLE DECOUPLAGE MOTEUR POMPE	KIT MOTOR-PUMPE KUPPLUNG
5	4626303	POMPA FLUID-O-TECH 204	PUMP FLUYD 204	POMPE 204	PUMPE 204
5	4626303001	POMPA FLUID-O-TECH 104	PUMP FLUYD 104	POMPE 104	PUMPE 104
6	12154	GUARNIZIONE CU 3/8 22x17x1.5	GASKET COPPER 3/8 22x17x1,5	JOINT CUIVRE 3/8 22x17x1.5	KUPFERDICHTUNG 3/8 22x17x1.5
7	4925687	RACCORDO 3/8x3/8	3/8x3/8 FITTING	RACCORD 3/8x3/8	ANSCHLUSS 3/8x3/8
8	10005	ANELLO DI ARRESTO INOX	STAINLESS STEEL STOP RING	ANNEAU DE BUTEE INOX	DRAHTSPRENGRING ROSTFREI
9	10254	FILTRO ACCIAIO 160-200 MESH	STEEL FILTER 160-200 MESH	FILTRE EN ACIER 160-200 MESH	STAHLFILTER 160-200 MESH
10	4956116	RACCORDO 3/8+3/8	CONNECTOR 3/8+3/8 PUMP ASSEMBLY	RACCORD 3/8 + 3/8 ENS. MOTOPOMPE	ANSCHLUSS 3/8 + 3/8 MOTORP. ZUSAMMEN
11	83560035R	KIT MOTOPOMPA 230V	KIT MOTOR-PUMP 230V	ENSEMBLE MOTEUR-POMPE 230V	KIT MOTOR-PUMPE 230V