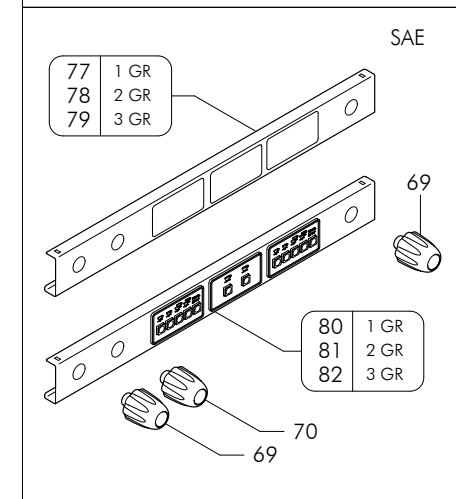
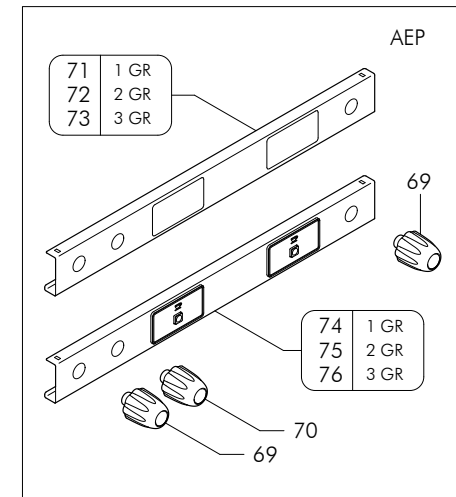
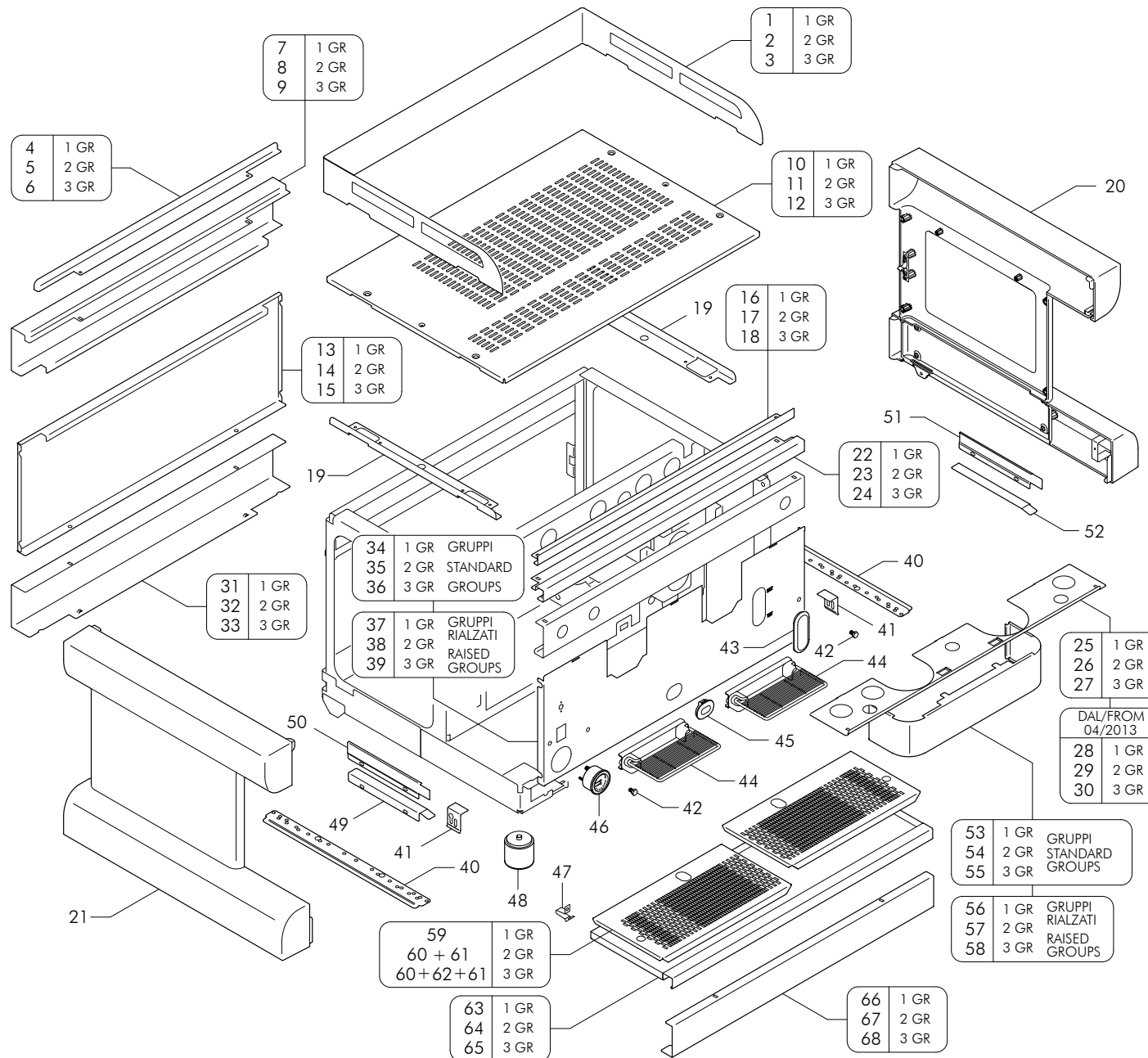


Code	Description	Page	Rev.	Date
	Carrozzeria - Body parts - Carrosserie - Karosserie			
PACC-01	Nero/Inox - Black/S.Steel - Noir/Inox - Schwarz/Stahl	2	02	12/2015
PACC-02	Rosso/Inox - Red/S.Steel - Rouge/Inox - Rot/Stahl	6	02	12/2015
PACC-03	Bianco/Inox - White/S.Steel - Blanc/Inox - Weiss/Stahl	10	02	12/2015
PACC-11	Pulsantiera - Push buttons - Claviers - Bedienblenden	14	00	11/2013
	Lancia - Tube - Tuyau - Rohr			
PACC-21	Vapore - Steam - Vapeur - Dampf	16	00	11/2013
PACC-22	Acqua - Water - Eau - Wasser	18	00	11/2013
PACC-31	Gruppo - Group - Groupe - Gruppe	20	03	10/2019
	Caldaia - Boiler - Chaudiere - Kessel			
PACC-41	1GR	22	02	12/2015
PACC-42	2GR	24	02	12/2015
PACC-43	3GR	26	02	12/2015
	Impianti idraulici - Hydraulic circuits - Circuits hydrauliques - Wasser anlage			
PACC-51	AEP 1GR	28	01	12/2015
PACC-52	AEP 2GR	30	01	12/2015
PACC-53	AEP 3GR	33	01	12/2015
PACC-54	SAE 1GR	36	01	12/2015
PACC-55	SAE 2GR	39	01	12/2015
PACC-56	SAE 3GR	42	01	12/2015
	Impianti elettrici - Electrical systems - Circuits electriques - Strom anlage			
PACC-61	AEP	45	01	12/2015
PACC-62	SAE	47	01	12/2015
PACC-63	Scald tazze e Led - Cup heating & Led - Chauffe tasses et Led - Tassenwarmer und Led	49	02	12/2015
	Motopompa - Motor pump - Motopompe - Motor pump			
PACC-81	Incorporata 1-2GR - Built-in 1-2GR - Incorporé 1-2GR - Eingebaute 1-2GR	51	01	12/2015
PACC-82	Incorporata 3GR - Built-in 3GR - Incorporé 3GR - Eingebaute 3GR	53	01	12/2015



Think espresso.



NERO/INOX - BLACK/S.STEEL - NOIR/INOX - SCHWARZ/STAHL

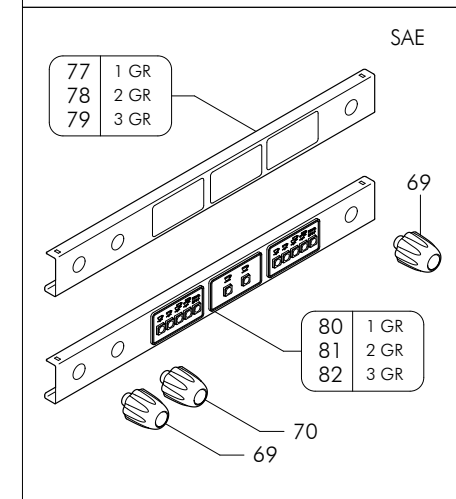
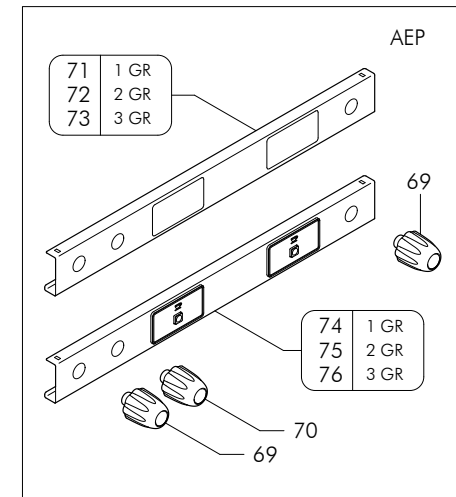
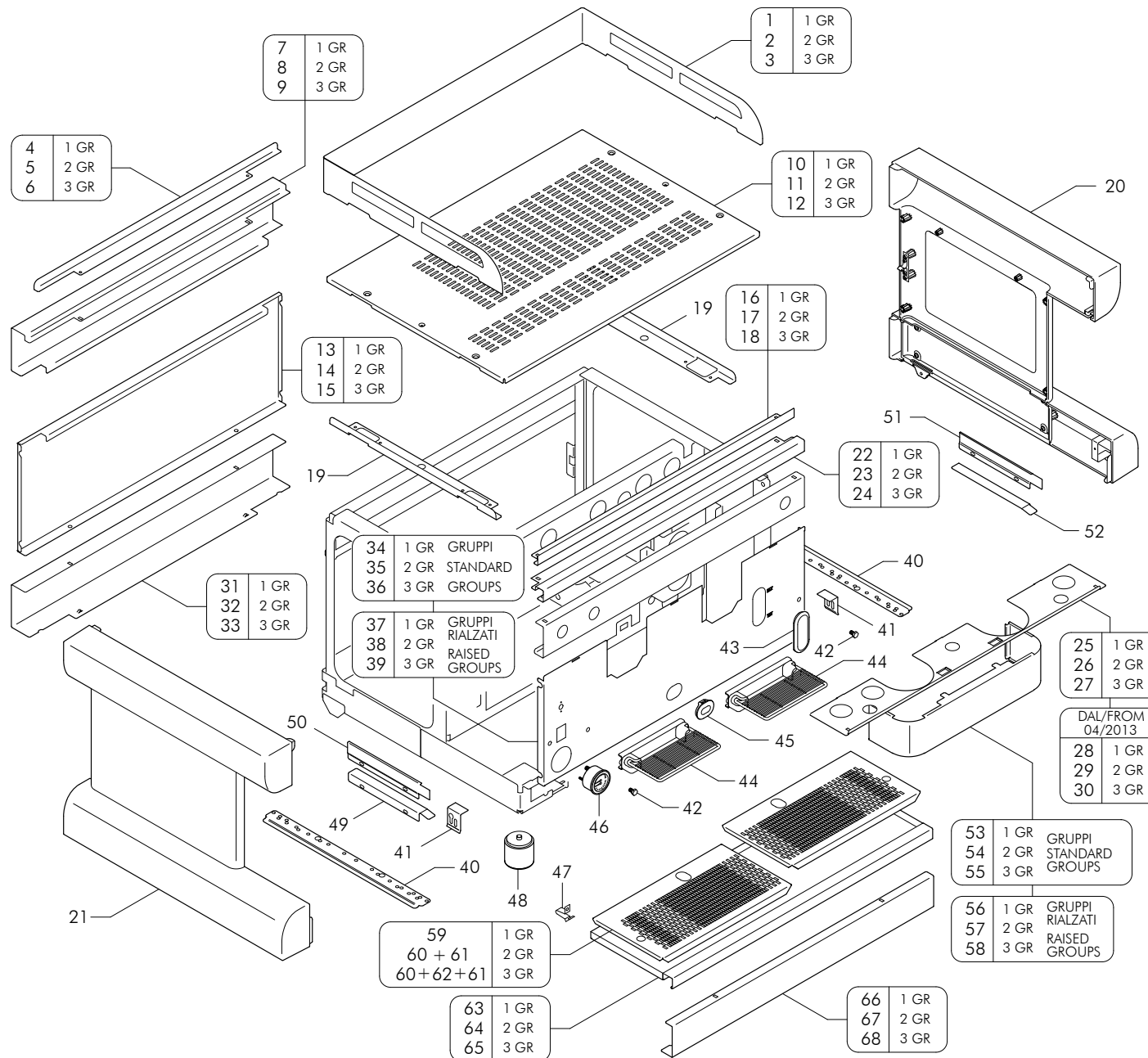
Pos	Code	Denominazione - IT -	Denomination - EN -	Denomination - FR -	Denomination - DE -
1	21162087	PLEXIGLASS 1GR	PLEXIGLASS 1GR	PLEXIGLASS 1GR	PLEXIGLASS 1GR
2	21162088	PLEXIGLASS 2GR	PLEXIGLASS 2GR	PLEXIGLASS 2GR	PLEXIGLASS 2GR
3	21162089	PLEXIGLASS 3GR	PLEXIGLASS 3GR	PLEXIGLASS 3GR	PLEXIGLASS 3GR
4	77169107	PROFILO SUPERIORE POST. 1GR	BACK TOP SURROUND 1GR	PROFILS POST.SUP. 1GR	PROFIL OBEN HINTEN 1GR
5	77169108	PROFILO SUPERIORE POST. 2GR	BACK TOP SURROUND 2GR	PROFILS POST.SUP. 2GR	PROFIL OBEN HINTEN 2GR
6	77169109	PROFILO SUPERIORE POST. 3GR	BACK TOP SURROUND 3GR	PROFILS POST.SUP. 3GR	PROFIL OBEN HINTEN 3GR
7	75288691	PANNELLO POSTERIORE SUP.1GR NERO	BACK TOP PANEL 1GR BLACK	PANNEAU POST.SUP. 1GR NOIR	TAFEL AUFBAU HINTEN OBEN 1GR SCHWARZ
8	75288693	PANNELLO POSTERIORE SUP. 2GR NERO	BACK TOP PANEL 2GR BLACK	PANNEAU POST.SUP. 2GR NOIR	TAFEL AUFBAU HINTEN OBEN 2GR SCHWARZ
9	75288695	PANNELLO POSTERIORE SUP. 3GR NERO	BACK TOP PANEL 3GR BLACK	PANNEAU POST.SUP. 3GR NOIR	TAFEL AUFBAU HINTEN OBEN 3GR SCHWARZ
10	76100148	GRIGLIA SUPERIORE 1GR INOX	TOP GRATE 1GR S.STEEL	GRILLE SUP. 1GR INOX	OBERGITTER 1GR STAHL
11	76100149	GRIGLIA SUPERIORE 2GR INOX	TOP GRATE 2GR S.STEEL	GRILLE SUP. 2GR INOX	OBERGITTER 2GR STAHL
12	76100150	GRIGLIA SUPERIORE 3GR INOX	TOP GRATE 3GR S.STEEL	GRILLE SUP. 3GR INOX	OBERGITTER 3GR STAHL
13	75288687	PANNELLO POSTERIORE CENTR.1GR INOX	BACK CENTRAL PANEL 1GR S.STEEL	PANNEAU CENTRAL 1GR INOX	HINTERE MITTLERE TAFEL 1GR STAHL
14	75288688	PANNELLO POSTERIORE CENTR.2GR INOX	BACK CENTRAL PANEL 2GR S.STEEL	PANNEAU CENTRAL 2GR INOX	HINTERE MITTLERE TAFEL 2GR STAHL
15	75288689	PANNELLO POSTERIORE CENTR.3GR INOX	BACK CENTRAL PANEL 3GR S.STEEL	PANNEAU CENTRAL 3GR INOX	HINTERE MITTLERE TAFEL 3GR STAHL
16	77169111	PROFILO 1GR INOX	SURROUND 1GR S.STEEL	PROFILS 1GR INOX	PROFIL 1GR STAHL
17	77169112	PROFILO 2GR INOX	SURROUND 2GR S.STEEL	PROFILS 2GR INOX	PROFIL 2GR STAHL
18	77169113	PROFILO 3GR INOX	SURROUND 3GR S.STEEL	PROFILS 3GR INOX	PROFIL 3GR STAHL
19	77169110	PROFILO DESTRO-SINISTRO INOX	SURROUND RIGHT-LEFT S.STEEL	PROFILS DROIT-GAUCHE INOX	PROFIL RECHT-LINKE STAHL
20	56910380	FIANCO DESTRO NERO	RIGHT SIDE BLACK	COTE DROIT NOIR	RECHTE SEITE SCHWARZ
21	56910381	FIANCO SINISTRO NERO	LEFT SIDE BLACK	COTE GAUCHE NOIR	LINKS SEITE SCHWARZ
22	77169104	PROFILO SUPERIORE ANT. 1GR INOX	FRONT SURROUND TOP 1GR S.STEEL	PROFILS SUP.ANT. 1GR INOX	PROFIL OBEN 1GR STAHL
23	77169105	PROFILO SUPERIORE ANT. 2GR INOX	FRONT SURROUND TOP 2GR S.STEEL	PROFILS SUP.ANT. 2GR INOX	PROFIL OBEN 2GR STAHL
24	77169106	PROFILO SUPERIORE ANT. 3GR INOX	FRONT SURROUND TOP 3GR S.STEEL	PROFILS SUP.ANT. 3GR INOX	PROFIL OBEN 3GR STAHL
25	77691847	COPRIMPIANTO 1GR CON LED	CABLE-COVER 1GR WITH LED	COUVRE-CABLEGE 1GR AVEC LED	VERDRAHTUNHDECKEL 1GR MIT LED
25	77691850	COPRIMPIANTO 1GR	CABLE-COVER 1GR	COUVRE-CABLAGE 1GR	VERDRAHTUNHDECKEL 1GR
26	77691848	COPRIMPIANTO 2GR CON LED	CABLE-COVER 2GR WITH LED	COUVRE-CABLAGE 2GR AVEC LED	VERDRAHTUNHDECKEL 2GR MIT LED
26	77691851	COPRIMPIANTO 2GR	CABLE-COVER 2GR	COUVRE-CABLAGE 2GR	VERDRAHTUNHDECKEL 2GR
27	77691849	COPRIMPIANTO 3GR CON LED	CABLE-COVER 3GR WITH LED	COUVRE-CABLAGE 3GR AVEC LED	VERDRAHTUNHDECKEL 3GR MIT LED
27	77691852	COPRIMPIANTO 3GR	CABLE-COVER 3GR	COUVRE-CABLAGE 3GR	VERDRAHTUNHDECKEL 3GR
28	77691841	COPRIMPIANTO 1GR CON LED	CABLE-COVER 1GR WITH LED	COUVRE-CABLEGE 1GR AVEC LED	VERDRAHTUNHDECKEL 1GR MIT LED
28	77691844	COPRIMPIANTO 1GR	CABLE-COVER 1GR	COUVRE-CABLAGE 1GR	VERDRAHTUNHDECKEL 1GR
29	77691842	COPRIMPIANTO 2GR CON LED	CABLE-COVER 2GR WITH LED	COUVRE-CABLAGE 2GR AVEC LED	VERDRAHTUNHDECKEL 2GR MIT LED
29	77691845	COPRIMPIANTO 2GR	CABLE-COVER 2GR	COUVRE-CABLAGE 2GR	VERDRAHTUNHDECKEL 2GR
30	77691843	COPRIMPIANTO 3GR CON LED	CABLE-COVER 3GR WITH LED	COUVRE-CABLAGE 3GR AVEC LED	VERDRAHTUNHDECKEL 3GR MIT LED
30	77691846	COPRIMPIANTO 3GR	CABLE-COVER 3GR	COUVRE-CABLAGE 3GR	VERDRAHTUNHDECKEL 3GR

NERO/INOX - BLACK/S.STEEL - NOIR/INOX - SCHWARZ/STAHL

Pos	Code	Denominazione - IT -	Denomination - EN -	Denomination - FR -	Denomination - DE -
31	77453898	PROFILO BASAMENTO POST.1GR NERO	REAR BASE SECTION 1GR BLACK	PROFIL BASE POST. 1GR NOIR	HINTER-GRUNDPROFIL 1GR SCHWARZ
32	77453899	PROFILO BASAMENTO POST.2GR NERO	REAR BASE SECTION 2GR BLACK	PROFIL BASE POST. 2GR NOIR	HINTER-GRUNDPROFIL 2GR SCHWARZ
33	77453900	PROFILO BASAMENTO POST.3GR NERO	REAR BASE SECTION 3GR BLACK	PROFIL BASE POST. 3GR NOIR	HINTER-GRUNDPROFIL 3GR SCHWARZ
34	77849051	COPRICALDAIA 1GR CTS INOX	BOILER COVER 1GR CTS S.STEEL	COUVRE-CHAUDIERE 1GR CTS INOX	KESSELDECKEL 1GR CTS STAHL
35	77849052	COPRICALDAIA 2GR CTS INOX	BOILER COVER 2GR CTS S.STEEL	COUVRE-CHAUDIERE 2GR CTS INOX	KESSELDECKEL 2GR CTS STAHL
36	77849053	COPRICALDAIA 3GR CTS INOX	BOILER COVER 3GR CTS S.STEEL	COUVRE-CHAUDIERE 3GR CTS INOX	KESSELDECKEL 3GR CTS STAHL
37	77849054	COPRICALDAIA 1GR GR.RI. CTS INOX	BOILER COVER 1GR RA.GR. CTS S.STEEL	COUVRE-CHAUDIERE 1GR GR.RE. CTS INOX	KESSELDECKEL 1GR ER.GR. CTS STAHL
38	77849055	COPRICALDAIA 2GR GR.RI. CTS INOX	BOILER COVER 2GR RA.GR. CTS S.STEEL	COUVRE-CHAUDIERE 2GR GR.RE. CTS INOX	KESSELDECKEL 2GR ER.GR. CTS STAHL
39	77849056	COPRICALDAIA 3GR GR.RI. CTS INOX	BOILER COVER 3GR RA.GR. CTS S.STEEL	COUVRE-CHAUDIERE 3GR GR.RE. CTS INOX	KESSELDECKEL 3GR ER.GR. CTS STAHL
40	77607020	SUPPORTO DESTRO-SINISTRO FIANCO	RIGHT-LEFT SUPPORT	SUPPORT DROIT-GAUCHE	RECHTS/LINKS HALTER
41	77692016	PIASTRINA FISSAGGIO FIANCO	FIXING PLATE	PLAQUE DE FIXATION	BEFESTIGUNGSPLATTE
42	23420001	VITE TE BOMBATA M6x12 OT/Ni	M6x12NICKEL-PLATED BRASS HEX.HEAD SCREW	VIS TH LAITON M6x12 NICKEL	SECHSKANTSCHRAUBE AUS MESSING M6x12
43	21202	SEGNALIVELLO	LEVEL INDICATOR	SIGNAL NIVEAU	FARBLOSER NIVEAUANZEIGER
44	76149093	GRIGLIA RIALZO TAZZE FILO SALDATO	CUPS-STAND FOR RAISED GROUP	GRILLE POUR GROUPES REHAISSES	GITTER FUER HOHE GRUPPE
45	15373070	TAPPO ABS CROMATO FORO GAS	CHROMED CAP	BOUCHON CHROME COUVRE-TROU DU GAZ	CHROM CAP
46	21112	MANOMETRO TONDO DOPPIA SCALA	PRESSURE GAUGE	MANOMETRE	MANOMETER
47	10471	MOLLA FERMA BACINELLA	TRAY STOP SPRING	RESSORT ARRET BAC	FEDER F. BECKENBEFESTIGUNG
48	15318002	PIEDINO REGOLABILE INOX/SAT H55/69 D-58	ADJUSTABLE FOOT	PIED REGLABLE	REGELBARER FUSS
49	77742025	GUIDA BACINELLA SINISTRA	LEFT TRAY GUIDE	GUIDEE GAUCHE BAC POUR CHASSIS	SCHIENE LINKS BECKEN RAHMEN
50	77742006	GUIDA SINISTRA TELAIO BACINELLA	LEFT TRAY GUIDE	GUIDEE GAUCHE BAC POUR CHASSIS	SCHIENE LINKS BECKEN RAHMEN
51	77742002	GUIDA DESTRA TELAIO BACINELLA	RIGHT TRAY GUIDE	GUIDEE DROITE BAC POUR CHASSIS	SCHIENE RECHTS BECKEN RAHMEN
52	77742024	GUIDA BACINELLA DESTRA	RIGHT TRAY GUIDE	GUIDEE DROITE BAC POUR CHASSIS	SCHIENE RECHTS BECKEN RAHMEN
53	77691853	PROTEZIONE GRUPPO 1GR	PROTECTION GROUP 1GR	PROTECTION GROUPE 1GR	GRUPPEN SCHUTZ 1GR
54	77691854	PROTEZIONE GRUPPI 2GR	PROTECTION GROUP 2GR	PROTECTION GROUPE 2GR	GRUPPEN SCHUTZ 2GR
55	77691855	PROTEZIONE GRUPPI 3GR	PROTECTION GROUP 3GR	PROTECTION GROUPE 3GR	GRUPPEN SCHUTZ 3GR
56	77691856	PROTEZIONE GRUPPO 1GR ALTO	PROTECTION RAISED GROUP 1GR	PROTECTION GROUPES REHAUSSES 1GR	ERHOEHTE GRUPPEN SCHUTZ 1GR
57	77691857	PROTEZIONE GRUPPI 2GR ALTI	PROTECTION RAISED GROUPS 2GR	PROTECTION GROUPES REHAUSSES 2GR	ERHOEHTE GRUPPEN SCHUTZ 2GR
58	77691858	PROTEZIONE GRUPPI 3GR ALTI	PROTECTION RAISED GROUPS 3GR	PROTECTION GROUPES REHAUSSES 3GR	ERHOEHTE GRUPPEN SCHUTZ 3GR
59	76153000	GRIGLIA INFERIORE INOX LUC.456x201	LOWER GRILL 456x201 SHINY S.STEEL	GRILLE INF.INOX 456x201	STAHL-UNTERGITTER 456x201
60	76154000	GRIGLIA INF.DESTRA INOX LUC.338.5x201	RIGHT LOWER GRILL -SHINY S.STEEL	GRILLE INF.DROIT INOX 338,5x201	STAHL-UNTER-RECHTEGITTER 338,5x201
61	76155000	GRIGLIA INF.SINISTRA INOX LUC.338.5x201	LEFT LOWER GRILL - SHINY S.STEEL	GRILLE INF.GAUCHE INOX 338,5x201	STAHL-UNTER-LINKEGITTER 338,5x201
62	76156000	GRIGLIA INFERIORE INOX LUC.	LOWER GRILL - SHINY S.STEEL	GRILLE INF.INOX	STAHL-UNTERGITTER
63	76098123	BACINELLA 1GR INOX	TRAY 1GR S.STEEL	BASSINELLE 1GR INOX	STAHLSCHALE 1GR
64	76098124	BACINELLA 2GR INOX	TRAY 2GR S.STEEL	BASSINELLE 2GR INOX	STAHLSCHALE 2GR
65	76098125	BACINELLA 3GR INOX	TRAY 3GR S.STEEL	BASSINELLE 3GR INOX	STAHLSCHALE 3GR
66	77453895	PROFILO BASAMENTO ANT.1GR NERO	BASE SURROUND 1GR BLACK	PROFILS BASE 1GR NOIR	GRUNDPROFIL 1GR SCHWARZ
67	77453896	PROFILO BASAMENTO ANT.2GR NERO	BASE SURROUND 2GR BLACK	PROFILS BASE 2GR NOIR	GRUNDPROFIL 2GR SCHWARZ
68	77453897	PROFILO BASAMENTO ANT.3GR NERO	BASE SURROUND 3GR BLACK	PROFILS BASE 3GR NOIR	GRUNDPROFIL 3GR SCHWARZ
69	83150028R	KIT MANOPOLA VAPORE	STEAM TAP KNOB	POIGNEE ROBINET VAPEUR	DAMPFHAHGRIF
70	83150029R	KIT MANOPOLA ACQUA	WATER TAP KNOB	POIGNEE ROBINET EAU	WASSERHAHGRIF

NERO/INOX - BLACK/S.STEEL - NOIR/INOX - SCHWARZ/STAHL

Pos	Code	Denominazione - IT -	Denomination - EN -	Denomination - FR -	Denomination - DE -
71	70847900	FRONTONE AEP/1 NERO	FRONT PANEL AEP/1 BLACK	PANNEAU FRONTAL AEP/1 NOIR	STIRNTAFEL AEP/1 SCHWARZ
72	70847903	FRONTONE AEP/2 NERO	FRONT PANEL AEP/2 BLACK	PANNEAU FRONTAL AEP/2 NOIR	STIRNTAFEL AEP/2 SCHWARZ
73	70847906	FRONTONE AEP/3 NERO	FRONT PANEL AEP/3 BLACK	PANNEAU FRONTAL AEP/3 NOIR	STIRNTAFEL AEP/3 SCHWARZ
74	56900600	FRONTONE ASSIEMATO AEP/1 NERO	ASSEMBLY FRONT PANEL AEP/1 BLACK	ENS.PANNEAU FRONTAL AEP/1 NOIR	STIRNTAFEL AEP/1 SCHWARZ
75	56900603	FRONTONE ASSIEMATO AEP/2 NERO	ASSEMBLY FRONT PANEL AEP/2 BLACK	ENS.PANNEAU FRONTAL AEP/2 NOIR	STIRNTAFEL AEP/2 SCHWARZ
76	56900606	FRONTONE ASSIEMATO AEP/3 NERO	ASSEMBLY FRONT PANEL AEP/3 BLACK	ENS.PANNEAU FRONTAL AEP/3 NOIR	STIRNTAFEL AEP/3 SCHWARZ
77	70847901	FRONTONE SAE/1 NERO	FRONT PANEL SAE/1 BLACK	PANNEAU FRONTAL SAE/1 NOIR	STIRNTAFEL SAE/1 SCHWARZ
78	70847904	FRONTONE SAE/2 NERO	FRONT PANEL SAE/2 BLACK	PANNEAU FRONTAL SAE/2 NOIR	STIRNTAFEL SAE/2 SCHWARZ
79	70847907	FRONTONE SAE/3 NERO	FRONT PANEL SAE/3 BLACK	PANNEAU FRONTAL SAE/3 NOIR	STIRNTAFEL SAE/3 SCHWARZ
80	56900601	FRONTONE ASSIEMATO SAE/1 NERO	ASSEMBLY FRONT PANEL SAE/1 BLACK	ENS.PANNEAU FRONTAL SAE/1 NOIR	STIRNTAFEL SAE/1 SCHWARZ
81	56900604	FRONTONE ASSIEMATO SAE/2 NERO	ASSEMBLY FRONT PANEL SAE/2 BLACK	ENS.PANNEAU FRONTAL SAE/2 NOIR	STIRNTAFEL SAE/2 SCHWARZ
82	56900607	FRONTONE ASSIEMATO SAE/3 NERO	ASSEMBLY FRONT PANEL SAE/3 BLACK	ENS.PANNEAU FRONTAL SAE/3 NOIR	STIRNTAFEL SAE/3 SCHWARZ



ROSSO/INOX - RED/S.STEEL - ROUGE/INOX - ROT/STAHL

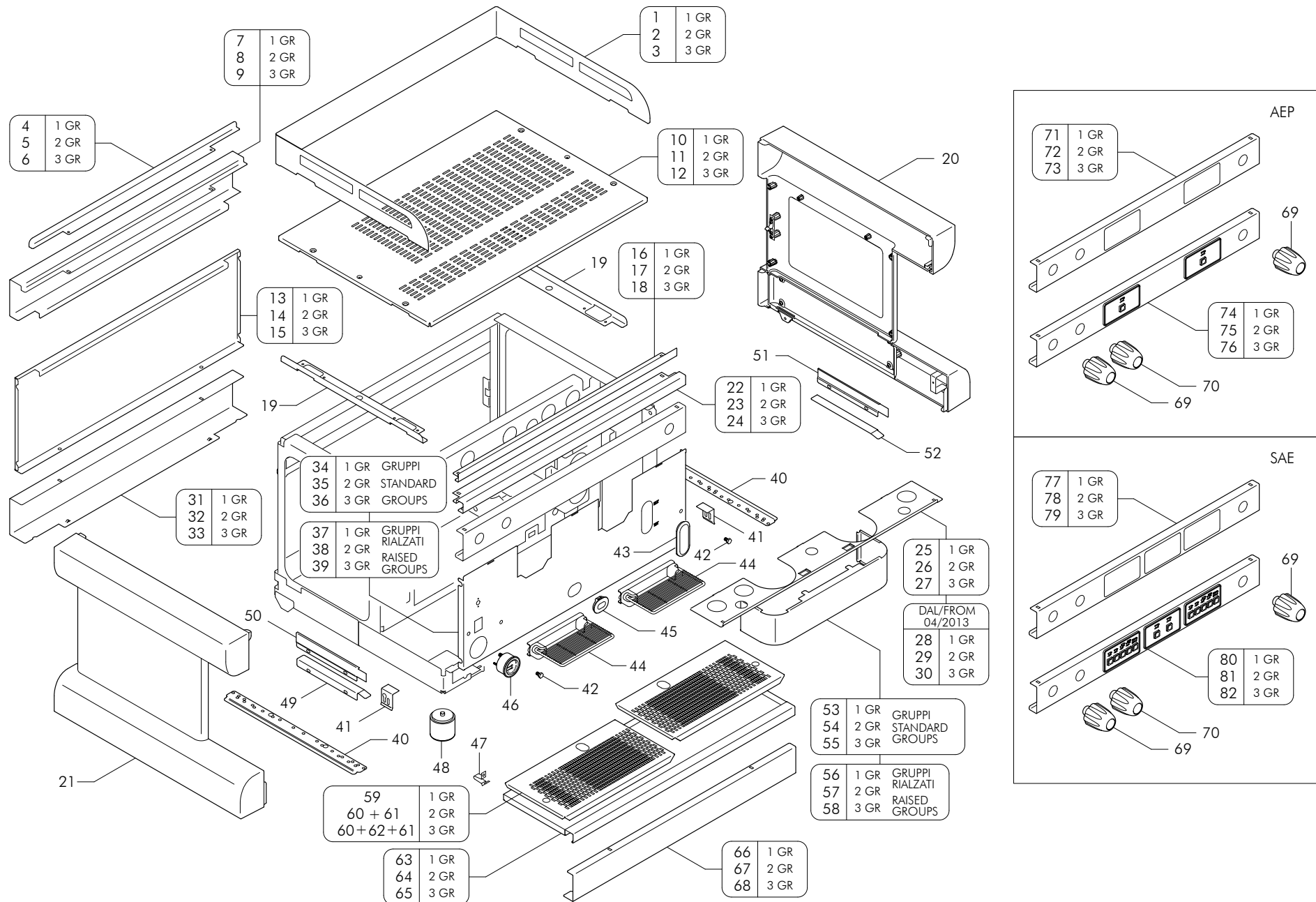
Pos	Code	Denominazione - IT -	Denomination - EN -	Denomination - FR -	Denomination - DE -
1	21162087	PLEXIGLASS 1GR	PLEXIGLASS 1GR	PLEXIGLASS 1GR	PLEXIGLASS 1GR
2	21162088	PLEXIGLASS 2GR	PLEXIGLASS 2GR	PLEXIGLASS 2GR	PLEXIGLASS 2GR
3	21162089	PLEXIGLASS 3GR	PLEXIGLASS 3GR	PLEXIGLASS 3GR	PLEXIGLASS 3GR
4	77169107	PROFILO SUPERIORE POST. 1GR	BACK TOP SURROUND 1GR	PROFILS POST.SUP. 1GR	PROFIL OBEN HINTEN 1GR
5	77169108	PROFILO SUPERIORE POST. 2GR	BACK TOP SURROUND 2GR	PROFILS POST.SUP. 2GR	PROFIL OBEN HINTEN 2GR
6	77169109	PROFILO SUPERIORE POST. 3GR	BACK TOP SURROUND 3GR	PROFILS POST.SUP. 3GR	PROFIL OBEN HINTEN 3GR
7	75288708	PANNELLO POSTERIORE SUP. 1GR ROSSO	BACK TOP PANEL 1GR RED	PANNEAU POST.SUP. 1GR ROUGE	TAFEL AUFBAU HINTEN OBEN 1GR ROT
8	75288709	PANNELLO POSTERIORE SUP. 2GR ROSSO	BACK TOP PANEL 2GR RED	PANNEAU POST.SUP. 2GR ROUGE	TAFEL AUFBAU HINTEN OBEN 2GR ROT
9	75288710	PANNELLO POSTERIORE SUP. 3GR ROSSO	BACK TOP PANEL 3GR RED	PANNEAU POST.SUP. 3GR ROUGE	TAFEL AUFBAU HINTEN OBEN 3GR ROT
10	76100148	GRIGLIA SUPERIORE 1GR INOX	TOP GRATE 1GR S.STEEL	GRILLE SUP. 1GR INOX	OBERGITTER 1GR STAHL
11	76100149	GRIGLIA SUPERIORE 2GR INOX	TOP GRATE 2GR S.STEEL	GRILLE SUP. 2GR INOX	OBERGITTER 2GR STAHL
12	76100150	GRIGLIA SUPERIORE 3GR INOX	TOP GRATE 3GR S.STEEL	GRILLE SUP. 3GR INOX	OBERGITTER 3GR STAHL
13	75288687	PANNELLO POSTERIORE CENTR.1GR INOX	BACK CENTRAL PANEL 1GR S.STEEL	PANNEAU CENTRAL 1GR INOX	HINTERE MITTLERE TAFEL 1GR STAHL
14	75288688	PANNELLO POSTERIORE CENTR.2GR INOX	BACK CENTRAL PANEL 2GR S.STEEL	PANNEAU CENTRAL 2GR INOX	HINTERE MITTLERE TAFEL 2GR STAHL
15	75288689	PANNELLO POSTERIORE CENTR.3GR INOX	BACK CENTRAL PANEL 3GR S.STEEL	PANNEAU CENTRAL 3GR INOX	HINTERE MITTLERE TAFEL 3GR STAHL
16	77169111	PROFILO 1GR INOX	SURROUND 1GR S.STEEL	PROFILS 1GR INOX	PROFIL 1GR STAHL
17	77169112	PROFILO 2GR INOX	SURROUND 2GR S.STEEL	PROFILS 2GR INOX	PROFIL 2GR STAHL
18	77169113	PROFILO 3GR INOX	SURROUND 3GR S.STEEL	PROFILS 3GR INOX	PROFIL 3GR STAHL
19	77169110	PROFILO DESTRO-SINISTRO INOX	SURROUND RIGHT-LEFT S.STEEL	PROFILS DROIT-GAUCHE INOX	PROFIL RECHT-LINKE STAHL
20	56910394	FIANCO DESTRO ROSSO	RIGHT SIDE RED	COTE DROIT ROUGE	RECHTE SEITE ROT
21	56910395	FIANCO SINISTRO ROSSO	LEFT SIDE RED	COTE GAUCHE ROUGE	LINKS SEITE ROT
22	77169104	PROFILO SUPERIORE ANT. 1GR INOX	FRONT SURROUND TOP 1GR S.STEEL	PROFILS SUP.ANT. 1GR INOX	PROFIL OBEN 1GR STAHL
23	77169105	PROFILO SUPERIORE ANT. 2GR INOX	FRONT SURROUND TOP 2GR S.STEEL	PROFILS SUP.ANT. 2GR INOX	PROFIL OBEN 2GR STAHL
24	77169106	PROFILO SUPERIORE ANT. 3GR INOX	FRONT SURROUND TOP 3GR S.STEEL	PROFILS SUP.ANT. 3GR INOX	PROFIL OBEN 3GR STAHL
25	77691847	COPRIMPIANTO 1GR CON LED	CABLE-COVER 1GR WITH LED	COUVRE-CABLEGE 1GR AVEC LED	VERDRAHTUNHDECKEL 1GR MIT LED
25	77691850	COPRIMPIANTO 1GR	CABLE-COVER 1GR	COUVRE-CABLAGE 1GR	VERDRAHTUNHDECKEL 1GR
26	77691848	COPRIMPIANTO 2GR CON LED	CABLE-COVER 2GR WITH LED	COUVRE-CABLAGE 2GR AVEC LED	VERDRAHTUNHDECKEL 2GR MIT LED
26	77691851	COPRIMPIANTO 2GR	CABLE-COVER 2GR	COUVRE-CABLAGE 2GR	VERDRAHTUNHDECKEL 2GR
27	77691849	COPRIMPIANTO 3GR CON LED	CABLE-COVER 3GR WITH LED	COUVRE-CABLAGE 3GR AVEC LED	VERDRAHTUNHDECKEL 3GR MIT LED
27	77691852	COPRIMPIANTO 3GR	CABLE-COVER 3GR	COUVRE-CABLAGE 3GR	VERDRAHTUNHDECKEL 3GR
28	77691841	COPRIMPIANTO 1GR CON LED	CABLE-COVER 1GR WITH LED	COUVRE-CABLEGE 1GR AVEC LED	VERDRAHTUNHDECKEL 1GR MIT LED
28	77691844	COPRIMPIANTO 1GR	CABLE-COVER 1GR	COUVRE-CABLAGE 1GR	VERDRAHTUNHDECKEL 1GR
29	77691842	COPRIMPIANTO 2GR CON LED	CABLE-COVER 2GR WITH LED	COUVRE-CABLAGE 2GR AVEC LED	VERDRAHTUNHDECKEL 2GR MIT LED
29	77691845	COPRIMPIANTO 2GR	CABLE-COVER 2GR	COUVRE-CABLAGE 2GR	VERDRAHTUNHDECKEL 2GR
30	77691843	COPRIMPIANTO 3GR CON LED	CABLE-COVER 3GR WITH LED	COUVRE-CABLAGE 3GR AVEC LED	VERDRAHTUNHDECKEL 3GR MIT LED
30	77691846	COPRIMPIANTO 3GR	CABLE-COVER 3GR	COUVRE-CABLAGE 3GR	VERDRAHTUNHDECKEL 3GR

ROSSO/INOX - RED/S.STEEL - ROUGE/INOX - ROT/STAHL

Pos	Code	Denominazione - IT -	Denomination - EN -	Denomination - FR -	Denomination - DE -
31	77453922	PROFILO BASAMENTO POST.1GR ROSSO	REAR BASE SECTION 1GR RED	PROFIL BASE POST. 1GR ROUGE	HINTER-GRUNDPROFIL 1GR ROT
32	77453923	PROFILO BASAMENTO POST.2GR ROSSO	REAR BASE SECTION 2GR RED	PROFIL BASE POST. 2GR ROUGE	HINTER-GRUNDPROFIL 2GR ROT
33	77453924	PROFILO BASAMENTO POST.3GR ROSSO	REAR BASE SECTION 3GR RED	PROFIL BASE POST. 3GR ROUGE	HINTER-GRUNDPROFIL 3GR ROT
34	77849051	COPRICALDAIA 1GR CTS INOX	BOILER COVER 1GR CTS S.STEEL	COUVRE-CHAUDIERE 1GR CTS INOX	KESSELDECKEL 1GR CTS STAHL
35	77849052	COPRICALDAIA 2GR CTS INOX	BOILER COVER 2GR CTS S.STEEL	COUVRE-CHAUDIERE 2GR CTS INOX	KESSELDECKEL 2GR CTS STAHL
36	77849053	COPRICALDAIA 3GR CTS INOX	BOILER COVER 3GR CTS S.STEEL	COUVRE-CHAUDIERE 3GR CTS INOX	KESSELDECKEL 3GR CTS STAHL
37	77849054	COPRICALDAIA 1GR GR.RI. CTS INOX	BOILER COVER 1GR RA.GR. CTS S.STEEL	COUVRE-CHAUDIERE 1GR GR.RE. CTS INOX	KESSELDECKEL 1GR ER.GR. CTS STAHL
38	77849055	COPRICALDAIA 2GR GR.RI. CTS INOX	BOILER COVER 2GR RA.GR. CTS S.STEEL	COUVRE-CHAUDIERE 2GR GR.RE. CTS INOX	KESSELDECKEL 2GR ER.GR. CTS STAHL
39	77849056	COPRICALDAIA 3GR GR.RI. CTS INOX	BOILER COVER 3GR RA.GR. CTS S.STEEL	COUVRE-CHAUDIERE 3GR GR.RE. CTS INOX	KESSELDECKEL 3GR ER.GR. CTS STAHL
40	77607020	SUPPORTO DESTRO-SINISTRO FIANCO	RIGHT-LEFT SUPPORT	SUPPORT DROIT-GAUCHE	RECHTS/LINKS HALTER
41	77692016	PIASTRINA FISSAGGIO FIANCO	FIXING PLATE	PLAQUE DE FIXATION	BEFESTIGUNGSPLATTE
42	23420001	VITE TE BOMBATA M6x12 OT/Ni	M6x12NICKEL-PLATED BRASS HEX.HEAD SCREW	VIS TH LAITON M6x12 NICKEL	SECHSKANTSCHRAUBE AUS MESSING M6x12
43	21202	SEGNALIVELLO	LEVEL INDICATOR	SIGNAL NIVEAU	FARBLOSER NIVEAUANZEIGER
44	76149093	GRIGLIA RIALZO TAZZE FILO SALDATO	CUPS-STAND FOR RAISED GROUP	GRILLE POUR GROUPES REHAISSES	GITTER FUER HOHE GRUPPE
45	15373070	TAPPO ABS CROMATO FORO GAS	CHROMED CAP	BOUCHON CHROME COUVRE-TROU DU GAZ	CHROM CAP
46	21112	MANOMETRO TONDO DOPPIA SCALA	PRESSURE GAUGE	MANOMETRE	MANOMETER
47	10471	MOLLA FERMA BACINELLA	TRAY STOP SPRING	RESSORT ARRET BAC	FEDER F. BECKENBEFESTIGUNG
48	15318002	PIEDINO REGOLABILE INOX/SAT H55/69 D-58	ADJUSTABLE FOOT	PIED REGLABLE	REGELBARER FUSS
49	77742025	GUIDA BACINELLA SINISTRA	LEFT TRAY GUIDE	GUIDEE GAUCHE BAC POUR CHASSIS	SCHIENE LINKS BECKEN RAHMEN
50	77742006	GUIDA SINISTRA TELAIO BACINELLA	LEFT TRAY GUIDE	GUIDEE GAUCHE BAC POUR CHASSIS	SCHIENE LINKS BECKEN RAHMEN
51	77742002	GUIDA DESTRA TELAIO BACINELLA	RIGHT TRAY GUIDE	GUIDEE DROITE BAC POUR CHASSIS	SCHIENE RECHTS BECKEN RAHMEN
52	77742024	GUIDA BACINELLA DESTRA	RIGHT TRAY GUIDE	GUIDEE DROITE BAC POUR CHASSIS	SCHIENE RECHTS BECKEN RAHMEN
53	77691853	PROTEZIONE GRUPPO 1GR	PROTECTION GROUP 1GR	PROTECTION GROUPE 1GR	GRUPPEN SCHUTZ 1GR
54	77691854	PROTEZIONE GRUPPI 2GR	PROTECTION GROUP 2GR	PROTECTION GROUPE 2GR	GRUPPEN SCHUTZ 2GR
55	77691855	PROTEZIONE GRUPPI 3GR	PROTECTION GROUP 3GR	PROTECTION GROUPE 3GR	GRUPPEN SCHUTZ 3GR
56	77691856	PROTEZIONE GRUPPO 1GR ALTO	PROTECTION RAISED GROUP 1GR	PROTECTION GROUPES REHAUSSES 1GR	ERHOEHTE GRUPPEN SCHUTZ 1GR
57	77691857	PROTEZIONE GRUPPI 2GR ALTI	PROTECTION RAISED GROUPS 2GR	PROTECTION GROUPES REHAUSSES 2GR	ERHOEHTE GRUPPEN SCHUTZ 2GR
58	77691858	PROTEZIONE GRUPPI 3GR ALTI	PROTECTION RAISED GROUPS 3GR	PROTECTION GROUPES REHAUSSES 3GR	ERHOEHTE GRUPPEN SCHUTZ 3GR
59	76153000	GRIGLIA INFERIORE INOX LUC.456x201	LOWER GRILL 456x201 SHINY S.STEEL	GRILLE INF.INOX 456x201	STAHL-UNTERGITTER 456x201
60	76154000	GRIGLIA INF.DESTRA INOX LUC.338.5x201	RIGHT LOWER GRILL -SHINY S.STEEL	GRILLE INF.DROIT INOX 338,5x201	STAHL-UNTER-RECHTEGITTER 338,5x201
61	76155000	GRIGLIA INF.SINISTRA INOX LUC.338.5x201	LEFT LOWER GRILL - SHINY S.STEEL	GRILLE INF.GAUCHE INOX 338,5x201	STAHL-UNTER-LINKEGITTER 338,5x201
62	76156000	GRIGLIA INFERIORE INOX LUC.	LOWER GRILL - SHINY S.STEEL	GRILLE INF.INOX	STAHL-UNTERGITTER
63	76098123	BACINELLA 1GR INOX	TRAY 1GR S.STEEL	BASSINELLE 1GR INOX	STAHLSCHALE 1GR
64	76098124	BACINELLA 2GR INOX	TRAY 2GR S.STEEL	BASSINELLE 2GR INOX	STAHLSCHALE 2GR
65	76098125	BACINELLA 3GR INOX	TRAY 3GR S.STEEL	BASSINELLE 3GR INOX	STAHLSCHALE 3GR
66	77453919	PROFILO BASAMENTO ANT.1GR ROSSO	BASE SURROUND 1GR RED	PROFILS BASE 1GR ROUGE	GRUNDPROFIL 1GR ROT
67	77453920	PROFILO BASAMENTO ANT.2GR ROSSO	BASE SURROUND 2GR RED	PROFILS BASE 2GR ROUGE	GRUNDPROFIL 2GR ROT
68	77453921	PROFILO BASAMENTO ANT.3GR ROSSO	BASE SURROUND 3GR RED	PROFILS BASE 3GR ROUGE	GRUNDPROFIL 3GR ROT
69	83150028R	KIT MANOPOLA VAPORE	STEAM TAP KNOB	POIGNEE ROBINET VAPEUR	DAMPFHAHGRIFF
70	83150029R	KIT MANOPOLA ACQUA	WATER TAP KNOB	POIGNEE ROBINET EAU	WASSERHAHGRIFF

ROSSO/INOX - RED/S.STEEL - ROUGE/INOX - ROT/STAHL

Pos	Code	Denominazione - IT -	Denomination - EN -	Denomination - FR -	Denomination - DE -
71	70847936	FRONTONE AEP/1 ROSSO	FRONT PANEL AEP/1 RED	PANNEAU FRONTAL AEP/1 ROUGE	STIRNTAFEL AEP/1 ROT
72	70847939	FRONTONE AEP/2 ROSSO	FRONT PANEL AEP/2 RED	PANNEAU FRONTAL AEP/2 ROUGE	STIRNTAFEL AEP/2 ROT
73	70847942	FRONTONE AEP/3 ROSSO	FRONT PANEL AEP/3 RED	PANNEAU FRONTAL AEP/3 ROUGE	STIRNTAFEL AEP/3 ROT
74	56900626	FRONTONE ASSIEMATO AEP/1 ROSSO	ASSEMBLY FRONT PANEL AEP/1 RED	ENS.PANNEAU FRONTAL AEP/1 ROUGE	STIRNTAFEL AEP/1 ROT
75	56900628	FRONTONE ASSIEMATO AEP/2 ROSSO	ASSEMBLY FRONT PANEL AEP/2 RED	ENS.PANNEAU FRONTAL AEP/2 ROUGE	STIRNTAFEL AEP/2 ROT
76	56900630	FRONTONE ASSIEMATO AEP/3 ROSSO	ASSEMBLY FRONT PANEL AEP/3 RED	ENS.PANNEAU FRONTAL AEP/3 ROUGE	STIRNTAFEL AEP/3 ROT
77	70847937	FRONTONE SAE/1 ROSSO	FRONT PANEL SAE/1 RED	PANNEAU FRONTAL SAE/1 ROUGE	STIRNTAFEL SAE/1 ROT
78	70847940	FRONTONE SAE/2 ROSSO	FRONT PANEL SAE/2 RED	PANNEAU FRONTAL SAE/2 ROUGE	STIRNTAFEL SAE/2 ROT
79	70847943	FRONTONE SAE/3 ROSSO/HS	FRONT PANEL SAE/3 RED	PANNEAU FRONTAL SAE/3 ROUGE	STIRNTAFEL SAE/3 ROT
80	56900627	FRONTONE ASSIEMATO SAE/1 ROSSO	ASSEMBLY FRONT PANEL SAE/1 RED	ENS.PANNEAU FRONTAL SAE/1 ROUGE	STIRNTAFEL SAE/1 ROT
81	56900629	FRONTONE ASSIEMATO SAE/2 ROSSO	ASSEMBLY FRONT PANEL SAE/2 RED	ENS.PANNEAU FRONTAL SAE/2 ROUGE	STIRNTAFEL SAE/2 ROT
82	56900631	FRONTONE ASSIEMATO SAE/3 ROSSO	ASSEMBLY FRONT PANEL SAE/3 RED	ENS.PANNEAU FRONTAL SAE/3 ROUGE	STIRNTAFEL SAE/3 ROT



BIANCO/INOX - WHITE/S.STEEL - BLANC/INOX - WEISS/STAHL

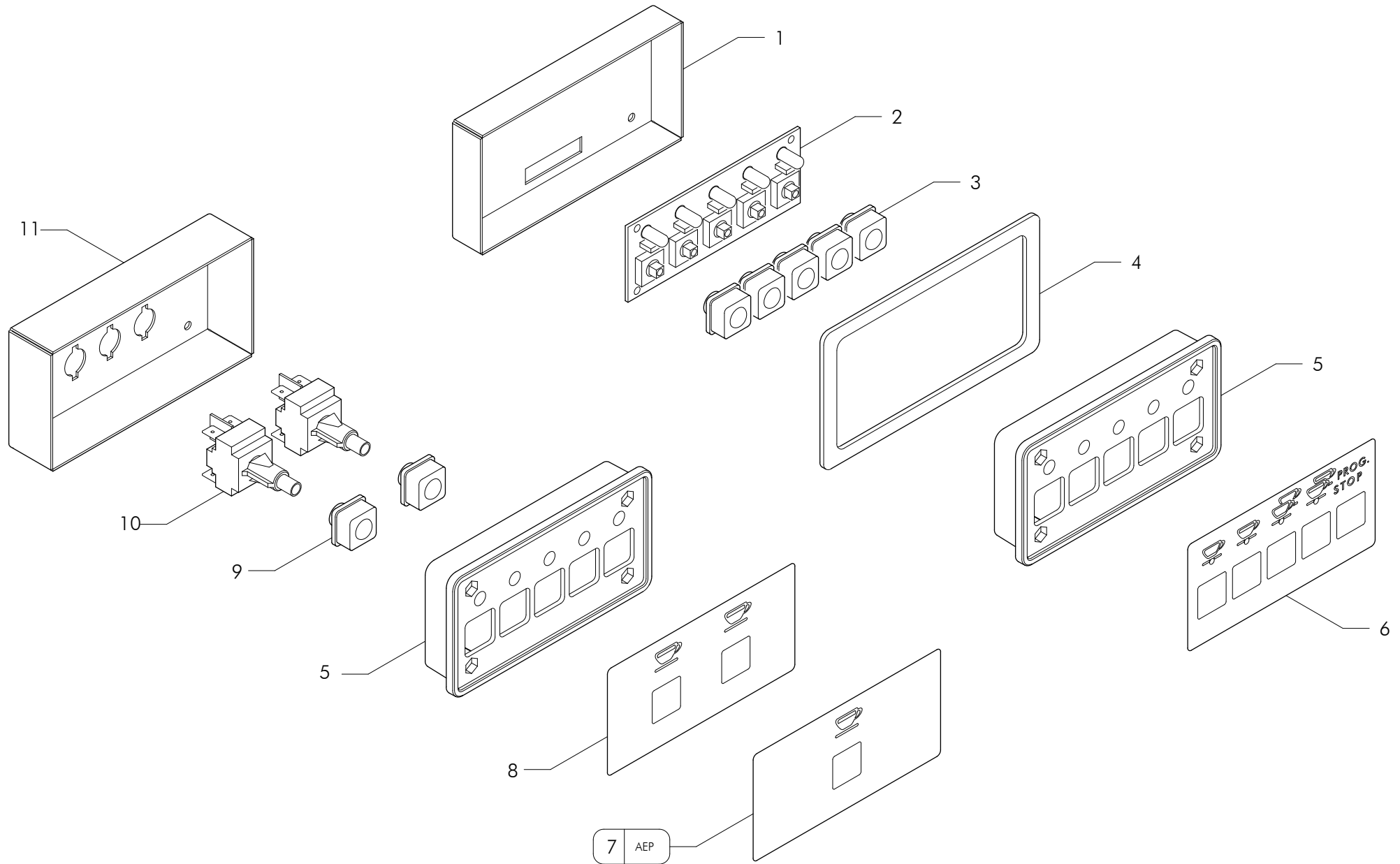
Pos	Code	Denominazione - IT -	Denomination - EN -	Denomination - FR -	Denomination - DE -
1	21162087	PLEXIGLASS 1GR	PLEXIGLASS 1GR	PLEXIGLASS 1GR	PLEXIGLASS 1GR
2	21162088	PLEXIGLASS 2GR	PLEXIGLASS 2GR	PLEXIGLASS 2GR	PLEXIGLASS 2GR
3	21162089	PLEXIGLASS 3GR	PLEXIGLASS 3GR	PLEXIGLASS 3GR	PLEXIGLASS 3GR
4	77169107	PROFILO SUPERIORE POST. 1GR	BACK TOP SURROUND 1GR	PROFILS POST.SUP. 1GR	PROFIL OBEN HINTEN 1GR
5	77169108	PROFILO SUPERIORE POST. 2GR	BACK TOP SURROUND 2GR	PROFILS POST.SUP. 2GR	PROFIL OBEN HINTEN 2GR
6	77169109	PROFILO SUPERIORE POST. 3GR	BACK TOP SURROUND 3GR	PROFILS POST.SUP. 3GR	PROFIL OBEN HINTEN 3GR
7	75288696	PANNELLO POSTERIORE SUP. 1GR BIANCO	BACK TOP PANEL 1GR WHITE	PANNEAU POST.SUP. 1GR BLANC	TAFEL AUFBAU HINTEN OBEN 1GR WEISS
8	75288697	PANNELLO POSTERIORE SUP. 2GR BIANCO	BACK TOP PANEL 2GR WHITE	PANNEAU POST.SUP. 2GR BLANC	TAFEL AUFBAU HINTEN OBEN 2GR WEISS
9	75288698	PANNELLO POSTERIORE SUP. 3GR BIANCO	BACK TOP PANEL 3GR WHITE	PANNEAU POST.SUP. 3GR BLANC	TAFEL AUFBAU HINTEN OBEN 3GR WEISS
10	76100148	GRIGLIA SUPERIORE 1GR INOX	TOP GRATE 1GR S.STEEL	GRILLE SUP. 1GR INOX	OBERGITTER 1GR STAHL
11	76100149	GRIGLIA SUPERIORE 2GR INOX	TOP GRATE 2GR S.STEEL	GRILLE SUP. 2GR INOX	OBERGITTER 2GR STAHL
12	76100150	GRIGLIA SUPERIORE 3GR INOX	TOP GRATE 3GR S.STEEL	GRILLE SUP. 3GR INOX	OBERGITTER 3GR STAHL
13	75288687	PANNELLO POSTERIORE CENTR.1GR INOX	BACK CENTRAL PANEL 1GR S.STEEL	PANNEAU CENTRAL 1GR INOX	HINTERE MITTLERE TAFEL 1GR STAHL
14	75288688	PANNELLO POSTERIORE CENTR.2GR INOX	BACK CENTRAL PANEL 2GR S.STEEL	PANNEAU CENTRAL 2GR INOX	HINTERE MITTLERE TAFEL 2GR STAHL
15	75288689	PANNELLO POSTERIORE CENTR.3GR INOX	BACK CENTRAL PANEL 3GR S.STEEL	PANNEAU CENTRAL 3GR INOX	HINTERE MITTLERE TAFEL 3GR STAHL
16	77169111	PROFILO 1GR INOX	SURROUND 1GR S.STEEL	PROFILS 1GR INOX	PROFIL 1GR STAHL
17	77169112	PROFILO 2GR INOX	SURROUND 2GR S.STEEL	PROFILS 2GR INOX	PROFIL 2GR STAHL
18	77169113	PROFILO 3GR INOX	SURROUND 3GR S.STEEL	PROFILS 3GR INOX	PROFIL 3GR STAHL
19	77169110	PROFILO DESTRO-SINISTRO INOX	SURROUND RIGHT-LEFT S.STEEL	PROFILS DROIT-GAUCHE INOX	PROFIL RECHT-LINKE STAHL
20	56910382	FIANCO ASS.DX BIANCO	ASSEMBLY RIGHT SIDE WHITE	ENS. COTE DROIT BLANC	RECHTE SEITE WEISS
21	56910383	FIANCO ASS.SX BIANCO	ASSEMBLY LEFT SIDE WHITE	ENS. COTE GAUCHE BLANC	LINKS SEITE WEISS
22	77169104	PROFILO SUPERIORE ANT. 1GR INOX	FRONT SURROUND TOP 1GR S.STEEL	PROFILS SUP.ANT. 1GR INOX	PROFIL OBEN 1GR STAHL
23	77169105	PROFILO SUPERIORE ANT. 2GR INOX	FRONT SURROUND TOP 2GR S.STEEL	PROFILS SUP.ANT. 2GR INOX	PROFIL OBEN 2GR STAHL
24	77169106	PROFILO SUPERIORE ANT. 3GR INOX	FRONT SURROUND TOP 3GR S.STEEL	PROFILS SUP.ANT. 3GR INOX	PROFIL OBEN 3GR STAHL
25	77691847	COPRIMPIANTO 1GR CON LED	CABLE-COVER 1GR WITH LED	COUVRE-CABLEGE 1GR AVEC LED	VERDRAHTUNHDECKEL 1GR MIT LED
25	77691850	COPRIMPIANTO 1GR	CABLE-COVER 1GR	COUVRE-CABLAGE 1GR	VERDRAHTUNHDECKEL 1GR
26	77691848	COPRIMPIANTO 2GR CON LED	CABLE-COVER 2GR WITH LED	COUVRE-CABLAGE 2GR AVEC LED	VERDRAHTUNHDECKEL 2GR MIT LED
26	77691851	COPRIMPIANTO 2GR	CABLE-COVER 2GR	COUVRE-CABLAGE 2GR	VERDRAHTUNHDECKEL 2GR
27	77691849	COPRIMPIANTO 3GR CON LED	CABLE-COVER 3GR WITH LED	COUVRE-CABLAGE 3GR AVEC LED	VERDRAHTUNHDECKEL 3GR MIT LED
27	77691852	COPRIMPIANTO 3GR	CABLE-COVER 3GR	COUVRE-CABLAGE 3GR	VERDRAHTUNHDECKEL 3GR
28	77691841	COPRIMPIANTO 1GR CON LED	CABLE-COVER 1GR WITH LED	COUVRE-CABLEGE 1GR AVEC LED	VERDRAHTUNHDECKEL 1GR MIT LED
28	77691844	COPRIMPIANTO 1GR	CABLE-COVER 1GR	COUVRE-CABLAGE 1GR	VERDRAHTUNHDECKEL 1GR
29	77691842	COPRIMPIANTO 2GR CON LED	CABLE-COVER 2GR WITH LED	COUVRE-CABLAGE 2GR AVEC LED	VERDRAHTUNHDECKEL 2GR MIT LED
29	77691845	COPRIMPIANTO 2GR	CABLE-COVER 2GR	COUVRE-CABLAGE 2GR	VERDRAHTUNHDECKEL 2GR
30	77691843	COPRIMPIANTO 3GR CON LED	CABLE-COVER 3GR WITH LED	COUVRE-CABLAGE 3GR AVEC LED	VERDRAHTUNHDECKEL 3GR MIT LED
30	77691846	COPRIMPIANTO 3GR	CABLE-COVER 3GR	COUVRE-CABLAGE 3GR	VERDRAHTUNHDECKEL 3GR

BIANCO/INOX - WHITE/S.STEEL - BLANC/INOX - WEISS/STAHL

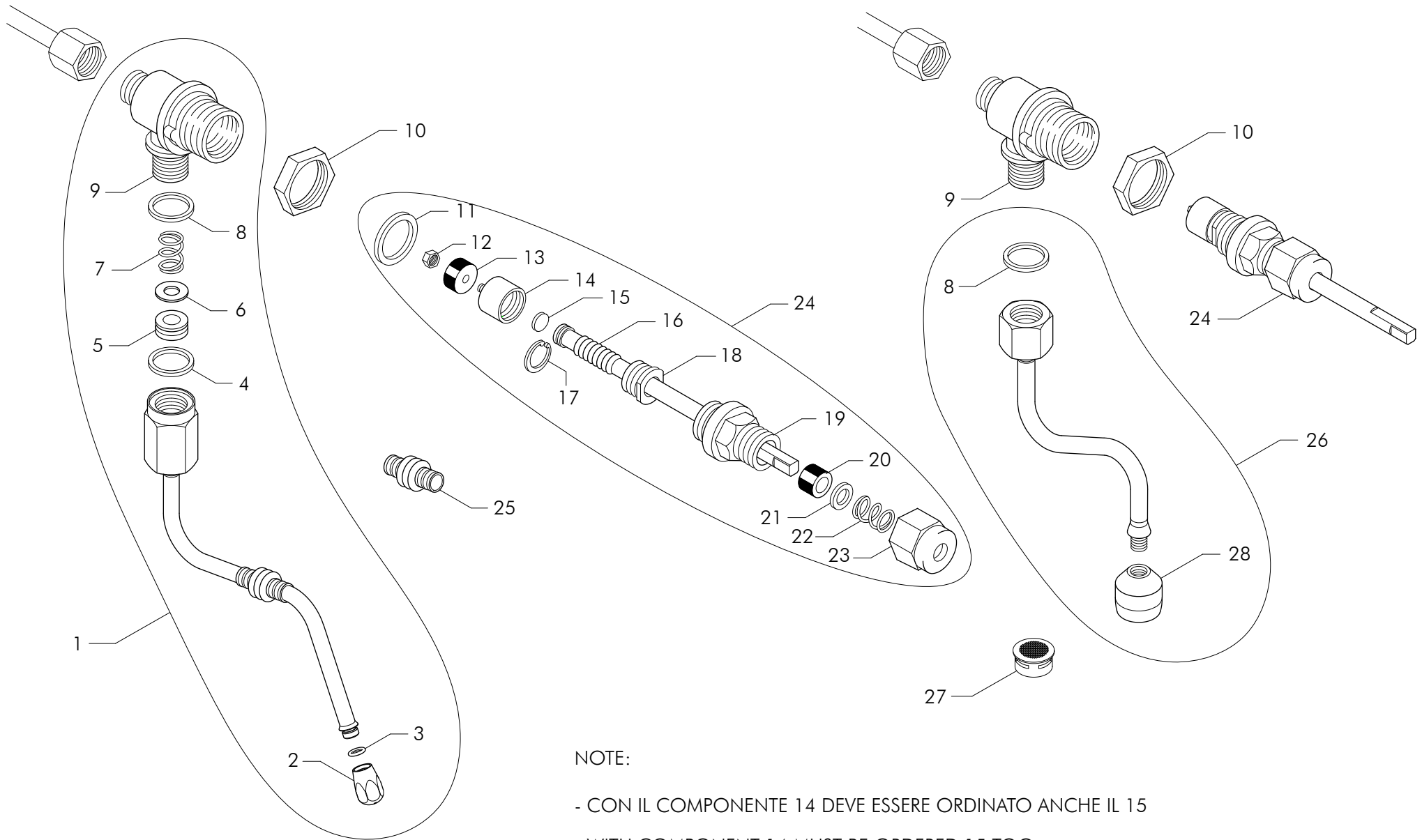
Pos	Code	Denominazione - IT -	Denomination - EN -	Denomination - FR -	Denomination - DE -
31	77453904	PROFILO BASAMENTO POST.1GR BIANCO	REAR BASE SECTION 1GR WHITE	PROFIL BASE POST. 1GR BLANC	HINTER-GRUNDPROFIL 1GR WEISS
32	77453905	PROFILO BASAMENTO POST.2GR BIANCO	REAR BASE SECTION 2GR WHITE	PROFIL BASE POST. 2GR BLANC	HINTER-GRUNDPROFIL 2GR WEISS
33	77453906	PROFILO BASAMENTO POST.3GR BIANCO	REAR BASE SECTION 3GR WHITE	PROFIL BASE POST. 3GR BLANC	HINTER-GRUNDPROFIL 3GR WEISS
34	77849051	COPRICALDAIA 1GR CTS INOX	BOILER COVER 1GR CTS S.STEEL	COUVRE-CHAUDIERE 1GR CTS INOX	KESSELDECKEL 1GR CTS STAHL
35	77849052	COPRICALDAIA 2GR CTS INOX	BOILER COVER 2GR CTS S.STEEL	COUVRE-CHAUDIERE 2GR CTS INOX	KESSELDECKEL 2GR CTS STAHL
36	77849053	COPRICALDAIA 3GR CTS INOX	BOILER COVER 3GR CTS S.STEEL	COUVRE-CHAUDIERE 3GR CTS INOX	KESSELDECKEL 3GR CTS STAHL
37	77849054	COPRICALDAIA 1GR GR.RI. CTS INOX	BOILER COVER 1GR RA.GR. CTS S.STEEL	COUVRE-CHAUDIERE 1GR GR.RE. CTS INOX	KESSELDECKEL 1GR ER.GR. CTS STAHL
38	77849055	COPRICALDAIA 2GR GR.RI. CTS INOX	BOILER COVER 2GR RA.GR. CTS S.STEEL	COUVRE-CHAUDIERE 2GR GR.RE. CTS INOX	KESSELDECKEL 2GR ER.GR. CTS STAHL
39	77849056	COPRICALDAIA 3GR GR.RI. CTS INOX	BOILER COVER 3GR RA.GR. CTS S.STEEL	COUVRE-CHAUDIERE 3GR GR.RE. CTS INOX	KESSELDECKEL 3GR ER.GR. CTS STAHL
40	77607020	SUPPORTO DESTRO-SINISTRO FIANCO	RIGHT-LEFT SUPPORT	SUPPORT DROIT-GAUCHE	RECHTS/LINKS HALTER
41	77692016	PIASTRINA FISSAGGIO FIANCO	FIXING PLATE	PLAQUE DE FIXATION	BEFESTIGUNGSPLATTE
42	23420001	VITE TE BOMBATA M6x12 OT/Ni	M6x12NICKEL-PLATED BRASS HEX.HEAD SCREW	VIS TH LAITON M6x12 NICKEL	SECHSKANTSCHRAUBE AUS MESSING M6x12
43	21202	SEGNALIVELLO	LEVEL INDICATOR	SIGNAL NIVEAU	FARBLOSER NIVEAUANZEIGER
44	76149093	GRIGLIA RIALZO TAZZE FILO SALDATO	CUPS-STAND FOR RAISED GROUP	GRILLE POUR GROUPES REHAISSES	GITTER FUER HOHE GRUPPE
45	15373070	TAPPO ABS CROMATO FORO GAS	CHROMED CAP	BOUCHON CHROME COUVRE-TROU DU GAZ	CHROM CAP
46	21112	MANOMETRO TONDO DOPPIA SCALA	PRESSURE GAUGE	MANOMETRE	MANOMETER
47	10471	MOLLA FERMA BACINELLA	TRAY STOP SPRING	RESSORT ARRET BAC	FEDER F. BECKENBEFESTIGUNG
48	15318002	PIEDINO REGOLABILE INOX/SAT H55/69 D-58	ADJUSTABLE FOOT	PIED REGLABLE	REGELBARER FUSS
49	77742025	GUIDA BACINELLA SINISTRA	LEFT TRAY GUIDE	GUIDEE GAUCHE BAC POUR CHASSIS	SCHIENE LINKS BECKEN RAHMEN
50	77742006	GUIDA SINISTRA TELAIO BACINELLA	LEFT TRAY GUIDE	GUIDEE GAUCHE BAC POUR CHASSIS	SCHIENE LINKS BECKEN RAHMEN
51	77742002	GUIDA DESTRA TELAIO BACINELLA	RIGHT TRAY GUIDE	GUIDEE DROITE BAC POUR CHASSIS	SCHIENE RECHTS BECKEN RAHMEN
52	77742024	GUIDA BACINELLA DESTRA	RIGHT TRAY GUIDE	GUIDEE DROITE BAC POUR CHASSIS	SCHIENE RECHTS BECKEN RAHMEN
53	77691853	PROTEZIONE GRUPPO 1GR	PROTECTION GROUP 1GR	PROTECTION GROUPE 1GR	GRUPPEN SCHUTZ 1GR
54	77691854	PROTEZIONE GRUPPI 2GR	PROTECTION GROUP 2GR	PROTECTION GROUPE 2GR	GRUPPEN SCHUTZ 2GR
55	77691855	PROTEZIONE GRUPPI 3GR	PROTECTION GROUP 3GR	PROTECTION GROUPE 3GR	GRUPPEN SCHUTZ 3GR
56	77691856	PROTEZIONE GRUPPO 1GR ALTO	PROTECTION RAISED GROUP 1GR	PROTECTION GROUPES REHAUSSES 1GR	ERHOEHTE GRUPPEN SCHUTZ 1GR
57	77691857	PROTEZIONE GRUPPI 2GR ALTI	PROTECTION RAISED GROUPS 2GR	PROTECTION GROUPES REHAUSSES 2GR	ERHOEHTE GRUPPEN SCHUTZ 2GR
58	77691858	PROTEZIONE GRUPPI 3GR ALTI	PROTECTION RAISED GROUPS 3GR	PROTECTION GROUPES REHAUSSES 3GR	ERHOEHTE GRUPPEN SCHUTZ 3GR
59	76153000	GRIGLIA INFERIORE INOX LUC.456x201	LOWER GRILL 456x201 SHINY S.STEEL	GRILLE INF.INOX 456x201	STAHL-UNTERGITTER 456x201
60	76154000	GRIGLIA INF.DESTRA INOX LUC.338.5x201	RIGHT LOWER GRILL -SHINY S.STEEL	GRILLE INF.DROIT INOX 338,5x201	STAHL-UNTER-RECHTEGITTER 338,5x201
61	76155000	GRIGLIA INF.SINISTRA INOX LUC.338.5x201	LEFT LOWER GRILL - SHINY S.STEEL	GRILLE INF.GAUCHE INOX 338,5x201	STAHL-UNTER-LINKEGITTER 338,5x201
62	76156000	GRIGLIA INFERIORE INOX LUC.	LOWER GRILL - SHINY S.STEEL	GRILLE INF.INOX	STAHL-UNTERGITTER
63	76098123	BACINELLA 1GR INOX	TRAY 1GR S.STEEL	BASSINELLE 1GR INOX	STAHLSCHALE 1GR
64	76098124	BACINELLA 2GR INOX	TRAY 2GR S.STEEL	BASSINELLE 2GR INOX	STAHLSCHALE 2GR
65	76098125	BACINELLA 3GR INOX	TRAY 3GR S.STEEL	BASSINELLE 3GR INOX	STAHLSCHALE 3GR
66	77453901	PROFILO BASAMENTO ANT.1GR BIANCO	BASE SURROUND 1GR WHITE	PROFILS BASE 1GR BLANC	GRUNDPROFIL 1GR WEISS
67	77453902	PROFILO BASAMENTO ANT.2GR BIANCO	BASE SURROUND 2GR WHITE	PROFILS BASE 2GR BLANC	GRUNDPROFIL 2GR WEISS
68	77453903	PROFILO BASAMENTO ANT.3GR BIANCO	BASE SURROUND 3GR WHITE	PROFILS BASE 3GR BLANC	GRUNDPROFIL 3GR WEISS
69	83150028R	KIT MANOPOLA VAPORE	STEAM TAP KNOB	POIGNEE ROBINET VAPEUR	DAMPFHAHGRIFF
70	83150029R	KIT MANOPOLA ACQUA	WATER TAP KNOB	POIGNEE ROBINET EAU	WASSERHAHGRIFF

BIANCO/INOX - WHITE/S.STEEL - BLANC/INOX - WEISS/STAHL

Pos	Code	Denominazione - IT -	Denomination - EN -	Denomination - FR -	Denomination - DE -
71	70847909	FRONTONE AEP/1 BIANCO	FRONT PANEL AEP/1 WHITE	PANNEAU FRONTAL AEP/1 BLANC	STIRNTAFEL AEP/1 WEISS
72	70847912	FRONTONE AEP/2 BIANCO	FRONT PANEL AEP/2 WHITE	PANNEAU FRONTAL AEP/2 BLANC	STIRNTAFEL AEP/2 WEISS
73	70847915	FRONTONE AEP/3 BIANCO	FRONT PANEL AEP/3 WHITE	PANNEAU FRONTAL AEP/3 BLANC	STIRNTAFEL AEP/3 WEISS
74	56900608	FRONTONE ASSIEMATO AEP/1 BIANCO	ASSEMBLY FRONT PANEL AEP/1 WHITE	ENS.PANNEAU FRONTAL AEP/1 BLANC	STIRNTAFEL AEP/1 WEISS
75	56900610	FRONTONE ASSIEMATO AEP/2 BIANCO	ASSEMBLY FRONT PANEL AEP/2 WHITE	ENS.PANNEAU FRONTAL AEP/2 BLANC	STIRNTAFEL AEP/2 WEISS
76	56900612	FRONTONE ASSIEMATO AEP/3 BIANCO	ASSEMBLY FRONT PANEL AEP/3 WHITE	ENS.PANNEAU FRONTAL AEP/3 BLANC	STIRNTAFEL AEP/3 WEISS
77	70847910	FRONTONE SAE/1 BIANCO	FRONT PANEL SAE/1 WHITE	PANNEAU FRONTAL SAE/1 BLANC	STIRNTAFEL SAE/1 WEISS
78	70847913	FRONTONE SAE/2 BIANCO	FRONT PANEL SAE/2 WHITE	PANNEAU FRONTAL SAE/2 BLANC	STIRNTAFEL SAE/2 WEISS
79	70847916	FRONTONE SAE/3 BIANCO	FRONT PANEL SAE/3 WHITE	PANNEAU FRONTAL SAE/3 BLANC	STIRNTAFEL SAE/3 WEISS
80	56900609	FRONTONE ASSIEMATO SAE/1 BIANCO	ASSEMBLY FRONT PANEL SAE/1 WHITE	ENS.PANNEAU FRONTAL SAE/1 BLANC	STIRNTAFEL SAE/1 WEISS
81	56900611	FRONTONE ASSIEMATO SAE/2 BIANCO	ASSEMBLY FRONT PANEL SAE/2 WHITE	ENS.PANNEAU FRONTAL SAE/2 BLANC	STIRNTAFEL SAE/2 WEISS
82	56900613	FRONTONE ASSIEMATO SAE/3 BIANCO	ASSEMBLY FRONT PANEL SAE/3 WHITE	ENS.PANNEAU FRONTAL SAE/3 BLANC	STIRNTAFEL SAE/3 WEISS



Pos	Code	Denominazione - IT -	Denomination - EN -	Denomination - FR -	Denomination - DE -
1	15373120	SCATOLA POSTERIORE PULSANTIERA	BOX PUSH BUTTON	BOITIER CLAVIER	GEHAUSE F.TASTENWAHLSCHALTER
2	18371131	CIRCUITO STAMPATO PULSANTIERA 5T	PRINTED CIRCUIT PUSH BUTTON 5T	CIRCUIT IMPRIME CLAVIER 5T	GEDRUCKTER SCHALTKREIS TASTATUREN 5T
3	15373075	TASTO PULSANTIERE CROMATO	CHROMED KEY	TOUCHE CHROMEE	CHROM TASTE
4	15183000	EPDM ESPANSO PROTEZIONE	EPDM PROTECTION	EPDM PROTECTION CLAVIER	EPDM SCHUTZ
5	15373124	SUPPORTO CROMATO PULSANTIERA	CHROMED SUPPORT PUSH BUTTON	SUPPORT CHROME CLAVIER	TASTATUREN SUPPORT CHROM
6	29169230	ETICHETTA ADESIVA PULSANTIERA SAE	ADHESIVE LABEL PUSH BUTTON SAE	ETIQUETTE ADHESIVE CLAVIER SAE	KLEBEETIKETT TASTATUREN SAE
7	29169231	ETICHETTA ADESIVA PULSANTIERA AEP	ADHESIVE LABEL PUSH BUTTON AEP	ETIQUETTE ADHESIVE CLAVIER AEP	KLEBEETIKETT TASTATUREN AEP
8	29169232	ETICHETTA ADESIVA PULSANTIERA 2 TASTI	ADHESIVE LABEL 2 KEY	ETIQUETTE ADHESIVE 2 TOUCHEES	KLEBEETIKETT 2 TASTE
9	15373076	TASTO PULSANTIERE CROMATO	CHROMED KEY	TOUCHE CHROMEE	CHROM TASTE
10	18371057	INTERRUTTORE BIPOLARE	TWO POLE SWITCH	INTERRUPTEUR BIPOLAIRE	ZWEIPOLIGER SCHALTER
11	77685085	PROTEZIONE POSTERIORE TASTI	BOX KEYS	BOITIER TOUCHEES	GEHAUSE F.TASTENWAHLSCHALTER

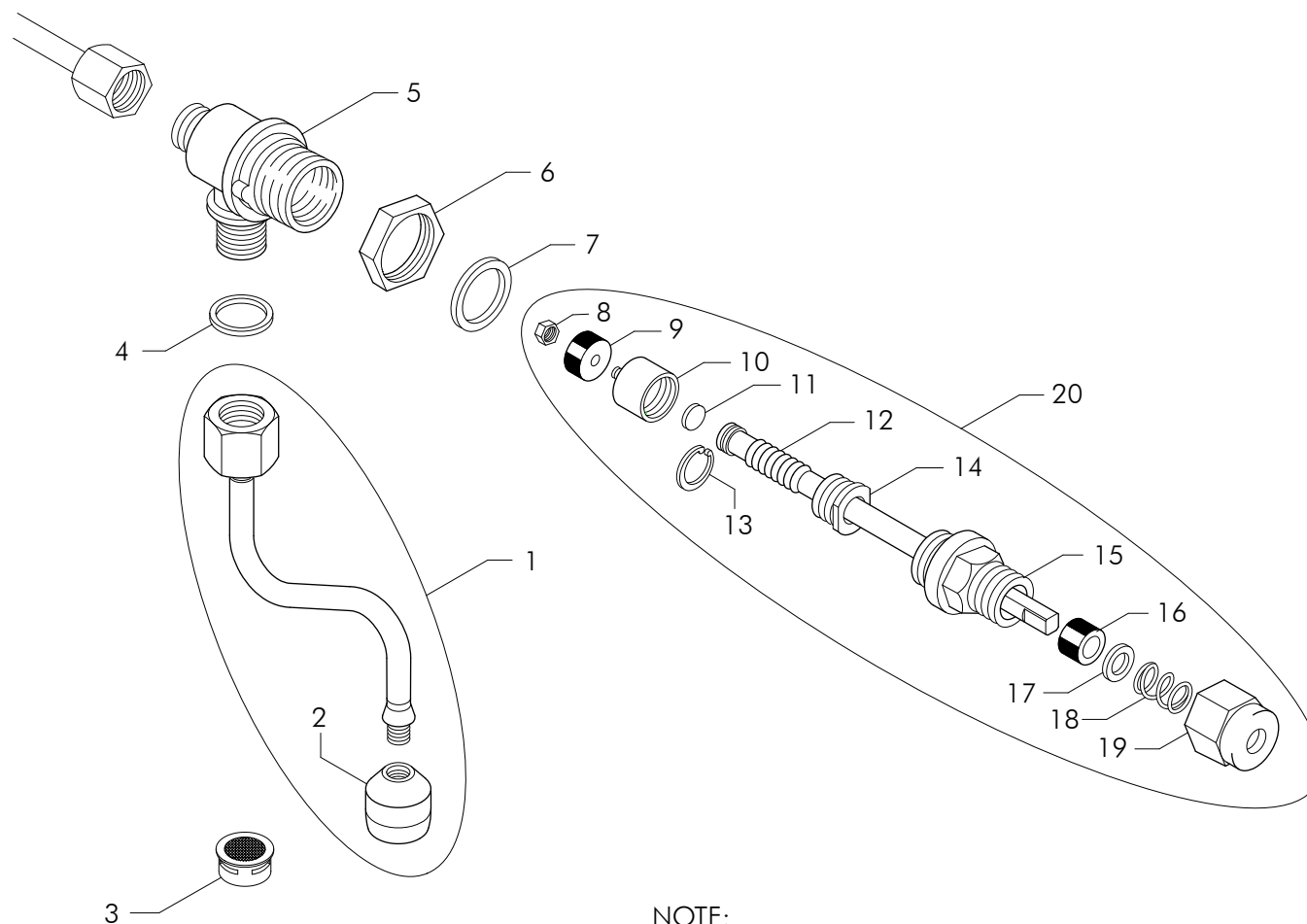


NOTE:

- CON IL COMPONENTE 14 DEVE ESSERE ORDINATO ANCHE IL 15
- WITH COMPONENT 14 MUST BE ORDERED 15 TOO

VAPORE - STEAM - VAPEUR - DAMPF

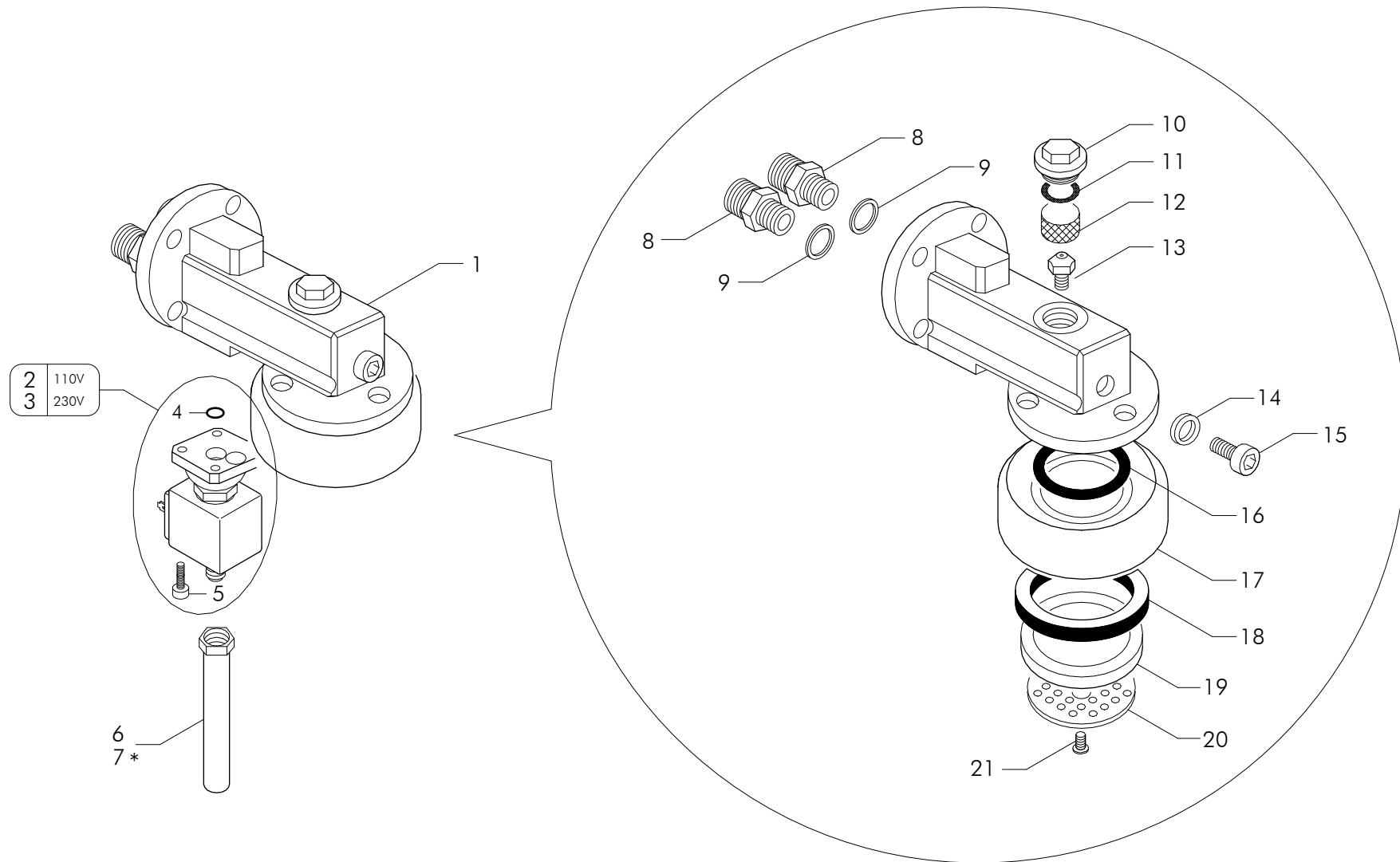
Pos	Code	Denominazione - IT -	Denomination - EN -	Denomination - FR -	Denomination - DE -
1	25763338	ASSIEME TUBO VAPORE INOX 6x8 + CORPO	STEAM TUBE 6X8 S.STEEL + TAP BODY	TUYAU VAPEUR 6X8 INOX + CORPS	DAMPF ROHR STAHL + KORPER
2	25763079	SPRUZZATORE VAPORE INOX	STEAM SPRAYER INOX M8	ATOMISEUR VEPEUR INOX M8	DAMPFDUSE STAHL M8
3	12662000	GUARNIZIONE SPRUZZATORE	GASKET OR	JOINT OR	DICHTUNG OR
4	25657	RONDELLA MOLLA VAPORE	STEAM SPRING WASHER	RONDELLE RESSORT VAPEUR	SCHEIBE FUR DAMPFEDER
5	12661	GUARNIZIONE OR CON LUNETTA P.MOLLA	OR REST FOR ST.STEEL STEAM PIPE	OR LUNETTE P.RESSORT TUYAU VAP. INOX	HALBE OR-DICHT.F.FEDER DAMPFROHR ED
6	15191000	RONDELLA TEFLON DADO CANNA VAPORE	TEFLON BUSHEL FOR STEAM PIPE NUT	JOINT TEFLON	TEFLON-DICHTUNG
7	10465001	MOLLA De 11,4 Df1,7 AISI 302	STEAM SPRING S.STEEL	RESSORT AISI	DAMPF HAHNFEDEN STAHL
8	12010	GUARNIZIONE TEFLON ACQUA/VAPORE 20x17x2	PIPE GASKET TEFLON 20x17x2	JOINT TUYAU TEFLON EAU/VAP TEFLON	TEFLON-DICHTUNG WASSER/VAP 20x17x2
9	53003	CORPO RUBINETTO	TAP BODY	CORPS DE ROBINET	HAHNKORPER
10	25384	DADO OTTONE M26x1.5	BRASS NUT 26X1.5	ECROU LAITON 26X1.5	MESSING-MUTTER 26X1.5
11	12158	GUARNIZIONE 26x20.5x2	GASKET 26x20.5x2	JOINT 26x20.5x2	DICHTUNG 26x20.5x2
12	23050	DADO OTTONE M3	BRASS NUT M3	ECROU LAITON M3	MESSING-MUTTER M3
13	12203	GUARNIZIONE HNBR 15x4x4	RUBBER GASKET 15x4x4	JOINT EN CAOUTCHOUC 15X4X4	GUMMIDICHTUNG 15x4x4
14	25616	PISTONCINO RUBINETTO	TAP JUMPER	PISTON ROBINET	HAHNKOLBEN
15	25655052	DISCHETTO ASTA RUBINETTO	DISKETTE TAP ROS	DISQUETTE TIGE ROBINET	DISKETTE
16	25311	ASTA RUBINETTO L109 CROMATA	CHROMED TAP ROD 109L	TIGE ROBINET L109 CHROMEE	VERCHROMTE HAHNSTANGE L109
17	10001	ANELLO ARRESTO D6 INOX	STEEL CIRCLIP	CIRCLIP INOX	STAHLHALTENRING
18	25461	GHIERA RUBINETTO	TAP RING NUT	EMBOUT ROBINET	HAHNZWINGE
19	25678001	RACCORDO RUBINETTO	TAP FITTING	RACCORD ROBINET	HAHNANSCHLUSSTUCK
20	12204	GUARNIZIONE GOMMA RUBINETTO 12.5x7.5x9	TAP RUBBER GASKET 12.5x7.5x9	JOINT CAOUTCHOUC ROB. 12.5X7.5X9	HAHNDICHTUNG 12.5x7.5x9
21	25655	RONDELLA RUBINETTO	TAP WASHER	RONDELLE ROBINET	HAHNSCHEIBE
22	10452	MOLLA RUBINETTO ACQUA/VAPORE N4	WATER/STEAM TAP SPRING N4	RESSORT DE ROBINET EAU-VAPEUR N4	WASSER/DAMPF HAHNFEDER N4
23	25385001	DADO PREMISTOPPA RUBINETTO + RONDELLA	TAP STUFFING NUT	ECROU DE PRESSE-ETOUPE ROBINET	STOPFBUCHSE MUTTER - HAHN
24	56102R	ASSIEME RUBINETTO H2O/VAPORE	STEAM/WATER TAP UNIT	ROBINET EAU VAPEUR	WASSER/DAMPF HAHNSATZ
25	15296000	GOMMINO ANTISCOTTATURA D-8	ANTI-BURNING RUBBER D-8	ELEMENT ANTI-BRULURE D-8	GUMMI GEGEN VERBRENNUNGEN F. D-8
26	56119183	TUBO ACQUA FISSA	WATER TUBE	TUYAU EAU	WASSER ROHR
27	25010001	FILTRO SPRUZZATORE ACQUA	SPRINKLER WATER FILTER	FILTRE ATOMISEUR EAU	SPRINKLER-WASSERFILTER
28	25763142	SPRUZZATORE ACQUA INOX	EXTERNAL WATER NOZZLE	ATOMISEUR D'EAU EXTERIEUR	WASSERDUSE CHROM DAMPF



NOTE:

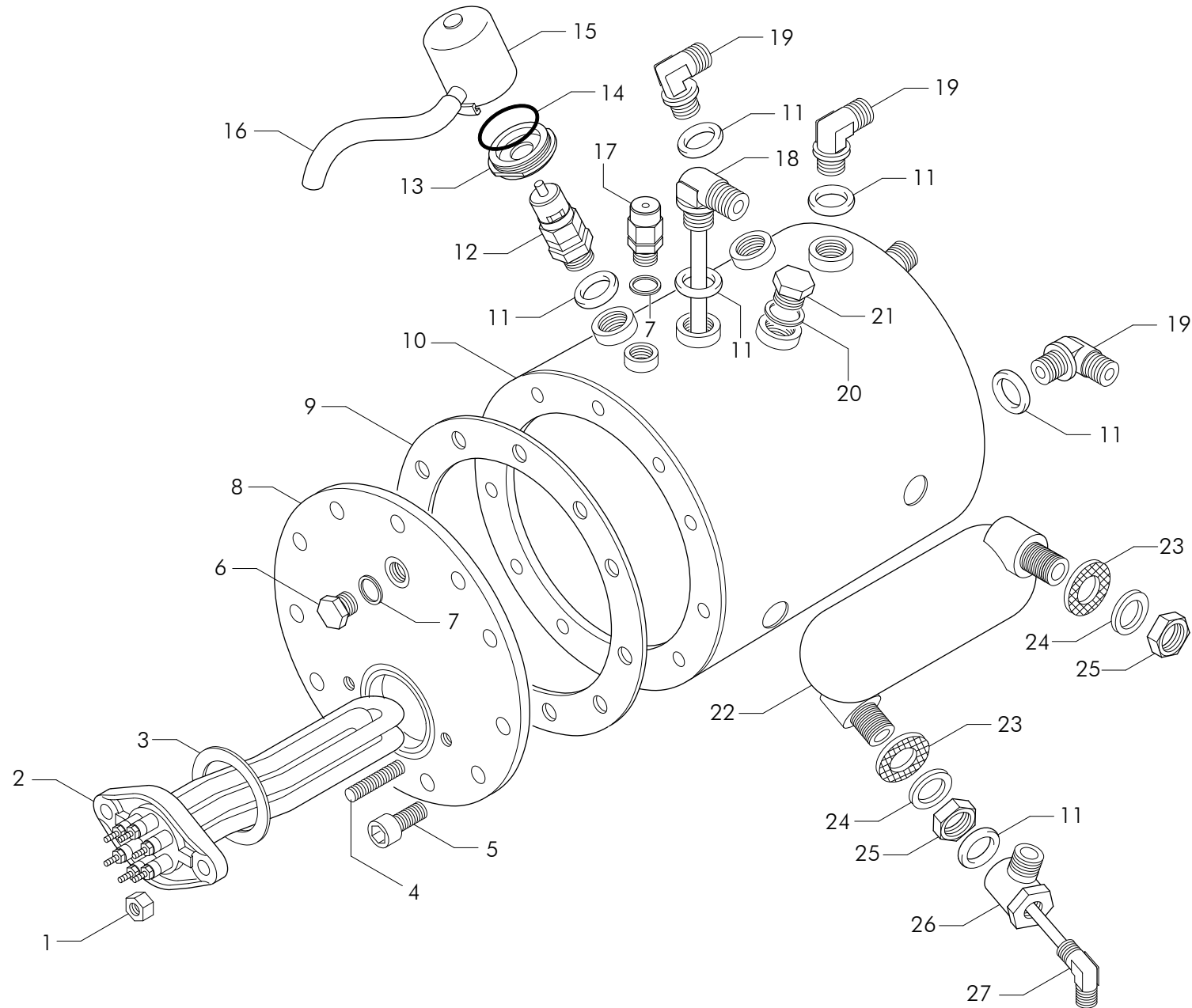
- CON IL COMPONENTE 10 DEVE ESSERE ORDINATO ANCHE IL 11
- WITH COMPONENT 10 MUST BE ORDERED 11 TOO

Pos	Code	Denominazione - IT -	Denomination - EN -	Denomination - FR -	Denomination - DE -
1	56119183	TUBO ACQUA FISSA	WATER TUBE	TUYAU EAU	WASSER ROHR
2	25763142	SPRUZZATORE ACQUA INOX	EXTERNAL WATER NOZZLE	ATOMISEUR D'EAU EXTERIEUR	WASSERDÜSE CHROM
3	25010001	FILTRO SPRUZZATORE ACQUA	SPRINKLER WATER FILTER	FILTRE ATOMISEUR EAU	SPRINKLER-WASSERFILTER
4	12010	GUARNIZIONE TEFLON ACQUA/VAPORE 20x17x2	PIPE GASKET TEFLON 20x17x2	JOINT TUYAU TEFLON EAU/VAP TEFLON	TEFLON-DICHTUNG WASSER/VAP 20x17x2
5	53003	CORPO RUBINETTO	TAP BODY	CORPS DE ROBINET	HAHNKÖRPER
6	25384	DADO OTTONE M26x1.5	BRASS NUT 26X1.5	ECROU LAITON 26X1.5	MESSING-MUTTER 26X1.5
7	12158	GUARNIZIONE 26x20.5x2	GASKET 26x20.5x2	JOINT 26x20.5x2	DICHTUNG 26x20.5x2
8	23050	DADO OTTONE M3	BRASS NUT M3	ECROU LAITON M3	MESSING-MUTTER M3
9	12203	GUARNIZIONE HNBR 15x4x4	RUBBER GASKET 15x4x4	JOINT EN CAOUTCHOUC 15X4X4	GUMMIDICHTUNG 15x4x4
10	25616	PISTONCINO RUBINETTO	TAP JUMPER	PISTON ROBINET	HAHNKOLBEN
11	25655052	DISCHETTO ASTA RUBINETTO Sp.1mm	DISKETTE TAP ROD	DISQUETTE TIGE ROBINET	DISKETTE
12	25311	ASTA RUBINETTO L109 CROMATA	CHROMED TAP ROD 109L	TIGE ROBINET L109 CHROMEE	VERCHROMTE HAHNSTANGE L109
13	10001	ANELLO ARRESTO D6 INOX	STEEL CIRCLIP	CIRCLIP INOX	STAHLHALTENRING
14	25461	GHIERA RUBINETTO	TAP RING NUT	EMBOUT ROBINET	HAHNZWINGE
15	25678001	RACCORDO RUBINETTO	TAP FITTING	RACCORD ROBINET	HAHNANSCHLUSSTUCK
16	12204	GUARNIZIONE GOMMA RUBINETTO 12.5x7.5x9	TAP RUBBER GASKET 12.5x7.5x9	JOINT CAOUTCHOUC ROB. 12.5X7.5X9	HAHNDICHTUNG 12.5x7.5x9
17	25655	RONDELLA RUBINETTO	TAP WASHER	RONDELLE ROBINET	HAHNSCHEIBE
18	10452	MOLLA RUBINETTO ACQUA/VAPORE N4	WATER/STEAM TAP SPRING N4	RESSORT DE ROBINET EAU-VAPEUR N4	WASSER/DAMPF HAHNFEDER N4
19	25385001	DADO PREMISTOPPA RUBINETTO + RONDELLA	TAP STUFFING NUT	ECROU DE PRESSE-ETOUPE ROBINET	STOPFBUCHSE MUTTER - HAHN
20	56102R	ASSIEME RUBINETTO H20/VAPORE	STEAM/WATER TAP UNIT	ROBINET EAU VAPEUR	WASSER/DAMPF HAHNSATZ



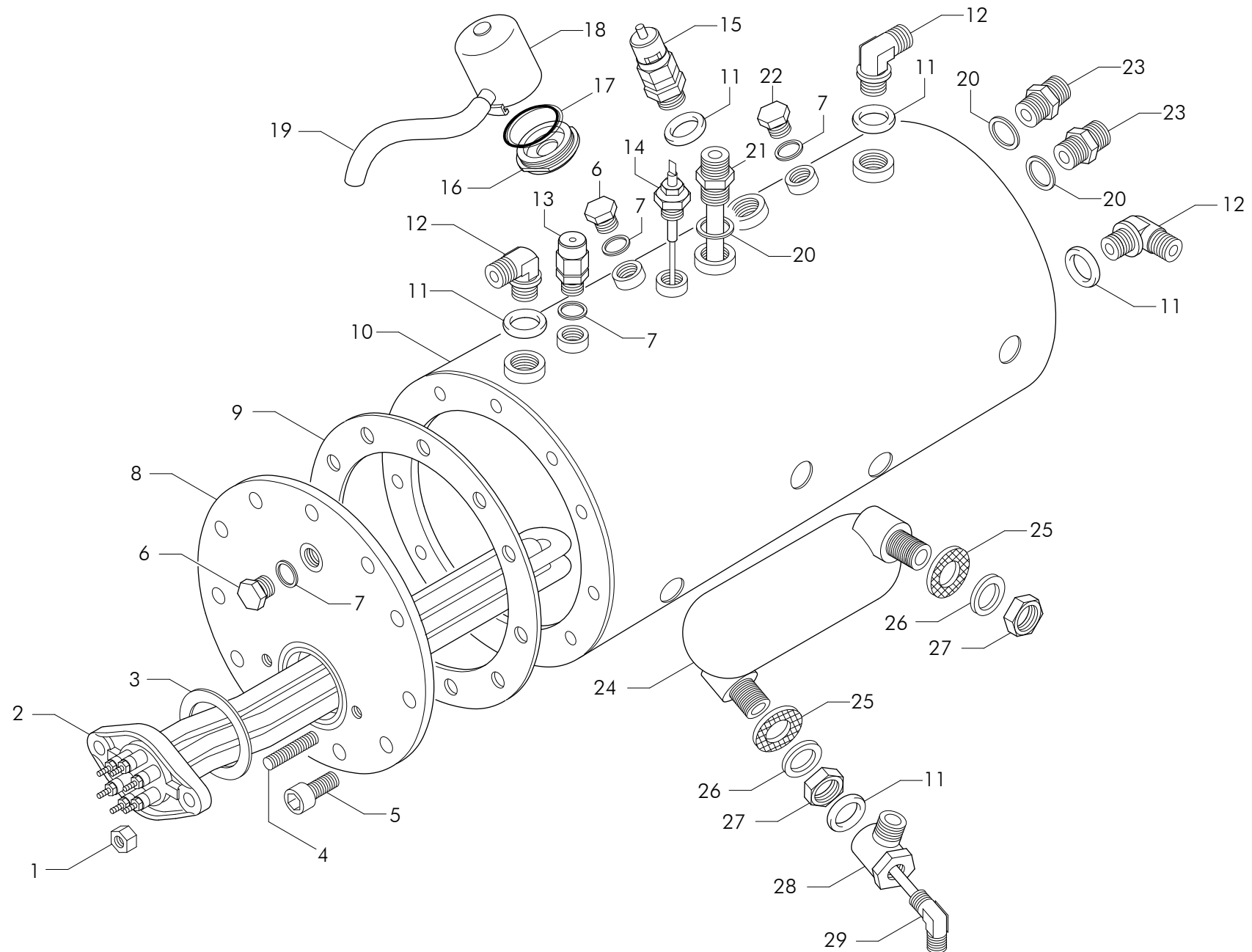
* Gruppo ALTO - RAISED group

Pos	Code	Denominazione - IT -	Denomination - EN -	Denomination - FR -	Denomination - DE -
1	4856082100	GRUPPO SC.PASS.NEUTRO	GROUP SET	GROUPE	GRUPPE
2	834718181015R	KIT ELETTROVALVOLA GRUPPO 110-120V NSF	KIT GROUP SOLENOID VALVE 110-120V NSF	KIT ELECTROVANNE GROUPE 110-120V NSF	KIT MAGNETVENTIL GRUPPE 110-120V NSF
3	834918151R	KIT ELETTROVALVOLA GRUPPO 230V	GROUP SOLENOID VALVE 230V KIT	KIT ELECTROVANNE GROUPE 230V	MAGNETVENTIL GRUPPE KIT 230V
4	12305	GUARNIZIONE OR	O RING	JOINT OR	O-RINGDICHT
5	23551	VITE TCEI INOX 4x12	STEEL SCREW TCCE 4x12	VIS INOX TCCE 4x12	STAHLSCHRAUBE TCCE 4x12
6	52000168	TUBO D-12 L.92	TUBE D-12 L.92	TUYAU D-12 L.92	ROHR D-12 L.92
7	52000194	TUBO D-12 L.132	TUBE D-12 L.132	TUYAU D-12 L.132	ROHR D-12 L.132
8	4925716001	RACCORDO 3/8x1/4 SEDE TUBO 10	CONNECTOR 3/8x1/4	RACCORD 3/8x1/4	FITTING 3/8x1/4
9	12153	GUARNIZIONE RAME 1/4 17x13.3x1.5	GASKET 1/4 17x13.3x1.5 COPPER	JOINT CUIVRE 1/4 17x13.3x1.5	KUPFERDICHTUNG 1/4 17x13.3x1.5
10	4825789	TAPPO GRUPPO EROGAZIONE	DISTRIBUTION GROUP CAP	BOUCHON GROUPE DEBIT	STOPFEN DER ABGABEGRUPPE
11	12303	GUARNIZIONE OR	O RING GASKET	JOINT OR	OR DICHTUNG
12	10252	FILTRO PER GRUPPO 10.5x13.5x11	GROUP FILTER 10.5x13.5x11	FILTRE POUR GROUPE 10.5x13.5x11	GRUPPENFILTER 10.5x13.5x11
13	4810300001	GIGLER OTTONE PER GRUPPO D. 0,7	BRASS GROUP JET D 0.7	GIGLEUR LAITON POUR GROUPE D 0.7	VERMESSINGTE GRUPPENDUSE D 0.7
14	12155	GUARNIZIONE RAME 8.5x5x1	COPPER GASKET 8.5X5X1	JOINT CU 8.5X5X1	CU DICHTUNG 8.5x5x1
15	23552	VITE TCEI INOX 5x10	STEEL SCREW TCCE 5X10	VIS INOX TCCE 5X10	STAHLSCHRAUBE TCCE 5x10
16	12304	GUARNIZIONE OR	O RING GASKET	JOINT OR	OR DICHTUNG
17	4825250	ANELLO AGGANCIATORE	CLAMPING RING	SABOT	GRUPPENRING
18	12215	GUARN.GOMMA S.COPPA 72x56x8.5 MAGGIOR.	LARGER SIZED FILTER SUPPORT RUBBER	JOINT CAOUTCHOUC SOUCOUCPE 72x56x8.5	FILTERHALTER-GUMMIDICH. 72x56x8.5 GROSS
18	12217	GUARN.GOMMA S.COPPA 72x56x8 NORMALE	STANDARD SIZE FILTER SUPPORT GASKET	JOINT CAOUTCHOUC SOUCOUCPE 72x56x8 N	FILTERHALTER-GUMMIDICH.72x56x8 NORMAL
19	4825627	PORTADOCCHETTA GRUPPO EROGAZIONE	WATER SPOUT UNIT SUPPORT	PORTE-DOUCHETTE GROUPE DISTRIBUTION	DUSCHTRAGER VERSORGUNGSEINHEIT
20	27100	DOCCHETTA GRUPPO	GROUP SHOWER PLATE	DOUCHETTE GROUPE	DUSCHE VERTEILEREINHEIT
21	23510	VITE TPS INOX 5x14 TAGLIO CACC.	5x14 STAINLESS STEEL FLATHEAD SCREW	VIS TPS INOX 5x14 DE TOURNEVIS	SCHRAUBE TPS rostfrei5x14 SCHRAUBEN



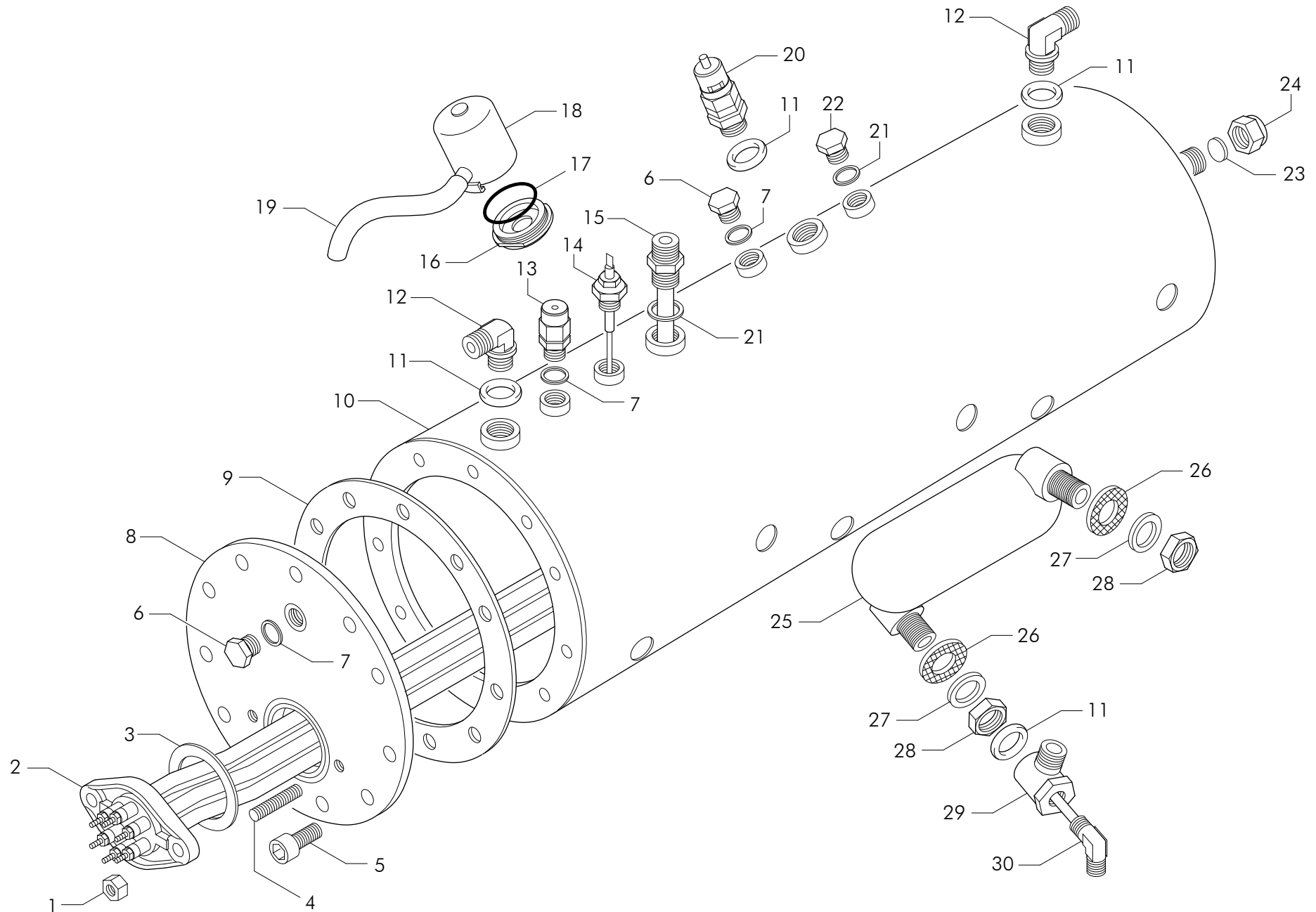
1GR

Pos	Code	Denominazione - IT -	Denomination - EN -	Denomination - FR -	Denomination - DE -
1	23049	DADO OTTONE M8	BRASS NUT M8	ECROU LAITON M8	MESSING-SCHRAUBENMUTTER M8
2	17001	RESISTENZA 1GR 4P 120V 2000W	HEATING ELEMENT 1GR 110V-2000W	RESISTANCE ELECTRIQUE 1GR 110V2000W	HEIZKORPER 1 GR 110V 2000W
2	4617012	RESISTENZA 1GR 6P 230/240V 2700/2940W	HEATING ELEM.1GR 230/240V 2700/2940W	RESISTANCE 1GR 230/240V 2700/2940W	HEIZKORPER 1GR 230/240V 2700/2940W
3	12001	GUARNIZIONE TEFLON 58x43x2	TEFLON GASKET 58x43x2	JOINT TEFLON 58x43x2	TEFLON DICHTUNG 58x23x2
4	23133	PRIGIONIERO INOX 8x40	STAINLESS STEEL BOLT 8x40	VIS INOX 8x40	STAHLSCHRAUBE 8x40 8x40
5	23556	VITE TCEI INOX 10x20	STEEL SCREW TCCE 10X20	VIS INOX TCCE 10X20	STAHLSCHRAUBE TCCE 10x20
6	25780	TAPPO MASCHIO OTTONE 1/4	BRASS MALE CAP 1/4	BOUCHON MALE LAITON 1/4	MESSING-STOPFEN 1/4
7	12153	GUARNIZIONE RAME 1/4 17x13.3x1.5	GASKET 1/4 17x13.3x1.5 COPPER	JOINT CUIVRE 1/4 17x13.3x1.5	KUPFERDICHTUNG 1/4 17x13.3x1.5
8	53011	FLANGIA	FLANGE	BRIDE	FLANSCH
9	12003	GUARNIZIONE CALDAIA	BOILER GASKET	JOINT CHAUDIERE	KESSELDICHTUNG
10	62020007	CALDAIA 1GR CTS	1GR CTS BOILER	CHAUDIERE 1GR CTS	KESSEL 1GR CTS
11	12101	GUARNIZIONE RAME 3/8 22x17x3	GASKET COPPER 3/8 22x17x3	JOINT CUIVRE 3/8 22x17x3	KUPFERDICHTUNG 3/8 22x17x3
12	20352	VALVOLA DI SICUREZZA *CE*	*CE* SAFETY VALVE	SOUPAPE DE SECURITE *CE*	SICHERHEITSVENTIL *CE*
13	15006001	FLANGIA VALVOLA SICUREZZA	FLANGE VALVE	JOINT VANNE	FLANSCH VENTIL
14	12300000	GUARNIZIONE OR	GASKET O RING	JOINT OR	OR DICHTUNG
15	56009980	ASSIEME PROTEZIONE VALVOLE SICUREZZA	UNIT PROTECTION VALVE	ENSEMBLE PROTECTION VANNE	SATZ-SCHUTZGITTER VENTIL
16	15478002	TUBO SILICONE 8x11 L.70cm	SILICONE TUBE 8x11 L.70cm	TUYAU SILICONE 8x11 L.70cm	SILIKONROHR 8x11 L.70cm
17	56150	VALVOLA ANTIRISUCCHIO V.A.R.	ANTI-EDDY VALVE V.A.R.	SOUPAPE ANTI-DEPRESSION V.A.R.	VENTIL UNTERDRUCKFREI V.A.R.
18	52000119	TUBO D-10 L.125 PESCANTE L	TUBE D-10 L.125	TUYAU D-10 L.125	ROHR D-10 L.125
19	20251	SONDA LIVELLO L.125	LEVEL PROBE L.125	JAUG L.125	PEGELFUHLER L.125
20	25780	TAPPO MASCHIO OTTONE 1/4	BRASS MALE CAP 1/4	BOUCHON MALE LAITON 1/4	MESSING-STOPFEN 1/4
21	12154	GUARNIZIONE CU 3/8 22x17x1.5	GASKET COPPER 3/8 22x17x1,5	JOINT CUIVRE 3/8 22x17x1.5	KUPFERDICHTUNG 3/8 22x17x1.5
22	43052	RACCORDO "L" 3/8	CONNECTOR 'L' 3/8	RACCORD 'L' 3/8	ANSCHLUSS 'L' 3/8
23	25687	RACCORDO 3/8x3/8 GAS	3/8x3/8 GAS FITTING	RACCORD 3/8x3/8 GAZ	ANSCHLUSS 3/8x3/8 GAS
24	63200002	SCAMBIATORE CIRC.TERMOSIFONICA D-80	EXCHANGER WITH THERMOSIPH.CIRCULATI D-80	ECHANG. CIRCUL. A THERMOSIPHON D-80	AUSTAUSCHER MIT ROHREN D-80
25	12005	GUARNIZIONE 28x17x2	GASKET 28X17X2	JOINT 28X17X2	DICHTUNG 28x17x2
26	25651	RONDELLA OTTONE 3/8	BRASS WASHER 3/8	RONDELLE LAITON 3/8	MESSINGSCHLEIBE 3/8
27	25356	CONTRODADO OTTONE 3/8	BRASS LOCK NUT 3/8	CONTRE-ECROU LAITON 3/8	MESSING-GEGENMUTTER 3/8
28	43030001	RACCORDO INIETTORE 3/8Fx3/8Mx14F	3/8Fx3/8Mx14F INJECTOR FITTING	RACC. INJECTEUR 3/8Fx3/8Mx14F	ANSCHLUSS EINSPRITZER 3/8Fx3/8Mx14F
29	52000410	TUBO D-6 L.85	TUBE D-6 L.85	TUYAU D-6 L.85	ROHR D-6 L.85



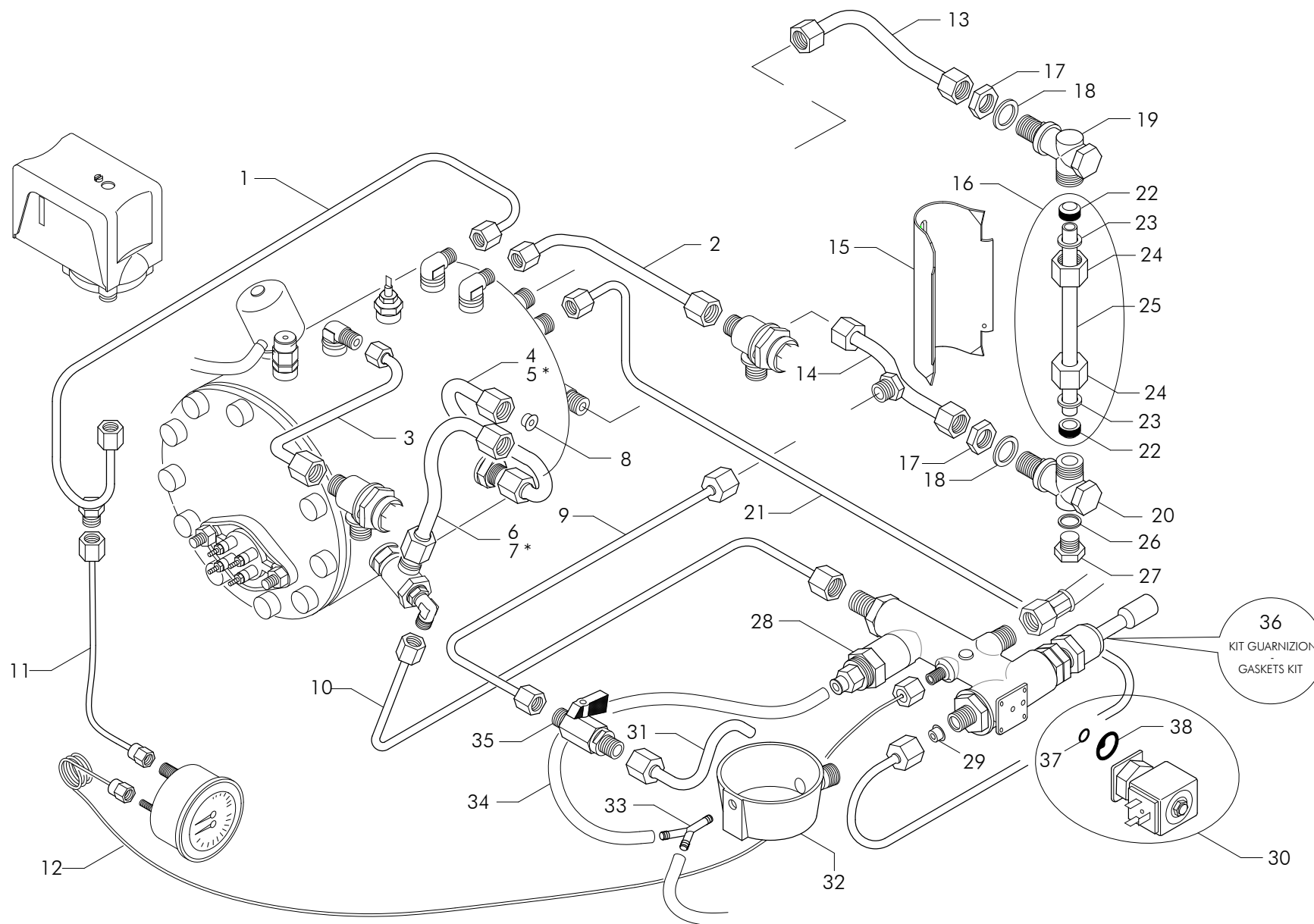
2GR

Pos	Code	Denominazione - IT -	Denomination - EN -	Denomination - FR -	Denomination - DE -
1	23049	DADO OTTONE M8	BRASS NUT M8	ECROU LAITON M8	MESSING-SCHRAUBENMUTTER M8
2	4617050	RESISTENZA 2GR 4P 120V 2600W	HEATING ELEM. 2GR 4P 120V 2600W	RESISTANCE 2GR 4P 120V 2600W	HEIZKORPER 2GR 4P 120V 2600W
2	4617059	RESISTENZA 2GR 230/240V 3400/3700W	HEATING EL.2GR 220/240V 3400/3700W	RESISTANCE 2GR 220/240V 3400/3700W	HEIZKORPER 2GR 220/240V 3400/3700W
3	12001	GUARNIZIONE TEFLON 58x43x2	TEFLON GASKET 58x43x2	JOINT TEFLON 58x43x2	TEFLON DICHTUNG 58x23x2
4	23133	PRIGIONIERO INOX 8x40	STAINLESS STEEL BOLT 8x40	VIS INOX 8x40	STAHLSCHRAUBE 8x40 8x40
5	23556	VITE TCEI INOX 10x20	STEEL SCREW TCCE 10X20	VIS INOX TCCE 10X20	STAHLSCHRAUBE TCCE 10x20
6	25780	TAPPO MASCHIO OTTONE 1/4	BRASS MALE CAP 1/4	BOUCHON MALE LAITON 1/4	MESSING-STOPFEN 1/4
7	12153	GUARNIZIONE RAME 1/4 17x13.3x1.5	GASKET 1/4 17x13.3x1.5 COPPER	JOINT CUIVRE 1/4 17x13.3x1.5	KUPFERDICHTUNG 1/4 17x13.3x1.5
8	53011	FLANGIA	FLANGE	BRIDE	FLANSCH
9	12003	GUARNIZIONE CALDAIA	BOILER GASKET	JOINT CHAUDIERE	KESSELDICHTUNG
10	62143004	CALDAIA 2GR CTS AEA	2GR CTS AEA BOILER	CHAUDIERE 2GR CTS AEA	KESSEL 2GR CTS AEA
11	12101	GUARNIZIONE RAME 3/8 22x17x3	GASKET COPPER 3/8 22x17x3	JOINT CUIVRE 3/8 22x17x3	KUPFERDICHTUNG 3/8 22x17x3
12	43052	RACCORDO "L" 3/8	CONNECTOR 'L' 3/8	RACCORD 'L' 3/8	ANSCHLUSS 'L' 3/8
13	56150	VALVOLA ANTIRISUCCHIO V.A.R.	ANTI-EDDY VALVE V.A.R.	SOUPAPE ANTI-DEPRESSION V.A.R.	VENTIL UNTERDRUCKFREI V.A.R.
14	20251	SONDA LIVELLO L.125	LEVEL PROBE L.125	JAUG L.125	PEGELFUHLER L.125
15	20352	VALVOLA DI SICUREZZA *CE*	*CE* SAFETY VALVE	SOUPAPE DE SECURITE *CE*	SICHERHEITSVENTIL *CE*
16	15006001	FLANGIA VALVOLA SICUREZZA	FLANGE VALVE	JOINT VANNE	FLANSCH VENTIL
17	12300000	GUARNIZIONE OR	GASKET O RING	JOINT OR	OR DICHTUNG
18	56009980	ASSIEME PROTEZIONE VALVOLE SICUREZZA	UNIT PROTECTION VALVE	ENSEMBLE PROTECTION VANNE	SATZ-SCHUTZGITTER VENTIL
19	15478002	TUBO SILICONE 8x11 L.70cm	SILICONE TUBE 8x11 L.70cm	TUYAU SILICONE 8x11 L.70cm	SILIKONROHR 8x11 L.70cm
20	12154	GUARNIZIONE CU 3/8 22x17x1.5	GASKET COPPER 3/8 22x17x1,5	JOINT CUIVRE 3/8 22x17x1.5	KUPFERDICHTUNG 3/8 22x17x1.5
21	52001612	TUBO D-10 L.115	TUBE D-10 L.115	TUYAU D-10 L.115	ROHR D-10 L.115
22	25785	TAPPO MASCHIO 3/8	MALE CAP 3/8	BOUCHON MALE 3/8	STOPFEN 3/8
23	25687	RACCORDO 3/8x3/8 GAS	3/8x3/8 GAS FITTING	RACCORD 3/8x3/8 GAZ	ANSCHLUSS 3/8x3/8 GAS
24	63200002	SCAMBIATORE CIRC.TERMOSIFONICA D-80	EXCHANGER WITH THERMOSIPH.CIRCULATI D-80	ECHANG. CIRCUL. A THERMOSIPHON D-80	AUSTAUSCHER MIT ROHREN D-80
25	12005	GUARNIZIONE 28x17x2	GASKET 28X17X2	JOINT 28X17X2	DICHTUNG 28x17x2
26	25651	RONDELLA OTTONE 3/8	BRASS WASHER 3/8	RONDELLE LAITON 3/8	MESSINGSCHIEBE 3/8
27	25356	CONTRODADO OTTONE 3/8	BRASS LOCK NUT 3/8	CONTRE-ECROU LAITON 3/8	MESSING-GEGENMUTTER 3/8
28	43030001	RACCORDO INIETTORE 3/8Fx3/8Mx14F	3/8Fx3/8Mx14F INJECTOR FITTING	RACC. INJECTEUR 3/8Fx3/8Mx14F	ANSCHLUSS EINSPRITZER 3/8Fx3/8Mx14F
29	52000410	TUBO D-6 L.85	TUBE D-6 L.85	TUYAU D-6 L.85	ROHR D-6 L.85



3GR

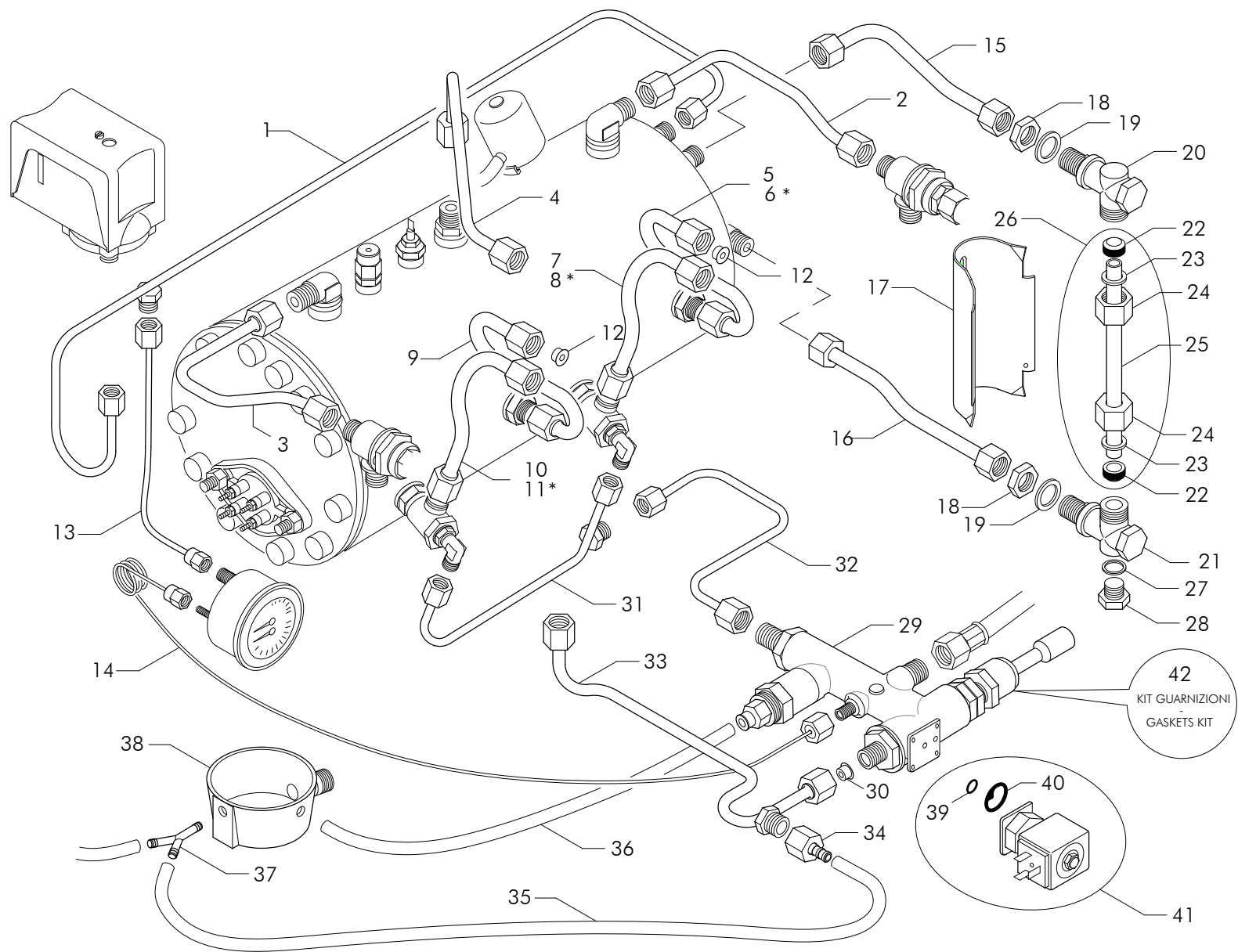
Pos	Code	Denominazione - IT -	Denomination - EN -	Denomination - FR -	Denomination - DE -
1	23049	DADO OTTONE M8	BRASS NUT M8	ECROU LAITON M8	MESSING-SCHRAUBENMUTTER M8
2	4617107	RESISTENZA 3GR 6P 230/240V 5000/5440W CW51	HEATING EL. 3GR 220/240V 5000/5440 6P	RESISTANCE 3GR 220/240V 5000/5440W	HEIZKORPER 3GR 220/240V 5000/5440W
3	12001	GUARNIZIONE TEFLON 58x43x2	TEFLON GASKET 58x43x2	JOINT TEFLON 58x43x2	TEFLON DICHTUNG 58x23x2
4	23133	PRIGIONIERO INOX 8x40	STAINLESS STEEL BOLT 8x40	VIS INOX 8x40	STAHLSCHRAUBE 8x40 8x40
5	23556	VITE TCEI INOX 10x20	STEEL SCREW TCCE 10X20	VIS INOX TCCE 10X20	STAHLSCHRAUBE TCCE 10x20
6	25780	TAPPO MASCHIO OTTONE 1/4	BRASS MALE CAP 1/4	BOUCHON MALE LAITON 1/4	MESSING-STOPFEN 1/4
7	12153	GUARNIZIONE RAME 1/4 17x13.3x1.5	GASKET 1/4 17x13.3x1.5 COPPER	JOINT CUIVRE 1/4 17x13.3x1.5	KUPFERDICHTUNG 1/4 17x13.3x1.5
8	53011	FLANGIA	FLANGE	BRIDE	FLANSCH
9	12003	GUARNIZIONE CALDAIA	BOILER GASKET	JOINT CHAUDIERE	KESSELDICHTUNG
10	62250005	CALDAIA 3GR CTS	3GR CTS BOILER	CHAUDIERE 3GR CTS	KESSEL 3GR CTS
11	12101	GUARNIZIONE RAME 3/8 22x17x3	GASKET COPPER 3/8 22x17x3	JOINT CUIVRE 3/8 22x17x3	KUPFERDICHTUNG 3/8 22x17x3
12	43052	RACCORDO "L" 3/8	CONNECTOR 'L' 3/8	RACCORD 'L' 3/8	ANSCHLUSS 'L' 3/8
13	56150	VALVOLA ANTIRISUCCHIO V.A.R.	ANTI-EDDY VALVE V.A.R.	SOUPAPE ANTI-DEPRESSION V.A.R.	VENTIL UNTERDRUCKFREI V.A.R.
14	20251	SONDA LIVELLO L.125	LEVEL PROBE L.125	JAUG L.125	PEGELFUHLER L.125
15	52001612	TUBO D-10 L.115	TUBE D-10 L.115	TUYAU D-10 L.115	ROHR D-10 L.115
16	15006001	FLANGIA VALVOLA SICUREZZA	FLANGE VALVE	JOINT VANNE	FLANSCH VENTIL
17	12300000	GUARNIZIONE OR	GASKET O RING	JOINT OR	OR DICHTUNG
18	56009980	ASSIEME PROTEZIONE VALVOLE SICUREZZA	UNIT PROTECTION VALVE	ENSEMBLE PROTECTION VANNE	SATZ-SCHUTZGITTER VENTIL
19	15478002	TUBO SILICONE 8x11 L.70cm	SILICONE TUBE 8x11 L.70cm	TUYAU SILICONE 8x11 L.70cm	SILIKONROHR 8x11 L.70cm
20	20352	VALVOLA DI SICUREZZA *CE*	*CE* SAFETY VALVE	SOUPAPE DE SECURITE *CE*	SICHERHEITSENTIL *CE*
21	12154	GUARNIZIONE CU 3/8 22x17x1.5	GASKET COPPER 3/8 22x17x1,5	JOINT CUIVRE 3/8 22x17x1.5	KUPFERDICHTUNG 3/8 22x17x1.5
22	25785	TAPPO MASCHIO 3/8	MALE CAP 3/8	BOUCHON MALE 3/8	STOPFEN 3/8
23	12402	GUARNIZIONE PASTICCA 15x3	GASKET 15x3	JOINT 15x3	DICHTUNG 15x3
24	25781	TAPPO FEMMINA 3/8	FEMALE CAP 3/8	BOUCHON FEMELLE 3/8	STOPFEN 3/8
25	63200002	SCAMBIATORE CIRC.TERMOSIFONICA D-80	EXCHANGER WITH THERMOSIPH.CIRCULATI D-80	ECHANG. CIRCUL. A THERMOSIPHON D-80	AUSTAUSCHER MIT ROHREN D-80
26	12005	GUARNIZIONE 28x17x2	GASKET 28X17X2	JOINT 28X17X2	DICHTUNG 28x17x2
27	25651	RONDELLA OTTONE 3/8	BRASS WASHER 3/8	RONDELLE LAITON 3/8	MESSINGSCHLEIBE 3/8
28	25356	CONTRODADO OTTONE 3/8	BRASS LOCK NUT 3/8	CONTRE-ECROU LAITON 3/8	MESSING-GEGENMUTTER 3/8
29	43030001	RACCORDO INIETTORE 3/8Fx3/8Mx14F	3/8Fx3/8Mx14F INJECTOR FITTING	RACC. INJECTEUR 3/8Fx3/8Mx14F	ANSCHLUSS EINSPRITZER 3/8Fx3/8Mx14F
30	52000410	TUBO D-6 L.85	TUBE D-6 L.85	TUYAU D-6 L.85	ROHR D-6 L.85



* Gruppo ALTO - RAISED group

AEP 1GR

Pos	Code	Denominazione - IT -	Denomination - EN -	Denomination - FR -	Denomination - DE -
1	52001551	TUBO D-6 L.440	TUBE D-6 L.440	TUYAU D-6 L.440	ROHR D-6 L.440
2	52000416	TUBO D-10 L.270	TUBE D-10 L.270	TUYAU D-10 L.270	ROHR D-10 L.270
3	52000418	TUBO D-8 L.245	TUBE D-8 L.245	TUYAU D-8 L.245	ROHR D-8 L.245
4	52001538	TUBO D-10 L.215	TUBE D-10 L.215	TUYAU D-10 L.215	ROHR D-10 L.215
5	52001545	TUBO D-10 L.220	TUBE D-10 L.220	TUYAU D-10 L.220	ROHR D-10 L.220
6	52001556	TUBO D-10 L.170	TUBE D-10 L.170	TUYAU D-10 L.170	ROHR D-10 L.170
7	52003926	TUBO D-10 L.215	TUBE D-10 L.215	TUYAU D-10 L.215	ROHR D-10 L.215
8	23294001	STROZZATURA RICIRCOLO GR CTS D 2.5	CTS UNIT D 2.5 RECIRC. NECK	ETRANGLEMENT RECYCLAGE GR.D.2.5	ENGSTELLE UMWALZUNG D. 2.5
8	23294003	STROZZATURA RICIRCOLO GR CTS D 4	CTS UNIT D 4 RECIRC. NECK	ETRANGLEMENT RECYCLAGE GR.D.4	ENGSTELLE UMWALZUNG D. 4
9	52001549	TUBO D-8 L.265	TUBE D-8 L.265	TUYAU D-8 L.265	ROHR D-8 L.265
10	52001553	TUBO D-6 L.330	TUBE D-6 L.330	TUYAU D-6 L.330	ROHR D-6 L.330
11	52001588	TUBO D-4 L.410	TUBE D-4 L. 410	TUYAU D-4 L.410	ROHR D-4 L.410
12	52003050	TUBO D-2 L.500	TUBE D-2 L.500	TUYAU D-2 L.500	ROHR D-2 L.500
13	52001547	TUBO D-10 L.180	TUBE D-10 L.180	TUYAU D-10 L.180	ROHR D-10 L.180
14	52001560	TUBO D-10 L.155	TUBE D-10 L.155	TUYAU D-10 L.155	ROHR D-10 L.155
15	44002	COPRILIVELLO VERNICIATO BIANCO	LEVEL INDICATOR COVER PAINTED WHITE	COUVRE-NIVEAU LAQUE BLANC	NIVEAUDECKEL
16	56001	ASSIEME TUBO LIVELLO	LEVEL TUBE UNIT	ENSEMBLE TUBE DE NIVEAU	ROHRSATZ FUR NIVEAU
17	25356	CONTRODADO OTTONE 3/8	BRASS LOCK NUT 3/8	CONTRE-ECROU LAITON 3/8	MESSING-GEGENMUTTER 3/8
18	25651	RONDELLA OTTONE 3/8	BRASS WASHER 3/8	RONDELLE LAITON 3/8	MESSINGSCHIEBE 3/8
19	53002	CORPO LIVELLO SUPERIORE	UPPER LEVEL CONNECTOR	CORPS DE NIVEAU SUPERIEUR	OBERNIVEAUKORPER
20	53001	CORPO LIVELLO INFERIORE	LOWER LEVEL CONNECTOR	CORPS DE NIVEAU INFERIEUR	UNTERNIVEAUKORPER
21	52001550	TUBO D-8 L.750	TUBE D-8 L.750	TUYAU D-8 L.750	ROHR D-8 L.750
22	12200	GUARNIZIONE 16x10x8	GASKET 16X10X8	JOINT 16X10X8	DICHTUNG 16x10x8
23	25652	RONDELLA OTTONE D17.8	BRASS WASHER D.17.8	RONDELLE LAITON D.17.8	MESSING-SCHIEBE D.17.8
24	25383	DADO OTTONE M20x1.5	BRASS NUT 20X1.5	ECROU LAITON 20X1.5	MESSING-MUTTER 20x1.5
25	21300	TUBO VETRO LIVELLO 11x8x170	GLASS LEVEL TUBE 11X8X170	TUBE NIVEAU EN VERRE 11X8X170	NIVEAU GLASROHR 11x8x170
26	12153	GUARNIZIONE RAME 1/4 17x13.3x1.5	GASKET 1/4 17x13.3x1.5 COPPER	JOINT CUIVRE 1/4 17x13.3x1.5	KUPFERDICHTUNG 1/4 17x13.3x1.5
27	25780	TAPPO MASCHIO OTTONE 1/4	BRASS MALE CAP 1/4	BOUCHON MALE LAITON 1/4	MESSING-STOPFEN 1/4
28	61016001	DISTRIBUTORE CARICO ACQUA	WATER DISTRIBUTION BLOCK	DISTRIBUTEUR EAU	WASSER VERTEILER
29	23293012	STROZZATURA D-1.2	NECK D-1.2	ETRANGLEMENT D-1.2	UMWALZUNG D-1.2
30	4718159001	ELETTROVALVOLA 120V 50-60Hz	SOLENOID VALVE 120V 50-60Hz	ELECTROVANNE 120V 50-60Hz	ELEKTROVENTIL 120V 50-60Hz
30	4718159002	ELETTROVALVOLA AEA IN BASE 220/240V 50-60Hz	SOLENOID VALVE 220/240V 50-60Hz	ELECTROVANNE 220/240V 50-60Hz	ELEKTROVENTIL 220/240V 50-60Hz
31	52003427	TUBO D-8 L.115	TUBE D-8 L.115	TUYAU D-8 L.115	ROHR D-8 L.115
32	15502	VASCHETTA SCARICO ROTONDA D 80	ROUND DRAIN BASIN D.80mm	CUVE A VIDANGER RONDE D.80mm	RUNDE ABFLUSSCHALE D.80mm
33	15422010	RACCORDO "Y" POLIPROPILENE D-10	"Y" POLIPROPILENE FITTING	RACCORD "Y" POLIPROPILENE	ANSCHLUSS "Y" POLIPROPILENE
34	15452098	TUBO SILICONE PLATINICO 6x9 L.270	SILICONE TUBE D-6x9 L.270	TUYAU SILICONE D-6x9 L.270	SILIKONROHR D-6x9 L.270
35	20354	VALVOLA CHIUSURA AEA	PRESSURE RELEASE TAP BULK UNIT	CLAPET FERMETURE AUT.ARRIVEE EAU	ABSPERRVENTIL x AUT.WASSERZUFUHR
36	83120005R	KIT GUARNIZIONI DISTRIBUTORE MULTIFUNZ.	GASKET KIT DISTRIBUTOR	KIT JOINT DISTRIBUTEUR	DICHTUNGSSATZ VERTEILER
37	12299002	GUERNIZIONE ROSSA PICCOLA 7GRS03 EV.GRP	RED GASKET	JOINT ROUGE	DICHTUNG ROT
38	12299001	GUARNIZIONE VERDE A GOCCIA 7GRS02 EV.GRP	GASKET	JOINT	DICHTUNG



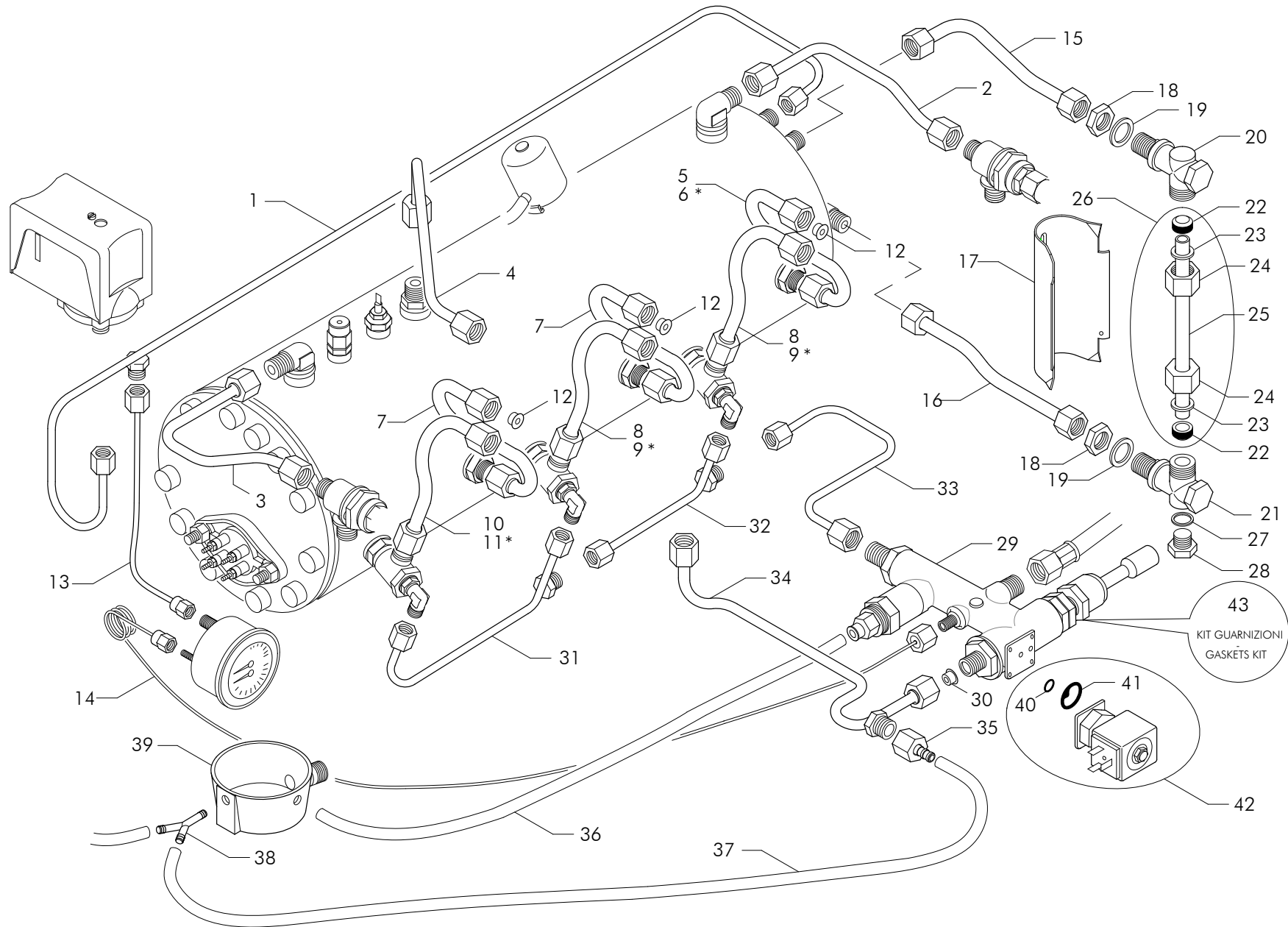
* Gruppo ALTO - RAISED group

AEP 2GR

Pos	Code	Denominazione - IT -	Denomination - EN -	Denomination - FR -	Denomination - DE -
1	52001587	TBS.D-6 L.675 2GR/PA AR221	TUBE D-6 L.675	TUYAU D-6 L.675	ROHR D-6 L.675
2	52000407	TUBO D-10 L.290	TUBE D-10 L.280	TUYAU D-10 L.280	ROHR D-10 L.280
3	52000406	TUBO D-10 L.310	TUBE D-10 L.310	TUYAU D-10 L.310	ROHR D-10 L.310
4	52000408	TUBO D-8 L.300	TUBE D-8 L.300	TUYAU D-8 L.300	ROHR D-8 L.300
5	52001538	TUBO D-10 L.215	TUBE D-10 L.215	TUYAU D-10 L.215	ROHR D-10 L.215
6	52000487	TUBO D-10 L.205	TUBE D-10 L.205	TUYAU D-10 L.205	ROHR D-10 L.205
7	52003927	TUBO D-10 L.190	TUBE D-10 L.190	TUYAU D-10 L.190	ROHR D-10 L.190
8	52001558	TUBO D-10 L.225	TUBE D-10 L.225	TUYAU D-10 L.225	ROHR D-10 L.225
9	52003926	TUBO D-10 L.215	TUBE D-10 L.215	TUYAU D-10 L.215	ROHR D-10 L.215
10	52003925	TUBO D-10 L.160	TUBE D-10 L.160	TUYAU D-10 L.160	ROHR D-10 L.160
11	52001537	TUBO D-10 L.195	TUBE D-10 L.195	TUYAU D-10 L.195	ROHR D-10 L.195
12	23294001	STROZZATURA RICIRCOLO GR CTS D 2.5	CTS UNIT D 2.5 RECIRC. NECK	ETRANGLEMENT RECYCLAGE GR.D.2.5	ENGSTELLE UMWALZUNG D. 2.5
12	23294003	STROZZATURA RICIRCOLO GR CTS D 4	CTS UNIT D 4 RECIRC. NECK	ETRANGLEMENT RECYCLAGE GR.D.4	ENGSTELLE UMWALZUNG D. 4
13	52001588	TUBO D-4 L.410	TUBE D-4 L. 410	TUYAU D-4 L.410	ROHR D-4 L.410
14	52003058	TUBO D-2 L.1000	TUBE D-2 L.1000	TUYAU D-2 L.1000	ROHR D-2 L.1000
15	52001547	TUBO D-10 L.180	TUBE D-10 L.180	TUYAU D-10 L.180	ROHR D-10 L.180
16	52002958	TUBO D-10 L.160	TUBE D-10 L.160 W1/E	TUYAU D-10 L.160 W1/E	ROHR D-10 L.160 W1/E
17	44002	COPRILIVELLO VERNICIATO BIANCO	LEVEL INDICATOR COVER PAINTED WHITE	COUVRE-NIVEAU LAQUE BLANC	NIVEAUDECKEL
18	25356	CONTRODADO OTTONE 3/8	BRASS LOCK NUT 3/8	CONTRE-ECROU LAITON 3/8	MESSING-GEGENMUTTER 3/8
19	25651	RONDELLA OTTONE 3/8	BRASS WASHER 3/8	RONDELLE LAITON 3/8	MESSINGSCHIEBE 3/8
20	53002	CORPO LIVELLO SUPERIORE	UPPER LEVEL CONNECTOR	CORPS DE NIVEAU SUPERIEUR	OBERNIVEAUKORPER
21	53001	CORPO LIVELLO INFERIORE	LOWER LEVEL CONNECTOR	CORPS DE NIVEAU INFERIEUR	UNTERNIVEAUKORPER
22	12200	GUARNIZIONE 16x10x8	GASKET 16X10X8	JOINT 16X10X8	DICHTUNG 16x10x8
23	25652	RONDELLA OTTONE D17.8	BRASS WASHER D.17.8	RONDELLE LAITON D.17.8	MESSING-SCHIEBE D.17.8
24	25383	DADO OTTONE M20x1.5	BRASS NUT 20X1.5	ECROU LAITON 20X1.5	MESSING-MUTTER 20x1.5
25	21300	TUBO VETRO LIVELLO 11x8x170	GLASS LEVEL TUBE 11X8X170	TUBE NIVEAU EN VERRE 11X8X170	NIVEAU GLASROHR 11x8x170
26	56001	ASSIEME TUBO LIVELLO	LEVEL TUBE UNIT	ENSEMBLE TUBE DE NIVEAU	ROHRSATZ FUR NIVEAU
27	12153	GUARNIZIONE RAME 1/4 17x13.3x1.5	GASKET 1/4 17x13.3x1.5 COPPER	JOINT CUIVRE 1/4 17x13.3x1.5	KUPFERDICHTUNG 1/4 17x13.3x1.5
28	25780	TAPPO MASCHIO OTTONE 1/4	BRASS MALE CAP 1/4	BOUCHON MALE LAITON 1/4	MESSING-STOPFEN 1/4
29	61016001	DISTRIBUTORE CARICO ACQUA	WATER DISTRIBUTION BLOCK	DISTRIBUTEUR EAU	WASSER VERTEILER
30	23293012	STROZZATURA D-1.2	NECK D-1.2	ETRANGLEMENT D-1.2	UMWALZUNG D-1.2
31	52000233	TUBO D-6 L.230	TUBE D-6 L.230	TUYAU D-6 L.230	ROHR D-6 L.230
32	52001577	TUBO D-6 L.200	TUBE D-6 L.200	TUYAU D-6 L.200	ROHR D-6 L.200
33	52001563	TUBO D-8 L.410	TUBE D-8 L.410	TUYAU D-8 L.410	ROHR D-8 L.410
34	257396	RACCORDO SCARICO CALDAIA ASSIEMATO	ASSEMBLED BOILER DRAIN JOINT	RACCORD	ANSCHLUSS
35	15452107	TUBO SILICONE PLATINICO 6x9 L.80	SILICONE TUBE D-6x9 L.80	TUYAU SILICONE D-6x9 L.80	SILIKONROHR D-6x9 L.80
36	15452113	TUBO SILICONE PLATINICO 6x9 L.195	SILICONE TUBE D-6x9 L.195	TUYAU SILICONE D-6x9 L.195	SILIKONROHR D-6x9 L.195
37	15422010	RACCORDO "Y" POLIPROPILENE D-10	"Y" POLIPROPILENE FITTING	RACCORD "Y" POLIPROPILENE	ANSCHLUSS "Y" POLIPROPILENE

AEP 2GR

Pos	Code	Denominazione - IT -	Denomination - EN -	Denomination - FR -	Denomination - DE -
38	15502	VASCHETTA SCARICO ROTONDA D 80	ROUND DRAIN BASIN D.80mm	CUVE A VIDANGER RONDE D.80mm	RUNDE ABFLUSSCHALE D.80mm
39	12299002	GUERNIZIONE ROSSA PICCOLA 7GRS03 EV.GRP	RED GASKET	JOINT ROUGE	DICHTUNG ROT
40	12299001	GUARNIZIONE VERDE A GOCCIA 7GRS02 EV.GRP	GASKET	JOINT	DICHTUNG
41	4718159001	ELETTROVALVOLA 120V 50-60Hz	SOLENOID VALVE 120V 50-60Hz	ELECTROVANNE 120V 50-60Hz	ELEKTROVENTIL 120V 50-60Hz
41	4718159002	ELETTROVALVOLA AEA IN BASE 220/240V 50-60H	SOLENOID VALVE 220/240V 50-60Hz	ELECTROVANNE 220/240V 50-60Hz	ELEKTROVENTIL 220/240V 50-60Hz
42	83120005R	KIT GUARNIZIONI DISTRIBUTORE MULTIFUNZ.	GASKET KIT DISTRIBUTOR	KIT JOINT DISTRIBUTEUR	DICHTUNGSSATZ VERTEILER



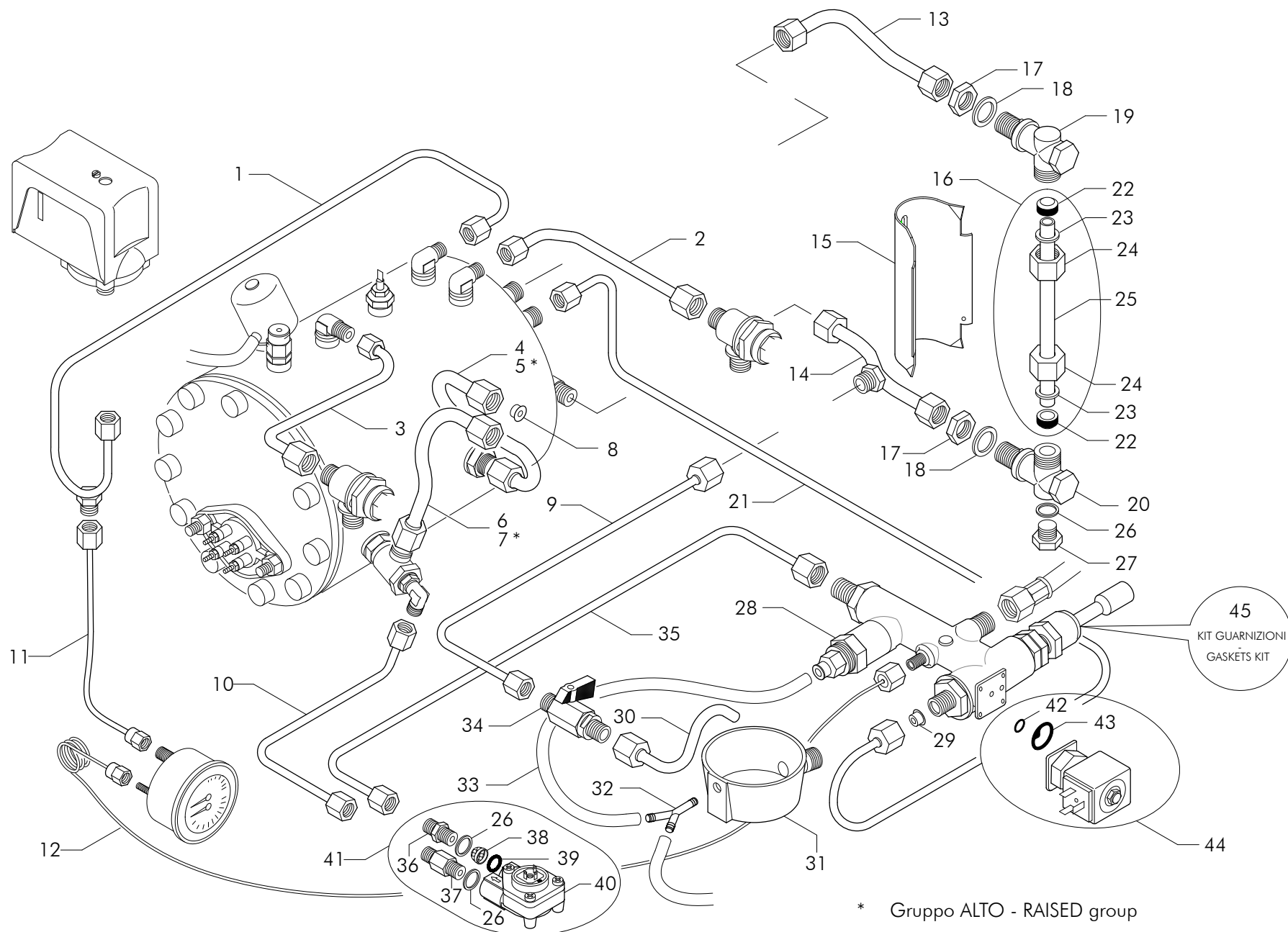
* Gruppo ALTO - RAISED group

AEP 3GR

Pos	Code	Denominazione - IT -	Denomination - EN -	Denomination - FR -	Denomination - DE -
1	52004340	TUBO D-6 L.950	TUBE D-6 L.950	TUYAU D-6 L.950	ROHR D-6 L.950
2	52000407	TUBO D-10 L.290	TUBE D-10 L.280	TUYAU D-10 L.280	ROHR D-10 L.280
3	52000406	TUBO D-10 L.310	TUBE D-10 L.310	TUYAU D-10 L.310	ROHR D-10 L.310
4	52000408	TUBO D-8 L.300	TUBE D-8 L.300	TUYAU D-8 L.300	ROHR D-8 L.300
5	52001538	TUBO D-10 L.215	TUBE D-10 L.215	TUYAU D-10 L.215	ROHR D-10 L.215
6	52000487	TUBO D-10 L.205	TUBE D-10 L.205	TUYAU D-10 L.205	ROHR D-10 L.205
7	52003926	TUBO D-10 L.215	TUBE D-10 L.215	TUYAU D-10 L.215	ROHR D-10 L.215
8	52003927	TUBO D-10 L.190	TUBE D-10 L.190	TUYAU D-10 L.190	ROHR D-10 L.190
9	52001558	TUBO D-10 L.225	TUBE D-10 L.225	TUYAU D-10 L.225	ROHR D-10 L.225
10	52003925	TUBO D-10 L.160	TUBE D-10 L.160	TUYAU D-10 L.160	ROHR D-10 L.160
11	52001537	TUBO D-10 L.195	TUBE D-10 L.195	TUYAU D-10 L.195	ROHR D-10 L.195
12	23294001	STROZZATURA RICIRCOLO GR CTS D 2.5	CTS UNIT D 2.5 RECIRC. NECK	ETRANGLEMENT RECYCLAGE GR.D.2.5	ENGSTELLE UMWALZUNG D. 2.5
12	23294003	STROZZATURA RICIRCOLO GR CTS D 4	CTS UNIT D 4 RECIRC. NECK	ETRANGLEMENT RECYCLAGE GR.D.4	ENGSTELLE UMWALZUNG D. 4
13	52001588	TUBO D-4 L.410	TUBE D-4 L. 410	TUYAU D-4 L.410	ROHR D-4 L.410
14	52003058	TUBO D-2 L.1000	TUBE D-2 L.1000	TUYAU D-2 L.1000	ROHR D-2 L.1000
15	52001547	TUBO D-10 L.180	TUBE D-10 L.180	TUYAU D-10 L.180	ROHR D-10 L.180
16	52002958	TUBO D-10 L.160	TUBE D-10 L.160 W1/E	TUYAU D-10 L.160 W1/E	ROHR D-10 L.160 W1/E
17	44002	COPRILIVELLO VERNICIATO BIANCO	LEVEL INDICATOR COVER PAINTED WHITE	COUVRE-NIVEAU LAQUE BLANC	NIVEAUDECKEL
18	25356	CONTRODADO OTTONE 3/8	BRASS LOCK NUT 3/8	CONTRE-ECROU LAITON 3/8	MESSING-GEGENMUTTER 3/8
19	25651	RONDELLA OTTONE 3/8	BRASS WASHER 3/8	RONDELLE LAITON 3/8	MESSINGSCHIEBE 3/8
20	53002	CORPO LIVELLO SUPERIORE	UPPER LEVEL CONNECTOR	CORPS DE NIVEAU SUPERIEUR	OBERNIVEAUKORPER
21	53001	CORPO LIVELLO INFERIORE	LOWER LEVEL CONNECTOR	CORPS DE NIVEAU INFERIEUR	UNTERNIVEAUKORPER
22	12200	GUARNIZIONE 16x10x8	GASKET 16X10X8	JOINT 16X10X8	DICHTUNG 16x10x8
23	25652	RONDELLA OTTONE D17.8	BRASS WASHER D.17.8	RONDELLE LAITON D.17.8	MESSING-SCHIEBE D.17.8
24	25383	DADO OTTONE M20x1.5	BRASS NUT 20X1.5	ECROU LAITON 20X1.5	MESSING-MUTTER 20x1.5
25	21300	TUBO VETRO LIVELLO 11x8x170	GLASS LEVEL TUBE 11X8X170	TUBE NIVEAU EN VERRE 11X8X170	NIVEAU GLASROHR 11x8x170
26	56001	ASSIEME TUBO LIVELLO	LEVEL TUBE UNIT	ENSEMBLE TUBE DE NIVEAU	ROHRSATZ FUR NIVEAU
27	12153	GUARNIZIONE RAME 1/4 17x13.3x1.5	GASKET 1/4 17x13.3x1.5 COPPER	JOINT CUIVRE 1/4 17x13.3x1.5	KUPFERDICHTUNG 1/4 17x13.3x1.5
28	25780	TAPPO MASCHIO OTTONE 1/4	BRASS MALE CAP 1/4	BOUCHON MALE LAITON 1/4	MESSING-STOPFEN 1/4
29	61016001	DISTRIBUTORE CARICO ACQUA	WATER DISTRIBUTION BLOCK	DISTRIBUTEUR EAU	WASSER VERTEILER
30	23293012	STROZZATURA D-1.2	NECK D-1.2	ETRANGLEMENT D-1.2	UMWALZUNG D-1.2
31	52000233	TUBO D-6 L.230	TUBE D-6 L.230	TUYAU D-6 L.230	ROHR D-6 L.230
32	52000326	TUBO D-6 L.250	TUBE D-6 L.250	TUYAU D-6 L.250	ROHR D. 6 L.250
33	52001581	TUBO D-6 L.405	TUBE D-6 L.405	TUYAU D-6 L.405	ROHR D-6 L.405
34	52001563	TUBO D-8 L.410	TUBE D-8 L.410	TUYAU D-8 L.410	ROHR D-8 L.410
35	257396	RACCORDO SCARICO CALDAIA ASSIEMATO	ASSEMBLED BOILER DRAIN JOINT	RACCORD	ANSCHLUSS
36	15452113	TUBO SILICONE PLATINICO 6x9 L.195	SILICONE TUBE D-6x9 L.195	TUYAU SILICONE D-6x9 L.195	SILIKONROHR D-6x9 L.195
37	15452098	TUBO SILICONE PLATINICO 6x9 L.270	SILICONE TUBE D-6x9 L.270	TUYAU SILICONE D-6x9 L.270	SILIKONROHR D-6x9 L.270

AEP 3GR

Pos	Code	Denominazione - IT -	Denomination - EN -	Denomination - FR -	Denomination - DE -
38	15422010	RACCORDO "Y" POLIPROPILENE D-10	"Y" POLIPROPILENE FITTING	RACCORD "Y" POLIPROPILENE	ANSCHLUSS "Y" POLIPROPILENE
39	15502	VASCHETTA SCARICO ROTONDA D 80	ROUND DRAIN BASIN D.80mm	CUVE A VIDANGER RONDE D.80mm	RUNDE ABFLUSSCHALE D.80mm
40	12299002	GUERNIZIONE ROSSA PICCOLA 7GRS03 EV.GRP	RED GASKET	JOINT ROUGE	DICHTUNG ROT
41	12299001	GUARNIZIONE VERDE A GOCCIA 7GRS02 EV.GRP	GASKET	JOINT	DICHTUNG
42	4718159001	ELETTROVALVOLA 120V 50-60Hz	SOLENOID VALVE 120V 50-60Hz	ELECTROVANNE 120V 50-60Hz	ELEKTROVENTIL 120V 50-60Hz
42	4718159002	ELETTROVALVOLA AEA IN BASE 220/240V 50-60H	SOLENOID VALVE 220/240V 50-60Hz	ELECTROVANNE 220/240V 50-60Hz	ELEKTROVENTIL 220/240V 50-60Hz
43	83120005R	KIT GUARNIZIONI DISTRIBUTORE MULTIFUNZ.	GASKET KIT DISTRIBUTOR	KIT JOINT DISTRIBUTEUR	DICHTUNGSSATZ VERTEILER

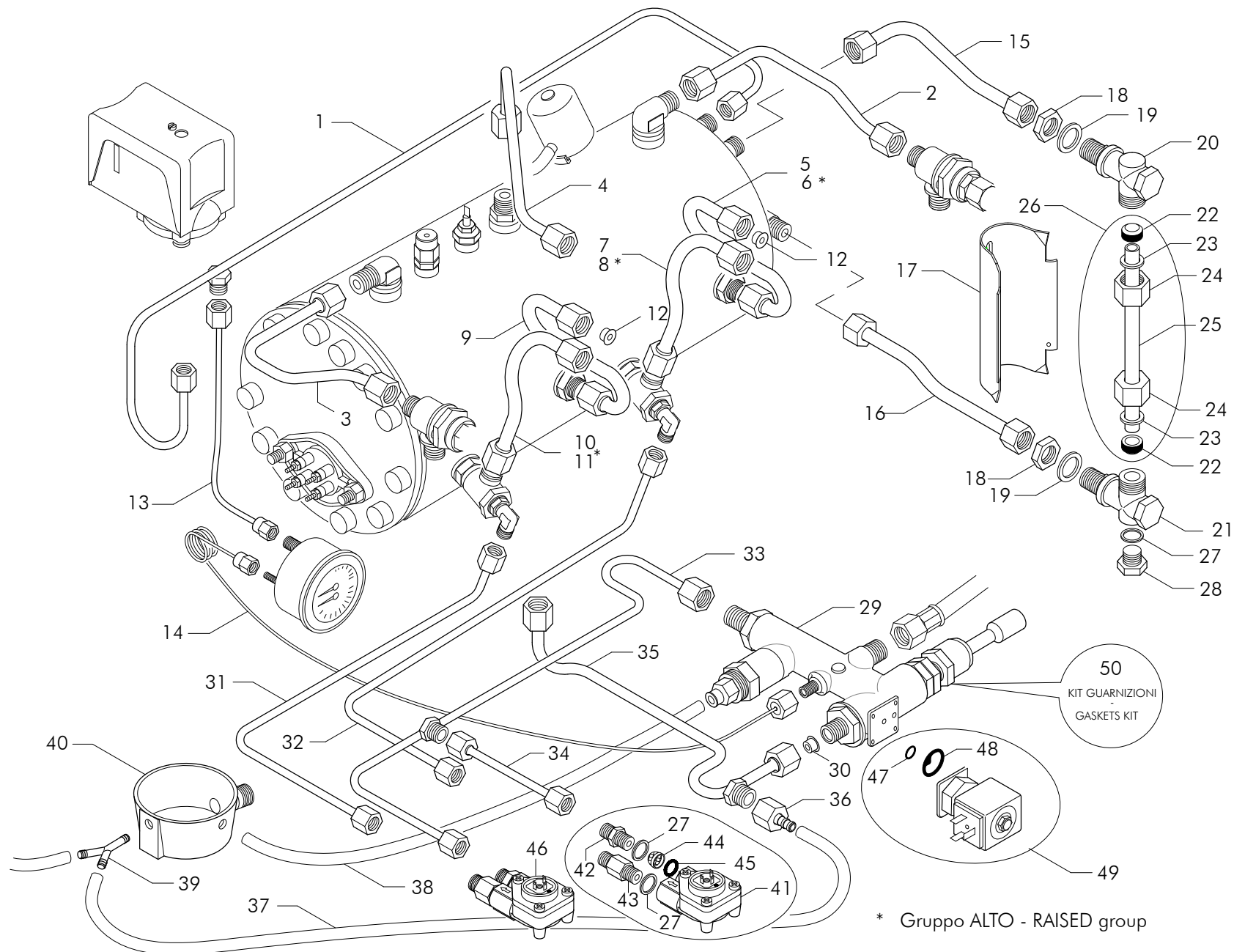


SAE 1GR

Pos	Code	Denominazione - IT -	Denomination - EN -	Denomination - FR -	Denomination - DE -
1	52001551	TUBO D-6 L.440	TUBE D-6 L.440	TUYAU D-6 L.440	ROHR D-6 L.440
2	52000416	TUBO D-10 L.270	TUBE D-10 L.270	TUYAU D-10 L.270	ROHR D-10 L.270
3	52000418	TUBO D-8 L.245	TUBE D-8 L.245	TUYAU D-8 L.245	ROHR D-8 L.245
4	52001538	TUBO D-10 L.215	TUBE D-10 L.215	TUYAU D-10 L.215	ROHR D-10 L.215
5	52001545	TUBO D-10 L.220	TUBE D-10 L.220	TUYAU D-10 L.220	ROHR D-10 L.220
6	52001556	TUBO D-10 L.170	TUBE D-10 L.170	TUYAU D-10 L.170	ROHR D-10 L.170
7	52003926	TUBO D-10 L.215	TUBE D-10 L.215	TUYAU D-10 L.215	ROHR D-10 L.215
8	23294001	STROZZATURA RICIRCOLO GR CTS D 2.5	CTS UNIT D 2.5 RECIRC. NECK	ETRANGLEMENT RECYCLAGE GR.D.2.5	ENGSTELLE UMWALZUNG D. 2.5
8	23294003	STROZZATURA RICIRCOLO GR CTS D 4	CTS UNIT D 4 RECIRC. NECK	ETRANGLEMENT RECYCLAGE GR.D.4	ENGSTELLE UMWALZUNG D. 4
9	52001549	TUBO D-8 L.265	TUBE D-8 L.265	TUYAU D-8 L.265	ROHR D-8 L.265
10	52001552	TUBO D-6 L.245	TUBE D-6 L.245	TUYAU D-6 L.245	ROHR D-6 L.245
11	52001437	TUBO D-4 L.435	TUBE D-4 L.435	TUYAU D-4 L.435	ROHR D-4 L.435
12	52003050	TUBO D-2 L.500	TUBE D-2 L.500	TUYAU D-2 L.500	ROHR D-2 L.500
13	52001547	TUBO D-10 L.180	TUBE D-10 L.180	TUYAU D-10 L.180	ROHR D-10 L.180
14	52001560	TUBO D-10 L.155	TUBE D-10 L.155	TUYAU D-10 L.155	ROHR D-10 L.155
15	44002	COPRILIVELLO VERNICIATO BIANCO	LEVEL INDICATOR COVER PAINTED WHITE	COUVRE-NIVEAU LAQUE BLANC	NIVEAUDECKEL
16	56001	ASSIEME TUBO LIVELLO	LEVEL TUBE UNIT	ENSEMBLE TUBE DE NIVEAU	ROHRSATZ FUR NIVEAU
17	25356	CONTRODADO OTTONE 3/8	BRASS LOCK NUT 3/8	CONTRE-ECROU LAITON 3/8	MESSING-GEGENMUTTER 3/8
18	25651	RONDELLA OTTONE 3/8	BRASS WASHER 3/8	RONDELLE LAITON 3/8	MESSINGSCHIEBE 3/8
19	53002	CORPO LIVELLO SUPERIORE	UPPER LEVEL CONNECTOR	CORPS DE NIVEAU SUPERIEUR	OBERNIVEAUKORPER
20	53001	CORPO LIVELLO INFERIORE	LOWER LEVEL CONNECTOR	CORPS DE NIVEAU INFERIEUR	UNTERNIVEAUKORPER
21	52001550	TUBO D-8 L.750	TUBE D-8 L.750	TUYAU D-8 L.750	ROHR D-8 L.750
22	12200	GUARNIZIONE 16x10x8	GASKET 16X10X8	JOINT 16X10X8	DICHTUNG 16x10x8
23	25652	RONDELLA OTTONE D17.8	BRASS WASHER D.17.8	RONDELLE LAITON D.17.8	MESSING-SCHIEBE D.17.8
24	25383	DADO OTTONE M20x1.5	BRASS NUT 20X1.5	ECROU LAITON 20X1.5	MESSING-MUTTER 20x1.5
25	21300	TUBO VETRO LIVELLO 11x8x170	GLASS LEVEL TUBE 11X8X170	TUBE NIVEAU EN VERRE 11X8X170	NIVEAU GLASROHR 11x8x170
26	12153	GUARNIZIONE RAME 1/4 17x13.3x1.5	GASKET 1/4 17x13.3x1.5 COPPER	JOINT CUIVRE 1/4 17x13.3x1.5	KUPFERDICHTUNG 1/4 17x13.3x1.5
27	25780	TAPPO MASCHIO OTTONE 1/4	BRASS MALE CAP 1/4	BOUCHON MALE LAITON 1/4	MESSING-STOPFEN 1/4
28	61016001	DISTRIBUTORE CARICO ACQUA	WATER DISTRIBUTION BLOCK	DISTRIBUTEUR EAU	WASSER VERTEILER
29	23293012	STROZZATURA D-1.2	NECK D-1.2	ETRANGLEMENT D-1.2	UMWALZUNG D-1.2
30	52003427	TUBO D-8 L.115	TUBE D-8 L.115	TUYAU D-8 L.115	ROHR D-8 L.115
31	15502	VASCHETTA SCARICO ROTONDA D 80	ROUND DRAIN BASIN D.80mm	CUVE A VIDANGER RONDE D.80mm	RUNDE ABFLUSSCHALE D.80mm
32	15422010	RACCORDO "Y" POLIPROPILENE D-10	"Y" POLIPROPILENE FITTING	RACCORD "Y" POLIPROPILENE	ANSCHLUSS "Y" POLIPROPILENE
33	15452098	TUBO SILICONE PLATINICO 6x9 L.270	SILICONE TUBE D-6x9 L.270	TUYAU SILICONE D-6x9 L.270	SILIKONROHR D-6x9 L.270
34	20354	VALVOLA CHIUSURA AEA	PRESSURE RELEASE TAP BULK UNIT	CLAPET FERMETURE AUT.ARRIVEE EAU	ABSPERRVENTIL x AUT.WASSERZUFUHR
35	52004367	TUBO D-6 L.345	TUBE D-6 L.345	TUYAU D-6 L.345	ROHR D-6 L.345
36	25686	RACCORDO 1/4x1/4	CONNECTOR 1/4 x 1/4	RACCORD 1/4 x 1/4	ANSCHLUSS 1/4x1/4
37	25708	RACCORDO 1/4x1/4	1/4x1/4 FITTING	RACCORD 1/4x1/4	ANSCHLUSS 1/4x1/4

SAE 1GR

Pos	Code	Denominazione - IT -	Denomination - EN -	Denomination - FR -	Denomination - DE -
38	10254	FILTRO ACCIAIO 160-200 MESH	STEEL FILTER 160-200 MESH	FILTRE EN ACIER 160-200 MESH	STAHLFILTER 160-200 MESH
39	12329	GUARNIZIONE OR HNBR 7.66xW1.78	GASKET OR HNBR 7.66xW1.78	JOINT OR HNBR 7.66x1.78	OR DICHTUNG HNBR 7.66xW1.78
40	18126	DOSATORE FLOWMETER	FLOWMETER DOSER	DOSEUR FLOWMETER	DOSIERER FLOWMETER
41	56122000	ASSIEME DOSATORE	DOSER KIT	KIT DOSEUR	DOSIERER
42	12299002	GUERNIZIONE ROSSA PICCOLA 7GRS03 EV.GRP	RED GASKET	JOINT ROUGE	DICHTUNG ROT
43	12299001	GUARNIZIONE VERDE A GOCCIA 7GRS02 EV.GRP	GASKET	JOINT	DICHTUNG
44	4718159001	ELETTROVALVOLA 120V 50-60Hz	SOLENOID VALVE 120V 50-60Hz	ELECTROVANNE 120V 50-60Hz	ELEKTROVENTIL 120V 50-60Hz
44	4718159002	ELETTROVALVOLA AEA IN BASE 220/240V 50-60H	SOLENOID VALVE 220/240V 50-60Hz	ELECTROVANNE 220/240V 50-60Hz	ELEKTROVENTIL 220/240V 50-60Hz
45	83120005R	KIT GUARNIZIONI DISTRIBUTORE MULTIFUNZ.	GASKET KIT DISTRIBUTOR	KIT JOINT DISTRIBUTEUR	DICHTUNGSSATZ VERTEILER

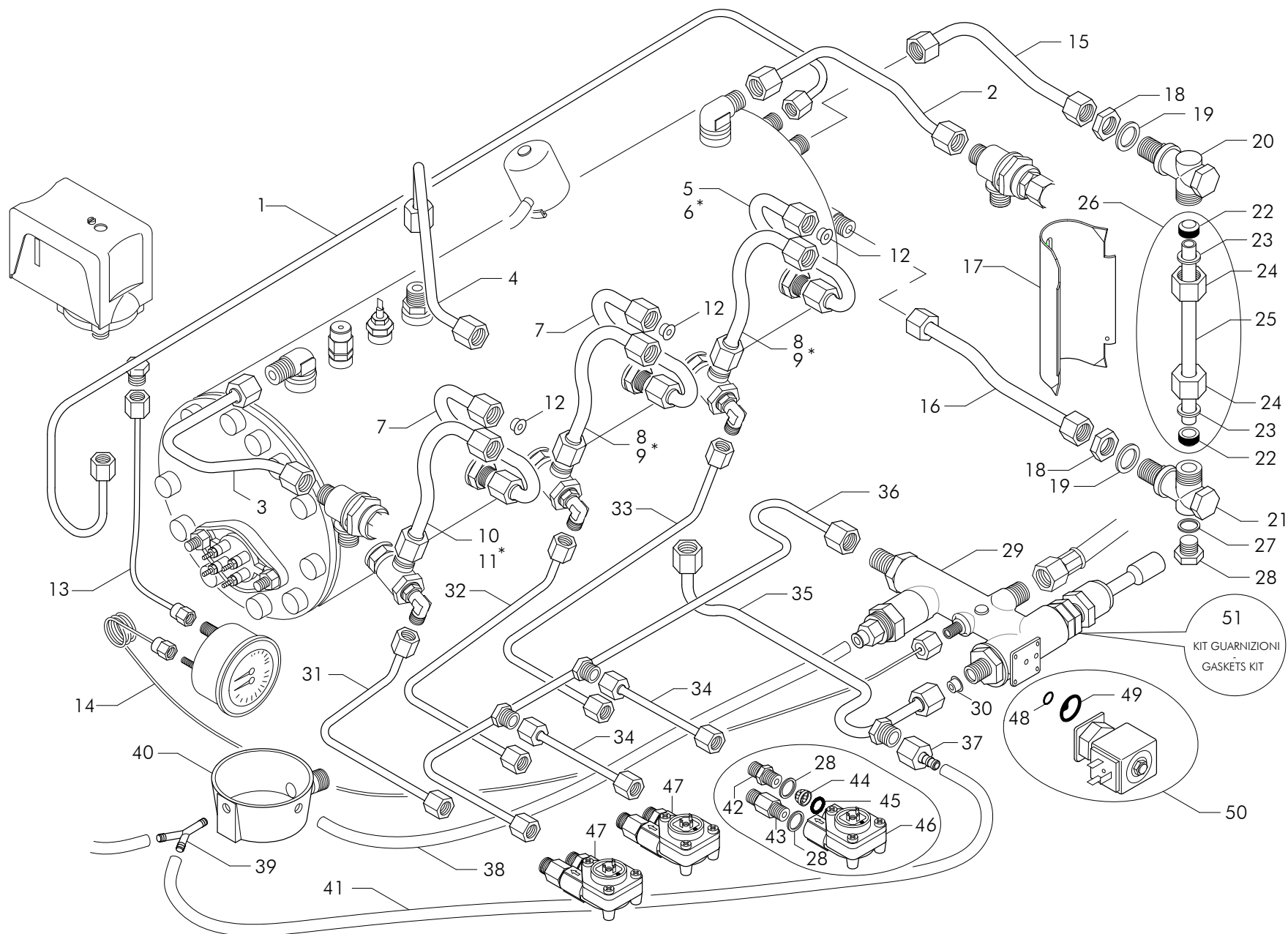


SAE 2GR

Pos	Code	Denominazione - IT -	Denomination - EN -	Denomination - FR -	Denomination - DE -
1	52001587	TBS.D-6 L.675 2GR/PA AR221	TUBE D-6 L.675	TUYAU D-6 L.675	ROHR D-6 L.675
2	52000407	TUBO D-10 L.290	TUBE D-10 L.280	TUYAU D-10 L.280	ROHR D-10 L.280
3	52000406	TUBO D-10 L.310	TUBE D-10 L.310	TUYAU D-10 L.310	ROHR D-10 L.310
4	52000408	TUBO D-8 L.300	TUBE D-8 L.300	TUYAU D-8 L.300	ROHR D-8 L.300
5	52001538	TUBO D-10 L.215	TUBE D-10 L.215	TUYAU D-10 L.215	ROHR D-10 L.215
6	52000487	TUBO D-10 L.205	TUBE D-10 L.205	TUYAU D-10 L.205	ROHR D-10 L.205
7	52003927	TUBO D-10 L.190	TUBE D-10 L.190	TUYAU D-10 L.190	ROHR D-10 L.190
8	52001558	TUBO D-10 L.225	TUBE D-10 L.225	TUYAU D-10 L.225	ROHR D-10 L.225
9	52003926	TUBO D-10 L.215	TUBE D-10 L.215	TUYAU D-10 L.215	ROHR D-10 L.215
10	52003925	TUBO D-10 L.160	TUBE D-10 L.160	TUYAU D-10 L.160	ROHR D-10 L.160
11	52001537	TUBO D-10 L.195	TUBE D-10 L.195	TUYAU D-10 L.195	ROHR D-10 L.195
12	23294001	STROZZATURA RICIRCOLO GR CTS D 2.5	CTS UNIT D 2.5 RECIRC. NECK	ETRANGLEMENT RECYCLAGE GR.D.2.5	ENGSTELLE UMWALZUNG D. 2.5
12	23294003	STROZZATURA RICIRCOLO GR CTS D 4	CTS UNIT D 4 RECIRC. NECK	ETRANGLEMENT RECYCLAGE GR.D.4	ENGSTELLE UMWALZUNG D. 4
13	52001588	TUBO D-4 L.410	TUBE D-4 L. 410	TUYAU D-4 L.410	ROHR D-4 L.410
14	52003058	TUBO D-2 L.1000	TUBE D-2 L.1000	TUYAU D-2 L.1000	ROHR D-2 L.1000
15	52001547	TUBO D-10 L.180	TUBE D-10 L.180	TUYAU D-10 L.180	ROHR D-10 L.180
16	52002958	TUBO D-10 L.160	TUBE D-10 L.160 W1/E	TUYAU D-10 L.160 W1/E	ROHR D-10 L.160 W1/E
17	44002	COPRILIVELLO VERNICIATO BIANCO	LEVEL INDICATOR COVER PAINTED WHITE	COUVRE-NIVEAU LAQUE BLANC	NIVEAUDECKEL
18	25356	CONTRODADO OTTONE 3/8	BRASS LOCK NUT 3/8	CONTRE-ECROU LAITON 3/8	MESSING-GEGENMUTTER 3/8
19	25651	RONDELLA OTTONE 3/8	BRASS WASHER 3/8	RONDELLE LAITON 3/8	MESSINGSCHIEBE 3/8
20	53002	CORPO LIVELLO SUPERIORE	UPPER LEVEL CONNECTOR	CORPS DE NIVEAU SUPERIEUR	OBERNIVEAUKORPER
21	53001	CORPO LIVELLO INFERIORE	LOWER LEVEL CONNECTOR	CORPS DE NIVEAU INFERIEUR	UNTERNIVEAUKORPER
22	12200	GUARNIZIONE 16x10x8	GASKET 16X10X8	JOINT 16X10X8	DICHTUNG 16x10x8
23	25652	RONDELLA OTTONE D17.8	BRASS WASHER D.17.8	RONDELLE LAITON D.17.8	MESSING-SCHIEBE D.17.8
24	25383	DADO OTTONE M20x1.5	BRASS NUT 20X1.5	ECROU LAITON 20X1.5	MESSING-MUTTER 20x1.5
25	21300	TUBO VETRO LIVELLO 11x8x170	GLASS LEVEL TUBE 11X8X170	TUBE NIVEAU EN VERRE 11X8X170	NIVEAU GLASROHR 11x8x170
26	56001	ASSIEME TUBO LIVELLO	LEVEL TUBE UNIT	ENSEMBLE TUBE DE NIVEAU	ROHRSATZ FUR NIVEAU
27	12153	GUARNIZIONE RAME 1/4 17x13.3x1.5	GASKET 1/4 17x13.3x1.5 COPPER	JOINT CUIVRE 1/4 17x13.3x1.5	KUPFERDICHTUNG 1/4 17x13.3x1.5
28	25780	TAPPO MASCHIO OTTONE 1/4	BRASS MALE CAP 1/4	BOUCHON MALE LAITON 1/4	MESSING-STOPFEN 1/4
29	61016001	DISTRIBUTORE CARICO ACQUA	WATER DISTRIBUTION BLOCK	DISTRIBUTEUR EAU	WASSER VERTEILER
30	23293012	STROZZATURA D-1.2	NECK D-1.2	ETRANGLEMENT D-1.2	UMWALZUNG D-1.2
31	52000403	TUBO D-6 L.310	TUBE D-6 L.310	TUYAU D-6 L.310	ROHR D-6 L.310
32	52000402	TUBO D-6 L.395	TUBE D-6 L.395	TUYAU D-6 L.395	ROHR D-6 L.395
33	52004304	TUBO D-6 L.560	TUBE D-6 L.560	TUYAU D-6 L.560	ROHR D-6 L.560
34	52004324	TUBO D-6 L.100	TUBE D-6 L.100	TUYAU D-6 L.100	ROHR D-6 L.100
35	52001563	TUBO D-8 L.410	TUBE D-8 L.410	TUYAU D-8 L.410	ROHR D-8 L.410
36	257396	RACCORDO SCARICO CALDAIA ASSIEMATO	ASSEMBLED BOILER DRAIN JOINT	RACCORD	ANSCHLUSS
37	15452107	TUBO SILICONE PLATINICO 6x9 L.80	SILICONE TUBE D-6x9 L.80	TUYAU SILICONE D-6x9 L.80	SILIKONROHR D-6x9 L.80

SAE 2GR

Pos	Code	Denominazione - IT -	Denomination - EN -	Denomination - FR -	Denomination - DE -
38	15452113	TUBO SILICONE PLATINICO 6x9 L.195	SILICONE TUBE D-6x9 L.195	TUYAU SILICONE D-6x9 L.195	SILIKONROHR D-6x9 L.195
39	15422010	RACCORDO "Y" POLIPROPILENE D-10	"Y" POLIPROPILENE FITTING	RACCORD "Y" POLIPROPILENE	ANSCHLUSS "Y" POLIPROPILENE
40	15502	VASCHETTA SCARICO ROTONDA D 80	ROUND DRAIN BASIN D.80mm	CUVE A VIDANGER RONDE D.80mm	RUNDE ABFLUSSCHALE D.80mm
41	18126	DOSATORE FLOWMETER	FLOWMETER DOSER	DOSEUR FLOWMETER	DOSIERER FLOWMETER
42	25686	RACCORDO 1/4x1/4	CONNECTOR 1/4 x 1/4	RACCORD 1/4 x 1/4	ANSCHLUSS 1/4x1/4
43	25708	RACCORDO 1/4x1/4	1/4x1/4 FITTING	RACCORD 1/4x1/4	ANSCHLUSS 1/4x1/4
44	10254	FILTRO ACCIAIO 160-200 MESH	STEEL FILTER 160-200 MESH	FILTRE EN ACIER 160-200 MESH	STAHLFILTER 160-200 MESH
45	12329	GUARNIZIONE OR HNBR 7.66xW1.78	GASKET OR HNBR 7.66xW1.78	JOINT OR HNBR 7.66x1.78	OR DICHTUNG HNBR 7.66xW1.78
46	56122000	ASSIEME DOSATORE	DOSEUR KIT	KIT DOSEUR	DOSIERER
47	12299002	GUARNIZIONE ROSSA PICCOLA 7GRS03 EV.GRP	RED GASKET	JOINT ROUGE	DICHTUNG ROT
48	12299001	GUARNIZIONE VERDE A GOCCIA 7GRS02 EV.GRP	GASKET	JOINT	DICHTUNG
49	4718159001	ELETTROVALVOLA 120V 50-60Hz	SOLENOID VALVE 120V 50-60Hz	ELECTROVANNE 120V 50-60Hz	ELEKTROVENTIL 120V 50-60Hz
49	4718159002	ELETTROVALVOLA AEA IN BASE 220/240V 50-60H	SOLENOID VALVE 220/240V 50-60Hz	ELECTROVANNE 220/240V 50-60Hz	ELEKTROVENTIL 220/240V 50-60Hz
50	83120005R	KIT GUARNIZIONI DISTRIBUTORE MULTIFUNZ.	GASKET KIT DISTRIBUTOR	KIT JOINT DISTRIBUTEUR	DICHTUNGSSATZ VERTEILER



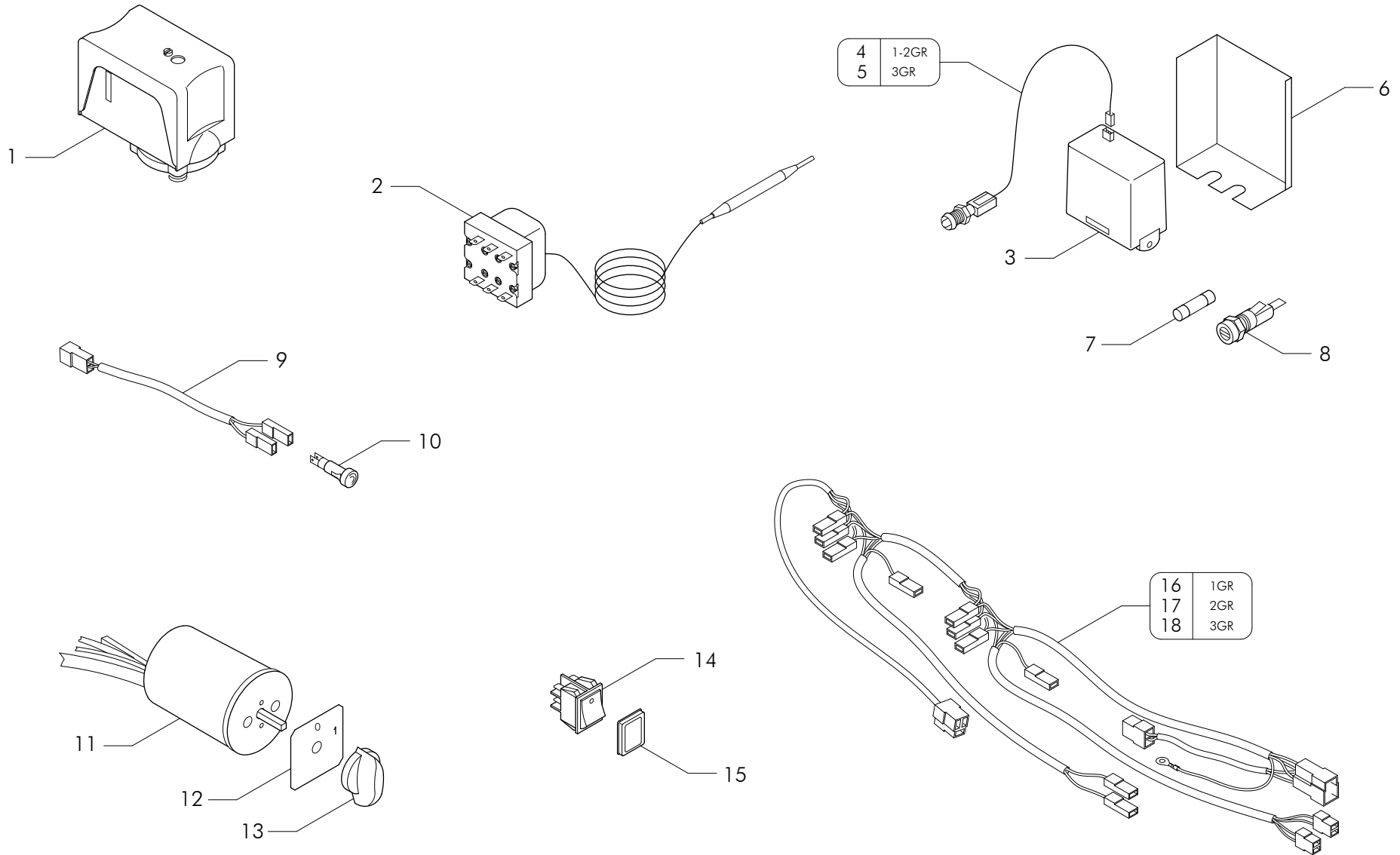
* Gruppo ALTO - RAISED group

SAE 3GR

Pos	Code	Denominazione - IT -	Denomination - EN -	Denomination - FR -	Denomination - DE -
1	52004340	TUBO D-6 L.950	TUBE D-6 L.950	TUYAU D-6 L.950	ROHR D-6 L.950
2	52000407	TUBO D-10 L.290	TUBE D-10 L.280	TUYAU D-10 L.280	ROHR D-10 L.280
3	52000406	TUBO D-10 L.310	TUBE D-10 L.310	TUYAU D-10 L.310	ROHR D-10 L.310
4	52000408	TUBO D-8 L.300	TUBE D-8 L.300	TUYAU D-8 L.300	ROHR D-8 L.300
5	52001538	TUBO D-10 L.215	TUBE D-10 L.215	TUYAU D-10 L.215	ROHR D-10 L.215
6	52000487	TUBO D-10 L.205	TUBE D-10 L.205	TUYAU D-10 L.205	ROHR D-10 L.205
7	52003926	TUBO D-10 L.215	TUBE D-10 L.215	TUYAU D-10 L.215	ROHR D-10 L.215
8	52003927	TUBO D-10 L.190	TUBE D-10 L.190	TUYAU D-10 L.190	ROHR D-10 L.190
9	52001558	TUBO D-10 L.225	TUBE D-10 L.225	TUYAU D-10 L.225	ROHR D-10 L.225
10	52003925	TUBO D-10 L.160	TUBE D-10 L.160	TUYAU D-10 L.160	ROHR D-10 L.160
11	52001537	TUBO D-10 L.195	TUBE D-10 L.195	TUYAU D-10 L.195	ROHR D-10 L.195
12	23294001	STROZZATURA RICIRCOLO GR CTS D 2.5	CTS UNIT D 2.5 RECIRC. NECK	ETRANGLEMENT RECYCLAGE GR.D.2.5	ENGSTELLE UMWALZUNG D. 2.5
12	23294003	STROZZATURA RICIRCOLO GR CTS D 4	CTS UNIT D 4 RECIRC. NECK	ETRANGLEMENT RECYCLAGE GR.D.4	ENGSTELLE UMWALZUNG D. 4
13	52001588	TUBO D-4 L.410	TUBE D-4 L. 410	TUYAU D-4 L.410	ROHR D-4 L.410
14	52003058	TUBO D-2 L.1000	TUBE D-2 L.1000	TUYAU D-2 L.1000	ROHR D-2 L.1000
15	52001547	TUBO D-10 L.180	TUBE D-10 L.180	TUYAU D-10 L.180	ROHR D-10 L.180
16	52002958	TUBO D-10 L.160	TUBE D-10 L.160 W1/E	TUYAU D-10 L.160 W1/E	ROHR D-10 L.160 W1/E
17	44002	COPRILIVELLO VERNICIATO BIANCO	LEVEL INDICATOR COVER PAINTED WHITE	COUVRE-NIVEAU LAQUE BLANC	NIVEAUDECKEL
18	25356	CONTRODADO OTTONE 3/8	BRASS LOCK NUT 3/8	CONTRE-ECROU LAITON 3/8	MESSING-GEGENMUTTER 3/8
19	25651	RONDELLA OTTONE 3/8	BRASS WASHER 3/8	RONDELLE LAITON 3/8	MESSINGSCHIEBE 3/8
20	53002	CORPO LIVELLO SUPERIORE	UPPER LEVEL CONNECTOR	CORPS DE NIVEAU SUPERIEUR	OBERNIVEAUKORPER
21	53001	CORPO LIVELLO INFERIORE	LOWER LEVEL CONNECTOR	CORPS DE NIVEAU INFERIEUR	UNTERNIVEAUKORPER
22	12200	GUARNIZIONE 16x10x8	GASKET 16X10X8	JOINT 16X10X8	DICHTUNG 16x10x8
23	25652	RONDELLA OTTONE D17.8	BRASS WASHER D.17.8	RONDELLE LAITON D.17.8	MESSING-SCHIEBE D.17.8
24	25383	DADO OTTONE M20x1.5	BRASS NUT 20X1.5	ECROU LAITON 20X1.5	MESSING-MUTTER 20x1.5
25	21300	TUBO VETRO LIVELLO 11x8x170	GLASS LEVEL TUBE 11X8X170	TUBE NIVEAU EN VERRE 11X8X170	NIVEAU GLASROHR 11x8x170
26	56001	ASSIEME TUBO LIVELLO	LEVEL TUBE UNIT	ENSEMBLE TUBE DE NIVEAU	ROHRSATZ FUR NIVEAU
27	12153	GUARNIZIONE RAME 1/4 17x13.3x1.5	GASKET 1/4 17x13.3x1.5 COPPER	JOINT CUIVRE 1/4 17x13.3x1.5	KUPFERDICHTUNG 1/4 17x13.3x1.5
28	25780	TAPPO MASCHIO OTTONE 1/4	BRASS MALE CAP 1/4	BOUCHON MALE LAITON 1/4	MESSING-STOPFEN 1/4
29	61016001	DISTRIBUTORE CARICO ACQUA	WATER DISTRIBUTION BLOCK	DISTRIBUTEUR EAU	WASSER VERTEILER
30	23293012	STROZZATURA D-1.2	NECK D-1.2	ETRANGLEMENT D-1.2	UMWALZUNG D-1.2
31	52000403	TUBO D-6 L.310	TUBE D-6 L.310	TUYAU D-6 L.310	ROHR D-6 L.310
32	52000402	TUBO D-6 L.395	TUBE D-6 L.395	TUYAU D-6 L.395	ROHR D-6 L.395
33	52000415	TUBO D-6 L.530	TUBE D-6 L.530	TUYAU D-6 L.530	ROHR D-6 L.530
34	52004324	TUBO D-6 L.100	TUBE D-6 L.100	TUYAU D-6 L.100	ROHR D-6 L.100
35	52001563	TUBO D-8 L.410	TUBE D-8 L.410	TUYAU D-8 L.410	ROHR D-8 L.410
36	52004336	TUBO D-6 L.830	TUBE D-6 L.830	TUYAU D-6 L.830	ROHR D-6 L.830
37	257396	RACCORDO SCARICO CALDAIA ASSIEMATO	ASSEMBLED BOILER DRAIN JOINT	RACCORD	ANSCHLUSS

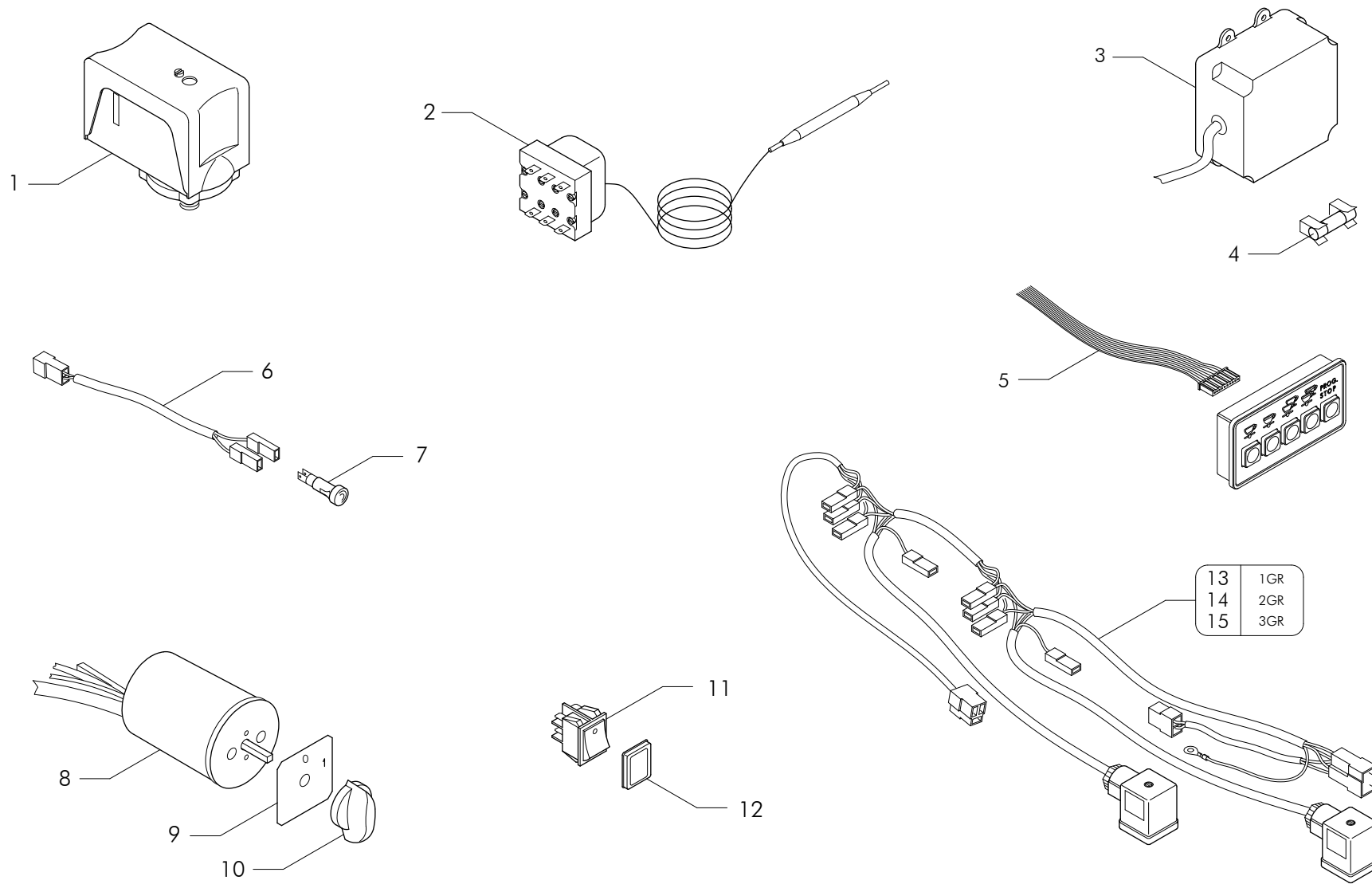
SAE 3GR

Pos	Code	Denominazione - IT -	Denomination - EN -	Denomination - FR -	Denomination - DE -
38	15452113	TUBO SILICONE PLATINICO 6x9 L.195	SILICONE TUBE D-6x9 L.195	TUYAU SILICONE D-6x9 L.195	SILIKONROHR D-6x9 L.195
39	15422010	RACCORDO "Y" POLIPROPILENE D-10	"Y" POLIPROPILENE FITTING	RACCORD "Y" POLIPROPILENE	ANSCHLUSS "Y" POLIPROPILENE
40	15502	VASCHETTA SCARICO ROTONDA D 80	ROUND DRAIN BASIN D.80mm	CUVE A VIDANGER RONDE D.80mm	RUNDE ABFLUSSCHALE D.80mm
41	15452098	TUBO SILICONE PLATINICO 6x9 L.270	SILICONE TUBE D-6x9 L.270	TUYAU SILICONE D-6x9 L.270	SILIKONROHR D-6x9 L.270
42	25686	RACCORDO 1/4x1/4	CONNECTOR 1/4 x 1/4	RACCORD 1/4 x 1/4	ANSCHLUSS 1/4x1/4
43	25708	RACCORDO 1/4x1/4	1/4x1/4 FITTING	RACCORD 1/4x1/4	ANSCHLUSS 1/4x1/4
44	10254	FILTRO ACCIAIO 160-200 MESH	STEEL FILTER 160-200 MESH	FILTRE EN ACIER 160-200 MESH	STAHLFILTER 160-200 MESH
45	12329	GUARNIZIONE OR HNBR 7.66xW1.78	GASKET OR HNBR 7.66xW1.78	JOINT OR HNBR 7.66x1.78	OR DICHTUNG HNBR 7.66xW1.78
46	18126	DOSATORE FLOWMETER	FLOWMETER DOSER	DOSEUR FLOWMETER	DOSIERER FLOWMETER
47	56122000	ASSIEME DOSATORE	DOSER KIT	KIT DOSEUR	DOSIERER
48	12299002	GUERNIZIONE ROSSA PICCOLA 7GRS03 EV.GRP	RED GASKET	JOINT ROUGE	DICHTUNG ROT
49	12299001	GUARNIZIONE VERDE A GOCCIA 7GRS02 EV.GRP	GASKET	JOINT	DICHTUNG
50	4718159001	ELETTROVALVOLA 120V 50-60Hz	SOLENOID VALVE 120V 50-60Hz	ELECTROVANNE 120V 50-60Hz	ELEKTROVENTIL 120V 50-60Hz
50	4718159002	ELETTROVALVOLA AEA IN BASE 220/240V 50-60H	SOLENOID VALVE 220/240V 50-60Hz	ELECTROVANNE 220/240V 50-60Hz	ELEKTROVENTIL 220/240V 50-60Hz
51	83120005R	KIT GUARNIZIONI DISTRIBUTORE MULTIFUNZ.	GASKET KIT DISTRIBUTOR	KIT JOINT DISTRIBUTEUR	DICHTUNGSSATZ VERTEILER



AEP

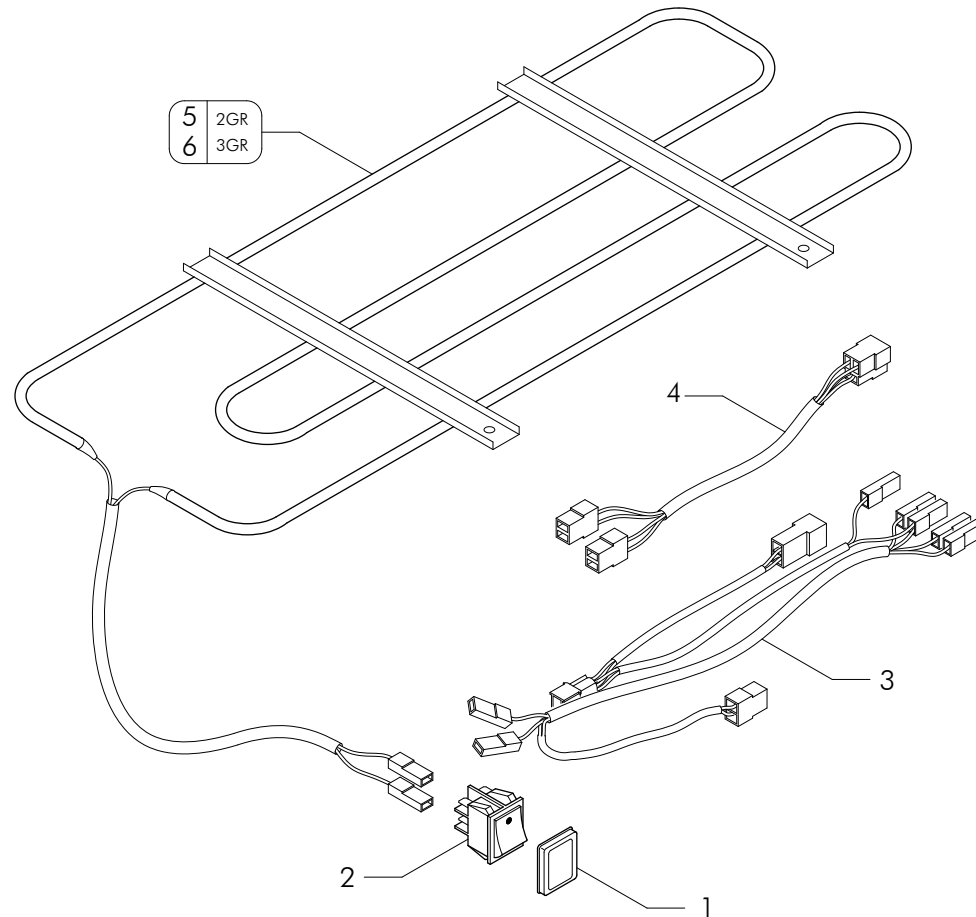
Pos	Code	Denominazione - IT -	Denomination - EN -	Denomination - FR -	Denomination - DE -
1	20150	PRESSOSTATO SECCO SIRAI 30A	DRY PRESSURE SWITCH SIRAI 30A	PRESSOSTAT SEC SIRAI 30A	TROCKENDRUCKWACHTER SIRAI 30A
2	20300015	TERMOSTATO 169?C	THERMOSTAT 169?C	THERMOSTAT 169?C	THERMOSTAT 169?C
3	18080001	REGOLATORE LIVELLO RL30 220/240V	LEVEL CONTROL RL30 220/240V	CONTROLE NIVEAU RL30 220/240V	WASSERNIVEAUREGLER RL30 220/240V
3	18081001	REGOLATORE LIVELLO RL30 120V	LEVEL CONTROL RL30 120V	CONTROLE NIVEAU RL30 120V	WASSERNIVEAUREGLER RL30 120V
4	22625	CAVO 1/2GR RL30/TIMEOUT CON LED	1/2 CABLE TIMEOUT UNIT WITH LED	CABLE 1/2 GR. RL30/TIMEOUT LED	KABEL 1/2GR. RL30/TIMEOUT MIT LED
5	22626	CAVO 3/4GR RL30/TIMEOUT CON LED	3/4 CABLE TIMEOUT UNIT WITH LED	CABLE 3/4 GR. RL30/TIMEOUT LED	KABEL 3/4GR. RL30/TIMEOUT MIT LED
6	77691005	SUPPORTO AEA RL30 INOX	AWR BEARING RL30 INOX	SUPPORT REA RL30 INOX	AWF HALTER RL30 INOX
7	19101	FUSIBILE 5x20 2A	FUSE OMEGA 5x20 2A	FUSIBLE OMEGA 5x20 2A	SCHMELZSICH.OMEGA 5x20 2A
8	19122	PORTAFUSIBILE 6.3A 250V	FUSE HOLDER 6.3A 250V	PORTE-FUSIBLE 6.3A 250V	SICHERUNGSHALTER 6.3A 250V
9	227181	CABLAGGIO PROLUNGA LAMPADINA	WIRING FOR LAMP	CABLE PROLONGE LAMPE	VERDRAHTUNG LAMPE
9	22718101	CABLAGGIO PROLUNGA LAMPADINA UL	WIRING FOR LAMP UL	CABLE PROLONGE LAMPE UL	VERDRAHTUNG LAMPE UL
10	83210010R	KIT LAMPADA SPIA VERDE	GREEN INDICATOR LIGHT KIT	KIT AMPOULE TEMOIN VERT	KIT KONTROLLEUCHTE GRUN
11	8318200R	KIT INTERRUTTORE BREMAS 20A	KIT BREMAS SWITCH A20.02	KIT INTERRUPTEUR BREMAS A20.02	KIT BREMAS SCHALTER A20.02
11	8318205R	KIT INTERRUTTORE BREMAS 20A	KIT BREMAS SWITCH A20.04	KIT INTERRUPTEUR BREMAS A20.04	KIT BREMAS SCHALTER A20.04
11	8318206R	KIT INTERRUTTORE BREMAS 32A	KIT BREMAS SWITCH A32.02	KIT INTERRUPTEUR BREMAS A32.02	KIT BREMAS SCHALTER A32.02
12	29068	ETICHETTA ADESIVA '0-1'NERO PLASTICO 58x58	PLASTIC ADHESIVE PLATE 0-1 58X58	PLAQUETTE ADHESIVE 0-1 58X58	KLEBESCHILD 0-1 58x58
13	15271	MANOPOLA INTERR.GENERALE BREMAS	MAIN SWITCH HAND GRIP	MANETTE INTERR. GENERAL	HAUPTSCHALTERGRIFF
14	18263	INTERRUTTORE BIP. NERO LED LUMIN.ROSSO	BIP. LUMIN. BLACK SWITCH	INTER.BIP.LUMIN. NOIR	ZWEIP.SCHALTER M. SCHWARZ LEUCHTE
15	19049	COPERTURA INTERRUTTORE	SWITCH COVER	PROTECTION INTERRUPTEUR	SCHALTER ABD.
16	22770102	CABLAGGIO AEP-EPU/1	CABLE AEP-EPU/1	CABLAGE AEP-EPU/1	VERDRAHTUNG AEP-EPU/1
17	22770202	CABLAGGIO AEP-EPU/2	CABLE AEP-EPU/2	CABLAGE AEP-EPU/2	VERDRAHTUNG AEP-EPU/2
18	22770302	CABLAGGIO AEP-EPU/3	CABLE AEP-EPU/3	CABLAGE AEP-EPU/3	VERDRAHTUNG AEP-EPU/3



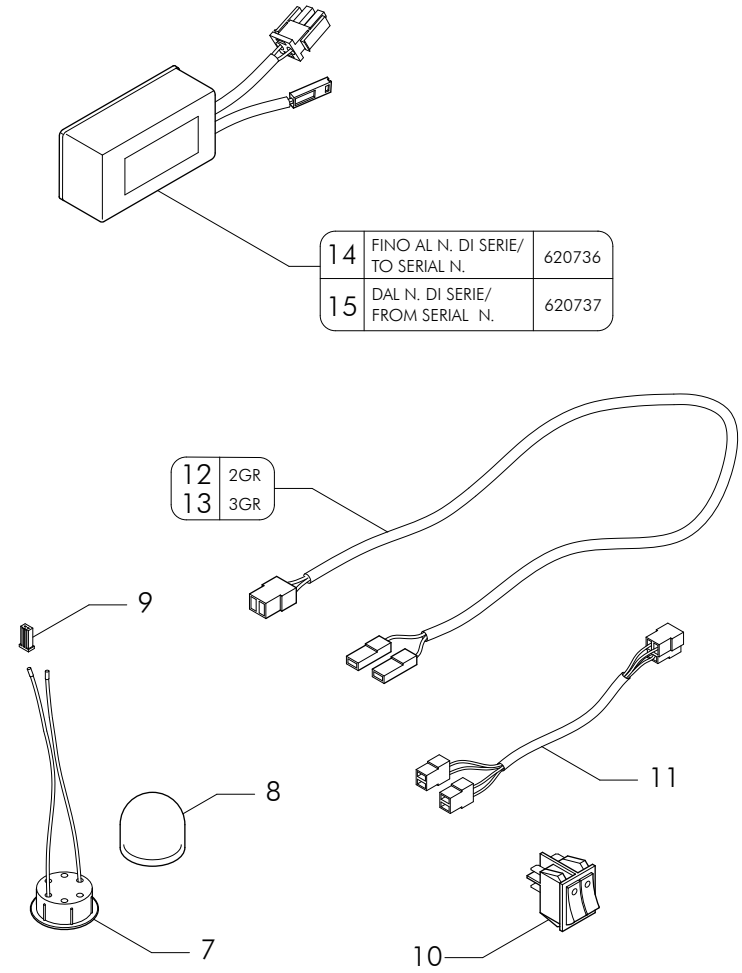
SAE

Pos	Code	Denominazione - IT -	Denomination - EN -	Denomination - FR -	Denomination - DE -
1	20150	PRESSOSTATO SECCO SIRAI 30A	DRY PRESSURE SWITCH SIRAI 30A	PRESSOSTAT SEC SIRAI 30A	TROCKENDRUCKWACHTER SIRAI 30A
2	20300015	TERMOSTATO 169?C	THERMOSTAT 169?C	THERMOSTAT 169?C	THERMOSTAT 169?C
3	18090030	CENTRALINA 1-3GR 120V RL3	CONTROL UNIT 1-3GR 120V RL3	CENTR. 1-3GR 120V RL3	EINHEIT 1-3GR 120V RL3
3	18090031	CENTRALINA 1-3GR 230-240V RL3	CONTROL UNIT 1-3GR 230-240V RL3	CENTR. 1-3GR. 230-240V RL3	EINHEIT 1-3GR 230-240V RL3
4	19104	FUSIBILE OMEGA 5x20 T-10A	FUSE OMEGA 5x20 T-10A	FUSIBLE OMEGA 5x20 T-10A	SCHMELZSICHERUNG OMEGA 5x20 T-10A
4	19106	FUSIBILE OMEGA 5x20 T-500mA	FUSE OMEGA 5x20 T-500mA	FUSIBLE OMEGA 5x20 T-500mA	SCHMELZSICHERUNG OMEGA 5x20 T-500mA
5	22627	CAVO PULSANTIERA 10 POLI 80CM	80 CM CONNECTOR FOR P.BUTTON PANEL	CABLE CLAVIER 10 POLES 80 CM	KABEL BEDIENBL. 10 POLIG 80CM
5	22628	CAVO PULSANTIERA 10 POLI 140CM	140 CM CABLE FOR P.BUTTON PANEL	CABLE CLAVIER 10 POLES 140 CM	KABEL BEDIENBL. 10 POLIG 140CM
6	227181	CABLAGGIO PROLUNGA LAMPADINA	WIRING FOR LAMP	CABLE PROLONGE LAMPE	VERDRAHTUNG LAMPE
6	22718101	CABLAGGIO PROLUNGA LAMPADINA UL	WIRING FOR LAMP UL	CABLE PROLONGE LAMPE UL	VERDRAHTUNG LAMPE UL
7	83210010R	KIT LAMPADA SPIA VERDE	GREEN INDICATOR LIGHT KIT	KIT AMPOULE TEMOIN VERT	KIT KONTROLLEUCHTE GRUN
8	8318200R	KIT INTERRUTTORE BREMAS 20A	KIT BREMAS SWITCH A20.02	KIT INTERRUPTEUR BREMAS A20.02	KIT BREMAS SCHALTER A20.02
8	8318205R	KIT INTERRUTTORE BREMAS 20A	KIT BREMAS SWITCH A20.04	KIT INTERRUPTEUR BREMAS A20.04	KIT BREMAS SCHALTER A20.04
8	8318206R	KIT INTERRUTTORE BREMAS 32A	KIT BREMAS SWITCH A32.02	KIT INTERRUPTEUR BREMAS A32.02	KIT BREMAS SCHALTER A32.02
9	29068	ETICHETTA ADESIVA '0-1'NERO PLASTICO 58x58	PLASTIC ADHESIVE PLATE 0-1 58X58	PLAQUETTE ADHESIVE 0-1 58X58	KLEBESCHILD 0-1 58x58
10	15271	MANOPOLA INTERR.GENERALE BREMAS	MAIN SWITCH HAND GRIP	MANETTE INTERR. GENERAL	HAUPTSCHALTERGRIFF
11	18263	INTERRUTTORE BIP. NERO LED LUMIN.ROSSO	BIP. LUMIN. BLACK SWITCH	INTER.BIP.LUMIN. NOIR	ZWEIP.SCHALTER M. SCHWARZ LEUCHTE
12	19049	COPERTURA INTERRUTTORE	SWITCH COVER	PROTECTION INTERRUPTEUR	SCHALTER ABD.
13	22800503	CABLAGGIO SAE-EVD/1	CABLE SAE-EVD/1	CABLAGE SAE-EVD/1	VERDRAHTUNG SAE-EVD/1
14	22800603	CABLAGGIO SAE-EVD/2	CABLE SAE-EVD/2	CABLAGE SAE-EVD/2	VERDRAHTUNG SAE-EVD/2
15	22800703	CABLAGGIO SAE-EVD/3	CABLE SAE-EVD/3	CABLAGE SAE-EVD/3	VERDRAHTUNG SAE-EVD/3

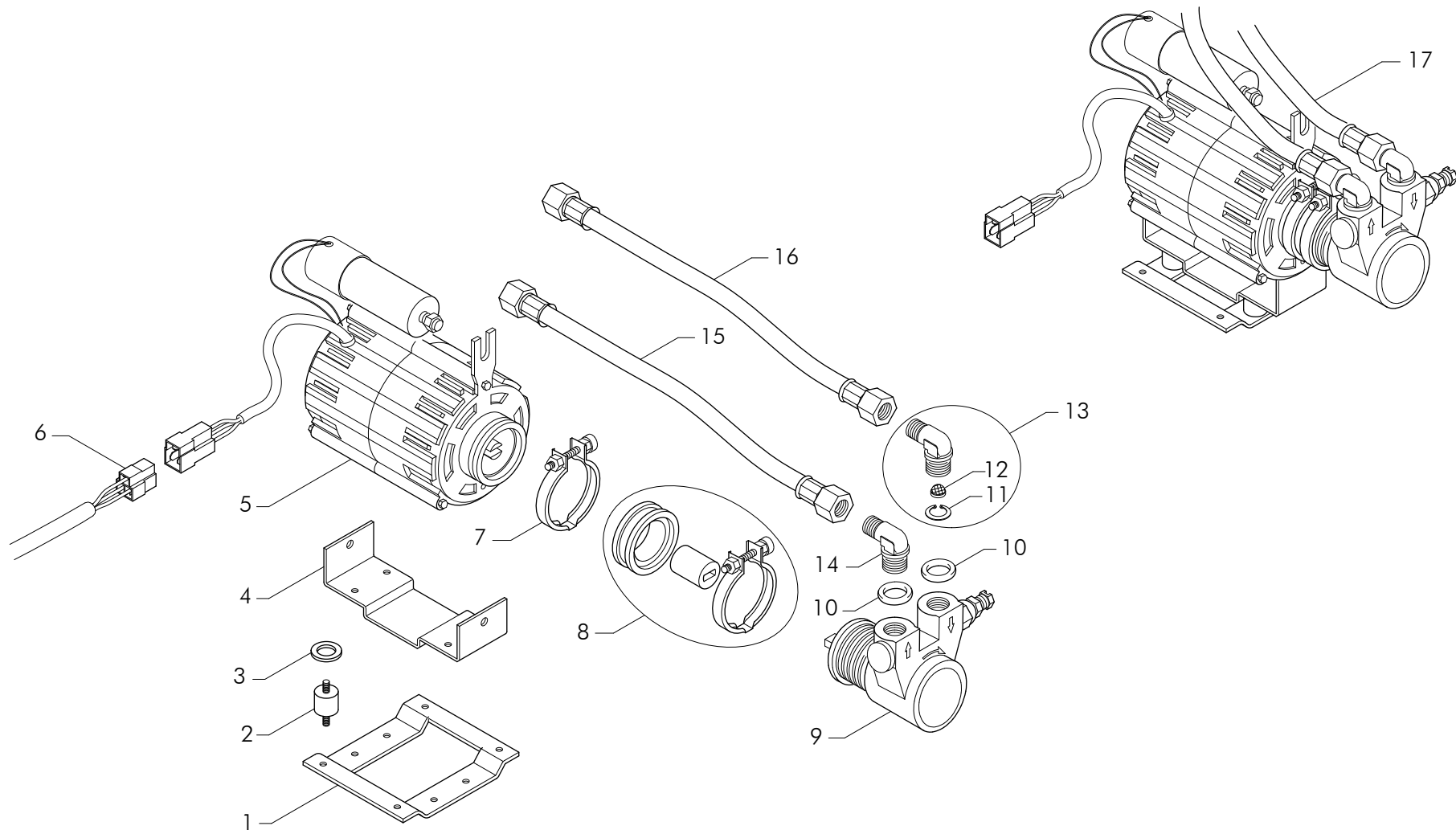
SCALDATAZZE / CUP HEATING
CHAUFFE-TASSES / TASSENWARMER



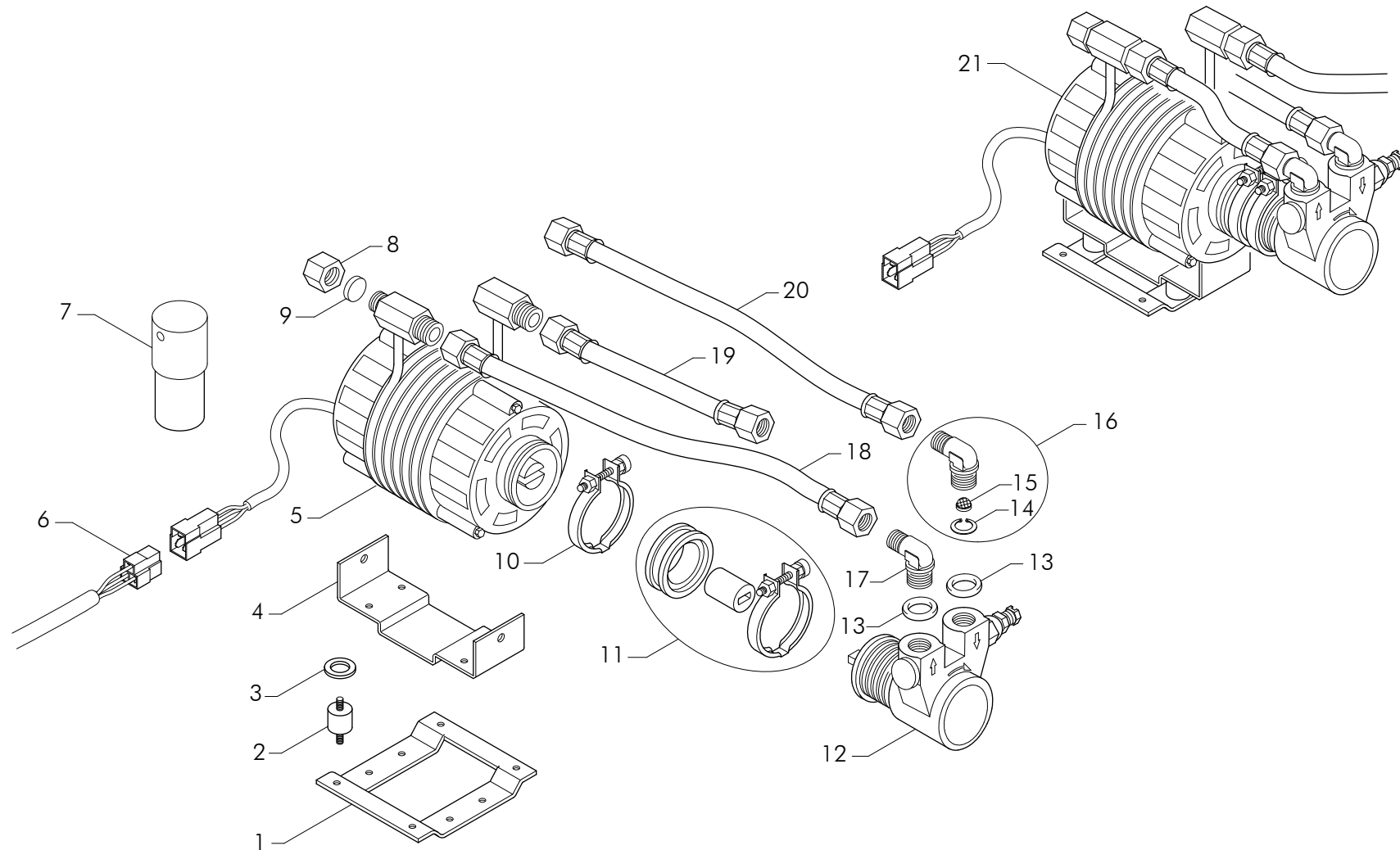
LED



Pos	Code	Denominazione - IT -	Denomination - EN -	Denomination - FR -	Denomination - DE -
1	19049	COPERTURA INTERRUTTORE	SWITCH COVER	PROTECTION INTERRUPTEUR	SCHALTER ABD.
2	18260	INTERRUTTORE BIPOLARE LUMINOSO ROSSO	SWITCH LUMINOUS RED BIPOLAR	INTERRUPTEUR BIP. LUMINEUX ROUGE	ZWEIPOLIGER ROTER LEUCHTSCHALTER
3	22723002	CABLAGGIO SCALDATAZZE ELETTRICO 2-4GR	ELECTR.CUP HEAT.WIRING 2-4GR	CABLE CHAUFFE-TASSES ELEC. 2-4GR	ELEKTR.VERKABELUNG TASSENWARMER 2-4GR
4	227178	CABLAGGIO SDOPPIATORE USCITA	CABLE CONNECTION	CABLAGE JONCTION	VERDRAHTUNG VERBINDUNG
5	17020	RESISTENZA 2GR 120V 200W	HEATING ELEMENT 2GR 120V 200W	RESISTANCE 2GR 120V 200W	WIDERSTAND 2GR 120V 200W
5	17022	RESISTENZA 2GR 230V 200W	HEATING ELEMENT 2GR 230V 200W	RESISTANCE 2GR 230V 200W	WIDERSTAND 2GR 230V 200W
6	17023	RESISTENZA 3GR 230V 250W	HEATING ELEMENT 3GR 230V 250W	RESISTANCE 3GR 230V 250W	WIDERSTAND 3GR 230V 250W
7	21040005	LAMPADA LED	LED LIGHT	LAMPE LED	LED LAMPE
8	15048503	CAPPuccio EPDM PER LED	HOOD	HOUSSE	HAUBE
9	15037	CONNETTORE FEMMIMA 2VIE NERO	CONNECTOR FEMALE - 2 WAYS BLACK	CONNECTEUR FEMELLE 2V	FEMALE CONNECTOR
10	18263009	DOPPIO INT.LUMINOSO ARANCIONE	DOUBLE LUMIN.SWITCH	INTER.DOUBLE LUMIN.	ZWEIP.SCHALTER DOUBLE
11	227178	CABLAGGIO SDOPPIATORE USCITA	CABLE CONNECTION	CABLAGE JONCTION	VERDRAHTUNG VERBINDUNG
12	22715970	CABLAGGIO LED 1-2GR	CABLE LED	CABLAGE LED	VERDRAHTUNG LED
12	22715971	CABLAGGIO LED 1-2GR CON SCTE	CABLE LED WITH SCTE	CABLAGE LED AVEC SCTE	VERDRAHTUNG LED MIT SCTE
13	22715968	CABLAGGIO LED 3GR CON SCTE	CABLE LED 3GR WITH SCTE	CABLAGE LED 3GR AVEC SCTE	VERDRAHTUNG LED 3GR MIT SCTE
13	22715976	CABLAGGIO LED 3GR	CABLE LED 3GR	CABLAGE LED 3GR	VERDRAHTUNG LED 3GR
14	8318559009R	KIT ADATTATORE LED 220/240V	ADAPTER KIT LED 220/240V	KIT ADAPTATEUR CONDUIT 220/240V	ADAPTER-KIT GEFUHRT 220/240V
15	18559015	ALIMENTATORE 100V-270V 350mA	POWER UNIT 100V-270V 350mA	ALIMENTATION 100V-270V 350mA	NETZTEIL 100V-270V 350mA



Pos	Code	Denominazione - IT -	Denomination - EN -	Denomination - FR -	Denomination - DE -
1	78167008	SUPPORTO MOTORE	MOTOR SUPPORT	SUPPORT MOTEUR	EINGEBAUTER MOTORHALTER
2	15105	GOMMA AMMORTIZZATORE	RUBBER FOR MOTOR	CAOUTCHOUC POUR MOTEUR	GUMMI x MOTOR
3	23265	RONDELLA 4x12	WASHER 4x12	RONDELLE 4x12	SCHEIBE 4x12
4	78174	SUPPORTO MOTORE	MOTOR SUPPORT	SUPPORT MOTEUR	EINGEBAUTER MOTORHALTER
5	18303001	MOTORE R.P.M. 230V 150W	MOTOR R.P.M. 230V 150W	MOTEUR R.P.M. 230V 150W	MOTOR R.P.M. 230V 150W
5	18303004	MOTORE R.P.M. 110/115V 50/60Hz 150W	MOTOR R.P.M. 120V 150W	MOTEUR R.P.M. 120V 150W	MOTOR R.P.M. 120V 150W
6	22717301	CABLAGGIO MOTORE 120W	MOTOR CABLE 120W	CABLAGE MOTEUR 120W	MOTOR VERKABELUNG 120W
7	26310003	FASCETTA GIUNZIONE MOTORE-POMPA	CLAMP MOTOR-PUMP	BANDE MOTEUR-POMPE	SHELLE MOTOR-PUMPE
8	83260016R	KIT DISACCOPIAMENTO MOTORE POMPA	KIT COUPLING MOTOR-PUMP	ENSEMBLE DECOUPLAGE MOTEUR POMPE	KIT MOTOR-PUMPE KUPPLUNG
9	4626303001	POMPA FLUID-0-TECH PB 104 3/8G CW510L	PUMP FLUID-0-TECH PB 104 NSF 3/8G	POMPE FLUID-0-TECH P0104 NFS 3/8G	PUMPE FLUID-0-TECH PB 104 NFS 3/8G
10	12101	GUARNIZIONE RAME 3/8 22x17x3	GASKET COPPER 3/8 22x17x3	JOINT CUIVRE 3/8 22x17x3	KUPFERDICHTUNG 3/8 22x17x3
11	10005	ANELLO DI ARRESTO INOX	STAINLESS STEEL STOP RING	ANNEAU DE BUTEE INOX	DRAHTSPRENGRING ROSTFREI
12	10254	FILTRO ACCIAIO 160-200 MESH	STEEL FILTER 160-200 MESH	FILTRE EN ACIER 160-200 MESH	STAHLFILTER 160-200 MESH
13	56116001	RACCORDO GOMITO 3/8+3/8 MOTOPOMPA ASSIEME	CONNECTOR 3/8+3/8 PUMP ASSEMBLY	RACCORD 3/8 + 3/8 ENS. MOTOPOMPE	ANSCHLUSS 3/8 + 3/8 MOTORP. ZUSAMMEN
14	43052	RACCORDO "L" 3/8	CONNECTOR 'L' 3/8	RACCORD 'L' 3/8	ANSCHLUSS 'L' 3/8
15	30404	TUBOFLEX 3/8FF P.GOMMA CON. L-450mm Ni	FLEX PIPE 3/8 L45	TUYAU FLEX 3/8 FF L45	SCHLAUCH 3/8 AUFNAHMETUR L45 GUMMI KONI
16	30408	TUBOFLEX 3/8FF P.GOMMA L-1500mm NI	FLEX PIPE 3/8 L150	TUYAU FLEX 3/8 FF L150	SCHLAUCH 3/8 AUFNAHMETUR L150 GUMMI KONI
17	56123234	ASSIEME MOTORE 150W 120V + POMPA	ASSEMBLY MOTOR 150W 120V + PUMP	ENSEMBLE MOTEUR 150W 120V + POMPE	MOTOR 150W 120V + PUMPE
17	56123235	ASSIEME MOTORE 150W 230V + POMPA	ASSEMBLY MOTOR 150W 230V + PUMP	ENSEMBLE MOTEUR 150W 230V + POMPE	MOTOR 150W 230V + PUMPE



Pos	Code	Denominazione - IT -	Denomination - EN -	Denomination - FR -	Denomination - DE -
1	78167008	SUPPORTO MOTORE	MOTOR SUPPORT	SUPPORT MOTEUR	EINGEBAUTER MOTORHALTER
2	15105	GOMMA AMMORTIZZATORE	RUBBER FOR MOTOR	CAOUTCHOUC POUR MOTEUR	GUMMI x MOTOR
3	23265	RONDELLA 4x12	WASHER 4x12	RONDELLE 4x12	SCHEIBE 4x12
4	78174	SUPPORTO MOTORE	MOTOR SUPPORT	SUPPORT MOTEUR	EINGEBAUTER MOTORHALTER
5	4656407	MOTORE RPM 120V 60Hz R.H2O	MOTOR RPM CW510L	MOTOR RPM CW510L	MOTOR RPM CW510L
5	56406	MOTORE RPM Ni 230V 50/60 R.H2O ASSIEME	MOTOR RPM 230V 50/60Hz H2O	MOTEUR RPM 230V 50/60HZ H2O	MOTOR RPM 230V 50/60HZ H2O
6	22717301	CABLAGGIO MOTORE 120W	MOTOR CABLE 120W	CABLAGE MOTEUR 120W	MOTOR VERKABELUNG 120W
7	22717301	CABLAGGIO MOTORE 120W	MOTOR CABLE 120W	CABLAGE MOTEUR 120W	MOTOR VERKABELUNG 120W
8	25782	TAPPO FEMMINA 1/4 GAS	1/4 GAS FEMALE TAP	BOUCHON FEMELLE 1/4 GAZ	INNENANSCHLUSSSTOPSEL 1/4 GAS
9	12007	GUARNIZIONE KLINGERSIL4400	KLINGERSIL4400 SEAL	JOINT KLINGERSIL4400	DICHTUNG KLINGER SIL4400
10	26310003	FASCETTA GIUNZIONE MOTORE-POMPA	CLAMP MOTOR-PUMP	BANDE MOTEUR-POMPE	SHELLE MOTOR-PUMPE
11	83260016R	KIT DISACCOPIAMENTO MOTORE POMPA	KIT COUPLING MOTOR-PUMP	ENSEMBLE DECOUPLAGE MOTEUR POMPE	KIT MOTOR-PUMPE KUPPLUNG
12	4626303001	POMPA FLUID-O-TECH PB 104 3/8G CW510L	PUMP FLUID-O-TECH PB 104 NSF 3/8G	POMPE FLUID-O-TECH P0104 NFS 3/8G	PUMPE FLUID-O-TECH PB 104 NFS 3/8G
13	12101	GUARNIZIONE RAME 3/8 22x17x3	GASKET COPPER 3/8 22x17x3	JOINT CUIVRE 3/8 22x17x3	KUPFERDICHTUNG 3/8 22x17x3
14	10005	ANELLO DI ARRESTO INOX	STAINLESS STEEL STOP RING	ANNEAU DE BUTEE INOX	DRAHTSPRENGRING ROSTFREI
15	10254	FILTRO ACCIAIO 160-200 MESH	STEEL FILTER 160-200 MESH	FILTRE EN ACIER 160-200 MESH	STAHLFILTER 160-200 MESH
16	56116001	RACCORDO GOMITO 3/8+3/8 MOTOPOMPA ASSIEME	CONNECTOR 3/8+3/8 PUMP ASSEMBLY	RACCORD 3/8 + 3/8 ENS. MOTOPOMPE	ANSCHLUSS 3/8 + 3/8 MOTORP. ZUSAMMEN
17	43052	RACCORDO "L" 3/8	CONNECTOR 'L' 3/8	RACCORD 'L' 3/8	ANSCHLUSS 'L' 3/8
18	30403	TUBOFLEX 3/8FF P.GOMMA L-330mm Ni	FLEX PIPE 3/8 L33	TUYAU FLEX 3/8 FF L33	SCHLAUCH 3/8 AUFNAHMETUR L33 GUMMI KONI
19	30404	TUBOFLEX 3/8FF P.GOMMA CON. L-450mm Ni	FLEX PIPE 3/8 L45	TUYAU FLEX 3/8 FF L45	SCHLAUCH 3/8 AUFNAHMETUR L45 GUMMI KONI
20	30408	TUBOFLEX 3/8FF P.GOMMA L-1500mm NI	FLEX PIPE 3/8 L150	TUYAU FLEX 3/8 FF L150	SCHLAUCH 3/8 AUFNAHMETUR L150 GUMMI KONI
21	56123418	ASSIEME MOTORE RAFF.H2O 120V + POMPA	ASSEMBLY MOTOR H2O 120V + PUMP	ENSEMBLE MOTEUR 120V + POMPE	MOTOR 120V + PUMPE
21	56123419	ASSIEME MOTORE RAFF.H2O 230V + POMPA	ASSEMBLY MOTOR 230V + PUMP	ENSEMBLE MOTEUR 230V + POMPE	MOTOR 230V + PUMPE