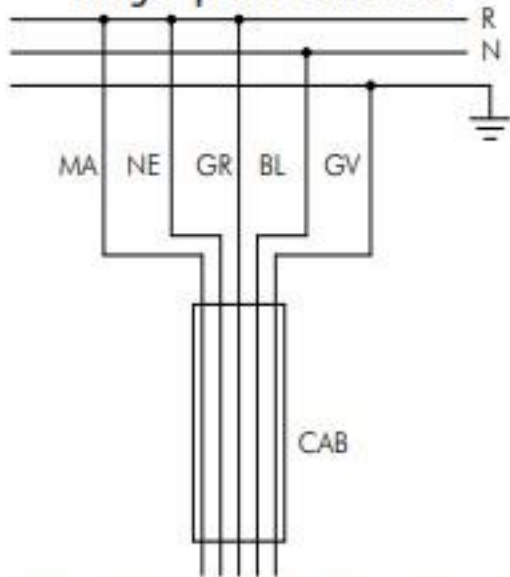
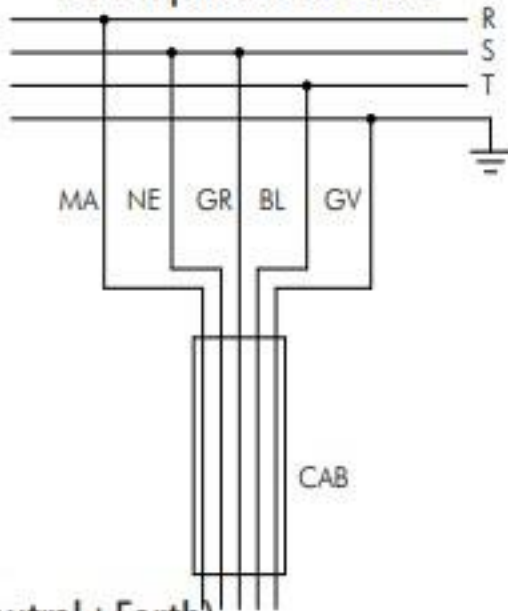


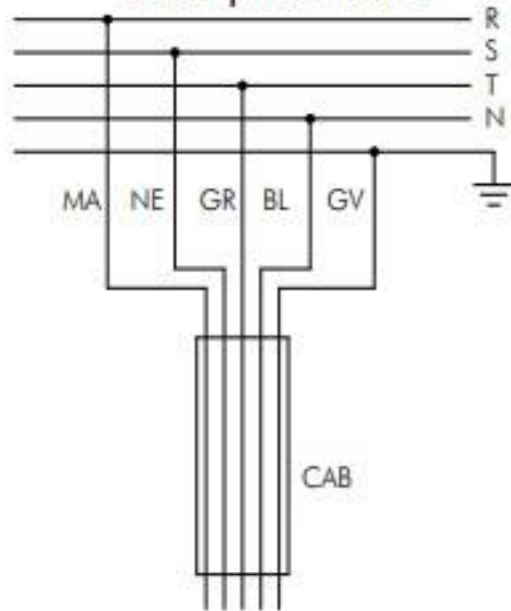
single-phase 230-240V



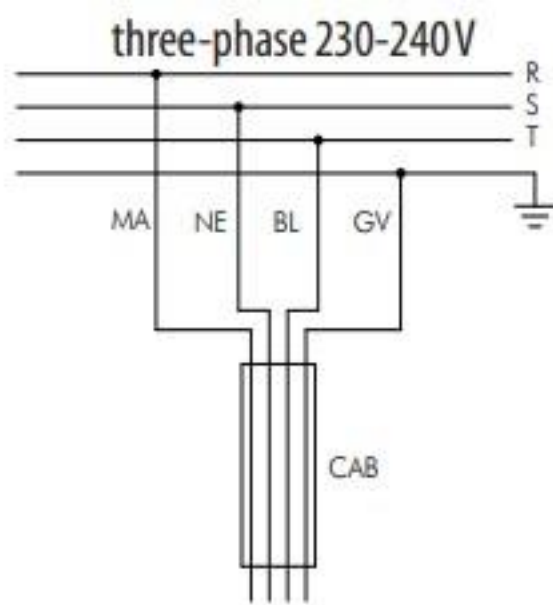
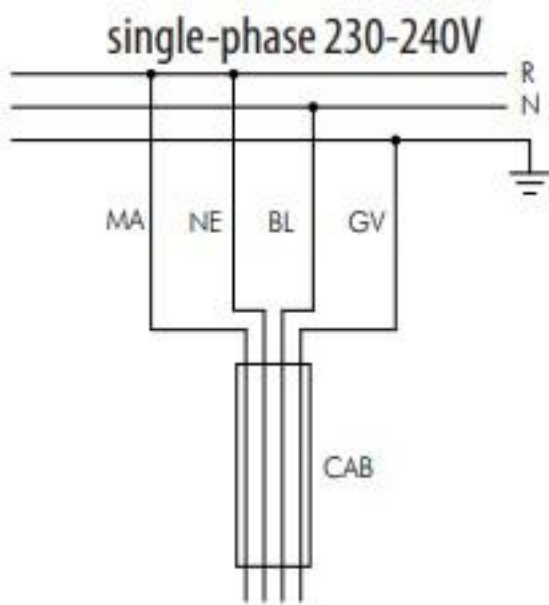
three-phase 230-240V



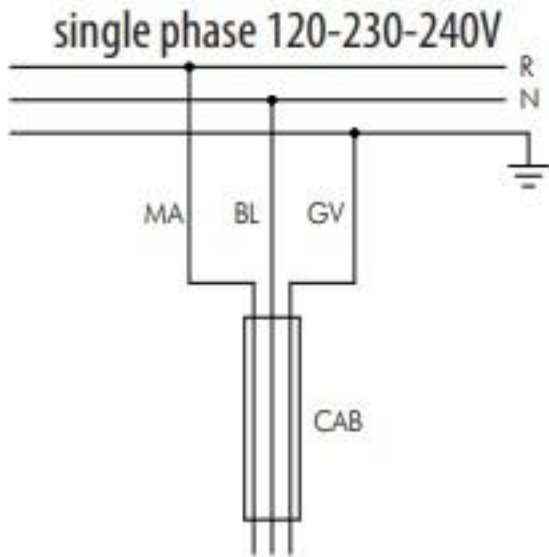
three-phase 400 V



5-CONDUCTOR CABLE (3-phase+Neutral+Earth)



4-CONDUCTOR CABLE



3-CONDUCTOR CABLE