

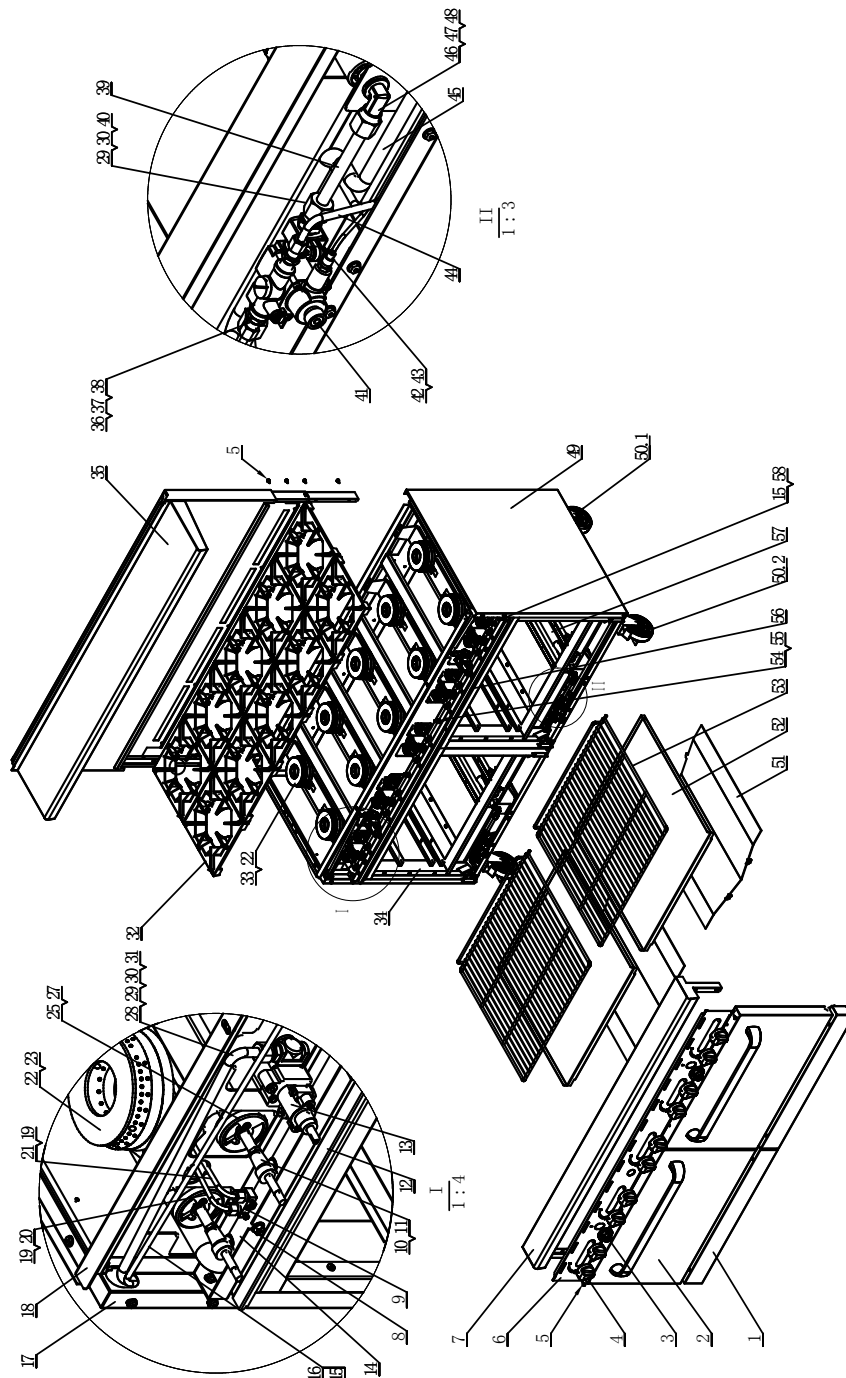
Appendix 2. Explosive view of product and parts

AGR-10B(NG/LG)

The use of parts provided by other companies, our company has the right not to provide warranty service;

Order replacement parts from authorized representatives and after-sale service agency.

Provide the model number, serial number and description when you order components.



No.	Matters Code	Component name	Qty	Dimensions (mm)/Model	Notes
1	21107001064	Underside face plate of oven	2	755*88*51	
2	21207001010	Oven door assembly	2	755*460*52	
3	301140008	Oven thermostat valve knob	2		
4	301140001	Kirsite knob	10		
5	301081037	Galvanized hexagon head flange face self-tapping screw	44	ST4.8*12.5	
6	21107002068	Control panel	1	1520*131	
7	21207001006	Table-board front board assembly	1	1524*125*189	
8	301080002	Galvanized flange nut	4	M6	
9	301030007	Pilot light valve-double unit	5	AP6-1	
10	301040153	Gas restaurant ranges nozzle(NG)	10	NG38 Φ2.57	
	301040154	Gas restaurant ranges nozzle(LP)		LP51 Φ1.70	
11	301030002	Stopcock	10	A18-318	
12	21107001067	Catch tray of gas restaurant ranges	1	855*625	
13	301030038	Oven thermostat valve	2	BJWA-25PD0548	
14	301070032	AGR-10B(NG/LG) input pipe	1		
15	301030037	Normally open fire valve (single)	2	AP5-2	
16	301050037	Pilot fire input fire of oven (left)	1		
17	21107001060	Side block panel (left)	1	698*752	
18	21207002004	Upper stove body assembly	1	1520*710*200	
19	301060003	Pilot light head	10		
20	21107001084	Pilot light intake pipe of gas restaurant ranges (short)	5	Φ4.7 L=266	
21	21107001085	Pilot light intake pipe of gas restaurant ranges (long)	5	Φ4.7 L=562	
22	301020040	Burner lid	10		

23	301020041	Short ejector	5		
25	301990001	Air door cover of gas restaurant ranges	10		
27	301081002	Stainless steel cross pan head screw	10	M4*8	
28	301050045	Main fire intake pipe of stove (left)	1		
29	301080007	Copper nut	8	M16	
30	301050012	Copper hoop	8	Φ10	
31	301060051	Copper connector	2	1/4" to M16	
32	301020016	Octangular cooking grates	10		
33	301020042	Long ejector	5		
34	21207001001	Lower stove body assembly	1	1520*696*572	
35	21207001007	Back guard assembly	1	1524*340*967	
36	301060053	Copper nut	4	M10	
37	301050039	Copper hoop	4	Φ6	
38	301060054	Copper connector	4	7/16" to M10	
39	21107001072	Main fire intake pipe of stove	2		
40	301060052	Copper connector	4	11/16" to M16	
41	301030039	Oven safety valve	2	TS11J-3211-1-0	
42	301030041	Kindling support (NG)	2		
	301030042	Kindling support (LP)			
43	301030049	Thermocouple	2		
44	301050036	Pilot fire exit tube of stove	2		
45	301050042	Pilot fire intake pipe of stove (right)	1		
46	301050014	Male copper elbow	2	M16 to 3/8"-27UNS	
47	301080008	Bronze locknut	2		
48	301040030	Oven burner nozzle(NG)	2	NG39 Φ2.5	
	301040027	Oven burner nozzle (LP)		LP52 Φ1.6	
49	21107001061	Side block panel (right)	1	698*752	
50.1	301990036	wheels without brake	2		

50.2	301990035	wheels with brake	2		
51	21107001062	Radiant panel of stove	2	553*607	
52	21407001005	Stove base plate	2	668*662	
53	301100012	Stove net rack	4	670*642	
54	301060001	Needle type pressure measuring connector	1	NPT 1/8"-27	
55	301060002	Needle type pressure measuring connector screw	1	M5*23	
56	21107002067	Catch tray of gas restaurant ranges (right)	1	605*625	
57	301010011	Stove burner	2		
58	301050044	Pilot fire inlet tube of stove (right)	1	Φ6 L=1920	

Appendix 3. Accessories List

AGR-10B(NG/LG)

Accessory	Accessory No.	Quantity of accessories
wheels without brake	301990036	2 pcs
wheels with brake	301990035	2 pcs
Underside face plate of stove	21107001064	2 pcs
Stove net rack	301100012	4 pcs
Rear panel assembly of stove	21207001007	1 pc
Galvanized hexagon head flange face self-tapping screw	301081037	21 pcs
M6*12 stainless steel hexagon bolt	301081019	2 pcs
M6 galvanized flat gasket	301082001	2 pcs
M6 stainless steel spring washer	301082018	2 pcs
Pressure maintaining valve	301030044 (natural gas)	1 pc
	301030013 (liquefied gas)	
Instructions and attached drawings		1 pc

Our products have the advantages of good durability and low maintenance charge. But to update some components and necessary maintenance, can prolong life length of the products. Contact the dealer for assistance. To avoid confusion, please follow the format of “Appendix 2. Explosive view of product and parts” in this manual.