

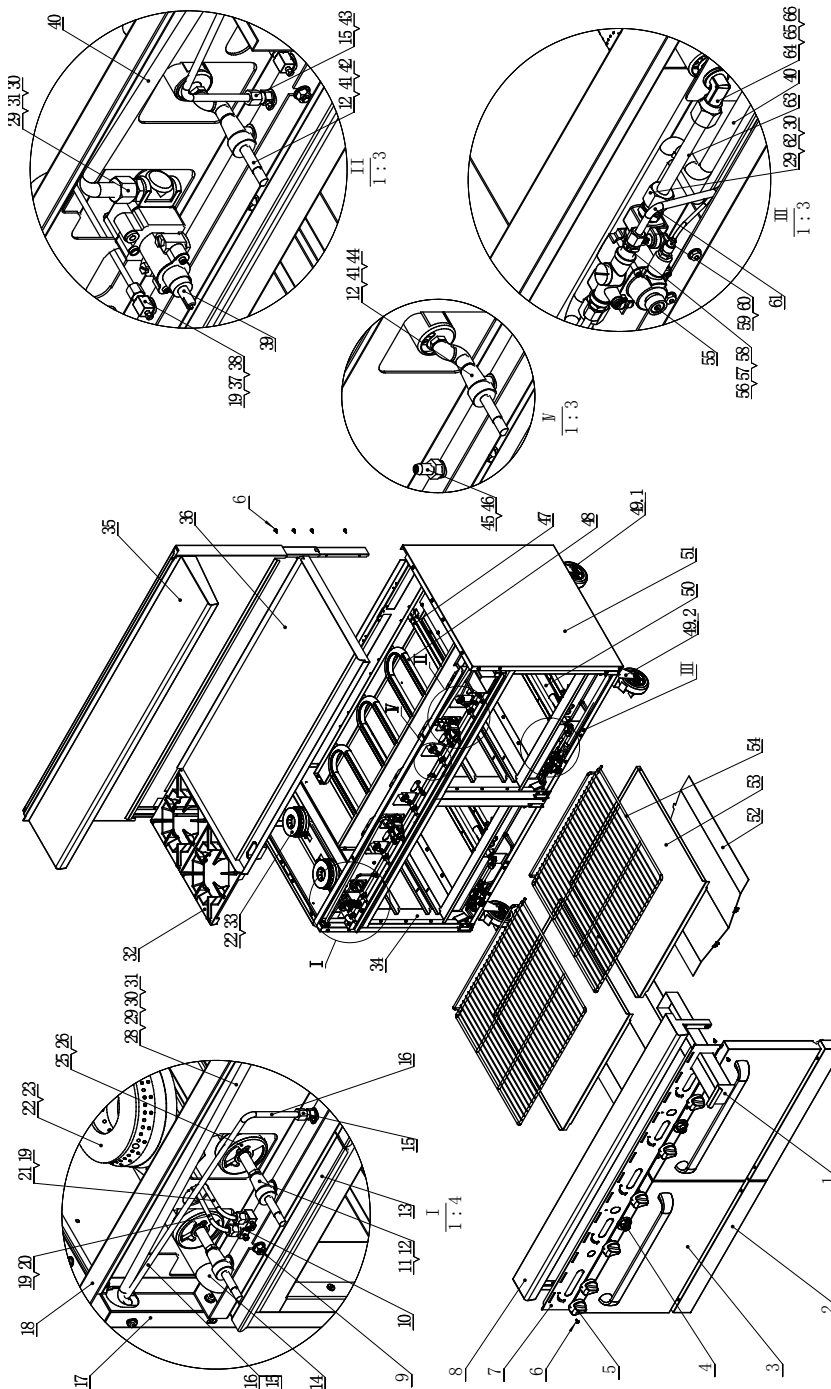
## Appendix 2. Explosive view of product and parts

### AGR-2B-48GR(NG/LG)/AGR-2B-48GL(NG/LG)

The use of parts provided by other companies, our company has the right not to provide warranty service;

Order replacement parts from authorized representatives and after-sale service agency.

Provide the model number, serial number and description when you order components.



No.	Matters Code	Component name	Qty	Dimensions (mm)/Model	Notes
1	21207001009	Griddle oil Box accessory	1		
2	21107001064	Underside face plate of oven	2		
3	21207001010	Oven door assembly	2	755*460*52	
4	301140008	Oven thermostat valve knob	2		
5	301140001	Kirsite knob	6		
6	301081037	Galvanized hexagon head flange face self-tapping screw	44	ST4.8*12.5	
7	21107003068	Control panel	1		AGR-2B-48G R(NG/LG)
	21107014068				AGR-2B-48G L(NG/LG)
8	21207001006	Table-board front board assembly	1	1524*125*189	
9	301080002	Galvanized flange nut	8	M6	
10	301030007	Pilot light valve-double unit	1	AP6-1	
11	301040153	Gas restaurant ranges nozzle(NG)	2	NG38 Φ2.57	
	301040154	Gas restaurant ranges nozzle(LP)		LP51 Φ1.70	
12	301030002	Stopcock	6		
13	21107003067	Catch tray of gas restaurant ranges	1		
14	301070033	input pipe	1		AGR-2B-48G R(NG/LG)
	301070048				AGR-2B-48G L(NG/LG)
15	301030037	Normally open fire valve (single)	2	AP5-2	
16	301050037	Pilot fire input fire of oven (left)	1		AGR-2B-48G L(NG/LG)
	301050043	Pilot fire input fire of oven (left)	1		AGR-2B-48G R(NG/LG)
17	21107001060	Side block panel (left)	1		
18	21207003004	Upper stove body assembly	1	1520*710*200	AGR-2B-48G R(NG/LG)

	21207022004				AGR-2B-48G L(NG/LG)
19	301060003	Pilot light head	6	A73007/TipΦ4.7	
20	21107001084	Pilot light intake pipe of gas restaurant ranges (short)	1		
21	21107001085	Pilot light intake pipe of gas restaurant ranges (long)	1		
22	301020040	Burner lid	2		
23	301020041	Short ejector	1		
25	301990001	Air door cover of gas restaurant ranges	2		
26	301081002	Stainless steel cross pan head screw	2	M4*8	
28	301050034	Main fire intake pipe of stove (left)	1		AGR-2B-48G R(NG/LG)
	304050045	Main fire intake pipe of stove (left)	1		AGR-2B-48G L(NG/LG)
29	301080007	Copper nut	8	M16	
30	301050012	Copper hoop	8	Φ10	
31	301060051	Copper connector	2	1/4" to M16	
32	301020016	Octangular cooking grates	2		
33	301020042	Long ejector	1		
34	21207001001	Lower stove body assembly	1	1520*696*572	
35	21207001007	Back guard assembly	1	1524*340*967	
36	21207003008	Griddle plate accessory	1	1220*608*60	AGR-2B-48G R(NG/LG)
	21207014008				AGR-2B-48G L(NG/LG)
37	21107001071	Griddle spark air inlet (U)	4		AGR-2B-48G R(NG/LG)
	21107001073	Griddle spark air inlet (I)			AGR-2B-48G L(NG/LG)
38	301030001	Normally open fire valve (single)	4	AP7-1	
39	301030038	Oven thermostat valve	2	BJWA-25PD0548	
40	301050035	Pilot fire intake pipe of stove (right)	1		AGR-2B-48G L(NG/LG)

	301050042	Pilot fire intake pipe of stove (right)	1		AGR-2B-48G R(NG/LG)
41	301050040	Z-shape adapter	4		
42	301040028	Griddle I-shaped burner nozzle (NG)	1	NG45 $\Phi$ 2.1	
	301040029	Griddle I-shaped burner nozzle (LP)		LP54 $\Phi$ 1.45	
43	301050038	Pilot fire inlet tube of stove(right)	1		AGR-2B-48G L(NG/LG)
	301050044	Pilot fire inlet tube of stove(right)	1		AGR-2B-48G R(NG/LG)
44	301040026	Griddle U-shaped burner nozzle (NG)	3	NG42 $\Phi$ 2.3	
	301040027	Griddle U-shaped burner nozzle (LP)		LP52 $\Phi$ 1.6	
45	301060001	Needle type pressure measuring connector	1	NPT 1/8"-27	
46	301060002	Needle type pressure measuring connector screw	1	M5*23	
47	301010012	I-shaped burner	1		
48	301010007	U-shaped burner	3		
49.1	301990036	wheels without brake	2		
49.2	301990035	wheels with brake	2		
50	301010011	Stove burner	2		
51	21107001061	Side block panel (right)	1		
52	21107001062	Radiant panel of stove	2		
53	21407001005	Stove base plate	2		
54	301100012	Stove net rack	4		
55	301030039	Oven safety valve	2	TS11J-3211-1-0	
56	301060053	Copper nut	4	M10	
57	301050039	Copper hoop	4	$\Phi$ 6	
58	301060054	Copper connector	4	7/16" to M10	
59	301030041	Kindling support (NG)	2		
	301030042	Kindling support(LP)			
60	301030049	Thermocouple	2		
61	301050036	Pilot fire exit tube of stove	2		
62	301060052	Copper connector	4	11/16" to M16	
63	21107001072	Main fire intake pipe of stove	2		
64	301050014	Male copper elbow	2	M16 to 3/8"-27UNS	

65	<a href="#">301080008</a>	Bronze locknut	2		
66	<a href="#">301040030</a>	Oven burner nozzle(NG)	2	NG39 Φ2.5	
	<a href="#">301040027</a>	Oven burner nozzle(LP)		LP52 Φ1.6	

### Appendix 3. Accessories List

#### AGR-2B-48GR(NG/LG)/AGR-2B-48GL(NG/LG)

Accessory	Accessory No.	Quantity of accessories
wheels without brake	<a href="#">301990036</a>	2 pcs
wheels with brake	<a href="#">301990035</a>	2 pcs
Underside face plate of stove	<a href="#">21107001064</a>	2 pcs
Stove net rack	<a href="#">301100012</a>	4 pcs
Rear panel assembly of stove	<a href="#">21207001007</a>	1 pc
Galvanized hexagon head flange face self-tapping screw	301081037	21 pcs
M6*12 stainless steel hexagon bolt	<a href="#">301081019</a>	2 pcs
M6 galvanized flat gasket	<a href="#">301082001</a>	2 pcs
M6 stainless steel spring washer	<a href="#">301082018</a>	2 pcs
Pressure maintaining valve	<a href="#">301030011</a> (natural gas)	1 pc
	<a href="#">301030013</a> (liquefied gas)	
Instructions and attached drawings		1 pc

Our products have the advantages of good durability and low maintenance charge. But to update some components and necessary maintenance, can prolong life length of the products. Contact the dealer for assistance. To avoid confusion, please follow the format of “Appendix 2. Explosive view of product and parts” in this manual.