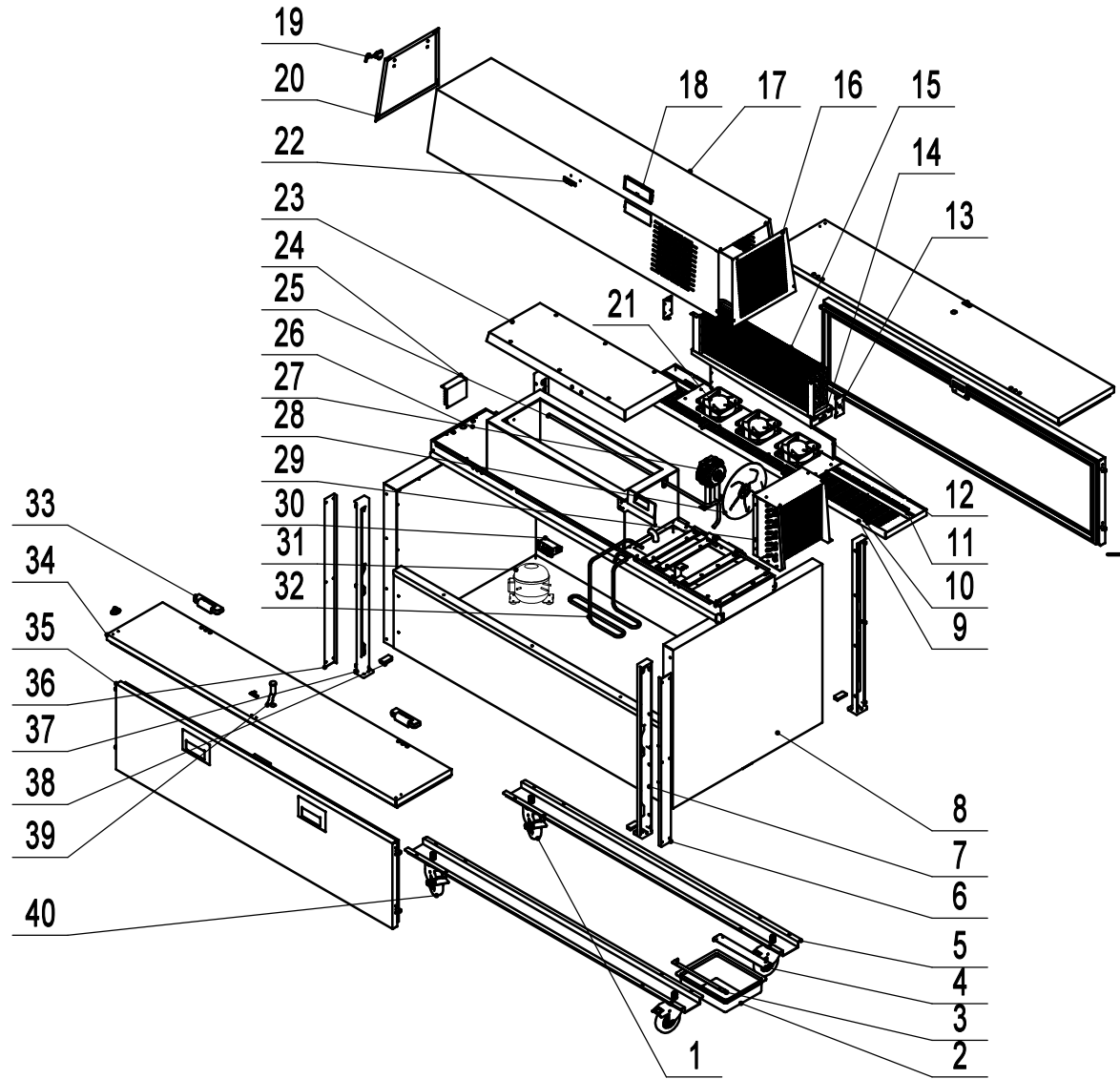


AMC-4902

REV 10.2024

A	38	R0401000039	W0415766	Rubber pad	4
	37	R06099000147	W0604A41	Left Chute	2
	36	AMC5802109014	N/A	Left Chute Blocker	1
	35	AMC4902221000	N/A	Front Door Foam Assembly	2
B	34	AMC4902221010	N/A	Vertical Swing Door Foam Assembly	2
	33	R06006000014	W0604A47	Hinge	4
	32	R02015001055	W0210W28	Discharge Tube	1
	31	R02000000007	W0201042	Compressor	1
	30	R03002000042	W0302173	Temp Controller	1
	29	R02005000066	W02037649	Condenser Coil	1
	28	R03000000018	W0301061	Fan Blade	1
	27	R03001000080	W0301047	Condenser Fan Motor	1
	26	AMC4902224000	N/A	Evaporation Tank Assembly	1
	25	R02015001126	W0210W38	Suction Tube	1
C	24	R03024000010	W0399177	Power Supply/Transformer	1
	23	AMC5802124000	N/A	Evap Top Cover	1
	22	R06099000146	W0604A40	Silver Copper Bead	2
	21	R03001000015	W0301112	Evap Fan Motor	3
	20	AMC5802109002	N/A	Left Side Evap Cover Plate	1
	19	R06099000150	W0604A45	Stainless Steel Hook	2
	18	R04011000113	W0409901	Controller Cover	1
	17	AMC4902109000430	N/A	Evap Cover	1
	16	AMC5802109001	N/A	Right Side Evap Cover Plate	1
	15	R02002000158	N/A	Evap Coil	1
D	14	AMC5802109003	N/A	Evap Drain Pan	1
	13	AMC5802104000	N/A	Evap Fixing Plate	2
	12	AMC5802109005	N/A	Stack Duct Diverter	1
	11	AMC4902109003430	N/A	Air Deflector Diverter	1
	10	AMC5802109010430	N/A	Evap Fan Fixing Plate	1
	9	AMC4902109001430	N/A	Air Deflector	1
	8	AMC4902206000	N/A	Cabinet Assembly	1
	7	R06099000148	W0604A42	Right Chute	2
	6	AMC5802109013	N/A	Right Chute Blocker	2
	5	AMC4902109005500	N/A	Base Support	2
D	4	AMC5802109016	N/A	Drain Pan Back Fastner	1
	3	AMC5802109015	N/A	Drain Pan Front Fastner	1
	2	R04013000015	W0411216	Drain Pan	1
	1	R06001000010	B0604413	4" M14 Stem Caster W/O Brake	2



40	N/A	B0604421	4" M14 Stem Caster W/ Brake	2
39	R06099000365	N/A	Vertical Swing Door Lock	2

No.	Part #	Old Part #	Part Name	Qty
-----	--------	------------	-----------	-----

1 2 3 4 5 6