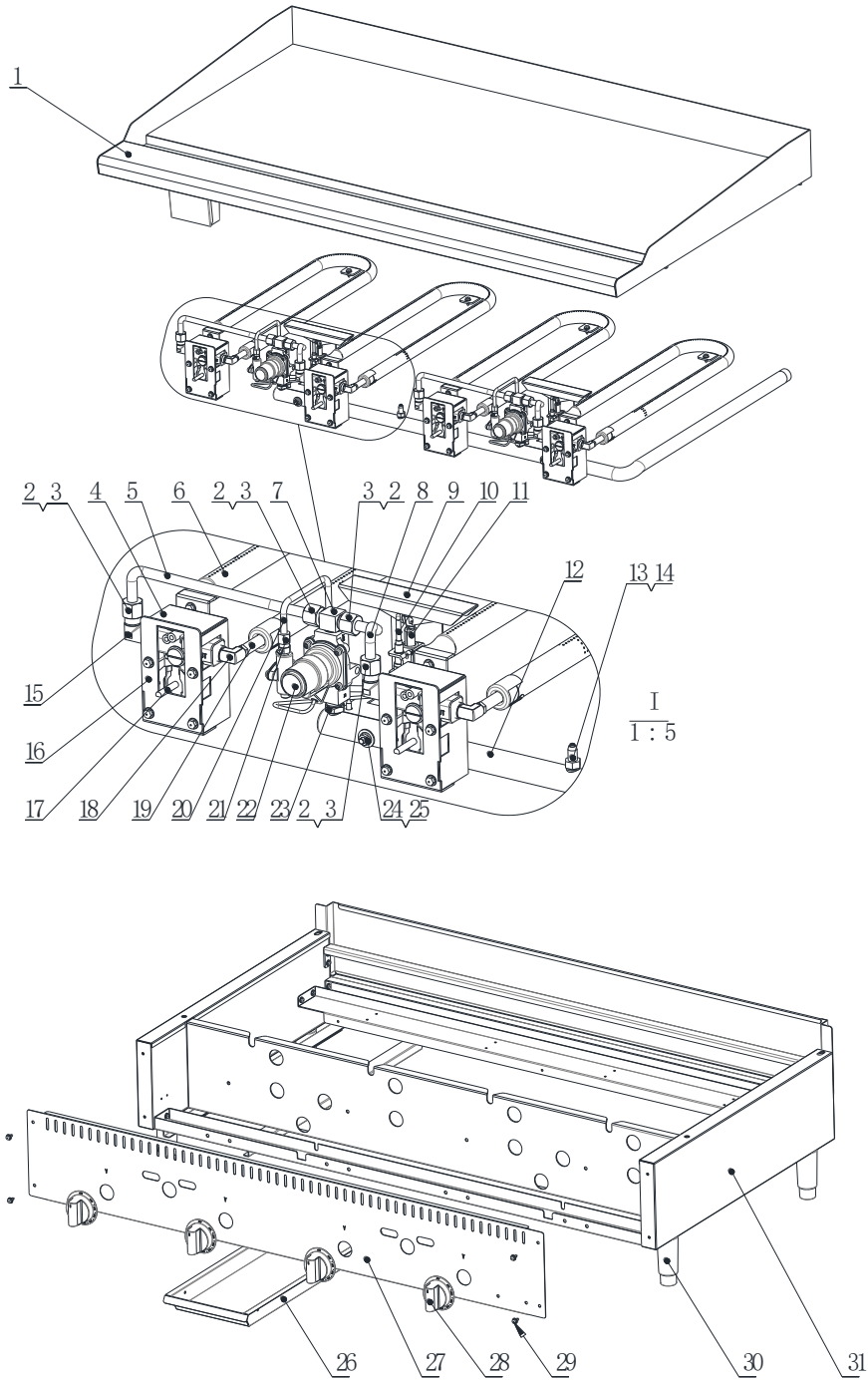


⚠ The use of parts provided by other companies, our company has the right not to provide warranty service;

⚠ Order replacement parts from authorized representatives and after-sale service agency.

⚠ Provide the model number, serial number and description when you order components.



No.	Matters Code	Component name	Qty	Dimensions (mm)/Model	Remark
1	21202001009	countertop	1	610*700*218	ATMG-24T

	21202002008			910*700*218	ATMG-36T
	21202003008			1220*700*218	ATMG-48T
2	301050012	Copper hoop	4	Φ10	ATMG-24T
			6		ATMG-36T
			8		ATMG-48T
3	301080007	Copper nut	4	M16	ATMG-24T
			6		ATMG-36T
			8		ATMG-48T
4	21102003039	temperature control valve box	2		ATMG-24T
			3		ATMG-36T
			4		ATMG-48T
5	301050065	Main fire intake pipe (left)	1	Φ10 bellows	ATMG-24T
			1		ATMG-36T
			2		ATMG-48T
6	301010015	U-type burner	2		ATMG-24T
			3		ATMG-36T
			4		ATMG-48T
7	301050063	tee	1	3/8" to M16	ATMG-24T
			1		ATMG-36T
			2		ATMG-48T
8	301050066	Main fire intake pipe (right)	1	Φ10 bellows	ATMG-24T
			2		ATMG-36T
			2		ATMG-48T
9	21102003038	the pilot assemblies stator	1		ATMG-24T
			2		ATMG-36T
			2		ATMG-48T
10	301030053	Thermocouple	1		ATMG-24T
			2		ATMG-36T
			2		ATMG-48T

11	301030059	the pilot assemblies(NG) or the pilot	1		ATMG-24T
	Or		2		ATMG-36T
	301030060		2		ATMG-48T
12	301070063	intake-tube	1		ATMG-24T
	301070064				ATMG-36T
	301070065				ATMG-48T
13	301060001	Needle type pressure joint	1	1/8"-27NPT	ATMG 24T/ 36T/48T
14	301060002	Needle type pressure joint screw arbor	1	M5*23	ATMG 24T/ 36T/48T
15	301050068	Male copper elbow	2	3/8" to M16	ATMG-24T
			3		ATMG-36T
			4		ATMG-48T
16	21102003040	temperature control valve stator	2		ATMG-24T
			3		ATMG-36T
			4		ATMG-48T
17	301030052	temperature control valve	2		ATMG-24T
			3		ATMG-36T
			4		ATMG-48T
18	301050067	Male copper elbow	2	3/8" to 3/8"UNS	ATMG-24T
			3		ATMG-36T
			4		ATMG-48T
19	301040044 (NG)	nozzle(NG)	2	NG42 LP53	ATMG-24T
	301040045 (LP)	nozzle(LP)	3		ATMG-36T
			4		ATMG-48T
20	301050064	Pilot fire input fire	1	Φ6.35 bellows	ATMG-24T
			2		ATMG-36T
			2		ATMG-48T
21	301030037	Pilot light valve-single unit	1	AP5-2	ATMG-24T
			2		ATMG-36T
			2		ATMG-48T

22	301030051	safety valve	1	H15AB-6	ATMG-24T
			2		ATMG-36T
			2		ATMG-48T
23	301050061	Copper connector	1	1/8" to 3/8"	ATMG-24T
			2		ATMG-36T
			2		ATMG-48T
24	301080002	Galvanized flange nut	2	M6	ATMG 24T/ 36T/48T
25	301082001	Galvanized flat grommet	2	φ6*φ10	ATMG 24T/ 36T/48T
26	21102001021	Catch tray	1	490*196*25	ATMG 24T/ 36T/48T
27	21102001037	Control panel	1	605*185	ATMG-24T
	21102002034			905*185	ATMG-36T
	21102003037			1215*185	ATMG-48T
28	301140013	knob	2		ATMG-24T
			3		ATMG-36T
			4		ATMG-48T
29	301081006	Galvanized American outside six corner with pad tapping	18	ST4.8*12.5	ATMG 24T/ 36T/48T
			26		
			32		
30	301110001	Adjustable counter top steel legs	4	φ41.5*100	ATMG 24T/ 36T/48T
31	21202001010	bottom border package	1	610*670*257	ATMG-24T
	21202002009			910*670*257	ATMG-36T
	21202003010			1220*670*257	ATMG-48T

Accessories List

<div style="display: flex; justify-content: space-between;"> Model Qty </div> <div style="display: flex; justify-content: space-between;"> Name </div>	ATMG-24T	ATMG-36T	ATMG-48T
Adjustable steel legs	4 pieces (301110001)	4 pieces (301110001)	4 pieces (301110001)
Catch tray	1 pieces (21102001021)	1 pieces (21102001021)	1 pieces (21102001021)
Pressure maintaining valve	1 pieces (301030014)	1 pieces (301030014)	1 pieces (301030014)
Nozzle	2 pieces (NG42: 301040044) or (LP53: 301040045)	3 pieces (NG42: 301040044) or (LP53: 301040045)	4 pieces (NG42: 301040044) or (LP53: 301040045)
Pilot orifice	2 pieces (N26: 301040101) or (LP16: 301040102)	3 pieces (N26: 301040101) or (LP16: 301040102)	4 pieces (N26: 301040101) or (LP16: 301040102)
Instructions	1 piece (304080357)	1 piece (304080357)	1 piece (304080357)