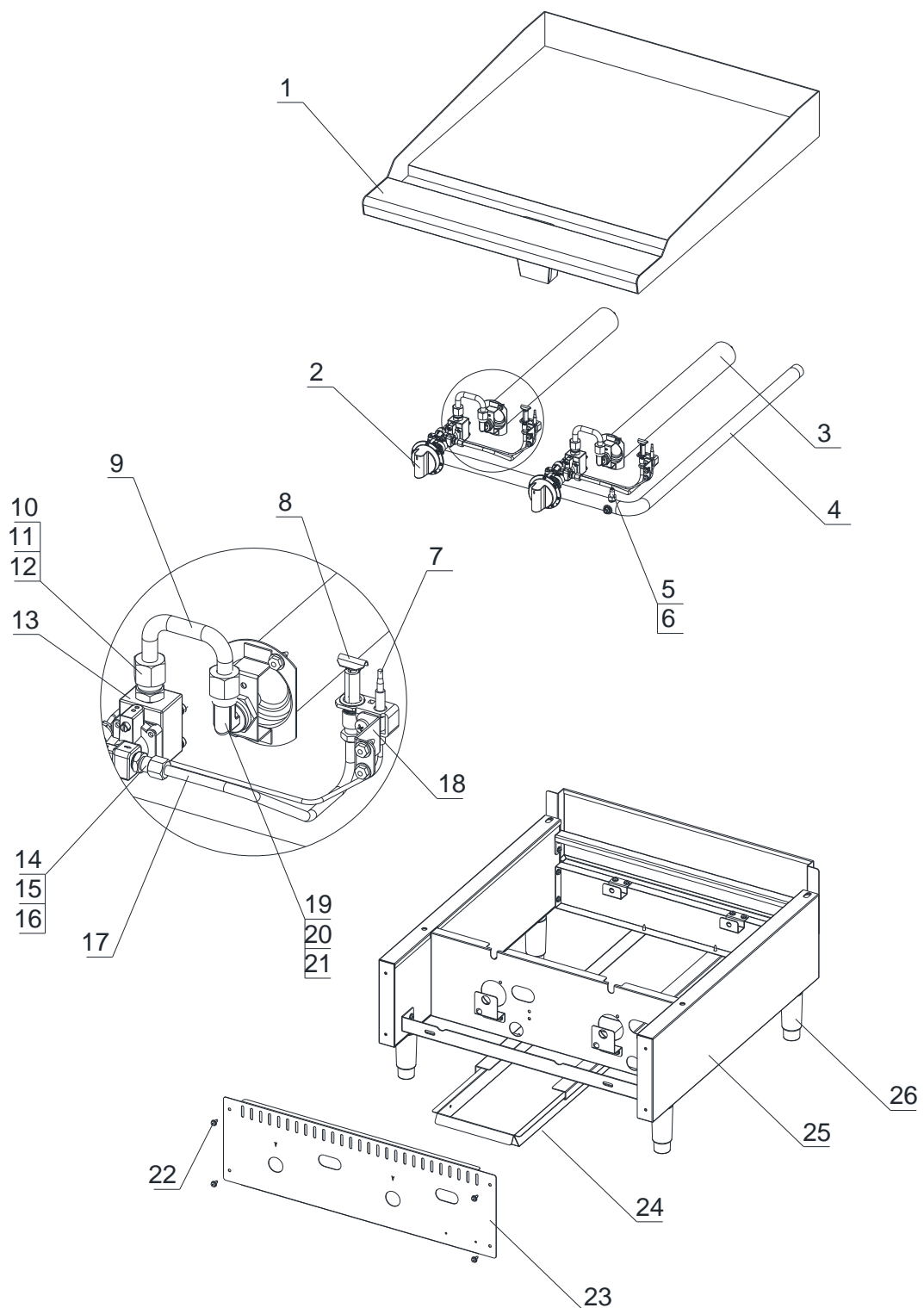


- ⚠ The use of parts provided by other companies, our company has the right not to provide warranty service;
- ⚠ Order replacement parts from authorized representatives and after-sale service agency.
- ⚠ Provide the model number, serial number and description when you order components.



No.	Matters Code	Component name	Qty	Dimensions (mm) /Model	Remark
1	21202001013	countertop	1	610*700*218	ATTG-24
	21202002013			910*700*218	ATTG-36
	21202003013			1220*700*218	ATTG-48
2	301140025	knob	2		ATTG-24
			3		ATTG-36
			4		ATTG-48
3	301010017	burner	2		ATTG-24
			3		ATTG-36
			4		ATTG-48
4	301070075	intake-tube	1		ATTG-24
	301070076				ATTG-36
	301070077				ATTG-48
5	301060001	Needle type	1	1/8"-27NPT	ATTG-24\36\48
6	301060002	Needle type	1	M5*23	ATTG-24\36\48
7	301030092	Thermocouple	2	M9*P1.0 L=450mm	ATTG-24
			3		ATTG-36
			4		ATTG-48
8	301030056 Or 301030057	the pilot assemblies (NG) or the pilot assemblies (LP)	2		ATTG-24
			3		ATTG-36
			4		ATTG-48
9	301050118	Main fire intake pipe	2	Φ10 bellows	ATTG-24
			3		ATTG-36
			4		ATTG-48
10	301080007	Copper nut	4	M16	ATTG-24
			6		ATTG-36
			8		ATTG-48
11	301050012	Copper hoop	4	Φ10	ATTG-24
			6		ATTG-36
			8		ATTG-48

12	301060051	Copper connector	4	1/4" to M16	ATTG-24
			6		ATTG-36
			8		ATTG-48
13	301030075	temperature control valve	2	ABJC	ATTG-24
			3		ATTG-36
			4		ATTG-48
14	301060096	Copper connector	2	1/8" to M10	ATTG-24
			3		ATTG-36
			4		ATTG-48
15	301050039	Copper hoop	2	Φ6	ATTG-24
			3		ATTG-36
			4		ATTG-48
16	301060053	Copper nut	2	M10	ATTG-24
			3		ATTG-36
			4		ATTG-48
17	301050119	Pilot fire input fire	2	Φ6.35 bellows	ATTG-24
			3		ATTG-36
			4		ATTG-48
18	21102001053	the pilot assemblies stator	2		ATTG-24
			3		ATTG-36
			4		ATTG-48
19	301050014	Male copper elbow	2	M16 to 3/8"-27UNS	ATTG-24
			3		ATTG-36
			4		ATTG-48
20	301080008	Bronze locknut	2	M18	ATTG-24
			3		ATTG-36
			4		ATTG-48
21	301040151 Or 301040005	burner nozzle(NG) Or burner nozzle(LP)	2	N42 Or LP53	ATTG-24
			3		ATTG-36
			4		ATTG-48

22	301081006	Galvanized American outside six corner with pad	12	ST4.8*12.5	ATTG-24
			16		ATTG-36
			20		ATTG-48
23	21102001052 21102002047 21102003049	Control panel	1	605*185 905*185 1215*185	ATTG-24
					ATTG-36
					ATTG-48
24	21102001021	Catch tray	1	490*196*25	ATTG-24\36\48
25	21202001014 21202002014 21202003014	bottom border package	1	610*670*257 910*670*257 1220*670*257	ATMG-24
					ATMG-36
					ATMG-48
26	301110001	Adjustable	4	φ 41.5*100	ATMG-24\36\48

### Accessories List

Name	Model	ATTG-24	ATTG-36	ATTG-48
	Qty			
Adjustable steel legs		4 pieces (301110001)	4 pieces (301110001)	4 pieces (301110001)
Catch tray		1 pieces (21102001021)	1 pieces (21102001021)	1 pieces (21102001021)
Pressure maintaining valve		1 pieces (301030014)	1 pieces (301030014)	1 pieces (301030014)
Nozzle		2 pieces (N42: 301040151) or (LP53: 301040005)	3 pieces (N42: 301040151) or (LP53: 301040005)	4 pieces (N42: 301040151) or (LP53: 301040005)
Pilot orifice		2 pieces (N18: 301040105) or (LP12: 301040109)	3 pieces (N18: 301040105) or (LP12: 301040109)	4 pieces (N18: 301040105) or (LP12: 301040109)
Instructions		1 piece (304080357)	1 piece (304080357)	1 piece (304080357)