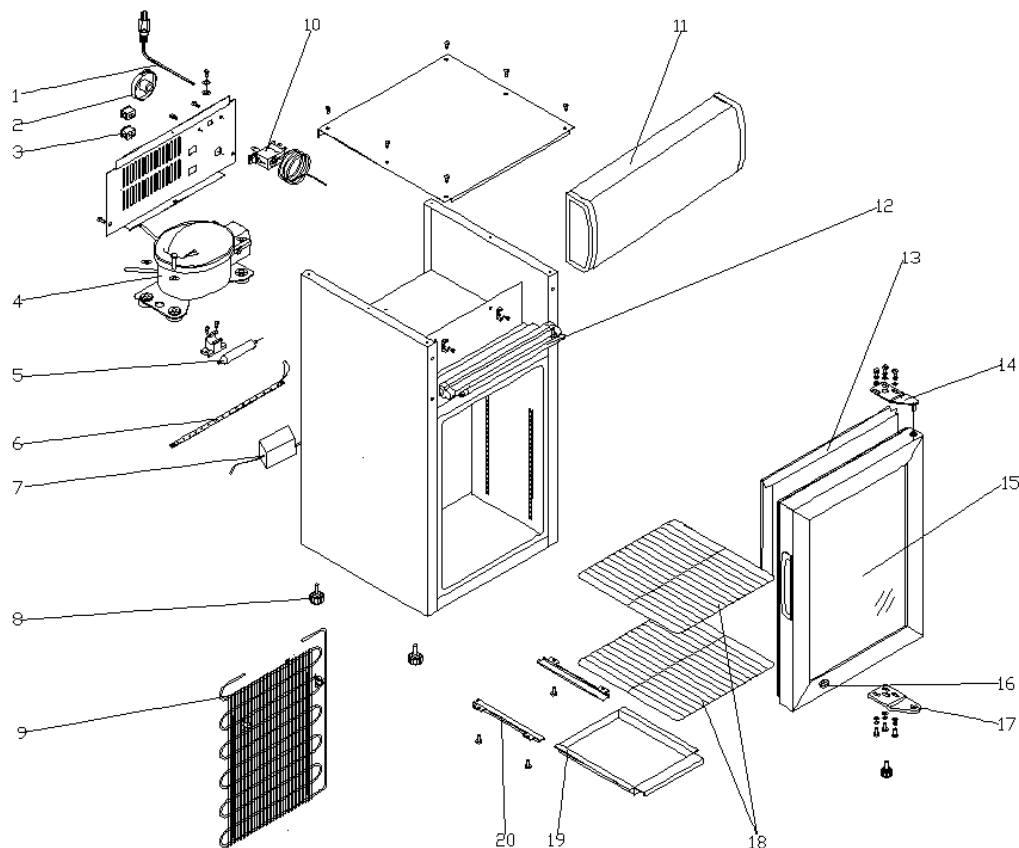


--Exploded view of CTD-3S



--Part list of CTD-3S

No in explode view	Part number	Description	Qty.	
1	CTD009	Power line (JT-3)	1	
2	CTD021	Thermostat knob	1	
3	CTD003	ON/OFF button	2	
4	CTD022	Compressor (UKN60YA)	1	
5	CTD005	Filter (Ø16 * 30)	1	
6	CTD023	Led lamp	1	
7	CTD006	Constant current power supply	1	AC85v-265v-15D
8	CTD010	Base foot	4	
9	CTD024	Condenser	1	
10	CTD002	Thermostat (WP1)	1	
11	CTD025	Lamp plate	1	
12	CTD026	Lamp	1	
13	CTD027	Door seal	1	
14	CTD028	Hinge upper	1	
15	CTD029	Door	1	
16	CTD018	Lock	1	
17	CTD030	Hinge down	1	
18	CTD031	Shelf	3	
19	CTD032	Water receiving plate	1	
20	CTD033	Guide	2	