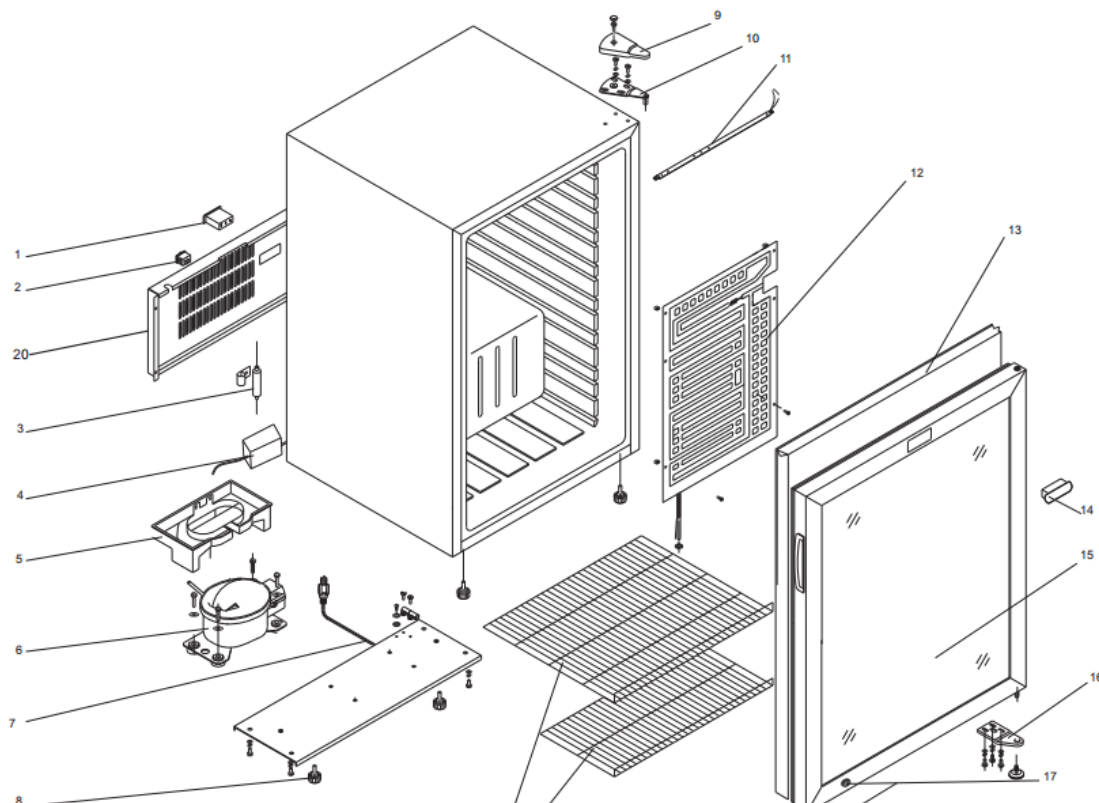


Technical Service Information

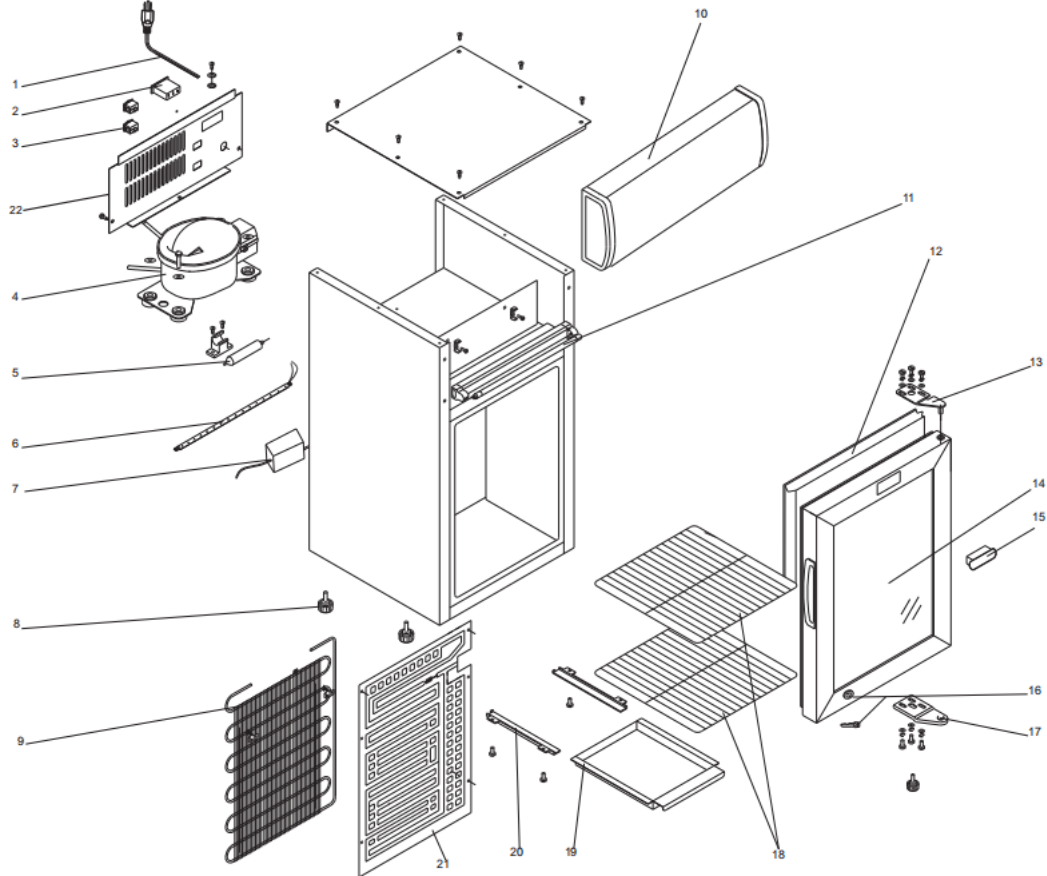
--Exploded view of CTD-3T



--Part list of CTD-3T

No.	Part number	Description	Qty.
1	CTD050	Controller	1
2	CTD003	Power Switch	1
3	CTD005	Drier Filter	1
4	CTD065	Power supply/Trasformer	1
5	CTD066	Condensation Drain Pan	1
6	CTD008	Compressor (UKN43YA)	1
7	CTD009	Power Cord/Plug (JT-3)	1
8	CTD010	Adjustable foot	4
9	CTD011	Hinge cover	1
10	CTD012	Top Hinge	1
11	CTD013	Led lamp	1
12	CTD014	Evaporator	1
13	CTD015	Door gasket	1
14	CTD051	Temperature display	1
15	CTD053	Door	1
16	CTD017	Bottom Hinge	1
17	CTD018/CTD052	Lock/Key	1
18	CTD019	Shelf bottom	1
19	CTD020	Shelf top	2
20	CTD056	Back cover	1

--Exploded view of CTD-3ST

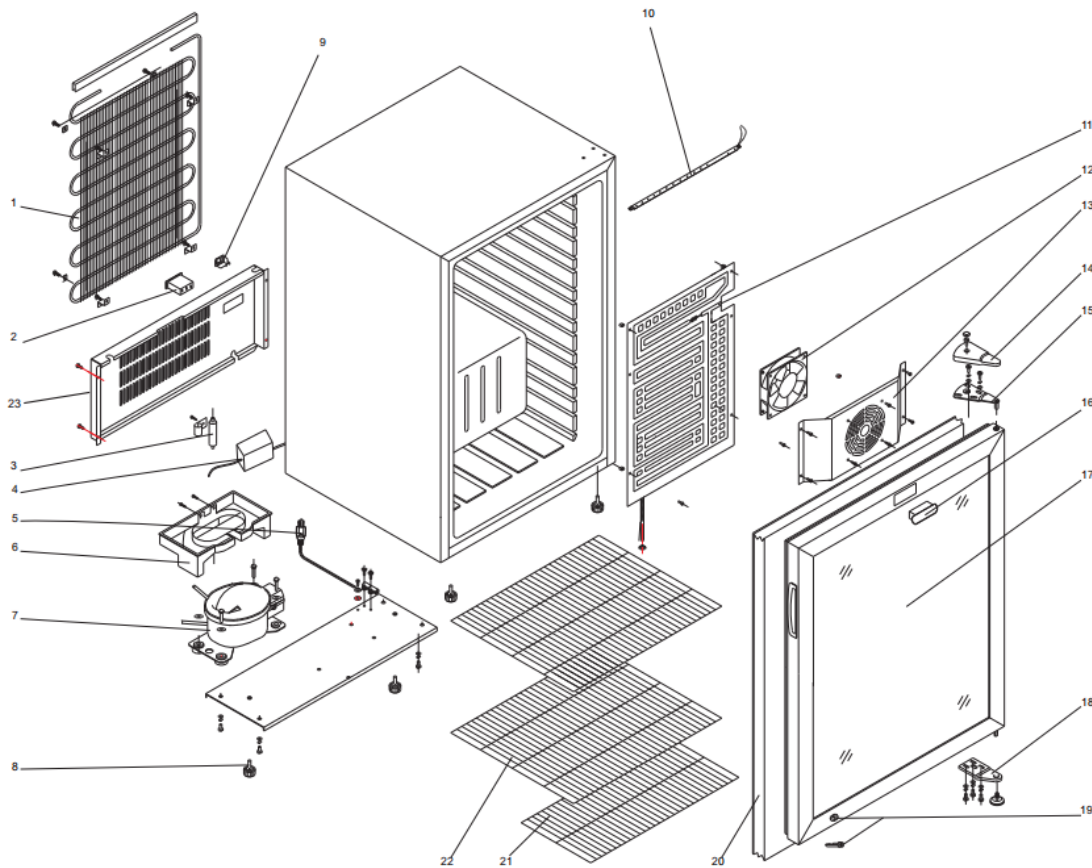


--Part list of CTD-3ST

No in explode view	Part number	Description	Qty.
1	CTD009	Power Cord/Plug (JT-3)	1
2	CTD050	Controller	1
3	CTD003	ON/OFF Switch	2
4	CTD022	Compressor(UKN60YA)	1
5	CTD005	Drier Filter (ø16 * 30)	1
6	CTD023	Led lamp	1
7	CTD065	Power supply/Transformer	1
8	CTD010	Base foot	4
9	CTD024	Condenser	1
10	CTD025	LED Panel	1
11	CTD026	LED Lamp	1
12	CTD027	Door seal	1
13	CTD028	Top Hinge	1
14	CTD054	Door	1
15	CTD051	Temperature display	1
16	CTD018/CTD052	Lock / Key	1
17	CTD030	Bottom Hinge	1
18	CTD031	Shelf	3
19	CTD032	Condensation drain pan	1

20	CTD033	Guide	2
21	CTD037	Evaporator	1
22	CTD057	Back cover	1

--Exploded view of CTD-5T



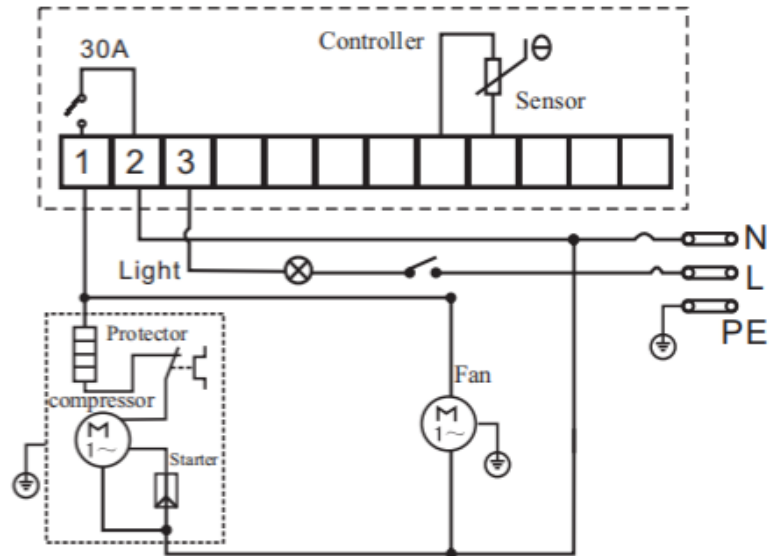
--Part list of CTD-5T

No in explode view	Part number	Description	Qty.
1	CTD034	Condenser	1
2	CTD050	Controller	1
3	CTD005	Drier filter (Ø16 * 30)	1
4	CTD065	Power supply/Transformer	1
5	CTD009	Power cord/Plug (JT-3)	1
6	CTD007	Condensation drain pan	1
7	CTD022	Compressor(UKN60YA)	1
8	CTD010	Adjusted foot	4
9	CTD003	ON/OFF switch	1
10	CTD036	Led lamp	1
11	CTD049	Evaporator	1
12	CTD038	Fan	1
13	CTD039	Fan cover	1
14	CTD011	Hinge cover	1
15	CTD041	Top Hinge	1
16	CTD051	Temperature display	1
17	CTD055	Door	1
18	CTD043	Bottom Hinge	1
19	CTD018/CTD052	Lock /Key	1
20	CTD044	Door gasket	1

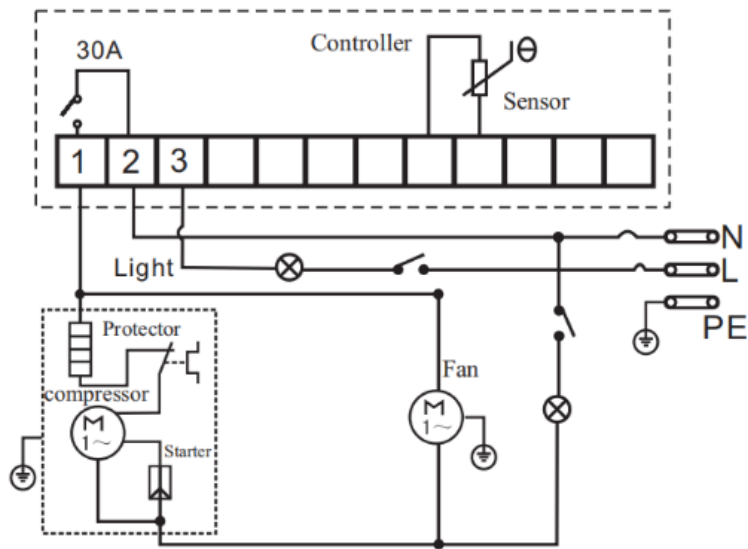
21	CTD063	Shelf bottom	1
22	CTD064	Shelf top	3
23	CTD058	Back cover	1

--Electric Connection Diagram

CTD-3T Diagram



CTD-3ST Diagram



CTD-5T Diagram

