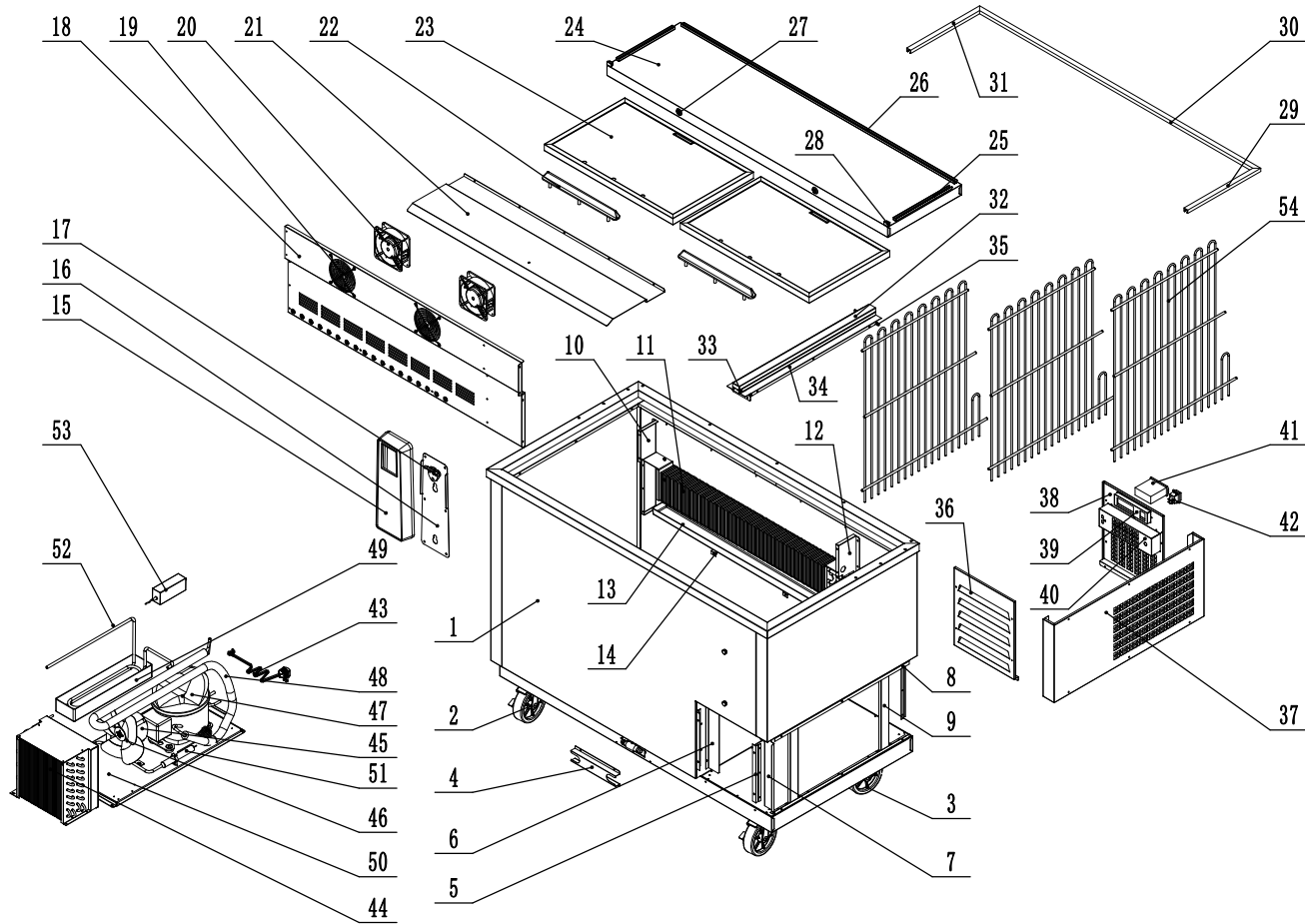


MBC50GRAUS1

2025. 2. 13



NO.	Part#	Part Name	Qty
1		Cabinet Assembly	1
2	R06001000016	3'' Plate Caster W/ Brake	2
3	R06001000015	3'' Plate Caster W/O Brake	2
4	MKC0058106015430	Tee Drain Pipe Cover	1
5	MBC0050112003500	Front Air Vent Frame Support	4
6	MBC0050103002500	Condenser Air Baffle	1
7	MBC0050103001500	Right Condenser Air Baffle	1
8	MBC0050106011500	Right Air Vent Frame Support	2
9	MBC0050112002500	Unit Frame Support	2
10	MBC0050104002430	Evap Left Cover	1
11	R02002000020	Evaporator	1
12	MBC0050104003430	Evap Right Cover	1
13	R04013000004	Evap Drain Pan	1
14	MBC0050112006430	Evap Front Cover Bracket	2
15	R04011000032	Bottle Opener Bracket Cover	1
16	MBC0050106013500	Bottle Opener Bracket	1
17	R13999000015	Bottle Opener	1
18	MBC0051104001430	Evap Front Cover	1

NO.	Part#	Part Name	Qty
19	R06005000008	Evap Fan Guard	2
20	R03001000015	Fan Motor	2
21	MBC0050106001430	Cabinet Air Deflector	1
22	R04001000003	Handle	2
23	MBC0050201001	Sliding Lid	2
24	MBC0050225000	Counter Top Assembly	1
25	R04012000105	Short Plastic Trim Base	2
26	R04012000106	Long Plastic Trim Base	1
27	R06003000004	Lock&Key	2
28	R04011000031	Plastic Trim Base End	2
29	R04012000095	Right Short Plastic Trim	1
30	R04012000096	Long Plastic Trim	1
31	R04012000094	Left Short Plastic Trim	1
32	MBC0050105007430	Middle Plastic Trim Top Cover	1
33	R04012000097	Middle Plastic Trim	1
34	MBC0050105006430	Plastic Sliding Part	4
35	MBC0050105005430	Middle Trim Support	1
36	MBC0050111001430	Front Air Vent Cover	1

NO.	Part#	Part Name	Qty
37	MBC0050112001430	Unit Side Air Vent Cover	1
38	MBC0050106008430	Back Air Vent Cover	1
39	MBC0050106009430	Back Air Vent Controller Bracket	1
40	MKC0058106014430	Power Cord Box	1
41	R03002000042	Temp Controller	1
42	R03008000008	Power Switch	1
43	R03005000012	Power Cord	1
44	R02005000014	Condenser	1
45	R03001000100	Condenser Fan Motor	1
46	R03000000013	Condenser Fan Blade	1
47	R02000000006	Compressor	1
48	R02015000121	Suction Tube	1
49	EPF3462104015201	Condenser Drian Pan	1
50	MBC0050113002500	Condensing Unit Base Board	1
51	R02014000002	Filter Drier	1
52	R02015000120	Condenser Coil	1
53	R03024000004	Power Supply/Transformer	1
54	R06004000021	Shelf	3